



US00D876219S

(12) **United States Design Patent**
Martin et al.

(10) **Patent No.:** **US D876,219 S**
(45) **Date of Patent:** **** Feb. 25, 2020**

(54) **PACKAGE**

(71) Applicant: **Medline Industries, Inc.**, Northfield, IL (US)

(72) Inventors: **Tambra Martin**, Trevor, WI (US);
Joseph J. Ritter, Arlington Heights, IL (US)

(73) Assignee: **Medline Industries, Inc.**, Northfield, IL (US)

(**) Term: **15 Years**

(21) Appl. No.: **29/616,995**

(22) Filed: **Sep. 11, 2017**

(51) **LOC (12) Cl.** **09-03**

(52) **U.S. Cl.**
USPC **D9/432**

(58) **Field of Classification Search**
USPC D9/414-419, 420-423, 721-722,
D9/430-434; D3/290, 304, 305, 315;
D7/601, 602, 612, 709
CPC B65D 5/00; B65D 5/0015; B65D 5/061;
B65D 5/18; B65D 5/20; B65D 5/32;
B65D 5/321; B65D 5/322
See application file for complete search history.

(56) **References Cited**

U.S. PATENT DOCUMENTS

2,100,644 A * 11/1937 Groves B65D 5/6673
229/125.37

2,493,281 A 1/1950 Anderson, Jr.
(Continued)

OTHER PUBLICATIONS

Bespoke Printed Strong Solid Two Flaps Open Cardboard Gift Boxes for Perfume Packaging. Online, published date Sep. 5, 2017. Retrieved on Dec. 9, 2018 from URL: <https://www.globalsources.com/si/AS/Guangzhou-Minglai/6008852404527/pdtl/Bespoke-Printed-Strong-Solid-Two-Flaps-Open/1151507668.htm>.

com/si/AS/Guangzhou-Minglai/6008852404527/pdtl/Bespoke-Printed-Strong-Solid-Two-Flaps-Open/1151507668.htm.

(Continued)

Primary Examiner — Susan Bennett Hattan

Assistant Examiner — Omeed Agilee

(74) *Attorney, Agent, or Firm* — Fitch, Even, Tabin & Flannery LLP

(57) **CLAIM**

The ornamental design for a package, as shown and described.

DESCRIPTION

FIG. 1 is a front perspective view of a package showing a first embodiment of our new design in a closed configuration;

FIG. 2 is a front perspective view thereof in an open configuration;

FIG. 3 is a left side view thereof;

FIG. 4 is a right side view thereof;

FIG. 5 is a rear view thereof;

FIG. 6 is a front view thereof;

FIG. 7 is a top view thereof;

FIG. 8 is a bottom view thereof;

FIG. 9 is a front perspective view of a package showing a second embodiment of our new design in a closed configuration;

FIG. 10 is a front perspective view thereof in an open configuration;

FIG. 11 is a left side view thereof;

FIG. 12 is a right side view thereof;

FIG. 13 is a rear view thereof;

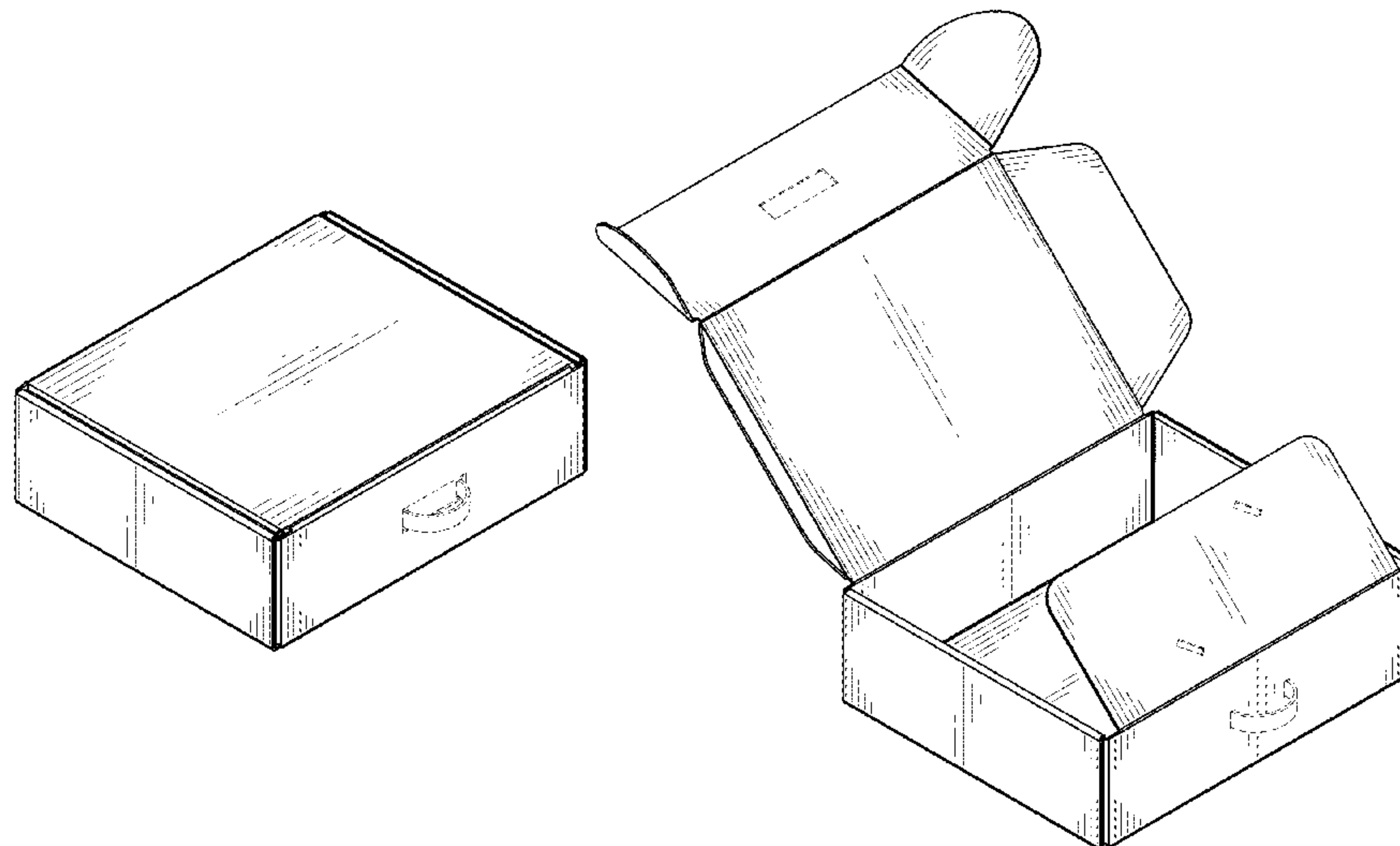
FIG. 14 is a front view thereof;

FIG. 15 is a top view thereof; and,

FIG. 16 is a bottom view thereof.

The broken lines depict portions of the package that form no part of the claimed design. The long dash-short dash broken lines along one of the end planes of the package in FIGS. 10, 14, and 15 depict break lines. The break lines and the areas between the break lines form no part of the claimed design.

1 Claim, 16 Drawing Sheets



(56)

References Cited

U.S. PATENT DOCUMENTS

2,727,675 A 12/1955 Mairs
 3,229,891 A 1/1966 Edelman
 3,250,455 A 5/1966 Plunkett
 3,253,770 A * 5/1966 Black B65D 5/0245
 206/424
 D237,144 S 10/1975 Graser
 4,380,314 A 4/1983 Langston, Jr.
 5,007,580 A * 4/1991 Morrison B65D 5/18
 229/117.17
 D348,607 S * 7/1994 Young D9/423
 D351,104 S 10/1994 Kapp
 D353,538 S * 12/1994 Jobit D9/432
 D372,670 S 8/1996 Healey
 D415,419 S * 10/1999 Abiteboul D9/423
 D417,150 S 11/1999 Shapiro
 D418,411 S 1/2000 Shapiro
 D434,981 S 12/2000 Shapiro
 D438,791 S 3/2001 Tsuruishi
 6,223,978 B1 5/2001 Drager
 6,253,993 B1 * 7/2001 Lloyd B65D 5/2047
 229/112
 6,533,166 B1 3/2003 Kaiss
 D490,703 S * 6/2004 Rusnock D9/416
 D494,061 S 8/2004 Brown
 7,021,468 B2 4/2006 Cargile, Jr.
 D612,260 S * 3/2010 Champion D9/432
 7,703,665 B2 4/2010 McGowan
 D639,157 S 6/2011 Ostergard
 D643,283 S * 8/2011 Witte D9/416
 8,196,806 B2 6/2012 Tao
 D679,582 S 4/2013 Witte
 D690,592 S * 10/2013 Ding D9/432
 D692,754 S * 11/2013 Akana D9/431
 D693,678 S 11/2013 Kanchan
 D696,107 S * 12/2013 Kimple D9/416
 8,608,050 B2 * 12/2013 Seliger B65D 5/2009
 229/117.16

D706,628 S 6/2014 Palmer
 D720,614 S 1/2015 Kim
 D734,031 S * 7/2015 Gallet D3/282
 9,073,664 B2 7/2015 Justice
 D756,560 S 5/2016 Ghiotti
 D763,683 S 8/2016 O'Neill
 9,463,897 B2 10/2016 Molina-Muntanola
 9,540,132 B1 1/2017 Lee
 D789,785 S * 6/2017 Fujiwara D9/424
 D814,925 S * 4/2018 Davidson D9/430
 D820,080 S * 6/2018 Kase D9/420
 D825,328 S * 8/2018 Simpson D9/432
 D828,156 S * 9/2018 Perella D9/432
 D829,096 S * 9/2018 Perella D9/433
 D829,097 S * 9/2018 Perella D9/433
 D833,867 S * 11/2018 Perella D9/432
 2006/0180645 A1 8/2006 Takagi
 2006/0243785 A1 11/2006 Wang
 2007/0119915 A1 * 5/2007 Liao B65D 5/0236
 229/143
 2012/0037693 A1 * 2/2012 Wong B65D 5/241
 229/186
 2017/0144793 A1 * 5/2017 Robertson B65D 5/6685

OTHER PUBLICATIONS

Business glossy packing folding gift box. Online, published date unknown. Retrieved on Dec. 9, 2018 from URL: <https://jemstone.manufacturer.globalsources.com/si/6008849665065/pdtl/Shoe-packaging/1163586830/Business-glossy-packing-folding-gift-box.htm>.
 Luxury Gift Boxes. Online, published date Aug. 12, 2017. Retrieved on Dec. 9, 2018 from URL: <https://uniqstuffs.net/luxury-gift-boxes/>.
 Valentines day boxes with red heart magnet close. Online, published date unknown. Retrieved on Dec. 9, 2018 from URL: <http://www.giftboxdesignfactory.com/valentines-day-gift-box/valentines-day-boxes.html>.

* cited by examiner

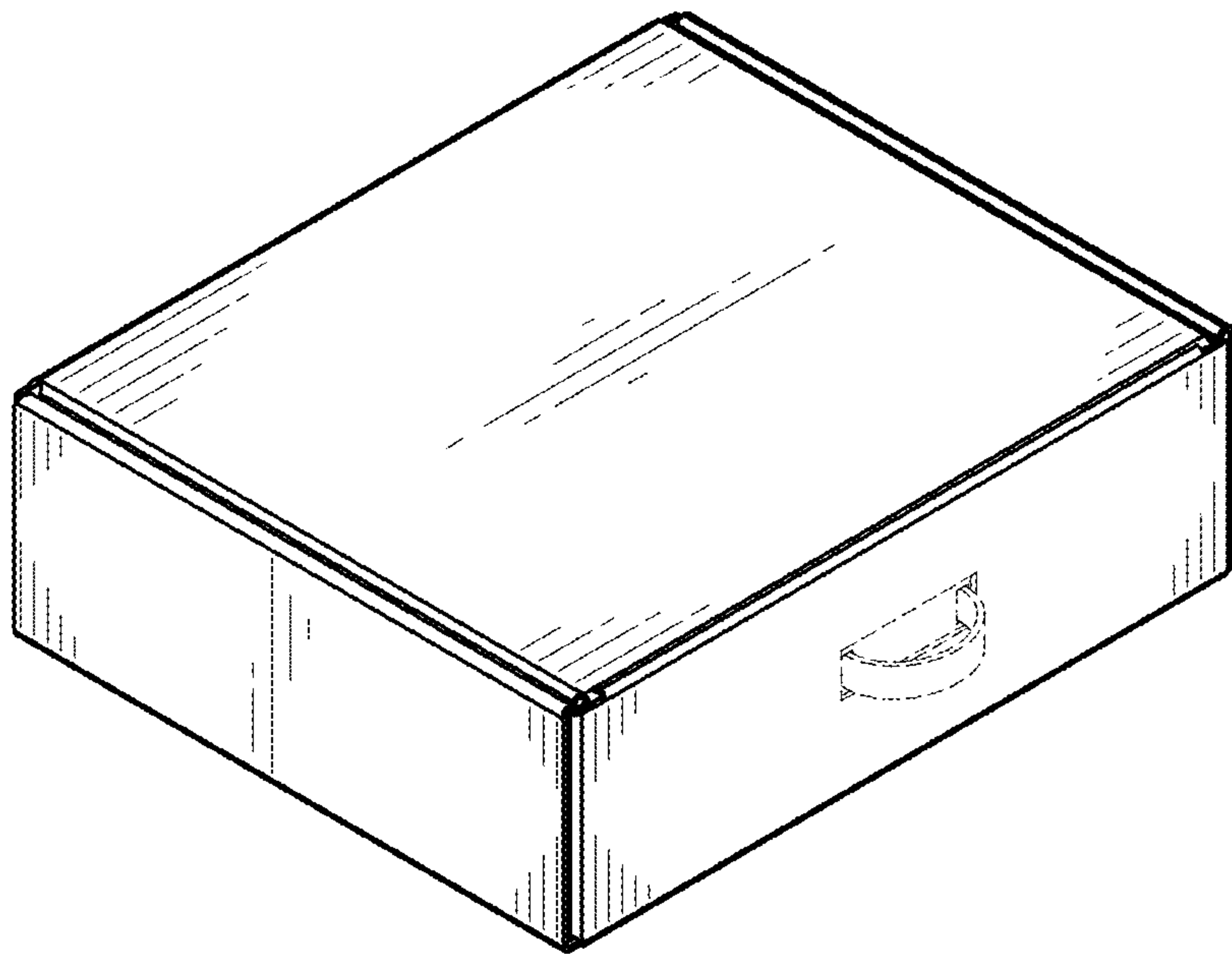


FIG. 1

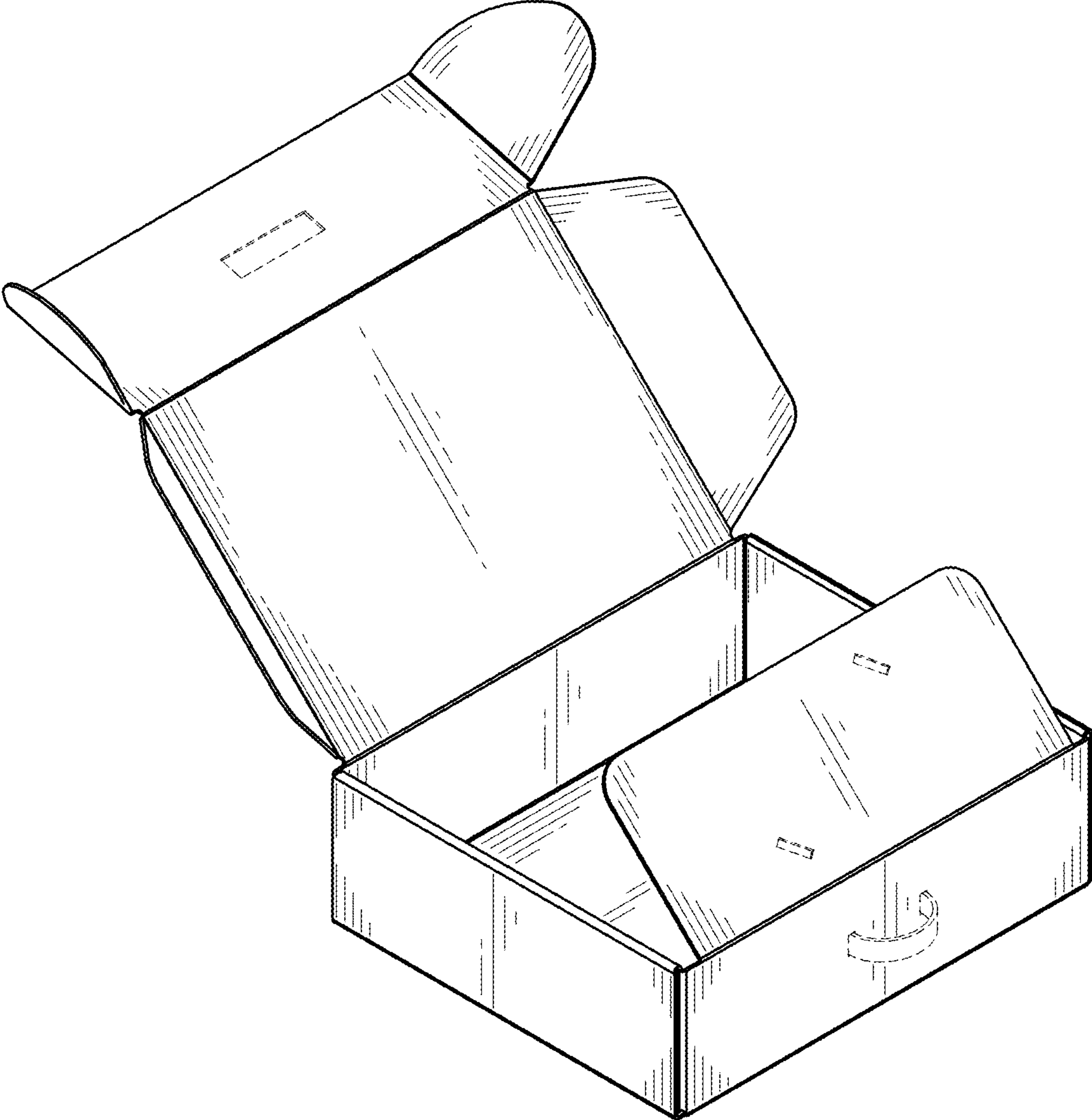


FIG. 2

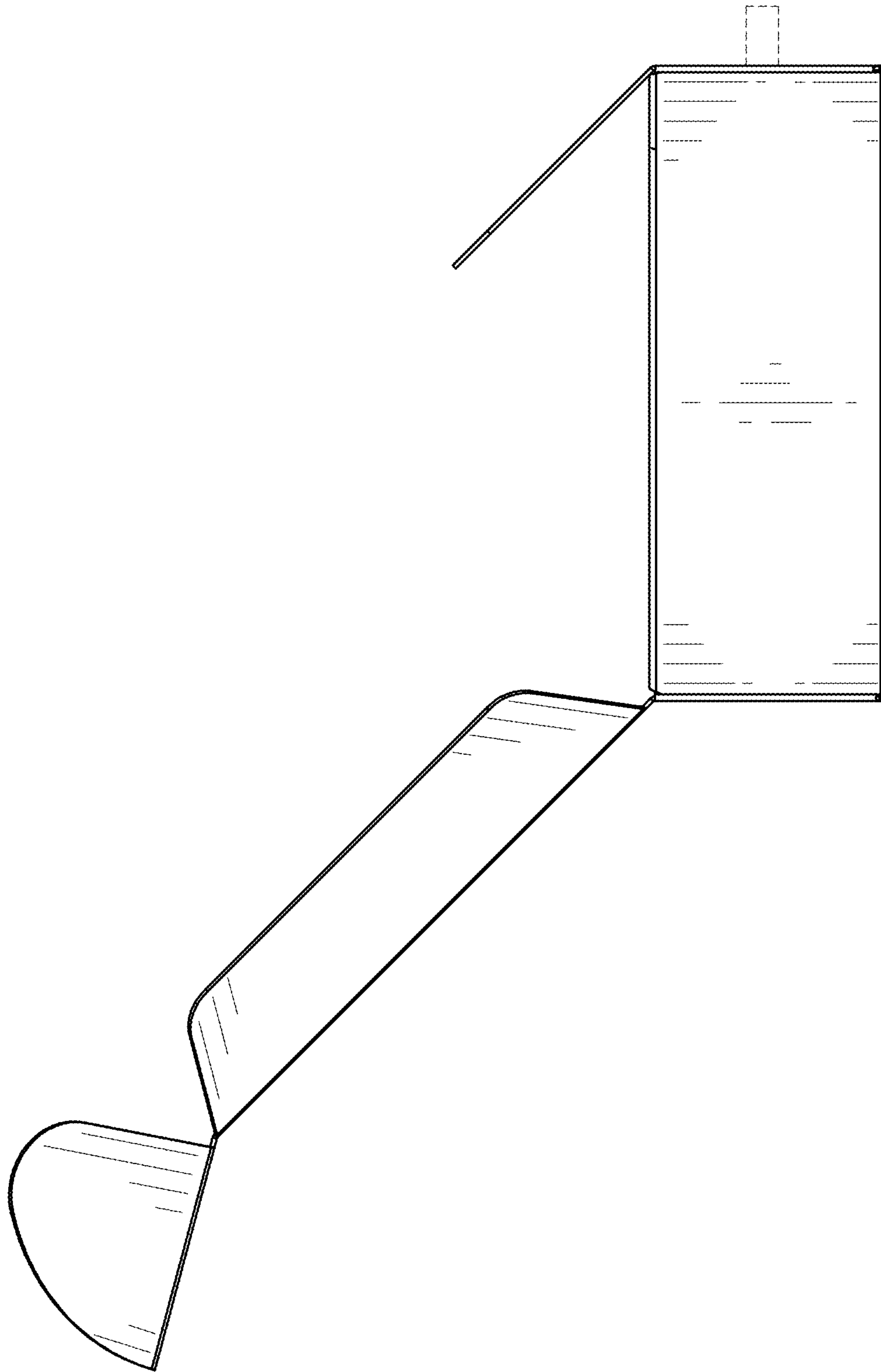


FIG. 3

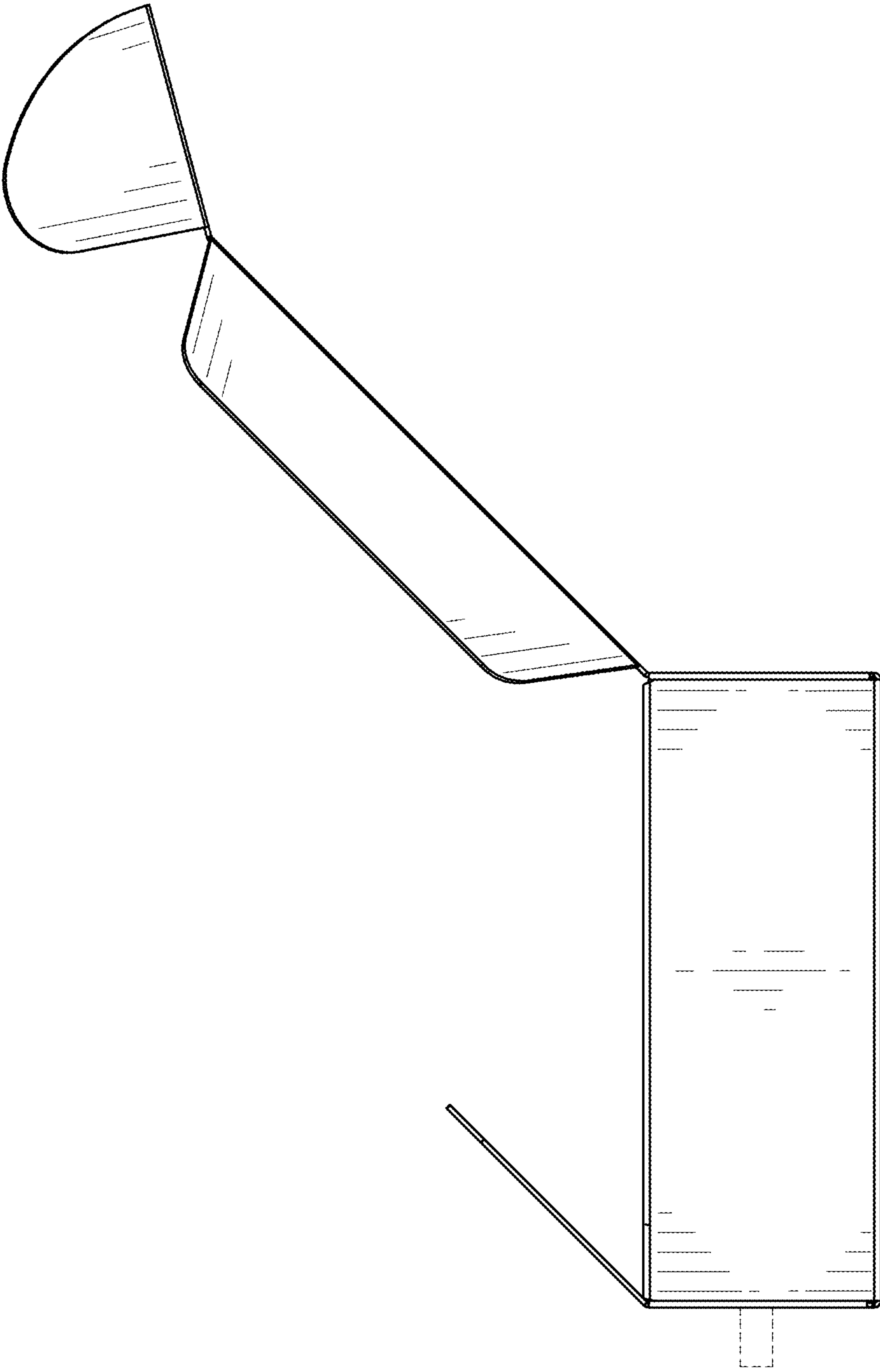


FIG. 4

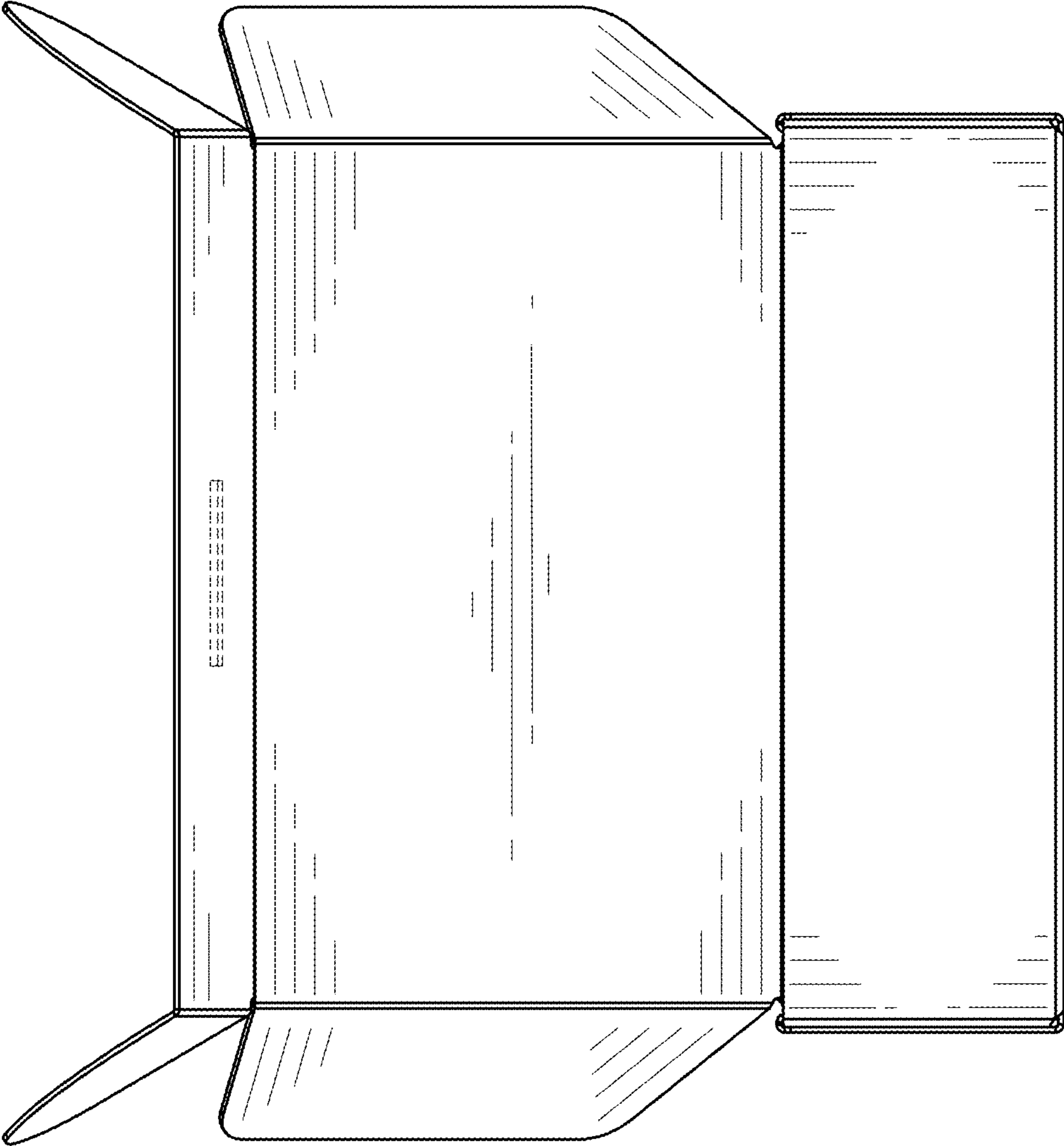


FIG. 5

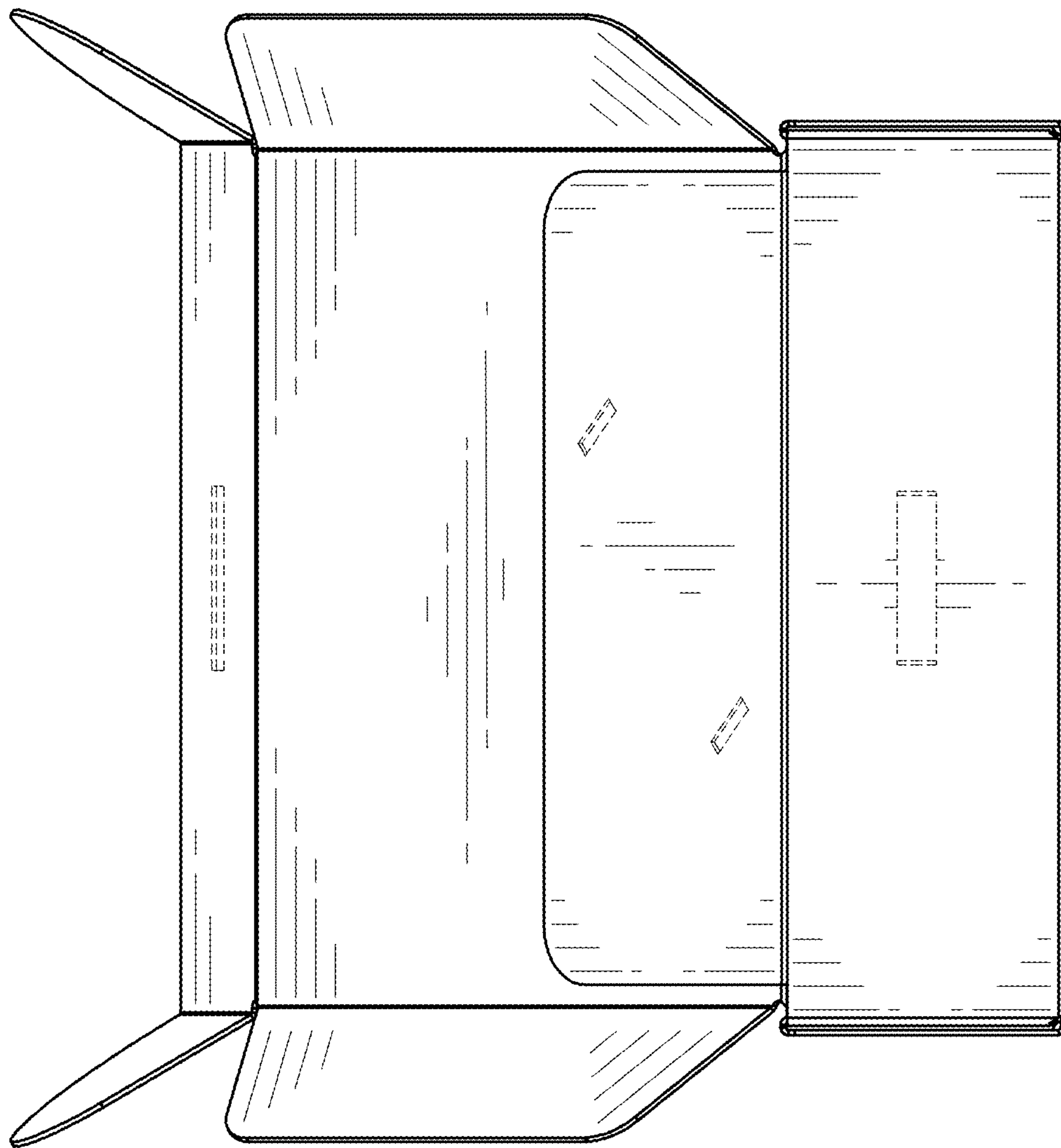


FIG. 6

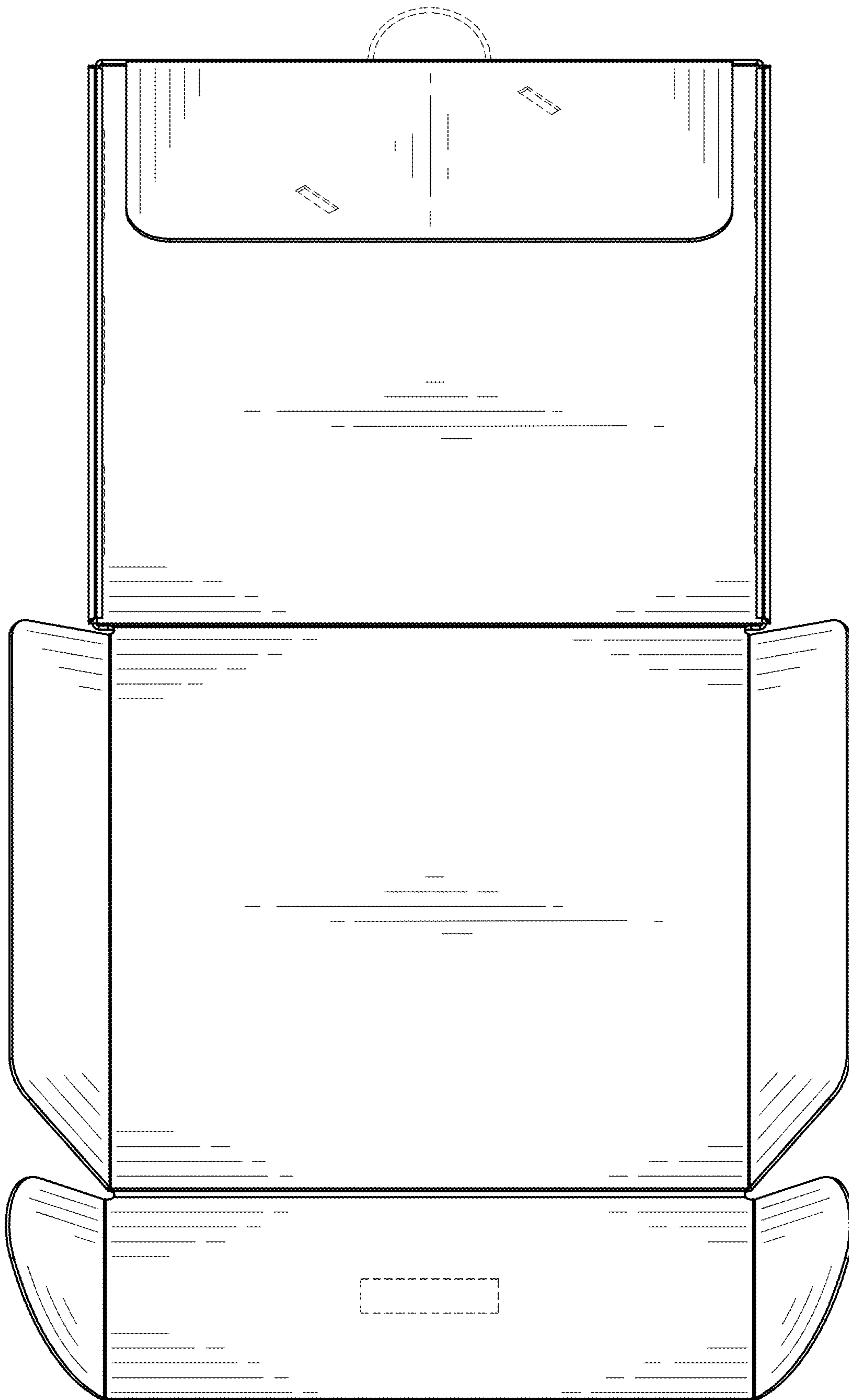


FIG. 7

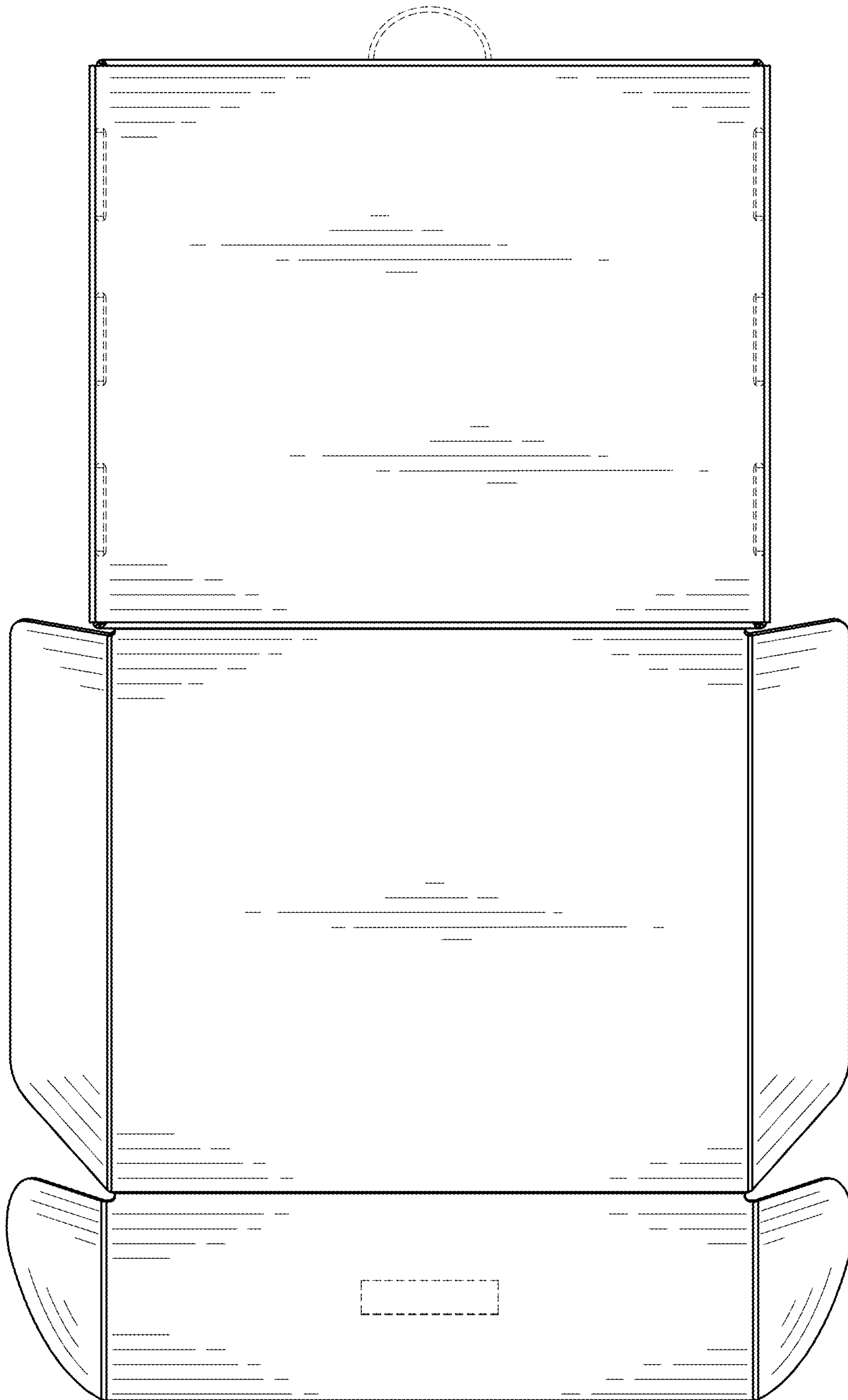


FIG. 8

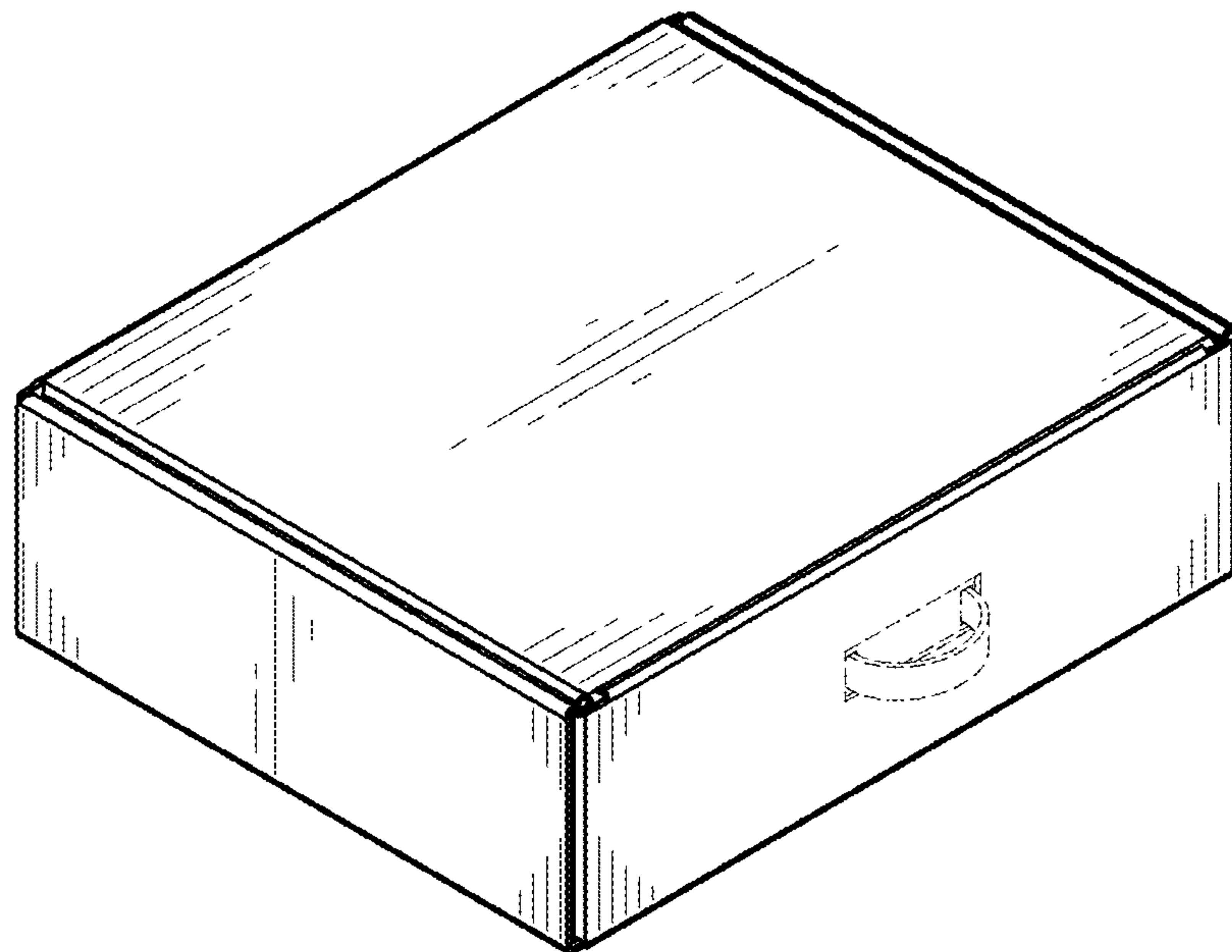


FIG. 9

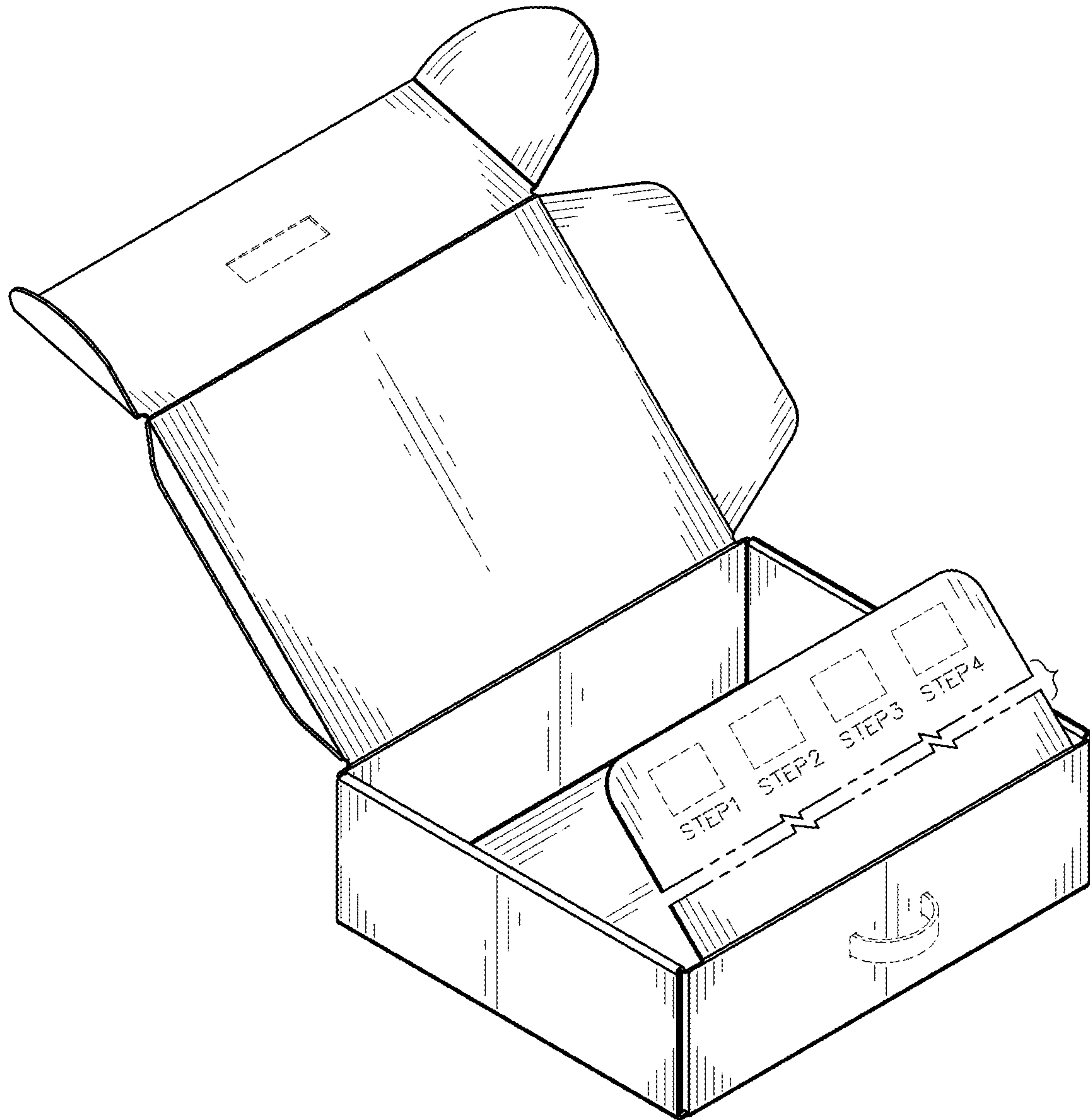


FIG. 10

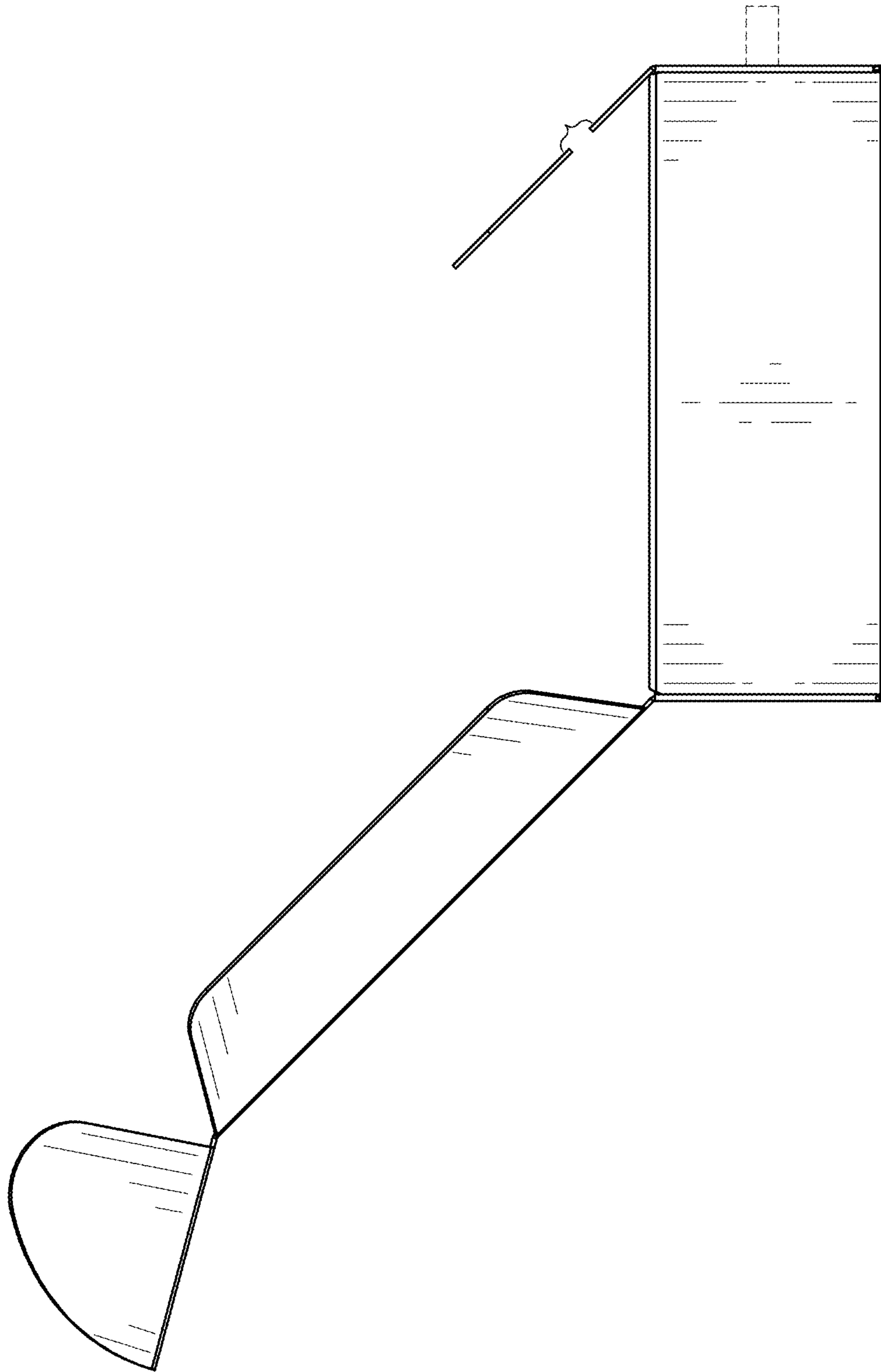


FIG. 11

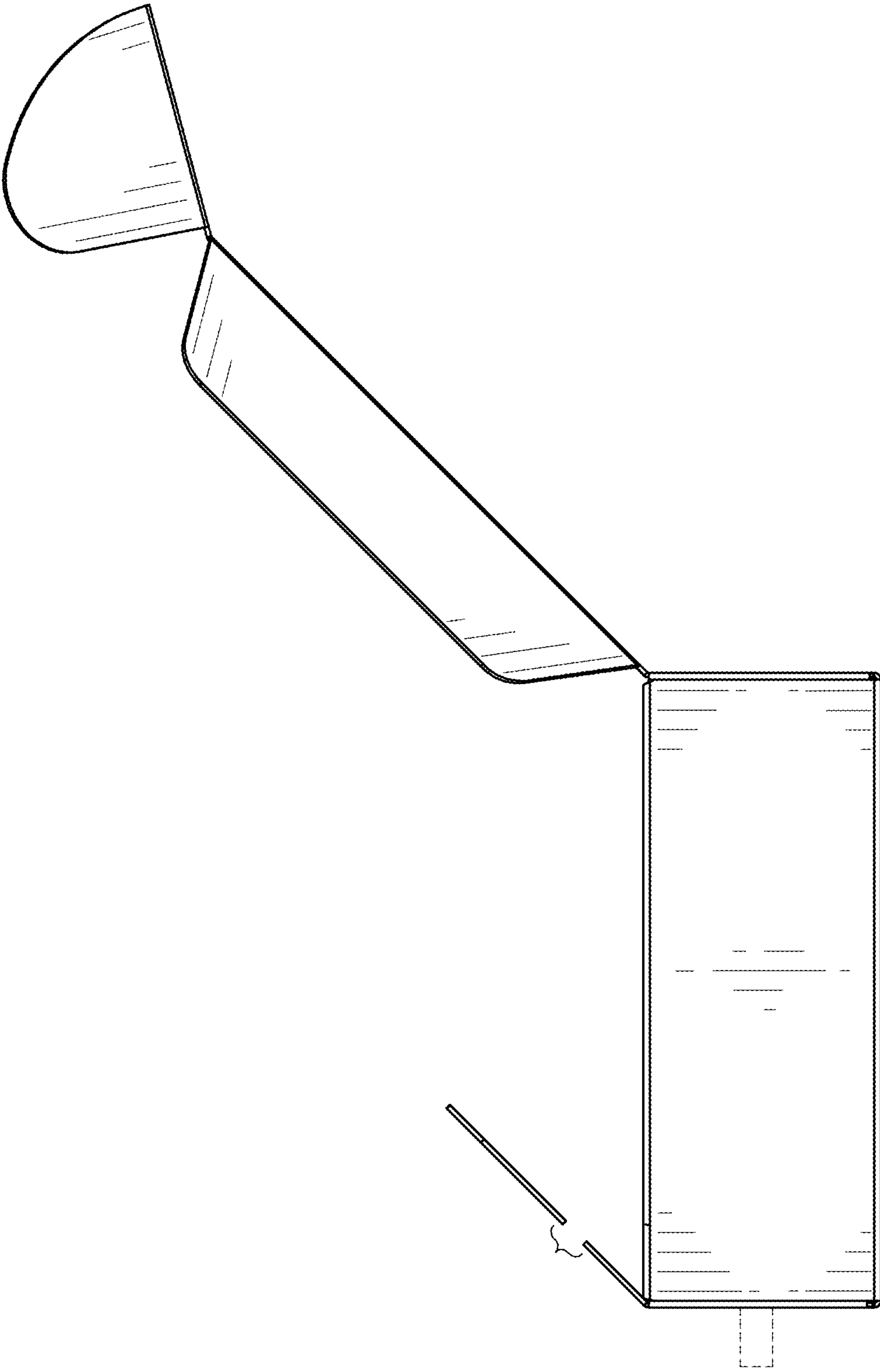


FIG. 12

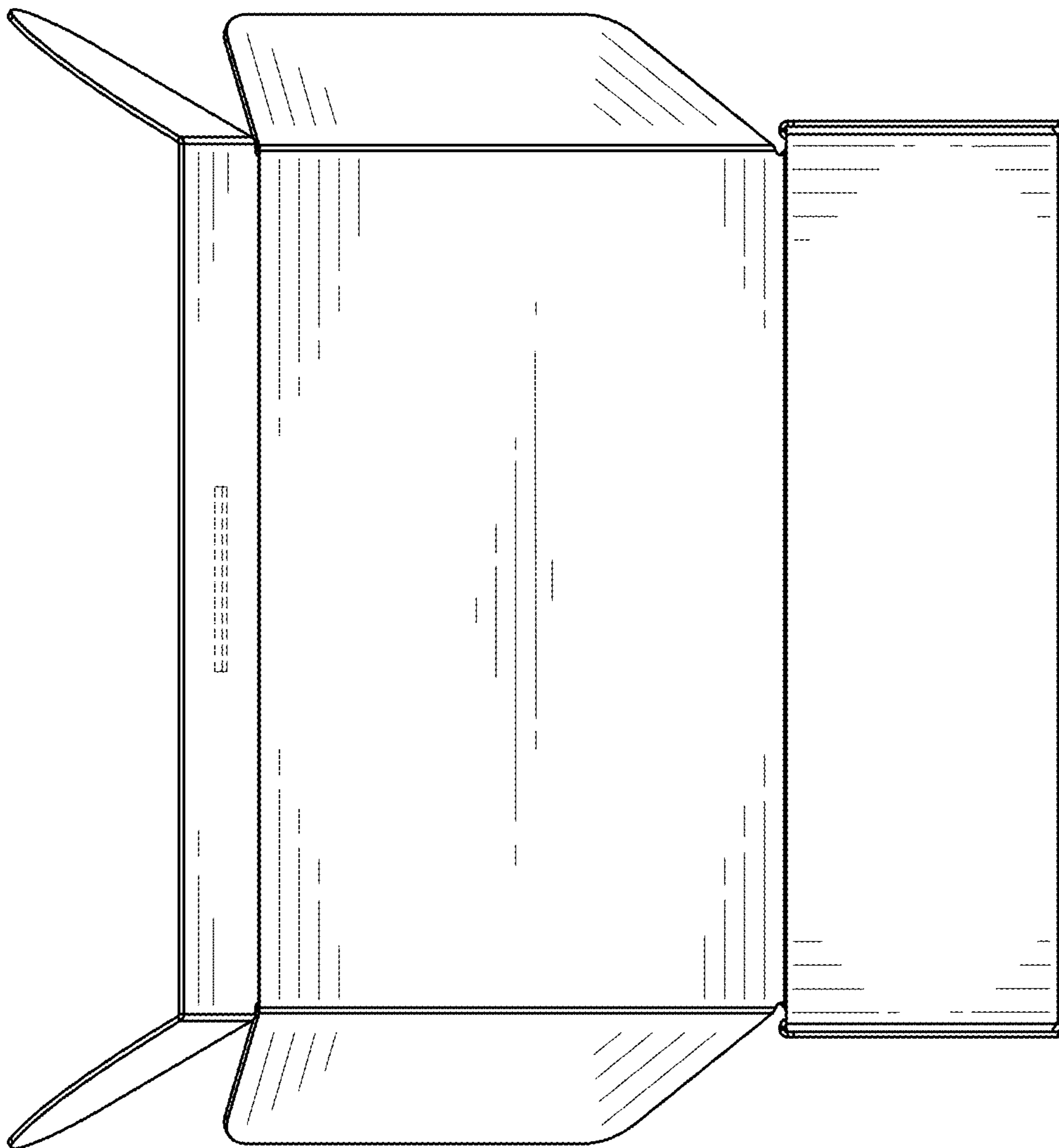


FIG. 13

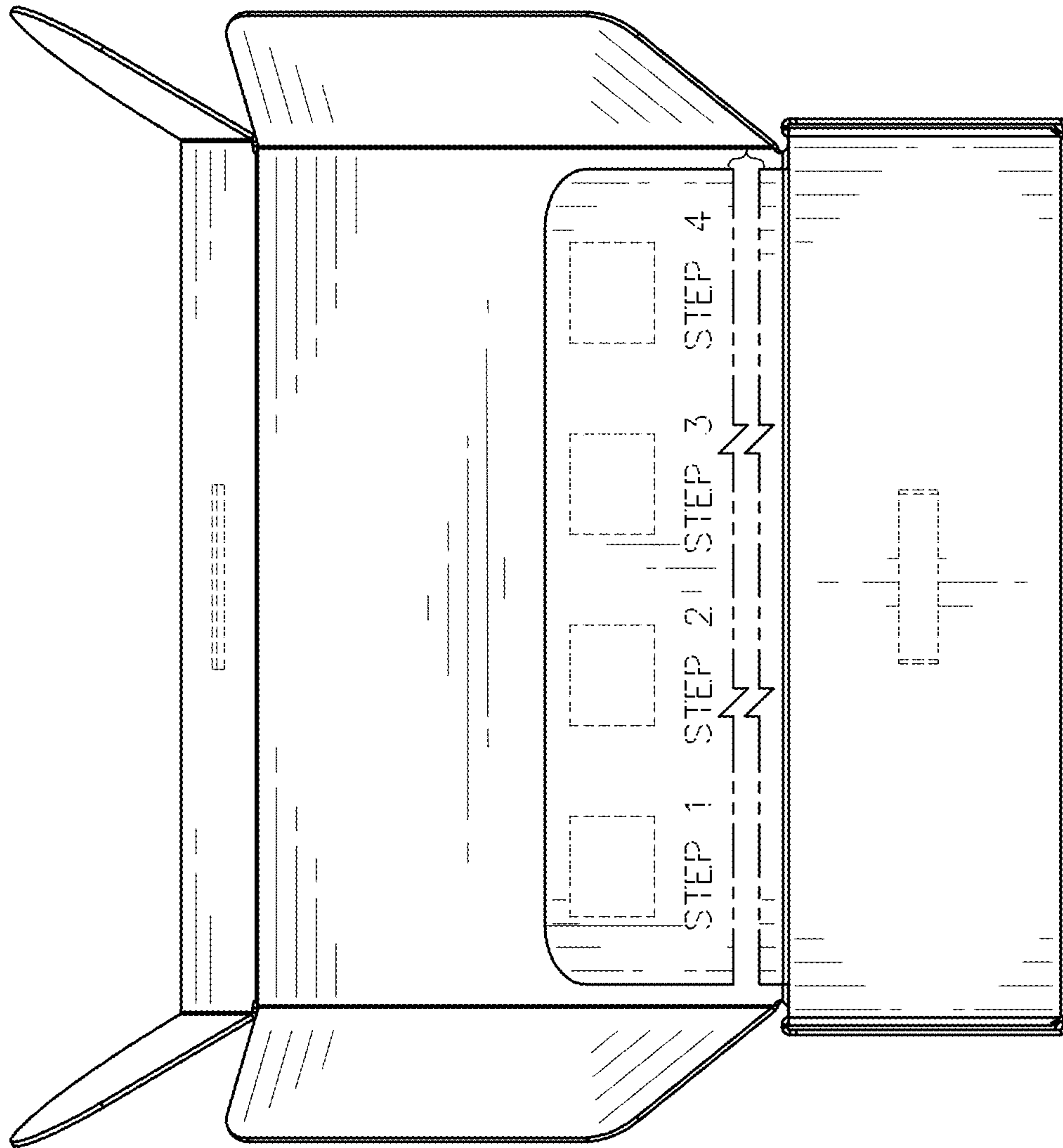


FIG. 14

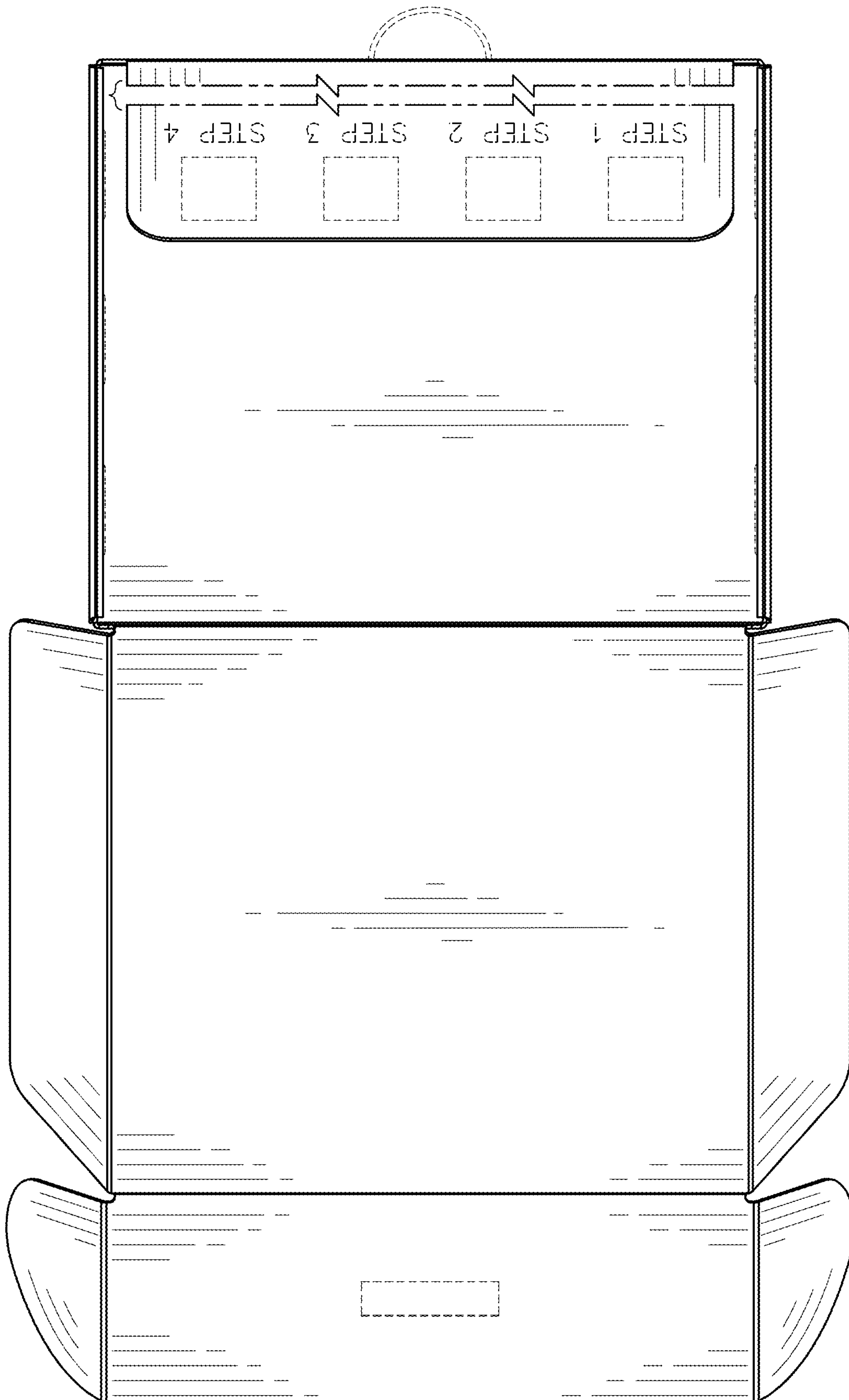


FIG. 15

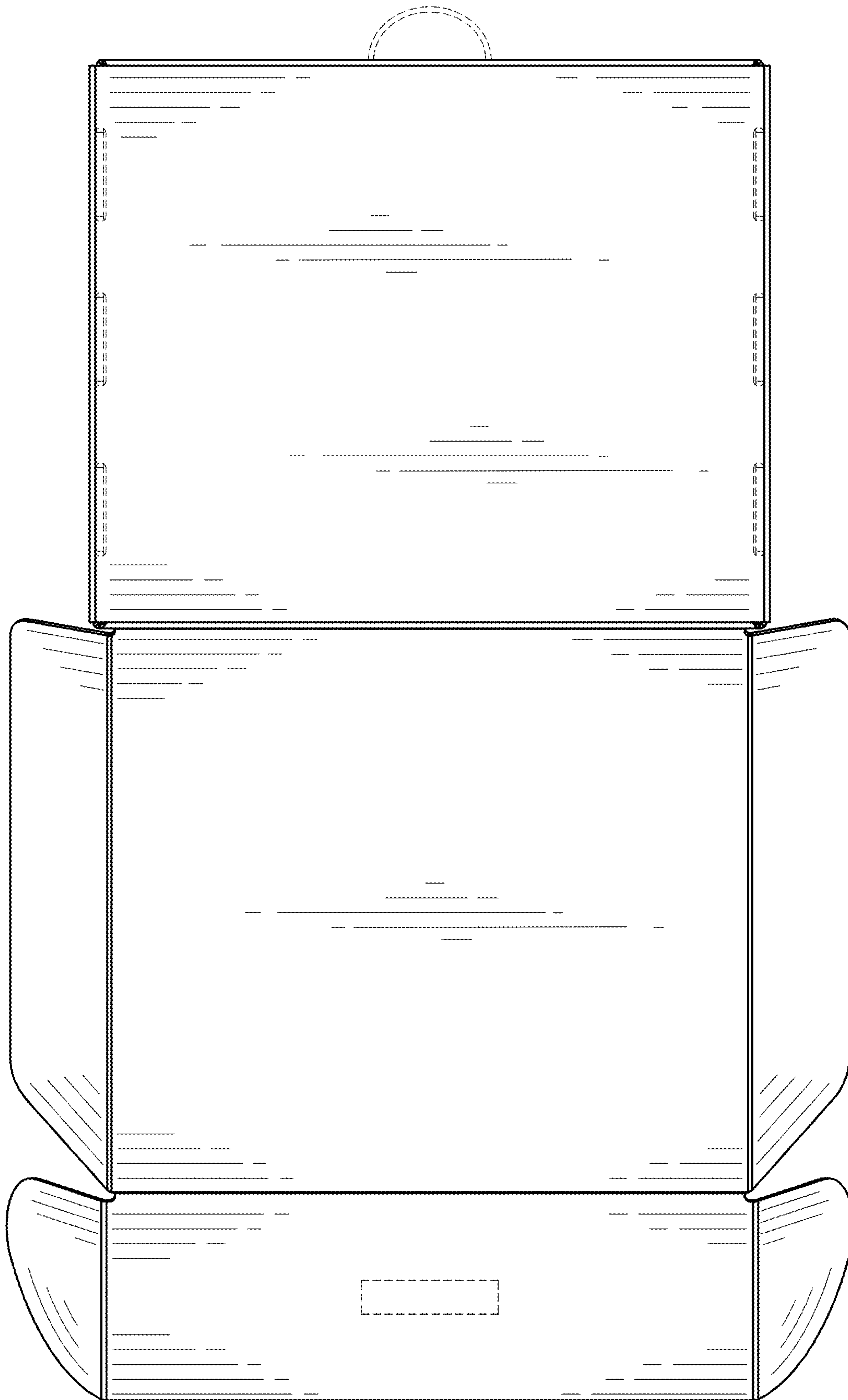


FIG. 16