



US00D876217S

(12) **United States Design Patent** (10) **Patent No.:** **US D876,217 S**  
**Nouri et al.** (45) **Date of Patent:** **\*\* Feb. 25, 2020**

- (54) **STAND-UP CONTAINER WITH SEAL**
- (71) Applicant: **Stasher, Inc.**, Emeryville, CA (US)
- (72) Inventors: **Katousha Ghaemi Nouri**, Los Angeles, CA (US); **Paul Maguire**, Emeryville, CA (US)
- (73) Assignee: **STASHER, INC.**, Emeryville, CA (US)
- (\*\*) Term: **15 Years**
- (21) Appl. No.: **29/674,151**
- (22) Filed: **Dec. 19, 2018**
- (51) **LOC (12) Cl.** ..... **09-03**
- (52) **U.S. Cl.**  
USPC ..... **D9/425**
- (58) **Field of Classification Search**  
USPC ..... D9/414, 420, 423, 424, 425, 426, 430,  
D9/432; D7/601, 602, 629, 630  
CPC ..... B65D 75/008; B65D 2543/00296; B65D  
79/005; B65D 75/5883; B65D 1/0223;  
B65D 2207/00; B65D 81/3453; B65D  
2575/586; B65D 2543/00194  
See application file for complete search history.

(56) **References Cited**

U.S. PATENT DOCUMENTS

D328,249 S *	7/1992	Lee	.....	D9/415
D346,114 S *	4/1994	Winston	.....	D9/415
D664,425 S *	7/2012	Krupa	.....	D9/420
8,215,485 B2 *	7/2012	Maroofian	.....	B65D 75/24 206/445
D676,740 S *	2/2013	Golota	.....	D9/420
D725,463 S *	3/2015	Kuo	.....	D9/414
D859,975 S *	9/2019	Brown	.....	D9/420
D869,271 S *	12/2019	Troudt	.....	D9/425

2005/0133398 A1 *	6/2005	Schwester	.....	B65D 73/00 206/461
2006/0065570 A1 *	3/2006	Martin	.....	B65D 75/366 206/703
2006/0237454 A1 *	10/2006	Clarke	.....	B65D 75/22 220/4.21
2010/0101976 A1 *	4/2010	Urban	.....	B65D 71/0077 206/736
2010/0155402 A1 *	6/2010	Maroofian	.....	B65D 75/24 220/265

\* cited by examiner

*Primary Examiner* — Lauren R Calve

(74) *Attorney, Agent, or Firm* — Arc IP Law, PC; Joseph J. Mayo

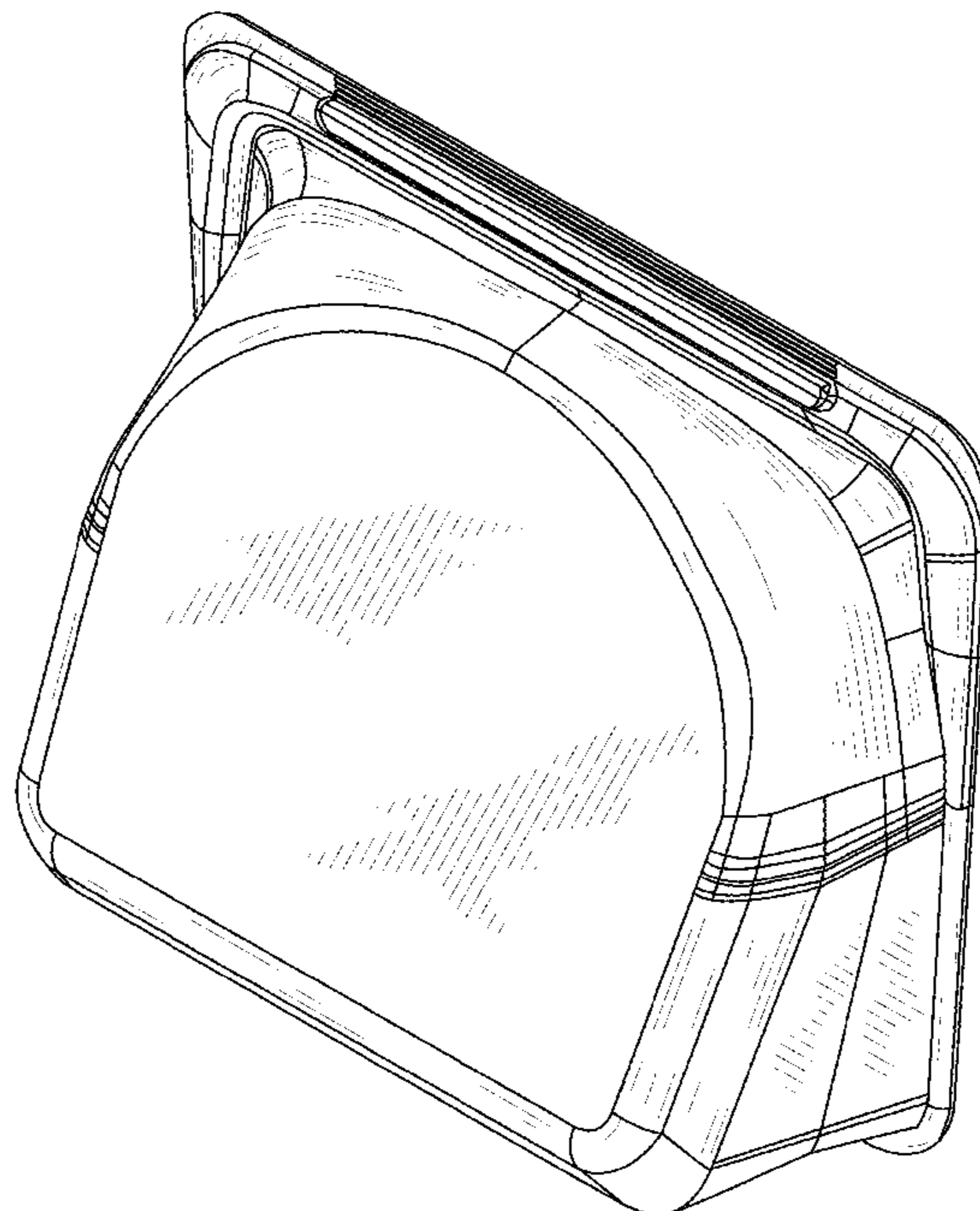
(57) **CLAIM**

The ornamental design for a stand-up container with seal, as shown and described.

**DESCRIPTION**

FIG. 1 is a front upper perspective view of a stand-up container with seal.  
 FIG. 2 is a bottom lower perspective view of the stand-up container with seal of FIG. 1.  
 FIG. 3 is a front view of the stand-up container with seal of FIG. 1.  
 FIG. 4 is a back view of the stand-up container with seal of FIG. 1.  
 FIG. 5 is a top view of the stand-up container with seal of FIG. 1.  
 FIG. 6 is a bottom view of the stand-up container with seal of FIG. 1; and,  
 FIG. 7 is a right side view of the stand-up container with seal of FIG. 1 of which the left side is a mirror image.

**1 Claim, 7 Drawing Sheets**



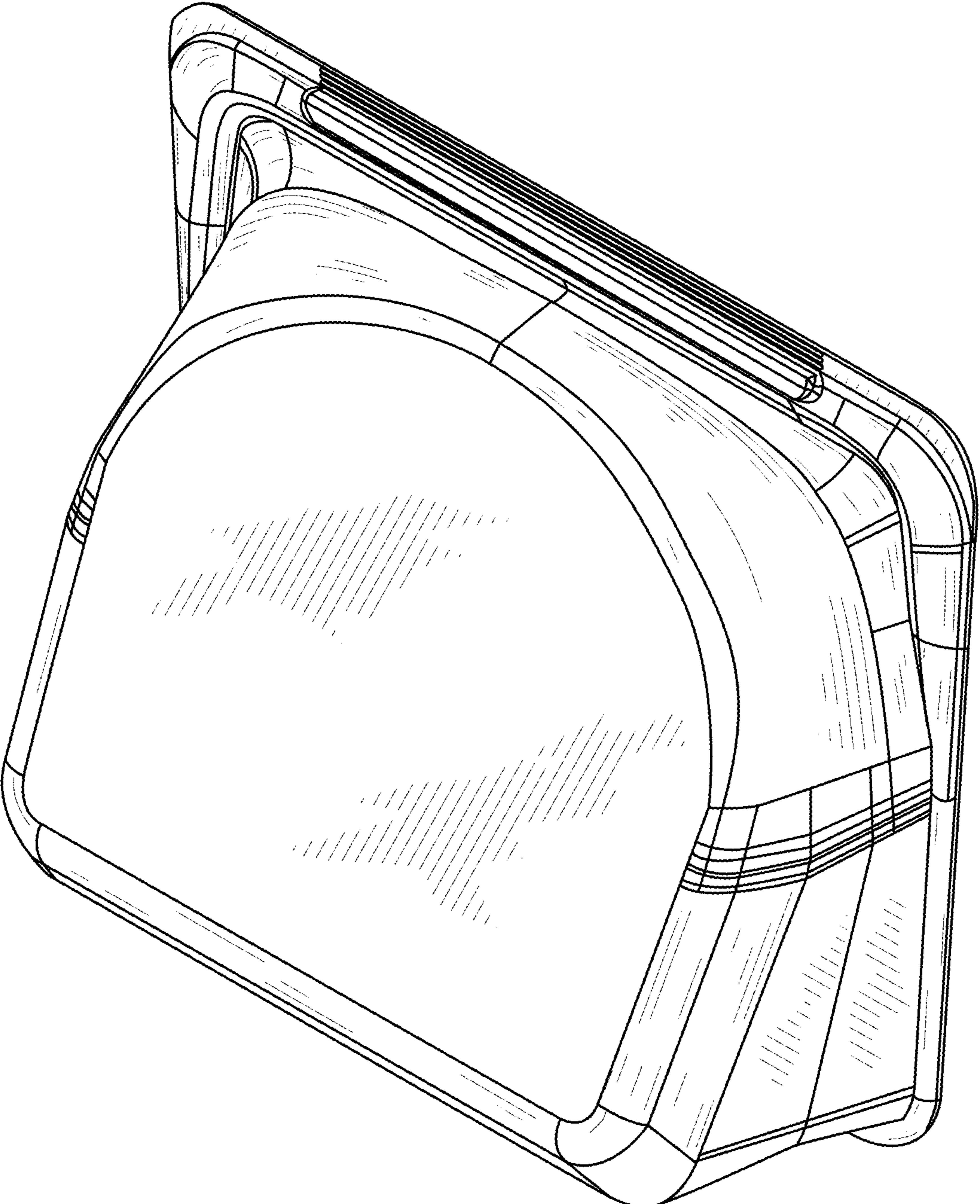


FIG. 1

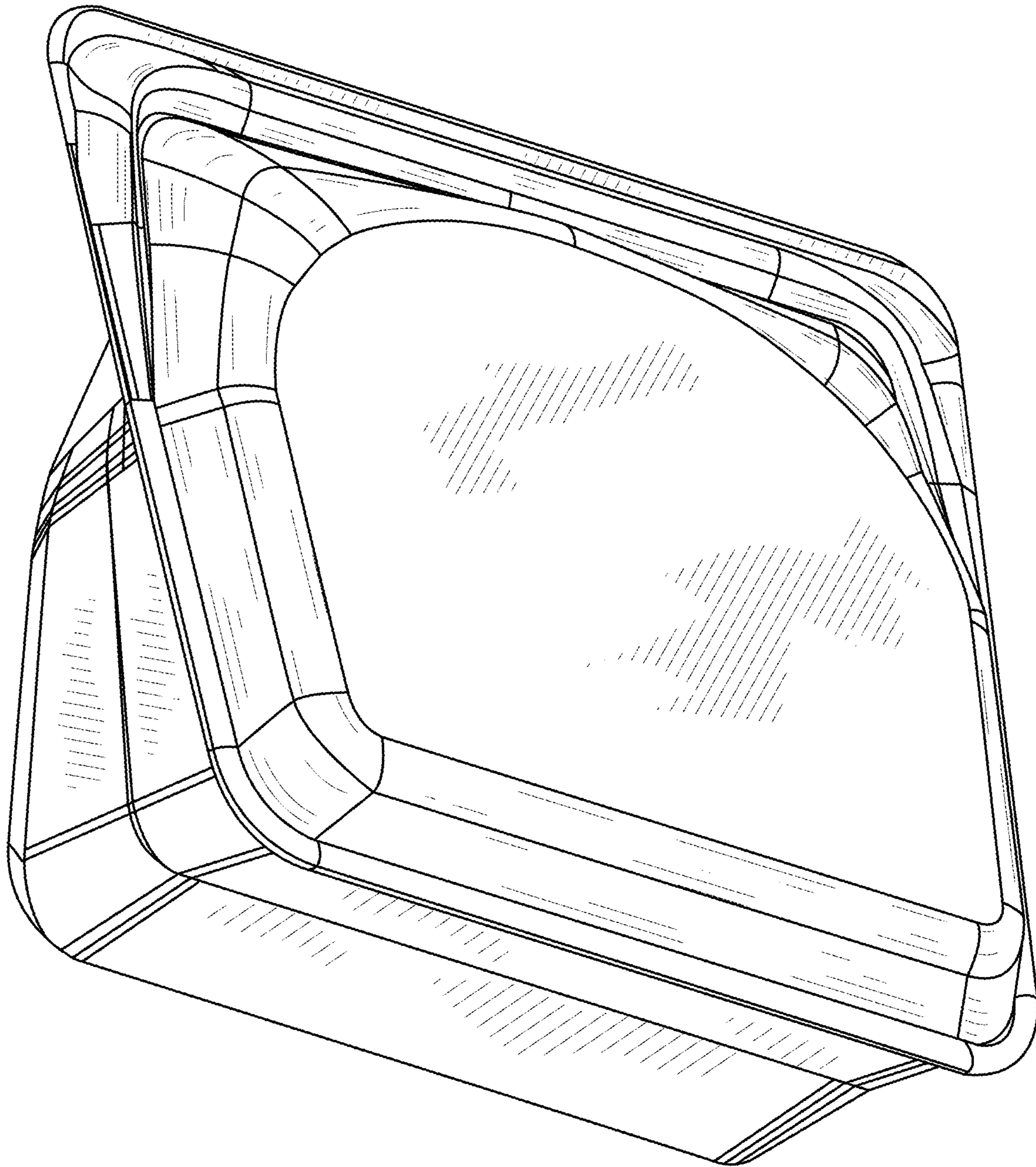


FIG. 2

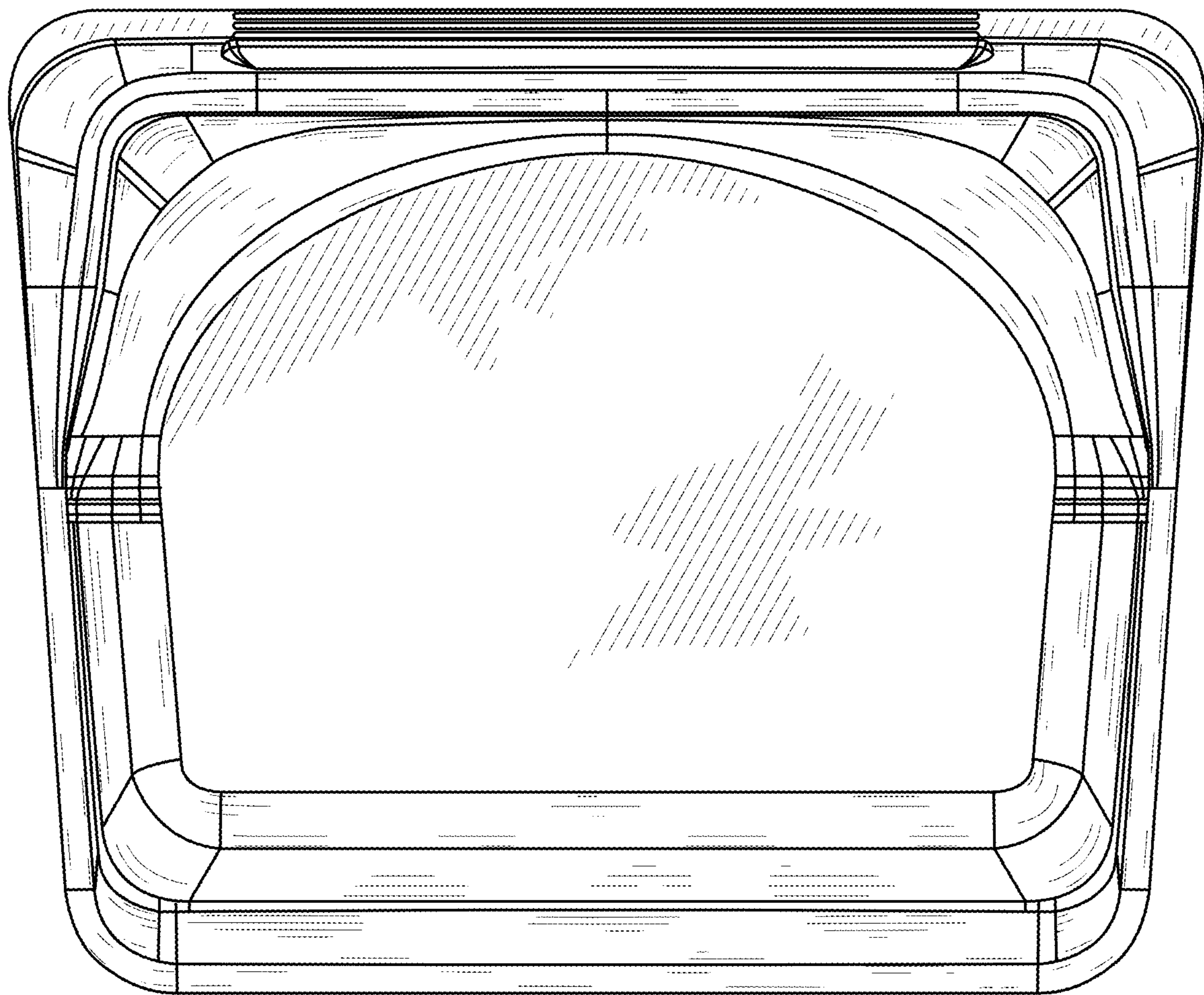


FIG. 3

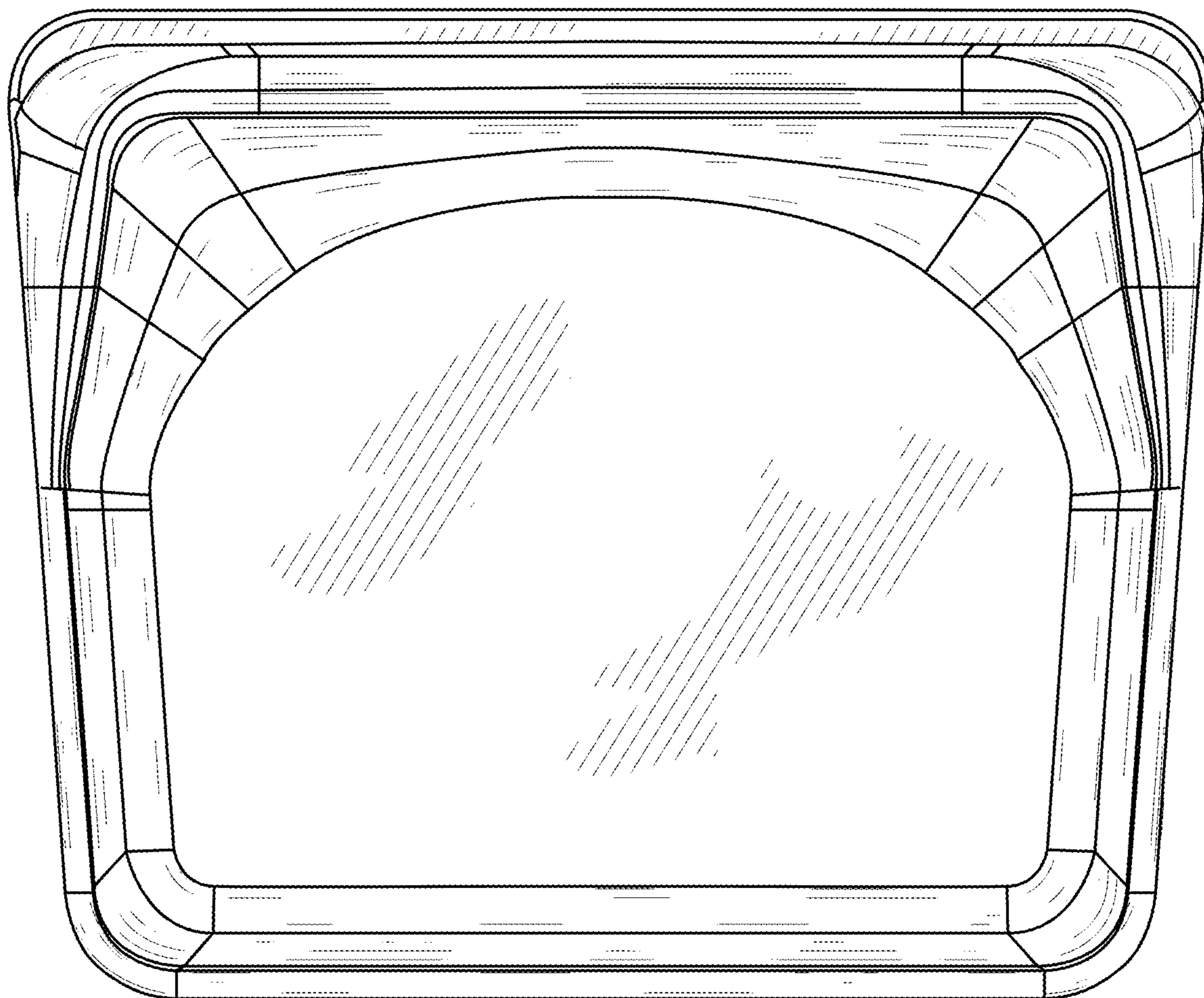


FIG. 4

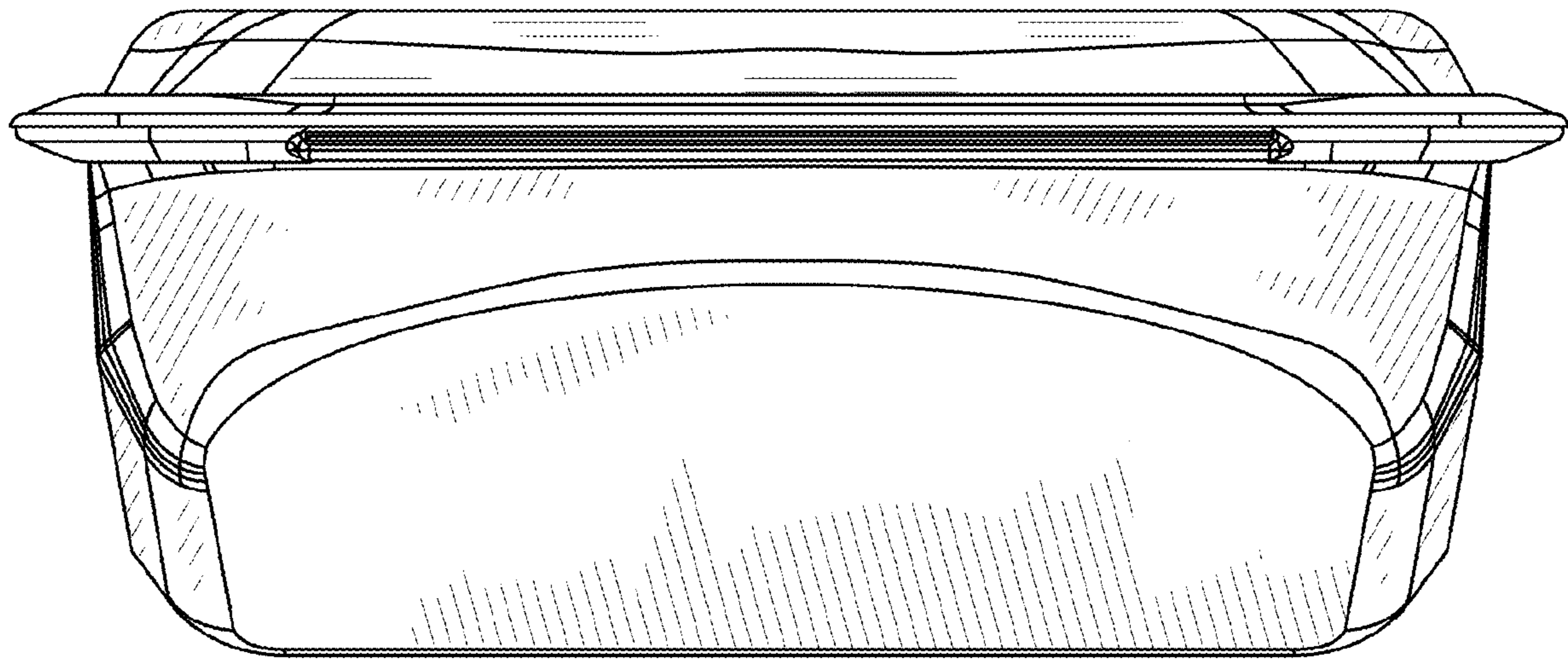


FIG. 5

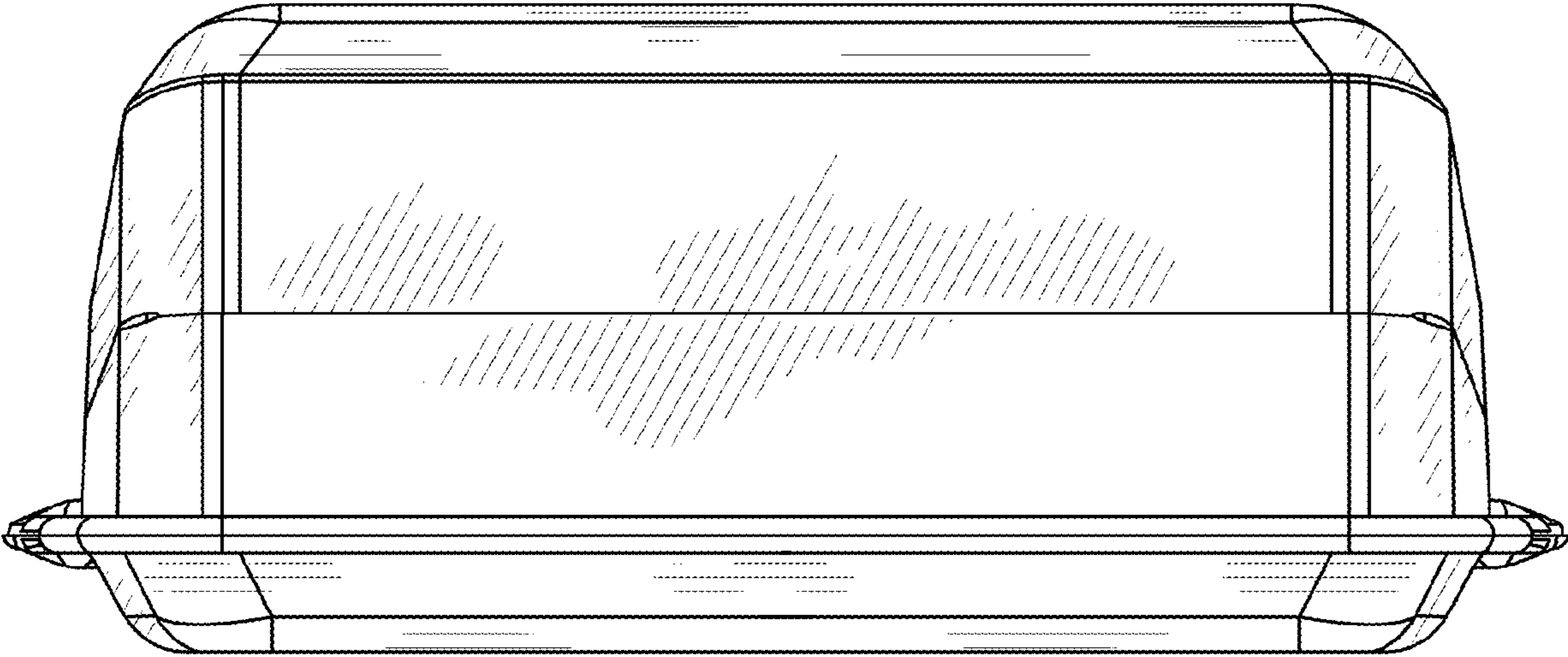


FIG. 6

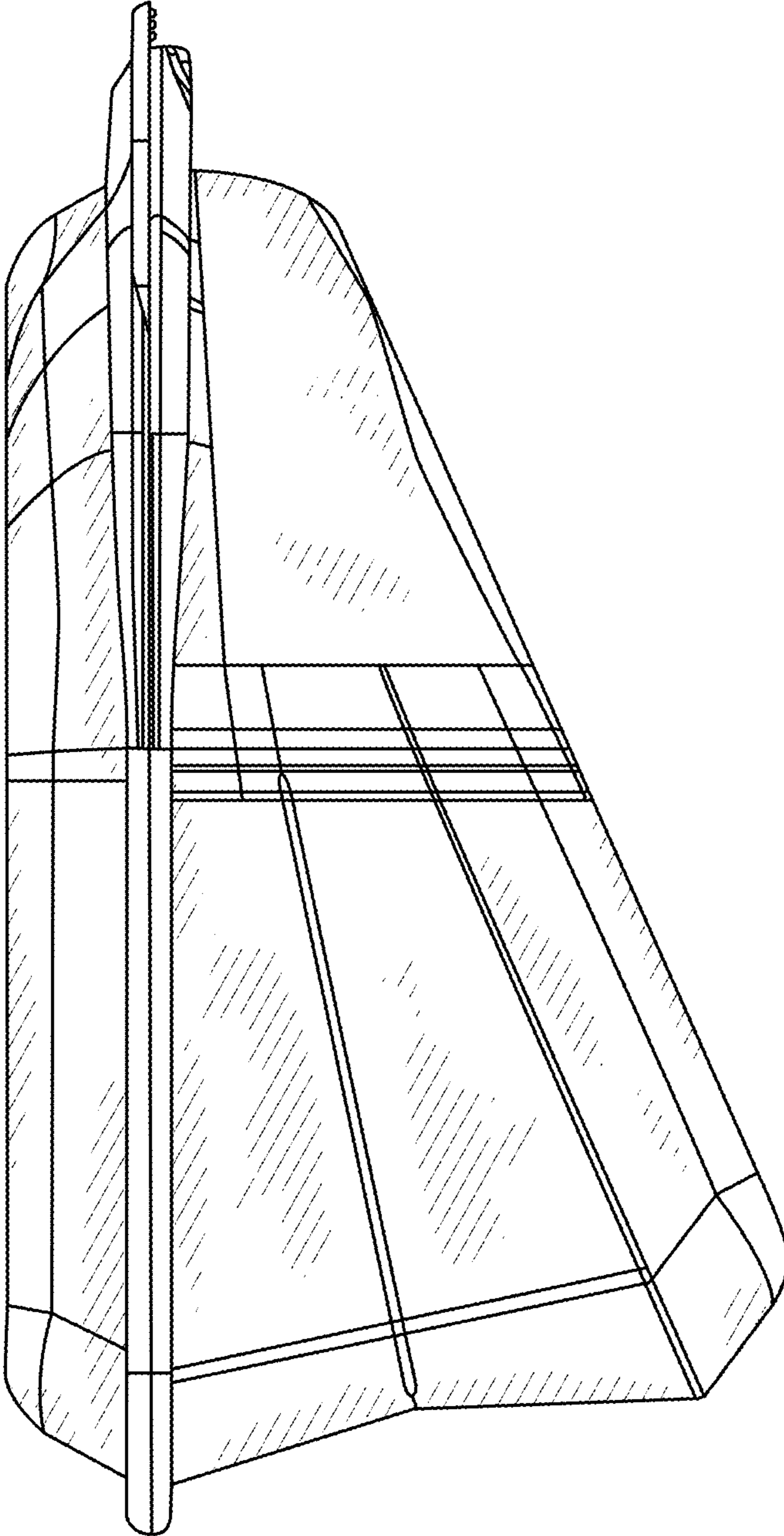


FIG. 7