



US00D876215S

(12) **United States Design Patent**
Sanfilippo et al.

(10) **Patent No.:** **US D876,215 S**

(45) **Date of Patent:** **** Feb. 25, 2020**

(54) **PACKAGE**

(71) Applicant: **PRIMAPAK LLC**, Elgin, IL (US)

(72) Inventors: **James J. Sanfilippo**, Barrington Hills, IL (US); **John E. Sanfilippo**, Barrington Hills, IL (US)

(73) Assignee: **PRIMAPAK LLC**, Elgin, IL (US)

(**) Term: **15 Years**

(21) Appl. No.: **29/614,428**

(22) Filed: **Aug. 18, 2017**

(51) **LOC (12) Cl.** **09-03**

(52) **U.S. Cl.**
USPC **D9/416**

(58) **Field of Classification Search**

USPC D9/434, 499, 414-416, 418, 419-423, D9/425, 426, 430-433, 737, 759-761; D3/201, 203.1, 203.5, 203.6; D7/601, D7/602, 609

CPC B65D 75/5838; B65D 75/5833
See application file for complete search history.

(56) **References Cited**

U.S. PATENT DOCUMENTS

4,790,436	A *	12/1988	Nakamura	B65D 83/0805
					206/449
5,791,465	A *	8/1998	Niki	B65D 75/5894
					206/210
6,643,995	B1 *	11/2003	Koyama	B65B 9/04
					229/125.35
6,918,532	B2 *	7/2005	Sierra-Gomez	B65D 75/5838
					206/459.1
D664,426	S *	7/2012	Cadieux, Jr.	D9/423
D739,228	S *	9/2015	Jondal	D9/421
D750,477	S *	3/2016	Sanfilippo	D9/416
D764,271	S *	8/2016	Sanfilippo	D9/416
D764,914	S *	8/2016	Sanfilippo	D9/435
D826,707	S *	8/2018	Sanfilippo	D9/416

(Continued)

OTHER PUBLICATIONS

Packaging World. Pack becomes a reclosable serving bowl . Mar. 26, 2018. <URL:https://www.packworld.com/article/applications/food/confectionery/candy/pack-becomes-reclosable-serving-bowl>. (Year: 2018).*

(Continued)

Primary Examiner — Darcey E Gottschalk

(74) *Attorney, Agent, or Firm* — Marshall, Gerstein & Borun LLP

(57) **CLAIM**

The ornamental design for a package, as shown and described.

DESCRIPTION

FIG. 1 is a front, right-side, and top isometric view of a package showing the new design, with the package in a closed position.

FIG. 2 is a top plan view of the package.

FIG. 3 is a front elevation view of the package.

FIG. 4 is a right-side elevation view of the package.

FIG. 5 is a back elevation view of the package.

FIG. 6 is a left-side elevation view of the package.

FIG. 7 is a bottom plan view of the package.

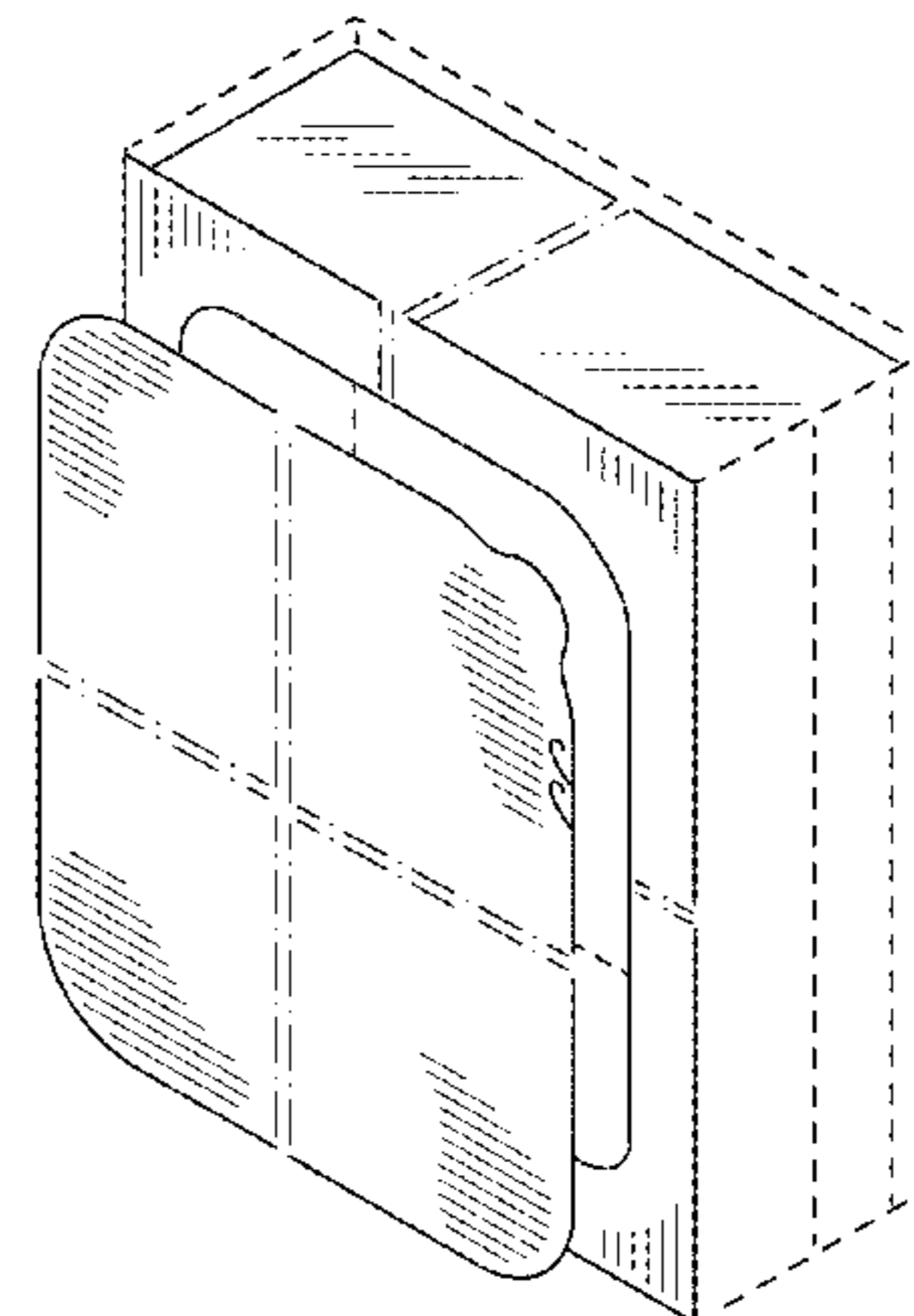
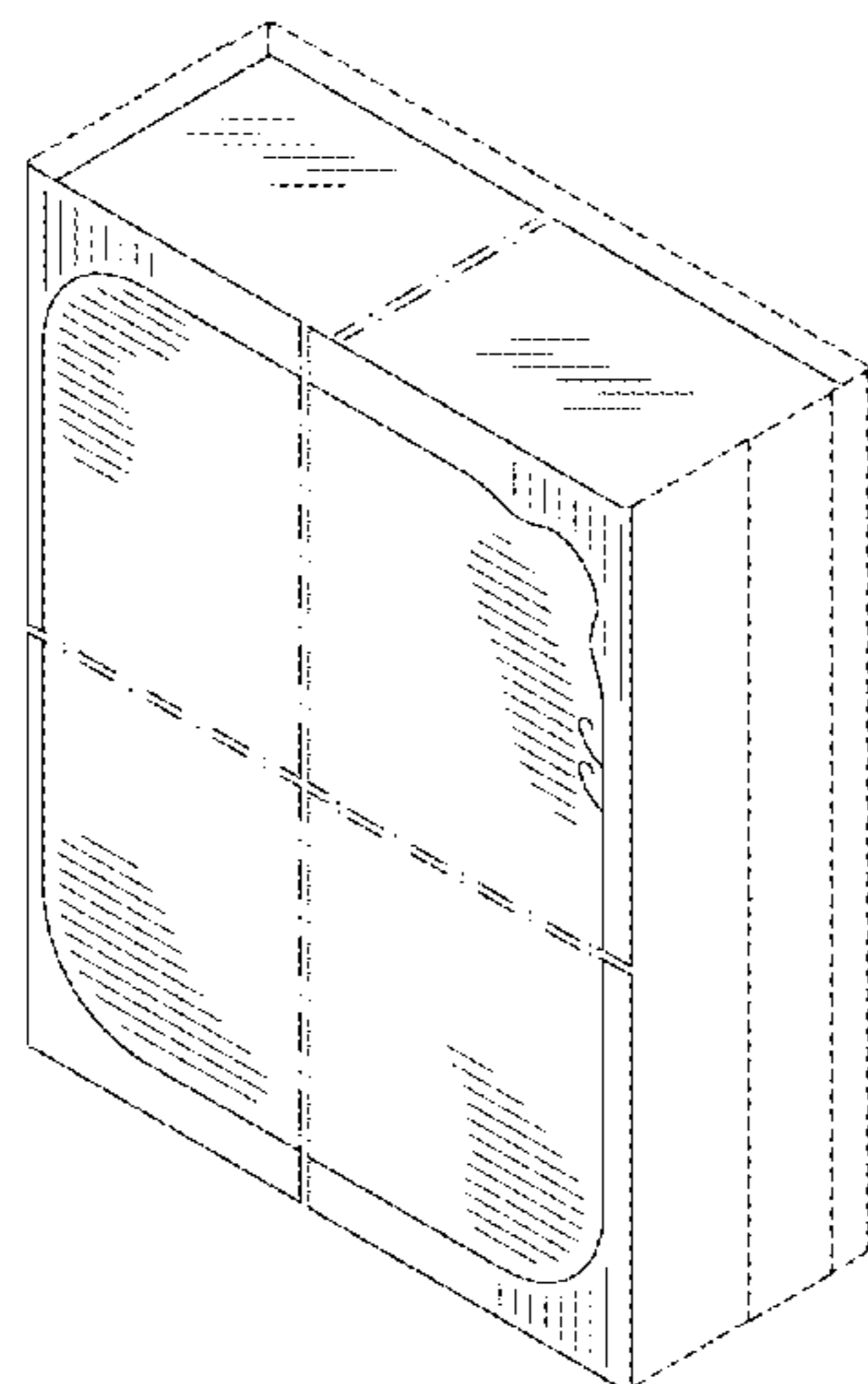
FIG. 8 is a back, right-side, and top isometric view of the package.

FIG. 9 is a front, right-side, and top isometric view of the package in an open position; and,

FIG. 10 is a back, right-side, and top isometric view of the package in the open position.

The package is shown with a symbolic break in its length. The appearance of any portion of the article between the break lines forms no part of the claimed design. The broken lines represent elements of the package that form no part of the claimed design. The dash-dot lines represent boundaries of the claimed design.

1 Claim, 7 Drawing Sheets



(56)

References Cited

U.S. PATENT DOCUMENTS

2003/0085265 A1* 5/2003 Haim B65D 5/701
229/123.1
2005/0276525 A1* 12/2005 Hebert B29C 59/007
383/203

OTHER PUBLICATIONS

Packaging Digest. Green Giant creates new twist on microwavable packaging. Oct. 17, 2017. <URL: <https://www.packagingdigest.com/microwavable-packaging/green-giant-new-twist-microwave-pkg1710>>. (Year: 2017).*

Package Republic. Oreo package establishes a new benchmark. 2011. <URL: <http://www.packagerepublic.com/?p=1432>>. (Year: 2011).*

* cited by examiner

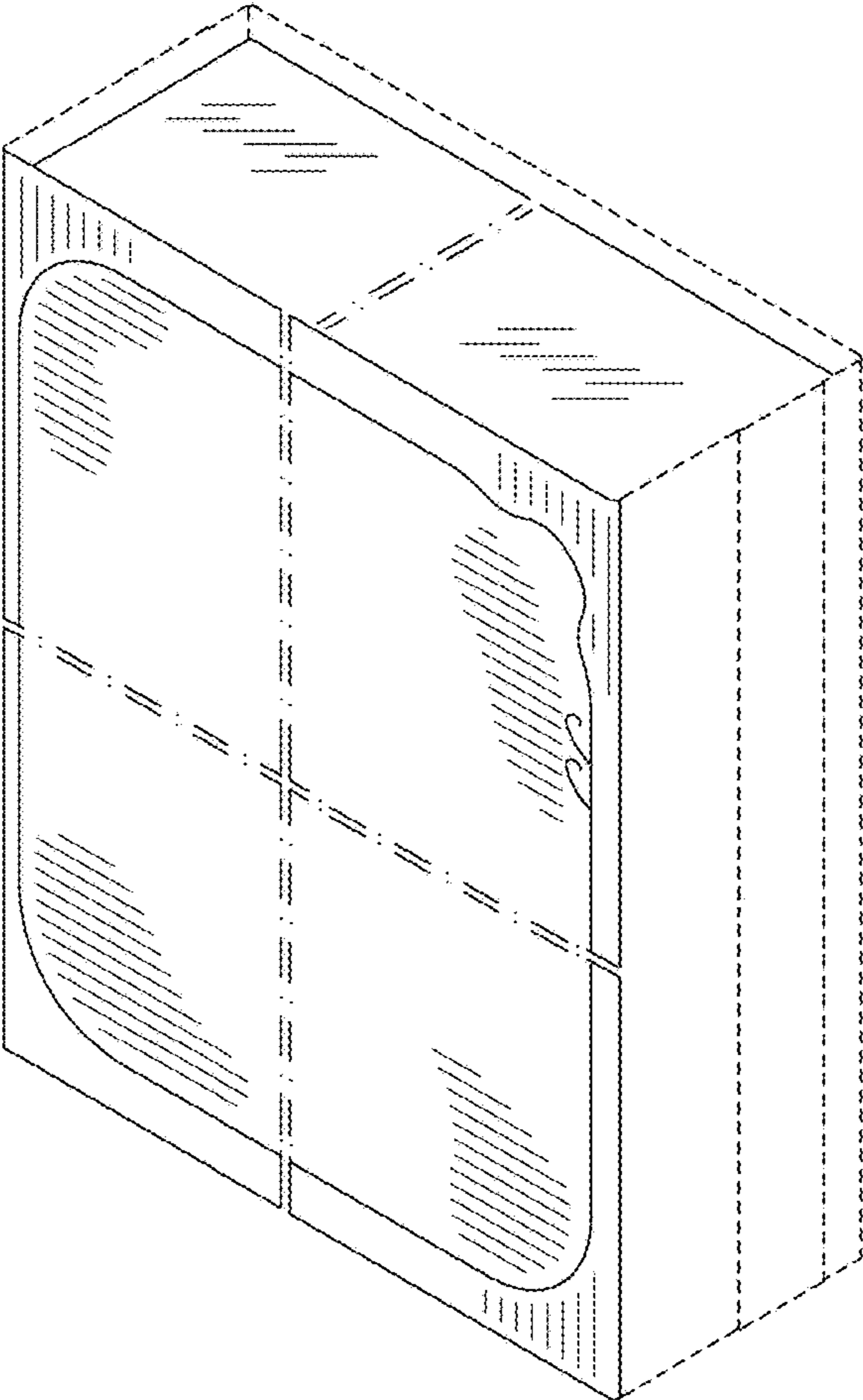


FIG. 1

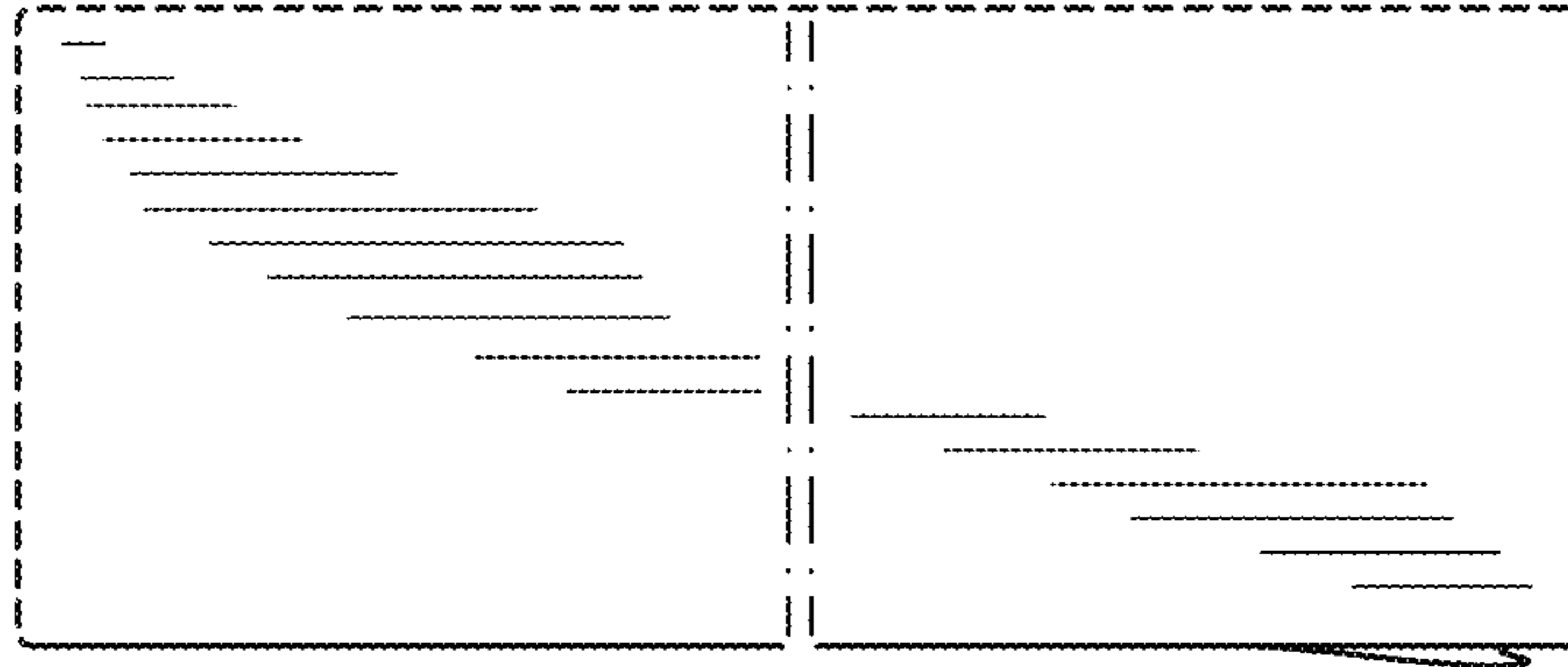


FIG. 2

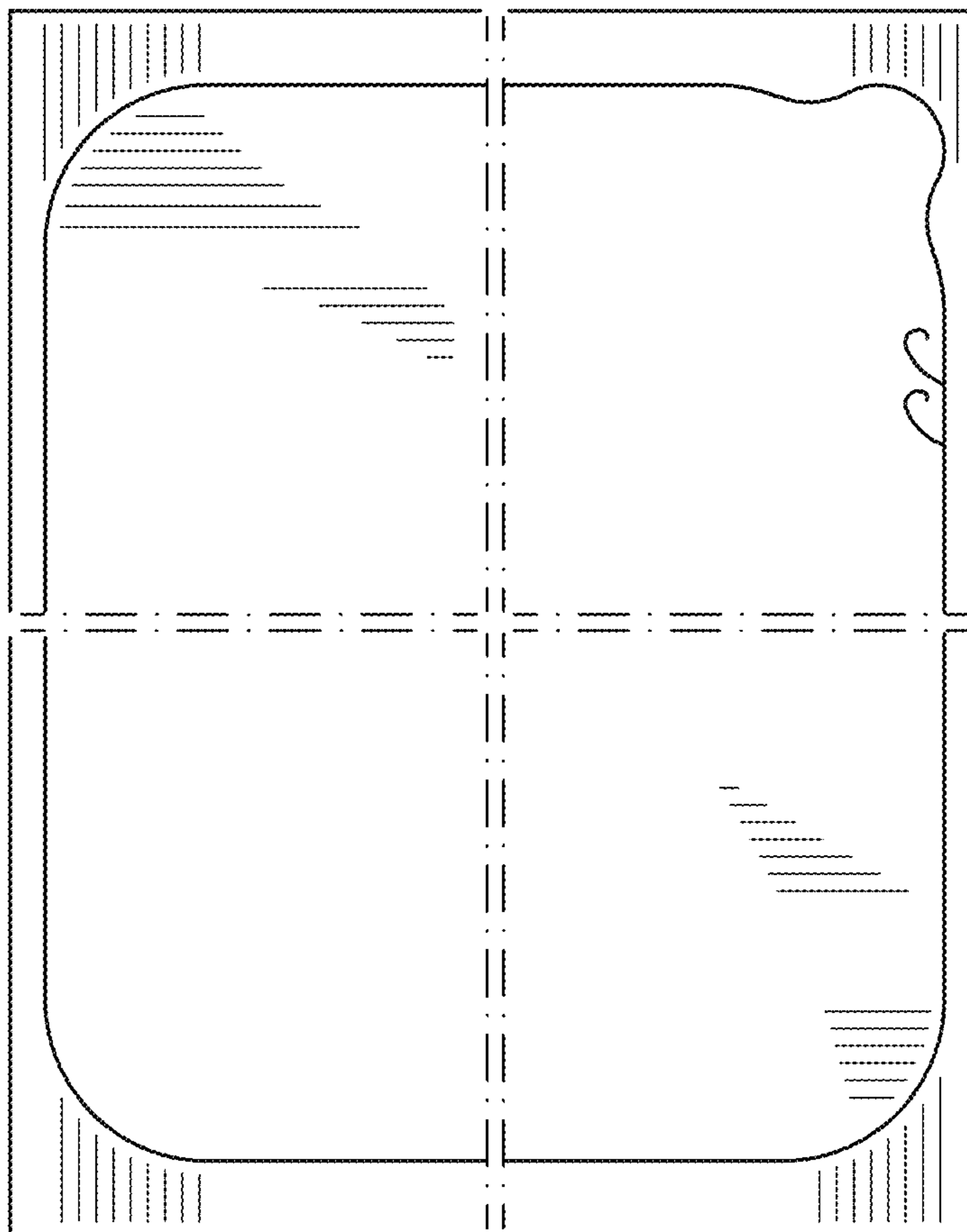


FIG. 3

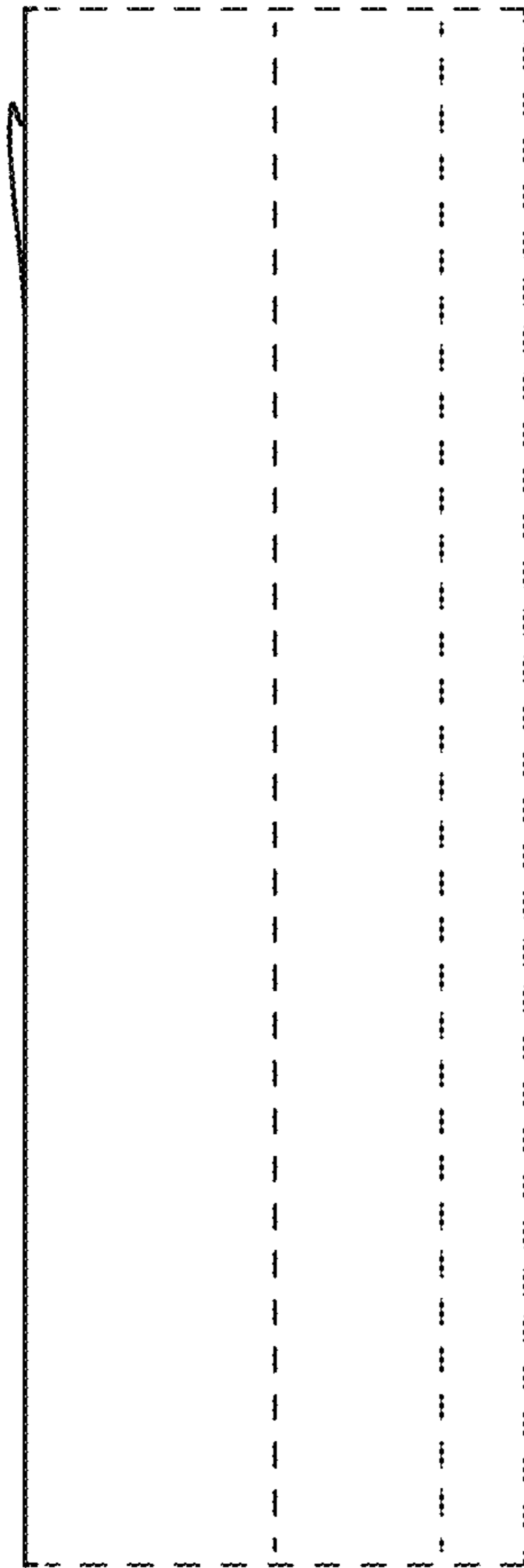


FIG. 4

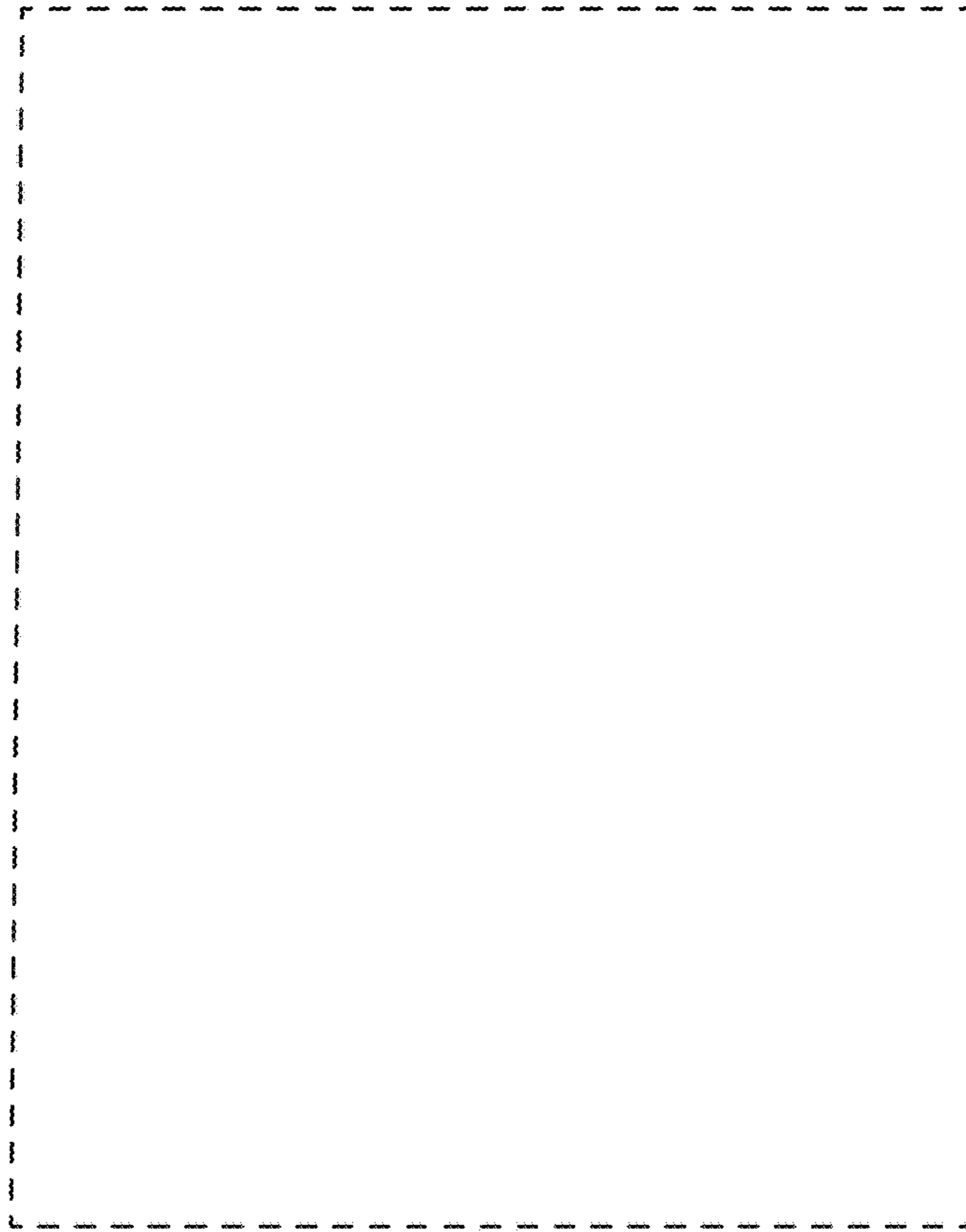


FIG. 5

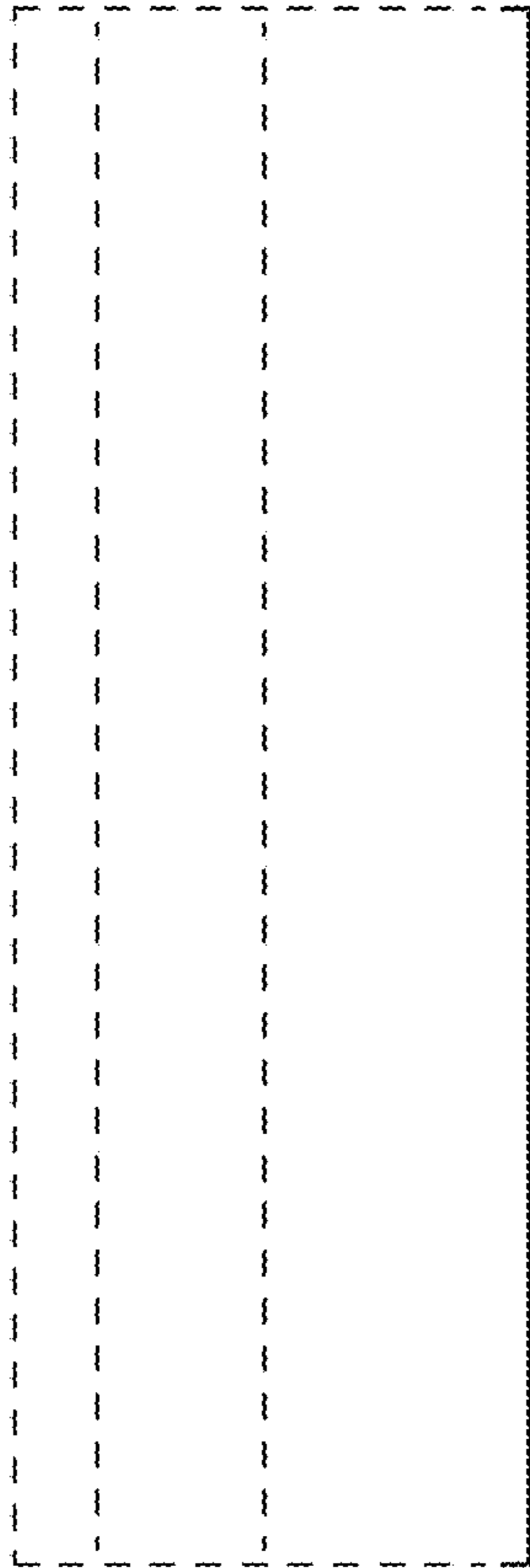


FIG. 6

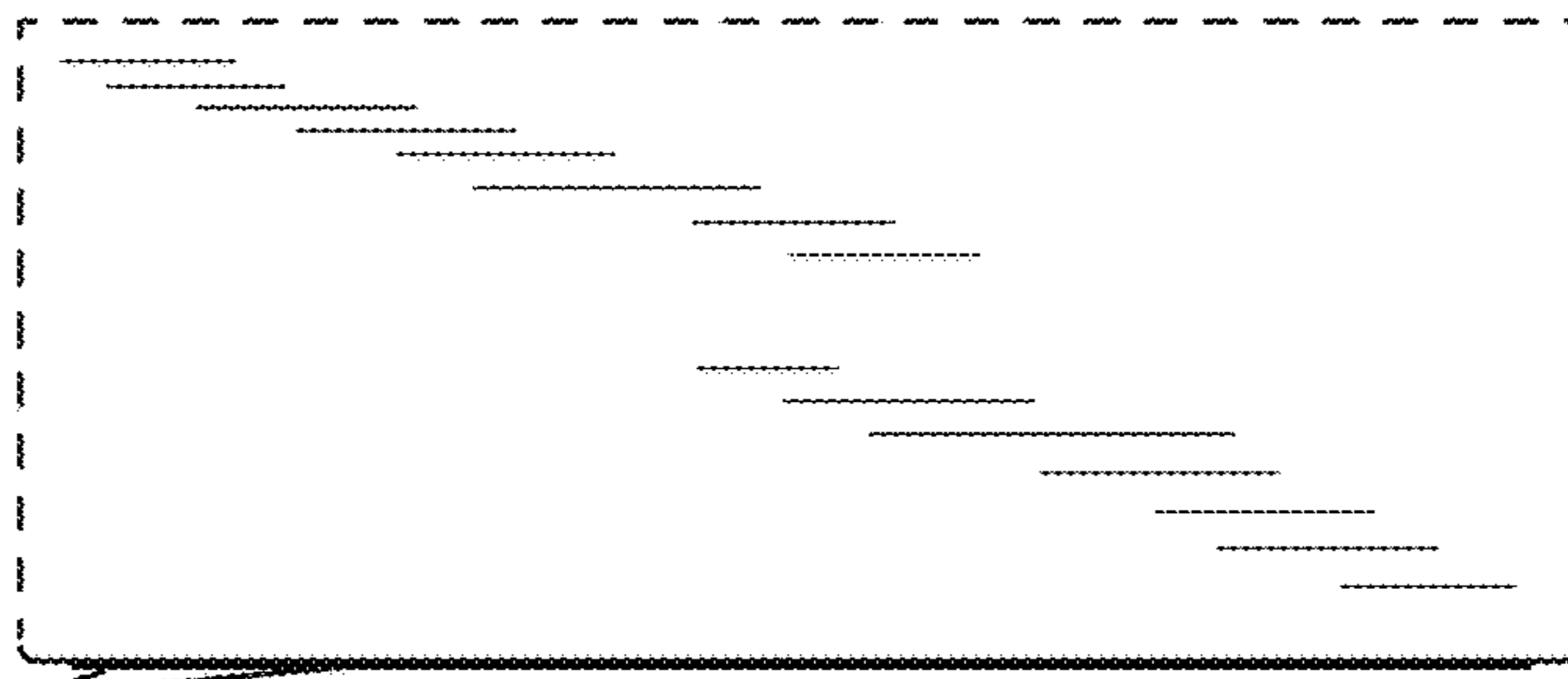


FIG. 7

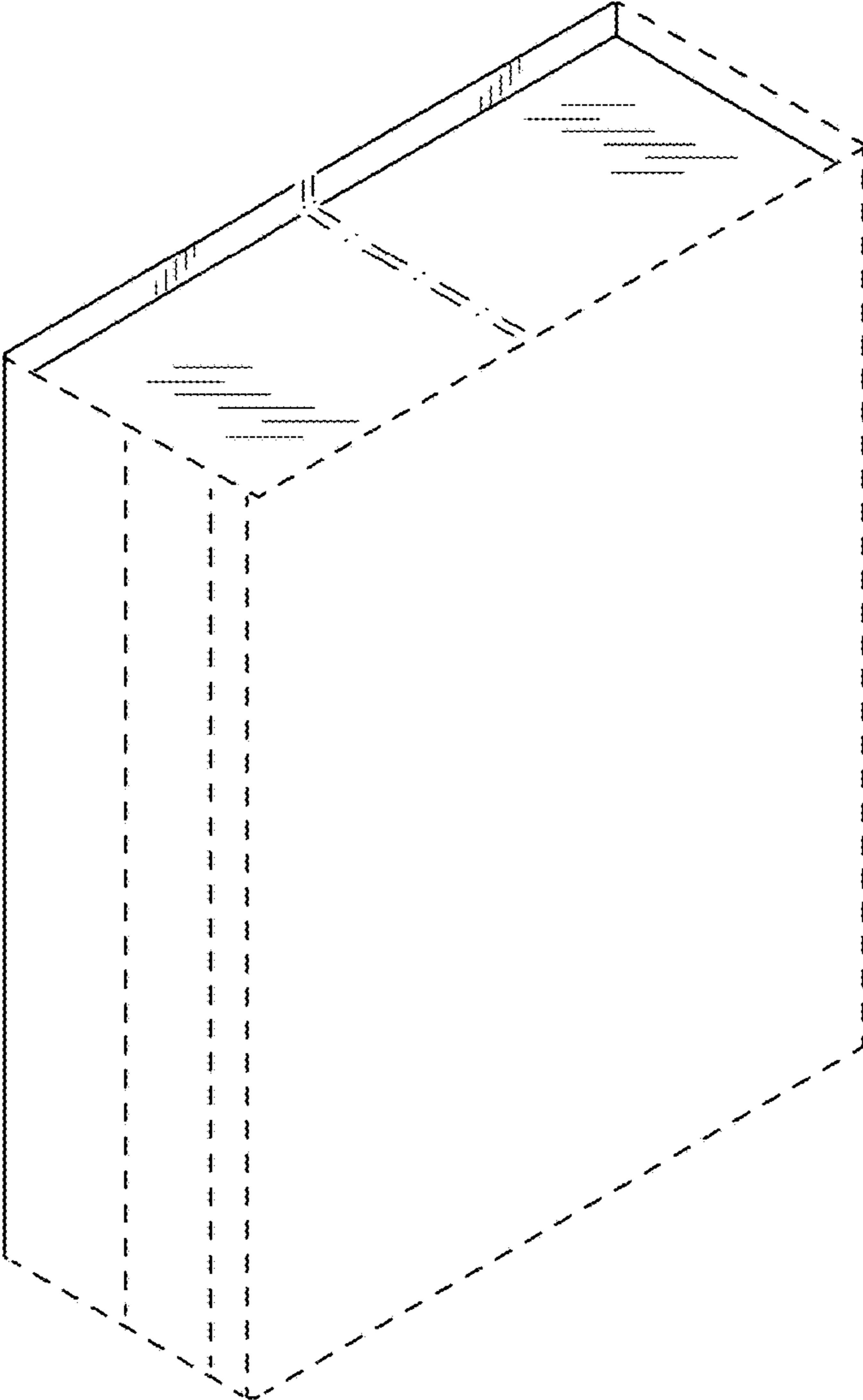


FIG. 8

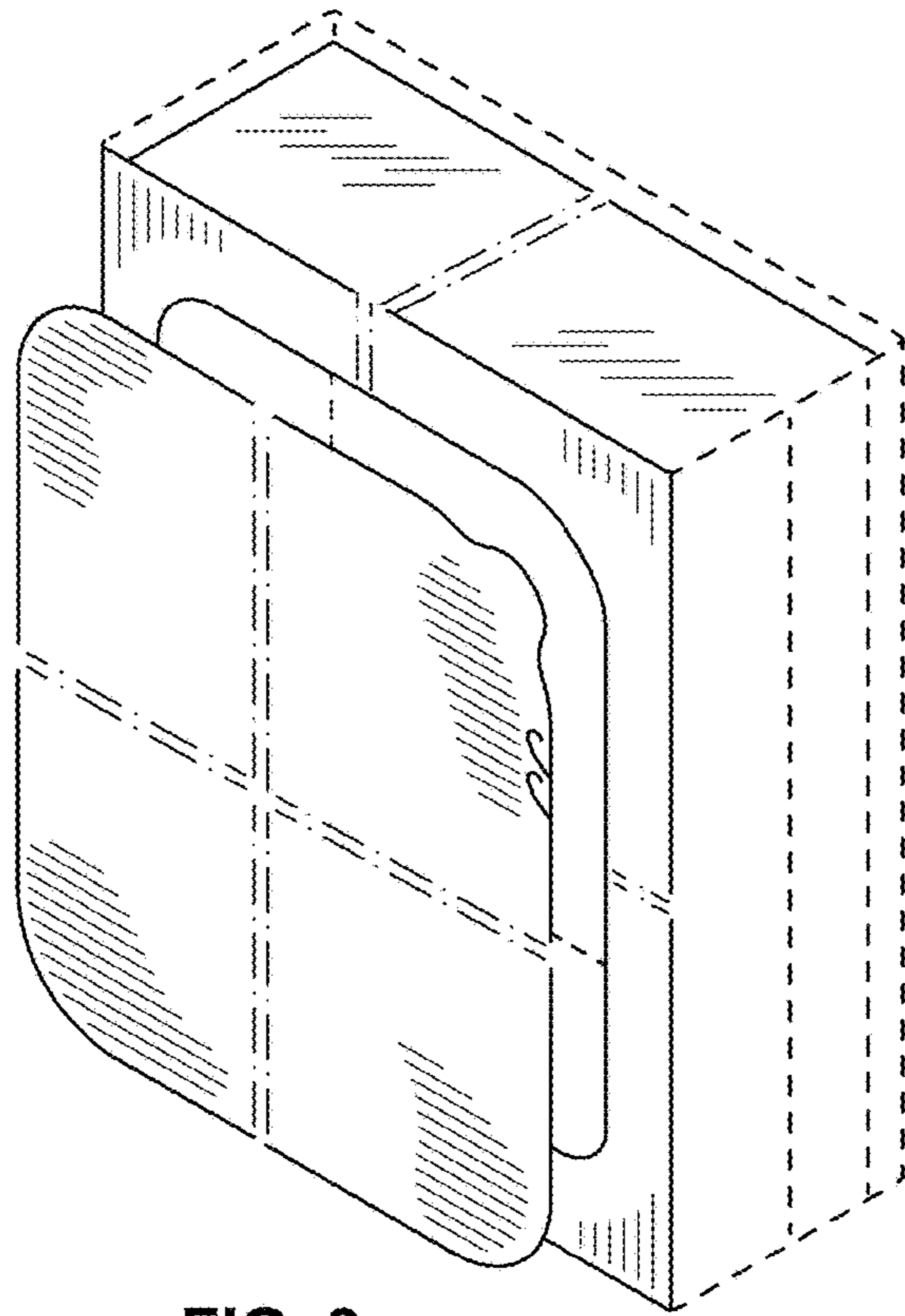


FIG. 9

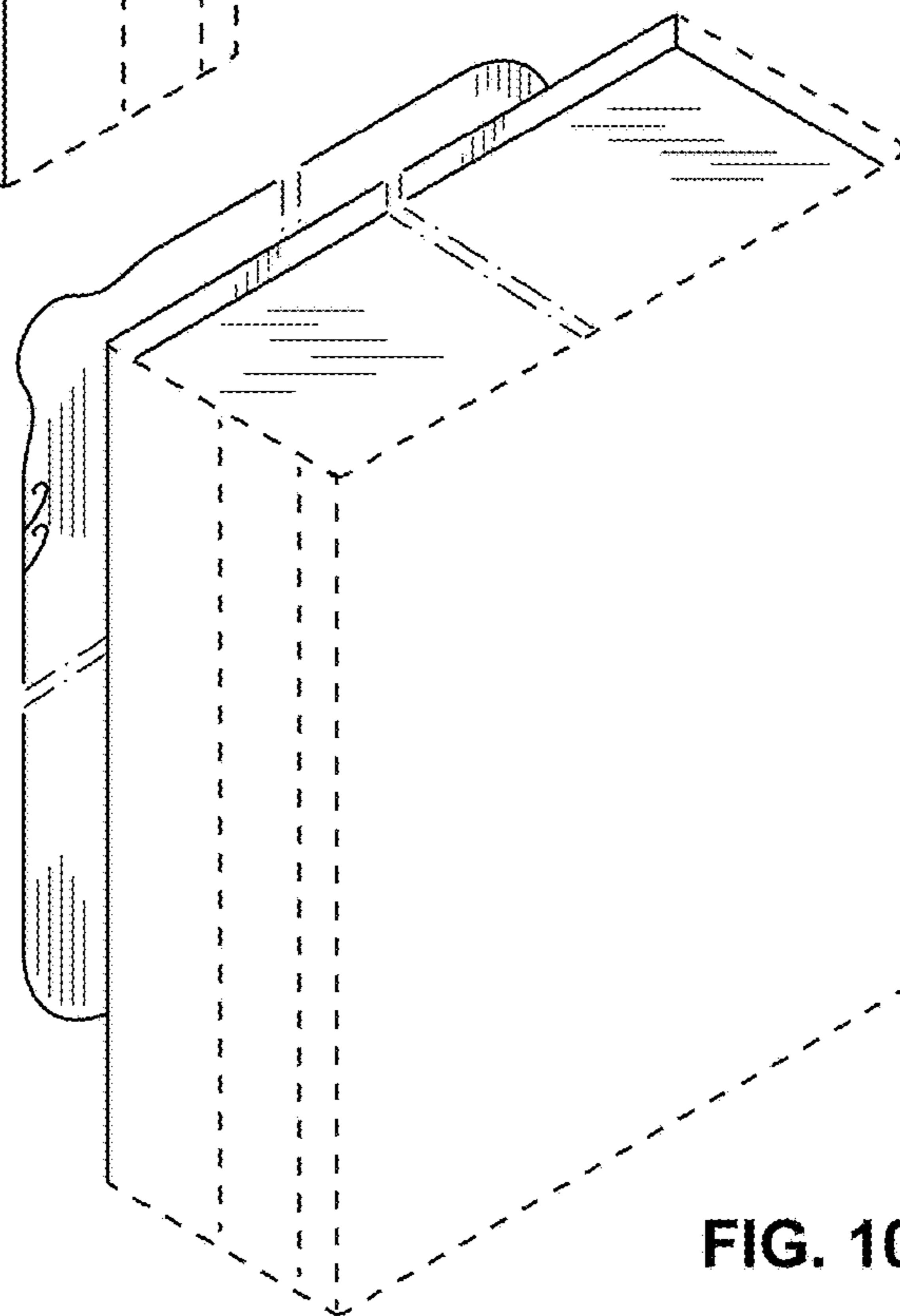


FIG. 10