



US00D876213S

(12) **United States Design Patent**  
**Ramirez et al.**

(10) **Patent No.:** **US D876,213 S**  
(45) **Date of Patent:** **\*\* Feb. 25, 2020**

- (54) **INSERTION TOOL FOR SPARK PLUG PORTS AND OTHER TUBULAR OBJECTS**
- (71) Applicants: **Fidel Ramirez**, Blue Island, IL (US);  
**Miguel Castillo**, Midlothian, IL (US)
- (72) Inventors: **Fidel Ramirez**, Blue Island, IL (US);  
**Miguel Castillo**, Midlothian, IL (US)
- (\*\*) Term: **15 Years**
- (21) Appl. No.: **29/633,589**
- (22) Filed: **Jan. 15, 2018**
- (51) **LOC (12) Cl.** ..... **08-99**
- (52) **U.S. Cl.**  
USPC ..... **D8/499**
- (58) **Field of Classification Search**  
USPC ..... D8/14, 82, 83, 85, 107, 29, 31, 71, 499  
CPC ..... B25B 23/02; B25B 23/10; B25B 27/18;  
B25B 27/14  
See application file for complete search history.

(56) **References Cited**

U.S. PATENT DOCUMENTS

2,320,435	A	6/1943	Hood	
2,360,054	A	10/1944	Otto	
2,511,049	A	6/1950	Coldwell	
3,152,495	A *	10/1964	Neuschotz	..... B25B 27/143 81/53.2
3,280,666	A *	10/1966	Neuschotz	..... B25B 23/103 81/53.2
D220,421	S *	4/1971	Zutter	..... D8/29
3,603,180	A *	9/1971	Alexander	..... B25B 27/143 81/53.2
3,740,814	A *	6/1973	Marshall	..... B25B 23/103 29/264
3,750,259	A	8/1973	Timmons	
3,807,028	A	4/1974	Deluca	
3,900,058	A *	8/1975	McArdle	..... B25B 19/00 81/463
4,316,513	A *	2/1982	Harris	..... E21F 9/00 173/91

5,123,584	A *	6/1992	Harrison	..... B25C 3/006 227/147
D328,844	S *	8/1992	Fritz	..... D8/14
5,259,706	A *	11/1993	Gaut	..... B23G 9/009 408/1 R

(Continued)

FOREIGN PATENT DOCUMENTS

DE 202011102268 U1 8/2011

*Primary Examiner* — Keli L Hill

*Assistant Examiner* — Harold E Blackwell, II

(74) *Attorney, Agent, or Firm* — Lesley A. Wallerstein, LLC

(57) **CLAIM**

The ornamental design for an insertion tool for spark plug ports and other tubular objects, as shown and described.

**DESCRIPTION**

FIG. 1 is a top perspective view of an insertion tool for spark plug ports and other tubular objects according to the present invention.

FIG. 2 is a bottom perspective view of the insertion tool for spark plug ports and other tubular objects of FIG. 1.

FIG. 3 is a bottom view of the insertion tool for spark plug ports and other tubular objects of FIG. 1.

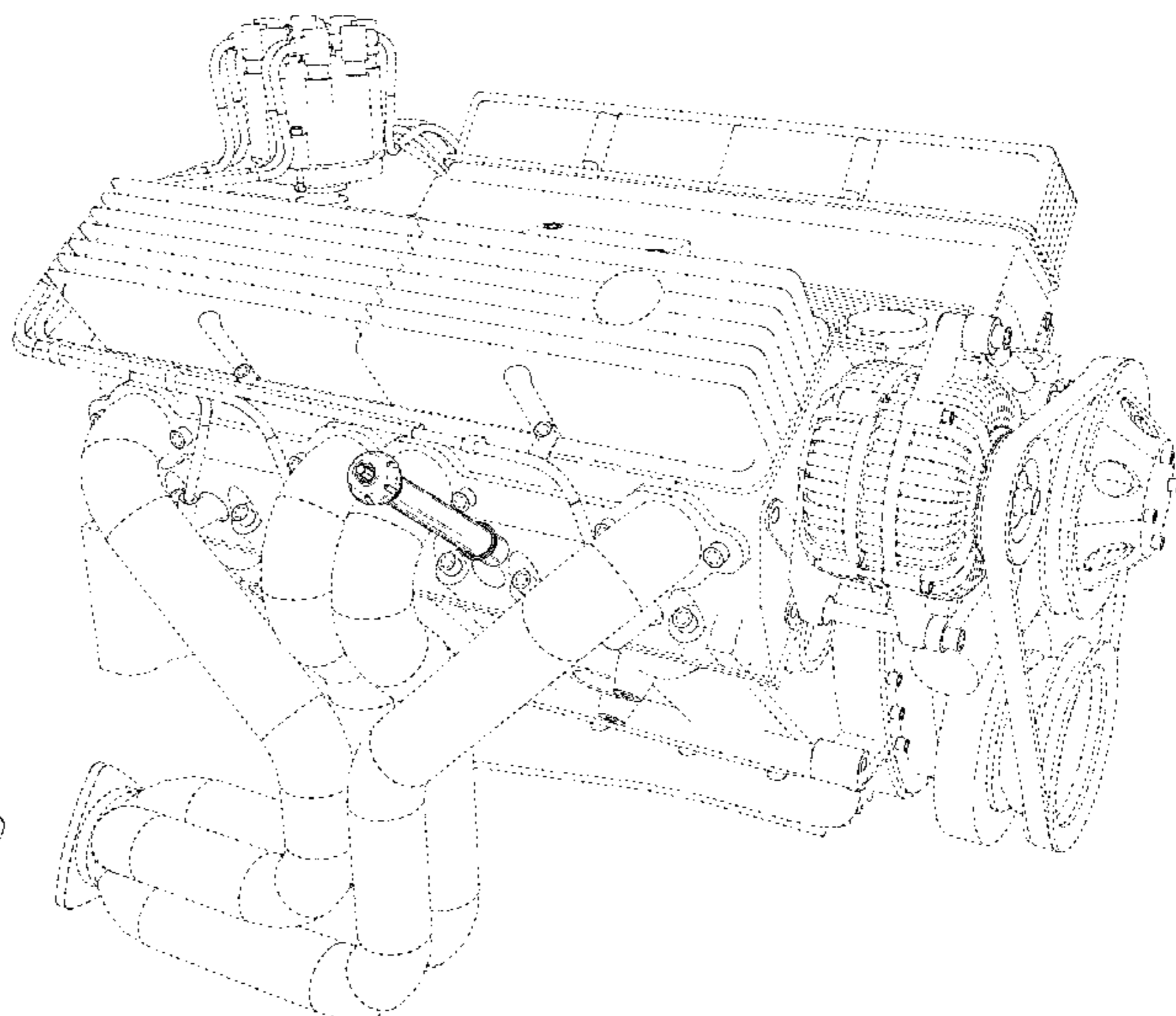
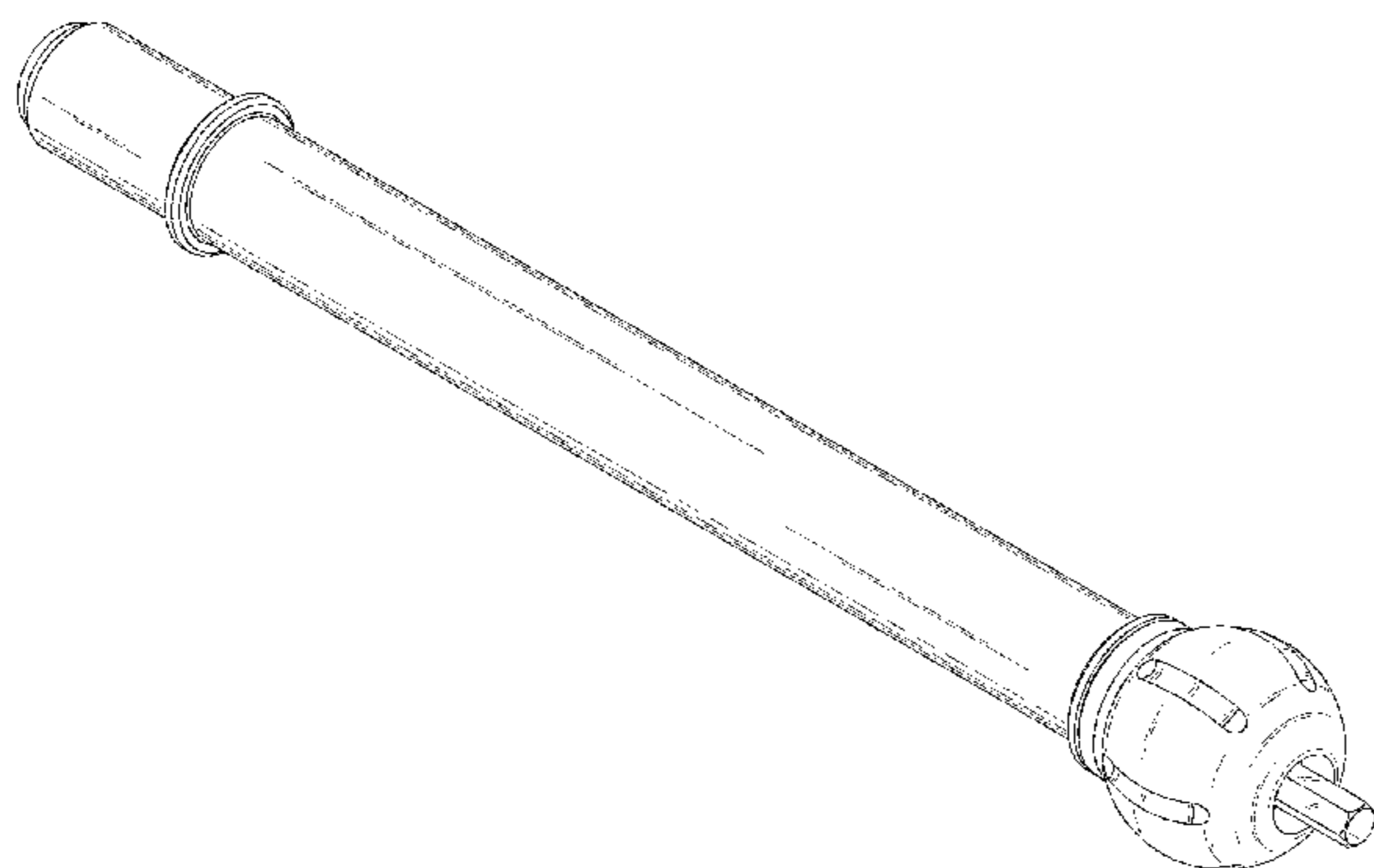
FIG. 4 is a top view of the insertion tool for spark plug ports and other tubular objects of FIG. 1.

FIG. 5 is a side view of the insertion tool for spark plug ports and other tubular objects of FIG. 1; and,

FIG. 6 is an alternative perspective view of the insertion tool for spark plug ports and other tubular objects of FIG. 1, showing the tool inserting a spark plug port into an automobile engine.

The broken line showing of the automobile engine in FIG. 6 illustrates the environment of the claimed design and forms no part thereof.

**1 Claim, 5 Drawing Sheets**



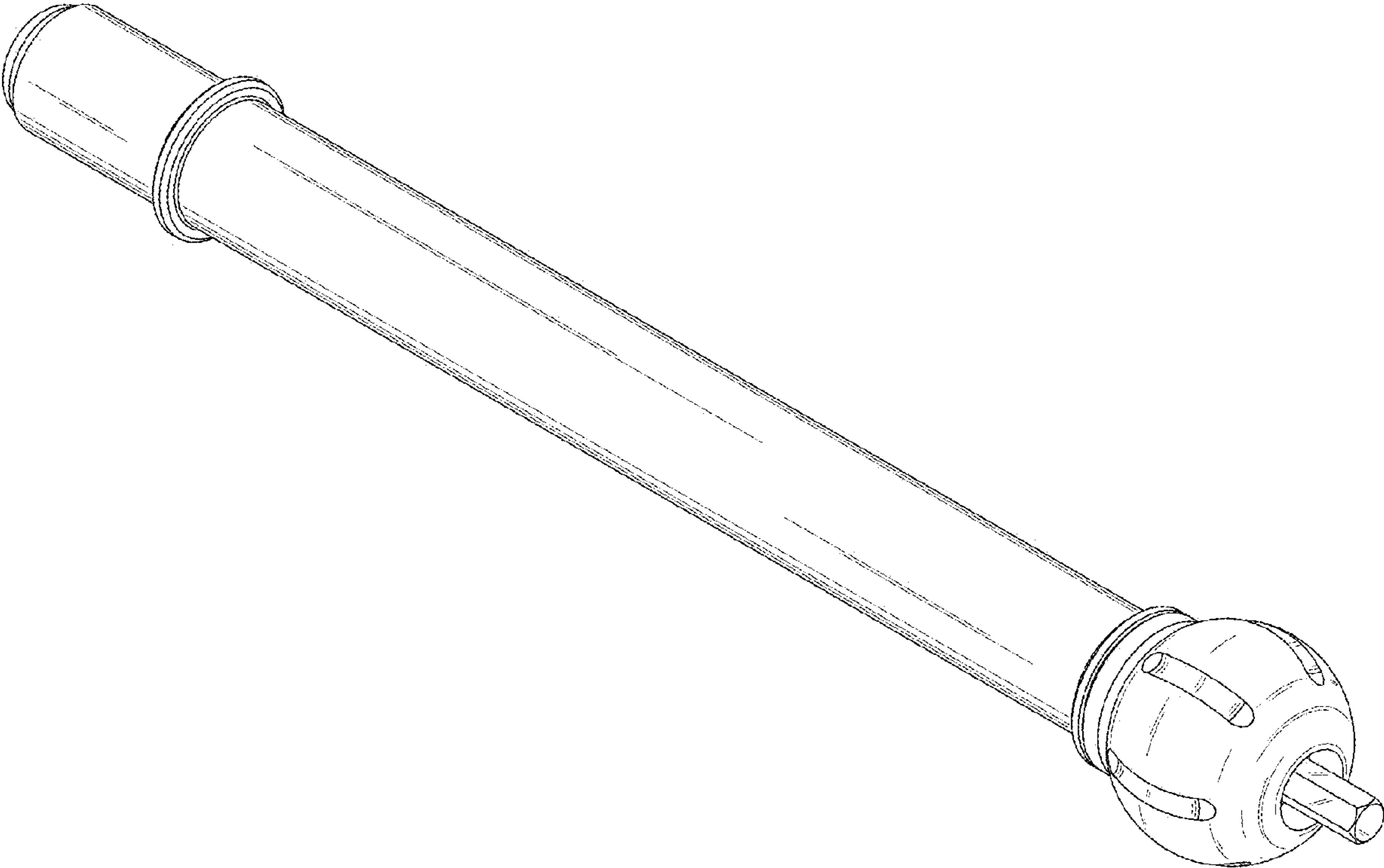
(56)

**References Cited**

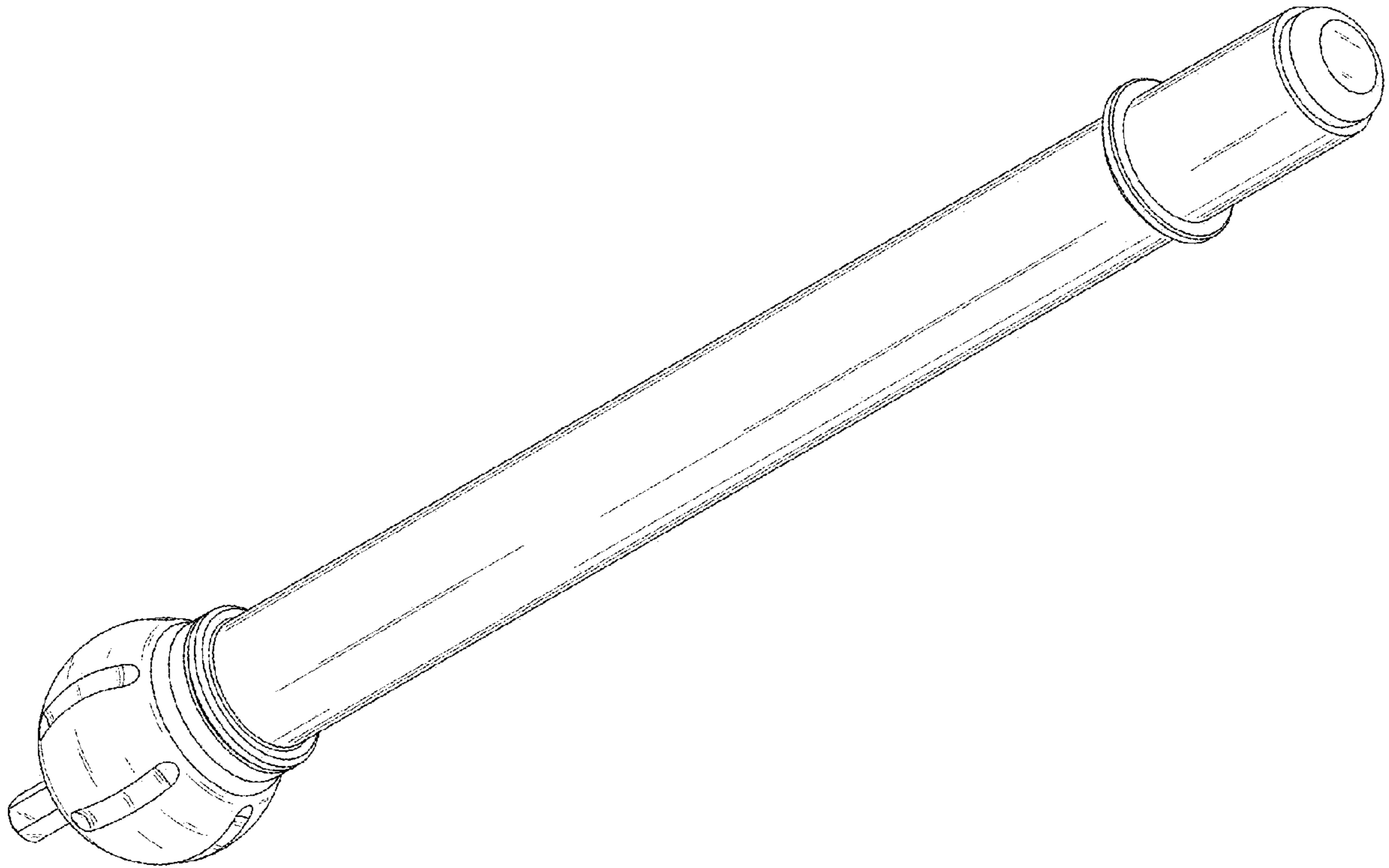
U.S. PATENT DOCUMENTS

5,492,039 A \* 2/1996 Haikal ..... B25B 23/103  
81/53.2  
D379,578 S \* 6/1997 Daniels ..... D8/70  
6,125,726 A 10/2000 Vendetti et al.  
D440,837 S \* 4/2001 Hart ..... D8/14  
D500,433 S \* 1/2005 Klaas ..... D8/14  
D526,546 S \* 8/2006 Jirele ..... D8/29  
7,104,164 B2 \* 9/2006 Jirele ..... B25B 13/483  
7/100  
D570,659 S \* 6/2008 Lin ..... D8/51  
D582,242 S \* 12/2008 Bryan ..... D8/107  
D669,753 S \* 10/2012 Stinson ..... D8/29  
9,468,507 B2 \* 10/2016 Gustafsson ..... A61C 8/0089  
9,808,355 B2 \* 11/2017 Sweeney ..... A61B 17/8811  
2003/0215296 A1 11/2003 Botelle et al.  
2008/0115634 A1 5/2008 Hampton

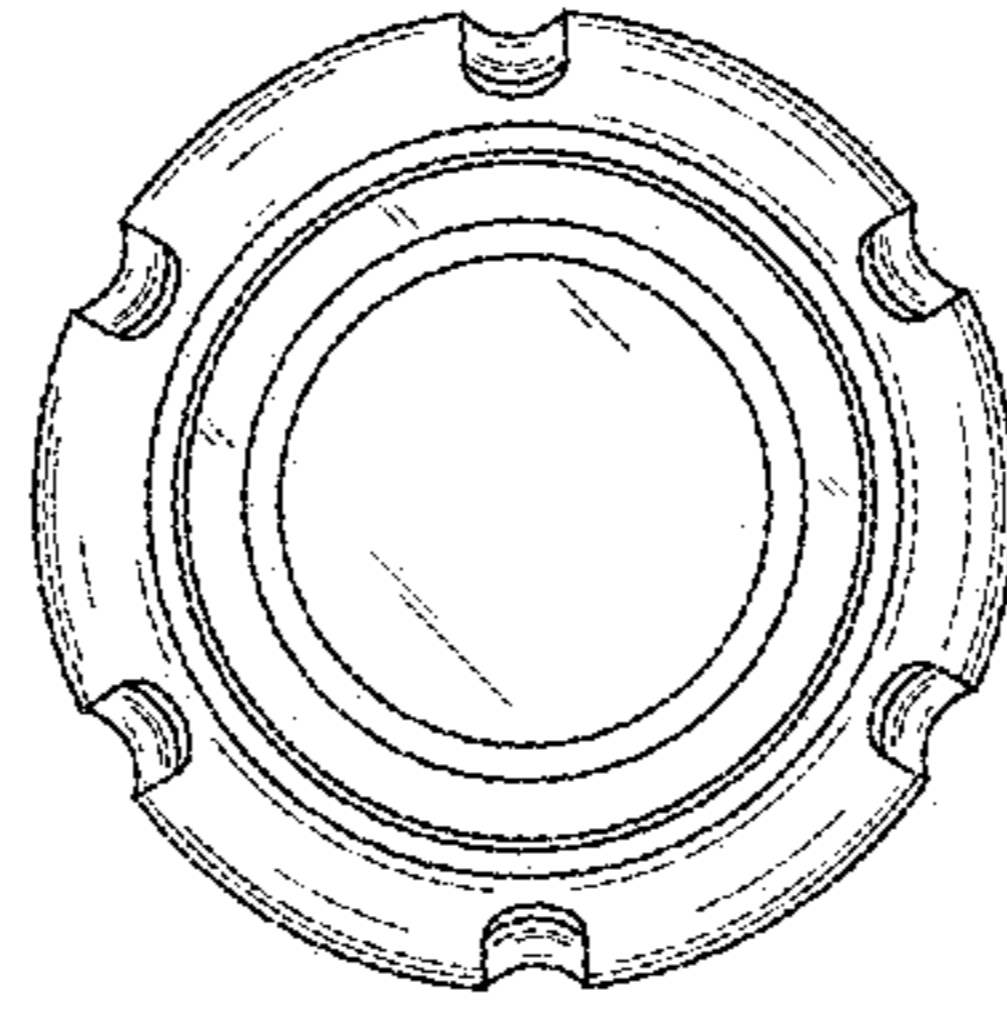
\* cited by examiner



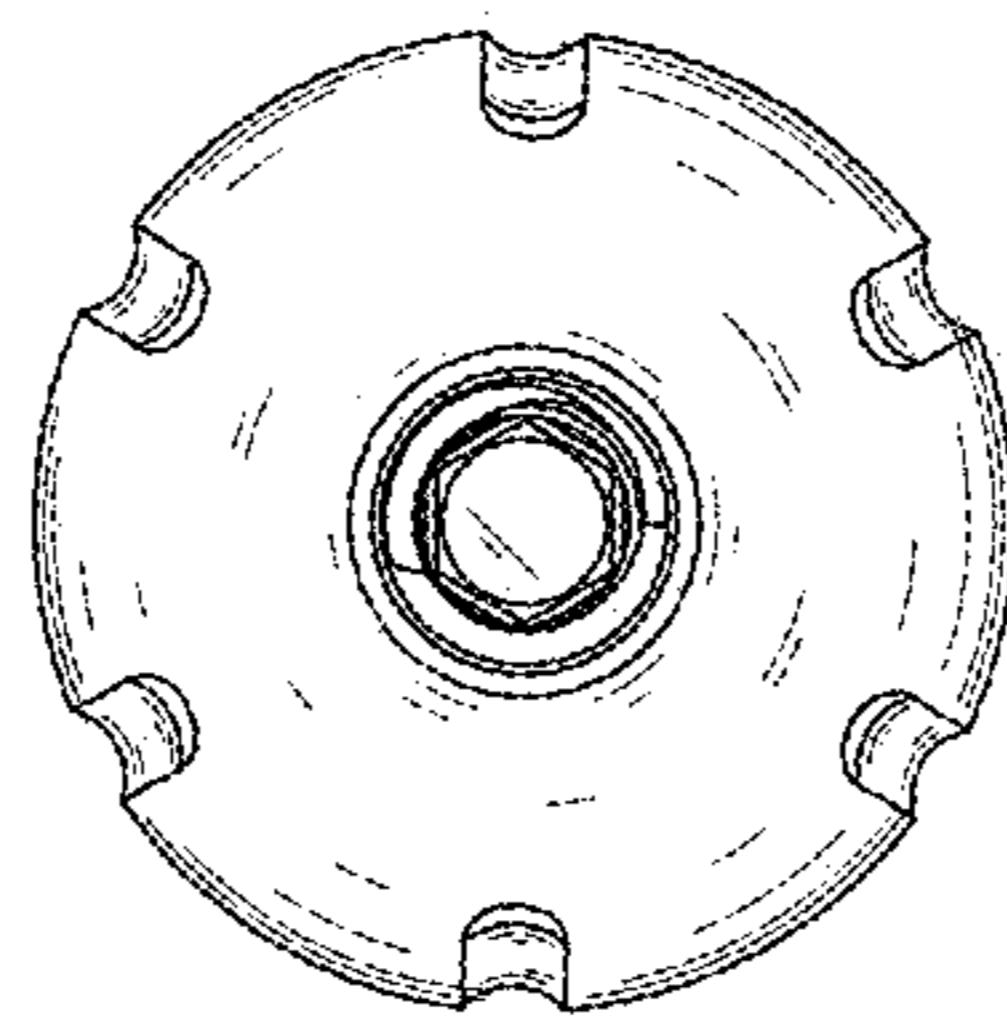
**FIG. 1**



**FIG. 2**



**FIG. 3**



**FIG. 4**

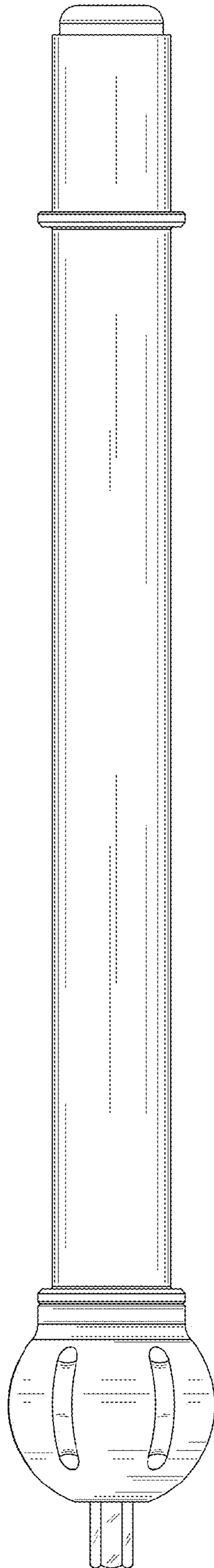


FIG. 5

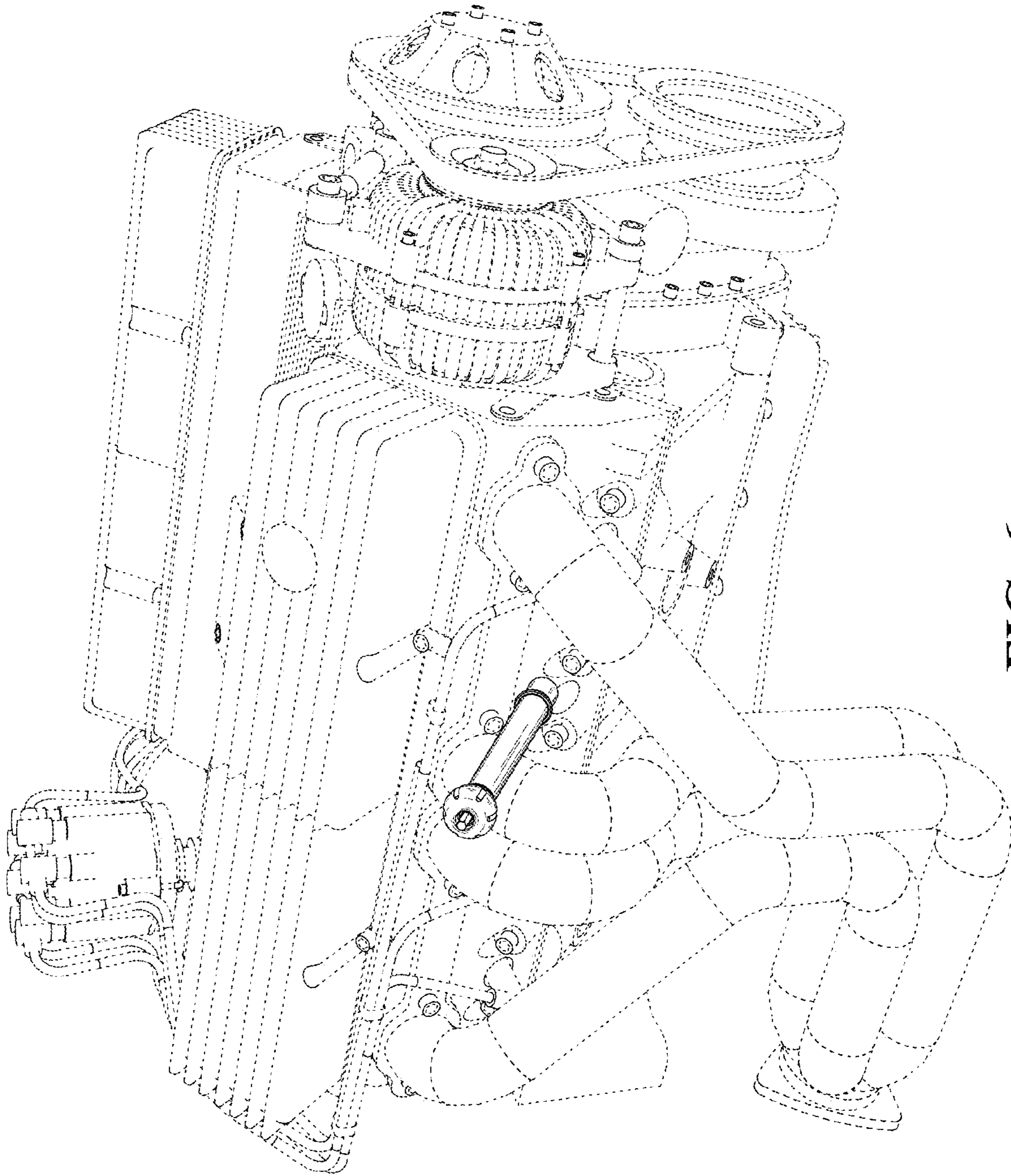


FIG. 6