



US00D876212S

(12) **United States Design Patent**  
**Waldman**

(10) **Patent No.:** **US D876,212 S**

(45) **Date of Patent:** **\*\* Feb. 25, 2020**

(54) **PINCH CLIP HAVING THE SHAPE OF A GUITAR**

(71) Applicant: **Barrett Productions, LLC**, Waban, MA (US)

(72) Inventor: **Dennis Waldman**, Waban, MA (US)

(73) Assignee: **Barrett Productions, LLC**, Waban, MA (US)

(\*\*) Term: **15 Years**

(21) Appl. No.: **29/700,842**

(22) Filed: **Aug. 6, 2019**

**Related U.S. Application Data**

(63) Continuation of application No. 15/442,890, filed on Feb. 27, 2017.

(51) **LOC (12) Cl.** ..... **08-08**

(52) **U.S. Cl.**  
USPC ..... **D8/395**

(58) **Field of Classification Search**  
USPC .... D8/394-395, 71-74, 499, 354, 355, 373;  
D19/65; D11/164, 78.1; D32/35;  
D6/326

CPC . D06F 55/00; A41B 3/08; A41F 15/02; F16B  
19/1081; G09F 3/14; B42F 1/006; B42F  
1/08; B42F 9/001; A47F 7/02

See application file for complete search history.

(56) **References Cited**

**U.S. PATENT DOCUMENTS**

D386,373 S *	11/1997	Weinmuller	.....	D17/20
D501,395 S *	2/2005	Kelleghan	.....	D8/356
D514,434 S *	2/2006	Mariano	.....	D8/395
D525,117 S *	7/2006	Mariano	.....	D8/395
D577,393 S *	9/2008	Nada	.....	D21/503

D599,651 S *	9/2009	Riggsbee	.....	D8/395
D641,224 S *	7/2011	Gupta	.....	D8/72
D645,969 S *	9/2011	Del Solar	.....	D24/194
D658,476 S *	5/2012	van der Lande	.....	D8/348
D667,724 S *	9/2012	Mangano	.....	D8/395
D711,216 S *	8/2014	Monteleone	.....	D8/395
D758,839 S *	6/2016	Kaalberg	.....	D8/395
D788,575 S *	6/2017	Kim	.....	D8/395
D794,437 S *	8/2017	Zinser	.....	D8/395
D795,050 S *	8/2017	Kim	.....	D8/395
D829,541 S *	10/2018	Montgomery	.....	D8/395

\* cited by examiner

*Primary Examiner* — John Windmuller

(74) *Attorney, Agent, or Firm* — Carter, DeLuca & Farrell LLP; David Carter, Esq.

(57) **CLAIM**

What is claimed is the ornamental design for a pinch clip having the shape of a guitar, as shown and described.

**DESCRIPTION**

FIG. 1 is a perspective view of one embodiment of a pinch clip having the shape of a guitar in accordance with the present design;

FIG. 2 is a rear view of the pinch clip having the shape of a guitar of FIG. 1;

FIG. 3 is a front view of the pinch clip having the shape of a guitar of FIG. 1;

FIG. 4 is a left, side view of the pinch clip having the shape of a guitar of FIG. 1;

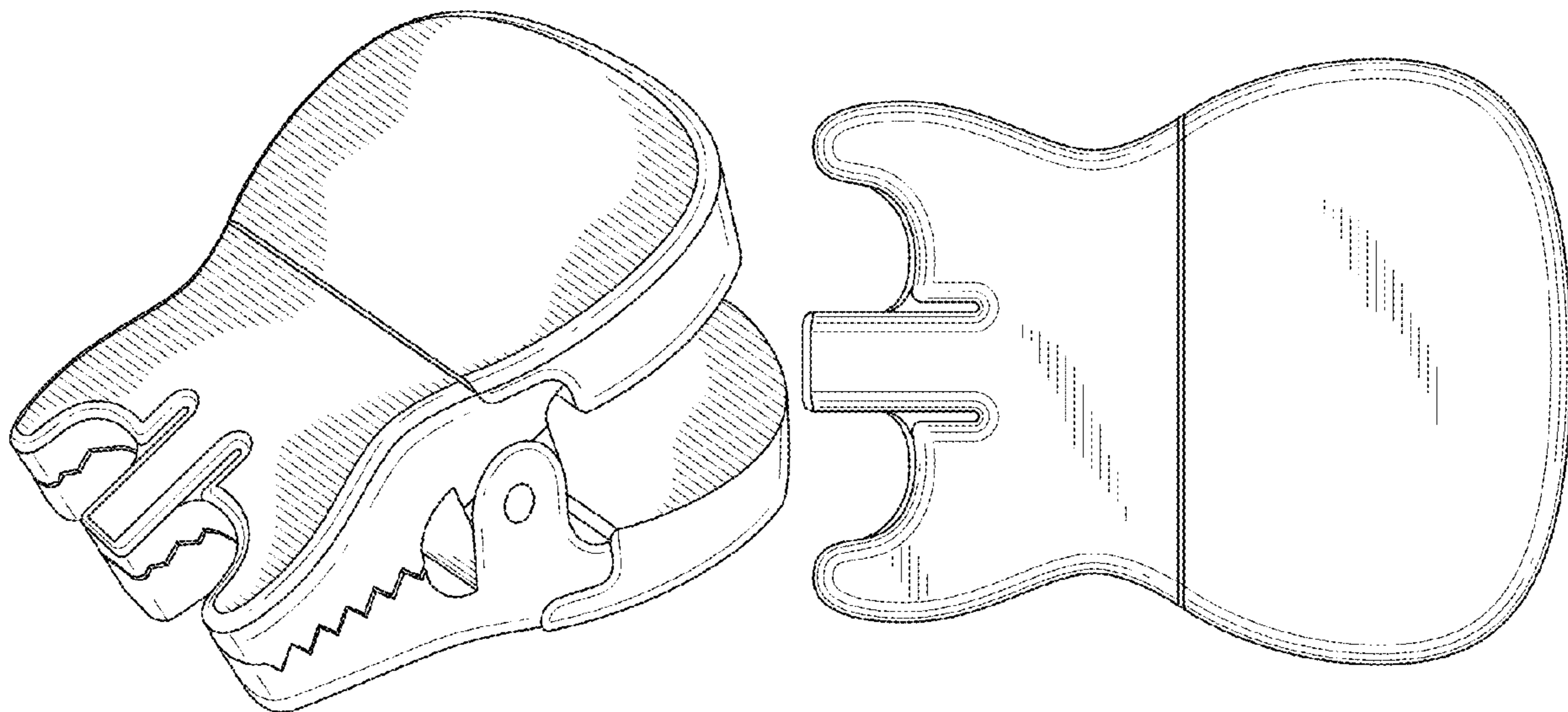
FIG. 5 is a right, side view of the pinch clip having the shape of a guitar of FIG. 1;

FIG. 6 is a bottom view of the pinch clip having the shape of a guitar of FIG. 1; and,

FIG. 7 is a top view of the pinch clip having the shape of a guitar of FIG. 1.

The broken lines depicting a spring are for illustration purposes only and form no part of the claimed design.

**1 Claim, 3 Drawing Sheets**



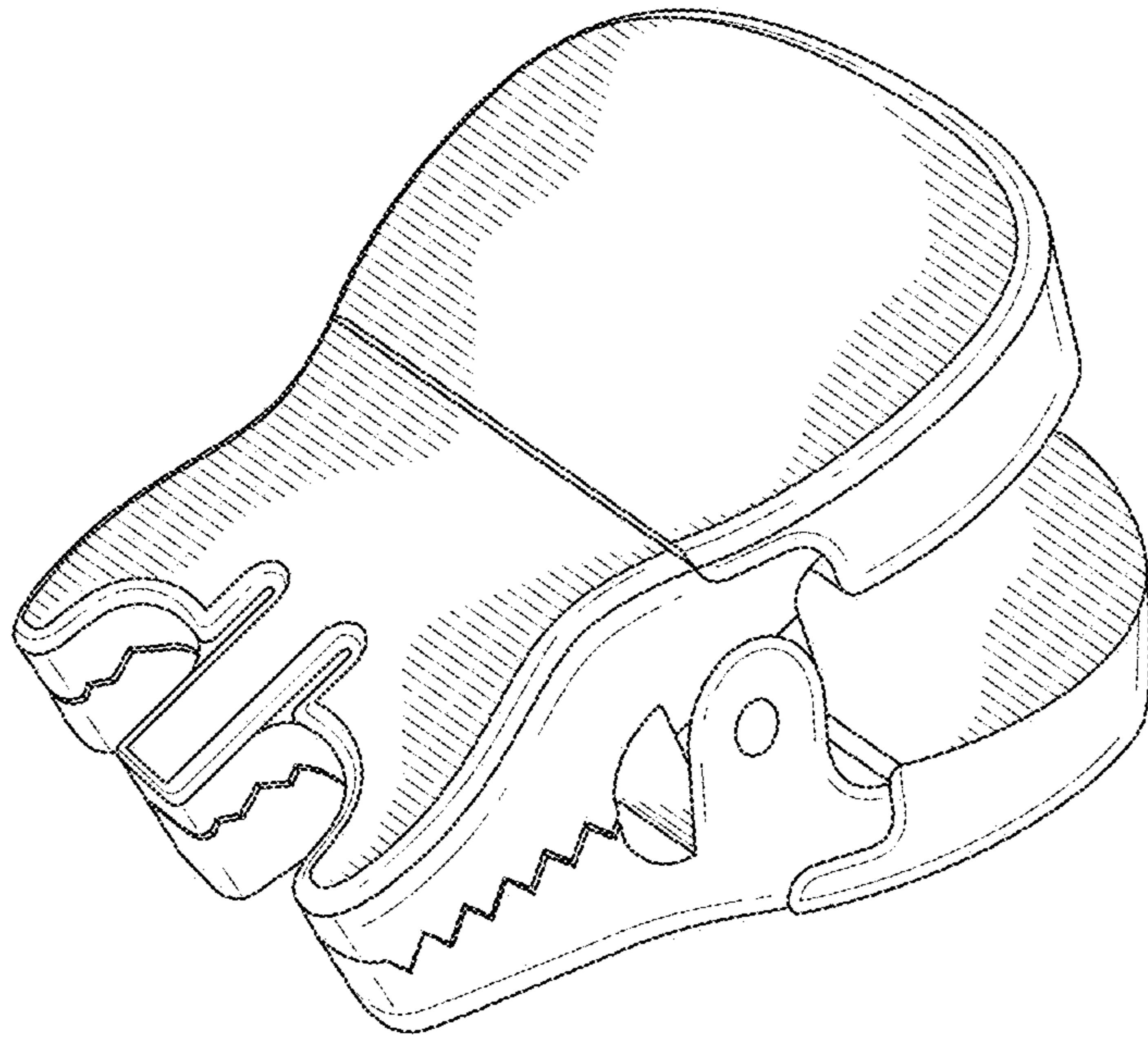


FIG. 1

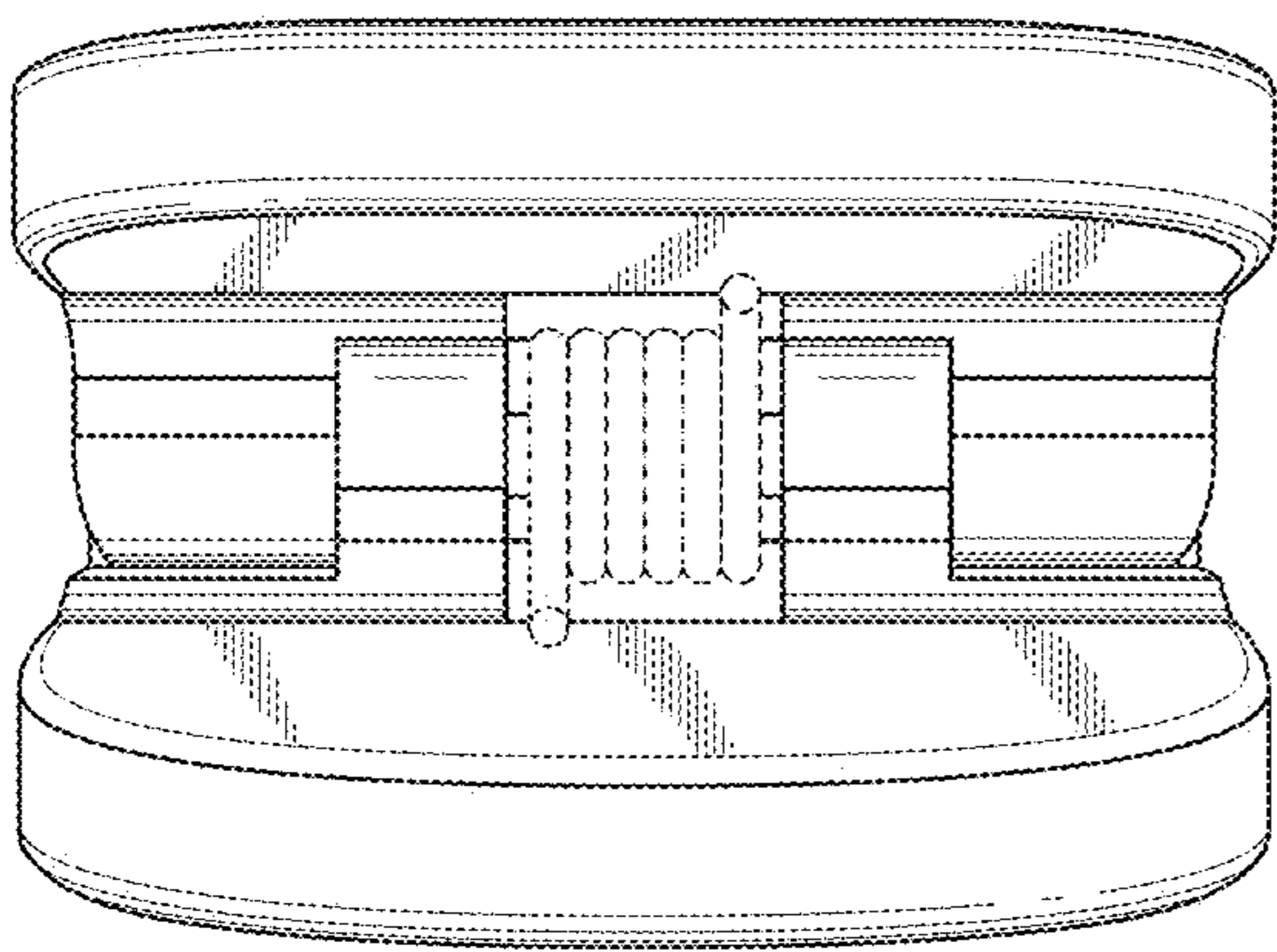


FIG. 2

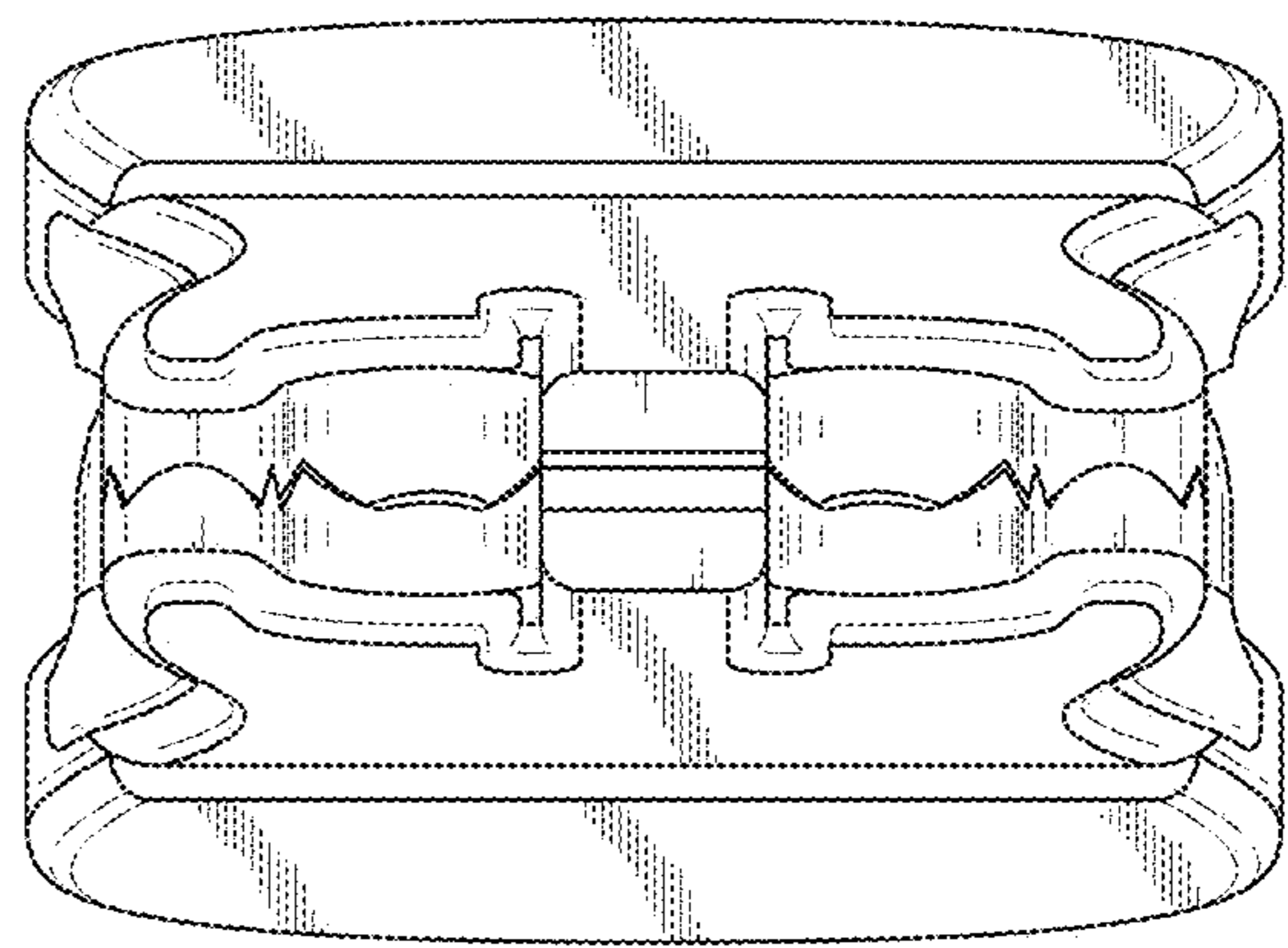


FIG. 3

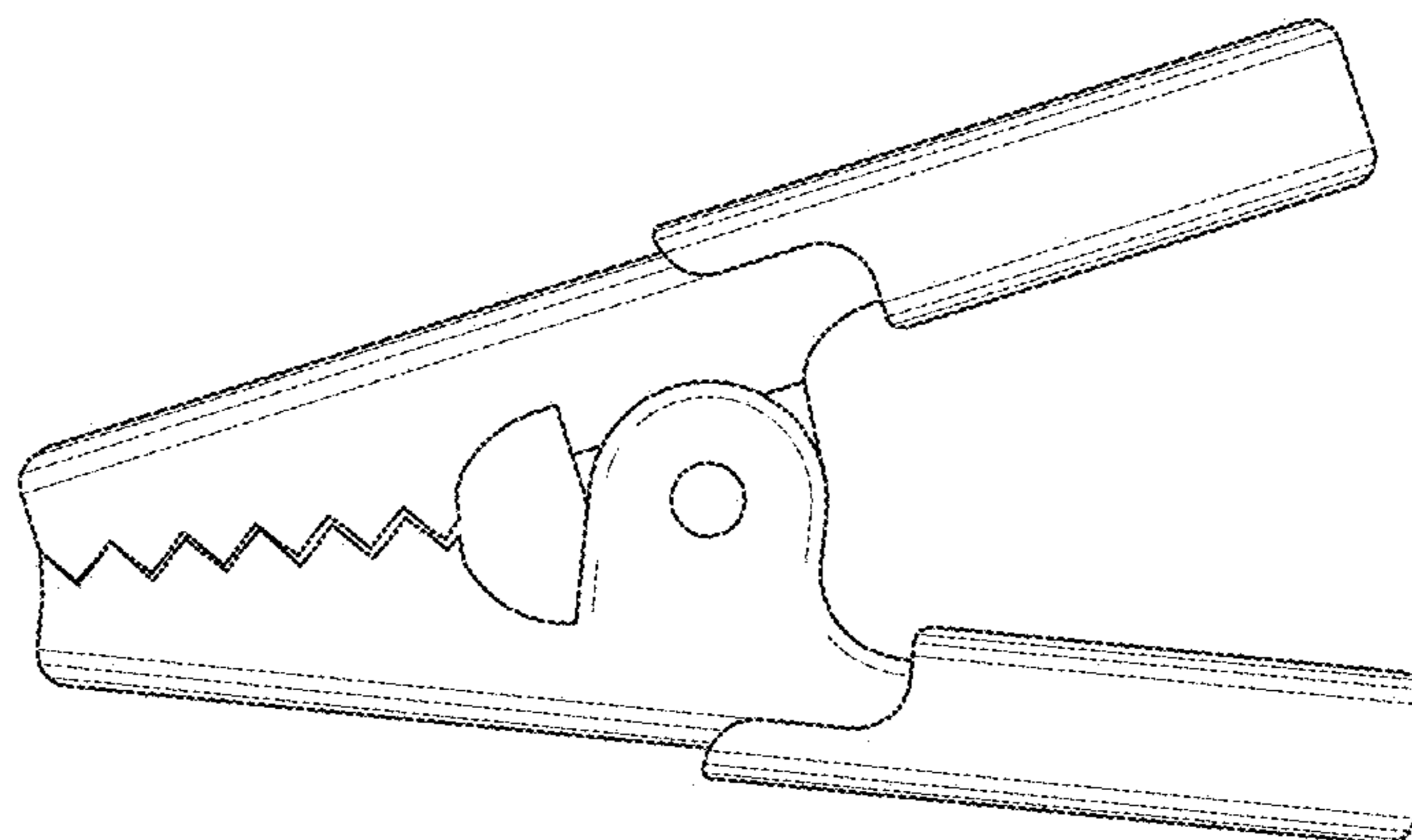


FIG. 4

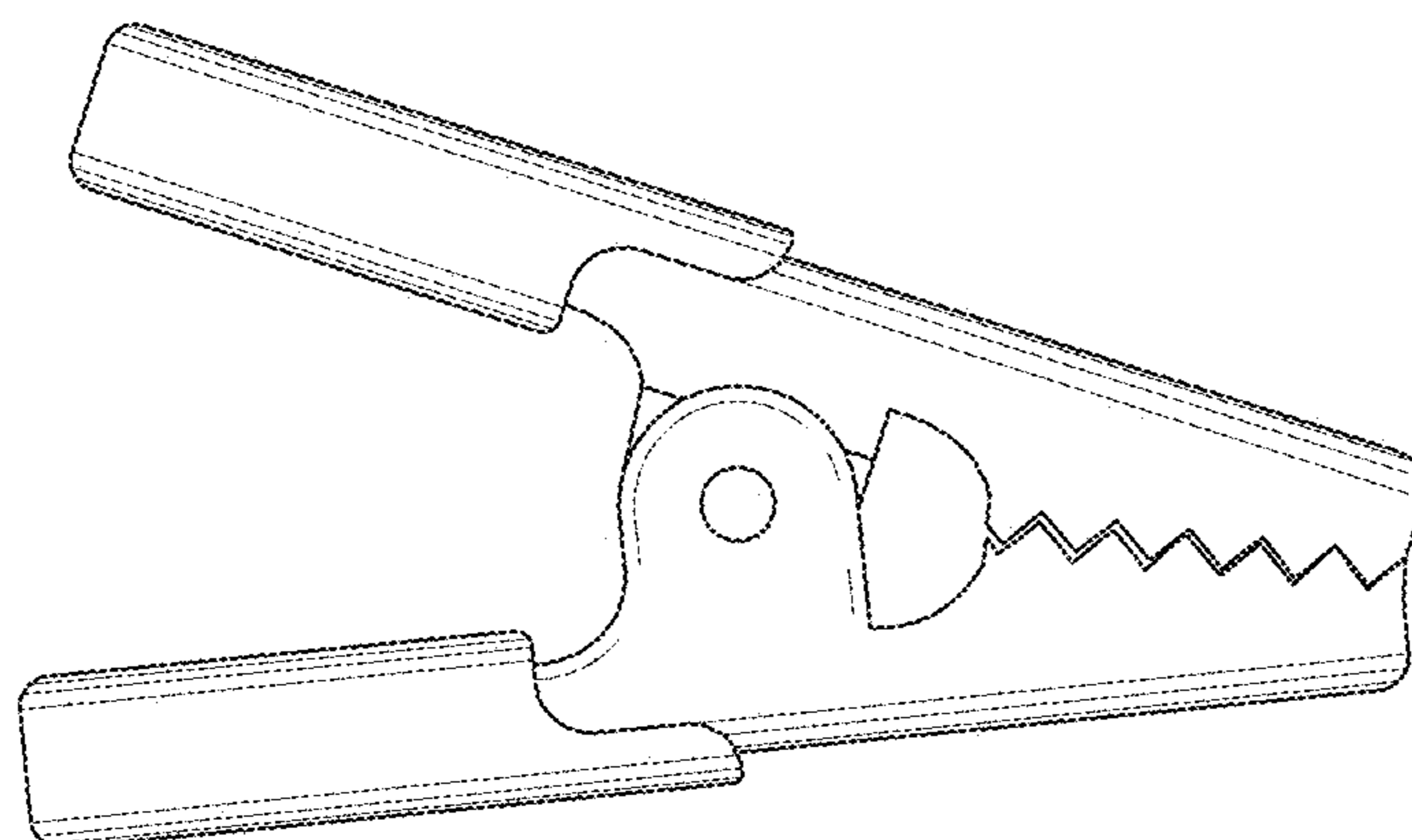
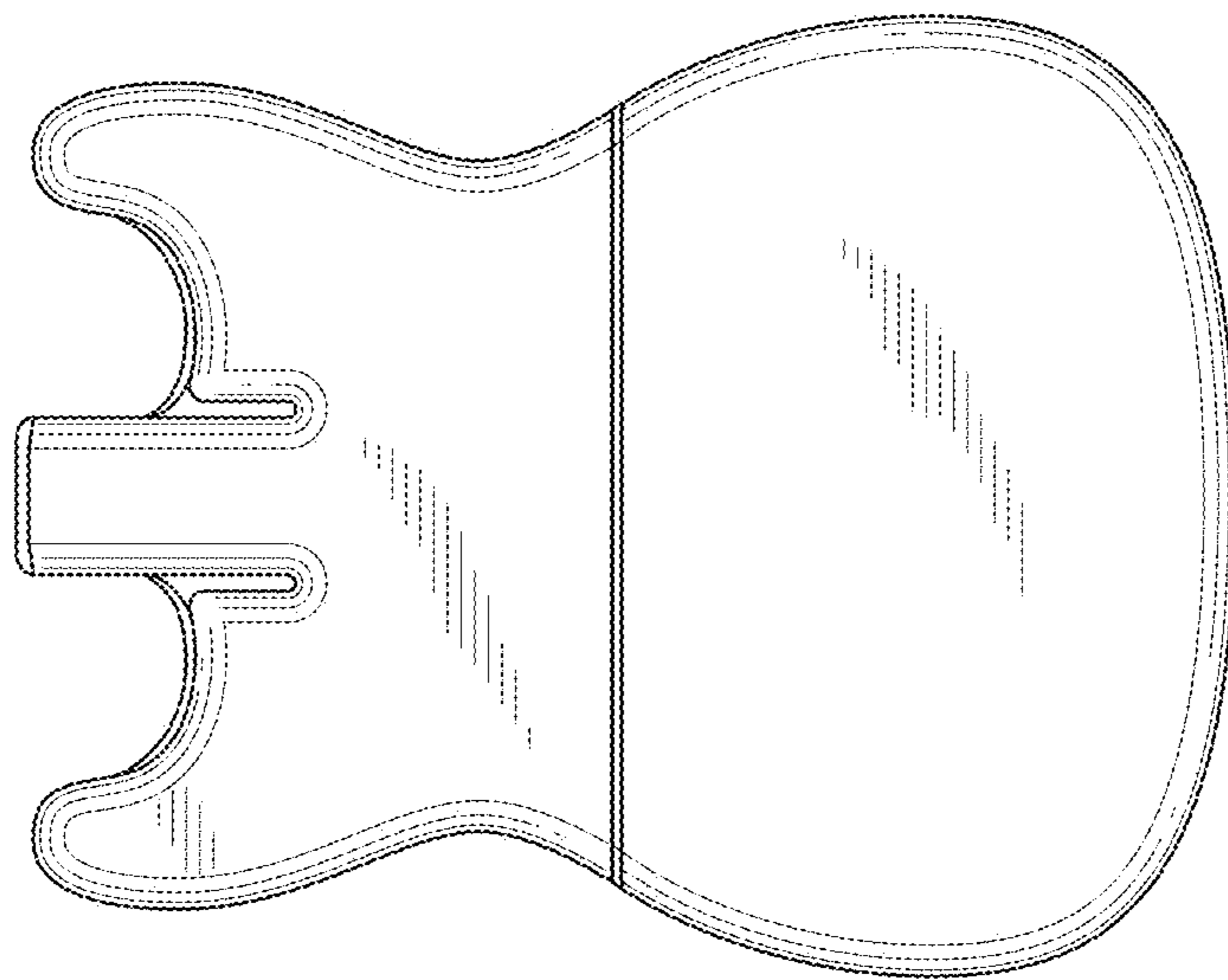
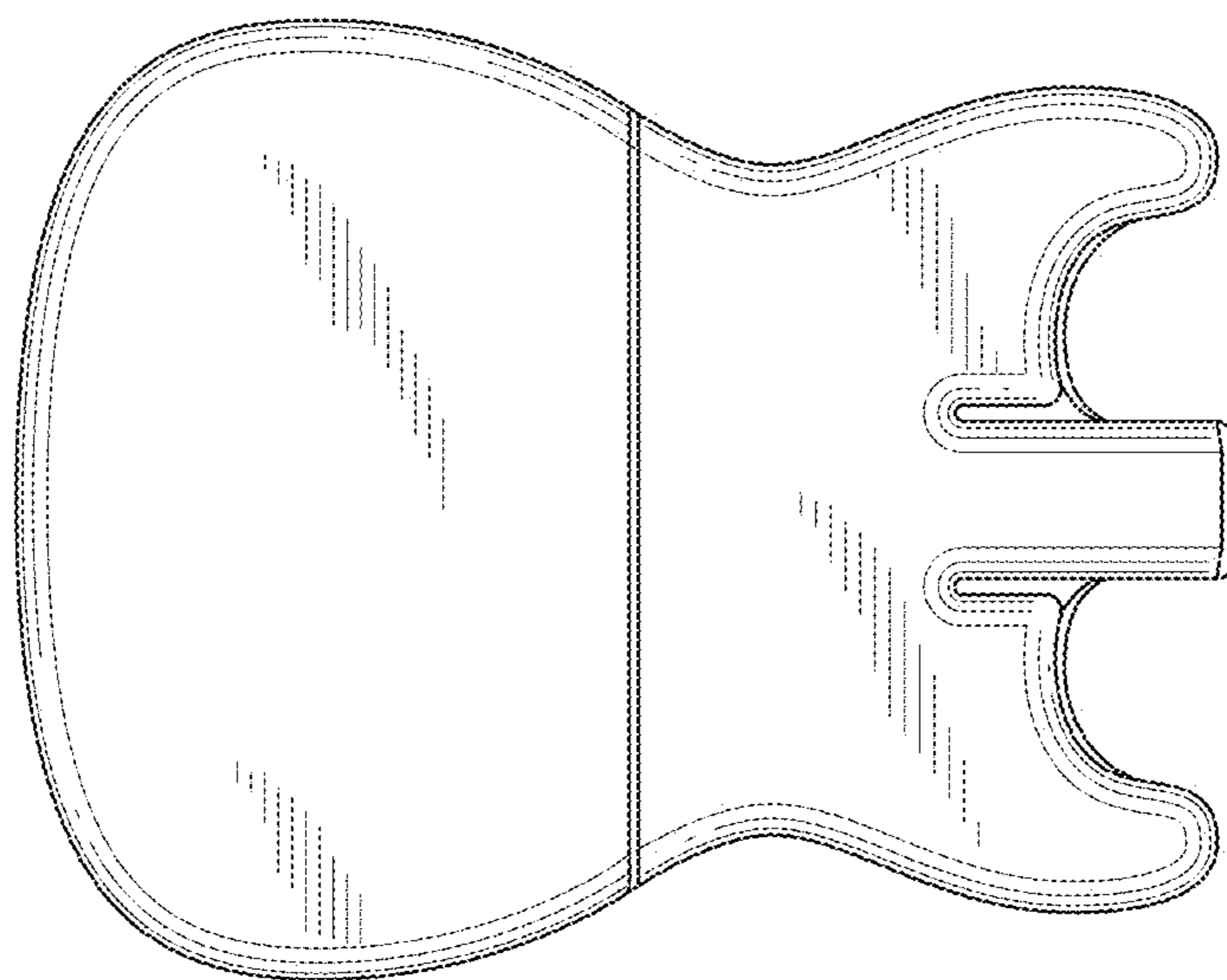


FIG. 5





**FIG. 6**



**FIG. 7**