



US00D876210S

(12) **United States Design Patent**  
**Arnall**

(10) **Patent No.:** **US D876,210 S**

(45) **Date of Patent:** **\*\* Feb. 25, 2020**

(54) **GRILL MOUNTING BRACKET FOR RAILINGS AND RECEIVER HITCHES**

(71) Applicant: **Randall E. Arnall**, Springfield, MO (US)

(72) Inventor: **Randall E. Arnall**, Springfield, MO (US)

(\*\*) Term: **15 Years**

(21) Appl. No.: **29/644,989**

(22) Filed: **Apr. 23, 2018**

**Related U.S. Application Data**

(63) Continuation of application No. 14/724,081, filed on May 28, 2015, now abandoned.

(51) **LOC (12) Cl.** ..... **08-05**

(52) **U.S. Cl.**  
USPC ..... **D8/380**

(58) **Field of Classification Search**  
USPC ..... D8/380, 349, 363, 366, 367, 371, 383, D8/385, 354  
CPC ..... A47B 3/08; B60R 11/00  
See application file for complete search history.

(56) **References Cited**

**U.S. PATENT DOCUMENTS**

746,504 A	12/1903	Hardy et al.	81/143
1,006,057 A	10/1911	Brown	81/143
1,061,876 A	5/1913	Showalter	81/139
1,155,278 A	9/1915	Rush	18/143
1,169,750 A	1/1916	Walsh	18/143
1,367,456 A	2/1921	Brown	81/143
1,609,330 A	12/1926	Thibodeau	440/103
1,988,240 A	1/1935	Ellis	269/220
2,026,001 A	12/1935	Rapnet	81/357
2,114,227 A	4/1938	Kriss	269/145
2,253,895 A	8/1941	Denovich	81/139
2,470,878 A	5/1949	Tate	248/215
2,493,833 A	1/1950	Renyolds	114/361

2,504,721 A	4/1950	Ortoman	81/138
261,825 A	11/1952	Heisig	135/90
2,650,788 A	9/1953	Hulstein	248/231.71
2,714,387 A	8/1955	Meldrum	114/361
2,882,774 A	4/1959	Gutfeld	81/139
2,914,283 A	11/1959	Jorgensen	248/125.1
3,032,046 A	5/1962	Coonradt	135/90
3,124,330 A	3/1964	Robinson	248/228.2

(Continued)

**OTHER PUBLICATIONS**

amazon.com, Arnalls Pontoon Grill Bracket Set-Marine Stainless Steel, June 27, 2012, [https://www.amazon.com/Arnalls-Pontoon-Grill-Bracket-Set/dp/B006707CP8/ref=cm\\_cr\\_ar\\_p\\_d\\_product\\_top?ie=UTF8.\\*](https://www.amazon.com/Arnalls-Pontoon-Grill-Bracket-Set/dp/B006707CP8/ref=cm_cr_ar_p_d_product_top?ie=UTF8.*)

(Continued)

*Primary Examiner* — Janice Hallmark

*Assistant Examiner* — Harold E Blackwell, II

(74) *Attorney, Agent, or Firm* — Jonathan A. Bay

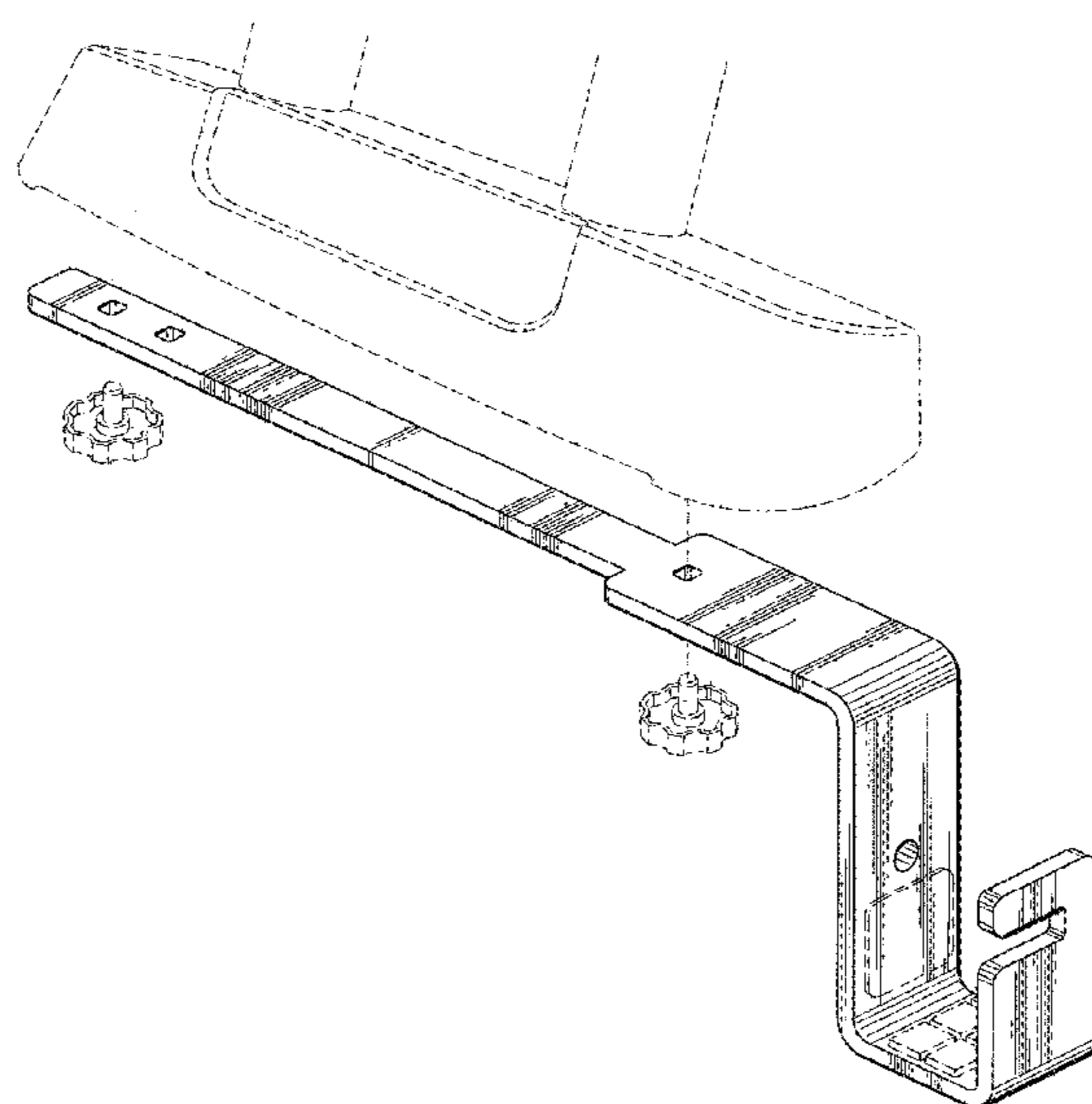
(57) **CLAIM**

The ornamental design for a grill mounting bracket for railings and receiver hitches, as shown and described.

**DESCRIPTION**

FIG. 1 is a perspective view of a grill mounting bracket for railings and receiver hitches showing my new design; FIG. 2 is a perspective view comparable to FIG. 1, except on an enlarged scale; FIG. 3 is a left side elevational view thereof; FIG. 4 is a right side elevational view thereof; FIG. 5 is a top plan view thereof; FIG. 6 is a bottom plan view thereof; FIG. 7 is a rear elevational view thereof; and, FIG. 8 is a front elevational view thereof. The broken lines in the drawing represent environmental subject matter that forms no part of the claimed design.

**1 Claim, 5 Drawing Sheets**



(56)

References Cited

U.S. PATENT DOCUMENTS

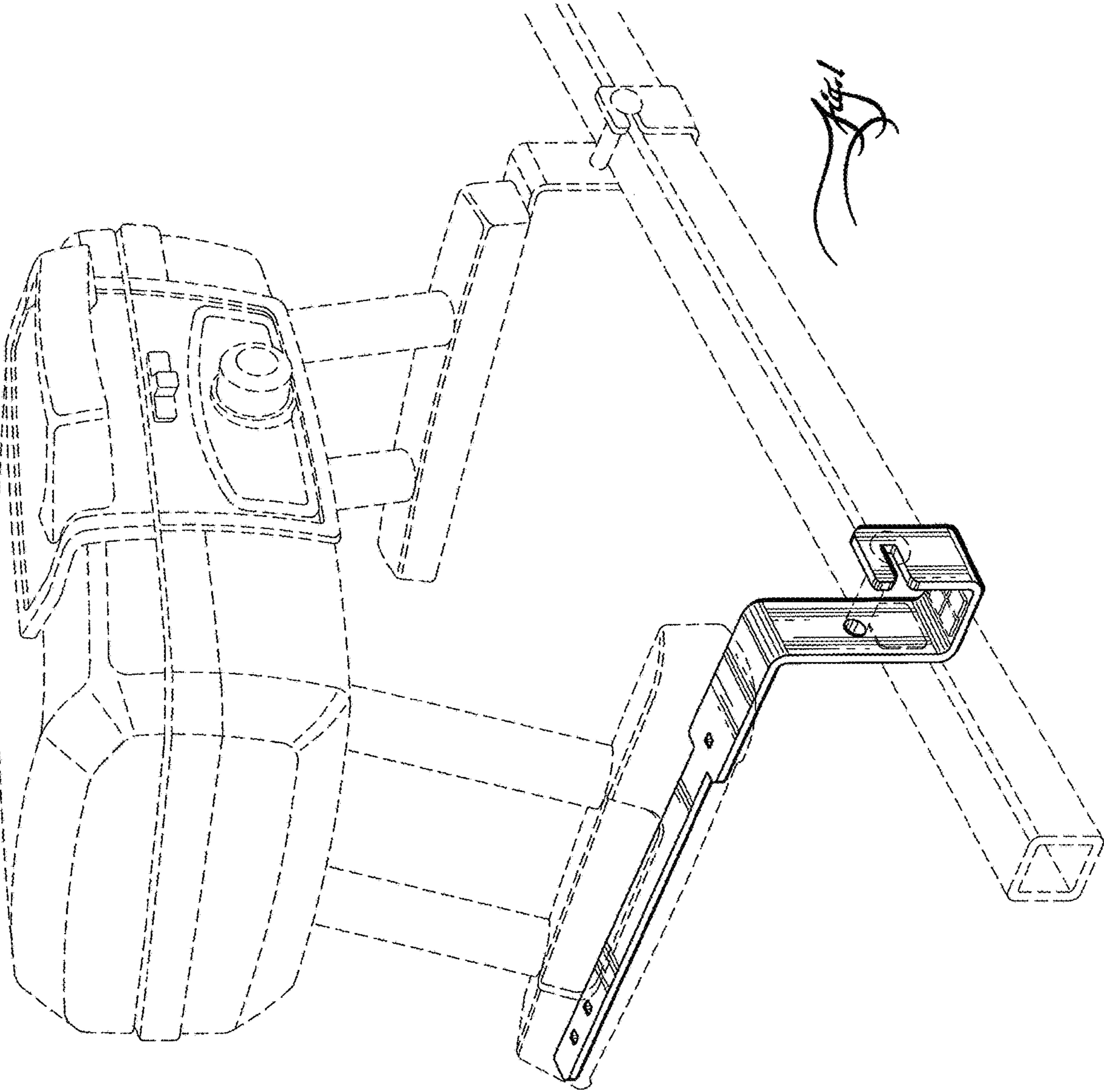
3,354,892 A 11/1967 Frieder ..... 114/361  
 3,367,349 A 2/1968 O'Link ..... 114/361  
 3,530,623 A 9/1970 Burton ..... 52/86  
 3,664,626 A 5/1972 Sneller ..... 248/214  
 3,745,329 A 7/1973 Runey, Jr. .... 362/209  
 3,792,829 A 2/1974 Fickett ..... 248/354  
 4,230,089 A 10/1980 Barden ..... 126/30  
 D258,108 S 2/1981 Cone ..... D7/332  
 4,352,668 A 10/1982 Beevers et al. .... 114/344  
 4,528,768 A 7/1985 Anderson ..... 43/21.2  
 4,672,898 A 6/1987 Davidson ..... 108/6  
 4,786,022 A 11/1988 Grieshaber ..... 248/287.1  
 4,836,127 A 6/1989 Wille ..... 114/343  
 D305,299 S \* 1/1990 Freeman ..... 248/214  
 4,979,456 A 12/1990 Steward ..... 114/351  
 4,993,346 A 2/1991 Rupp ..... 114/255  
 5,070,807 A 12/1991 Lewis ..... 114/361  
 5,118,059 A 6/1992 Mainer ..... 248/215  
 5,222,420 A 6/1993 Sorensen et al. .... 81/487  
 5,305,034 A 4/1994 Aratani ..... 224/265  
 5,310,147 A 5/1994 Billman ..... 248/214  
 5,389,466 A 2/1995 Inoue et al. .... 429/178  
 5,413,063 A 5/1995 King ..... 114/221  
 5,492,258 A 2/1996 Brunner ..... 224/321  
 5,494,553 A 2/1996 Colucci ..... 156/580  
 5,513,838 A 5/1996 Van Rossum ..... 269/203  
 5,832,793 A 11/1998 Collins ..... 81/138  
 5,845,885 A 12/1998 Carnevali ..... 248/118.1  
 6,260,505 B1 7/2001 Polidan ..... 114/361  
 6,474,632 B1 11/2002 Liou ..... 269/6  
 6,561,471 B1 5/2003 Hawie ..... 248/201

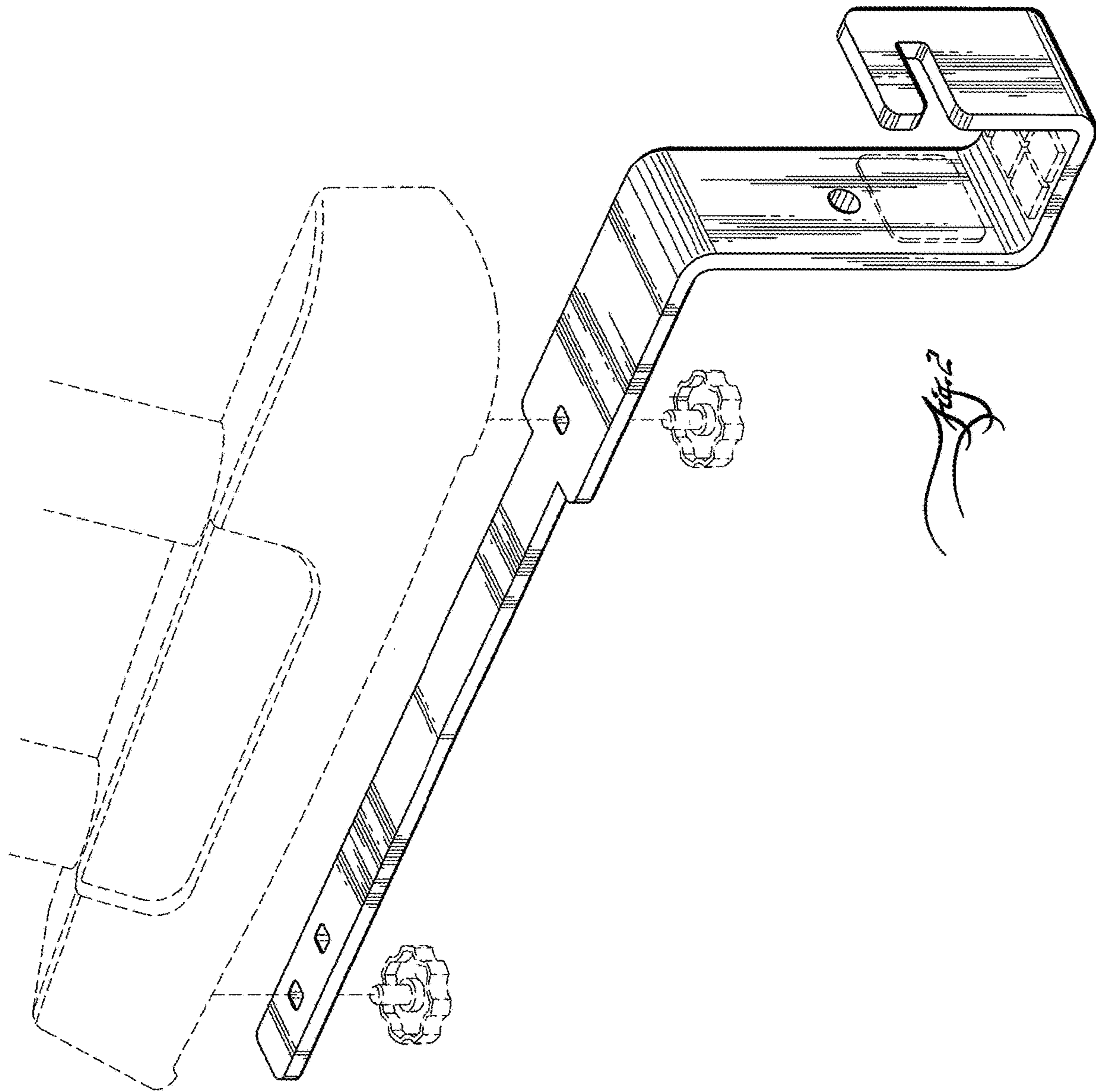
D483,250 S \* 12/2003 Klein ..... D8/373  
 D491,054 S \* 6/2004 Caterinacci, Jr. .... D8/381  
 D494,050 S \* 8/2004 Klein ..... D6/513  
 D494,051 S \* 8/2004 Klein ..... D8/373  
 D494,454 S \* 8/2004 Klein ..... D8/373  
 6,978,731 B2 12/2005 Erbetta ..... 114/361  
 7,063,297 B2 6/2006 Jopling ..... 248/292.12  
 7,077,711 B1 7/2006 Moore ..... 439/864  
 7,603,960 B1 10/2009 Perry et al. .... 114/364  
 7,909,314 B2 3/2011 Roesch et al. .... 269/6  
 7,934,711 B2 5/2011 Wong ..... 269/45  
 8,226,074 B1 7/2012 Hughey ..... 269/155  
 8,844,917 B2 9/2014 Buske ..... 269/143  
 2004/0040553 A1 3/2004 McKoski ..... 126/276  
 2004/0045493 A1 3/2004 Schmidt ..... 114/361  
 2004/0164211 A1 \* 8/2004 Orona ..... B61D 33/005  
 248/214  
 2005/0188507 A1 \* 9/2005 Adams ..... A47G 25/0614  
 16/416  
 2005/0247747 A1 11/2005 Henry ..... 224/401  
 2006/0086306 A1 4/2006 Murphy ..... 114/361  
 2006/0090686 A1 5/2006 Thompson ..... 114/631  
 2006/0137593 A1 6/2006 Brooks et al. .... 114/361

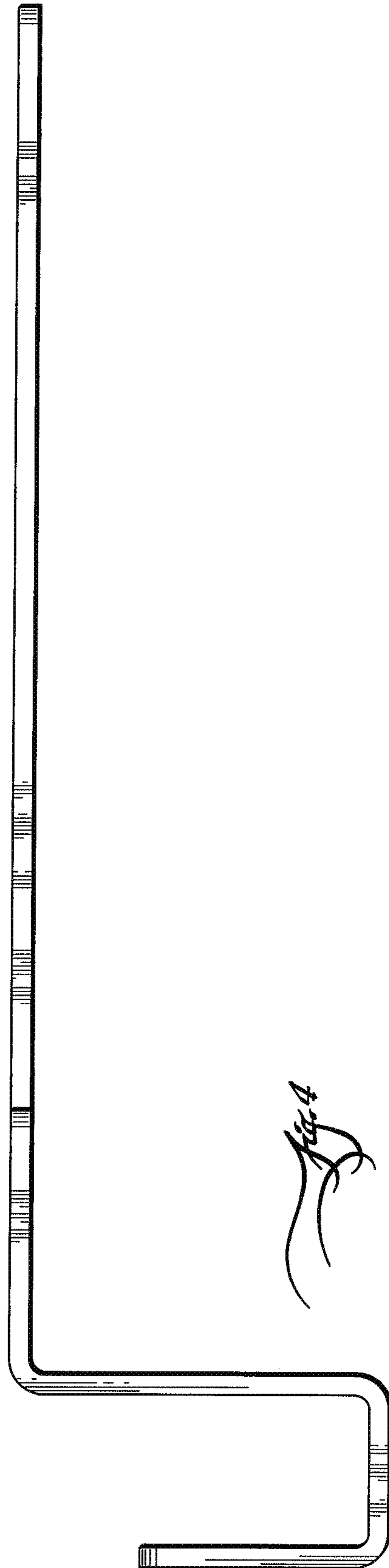
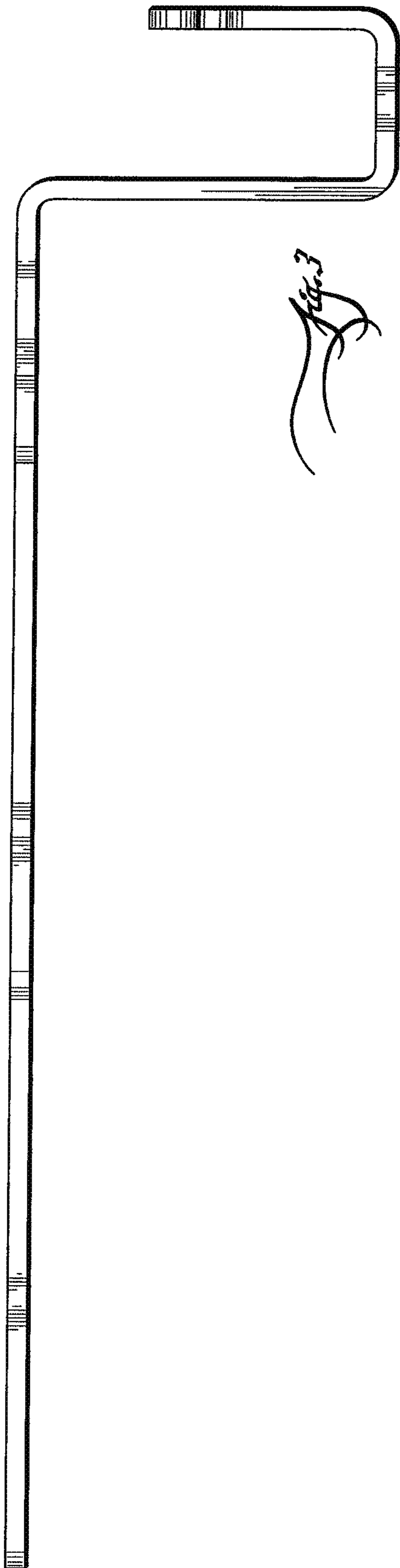
OTHER PUBLICATIONS

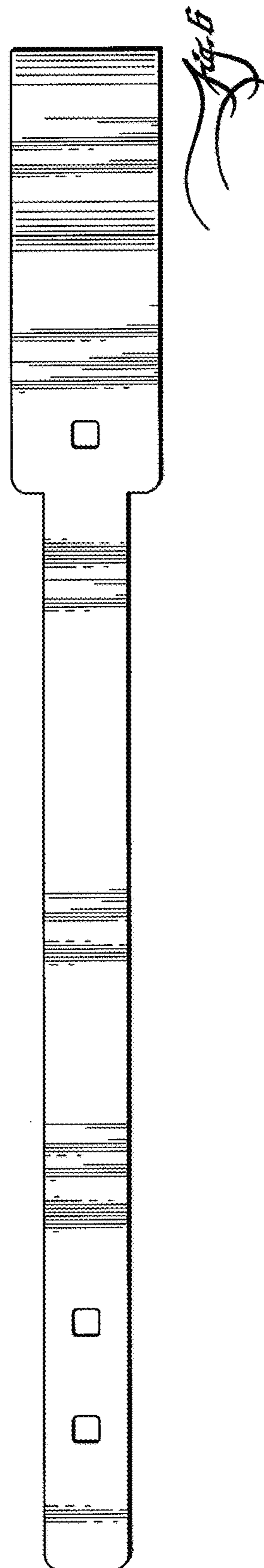
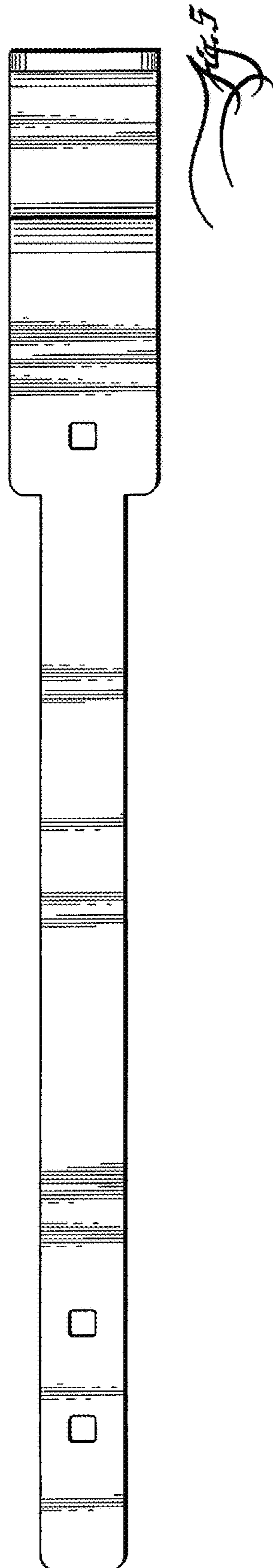
amazon.com, Arnalls Pontoon Grill Bracket Set-Marine Stainless Steel, June 27, 2012, [https://www.amazon.com/Arnalls-Pontoon-Grill-Bracket-Set/product-reviews/B006707CP8/ref=cm\\_cr\\_getr\\_d\\_paging\\_btm\\_next\\_10?ie=UTF8&reviewerType=all\\_reviews&pageNumber=10&sortBy=recent.\\*](https://www.amazon.com/Arnalls-Pontoon-Grill-Bracket-Set/product-reviews/B006707CP8/ref=cm_cr_getr_d_paging_btm_next_10?ie=UTF8&reviewerType=all_reviews&pageNumber=10&sortBy=recent.*)

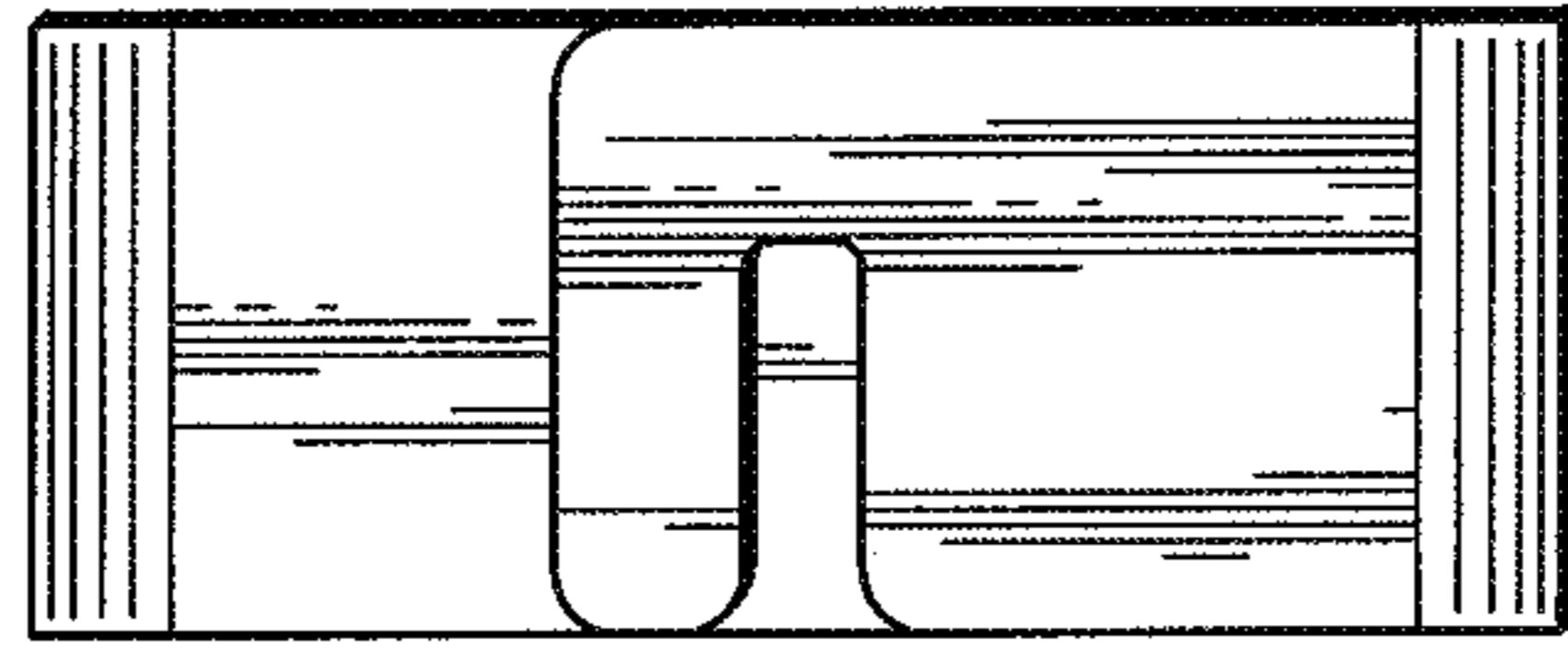
\* cited by examiner



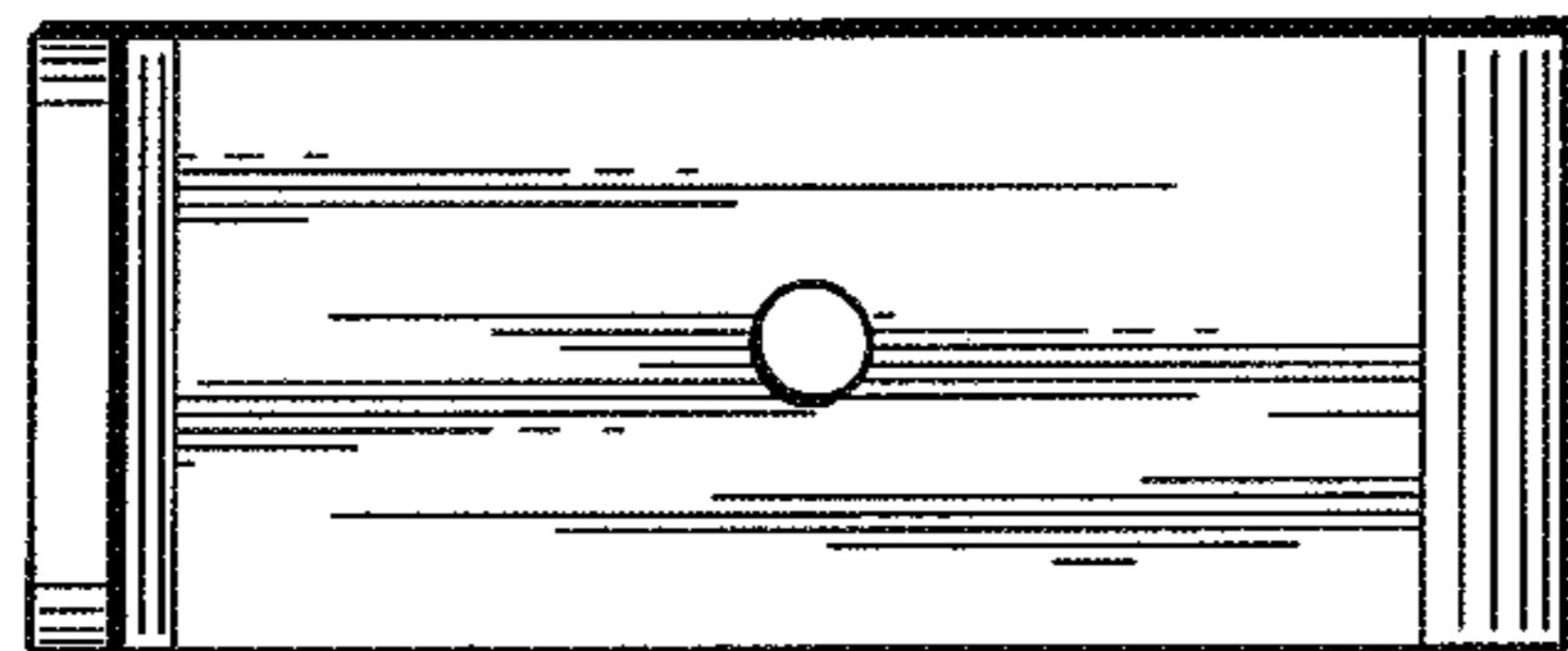








*Fig. 8*



*Fig. 7*