



US00D876208S

(12) **United States Design Patent** (10) **Patent No.:** **US D876,208 S**
Dunn (45) **Date of Patent:** **** Feb. 25, 2020**

(54) **WINDING CORE**

(71) Applicant: **Souhegan Wood Products, Inc.**,
Wilton, NH (US)

(72) Inventor: **Randolph A Dunn**, Wilton, NH (US)

(73) Assignee: **Souhegan Wood Products Inc.**, Wilton,
NH (US)

(**) Term: **15 Years**

(21) Appl. No.: **29/616,803**

(22) Filed: **Sep. 8, 2017**

(51) **LOC (12) Cl.** **08-05**

(52) **U.S. Cl.**
USPC **D8/358**

(58) **Field of Classification Search**

USPC D08/373, 358, 359, 354, 71, 330, 336,
D08/351, 356, 360.1, 363, 364, 367, 370,
D08/372, 379, 381, 382, 395, 396;
D06/349, 352; D09/426, 502, 750;
D10/72, 73, 89; D11/79, 93; D13/103,
D13/107, 152, 183; D19/67; D21/673,
D21/674, 675, 839, 840; D25/19, 62, 68,
D25/69; D26/40, 49; D29/122, 124;
D30/153, 155
CPC B65H 75/40; B65H 75/4407;
B65H 75/4471; B65H 2701/34; B65H
2701/32; B65H 2511/142; B65H 29/008;
B65H 2701/33; B65H 54/585; B65H
51/22; B65H 75/08; B65H 75/02; B65H
2301/41485; B65H 75/4468; B65H
2301/414323; B65H 2301/414325; B65H
16/02; B65H 2301/4131; B65H 75/403;
B65H 75/441; B65D 85/66; B65D 85/67;
B66D 3/006; B66D 3/18; B66D 3/26;
B66D 3/02; B66D 3/14; B63B 21/18;
B63B 21/26; B65B 57/005; A61G
7/1051; A61G 7/1061; B66B 11/08;
A62C 33/04; B08B 2203/0276;

(Continued)

(56) **References Cited**

U.S. PATENT DOCUMENTS

503,227 A 8/1893 Benham
1,015,244 A 1/1912 Parker
(Continued)

FOREIGN PATENT DOCUMENTS

EP 605914 A1 7/1994
EP 747205 A2 12/1996
(Continued)

OTHER PUBLICATIONS

Belt-Winding Cores—entire industries revolve around them: Metal End Caps, Reinforcement for repeated use, posted unknown, [retrieved Oct. 15, 2019]. Retrieved from Internet, <URL: <http://souheganwood.com/products/belt-winding-cores/>>.*

(Continued)

Primary Examiner — Karen E Kearney

Assistant Examiner — Kristin E Reed

(74) *Attorney, Agent, or Firm* — Maine Cernota & Rardin

(57) **CLAIM**

The ornamental design for a winding core, as shown and described.

DESCRIPTION

FIG. 1 is a 3-dimensional view of a winding core, showing our new design;

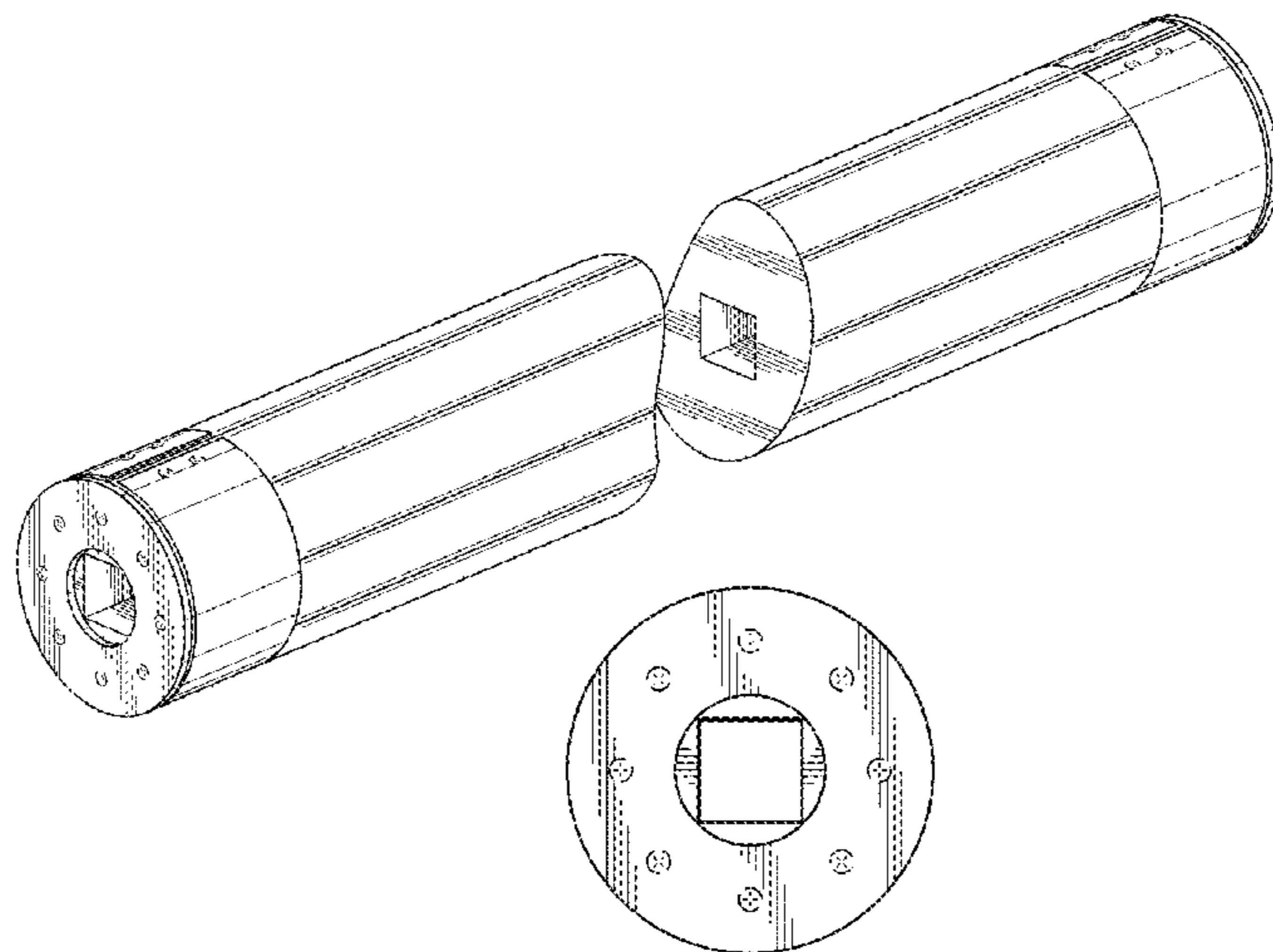
FIG. 2 is a front elevation view (rear is the same) thereof; FIG. 3 is a side elevation view (opposite side is the same) thereof;

FIG. 4 is a top plan view thereof; and,

FIG. 5 is a bottom plan view thereof.

The broken lines shown in the drawings depicts portions of the winding core that form no part of the claimed design.

1 Claim, 3 Drawing Sheets



(58) **Field of Classification Search**

CPC B21C 47/28; H02G 11/02; A01K 89/003;
 H04M 1/15; A01D 34/822; A47L 9/26;
 H04R 1/1033; Y10S 24/909; E05C 19/10;
 E05C 17/50; E05C 3/045; E05C 3/30;
 E05C 19/02; E05C 19/026; A47G
 25/0614; A47G 25/18; A47G 25/32;
 A47G 7/047; A47G 7/045; A47G 7/042;
 A47G 7/044; F16B 12/44; F16B 12/46;
 F16B 5/0614; F16B 12/02; E04B 1/2612;
 E04B 2001/2415; E04B 1/5818; E04B
 1/5831; A47B 88/0055; E04F 11/1812;
 F16L 1/0246; A01G 9/024; A01G 25/14;
 A01G 27/001; A01G 9/042; A01G
 27/005; A01G 31/001; A01G 9/02; A01G
 9/083; A01G 9/12

See application file for complete search history.

(56) **References Cited**

U.S. PATENT DOCUMENTS

1,753,342 A 4/1930 Hubbard
 1,881,911 A 10/1932 Parker
 2,365,980 A 12/1944 Thomas
 2,748,805 A 6/1956 Winstead
 2,977,066 A 3/1961 Kimmel
 3,447,996 A 6/1969 Himmelheber et al.
 3,807,458 A 4/1974 Royston
 4,034,932 A 7/1977 Ferch
 4,157,181 A 6/1979 Cecka
 4,166,432 A * 9/1979 Moore A01K 31/14
 119/430
 4,179,269 A 12/1979 Yates et al.
 D255,664 S * 7/1980 Wahl D10/89
 4,361,530 A 11/1982 Peer
 4,391,898 A 7/1983 Van der Velden
 4,701,373 A 10/1987 Fuchs et al.
 4,810,255 A 3/1989 Fay, III et al.
 4,980,214 A 12/1990 Charriere
 5,147,722 A 9/1992 Koslow
 5,165,543 A 11/1992 Heyda
 D345,930 S * 4/1994 Lewis D10/60
 5,585,155 A 12/1996 Heikkila et al.
 6,007,656 A 12/1999 Heikkila et al.
 6,083,601 A 7/2000 Prince et al.
 6,106,944 A 8/2000 Heikkila et al.
 6,319,457 B1 11/2001 DuCharme, Jr. et al.
 D532,714 S * 11/2006 Scharr D11/79
 7,270,279 B2 9/2007 Monk

7,357,726 B2 4/2008 Thorning
 D581,568 S * 11/2008 Bertken D26/38
 D670,156 S * 11/2012 Crooks D8/358
 D676,170 S * 2/2013 Feng D26/38
 D780,115 S * 2/2017 Huang D13/107
 9,777,891 B2 * 10/2017 Kawabata F21K 9/00
 D813,155 S * 3/2018 Yamada D13/103
 D833,492 S * 11/2018 Stevens D15/145
 2002/0066824 A1 6/2002 Floyd
 2002/0094431 A1 7/2002 Roderick et al.
 2002/0106178 A1 8/2002 Bumgerner
 2004/0126515 A1 7/2004 Yarmoska
 2005/0015986 A1 1/2005 Stebnicki et al.
 2005/0049329 A1 3/2005 Faulkner
 2005/0133951 A1 6/2005 Muller et al.
 2006/0262518 A1 * 11/2006 Thuma B25F 1/04
 362/119
 2008/0156234 A1 7/2008 van de Camp
 2009/0110842 A1 4/2009 Vinden et al.
 2009/0145994 A1 6/2009 Dunn
 2009/0264560 A1 10/2009 Warnes
 2010/0236172 A1 9/2010 Wirth
 2011/0177265 A1 7/2011 Dunn

FOREIGN PATENT DOCUMENTS

EP 1250995 A1 10/2002
 GB 723426 A 2/1955
 GB 901519 A 7/1962
 GB 1471181 4/1977
 JP 08-090691 4/1996
 JP 11-309704 11/1999
 JP 2000-034802 2/2000
 JP 2002-115701 4/2002

OTHER PUBLICATIONS

Bushblock Fuel Logs Help the Cheetah's Cause, CCF Bush Party, Ltd., retrieved online <www.cheetah.org/?nd=ccf_bush_Project>, retrieved on Oct. 1, 2010, 5 pages.
 FM200 Floor Back and Side Wrap, retrieved online <www.cheaponsale.com/d-p11216434113935>, retrieved on Oct. 1, 2010, 3 pages.
 Office Action for U.S. Appl. No. 12/328,800, dated Dec. 28, 2009, 8 pgs.
 Office Action for U.S. Appl. No. 12/328,800, dated Jul. 21, 2010, 6 pgs.
 PCT Search Report dated Sep. 29, 2011 of Patent Application No. PCT/US2011/021675 filed Jan. 19, 2011.
 Penta Profiles Furniture Components, retrieved online <www.pentaprofiles.com/about-us.htm>, retrieved on Oct. 1, 2010, 1 page.

* cited by examiner

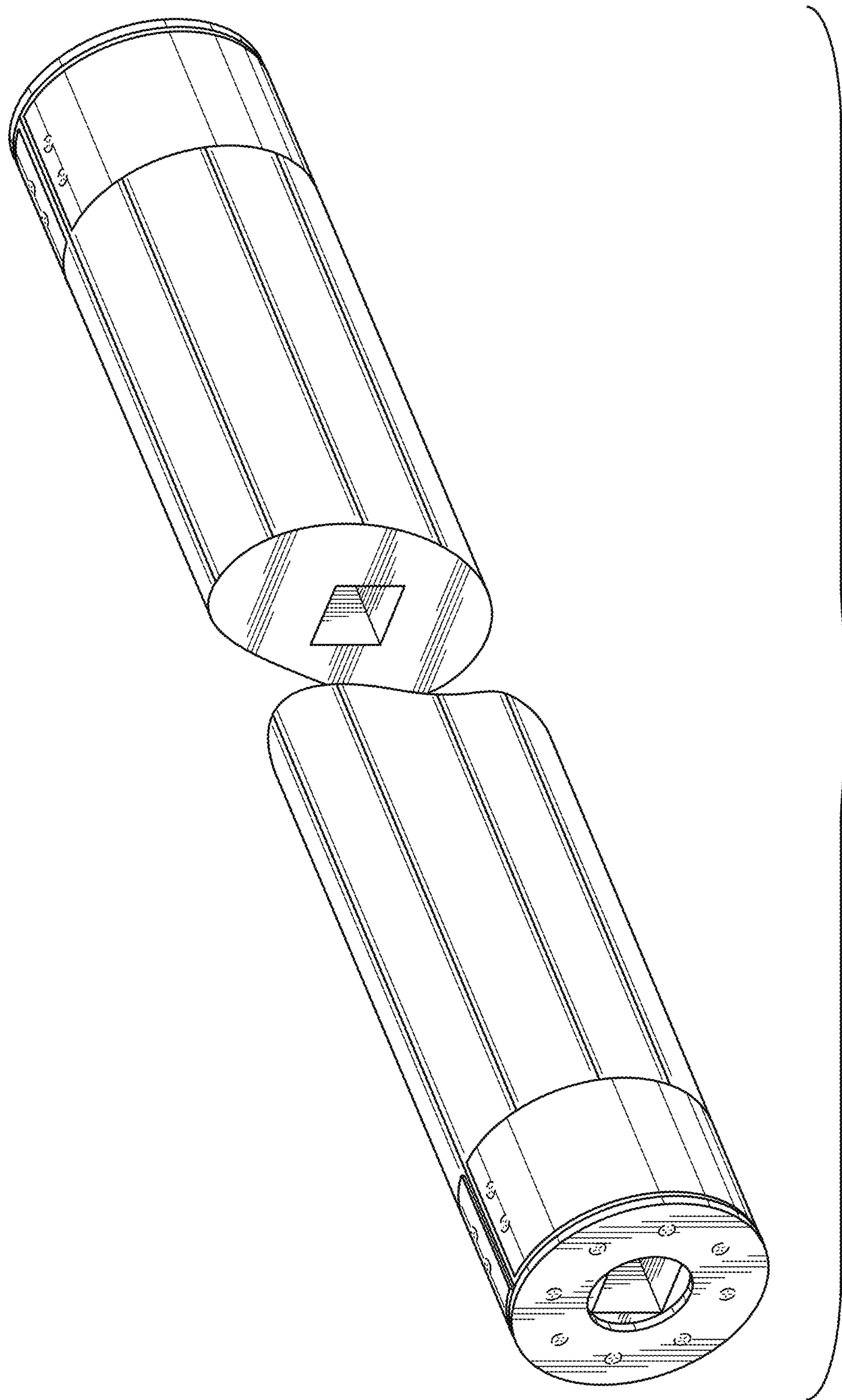


FIG. 1

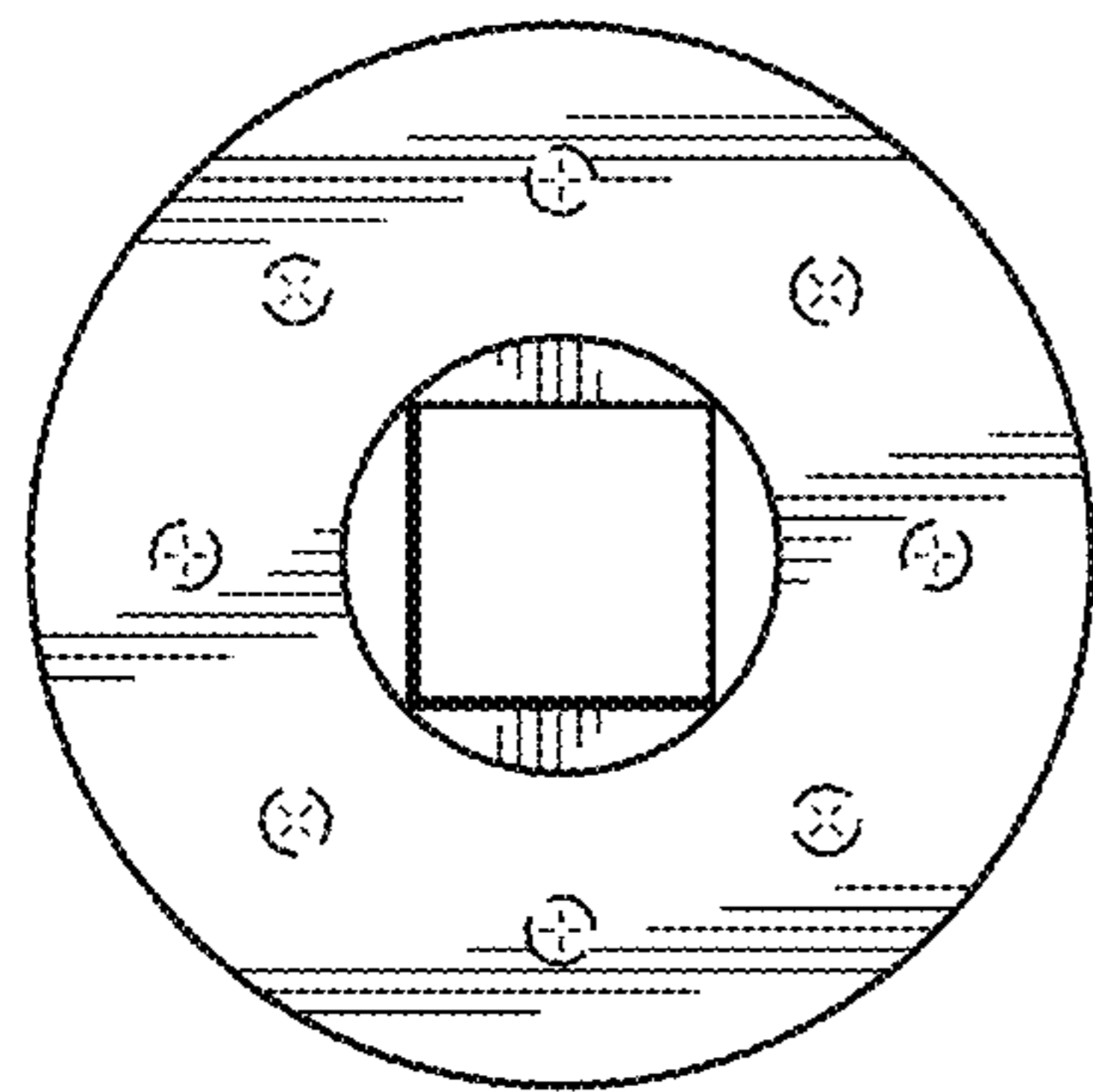


FIG. 2

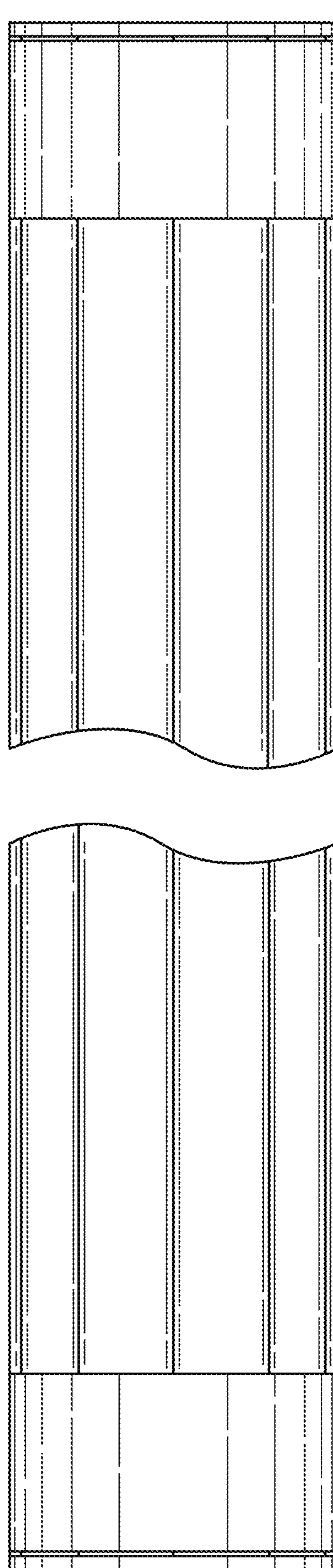


FIG. 3

FIG. 4

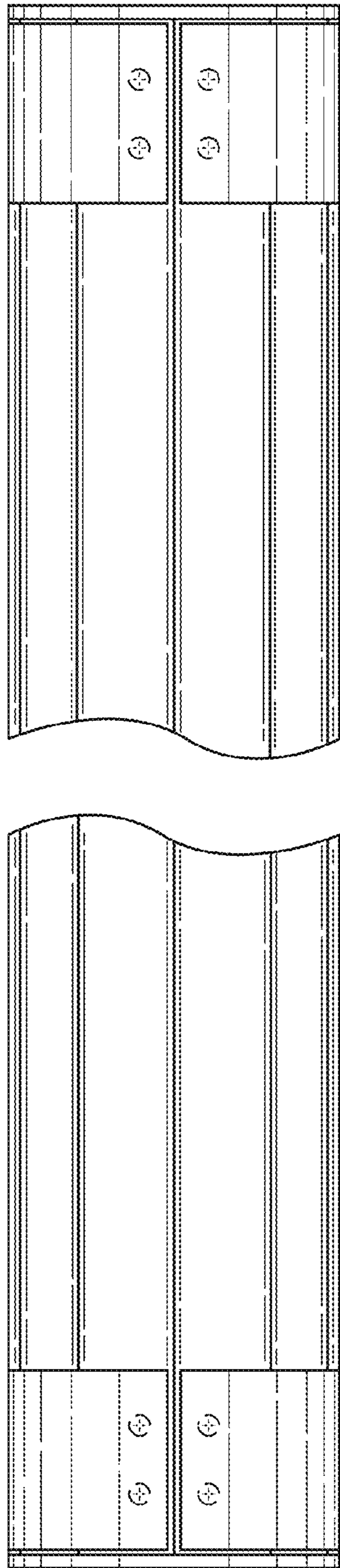


FIG. 5

