



US00D876207S

(12) **United States Design Patent**  
**Elliott et al.**

(10) **Patent No.:** **US D876,207 S**

(45) **Date of Patent:** **\*\* Feb. 25, 2020**

- (54) **CABLE RETAINER DEVICE**
- (71) Applicant: **Wanho T Manufacturing Co., Ltd.**,  
Ilan (TW)
- (72) Inventors: **David Robert Elliott**, Southington, CT  
(US); **Christopher Pierre Crounse**,  
Florence, AZ (US); **Arthur C Gagnon**,  
Wolcott, CT (US)
- (73) Assignee: **Wanho T Manufacturing Co., Ltd.**,  
Ilan (TW)

- 6,408,495 B2 \* 6/2002 Ida ..... A44B 13/0035  
2/219
- D473,448 S \* 4/2003 Wu et al. .... D8/356
- D479,378 S \* 9/2003 Simpson ..... D34/35
- 6,718,599 B2 \* 4/2004 Dickinson et al. .... 24/295
- D494,452 S \* 8/2004 Sheldon et al. .... D8/367
- 6,796,006 B2 \* 9/2004 Hansen ..... F16B 5/065  
24/289
- 7,120,971 B2 \* 10/2006 Osterland et al. .... 24/295
- D538,137 S \* 3/2007 Dukes ..... D8/356
- D556,021 S \* 11/2007 Sexton ..... D8/356
- D570,203 S \* 6/2008 Shiimoto ..... D8/395
- 7,380,692 B2 \* 6/2008 Kostal ..... A45F 5/02  
224/269
- D572,129 S \* 7/2008 Keays ..... D8/395

(\*\*) Term: **15 Years**

(21) Appl. No.: **29/676,669**

(22) Filed: **Jan. 14, 2019**

(51) **LOC (12) Cl.** ..... **09-06**

(52) **U.S. Cl.**  
USPC ..... **D8/356**

(58) **Field of Classification Search**  
USPC ..... D13/153, 154; D11/458, 297, 303, 295,  
D11/200; 296/146.7; D8/356, 354, 349  
CPC ..... B60D 1/18; B65H 57/16  
See application file for complete search history.

(56) **References Cited**

**U.S. PATENT DOCUMENTS**

- 2,069,691 A \* 2/1937 Wilson et al. .... 24/27
- D143,238 S \* 12/1945 Pfefferkorn ..... D8/321
- D194,869 S \* 3/1963 Stall ..... D8/373
- 3,345,706 A \* 10/1967 Stokes ..... F16L 3/127  
403/397
- 4,153,314 A \* 5/1979 Prater ..... A45C 13/26  
16/110.1
- D329,194 S \* 9/1992 Gillooly ..... D8/356
- 5,207,403 A \* 5/1993 Penniman ..... 248/215
- D421,709 S \* 3/2000 Haslem et al. .... D8/354
- 6,074,150 A \* 6/2000 Shinozaki et al. .... 411/508
- 6,317,937 B1 \* 11/2001 Ishihara et al. .... 24/297

*Primary Examiner* — Cynthia R Underwood

(74) *Attorney, Agent, or Firm* — Charles E. Baxley

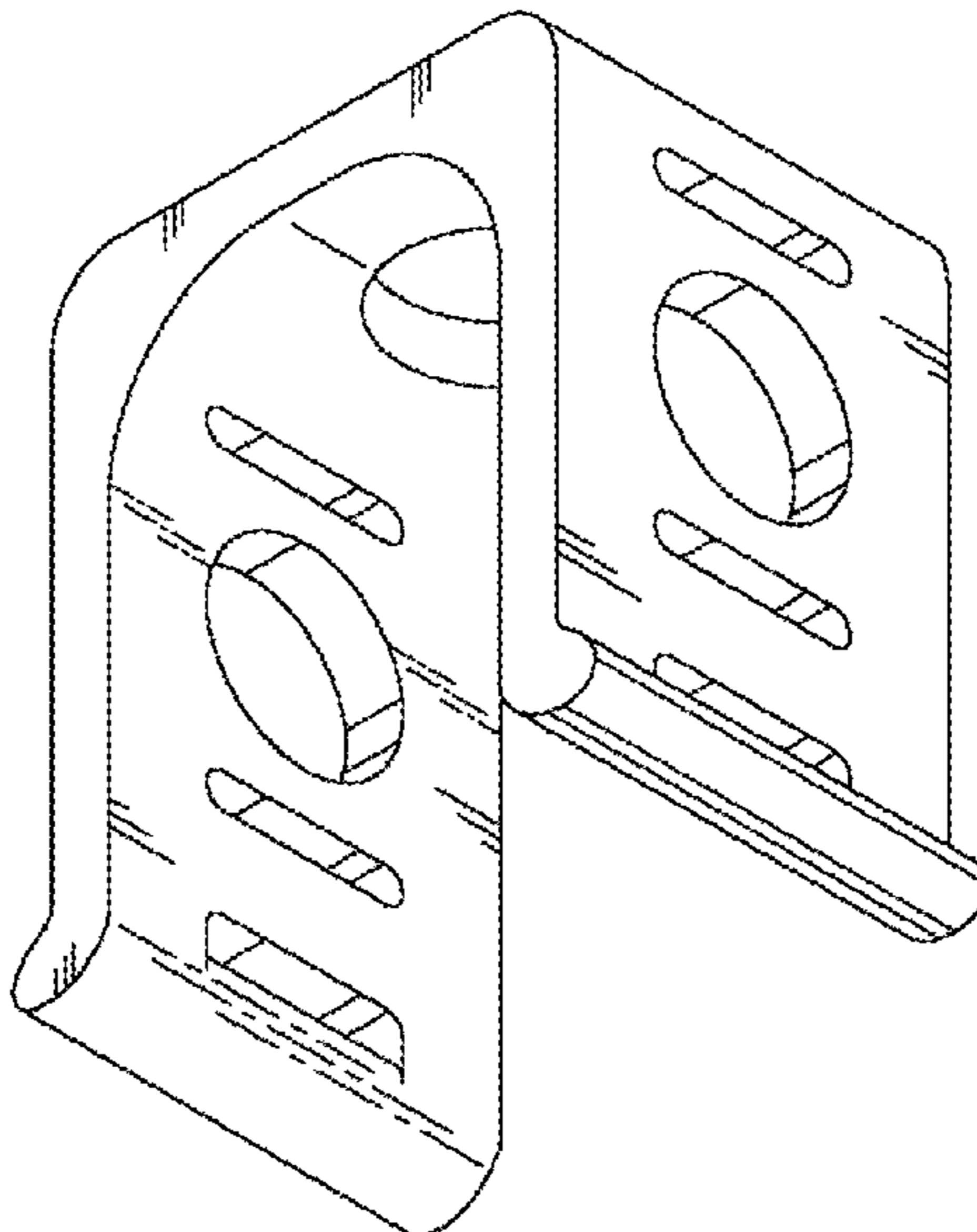
(57) **CLAIM**

The ornamental design for a cable retainer device, as shown and described.

**DESCRIPTION**

FIG. 1 is a front and upper perspective view of a cable retainer device showing my new design;  
 FIG. 2 is a front elevational view thereof;  
 FIG. 3 is a rear elevational view thereof;  
 FIG. 4 is a top plan view thereof;  
 FIG. 5 is a bottom plan view thereof;  
 FIG. 6 is a left side elevational view thereof;  
 FIG. 7 is a right side elevational view thereof;  
 FIG. 8 is a front and bottom perspective view thereof;  
 FIG. 9 is a front and upper perspective view of a second embodiment of the cable retainer device;  
 FIG. 10 is a front and bottom perspective view thereof; and,  
 FIG. 11 is a bottom plan view thereof.  
 The broken lines depict environment and form no part of the claim.

**1 Claim, 7 Drawing Sheets**



(56)

References Cited

U.S. PATENT DOCUMENTS

7,475,934 B2 *	1/2009	Sato et al.	296/146.7	2003/0079316 A1 *	5/2003	Ogawa	F16B 5/06 24/297
7,496,994 B1 *	3/2009	Headley	24/303	2003/0200634 A1 *	10/2003	Hansen	F16B 5/065 24/297
D647,389 S *	10/2011	Gracia	D8/367	2004/0083582 A1 *	5/2004	Dickinson et al.	24/295
D658,974 S *	5/2012	Komeno	D8/356	2004/0096272 A1 *	5/2004	Dickinson et al.	403/397
8,316,513 B2 *	11/2012	DeJong	F16B 5/065 24/293	2005/0076602 A1 *	4/2005	Routhier	52/698
8,359,715 B2 *	1/2013	Turner	B60R 13/0206 24/289	2005/0105987 A1 *	5/2005	Giugliano et al.	411/508
8,424,173 B2 *	4/2013	Shiba	F16B 5/065 24/297	2005/0155191 A1 *	7/2005	Asano	B60R 13/0206 24/297
8,474,110 B1 *	7/2013	Sherriff	B60N 3/026 24/297	2005/0217082 A1 *	10/2005	Vassiliou	24/294
D693,733 S *	11/2013	Fujii	D11/200	2006/0048431 A1 *	3/2006	Weir	F41C 23/02 42/85
8,683,662 B2 *	4/2014	Cooley	F16B 5/065 24/297	2006/0085955 A1 *	4/2006	Asano	B60R 13/0206 24/297
8,944,733 B2 *	2/2015	Podsadny	B60R 13/0206 24/295	2007/0186389 A1 *	8/2007	Smith	B60R 13/0206 24/297
D788,254 S *	5/2017	Baehler	D11/200	2007/0216139 A1 *	9/2007	Mazanek	B60R 21/04 280/728.2
D826,771 S *	8/2018	Ellingson	D11/200	2012/0305616 A1 *	12/2012	Smith	A45F 3/04 224/614
2002/0194710 A1 *	12/2002	Dickinson et al.	24/295	2015/0135409 A1 *	5/2015	Mongan	A41F 9/00 2/312

\* cited by examiner

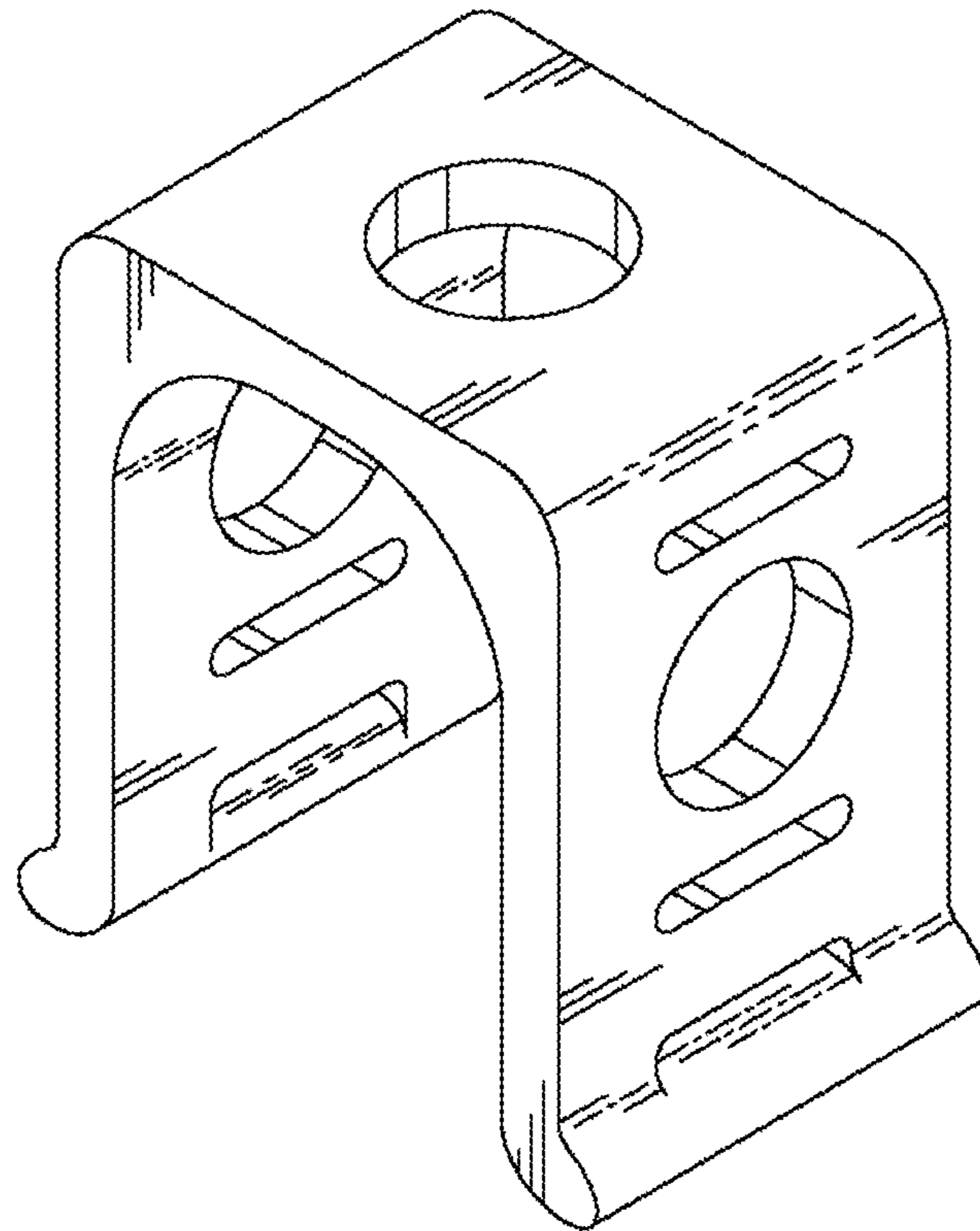


FIG. 1

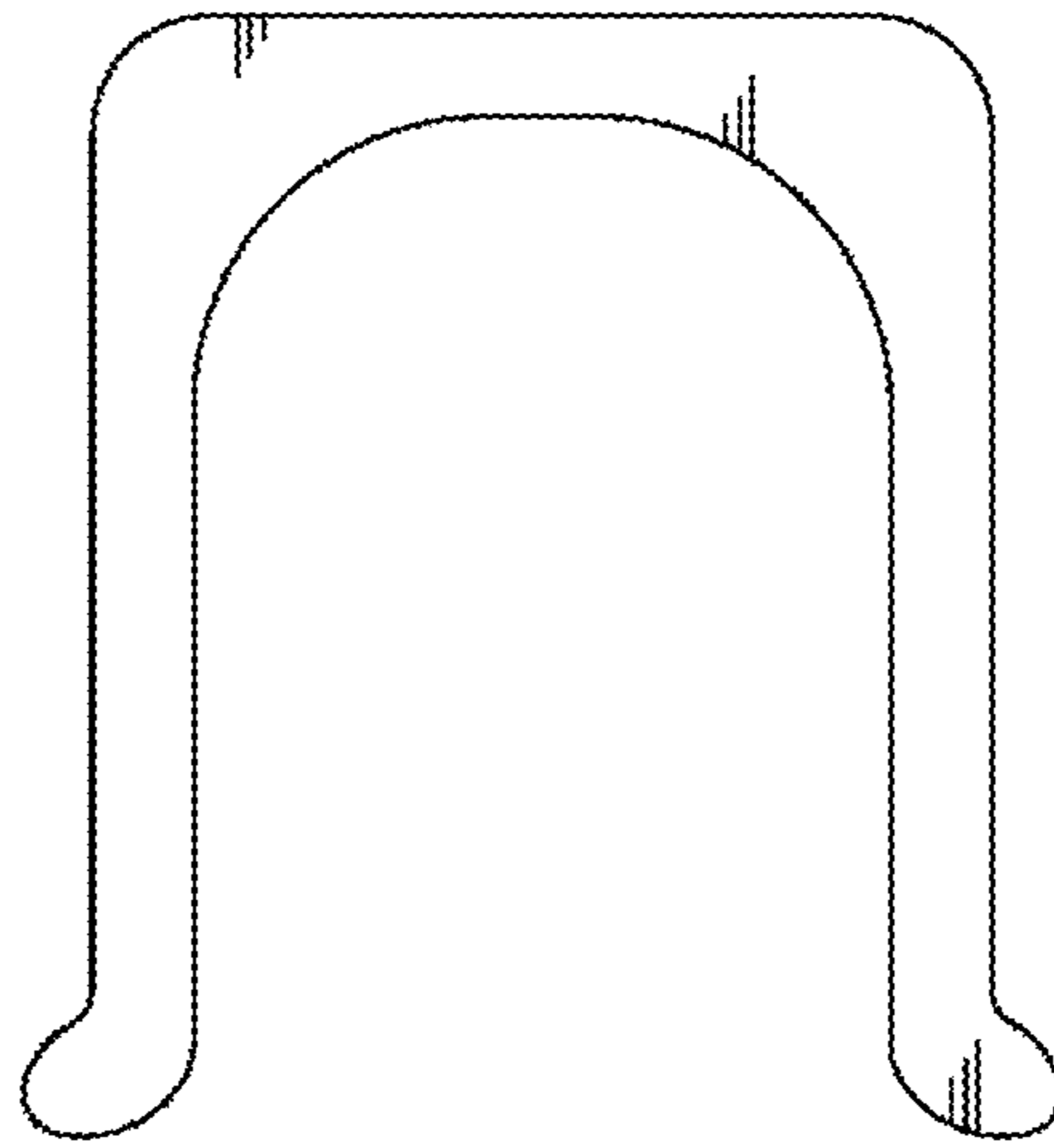


FIG. 2

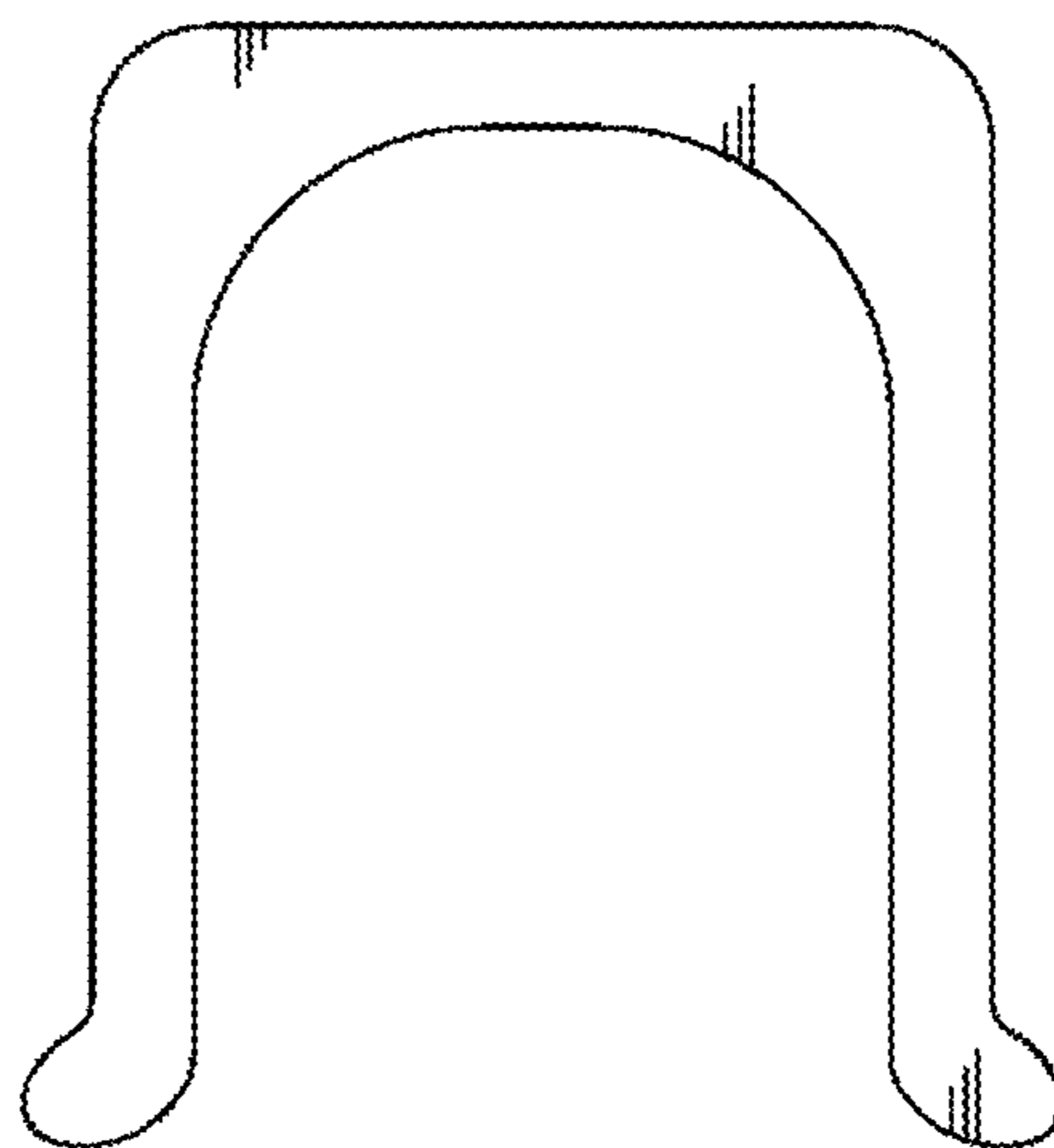


FIG. 3

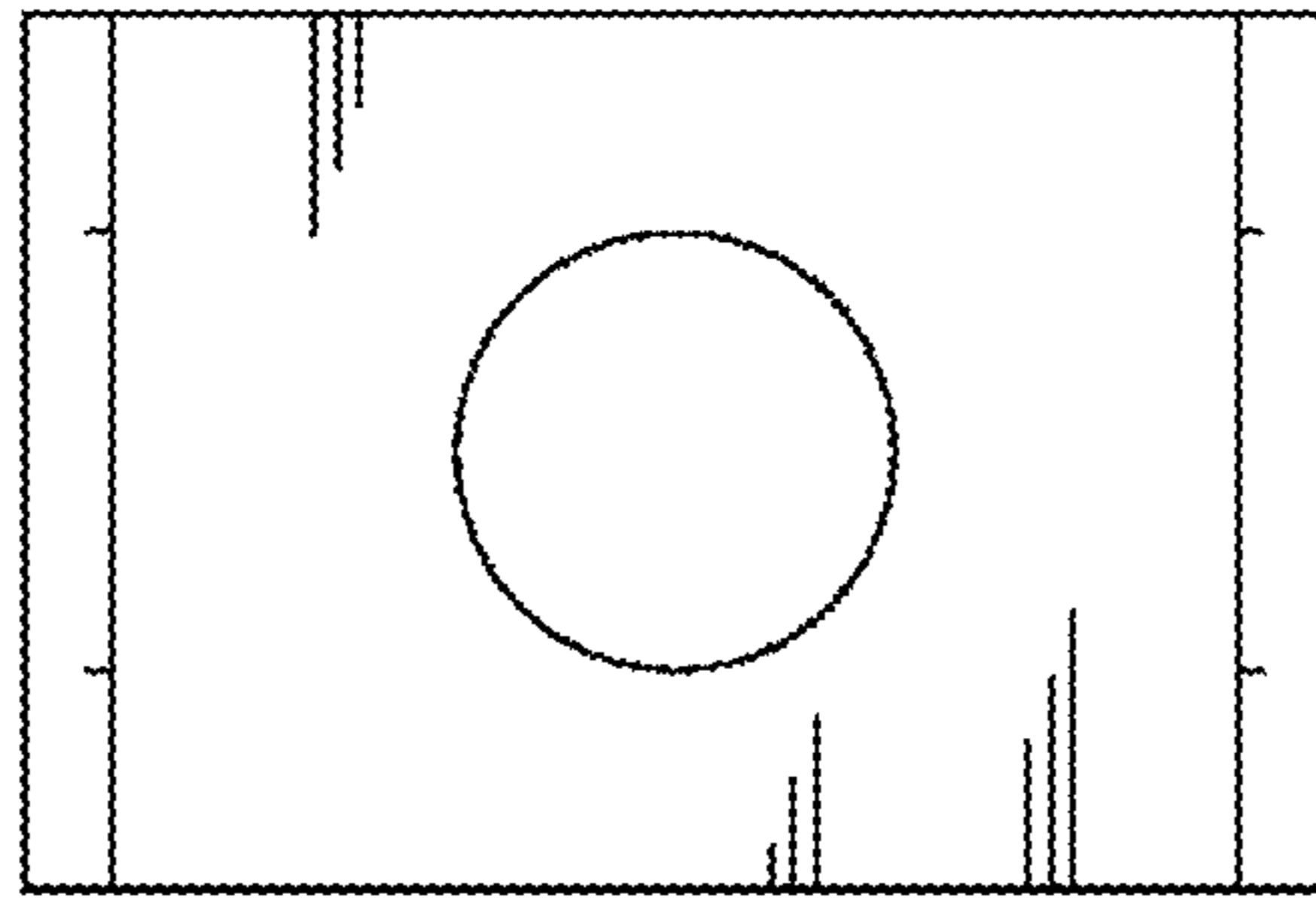


FIG. 4

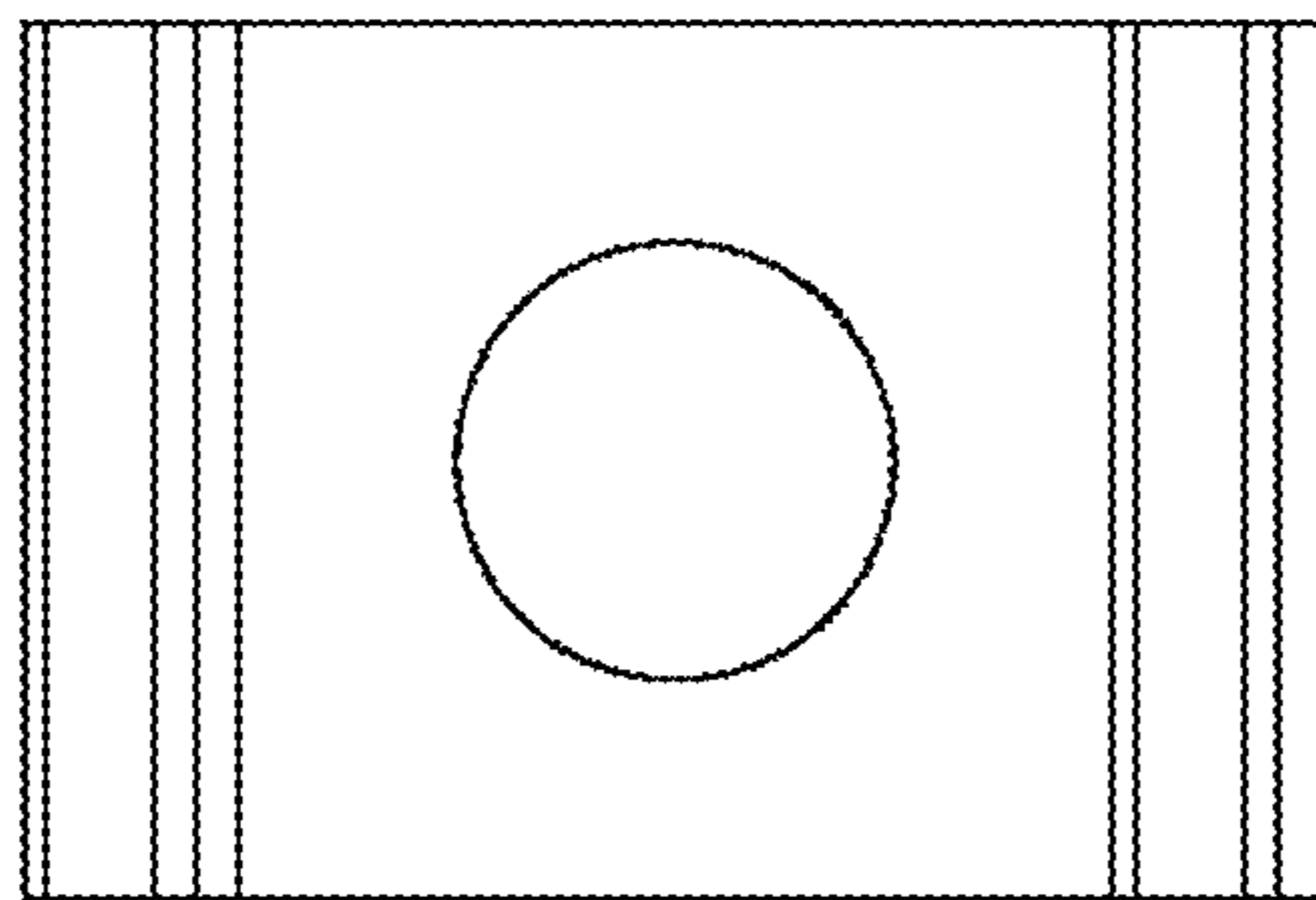


FIG. 5

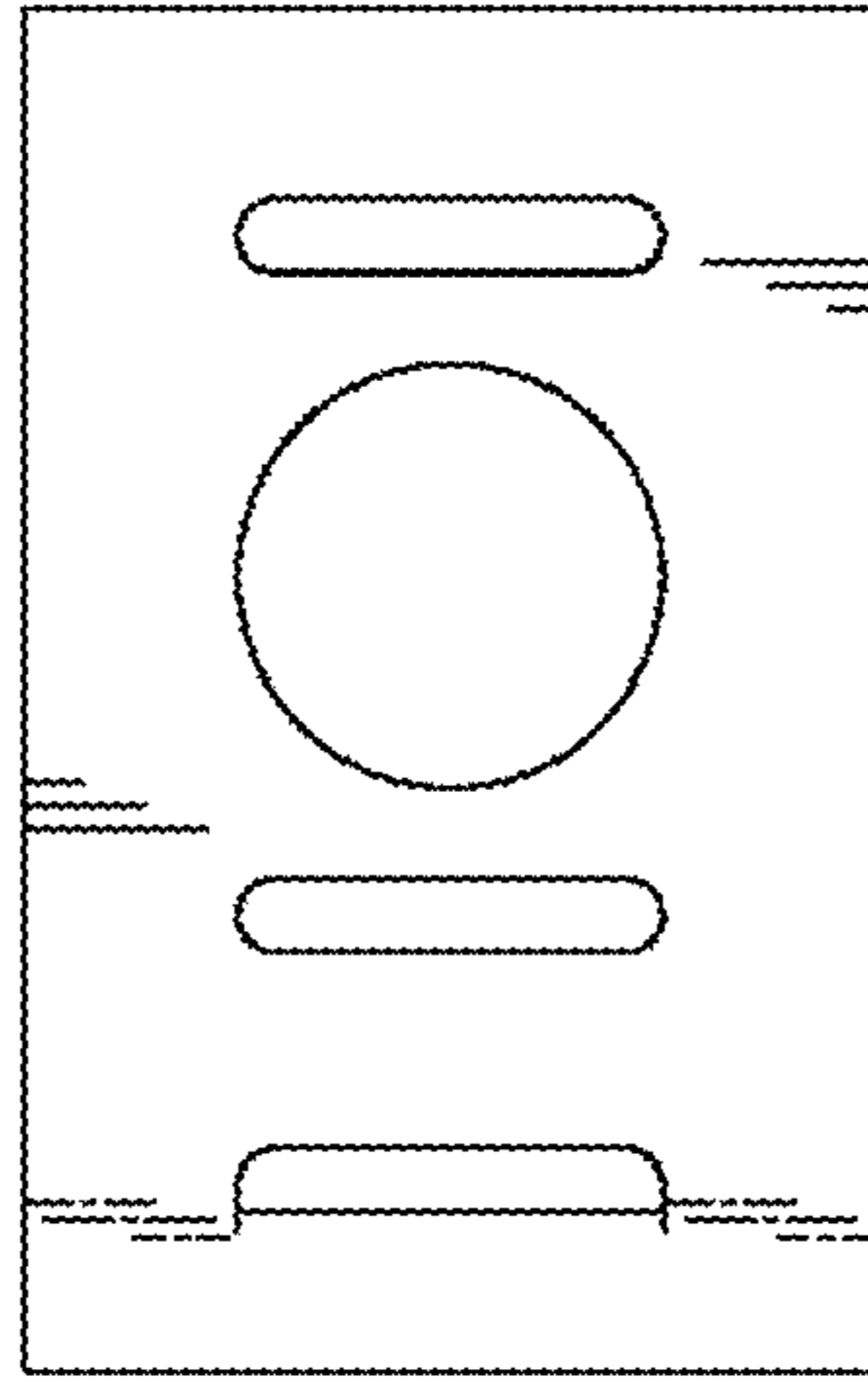


FIG. 6

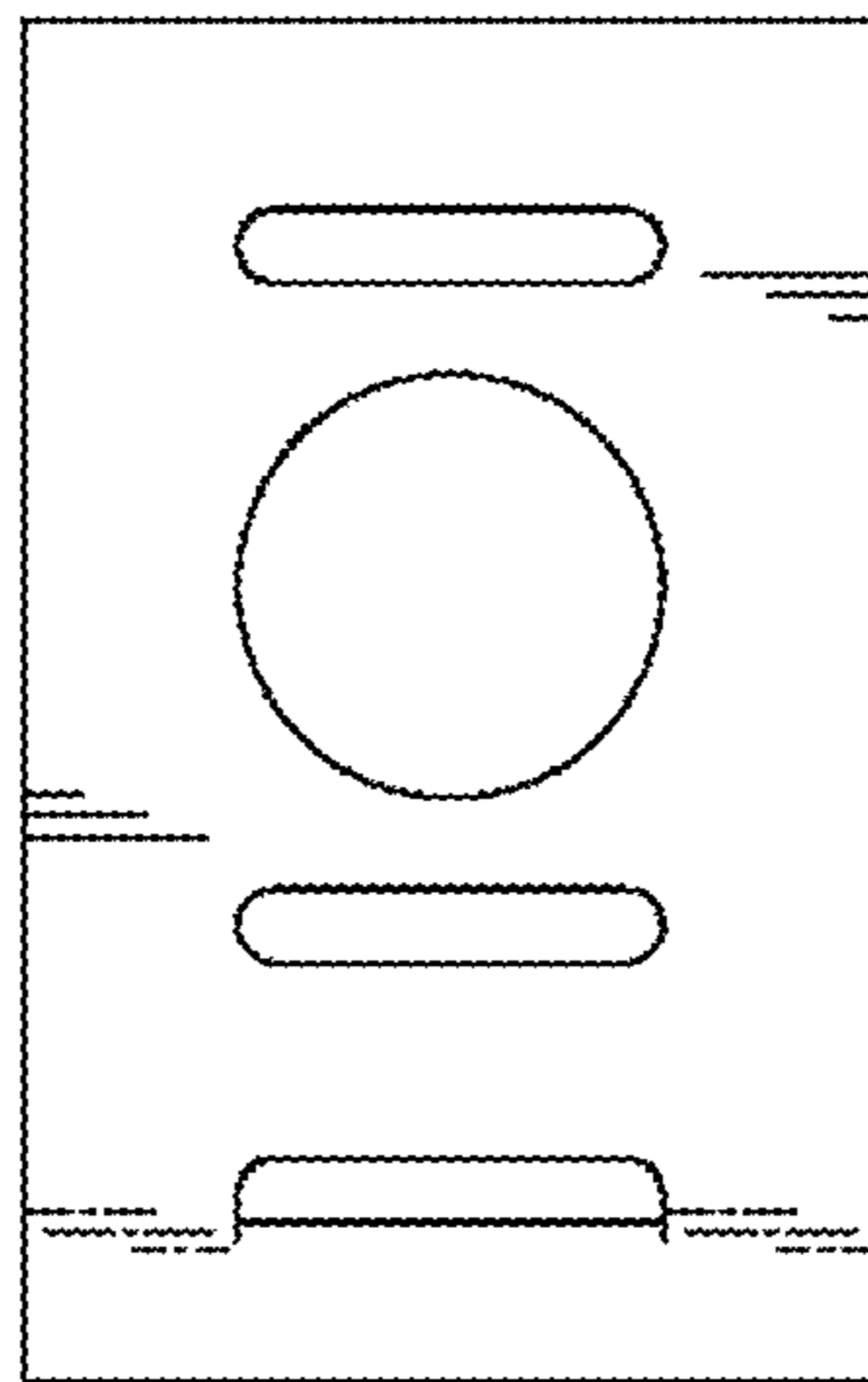


FIG. 7

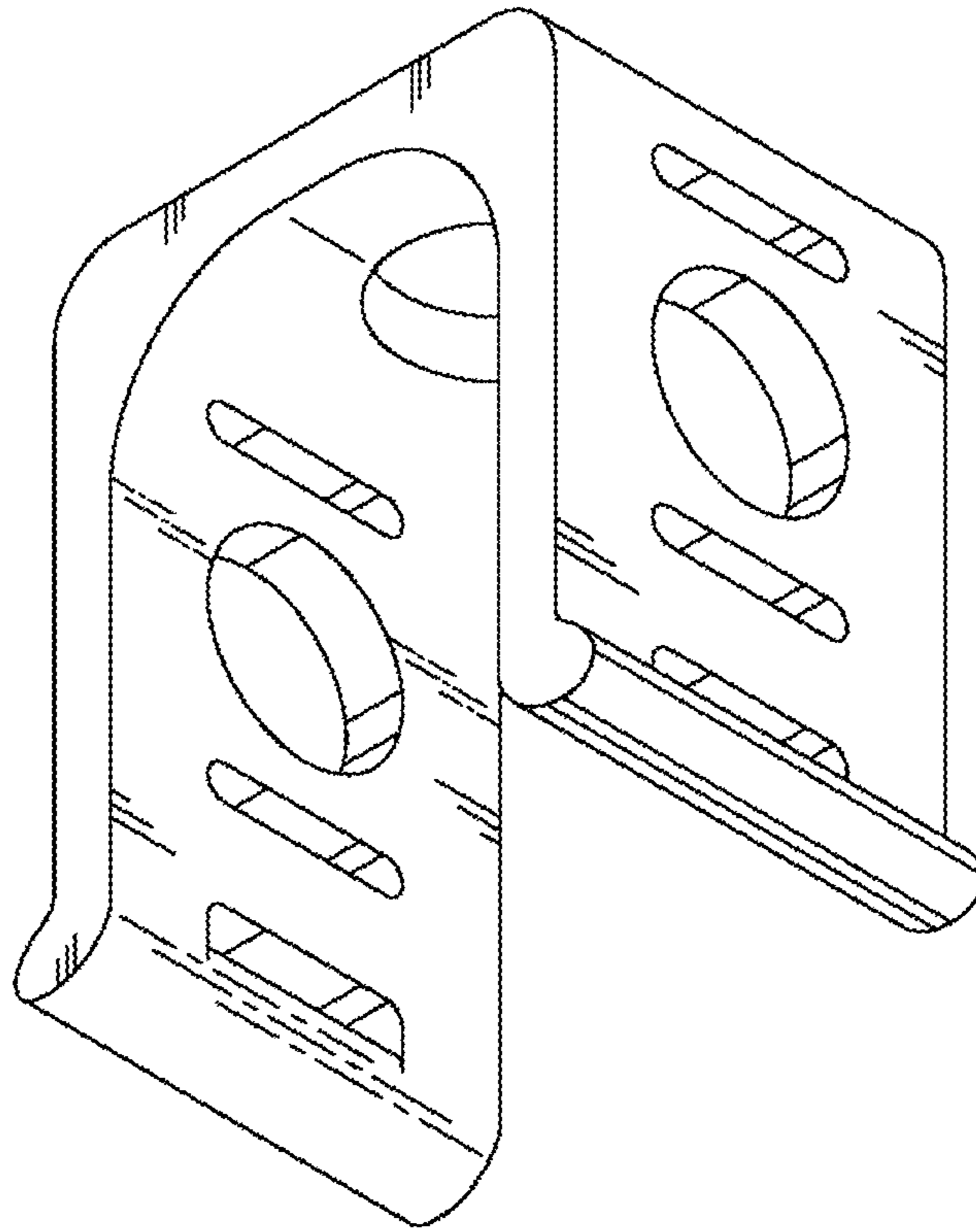


FIG. 8

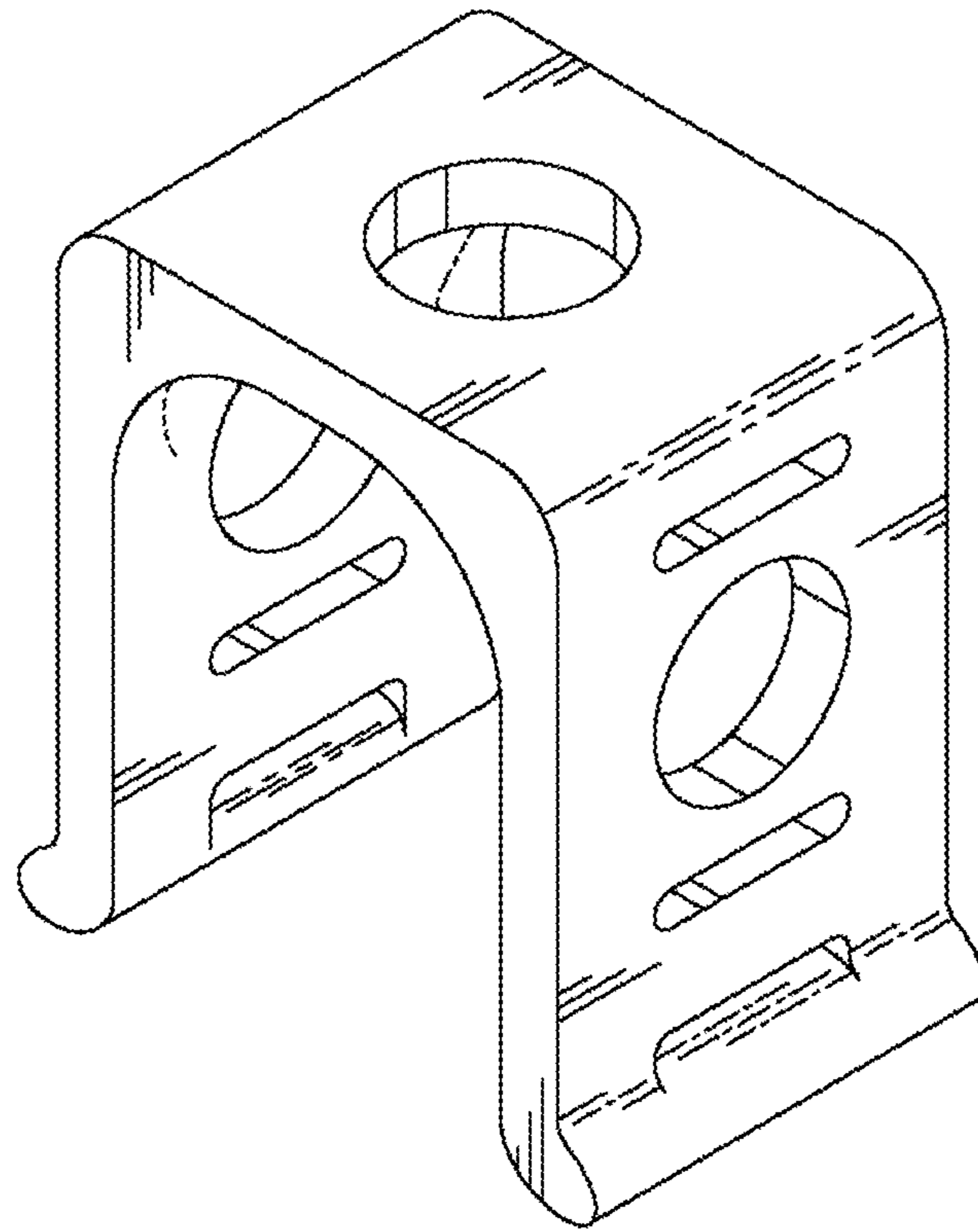


FIG. 9



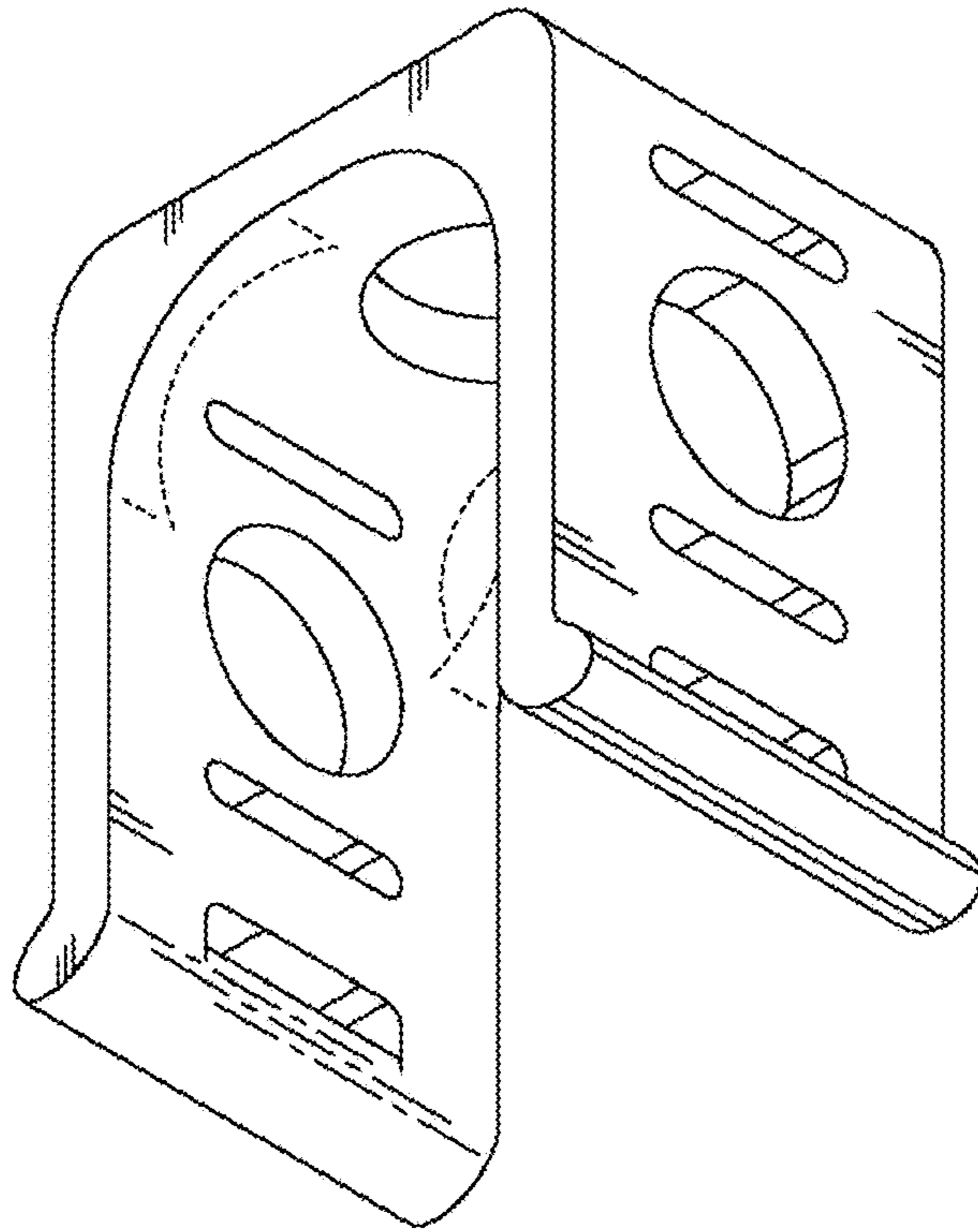


FIG. 10

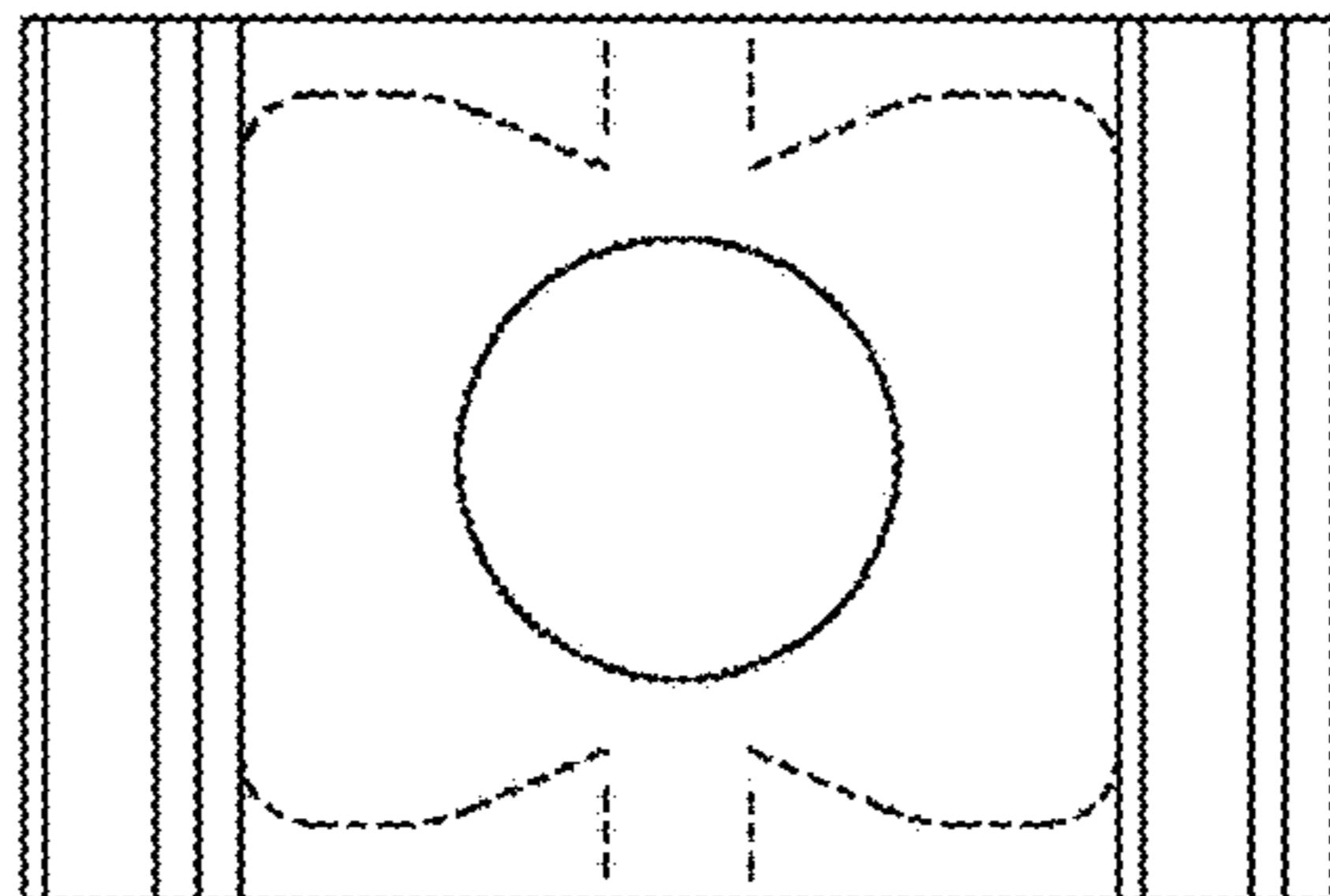


FIG. 11