



US00D876206S

(12) **United States Design Patent**
Pinholster et al.

(10) **Patent No.:** **US D876,206 S**

(45) **Date of Patent:** **** Feb. 25, 2020**

(54) **HAMMOCK STRAP WITH 3-STITCH LINE PATTERN**

(71) Applicant: **Eagles Nest Outfitters, Inc.**, Asheville, NC (US)

(72) Inventors: **Peter G. Pinholster**, Asheville, NC (US); **Ryan M. Klinger**, Asheville, NC (US); **Bridget K. Stephas**, Asheville, NC (US)

(73) Assignee: **Eagles Nest Outfitters, Inc.**, Asheville, NC (US)

(**) Term: **15 Years**

(21) Appl. No.: **29/669,509**

(22) Filed: **Nov. 8, 2018**

(51) **LOC (12) Cl.** **09-06**

(52) **U.S. Cl.**
USPC **D8/356**

(58) **Field of Classification Search**
USPC D8/356, 354, 349; 361/826; 24/16 PB; D6/718.11, 387; 24/115 R, 115 H; 5/120, 127, 129
CPC A63B 29/00; A63B 27/00; B63B 59/02; B63B 21/045; H05K 5/0247
See application file for complete search history.

(56) **References Cited**

U.S. PATENT DOCUMENTS

- 2,985,480 A * 5/1961 Otley B66C 1/18 294/74
- 3,999,752 A * 12/1976 Kupperman A63B 21/154 482/131
- 4,025,100 A * 5/1977 Bridgehouse B66C 1/18 294/74
- 5,688,011 A * 11/1997 Gulley B66C 1/105 294/74
- D454,235 S * 3/2002 Kaplan D30/153

- 6,357,551 B1 * 3/2002 Bogardus, III E06C 1/56 182/190
- D573,381 S * 7/2008 Pinholster, Jr. D6/387
- D654,231 S * 2/2012 Clayton D30/153
- D661,175 S * 6/2012 Dahl D8/349

(Continued)

Primary Examiner — Cynthia R Underwood

(74) *Attorney, Agent, or Firm* — Schwartz Law Firm, P.C.

(57) **CLAIM**

We claim the ornamental design for a hammock strap with 3-stitch line pattern, as shown and described.

DESCRIPTION

FIG. 1 is a front perspective view of the hammock strap with 3-stitch line pattern;

FIG. 2 is a front perspective view of a portion the hammock strap with 3-stitch line pattern appearing within the dashed circle labeled "FIG. 2" in FIG. 1 and showing the designated strap portion at an enlarged scale;

FIG. 3 is a front perspective view of a portion the hammock strap with 3-stitch line pattern appearing within the dashed circle labeled "FIG. 3" in FIG. 1 and showing the designated strap portion at an enlarged scale;

FIG. 4 is a front perspective view of a portion the hammock strap with 3-stitch line pattern appearing within the dashed circle labeled "FIG. 4" in FIG. 1 and showing the designated strap portion at an enlarged scale;

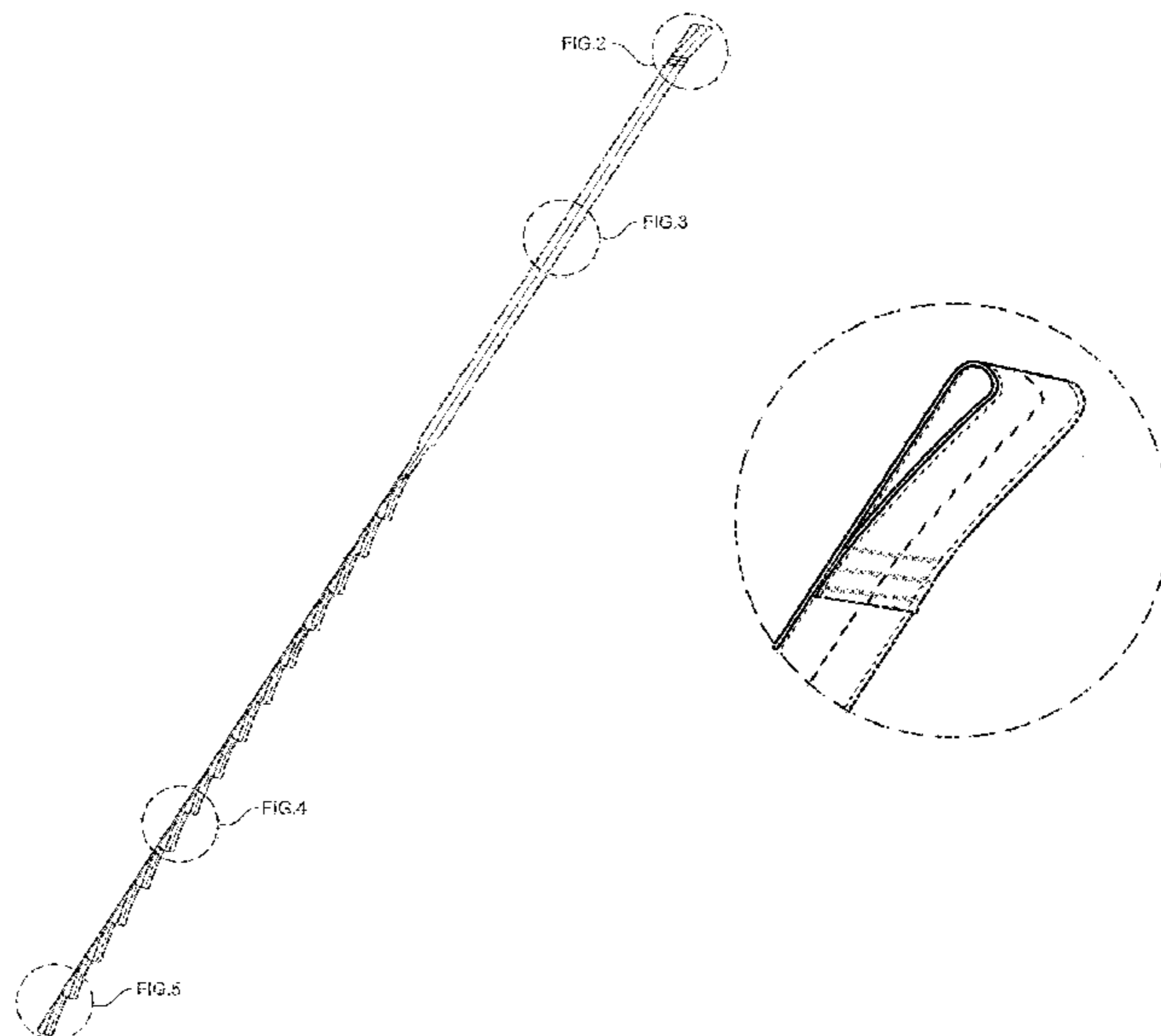
FIG. 5 is a front perspective view of a portion the hammock strap with 3-stitch line pattern appearing within the dashed circle labeled "FIG. 5" in FIG. 1 and showing the designated strap portion at an enlarged scale;

FIG. 6 is a front plan view of the hammock strap with 3-stitch line pattern; and,

FIG. 7 is a back plan view of the hammock strap with 3-stitch line pattern.

The broken lines represent markers indicating the area from which enlarged areas were taken and form no part of the claim.

1 Claim, 5 Drawing Sheets



(56)

References Cited

U.S. PATENT DOCUMENTS

D666,896	S	9/2012	Pinholster	
D695,470	S *	12/2013	Reed	D30/153
D712,555	S *	9/2014	Berg	D24/190
9,003,579	B1 *	4/2015	Pinholster, Jr.	A45F 3/22
				5/120
9,022,908	B2 *	5/2015	Crowell	A63B 21/0555
				482/121
D733,525	S *	7/2015	Petzl	D8/349
D741,145	S *	10/2015	Petzl	D8/349
D747,176	S *	1/2016	Petzl	D8/349
D753,470	S *	4/2016	Paladino	D8/367
D760,503	S *	7/2016	Arguelles	D6/315
9,630,043	B2 *	4/2017	Foster	A63B 21/0023
9,907,389	B2 *	3/2018	Conlin	A45F 3/24
10,034,534	B1	7/2018	Pinholster	
D831,764	S *	10/2018	Hetrick	D21/694
10,143,612	B2 *	12/2018	Foster	A61H 1/0274
10,292,485	B2 *	5/2019	Conlin	A45F 3/24
D850,546	S *	6/2019	Reese	D21/694
2011/0094011	A1 *	4/2011	Klekamp	A63B 21/4021
				2/170
2013/0061429	A1 *	3/2013	Hede	A63B 29/02
				24/302

* cited by examiner

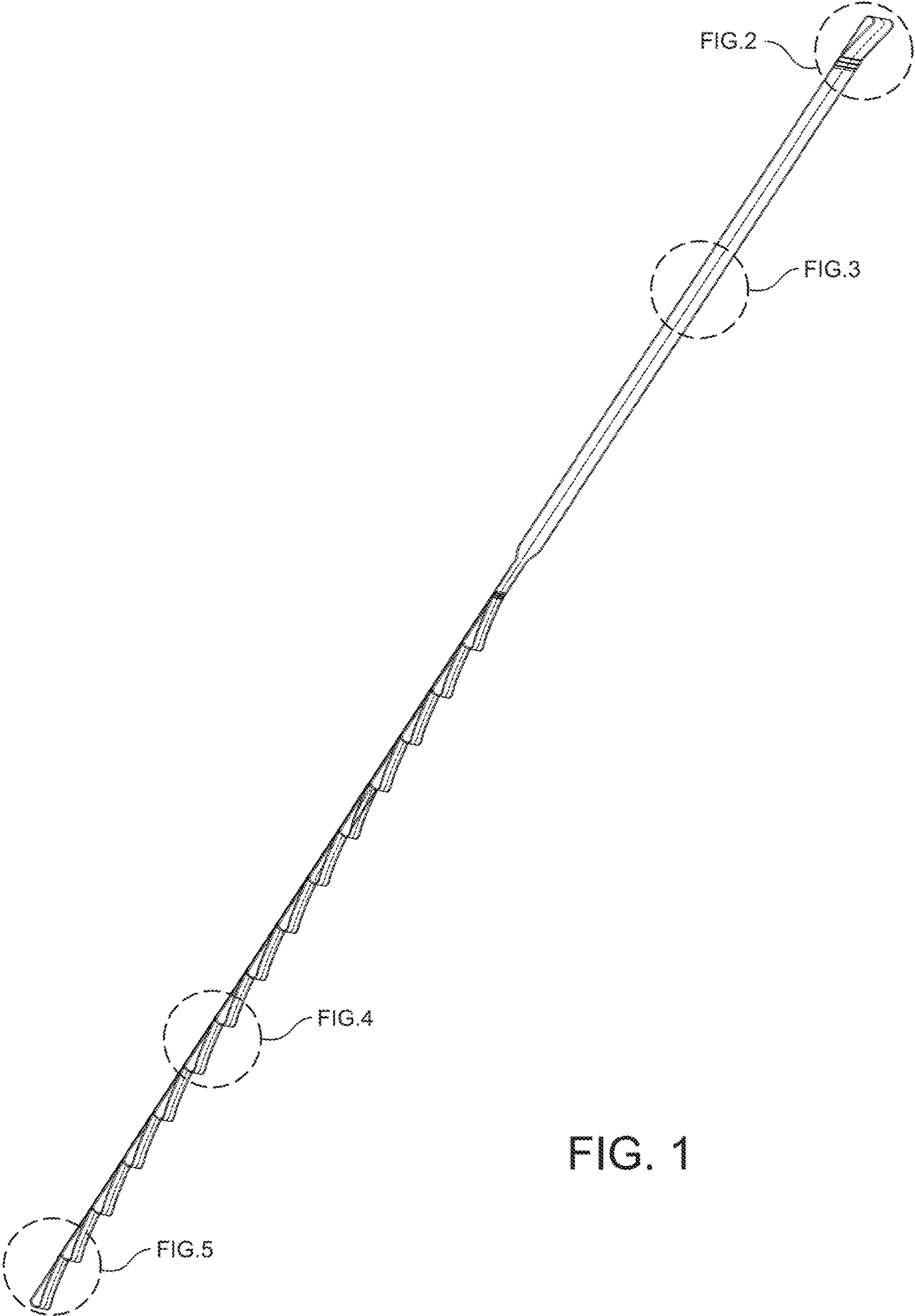


FIG. 1

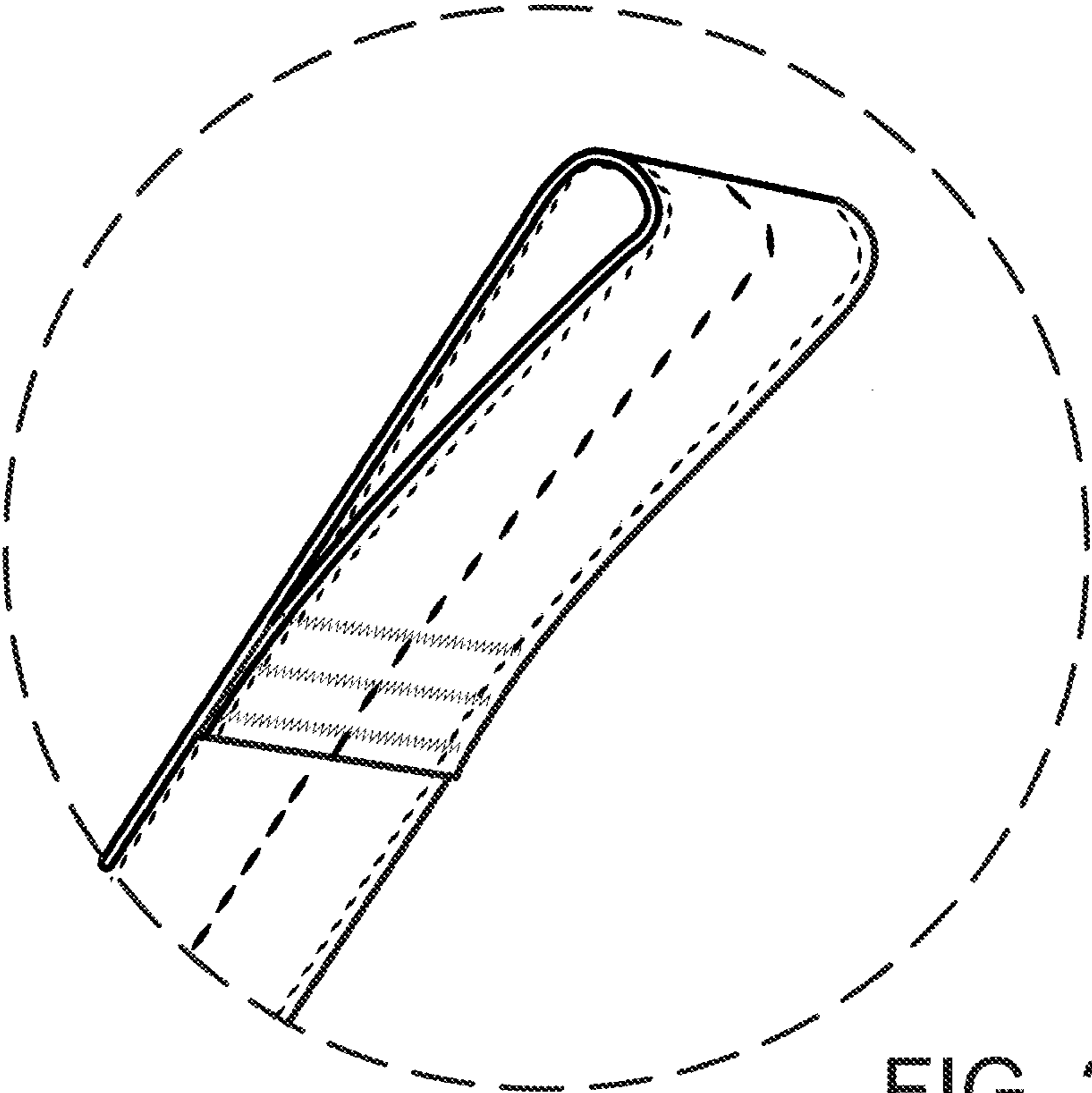


FIG. 2

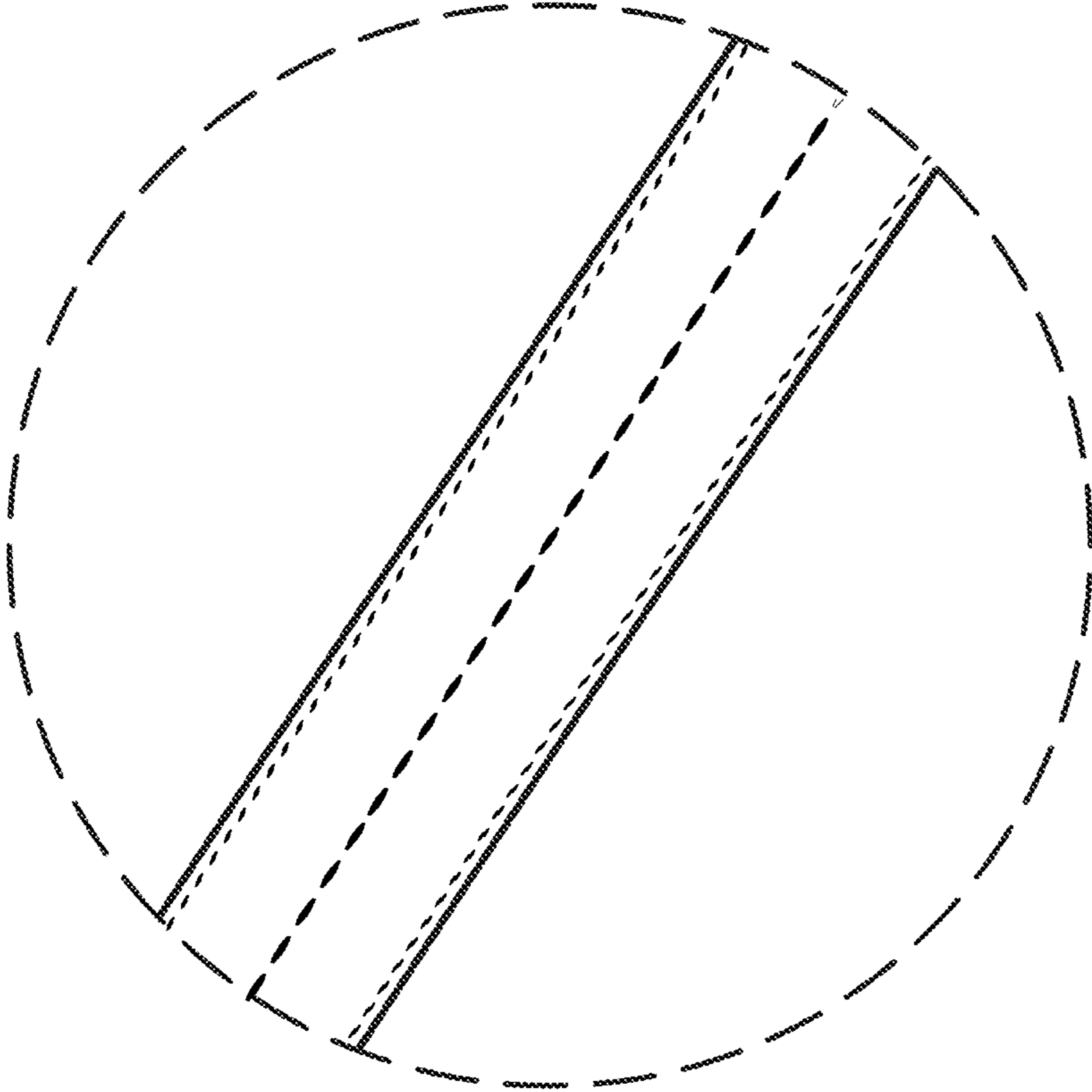


FIG. 3

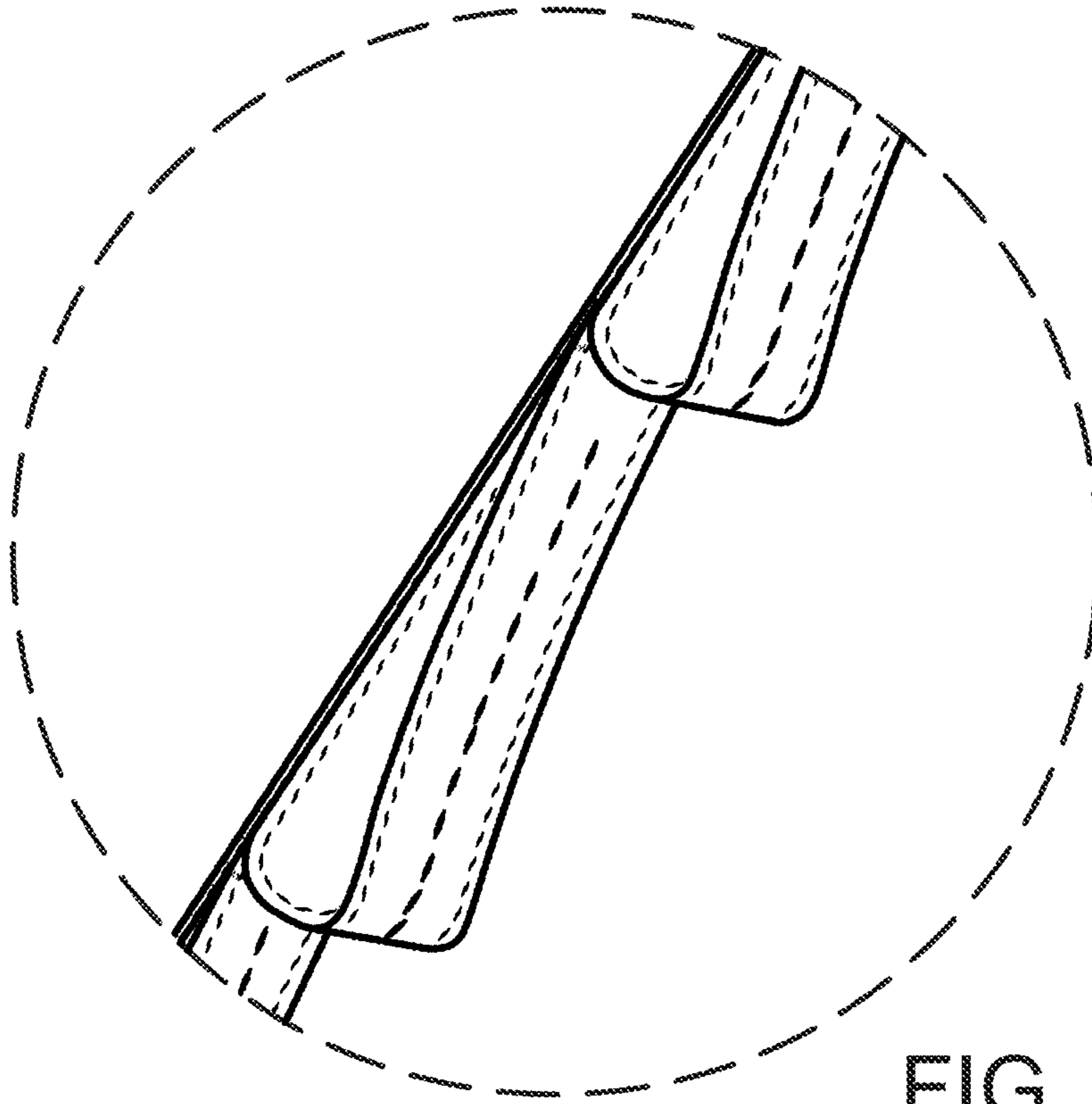


FIG. 4

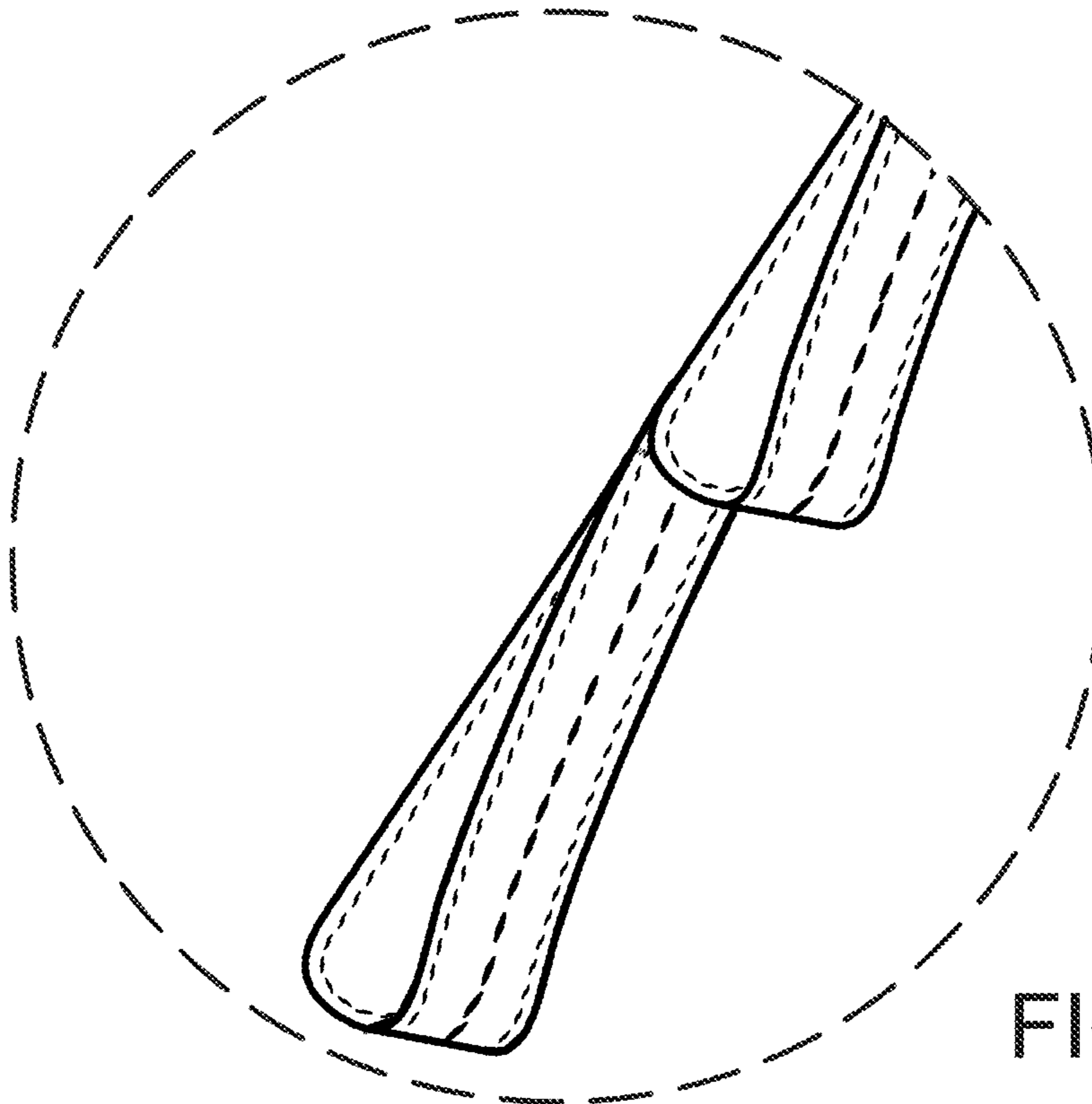


FIG. 5

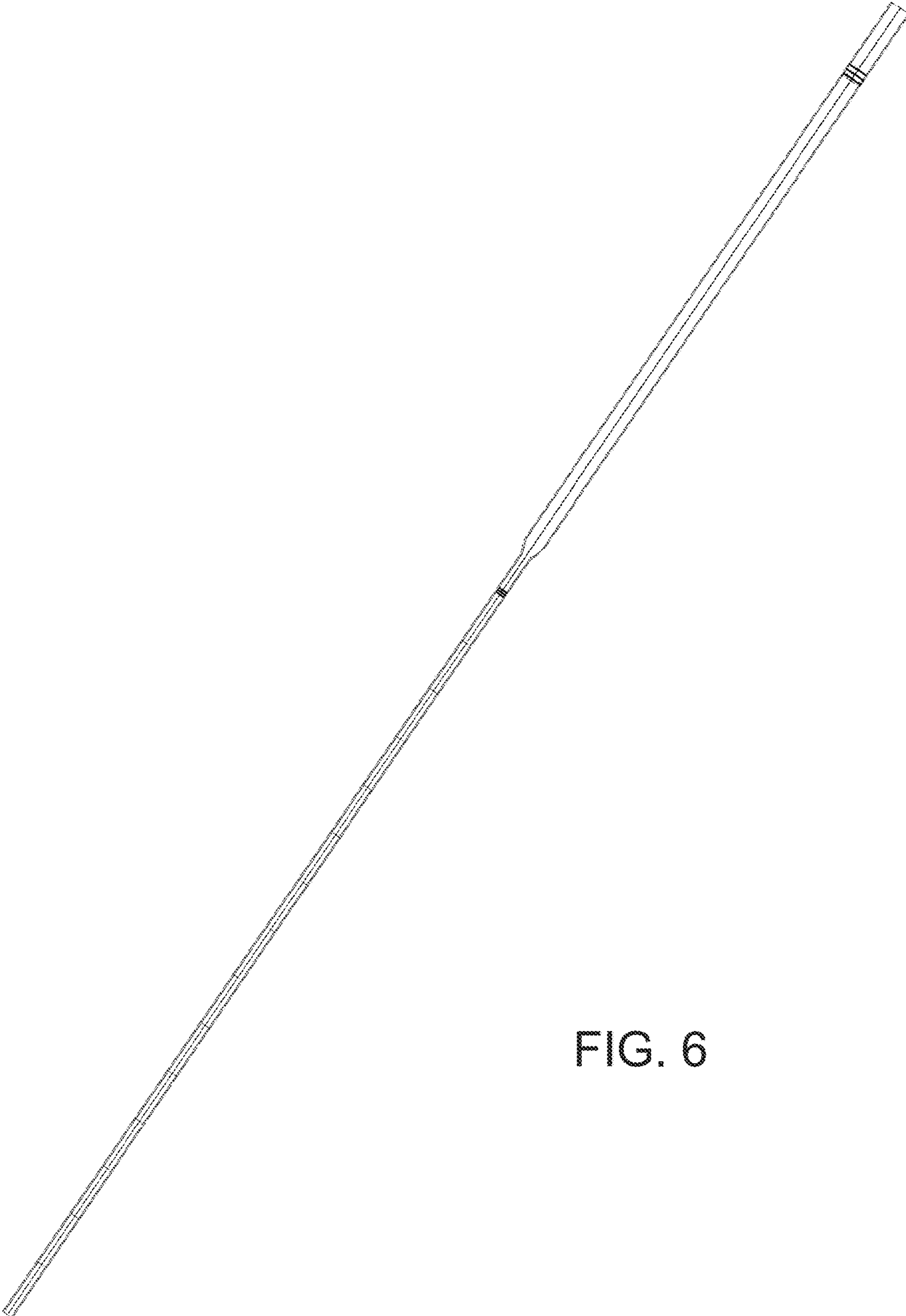


FIG. 6

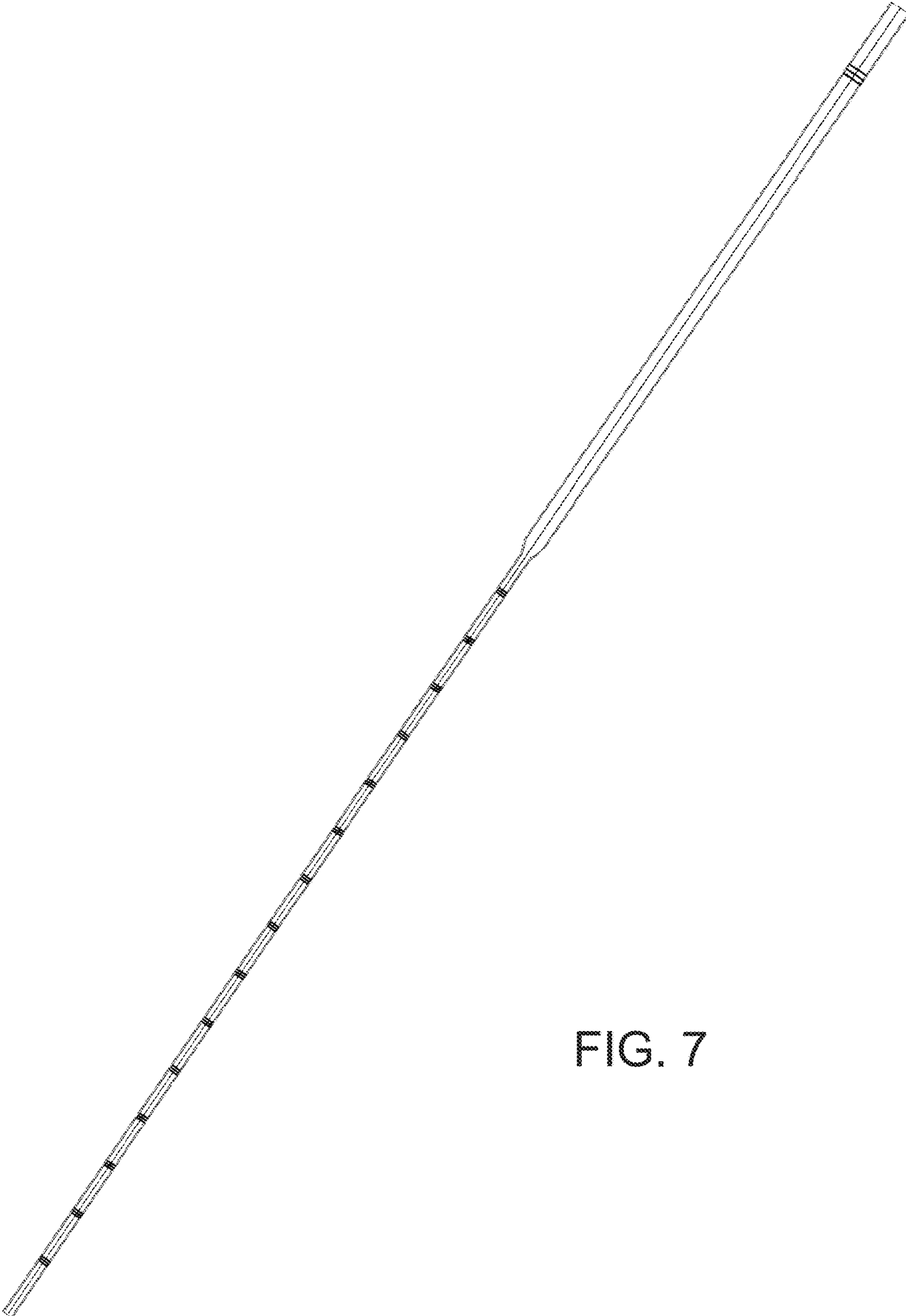


FIG. 7