



US00D876204S

(12) **United States Design Patent**  
**Stener**

(10) **Patent No.:** **US D876,204 S**

(45) **Date of Patent:** **\*\* Feb. 25, 2020**

(54) **BASE MOUNT**

(71) Applicant: **Wild West Investments, LLC**, Dallas, TX (US)

(72) Inventor: **Gavin Stener**, Dallas, TX (US)

(73) Assignee: **Wild West Investments, LLC**, Dallas, TX (US)

(\*\*) Term: **15 Years**

(21) Appl. No.: **29/691,527**

(22) Filed: **May 16, 2019**

(51) **LOC (12) Cl.** ..... **08-05**

(52) **U.S. Cl.**  
USPC ..... **D8/354**

(58) **Field of Classification Search**  
USPC ..... D14/371-382, 125-129, 336, 337,  
D14/447-452, 492, 335, 239, 457,  
(Continued)

(56) **References Cited**

**U.S. PATENT DOCUMENTS**

D290,719 S \* 7/1987 Holloway ..... D13/169  
D409,182 S \* 5/1999 Tyler ..... D14/413  
(Continued)

**FOREIGN PATENT DOCUMENTS**

CN 203567643 U 4/2014  
CN 208789606 U 4/2019  
(Continued)

**OTHER PUBLICATIONS**

ATV TEK Trio HD Receiver Hitch with 2 inch Ball Mount for  
ATV/UTV Universal TRH1, www.ridersdiscount.com, retrieved  
May 16, 2019, 3 pages/  
(Continued)

*Primary Examiner* — Katie Jane Stofko

(74) *Attorney, Agent, or Firm* — Dentons US LLP

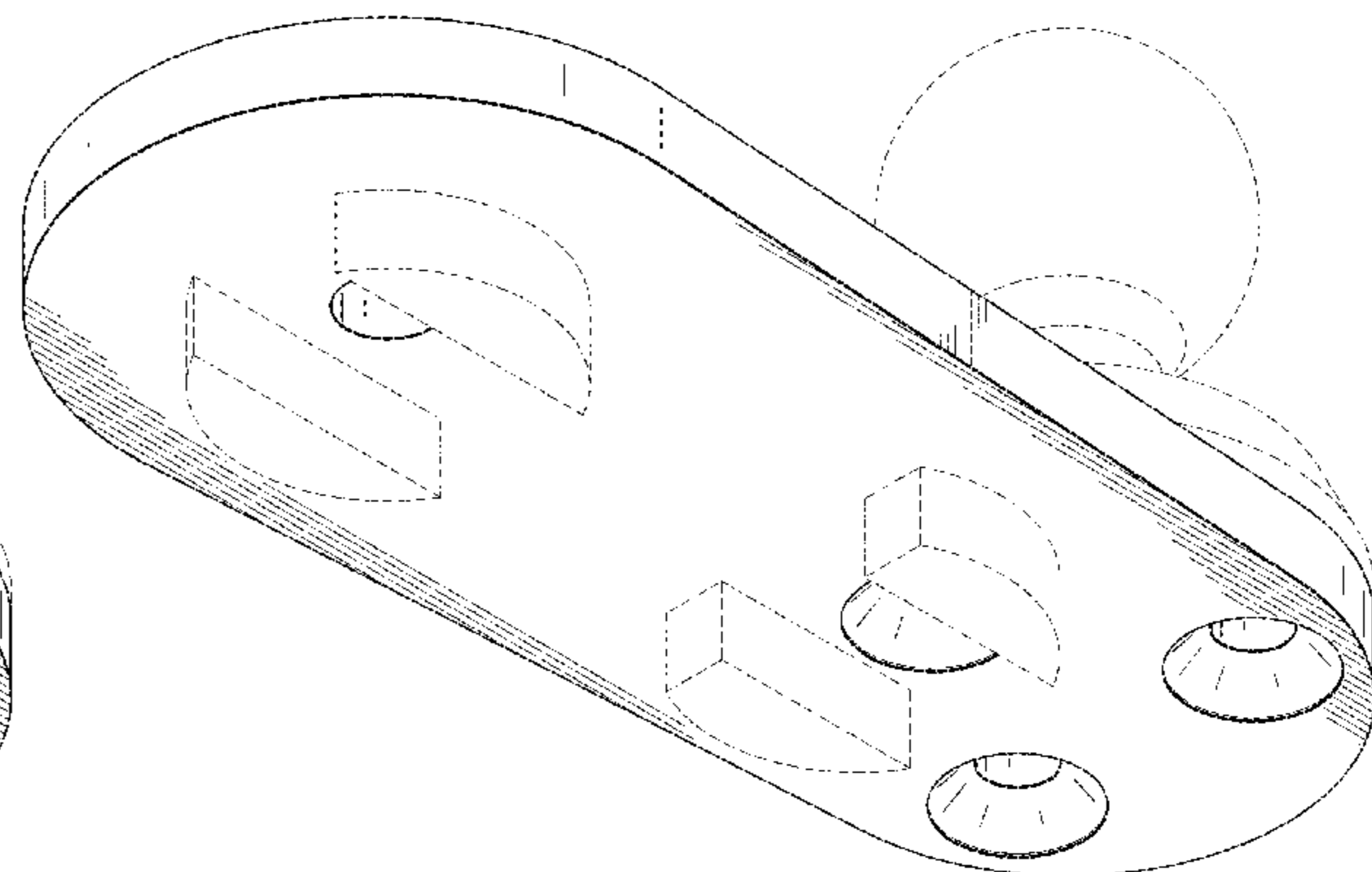
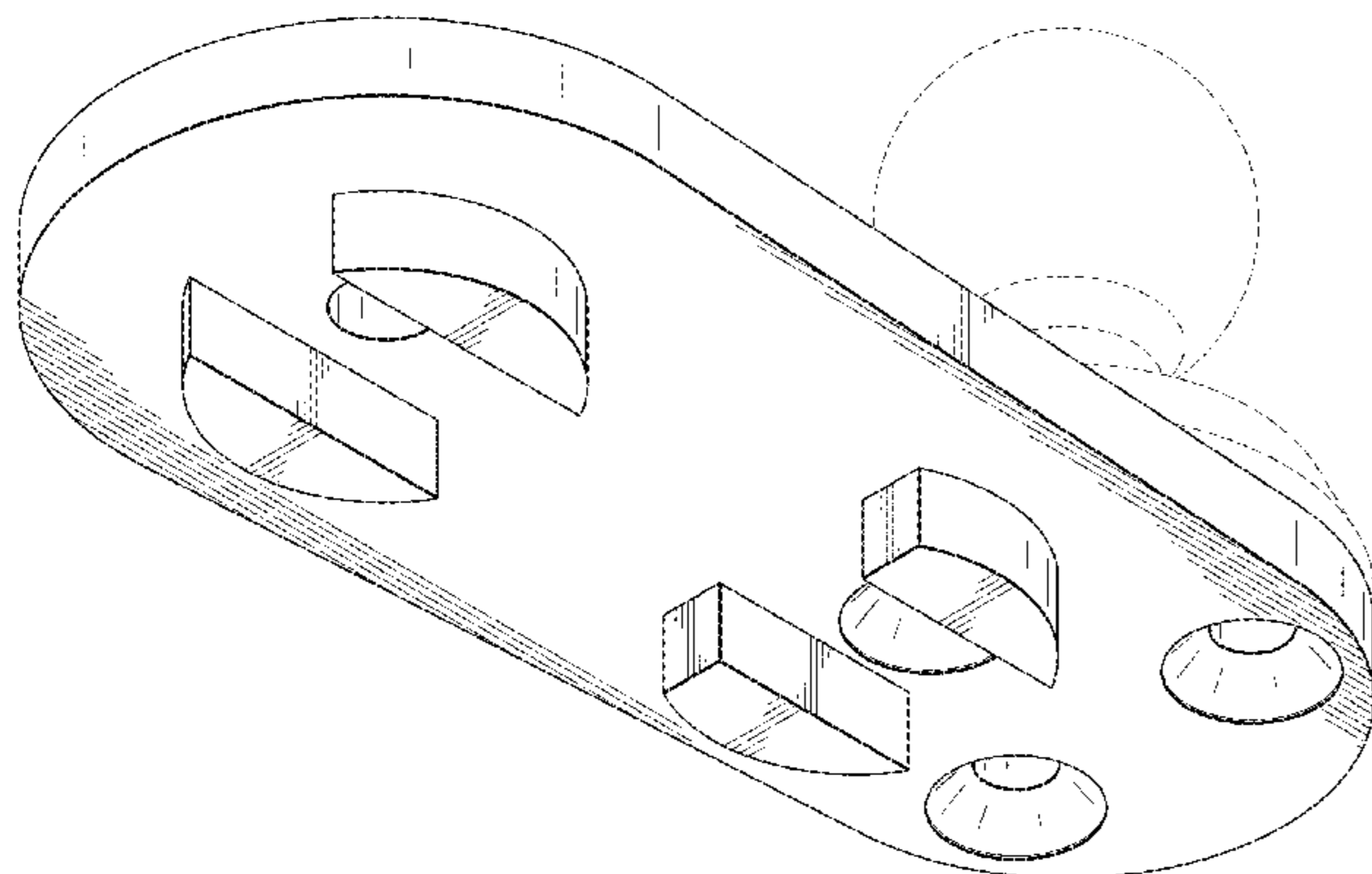
(57) **CLAIM**

An ornamental design for a base mount, as shown and described.

**DESCRIPTION**

FIG. 1 is a front perspective view of a first embodiment of a base mount;  
FIG. 2 is a front elevational view thereof;  
FIG. 3 is a rear elevational view thereof;  
FIG. 4 is a right-side elevational view thereof;  
FIG. 5 is a left-side elevational view thereof;  
FIG. 6 is a top view thereof;  
FIG. 7 is a bottom view thereof;  
FIG. 8 is a bottom perspective view thereof;  
FIG. 9 is a front perspective view of a second embodiment of a base mount;  
FIG. 10 is a front elevational view thereof;  
FIG. 11 is a rear elevational view thereof;  
FIG. 12 is a right-side elevational view thereof;  
FIG. 13 is a left-side elevational view thereof;  
FIG. 14 is a top view thereof;  
FIG. 15 is a bottom view thereof;  
FIG. 16 is a bottom perspective view thereof;  
FIG. 17 is a front perspective view of a third embodiment of a base mount;  
FIG. 18 is a front elevational view thereof;  
FIG. 19 is a rear elevational view thereof;  
FIG. 20 is a right-side elevational view thereof;  
FIG. 21 is a left-side elevational view thereof;  
FIG. 22 is a top view thereof;  
FIG. 23 is a bottom view thereof; and,  
FIG. 24 is a bottom perspective view thereof.  
The broken lines shown as dashed lines are for the purpose of illustrating unclaimed structure, and form no part of the claimed design.  
The broken lines shown as dash-dot lines define the bounds of the claimed design and form no part thereof.

**1 Claim, 21 Drawing Sheets**



(58) **Field of Classification Search**

USPC ..... D14/439–441, 432, 251–253, 413;  
                   D8/349, 354, 363, 373, 376, 380;  
                   D21/333; D12/415; D3/218; 348/180,  
                   348/184, 325, 739, 825; 248/323, 278.1,  
   248/286.1, 133  
 CPC ..... G06F 3/0412; G06F 3/016; G06F 3/0488;  
                   G06F 3/011; G06F 3/038; G06F 3/03543;  
                   G06F 3/0338; G06F 3/0202; G06F  
                   3/0219; G06F 3/0213; G06F 1/1616;  
                   G06F 3/023; G06F 3/04883; G02F  
                   1/13338; G02F 1/1313; G02F 1/1333;  
                   G02F 1/135; G02F 1/132; G02F  
                   1/133308; G02F 1/134309; G02F  
                   1/13718; G09G 3/3648; G06K 15/1252;  
                   B41J 2/465; G03F 7/70291; G02B  
                   27/0172; G02B 5/30; G02B 2027/0118;  
                   G02B 27/0101; F16M 13/02; F16M  
                   13/00; F16M 11/10; F16M 11/04; F16M  
                   2200/08; F16M 11/2021; A47B 21/0314;  
                   A47B 88/044; A47B 2021/0335; H02G  
                   3/126; F16B 47/00; F16B 47/006; A47G  
   1/17; A47K 2201/00

See application file for complete search history.

(56) **References Cited**

U.S. PATENT DOCUMENTS

D723,559 S \* 3/2015 Hein ..... D14/413  
 D733,116 S \* 6/2015 Aspinall ..... D14/253  
 9,671,060 B1 6/2017 Cifers  
 D792,418 S \* 7/2017 Stener ..... D14/451

D799,466 S 10/2017 Sukphist et al.  
 9,863,576 B1 \* 1/2018 Cifers ..... F16M 13/02  
 D835,091 S 12/2018 Torrance  
 D838,579 S \* 1/2019 Stener ..... D8/354  
 10,237,383 B2 3/2019 Park  
 D845,111 S \* 4/2019 Stener ..... D8/354  
 D847,609 S \* 5/2019 Ng ..... D8/354  
 D847,621 S \* 5/2019 Kolar ..... D8/381  
 D848,819 S \* 5/2019 French ..... D8/349  
 2006/0175595 A1 \* 8/2006 Carnevali ..... E04H 12/2261  
   256/65.14  
 2012/0045276 A1 \* 2/2012 Carnevali ..... F16B 7/20  
   403/350  
 2018/0347749 A1 12/2018 Carnevali

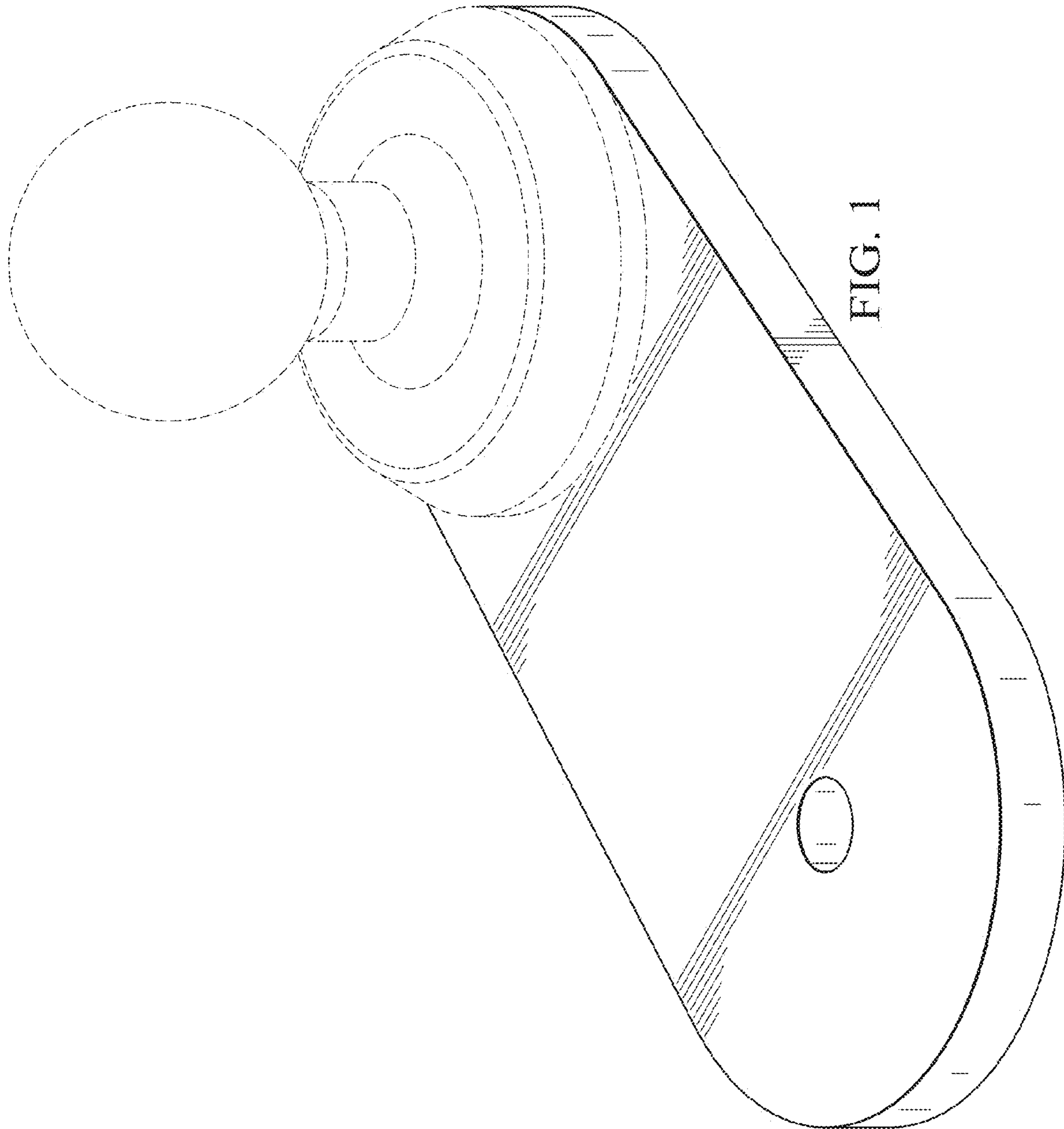
FOREIGN PATENT DOCUMENTS

EP 2119599 B1 1/2012  
 KR 19980013880 U 6/1998

OTHER PUBLICATIONS

Ball Mount with Move Clip, [www.proclipusa.com](http://www.proclipusa.com), retrieved May 16, 2019, 2 pages.  
 HR KFZ Luftungsgitter Halterung Fur TomTom Start 20/25 (1526/TomTom Adapter), [www.ebay.de](http://www.ebay.de), retrieved May 16, 2019, 2 pages.  
 Light & Motion Sola Photo Ball Mount, [www.bluewaterphotostore.com](http://www.bluewaterphotostore.com), retrieved May 16, 2019, 1 page.  
 Ready Tow Ball Mount (15,000LBS)—(2" Drop Ball Mount, 2<sup>5</sup>/<sub>16</sub>" Hitch Ball & Hitch Pin), [www.suspensionconnection.com](http://www.suspensionconnection.com), retrieved May 16, 2019, 2 pages.  
 TackForm Motorcycle Phone Mount, [www.amazon.com](http://www.amazon.com), retrieved May 16, 2019, 1 page.

\* cited by examiner



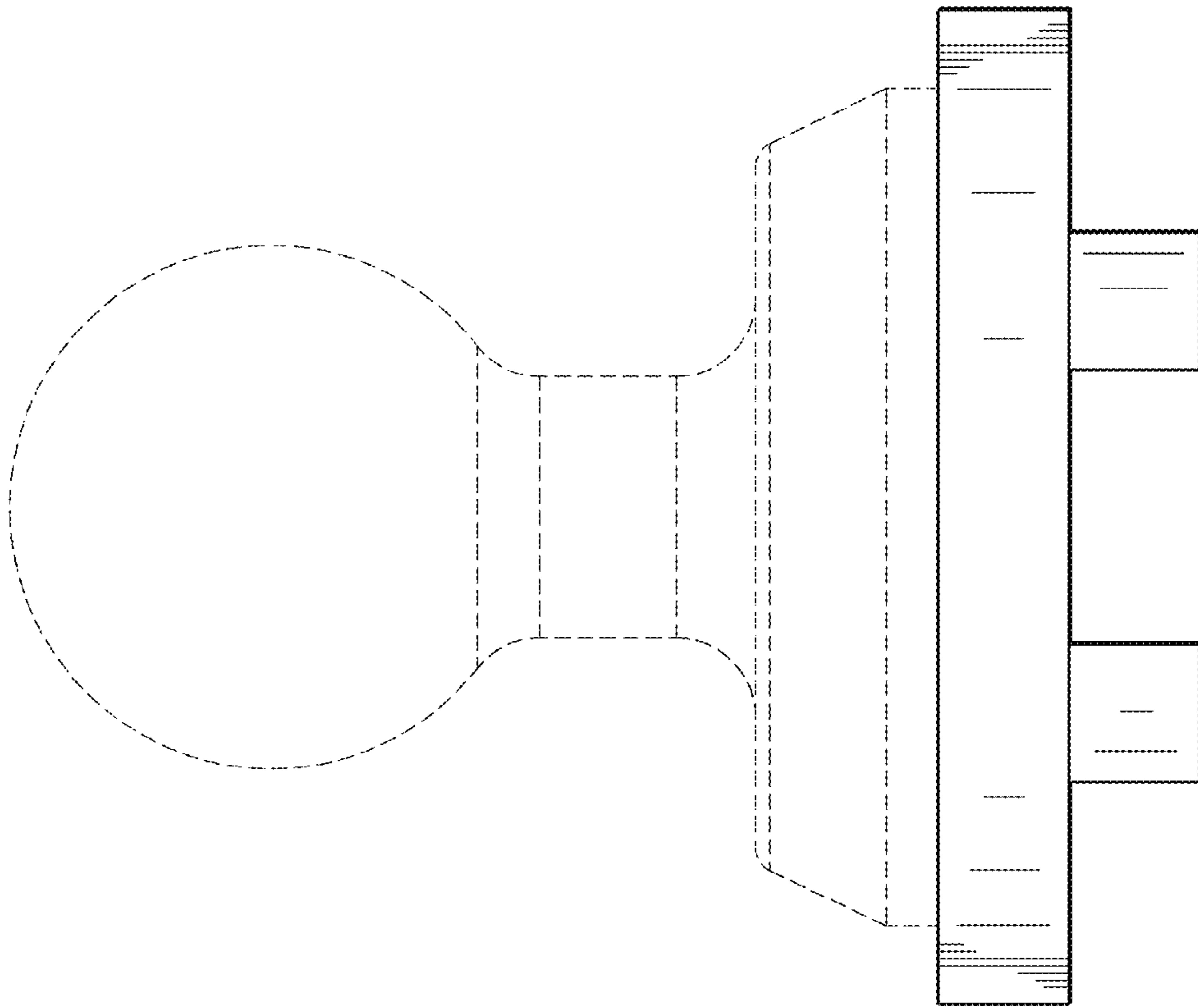


FIG. 3

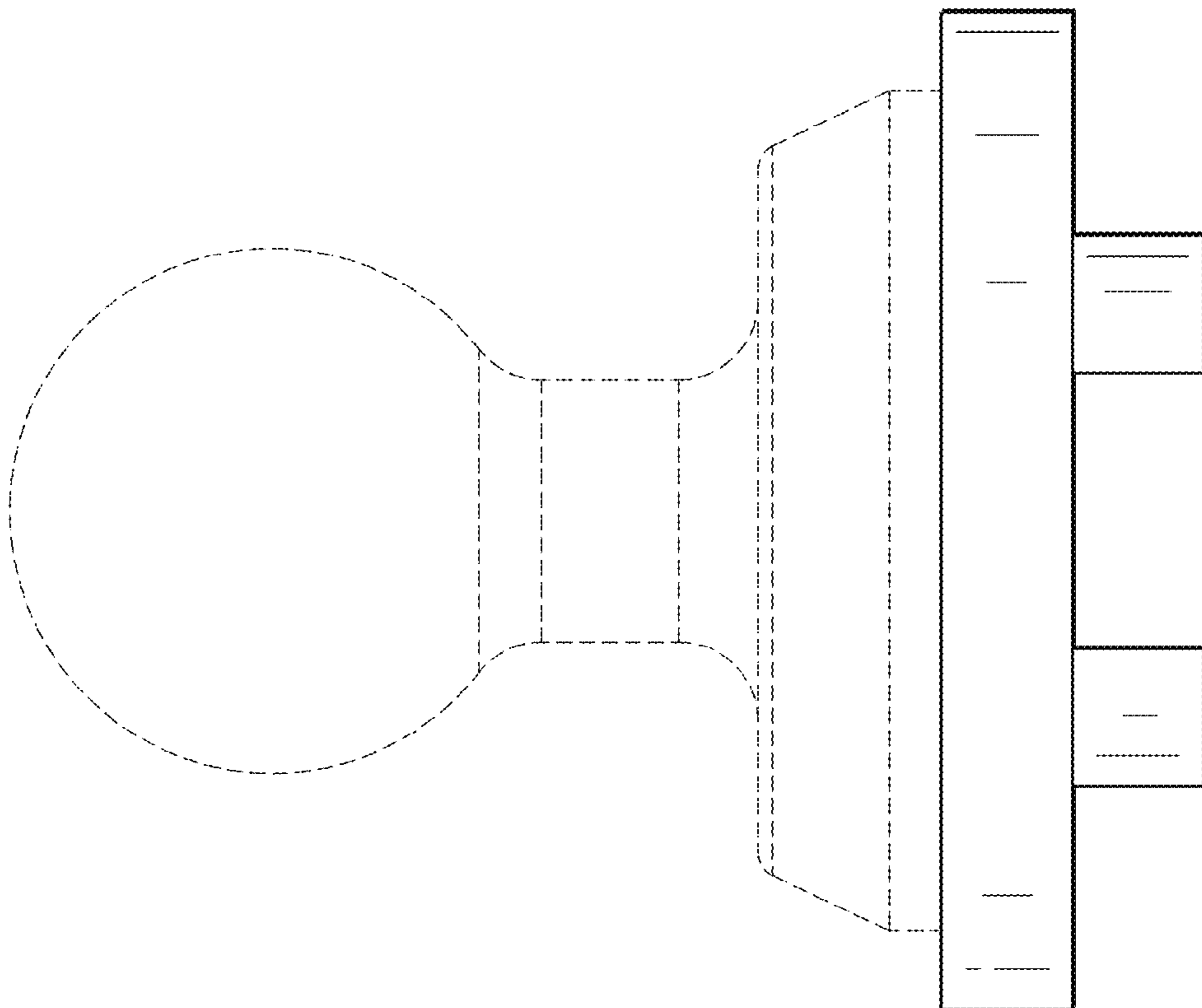


FIG. 2

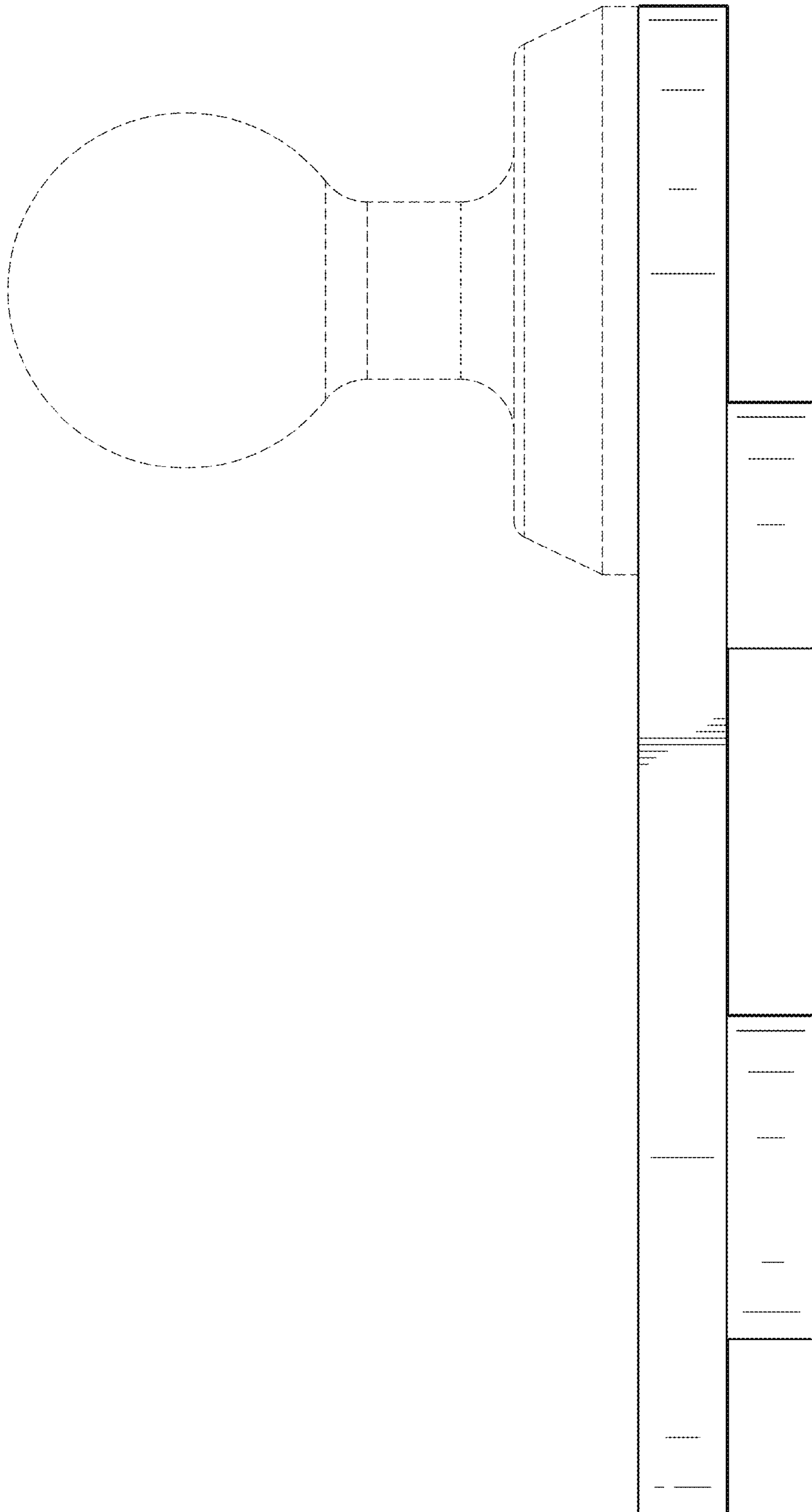


FIG. 4

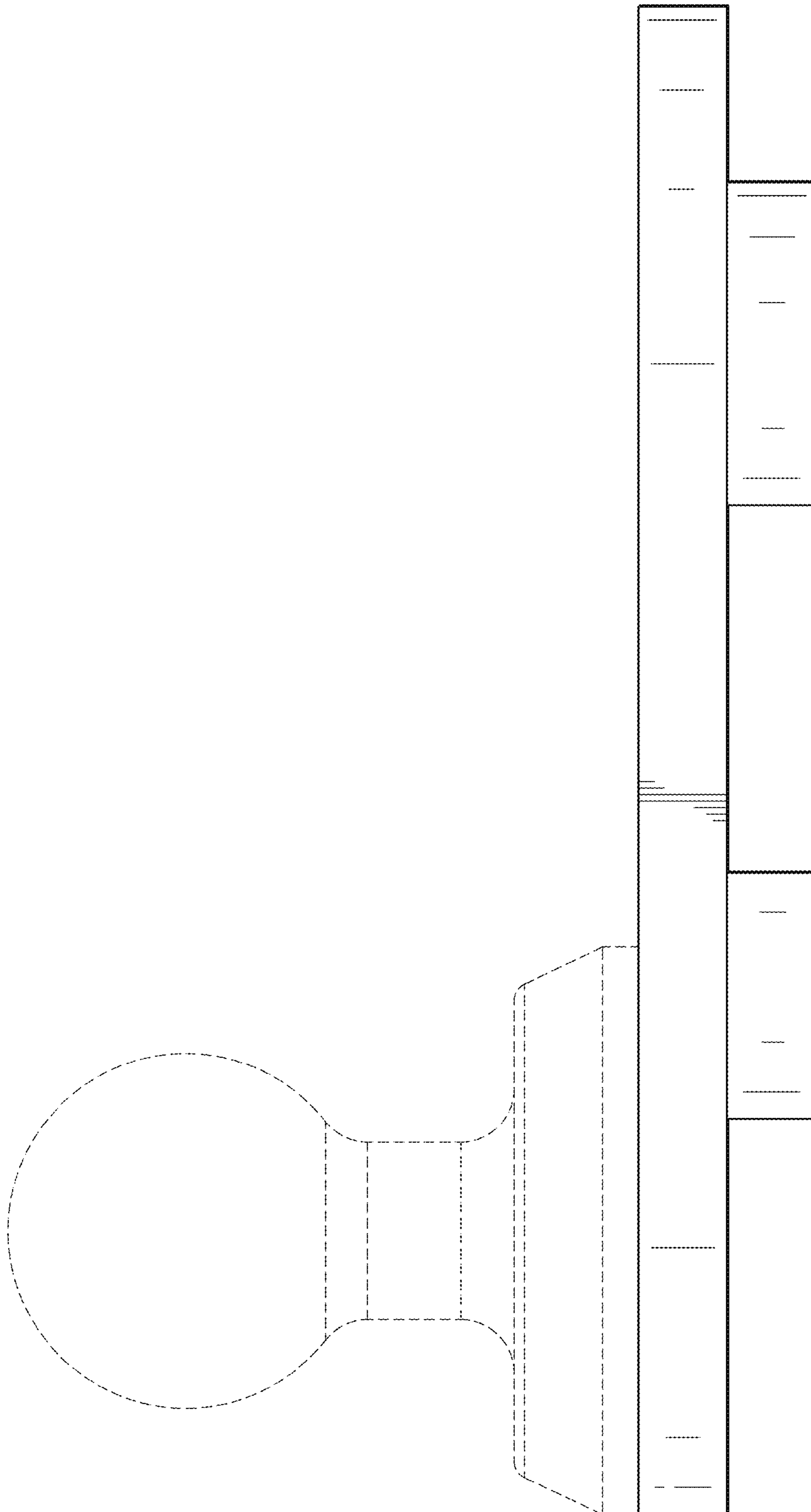


FIG. 5

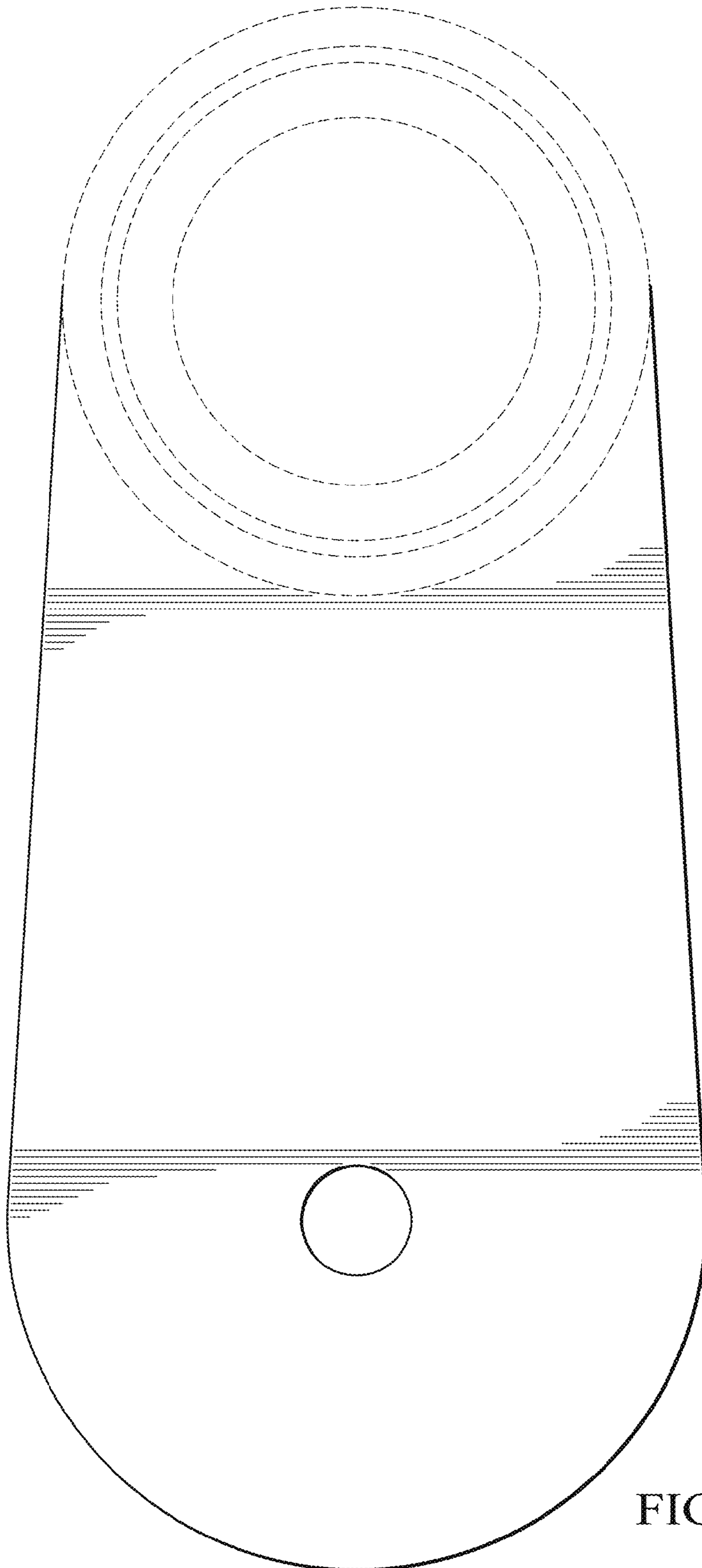


FIG. 6

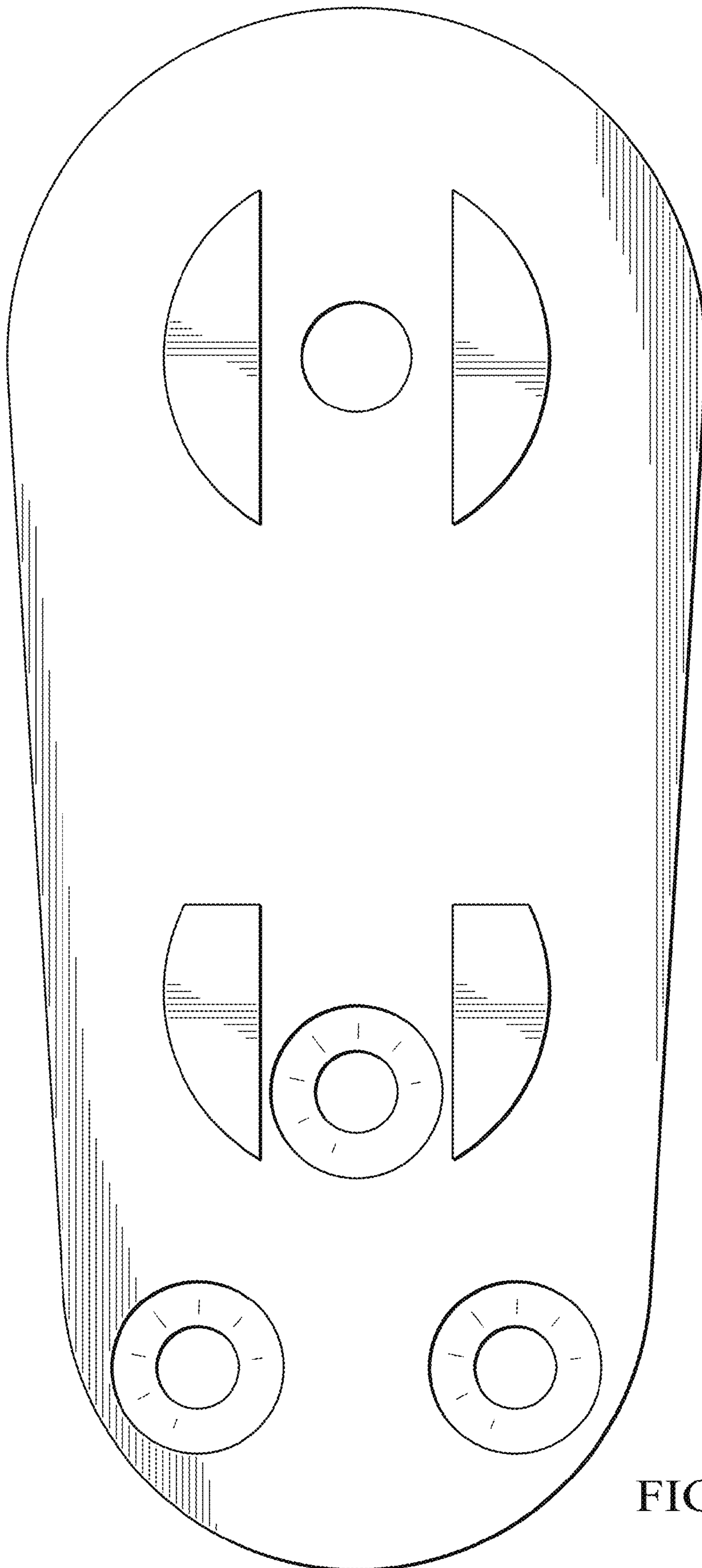


FIG. 7



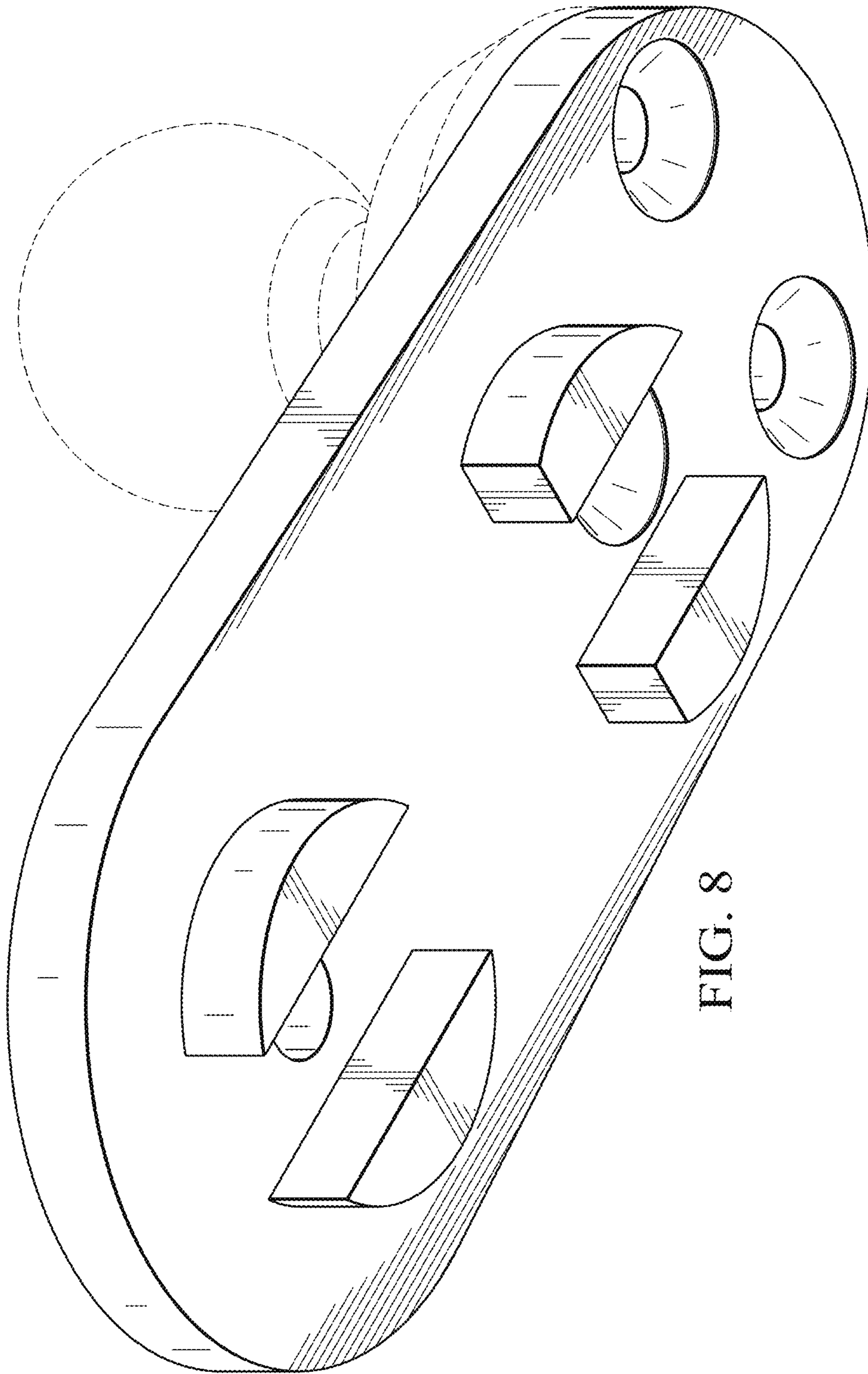
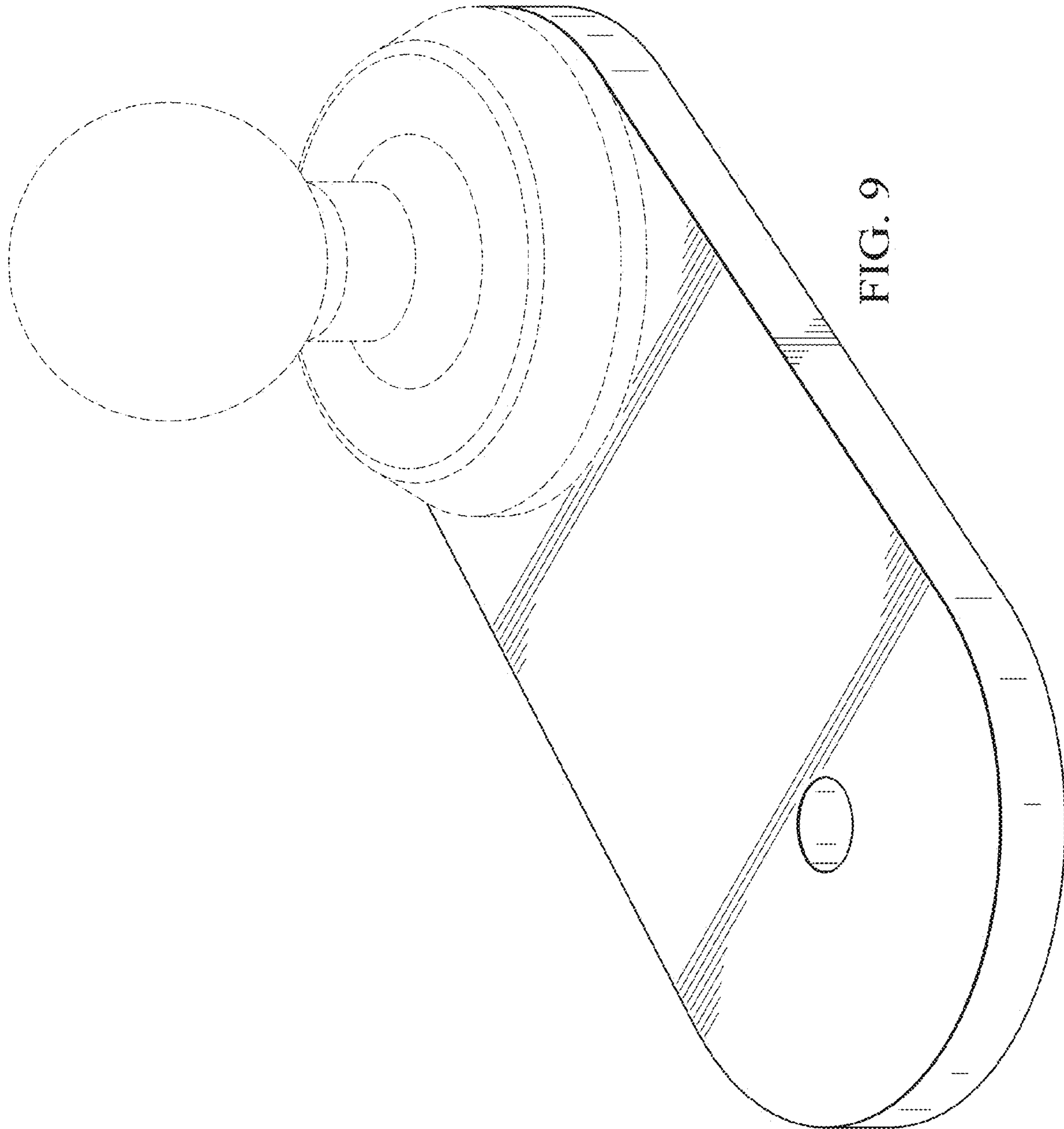


FIG. 8



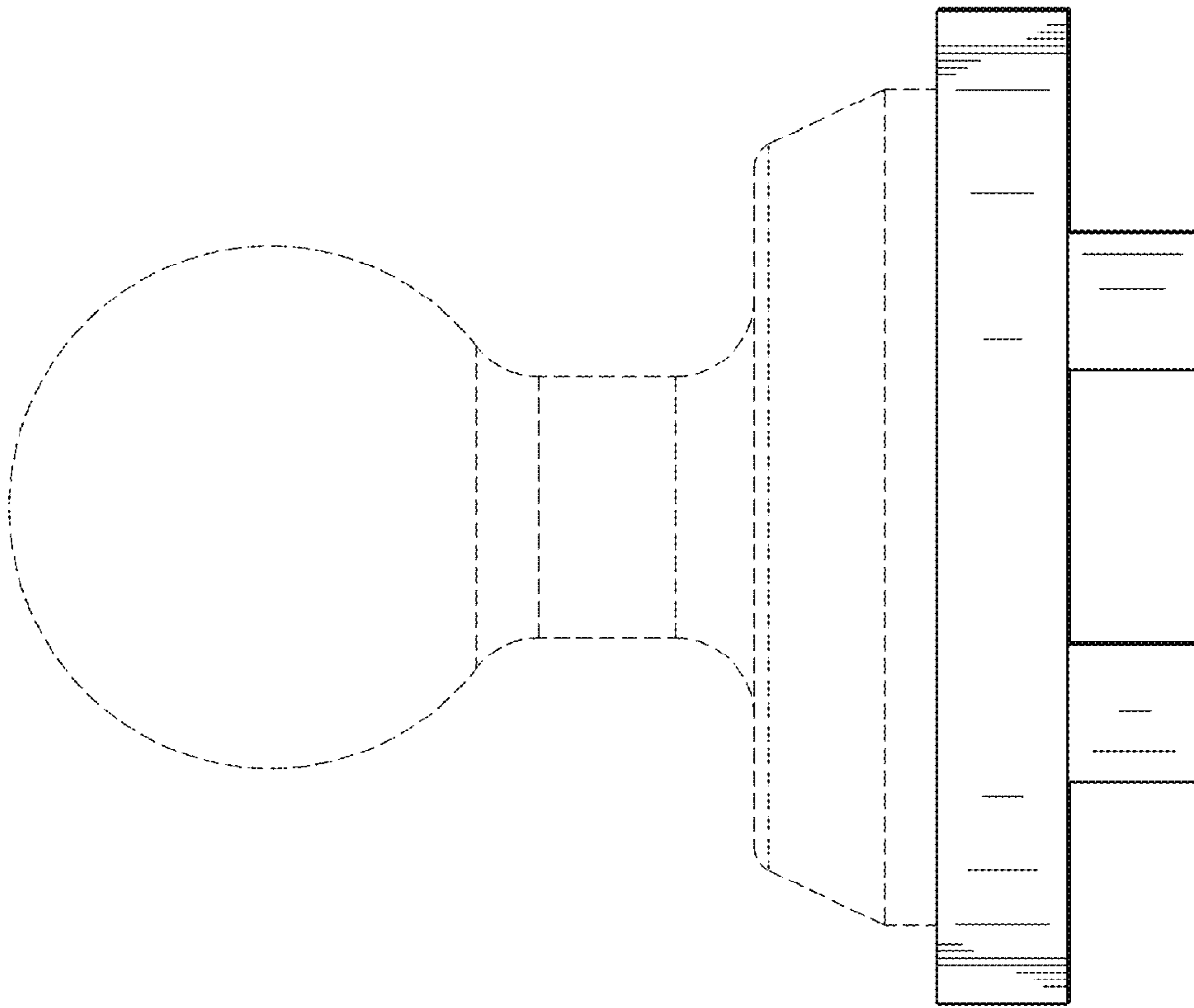


FIG. 10

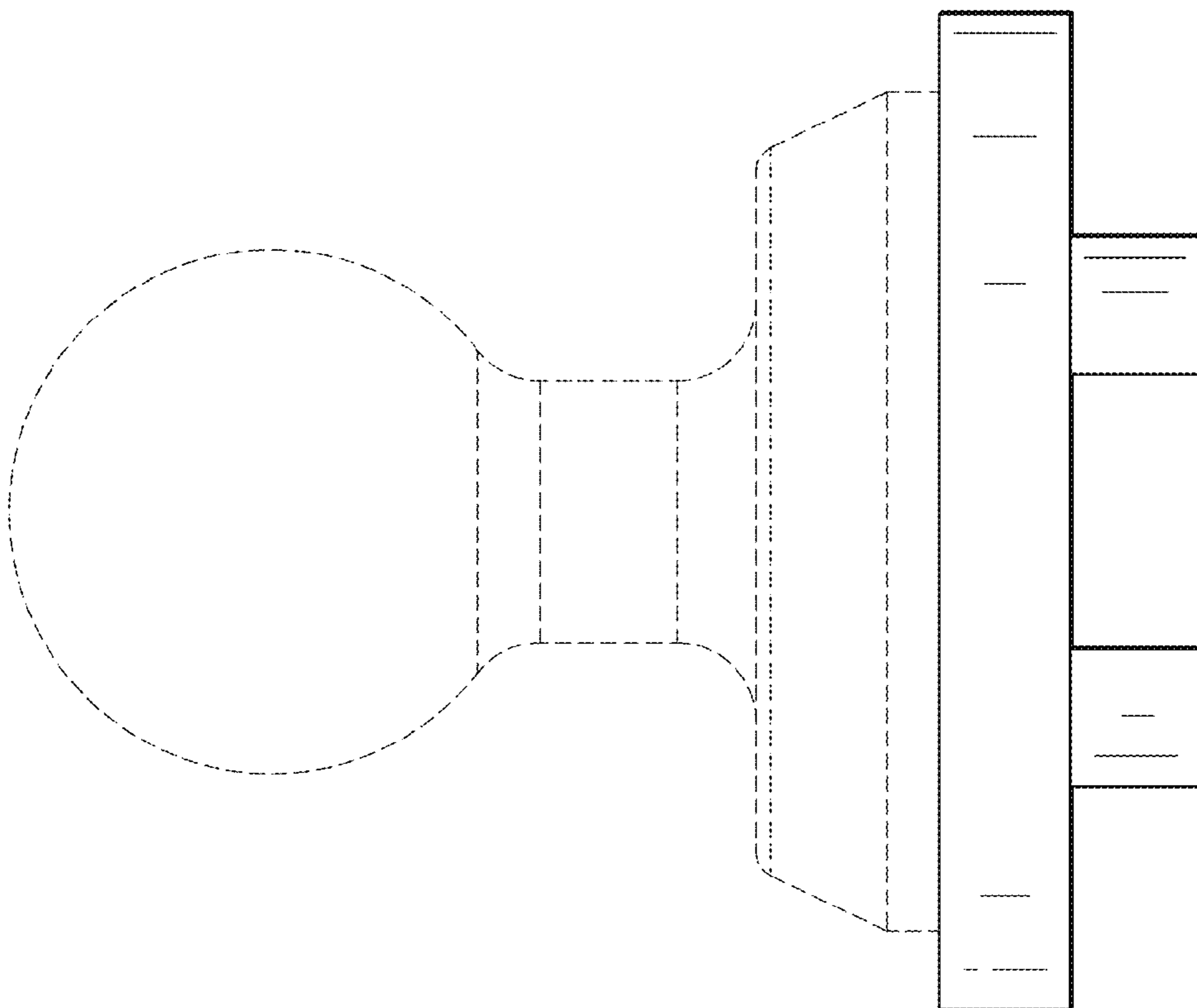


FIG. 11

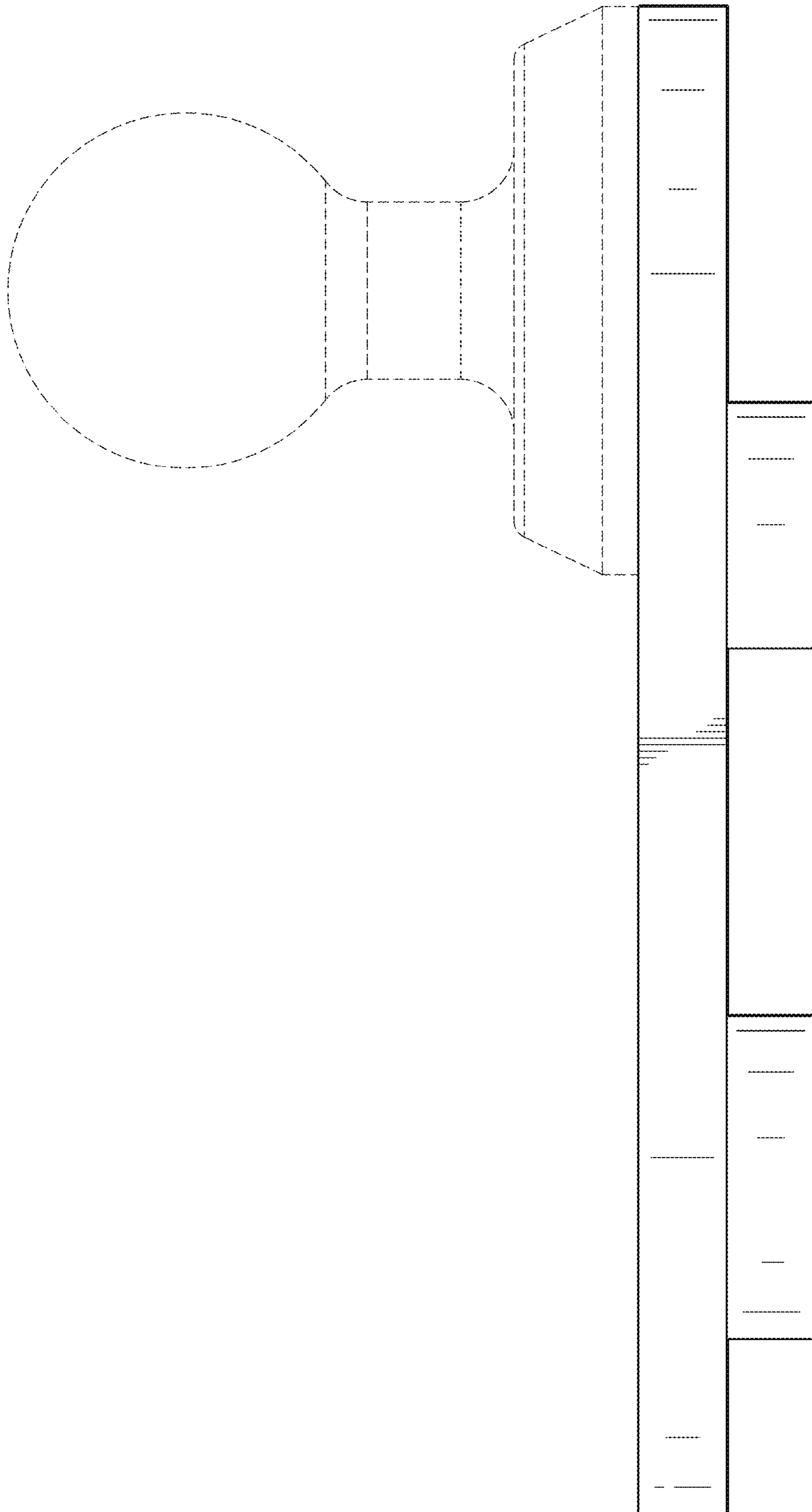


FIG. 12

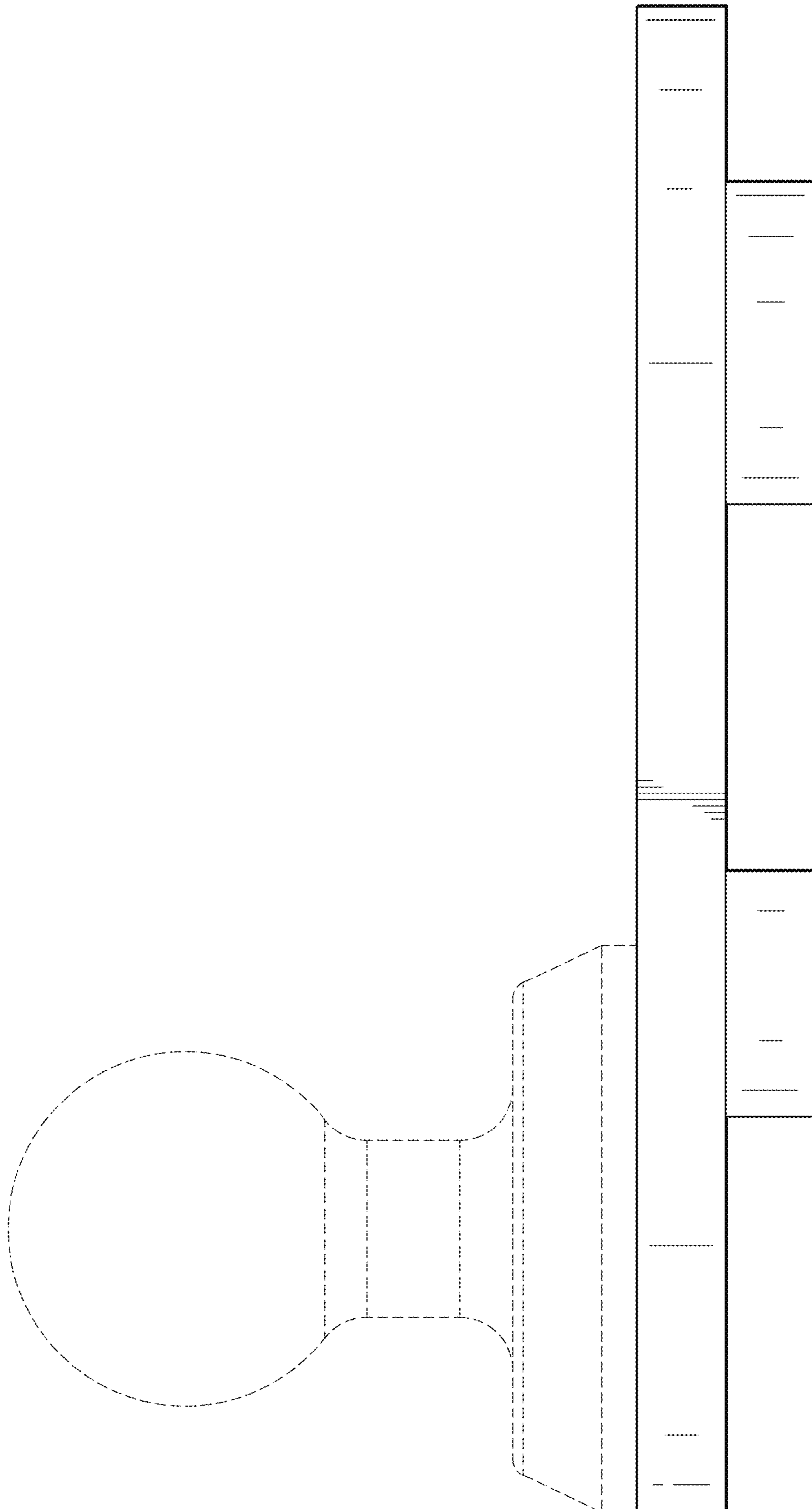


FIG. 13

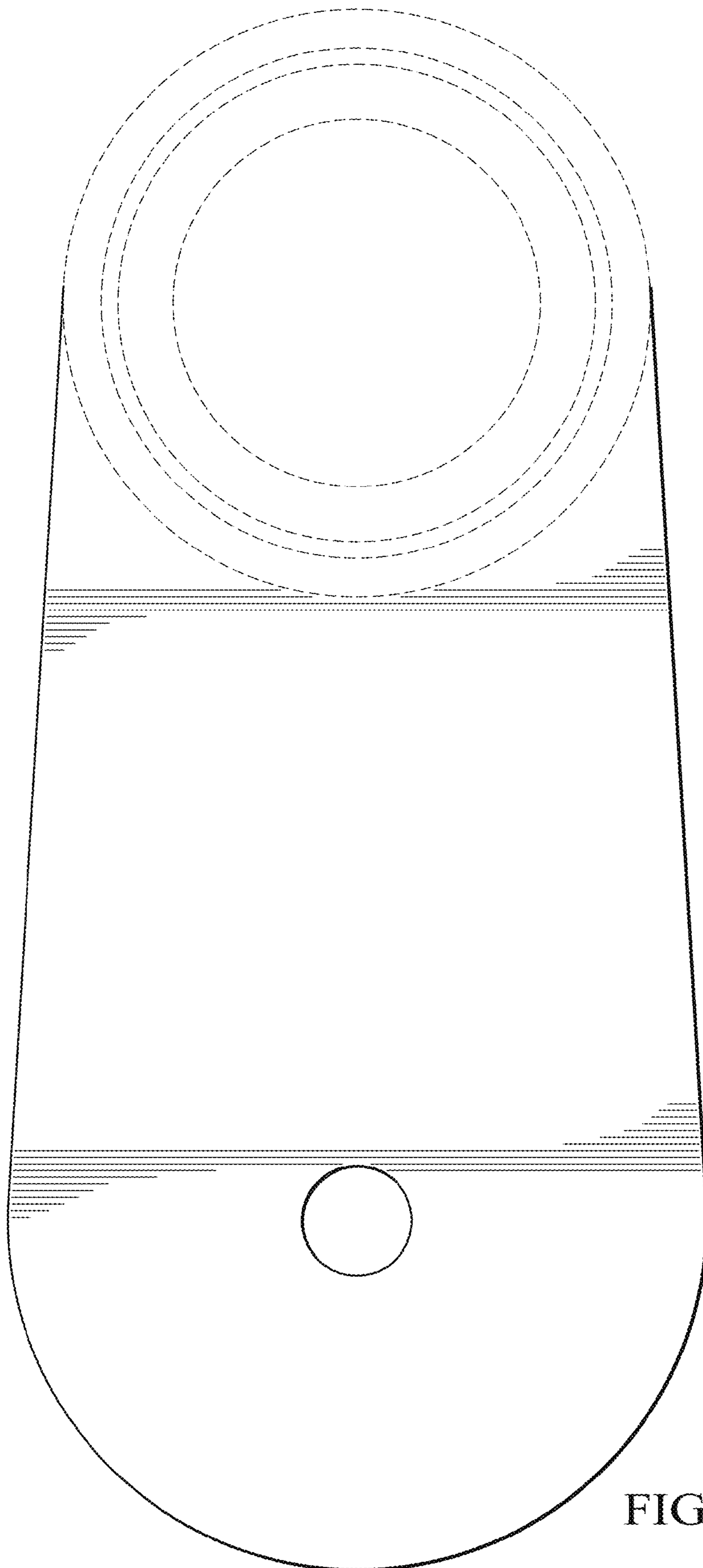


FIG. 14

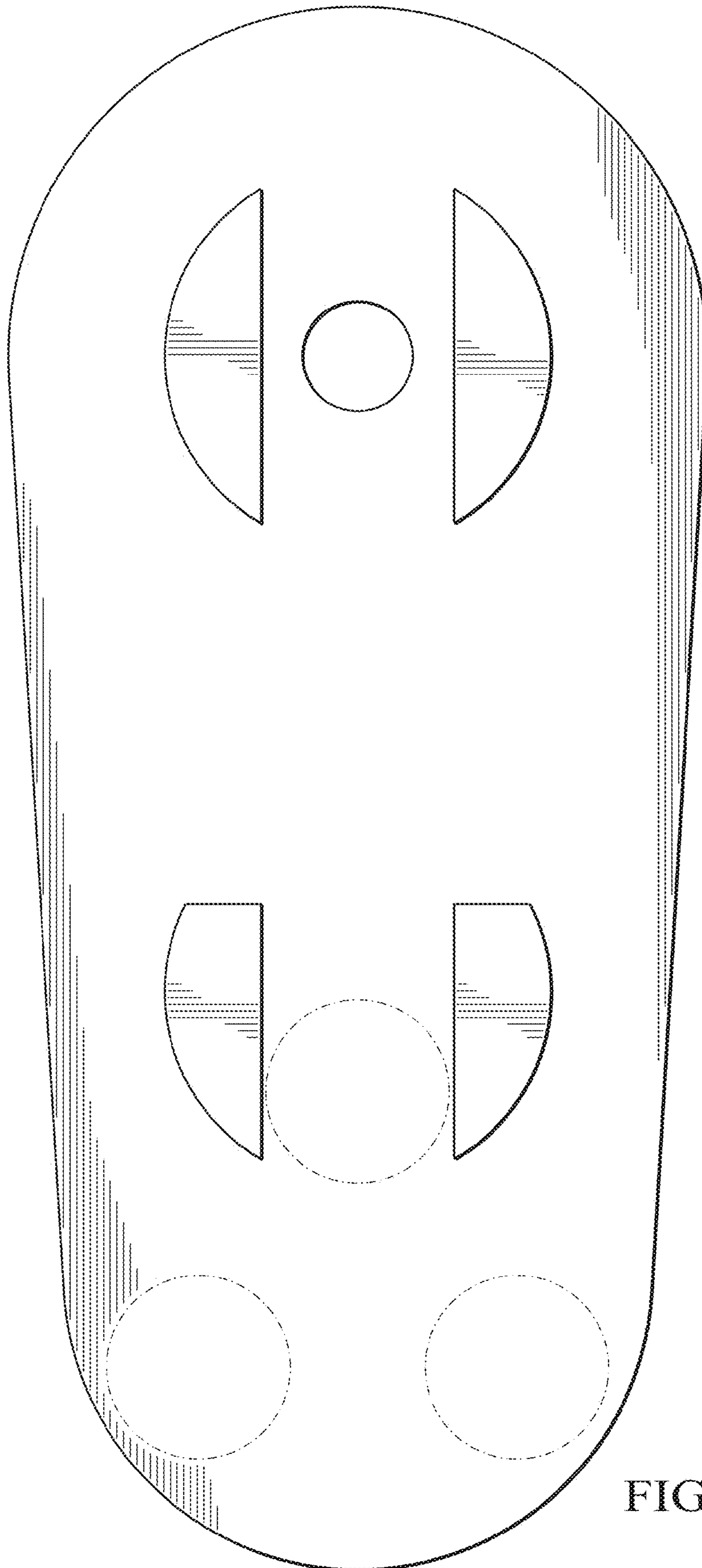


FIG. 15

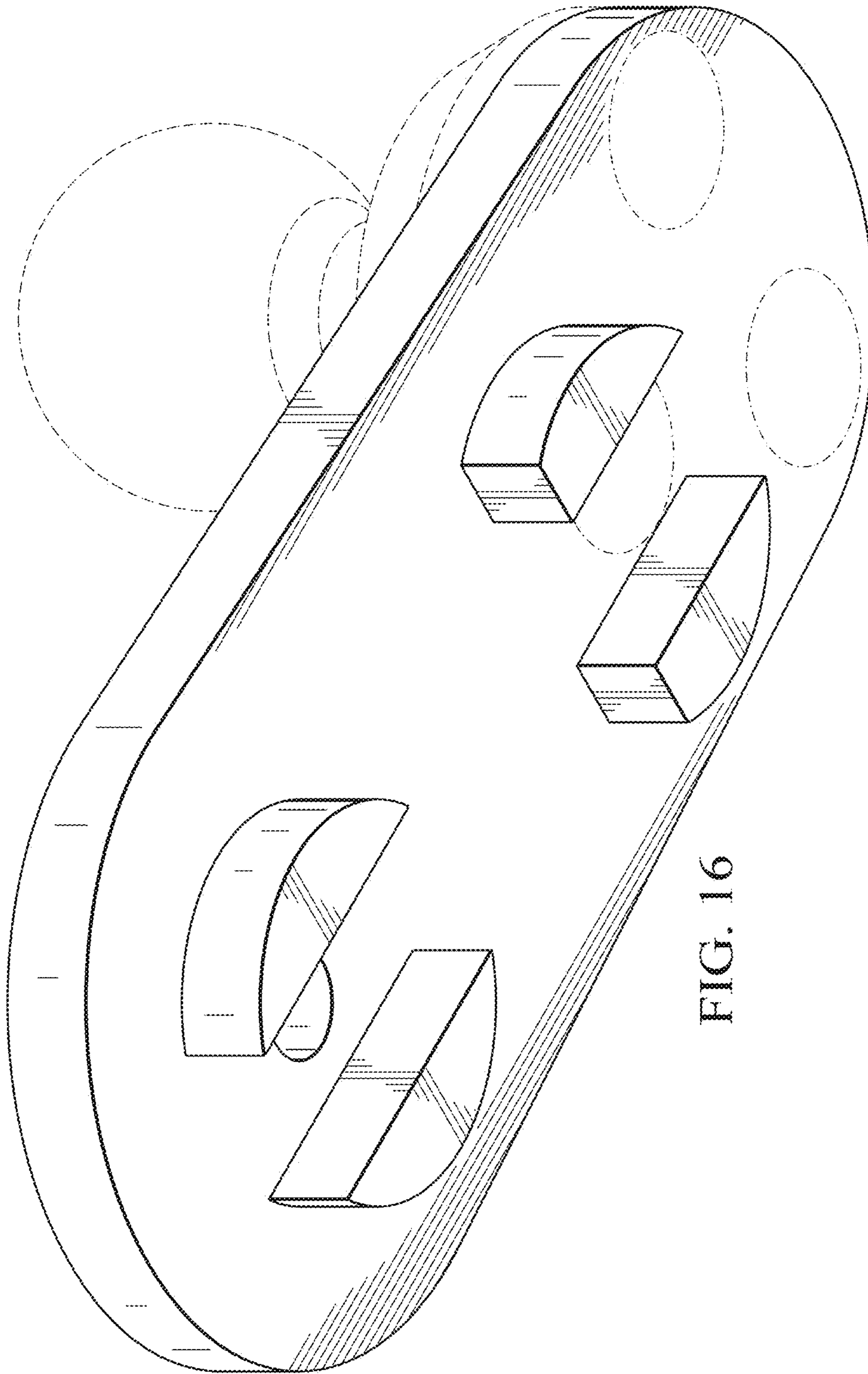
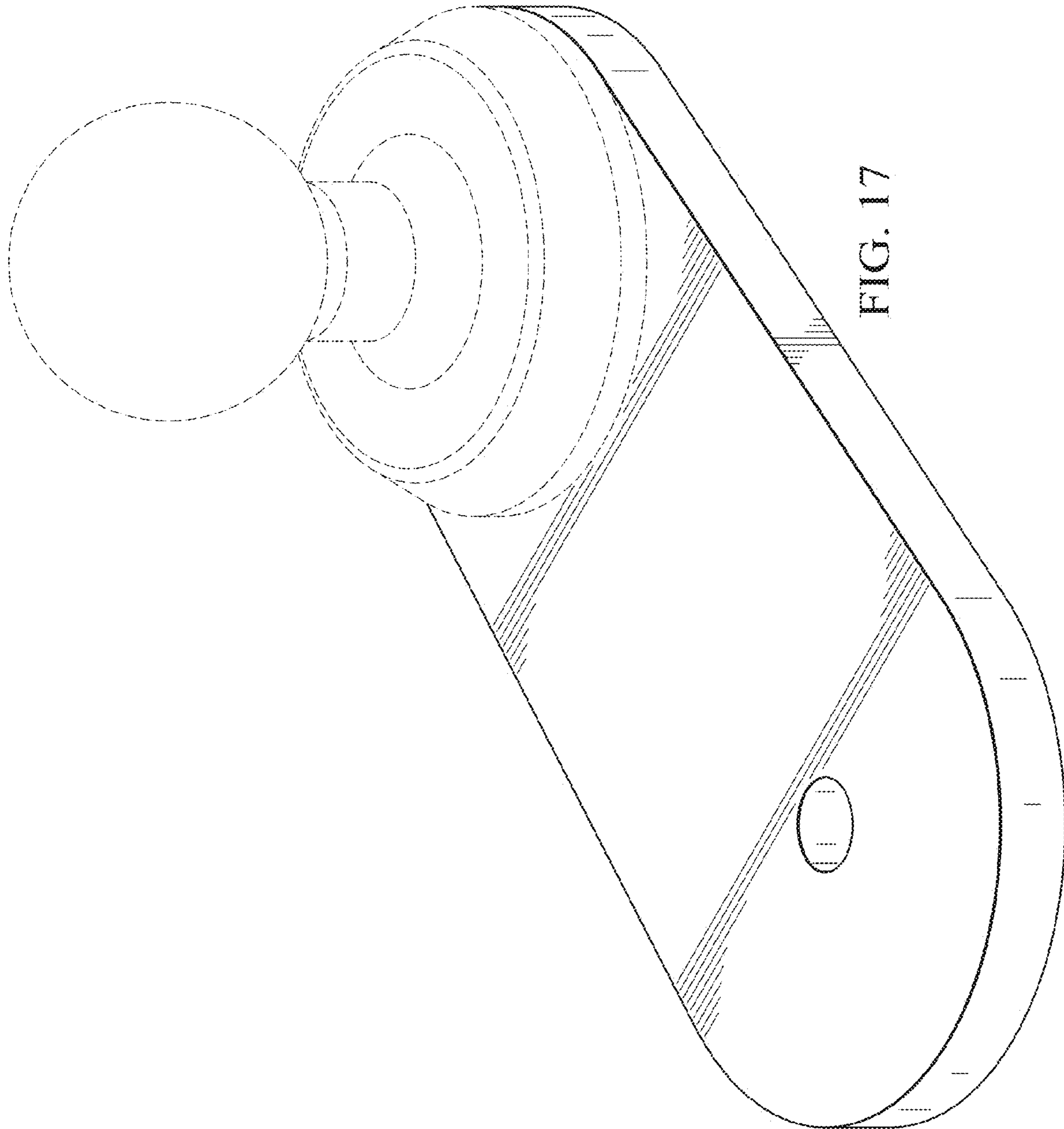


FIG. 16





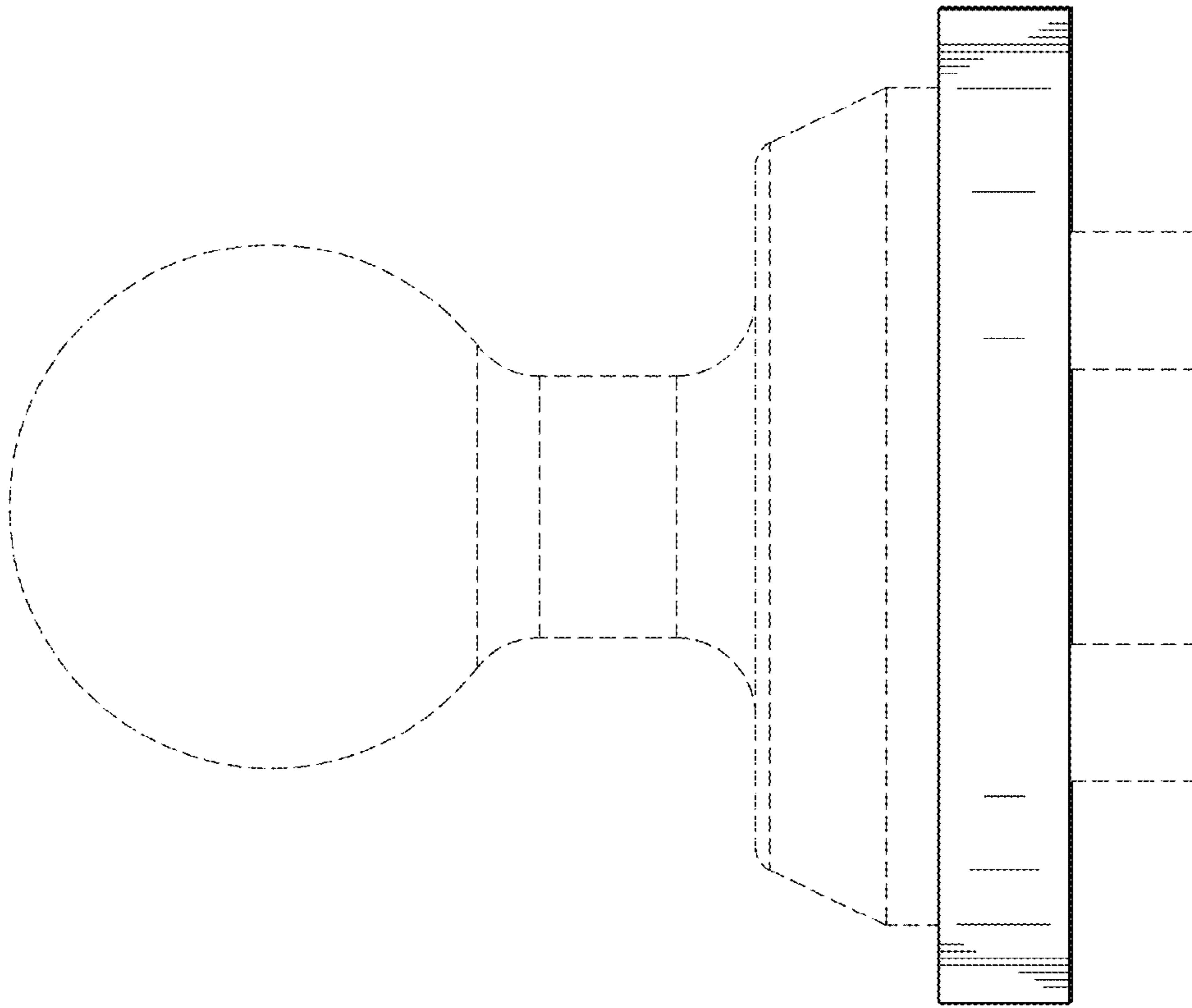


FIG. 18

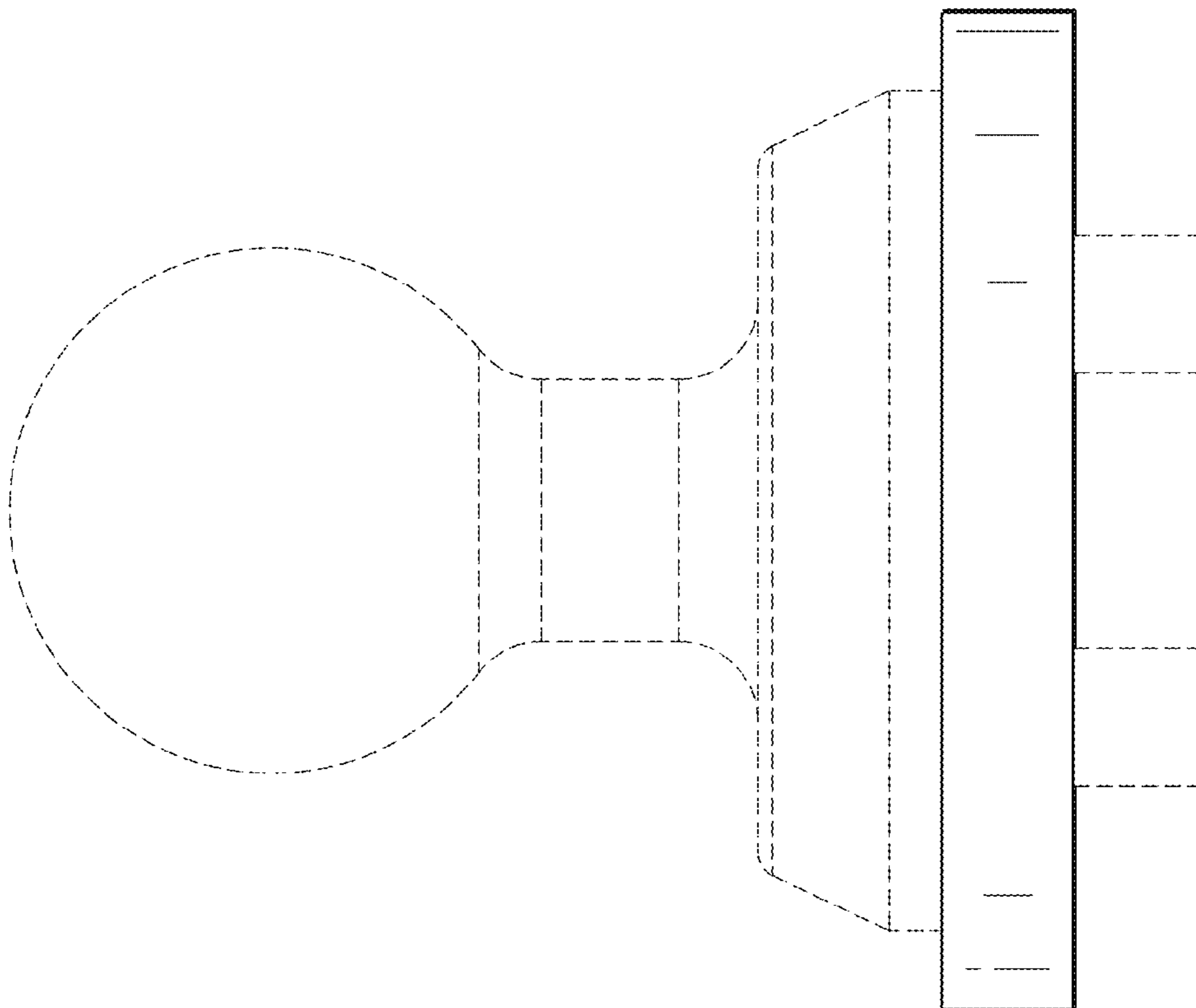


FIG. 19

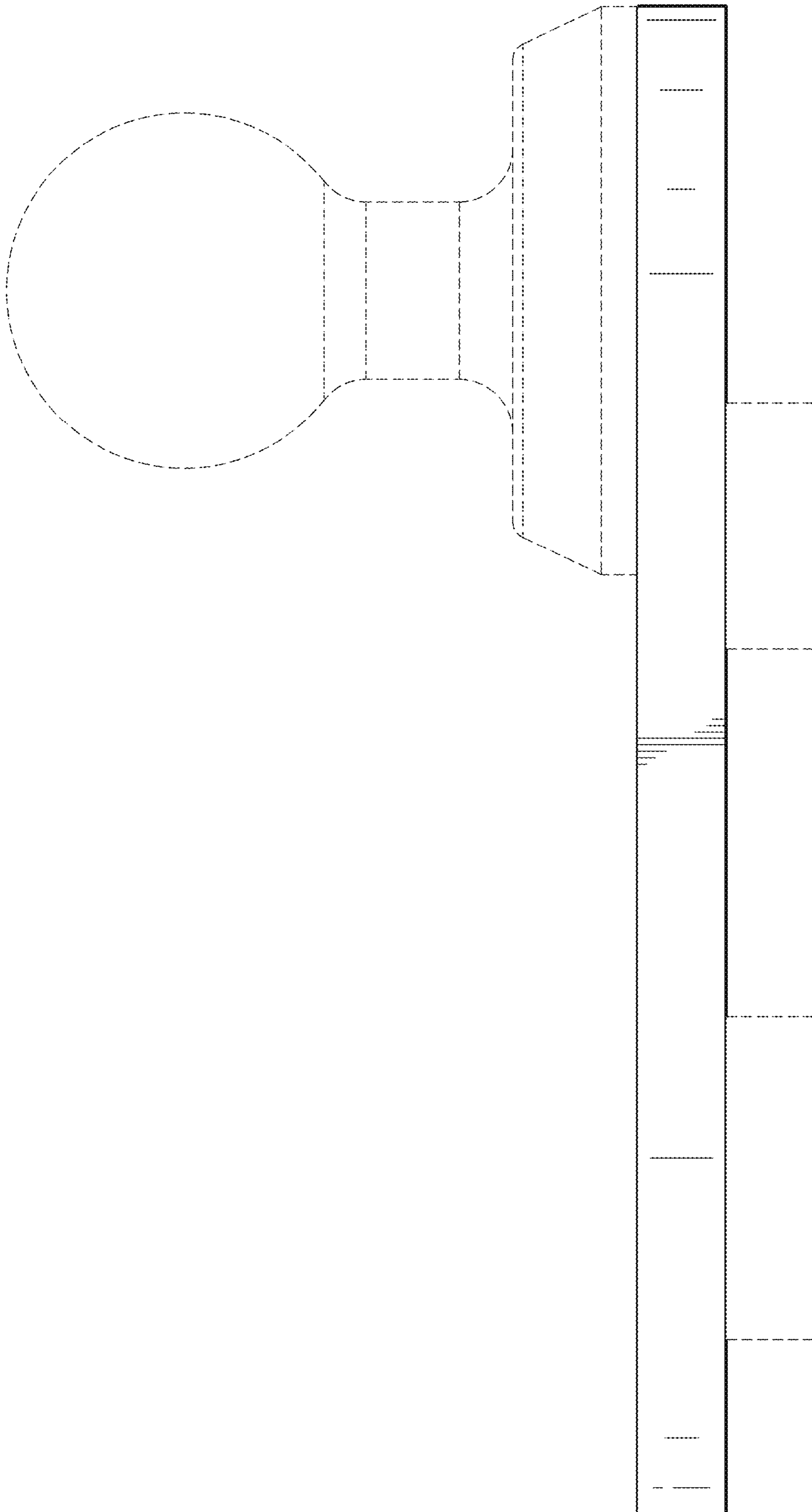


FIG. 20

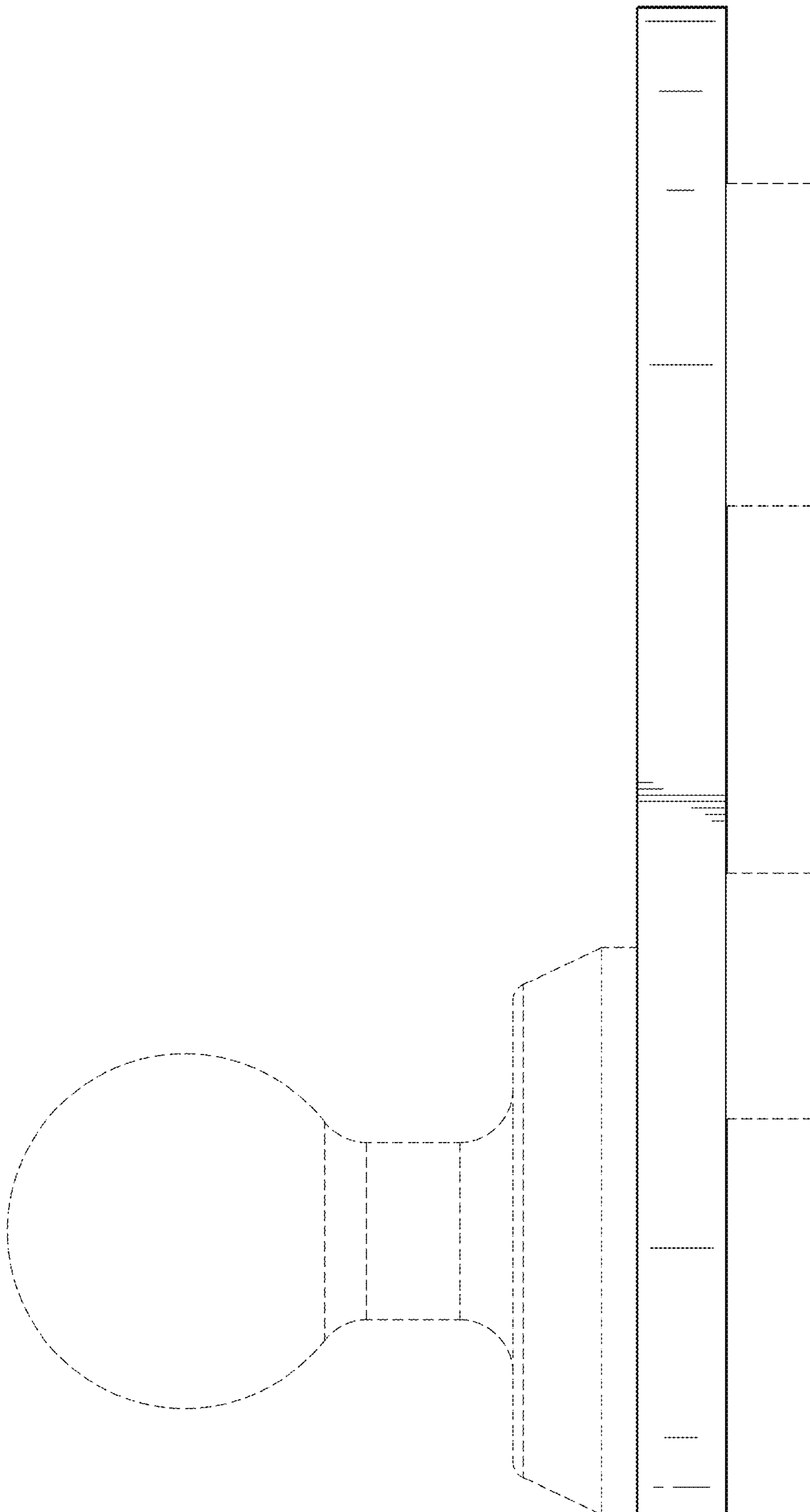


FIG. 21

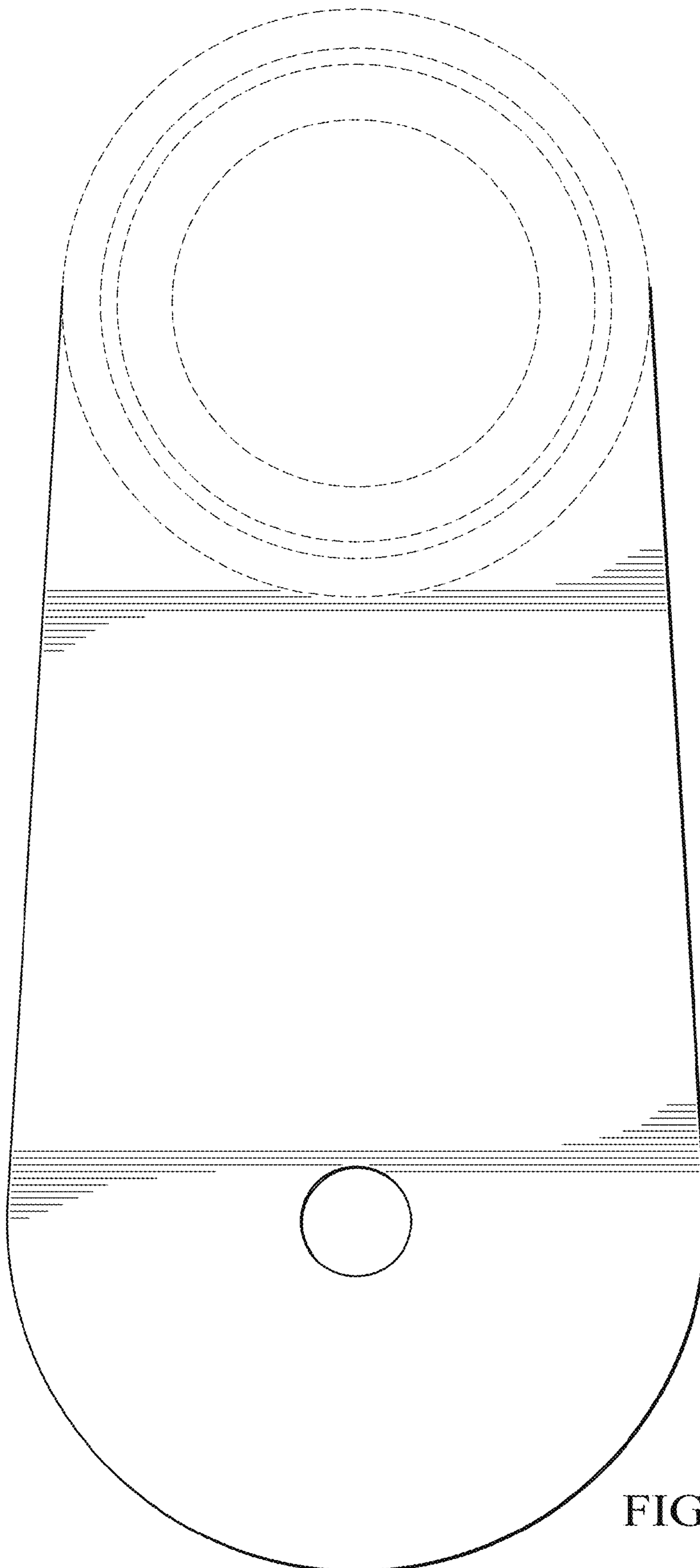


FIG. 22

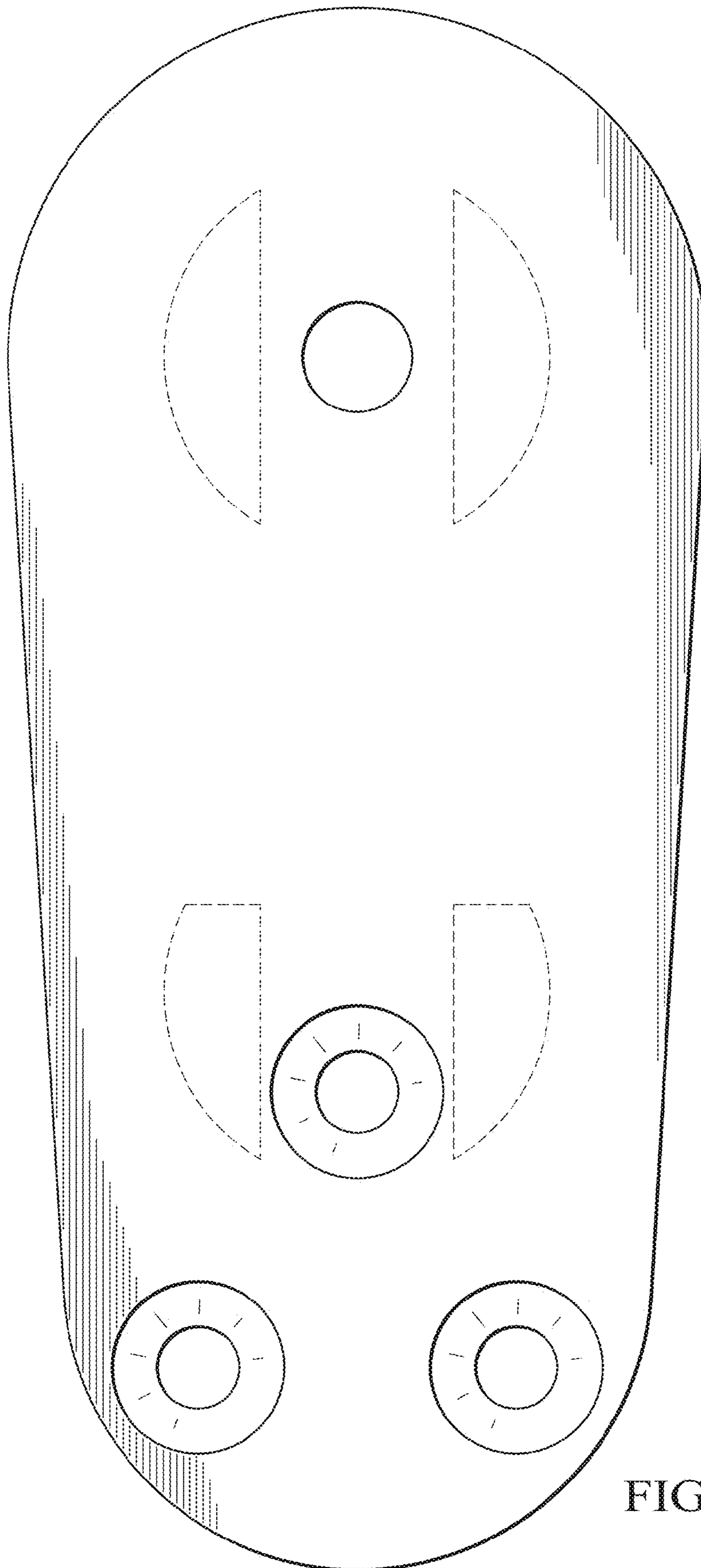


FIG. 23

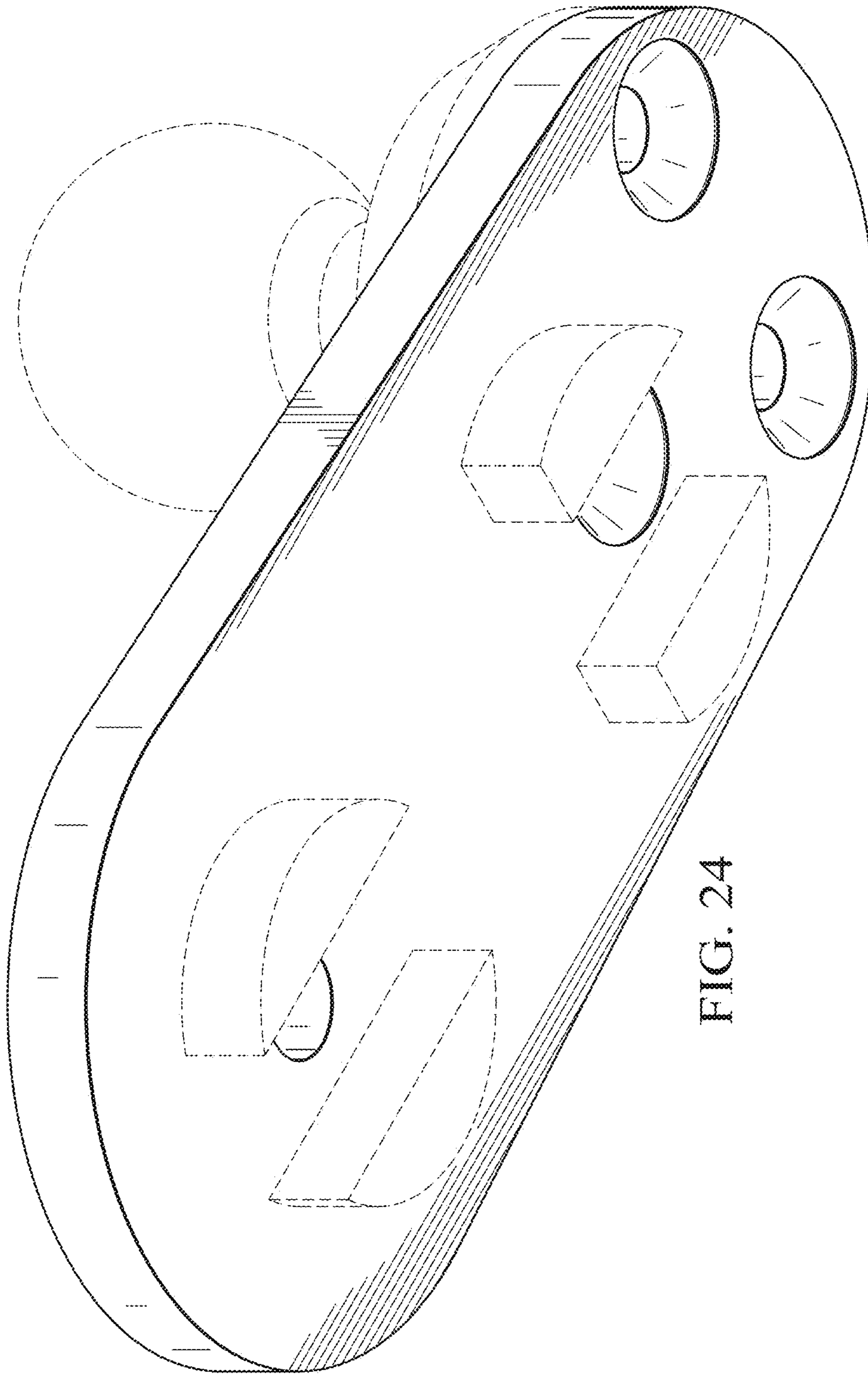


FIG. 24