



US00D876203S

(12) **United States Design Patent** (10) **Patent No.:** **US D876,203 S**  
**Riner** (45) **Date of Patent:** **\*\* Feb. 25, 2020**

(54) **MOUNTING BRACKET**

(71) Applicant: **Group Dekko, Inc.**, Garrett, IN (US)

(72) Inventor: **Raymond H. Riner**, Fort Wayne, IN (US)

(73) Assignee: **Group Dekko, Inc.**, Garrett, IN (US)

(\*\*) Term: **15 Years**

(21) Appl. No.: **29/663,391**

(22) Filed: **Sep. 14, 2018**

(51) **LOC (12) Cl.** ..... **08-05**

(52) **U.S. Cl.**  
USPC ..... **D8/354**

(58) **Field of Classification Search**

USPC ..... D21/484, 485, 486, 487, 488, 489, 490,  
D21/491, 492, 493, 501, 386, 389, 404,  
D21/468, 470, 471, 578-583, 621, 622;  
D25/38.1, 40, 122, 126, 133, 135;  
D15/199; D11/152, 153, 154, 143, 144,  
D11/47, 65.5; D19/77, 78, 79, 80, 81,  
D19/82, 83, 84, 85, 86, 107; D6/623,  
D6/624, 625; D27/125, 130; D8/354  
CPC .. E04B 1/38; E04B 5/326; E04F 11/18; E04F  
2201/0115; E04H 17/1421; E04H 17/20;  
E04H 17/00; F16M 11/24; A63H 33/08;  
Y10T 156/1062; B25J 9/044

See application file for complete search history.

(56) **References Cited**

U.S. PATENT DOCUMENTS

5,267,714 A \* 12/1993 Nelson, II ..... B60K 15/067  
24/DIG. 53  
D685,253 S \* 7/2013 Hiebert ..... D8/349  
D752,417 S \* 3/2016 Witting ..... D8/354

\* cited by examiner

*Primary Examiner* — Randall H Gholson

(74) *Attorney, Agent, or Firm* — Taylor IP, P.C.

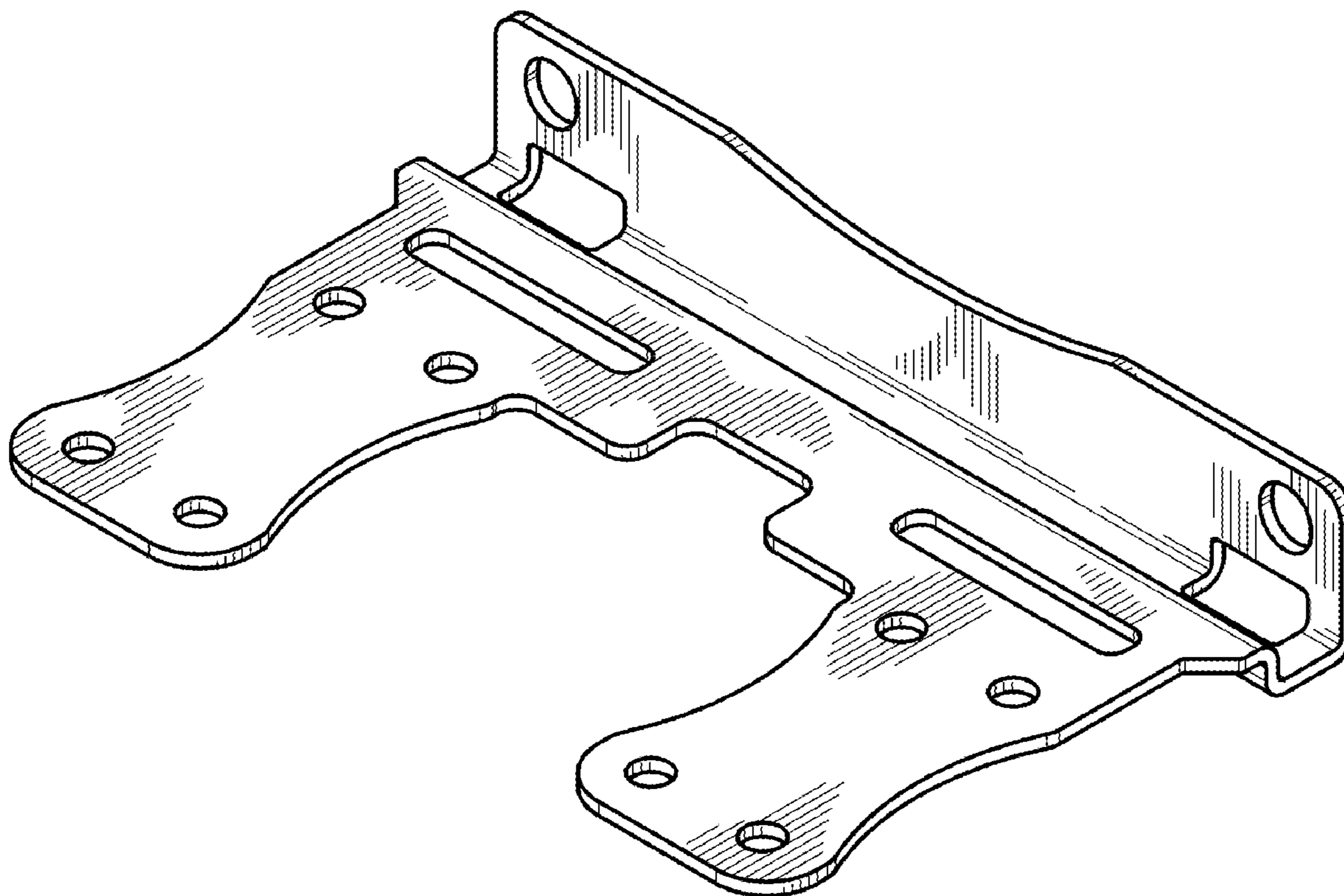
(57) **CLAIM**

The ornamental design for a mounting bracket, as shown and described.

**DESCRIPTION**

FIG. 1 is a perspective view of a mounting bracket showing my new design;  
FIG. 2 is a top view thereof;  
FIG. 3 is a side view thereof;  
FIG. 4 is an opposite side view thereof;  
FIG. 5 is an end view thereof, the opposite end view being substantially identical;  
FIG. 6 is a bottom view thereof; and,  
FIG. 7 is a perspective view of another embodiment of my new design.

**1 Claim, 3 Drawing Sheets**



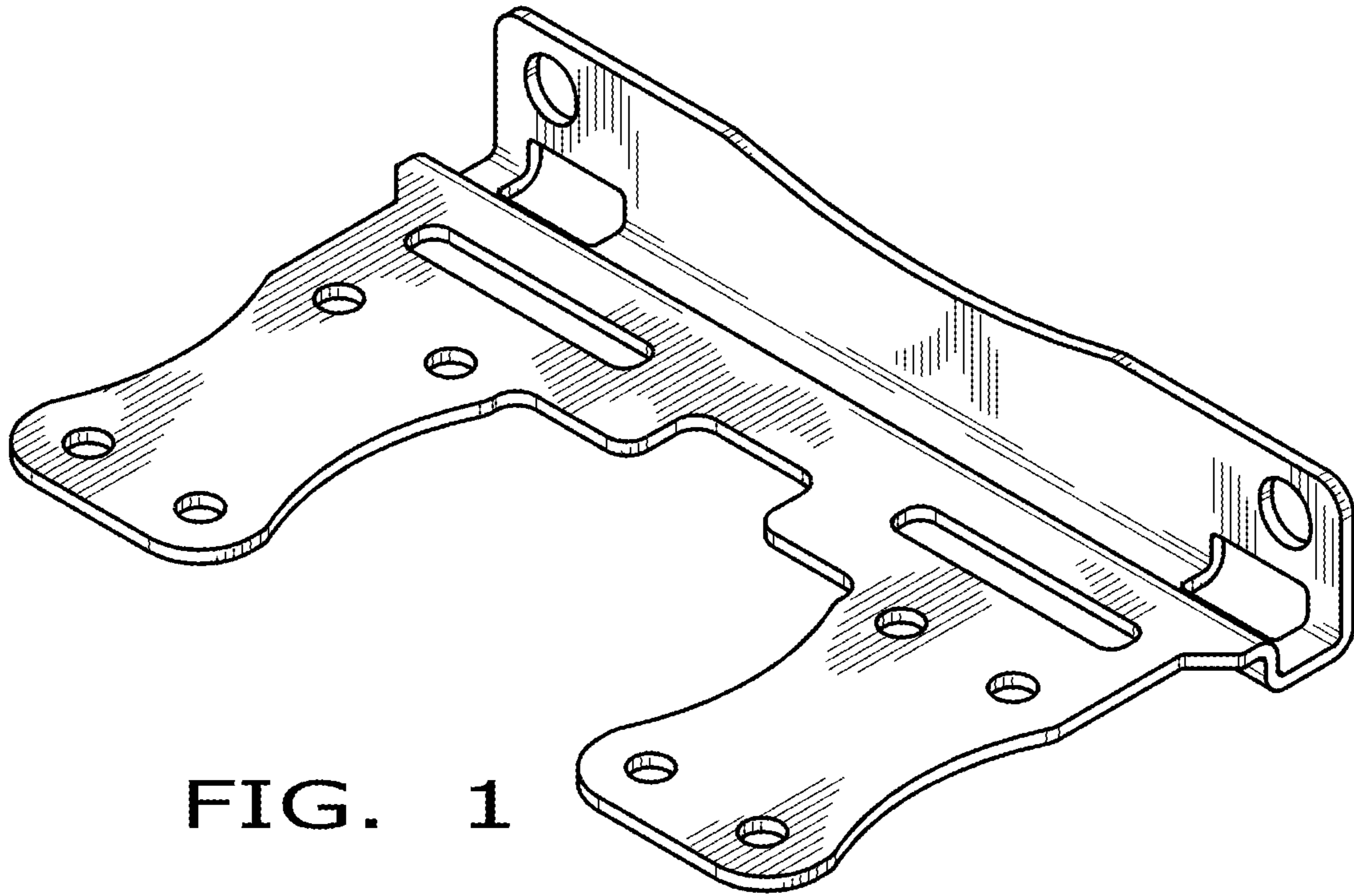


FIG. 1

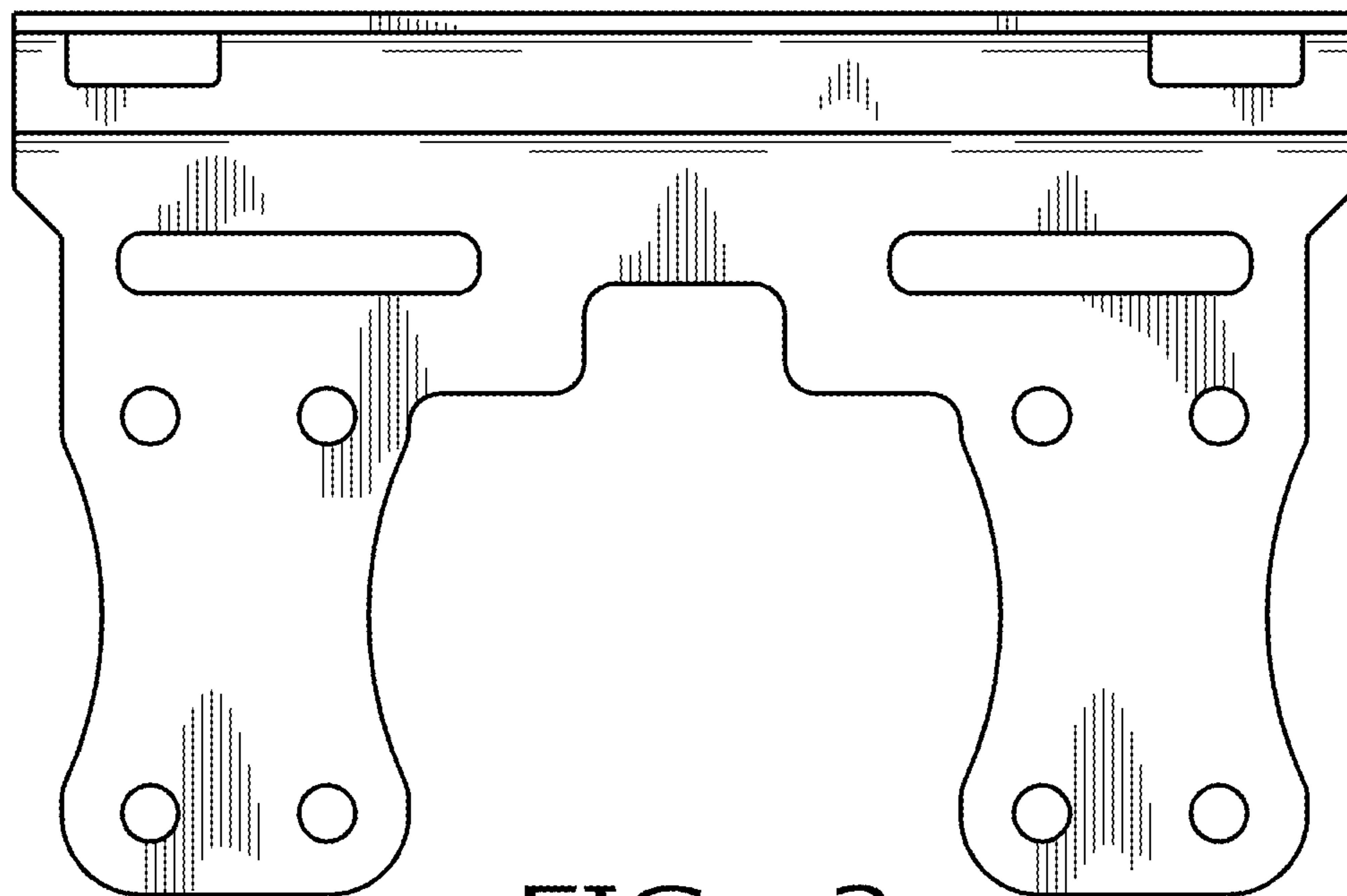


FIG. 2

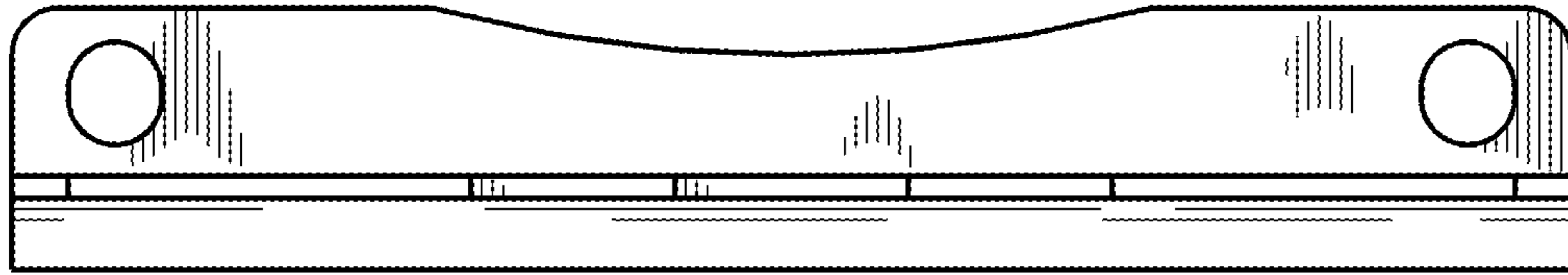


FIG. 3

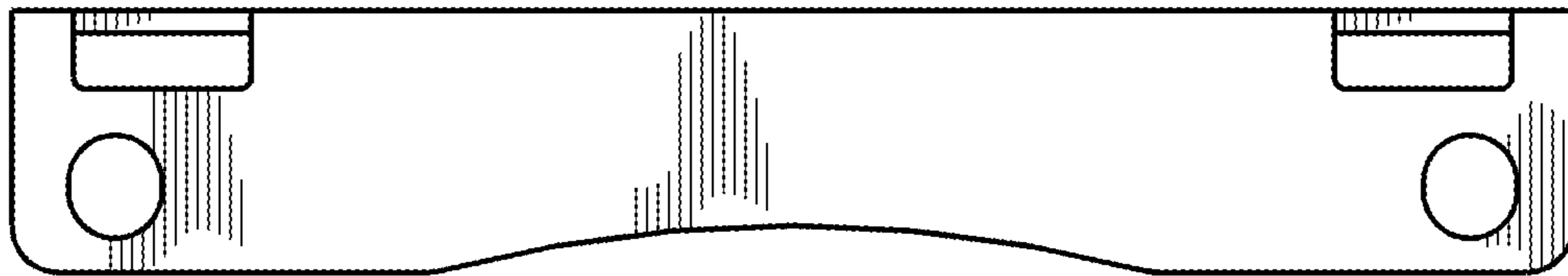


FIG. 4

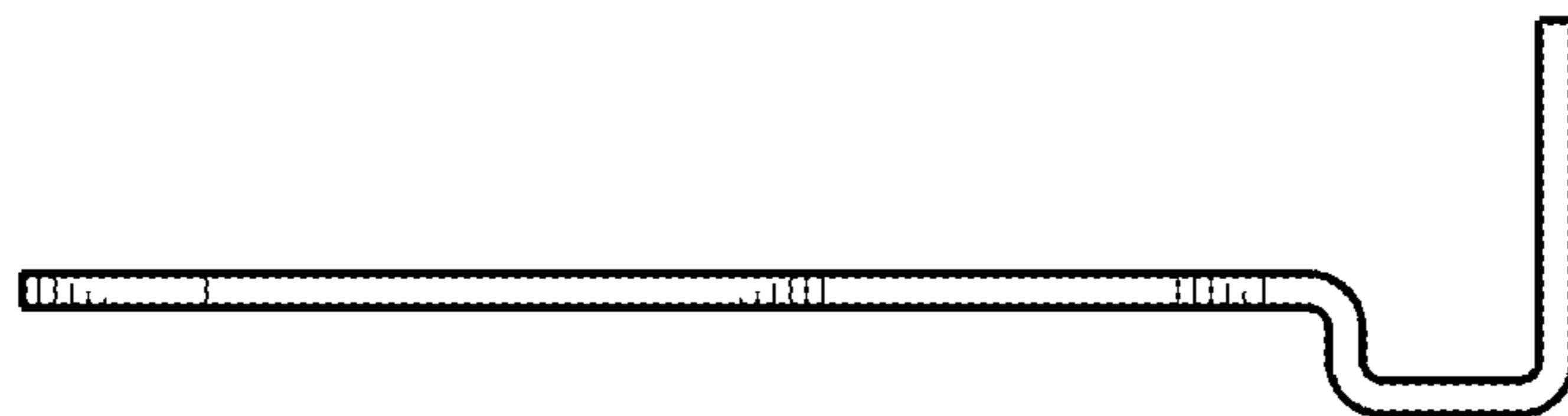


FIG. 5

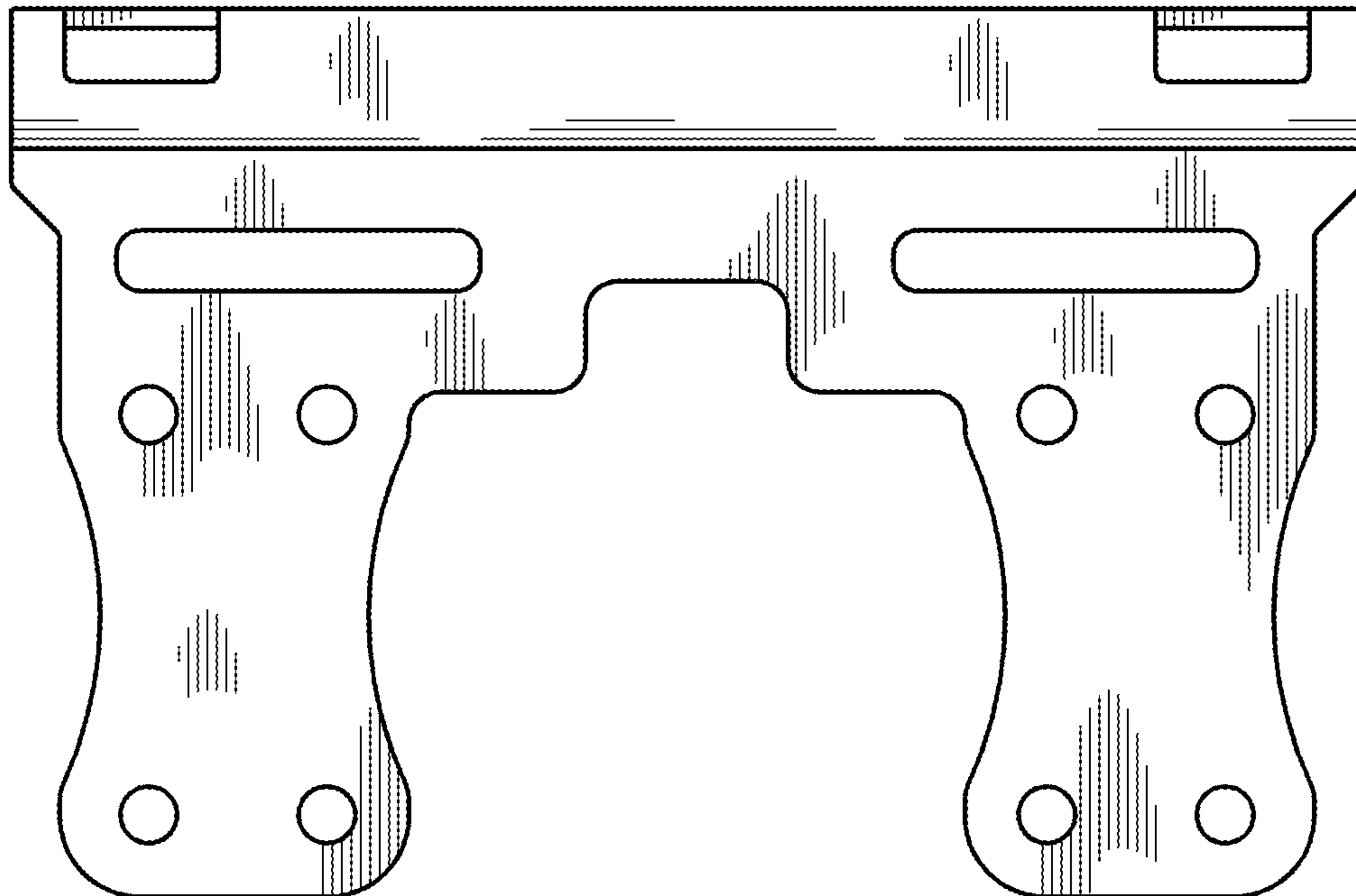


FIG. 6

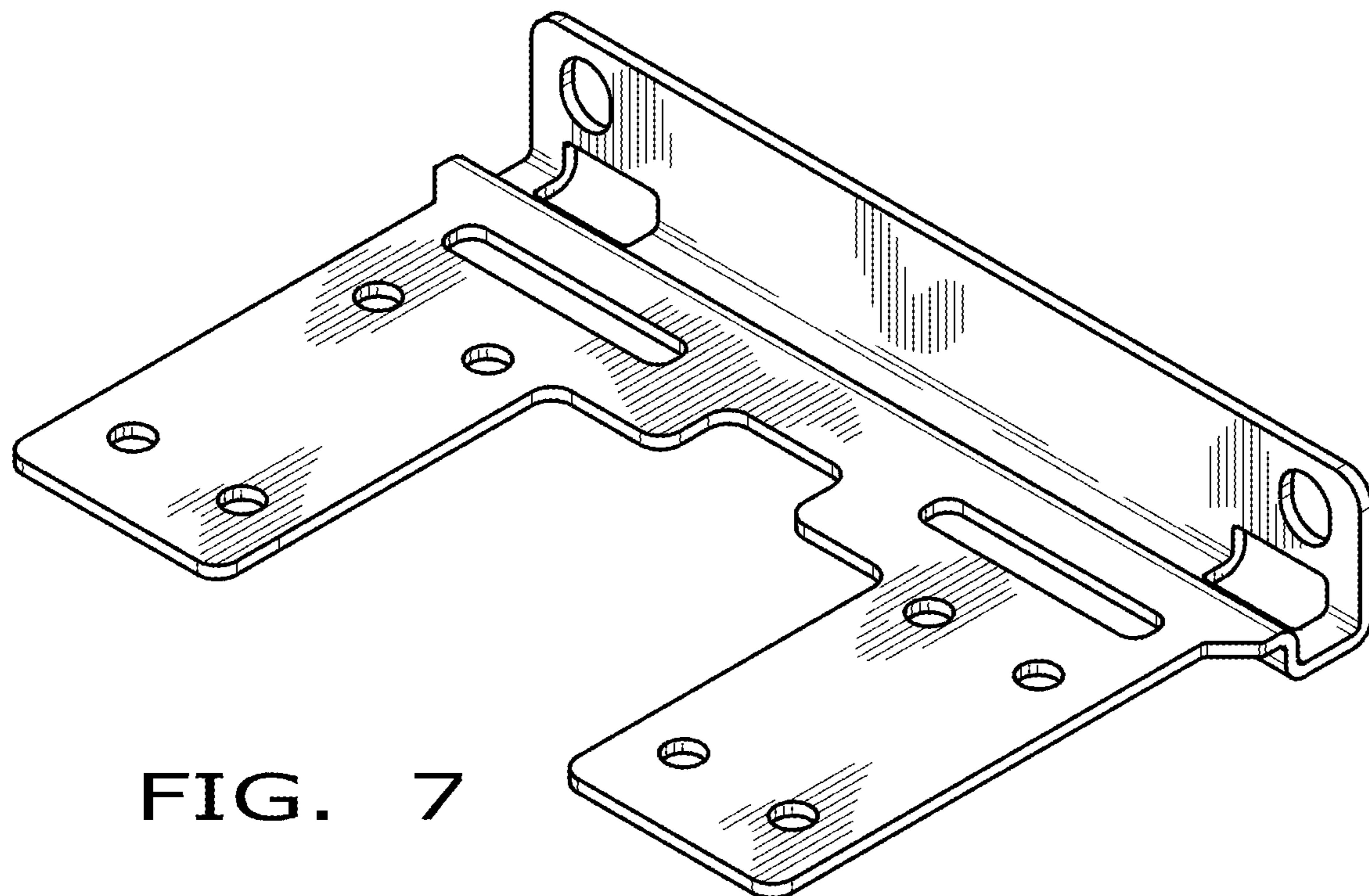


FIG. 7