



US00D876202S

(12) **United States Design Patent**
Lin

(10) **Patent No.:** **US D876,202 S**
(45) **Date of Patent:** **** Feb. 25, 2020**

- (54) **SCREEN FILM APPLICATOR**
- (71) Applicant: **Chia-Ching Lin**, Taipei (TW)
- (72) Inventor: **Chia-Ching Lin**, Taipei (TW)
- (**) Term: **15 Years**
- (21) Appl. No.: **29/614,022**
- (22) Filed: **Aug. 15, 2017**
- (51) **LOC (12) Cl.** **08-05**
- (52) **U.S. Cl.**
USPC **D8/354**
- (58) **Field of Classification Search**
USPC D8/70, 70.1, 354; D6/540, 553, 567;
156/574, 579, 538
CPC B65D 65/40; H04M 1/0202; H04B 1/38;
B29C 2063/0008
See application file for complete search history.

- 10,155,370 B2 * 12/2018 Wadsworth B29C 63/0047
- 10,449,752 B2 * 10/2019 Lin B32B 37/003
- 10,507,962 B2 * 12/2019 Lin B65D 65/40
- 2018/0281373 A1 * 10/2018 Lin B29C 63/02
- 2018/0282038 A1 * 10/2018 Lin G02B 1/14

* cited by examiner

Primary Examiner — Keli L Hill
Assistant Examiner — Harold E Blackwell, II
(74) *Attorney, Agent, or Firm* — Li & Cai Intellectual Property (USA) Office

(56) **References Cited**

U.S. PATENT DOCUMENTS

- D334,878 S * 4/1993 Shioiri D8/70.1
- 7,930,991 B2 * 4/2011 Northrup B05C 11/041
- 9,010,396 B2 * 4/2015 Patel B29C 63/0004
- 9,033,019 B2 * 5/2015 Patel B29C 63/0004
- D797,546 S * 9/2017 Saideh D8/354
- 10,021,818 B2 * 7/2018 Patel B29C 63/02

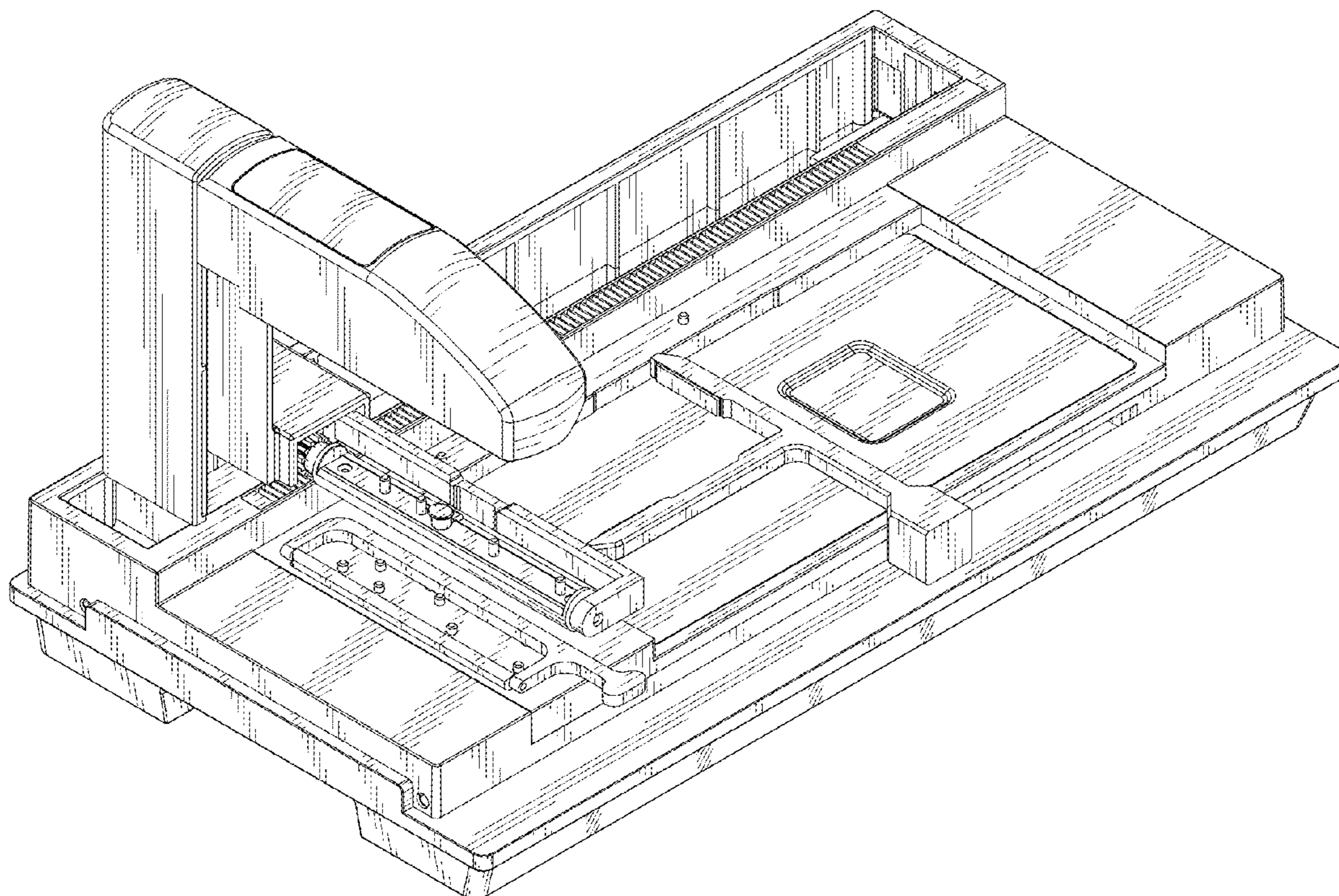
(57) **CLAIM**

The ornamental design for a “screen film applicator”, as shown and described.

DESCRIPTION

FIG. 1 is a top perspective view of a screen film applicator showing our new design;
FIG. 2 is a front elevational view thereof;
FIG. 3 is a rear elevational view thereof;
FIG. 4 is a left elevational side view thereof;
FIG. 5 is a right elevational side view thereof;
FIG. 6 is a top plan view thereof;
FIG. 7 is a bottom plan view thereof; and,
FIG. 8 is a bottom perspective view thereof.

1 Claim, 7 Drawing Sheets



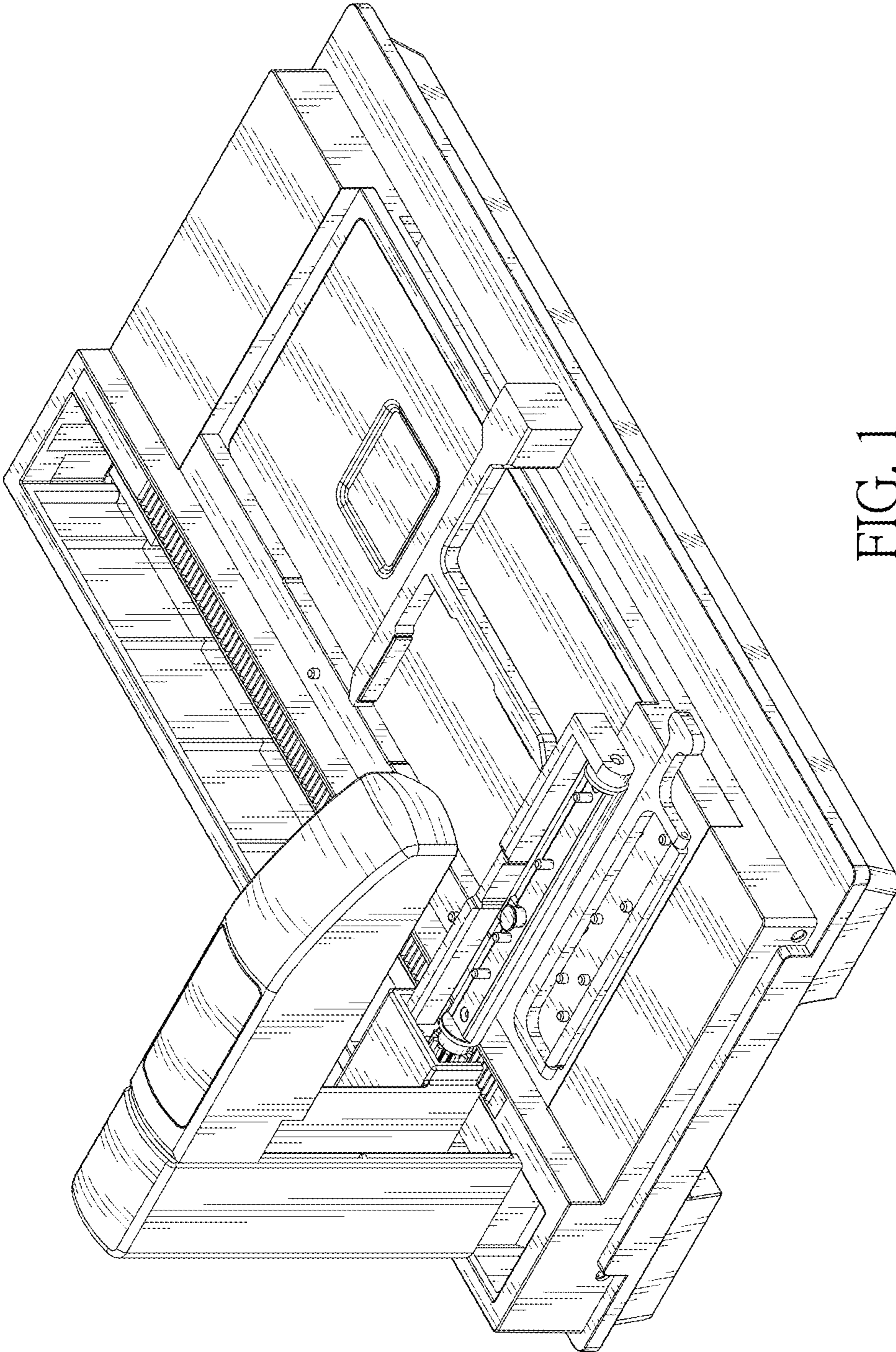


FIG. 1

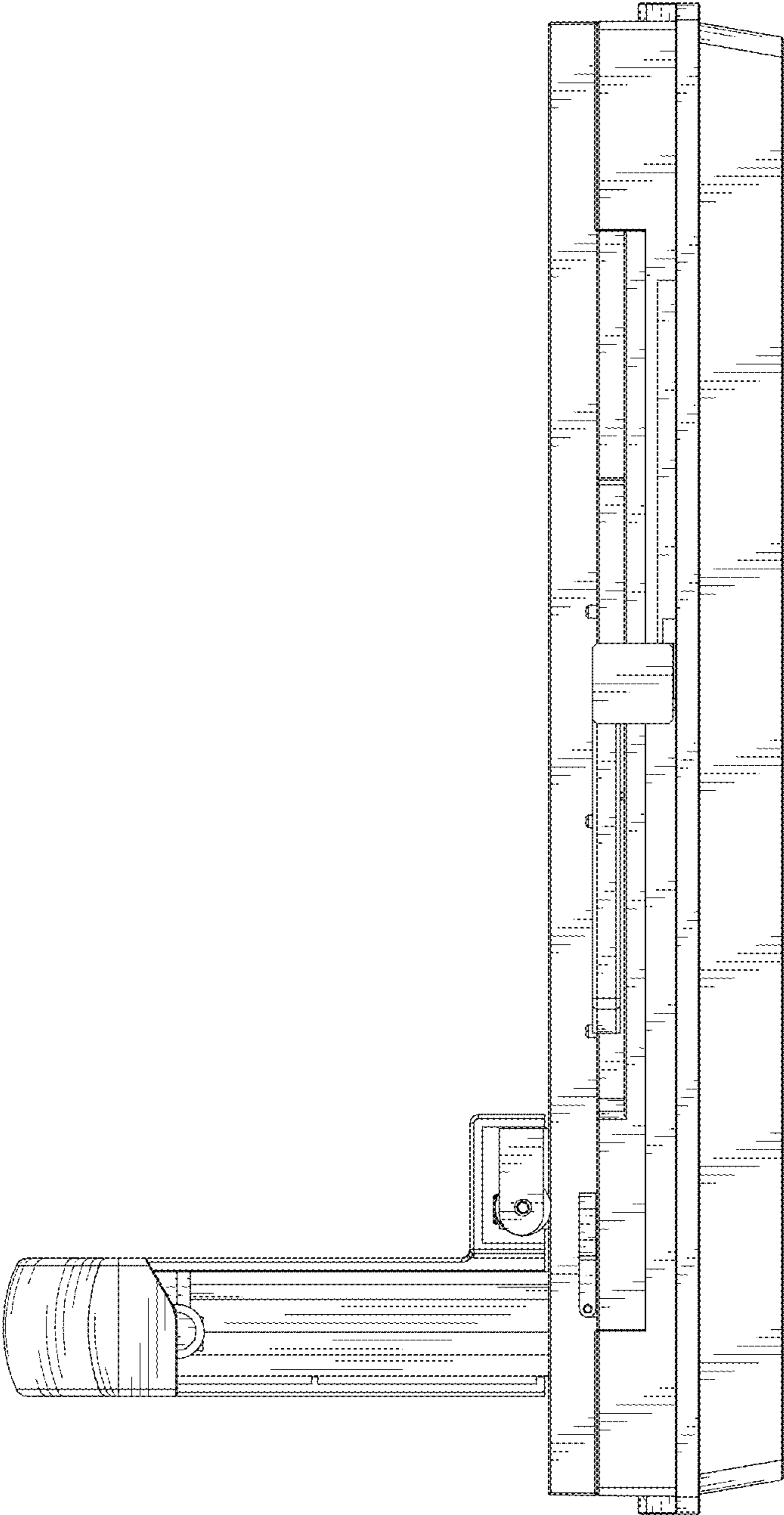


FIG. 2

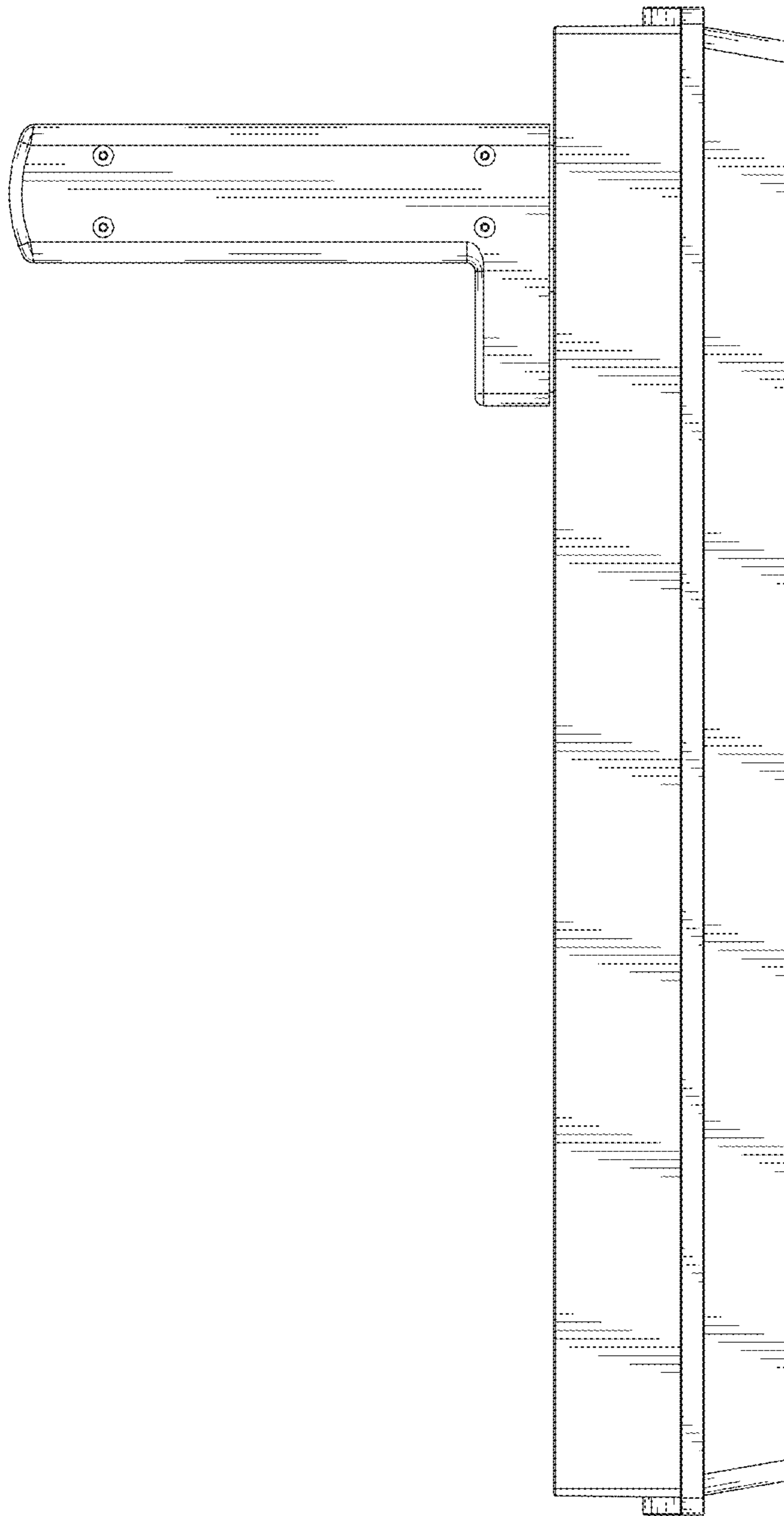


FIG. 3

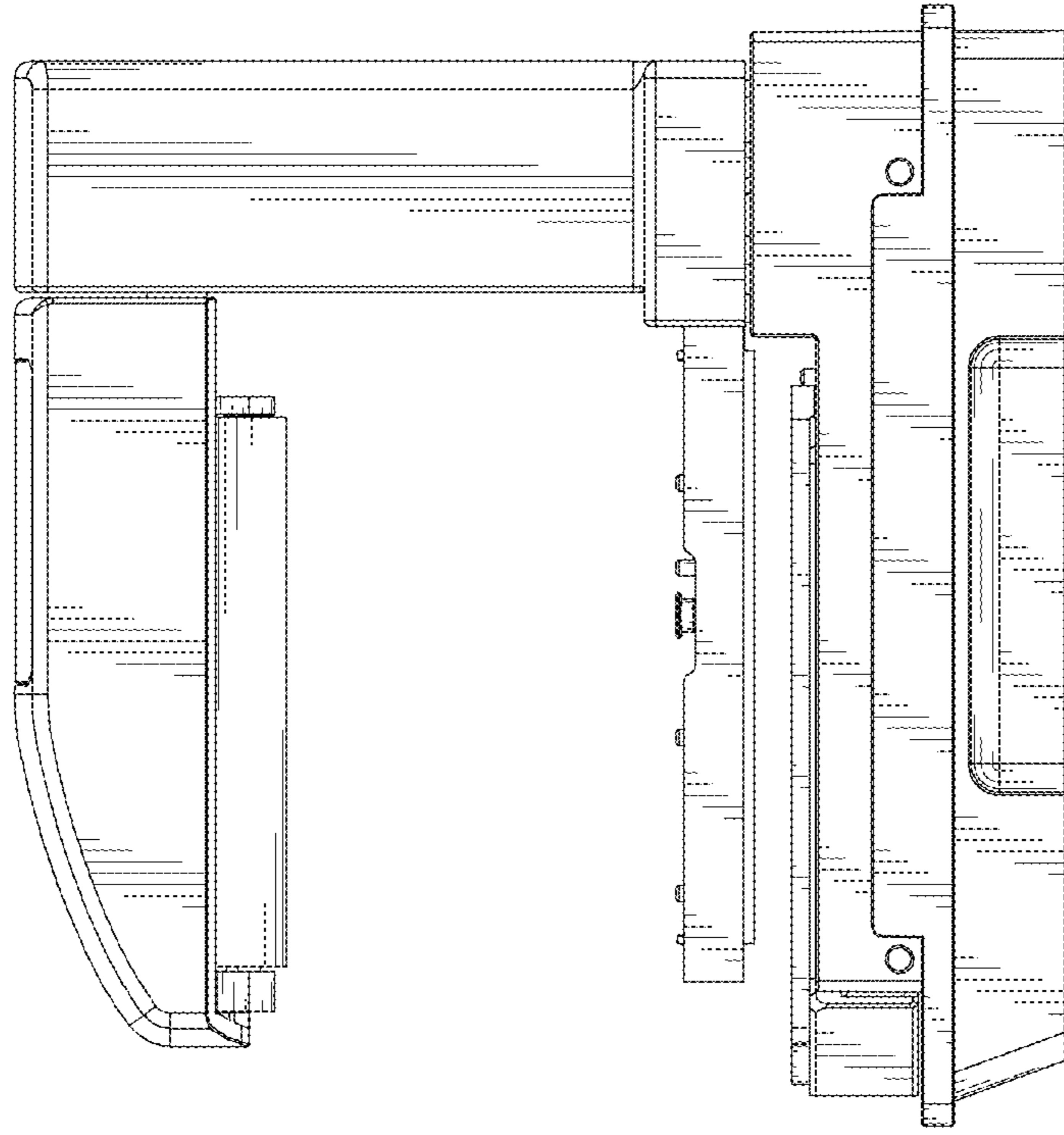


FIG. 5

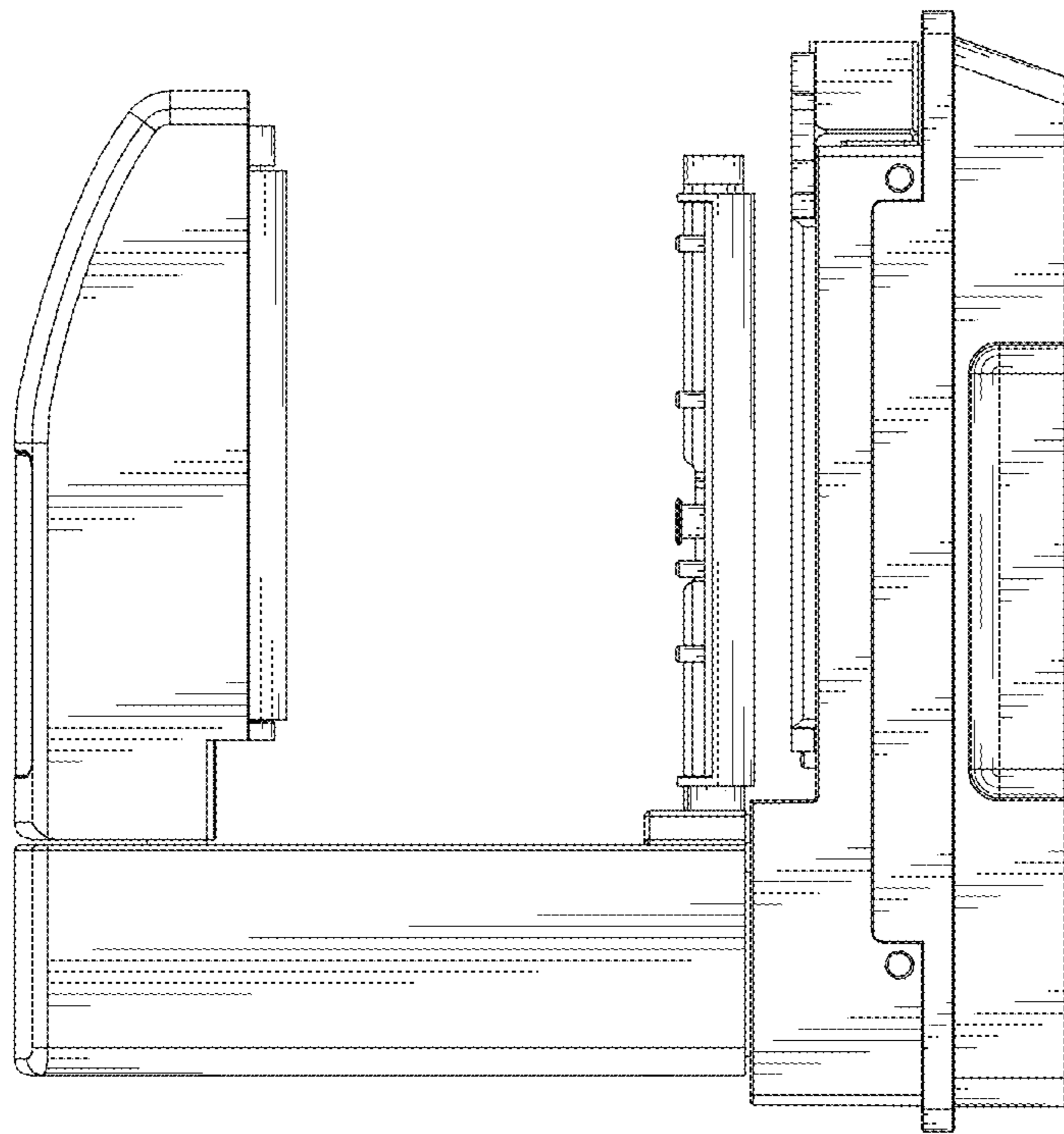


FIG. 4

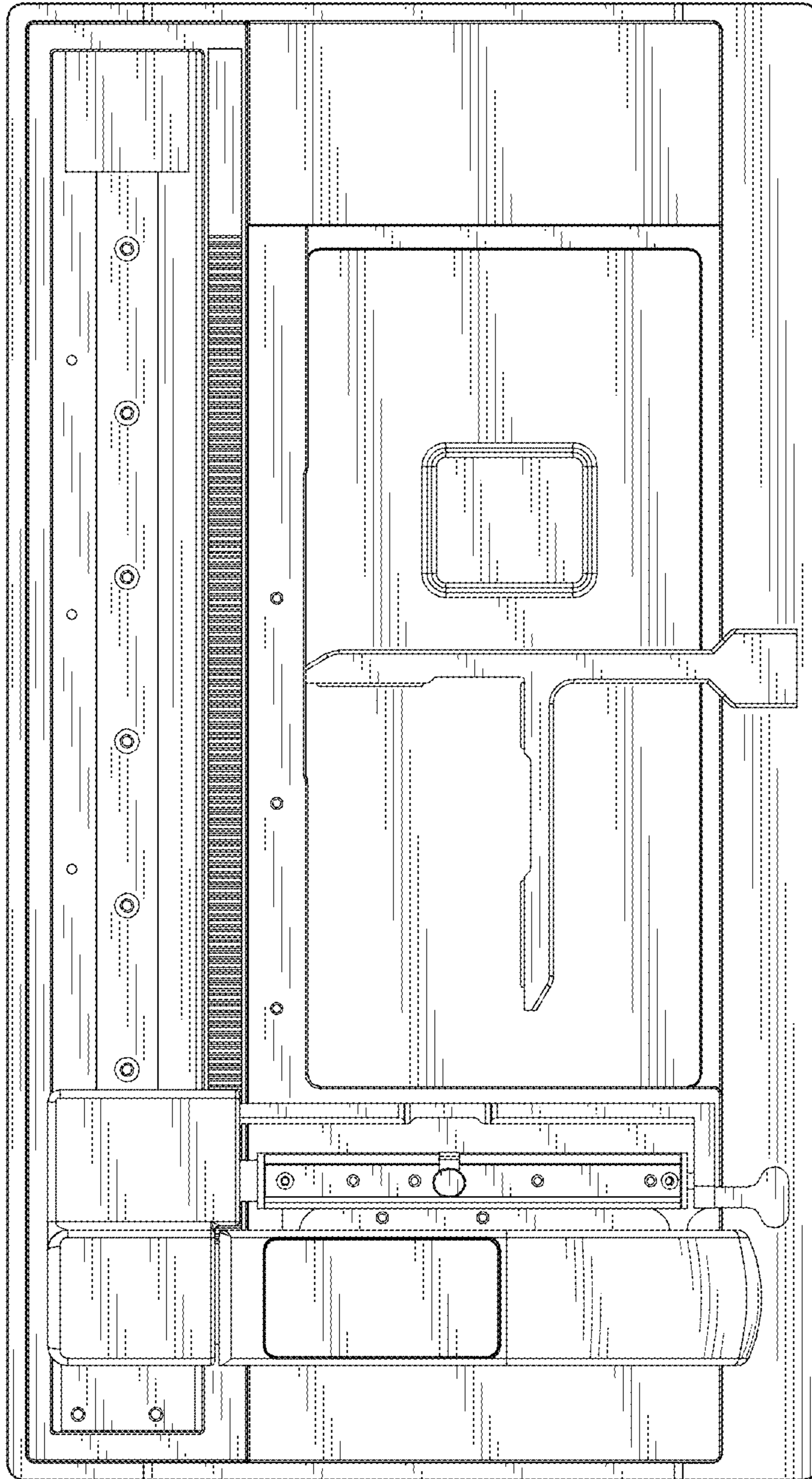


FIG. 6

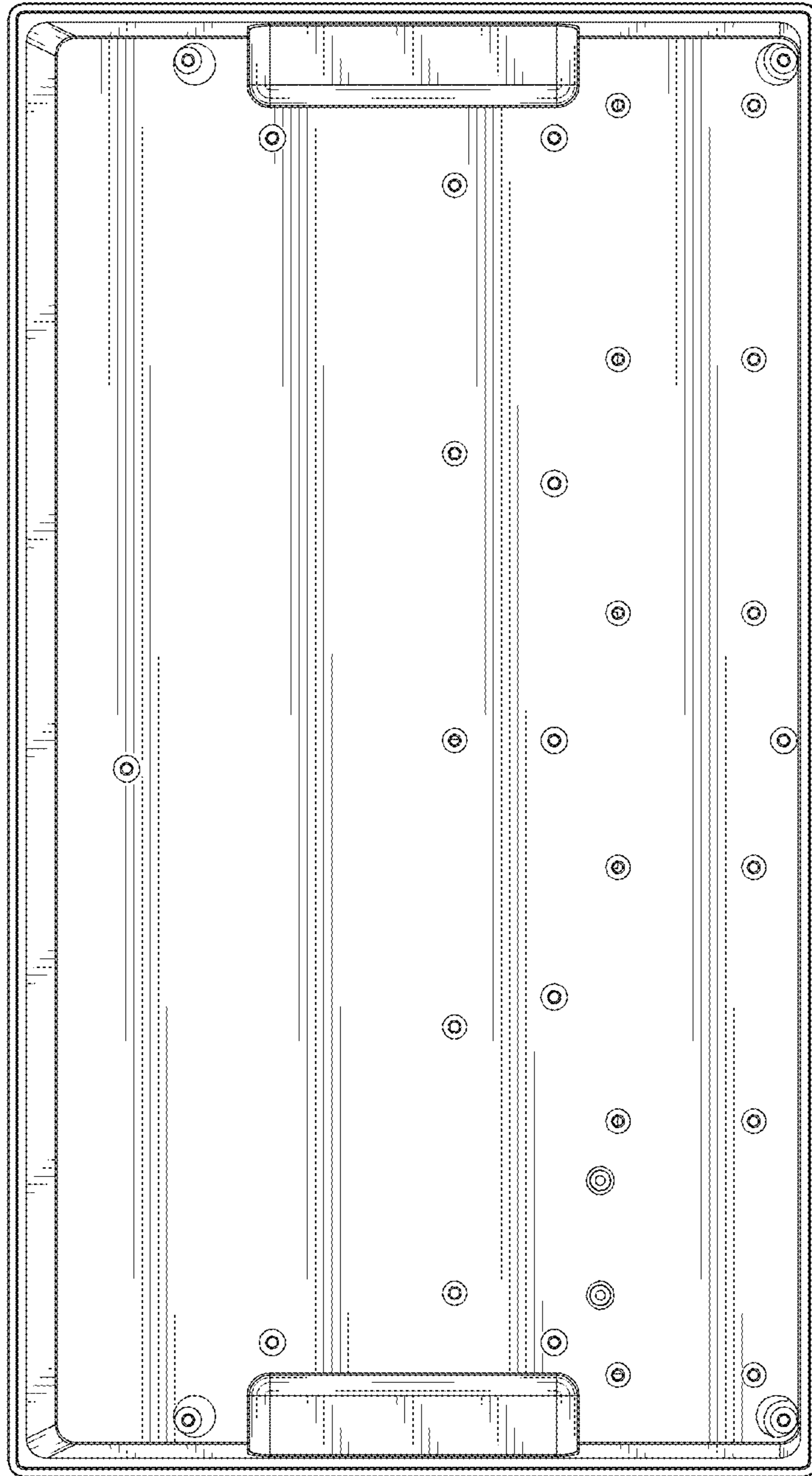


FIG. 7

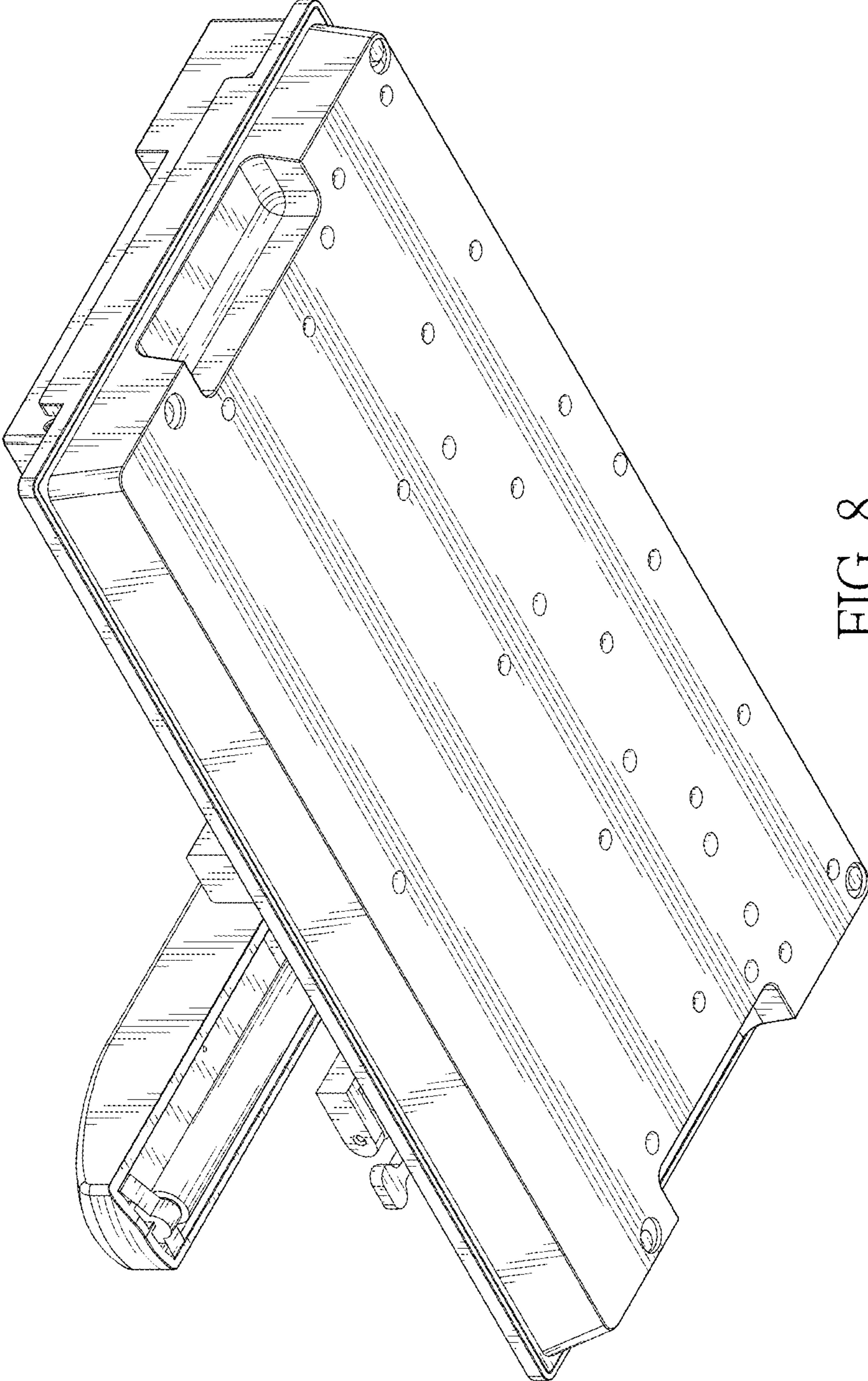


FIG. 8