



US00D876201S

(12) **United States Design Patent**
Wassdahl

(10) **Patent No.:** **US D876,201 S**

(45) **Date of Patent:** **** Feb. 25, 2020**

(54) **FASTENING DEVICE**

(71) Applicant: **MAFI AB**, Mora (SE)

(72) Inventor: **Jonas Wassdahl**, Mora (SE)

(73) Assignee: **MAFI AB**, Mora (SE)

(**) Term: **15 Years**

(21) Appl. No.: **29/618,453**

(22) Filed: **Sep. 21, 2017**

(30) **Foreign Application Priority Data**

Jun. 21, 2017 (EM) 004060457

(51) **LOC (12) Cl.** **26-05**

(52) **U.S. Cl.**
USPC **D8/349**

(58) **Field of Classification Search**
USPC D6/672, 684, 680, 683.1, 703.5; D8/354,
D8/355, 330, 331, 333, 380, 381
CPC F16B 5/00; F16B 5/02; F16B 12/50
See application file for complete search history.

(56) **References Cited**

U.S. PATENT DOCUMENTS

- 2,965,339 A * 12/1960 Denton A47G 1/1613
248/495
- 6,905,101 B1 * 6/2005 Dittmer F16M 11/10
248/125.7
- 7,641,163 B2 * 1/2010 O'Keene F16M 11/10
248/284.1
- 7,918,426 B2 * 4/2011 Short F16M 11/105
248/225.11

- D655,597 S * 3/2012 Matzek D25/69
- D756,684 S * 5/2016 Carr D6/552
- D759,464 S * 6/2016 West D8/349
- D803,664 S * 11/2017 West D8/349
- D836,425 S * 12/2018 McCown D8/380
- D848,813 S * 5/2019 Kelleghan D8/105
- D849,507 S * 5/2019 DeDios-Shirley D8/349
- 2007/0041150 A1 * 2/2007 Short F16M 11/10
361/679.22
- 2008/0296467 A1 * 12/2008 Havelock F16M 13/02
248/544

* cited by examiner

Primary Examiner — Mark A Goodwin

Assistant Examiner — Benjamin M Weeks

(74) *Attorney, Agent, or Firm* — Nixon & Vanderhye P.C.

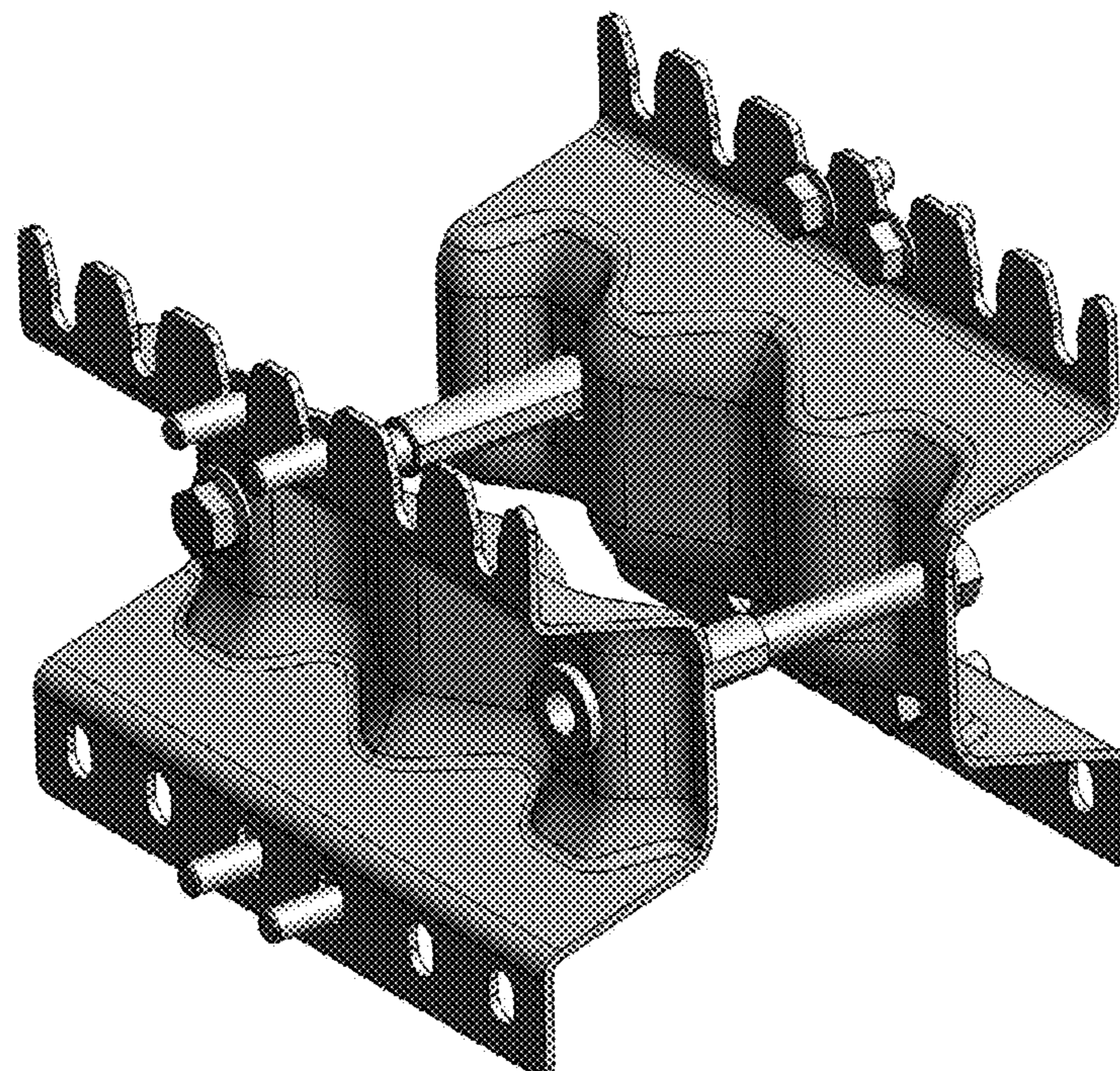
(57) **CLAIM**

The ornamental design for a fastening device, as shown and described.

DESCRIPTION

FIG. 1 is a first perspective view of a fastening device; FIG. 2 is a second perspective view thereof; FIG. 3 is a third perspective view thereof; FIG. 4 is a plan view thereof; FIG. 5 is a side view thereof, the opposite side being identical; FIG. 6 is a bottom view thereof; and, FIG. 7 is an end view thereof, the opposite end being identical.

1 Claim, 7 Drawing Sheets



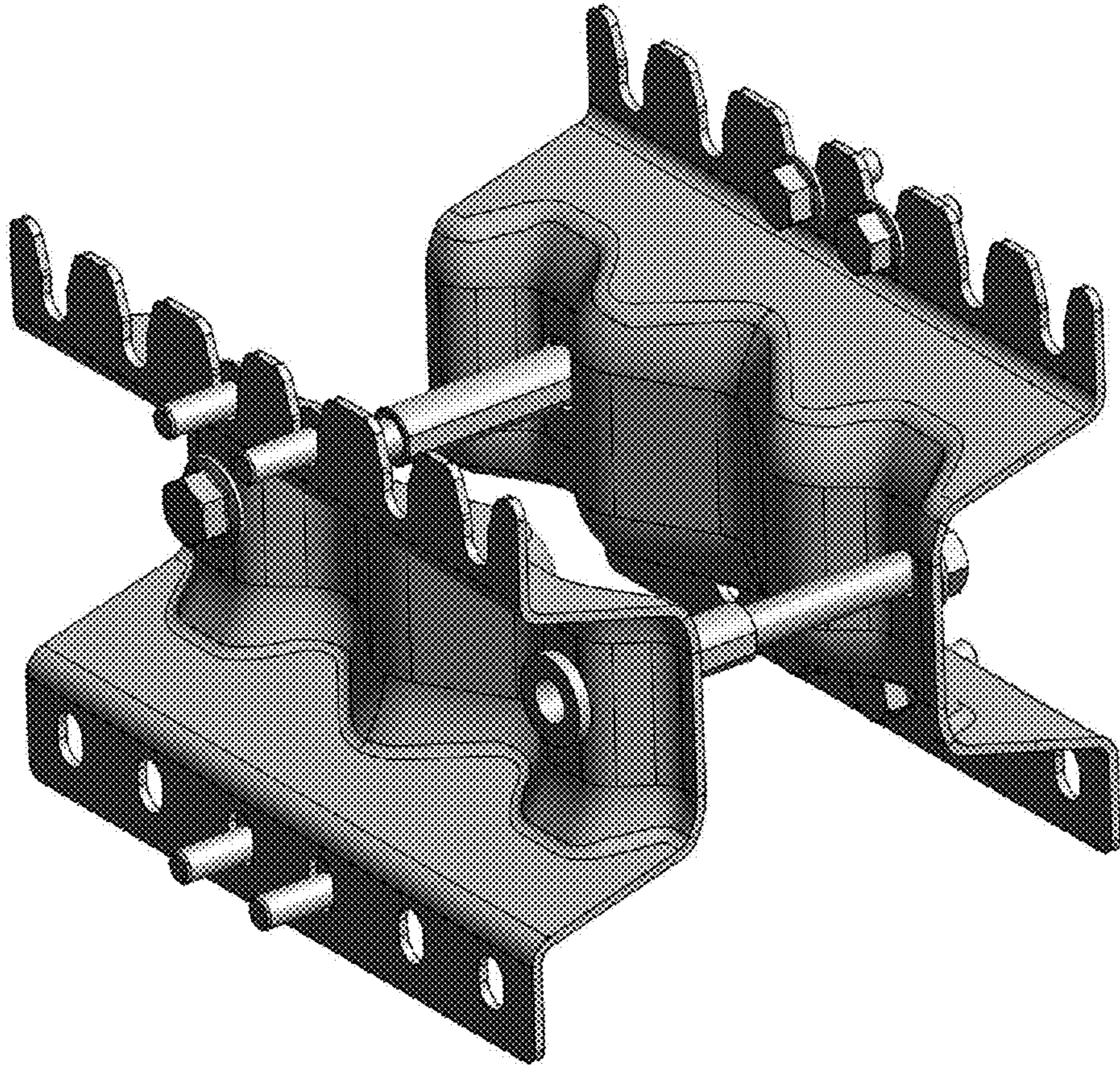


Fig. 1

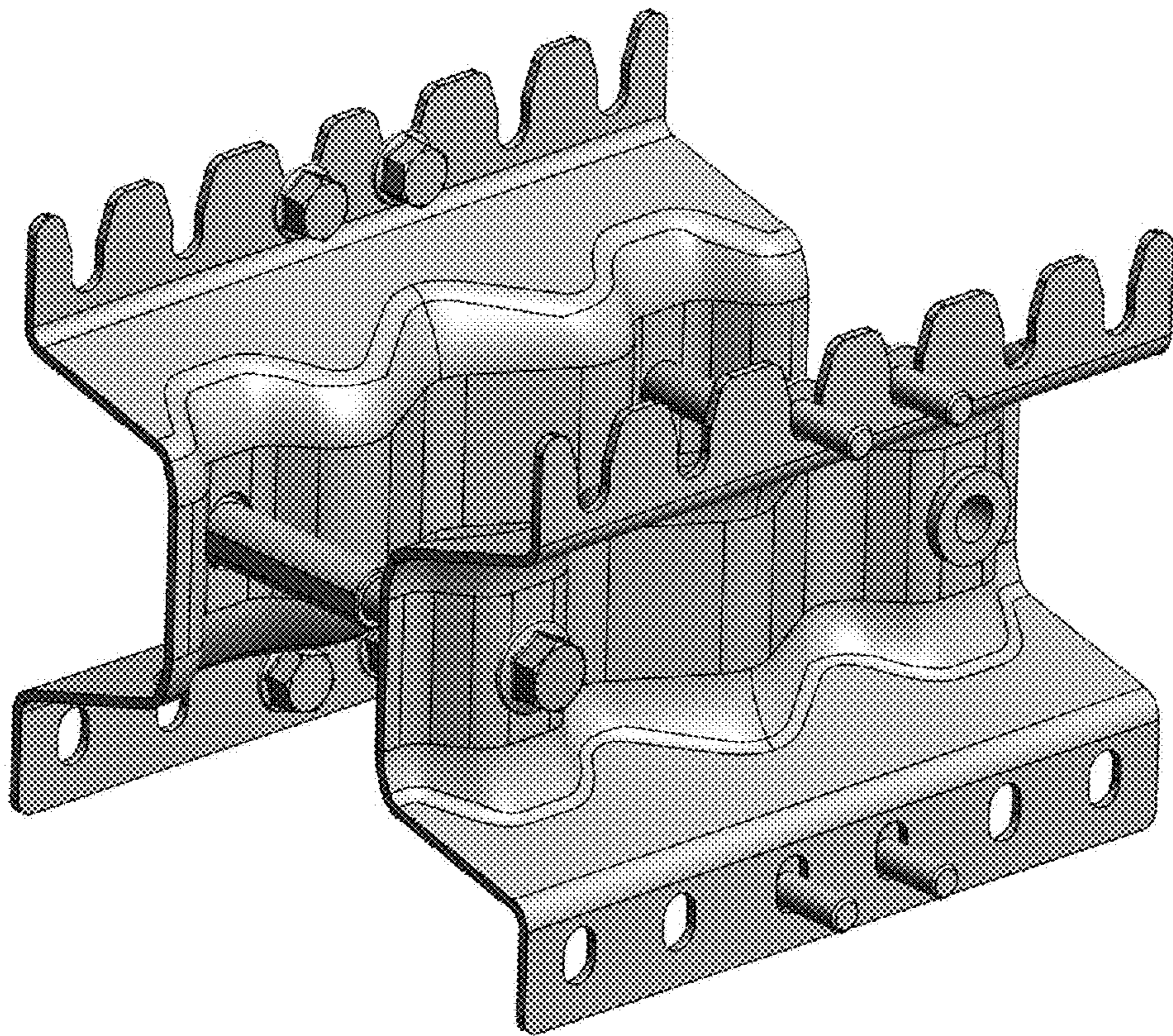


Fig. 2

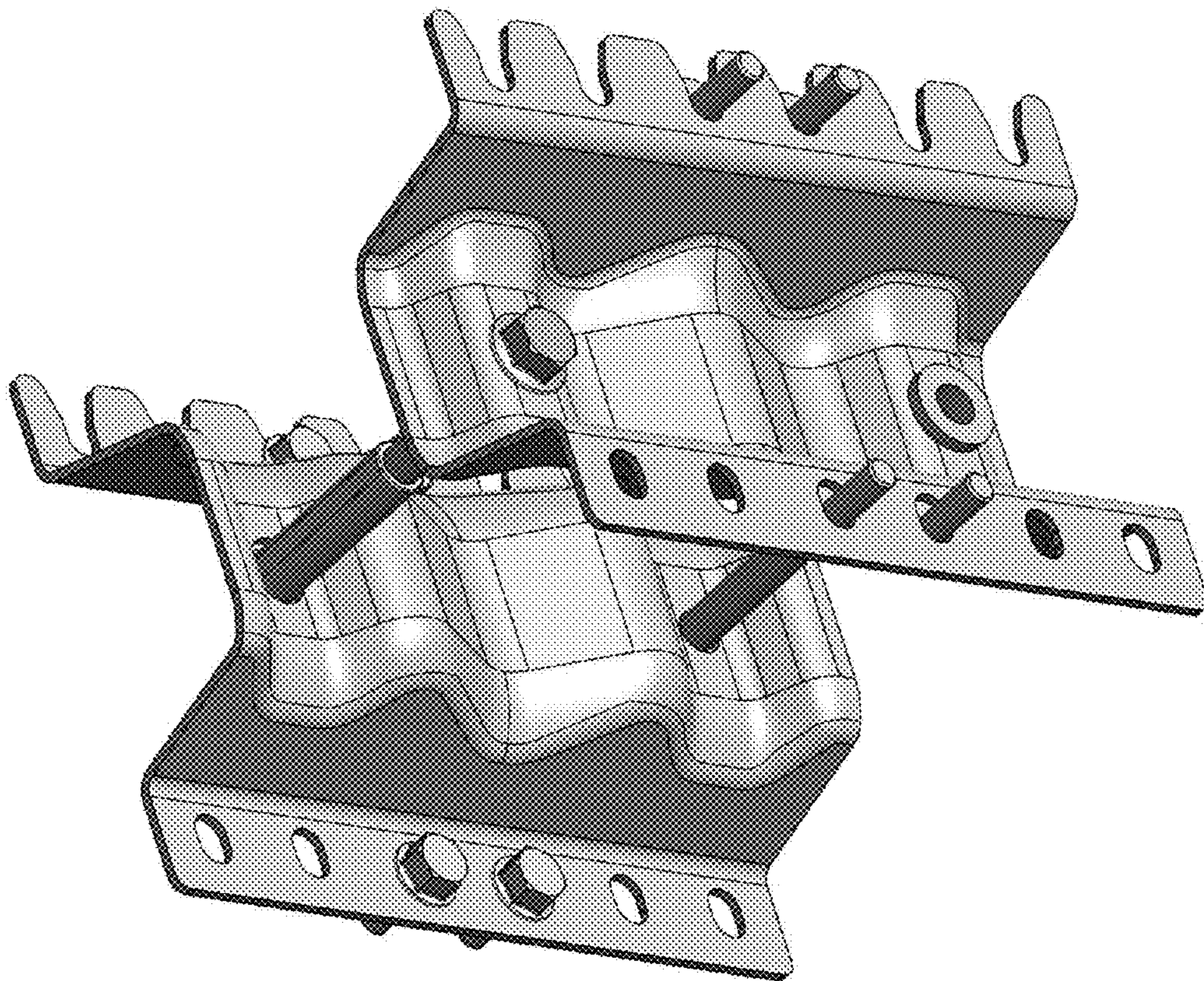


Fig. 3

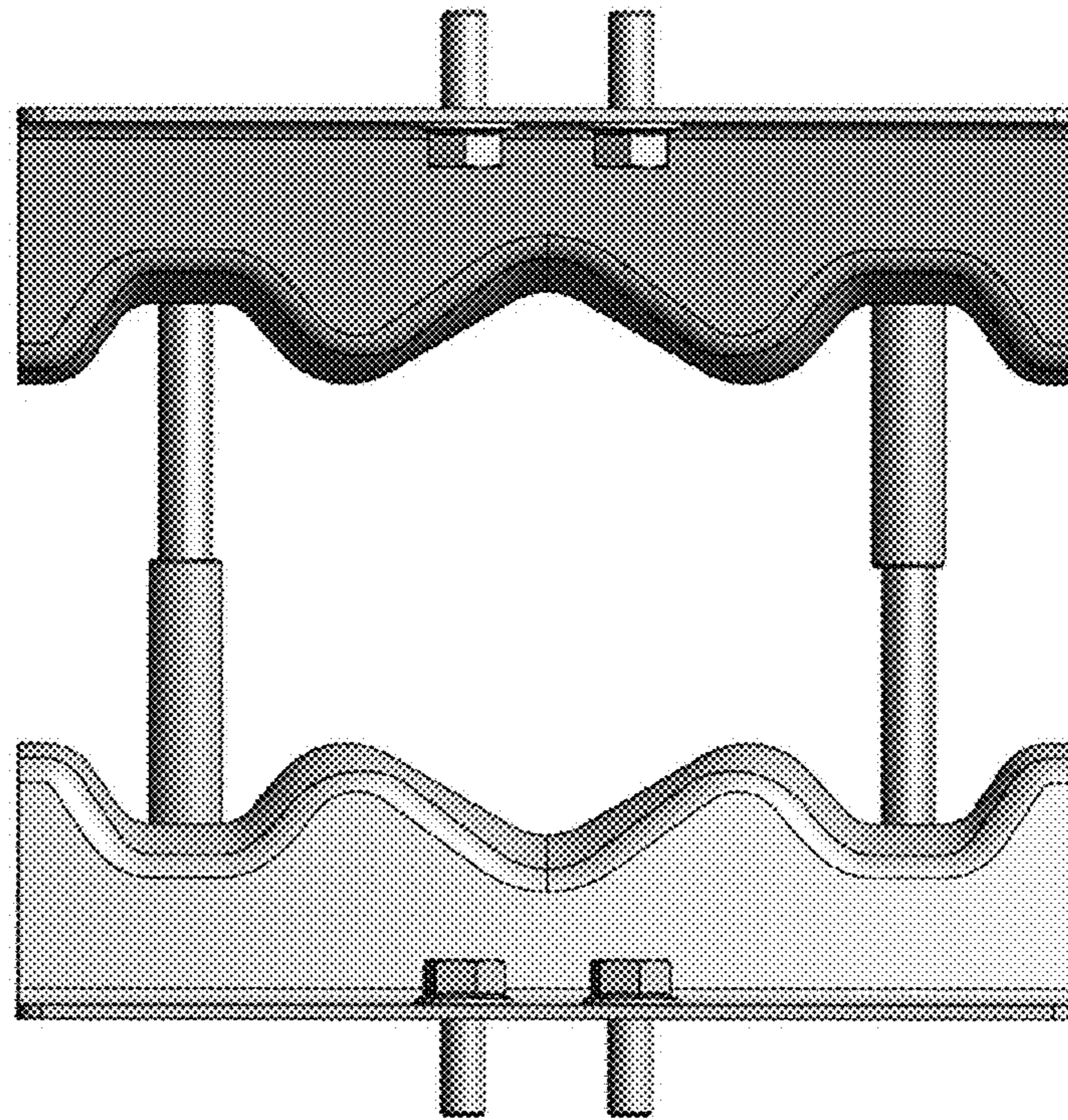


Fig. 4

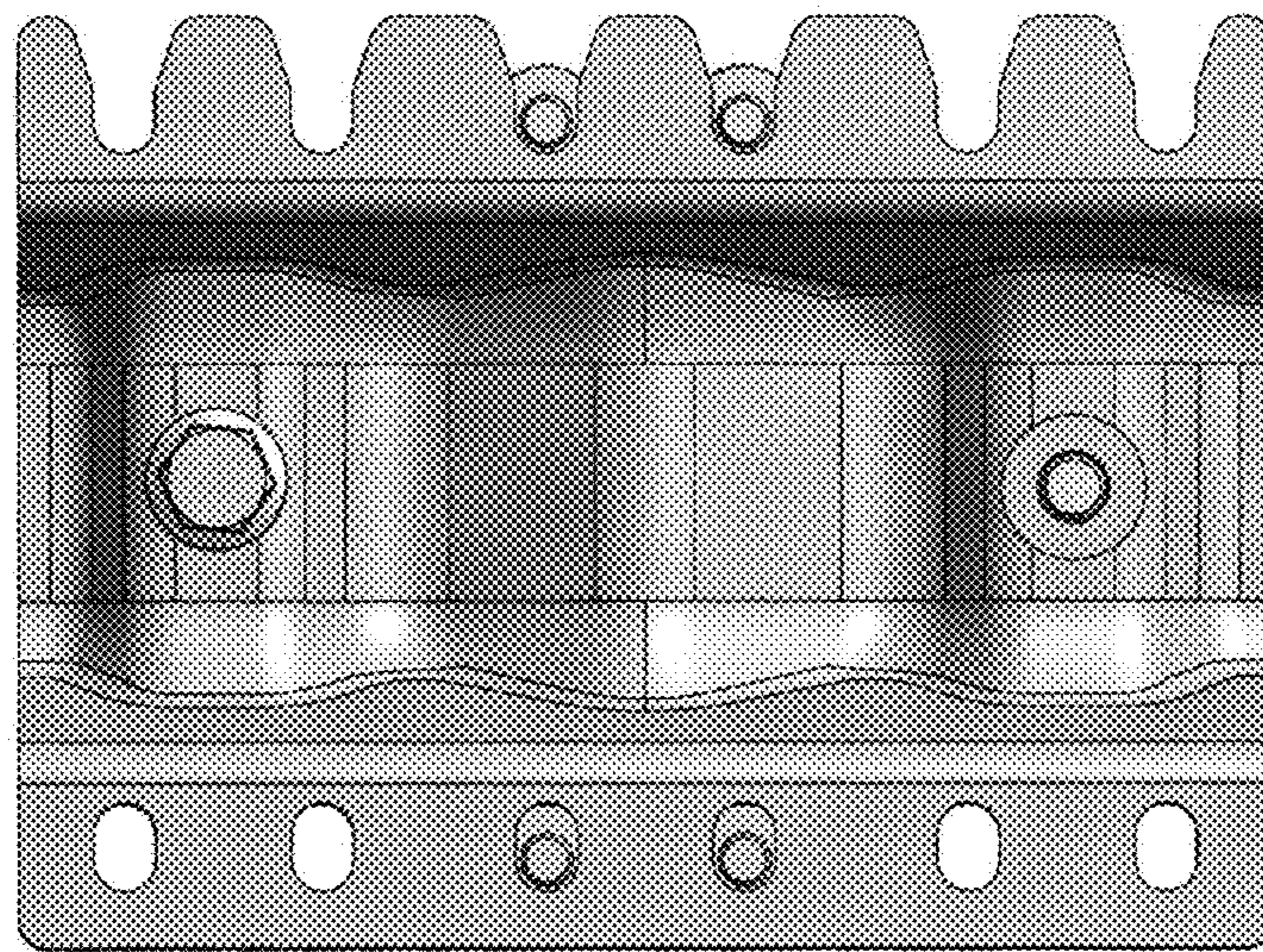


Fig. 5

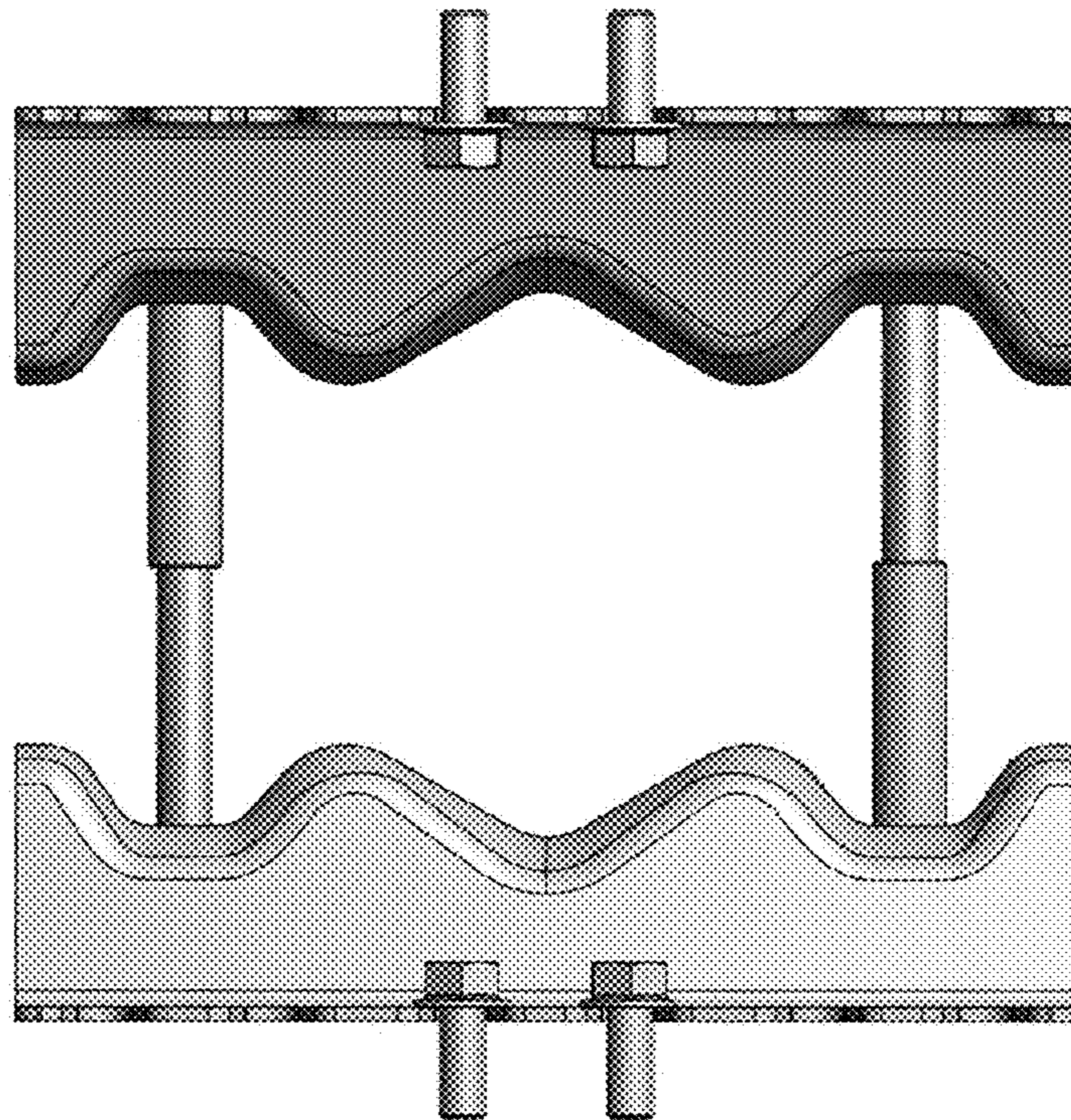


Fig. 6

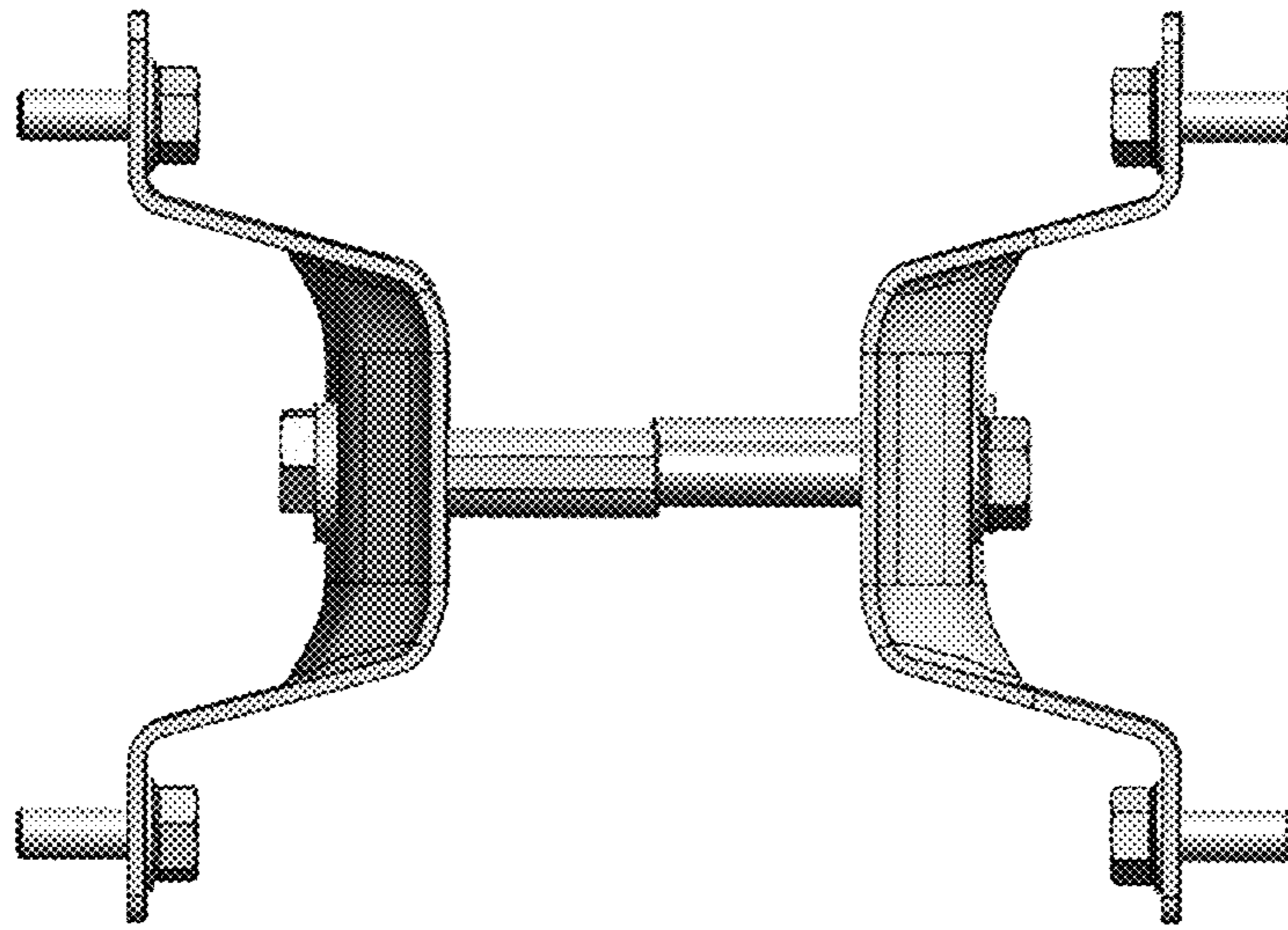


Fig. 7