



US00D876200S

(12) **United States Design Patent**  
**Wong et al.**

(10) **Patent No.:** **US D876,200 S**

(45) **Date of Patent:** **\*\* Feb. 25, 2020**

(54) **DOOR LOCK**

(71) Applicant: **ASSA ABLOY Residential Group, Inc.**, New Haven, CT (US)

(72) Inventors: **Wai P. Wong**, Orange, CT (US); **Kevin M. Kraus**, Monument, CO (US); **Andrew DaSilva**, Naugatuck, CT (US)

(73) Assignee: **ASSA ABLOY Residential Group, Inc.**, New Haven, CT (US)

(\*\*) Term: **15 Years**

(21) Appl. No.: **29/639,979**

(22) Filed: **Mar. 9, 2018**

(51) **LOC (12) Cl.** ..... **08-07**

(52) **U.S. Cl.**  
USPC ..... **D8/330**

(58) **Field of Classification Search**  
USPC ..... D8/301, 302, 330, 333, 334, 335, 336, D8/337, 338, 341, 342, 348, 350, 352, D8/339, 400, 499; 70/14, 20, 78, 90, 92, 70/102, 141, 237, 262, 263, 266, 278.1, 70/279.1, 416, 465, 442, 443, 214, 447  
CPC ... E05B 9/00; E05B 9/02; E05B 37/00; E05B 49/00; E05B 47/00; E05B 1/00  
See application file for complete search history.

(56) **References Cited**

**U.S. PATENT DOCUMENTS**

6,733,050 B1 5/2004 Yao  
D512,899 S \* 12/2005 Oskamp ..... D8/331  
D607,303 S \* 1/2010 Kim ..... D8/331  
8,677,792 B2 \* 3/2014 Wheeler ..... E05B 17/0058  
70/218  
D752,946 S \* 4/2016 Shen ..... D8/330  
D753,463 S \* 4/2016 Gokcebay ..... D8/330

D811,852 S \* 3/2018 Xin ..... D8/331  
D817,148 S \* 5/2018 Carpintero ..... D8/331  
D818,795 S 5/2018 Morstatt  
2003/0132829 A1 \* 7/2003 Frolov ..... E05B 47/00  
340/5.7  
2018/0266142 A1 9/2018 Wong  
2018/0320413 A1 \* 11/2018 Wong ..... E05B 53/008

\* cited by examiner

*Primary Examiner* — Ian Simmons

*Assistant Examiner* — Yolanda Robinson

(74) *Attorney, Agent, or Firm* — Wolf, Greenfield & Sacks, P.C.

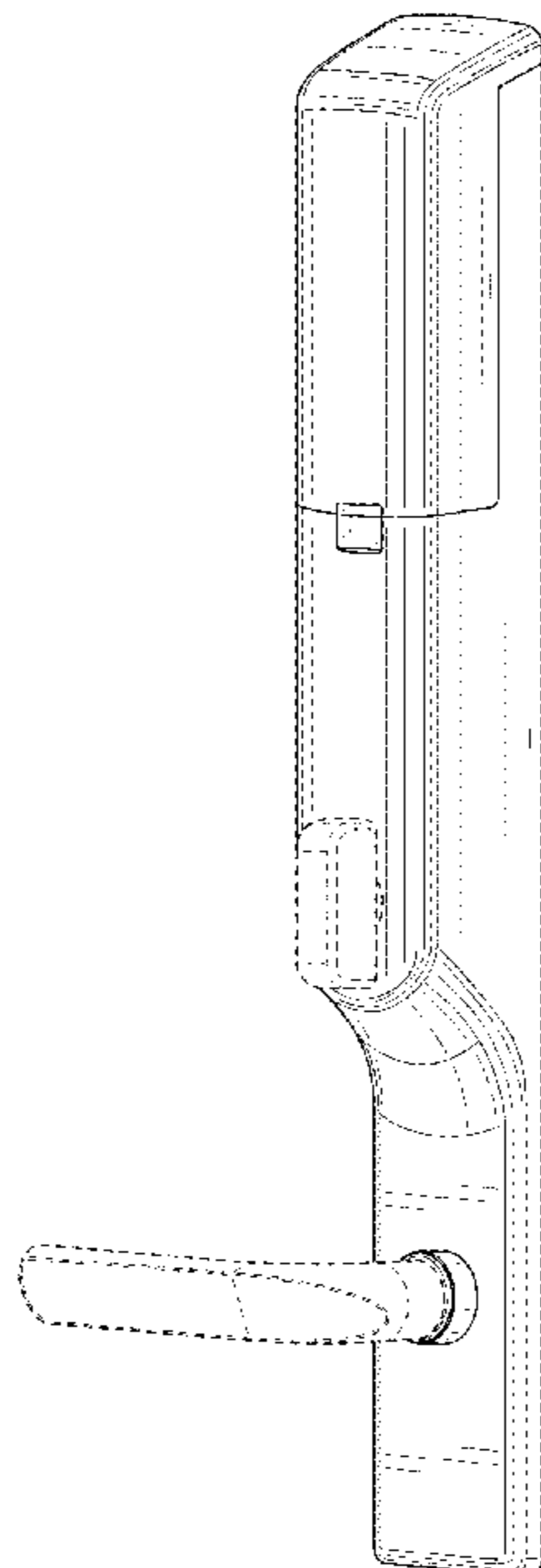
(57) **CLAIM**

The ornamental design for a door lock, as shown and described.

**DESCRIPTION**

FIG. 1 is a top, front, right side perspective view of an embodiment of a door lock;  
FIG. 2 is a top, front, left side perspective view of FIG. 1;  
FIG. 3 is a front elevation view of FIG. 1;  
FIG. 4 is a rear elevation view of FIG. 1;  
FIG. 5 is a left side elevation view of FIG. 1;  
FIG. 6 is a right side elevation view of FIG. 1;  
FIG. 7 is a top plan view of FIG. 1; and,  
FIG. 8 is a bottom plan view of FIG. 1.  
The dash-dash broken lines show portions of the door lock that form no part of the claimed design. The dot-dash broken lines represent boundaries of the claimed design and form no part of the claimed design. Any broken line illustration of environmental structure in the drawing is not part of the design sought to be patented.

**1 Claim, 8 Drawing Sheets**



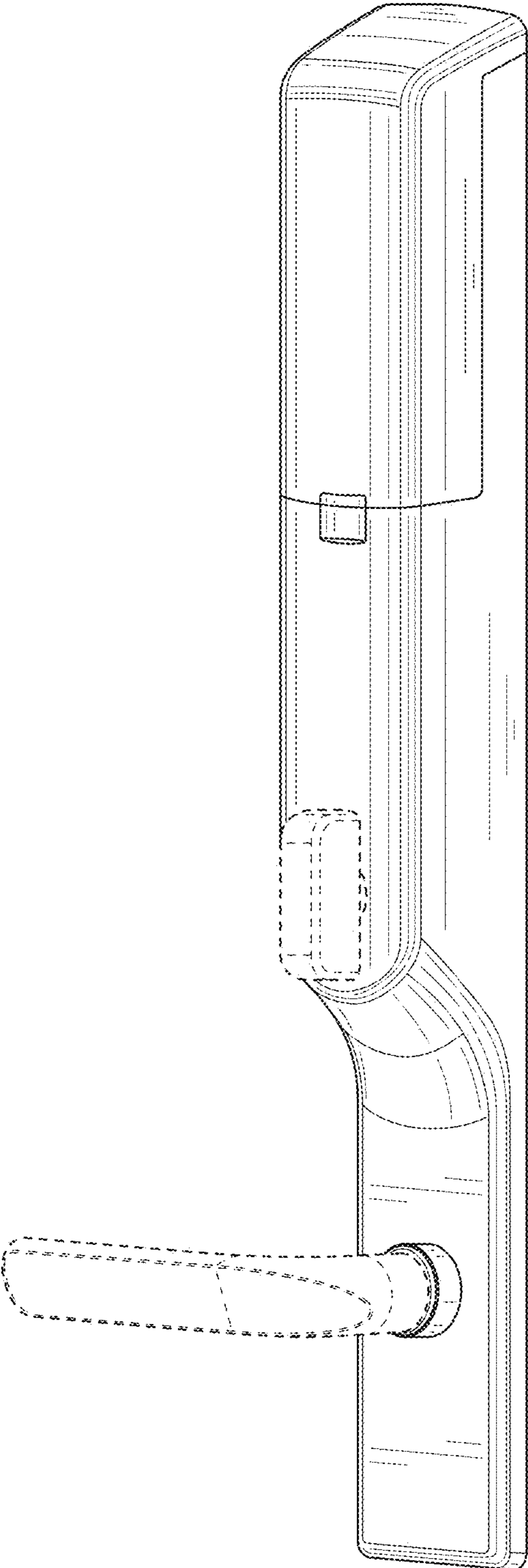


FIG. 1

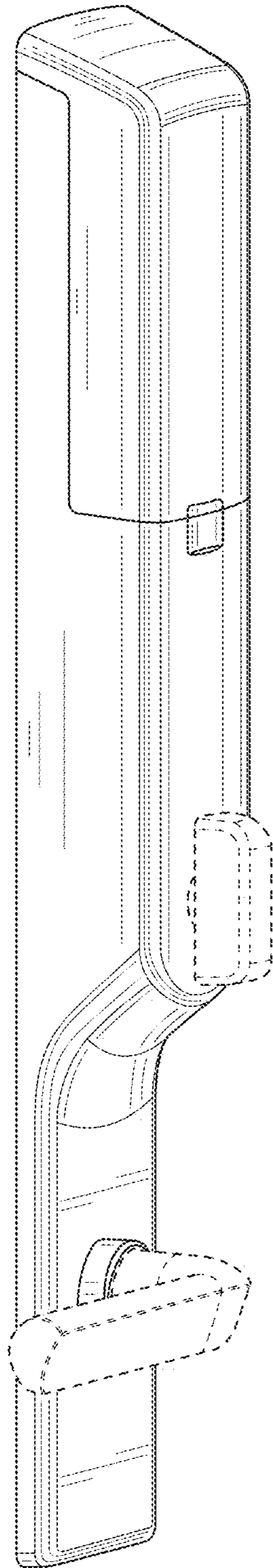


FIG. 2

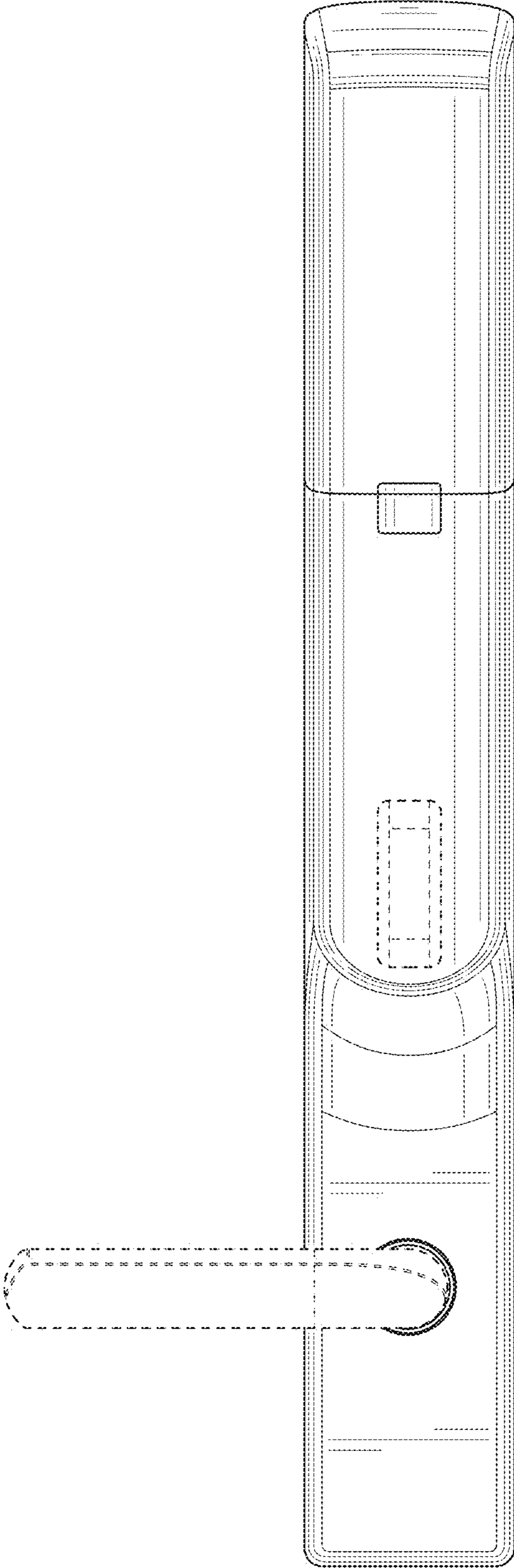


FIG. 3

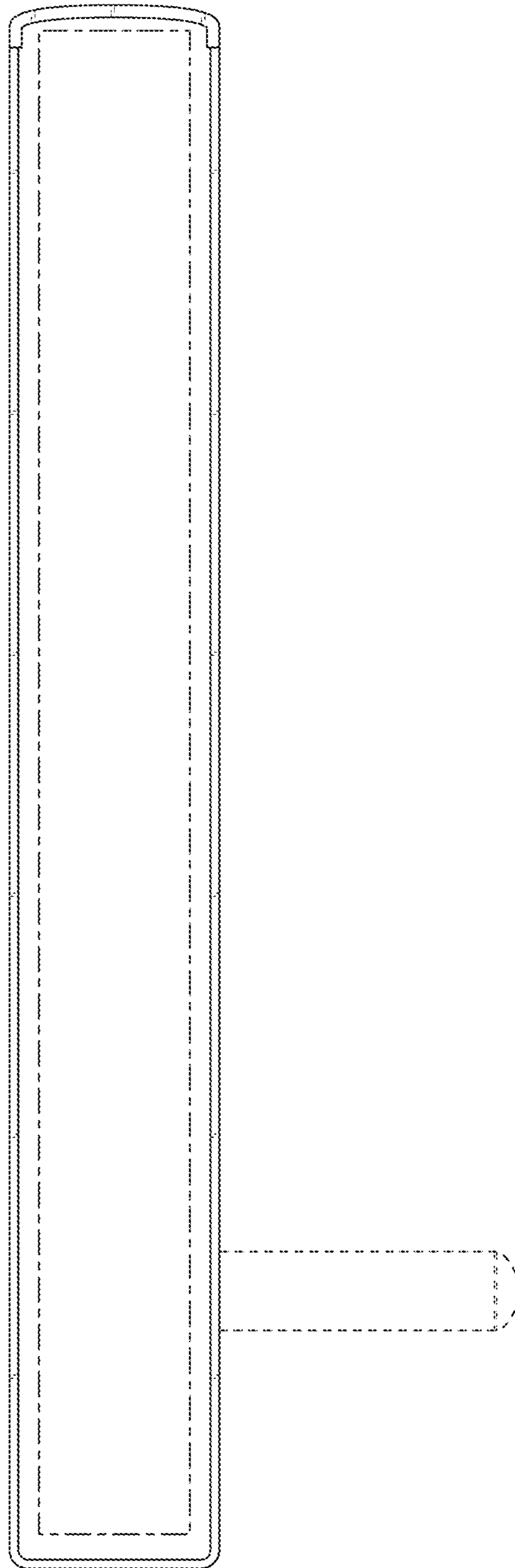


FIG. 4

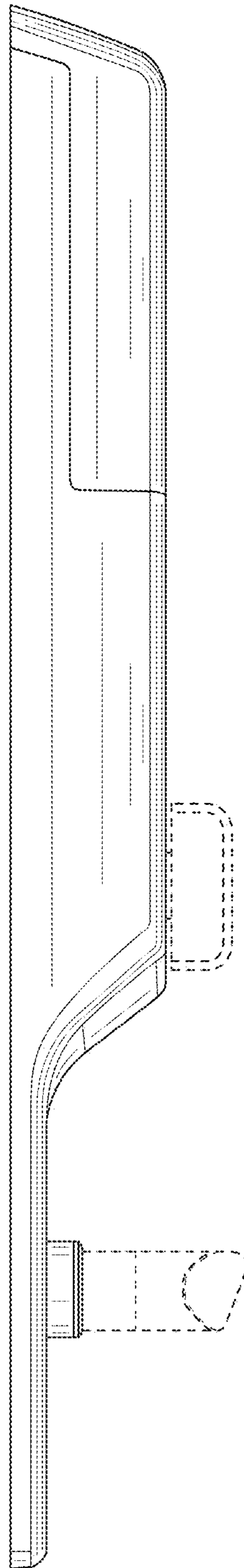


FIG. 5

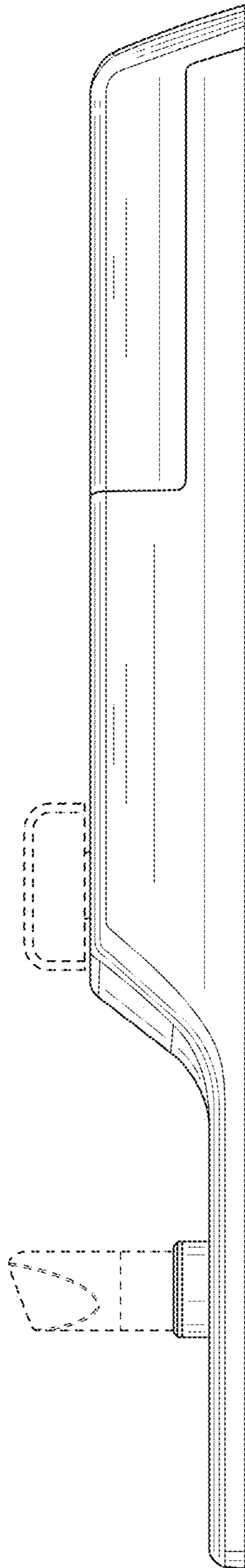


FIG. 6

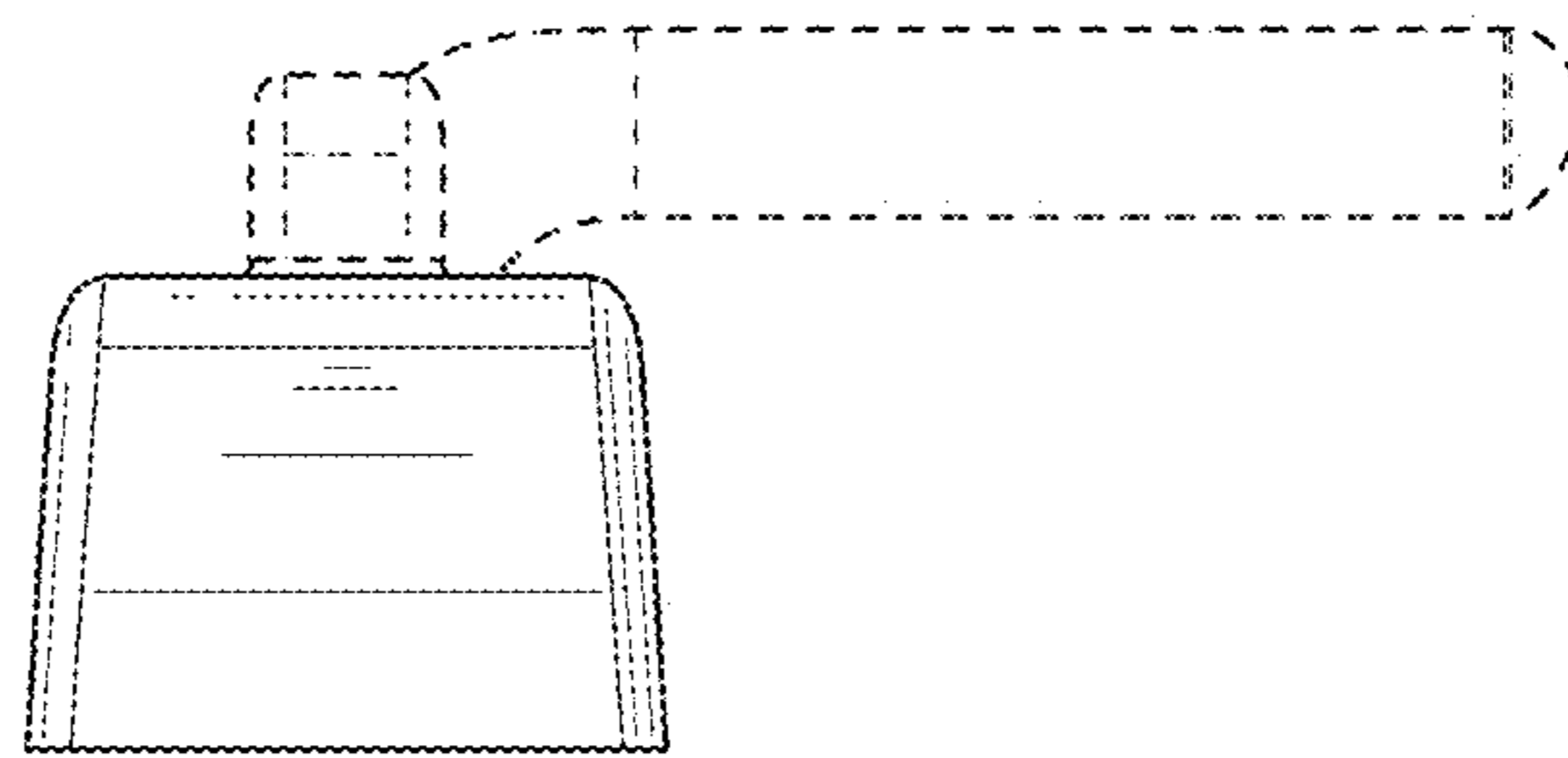


FIG. 7



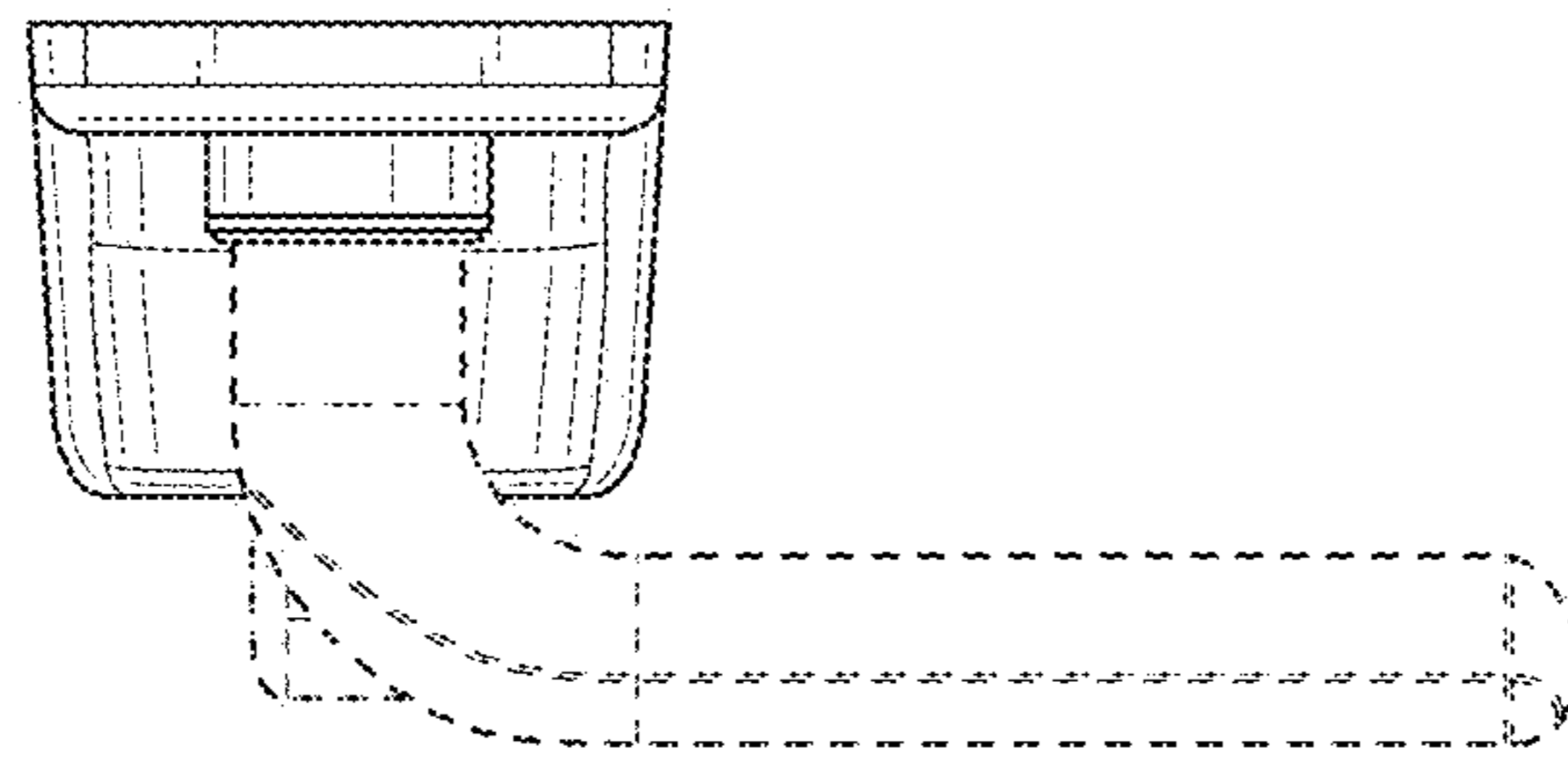


FIG. 8