



US00D876199S

(12) **United States Design Patent**  
**Zhu**

(10) **Patent No.:** **US D876,199 S**

(45) **Date of Patent:** **\*\* Feb. 25, 2020**

(54) **KNIFE SHARPENER**

(71) Applicant: **Guodong Zhu**, Guangdong Province  
(CN)

(72) Inventor: **Guodong Zhu**, Guangdong Province  
(CN)

(\*\*) Term: **15 Years**

(21) Appl. No.: **29/630,176**

(22) Filed: **Dec. 19, 2017**

(51) **LOC (12) Cl.** ..... **08-05**

(52) **U.S. Cl.**  
USPC ..... **D8/93**

(58) **Field of Classification Search**  
USPC ..... D8/63, 90, 91, 92, 93  
CPC .... B24B 3/54; B24B 3/36; B24B 3/58; B24B  
3/00; B24B 23/08; B24B 15/00; B24B  
15/06; B24B 15/063; B24B 15/08  
See application file for complete search history.

(56) **References Cited**

**U.S. PATENT DOCUMENTS**

D309,415 S \* 7/1990 Shimizu ..... D8/63  
D357,395 S \* 4/1995 Friel ..... D8/93

D392,869 S \* 3/1998 Rieser ..... D8/93  
D470,382 S \* 2/2003 Kurz ..... D8/91  
D624,799 S \* 10/2010 De Bretton Gordon ..... D8/93  
D626,397 S \* 11/2010 Smith ..... D8/93  
D629,273 S \* 12/2010 Friel, Sr. .... D8/93  
D640,115 S \* 6/2011 Huff ..... D8/93  
D640,909 S \* 7/2011 Stutz ..... D8/93  
D680,846 S \* 4/2013 Smith ..... D8/93  
D763,650 S \* 8/2016 Severinson ..... D8/93  
D773,913 S \* 12/2016 Severinson ..... D8/93

\* cited by examiner

*Primary Examiner* — Philip S Hyder

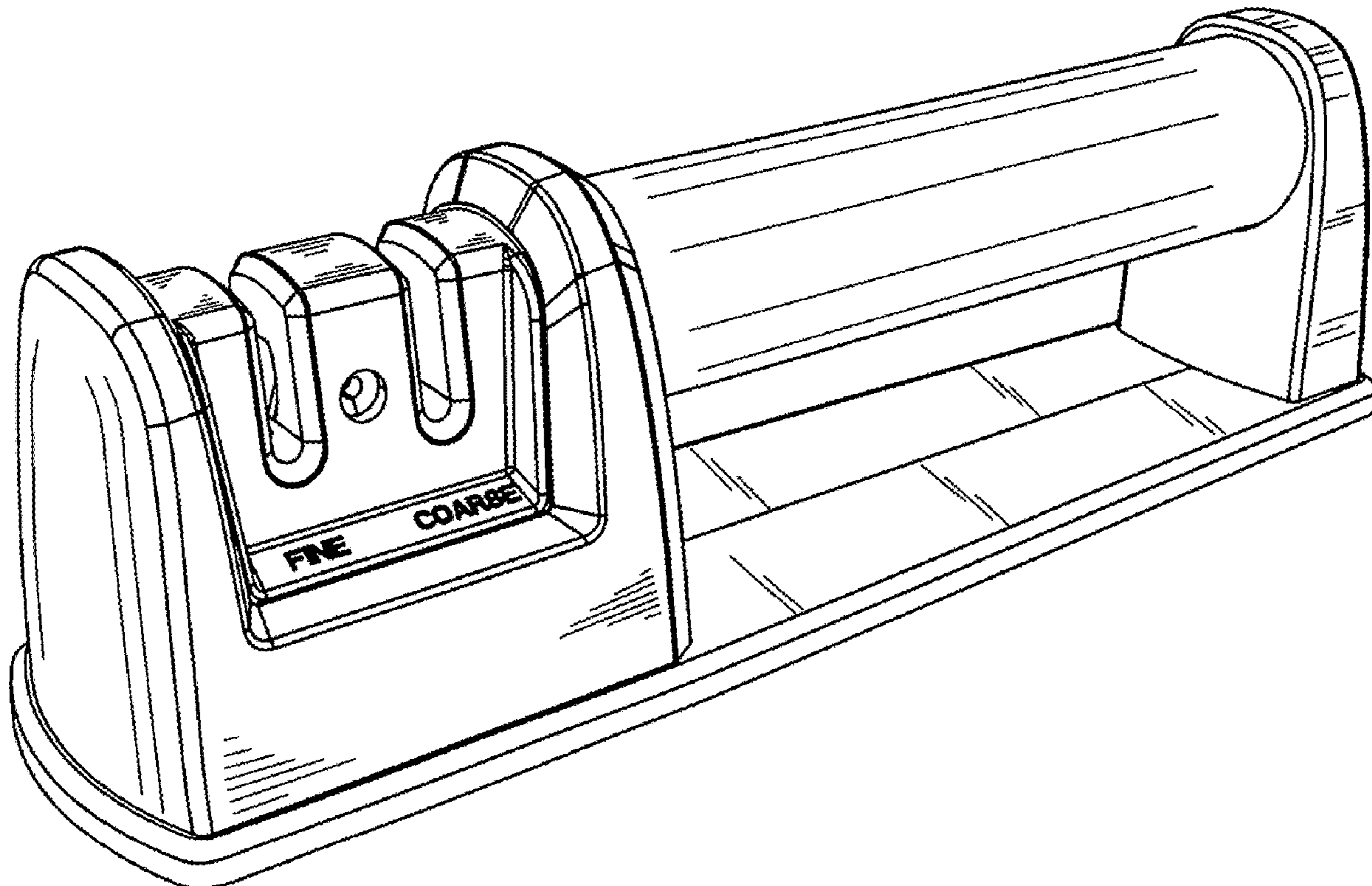
(57) **CLAIM**

The ornamental design for a knife sharpener, as shown.

**DESCRIPTION**

FIG. 1 is a front elevational view of a knife sharpener showing my new design;  
FIG. 2 is a rear elevational view thereof;  
FIG. 3 is a left side view thereof;  
FIG. 4 is a right side view thereof;  
FIG. 5 is a top plan view thereof;  
FIG. 6 is a bottom plan view thereof; and,  
FIG. 7 is a perspective view thereof.

**1 Claim, 7 Drawing Sheets**



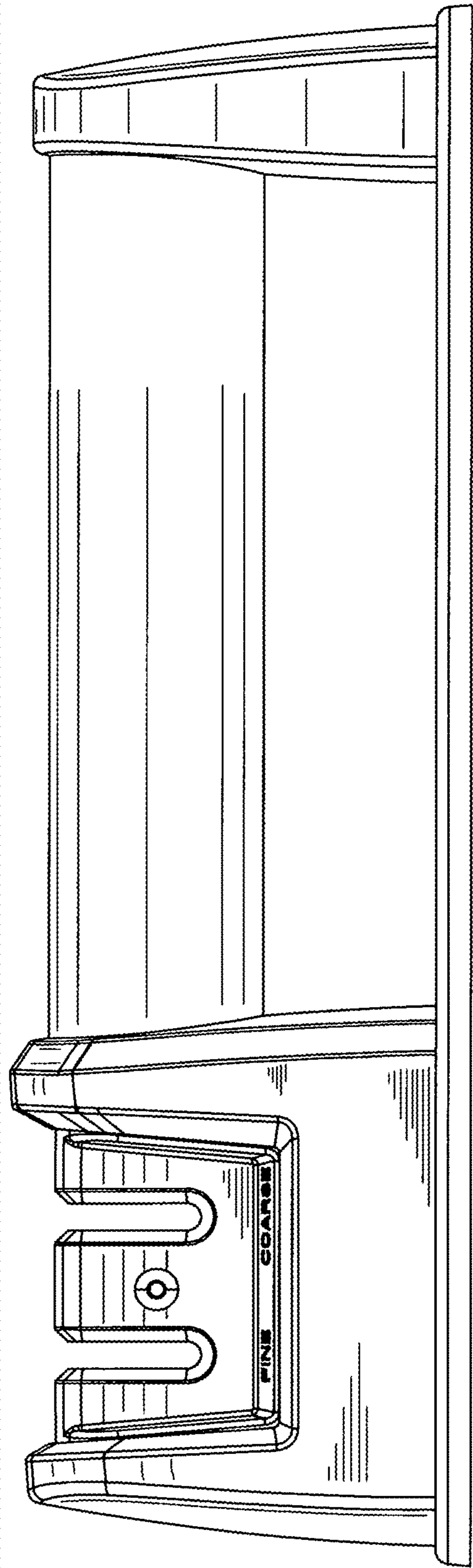


Fig. 1

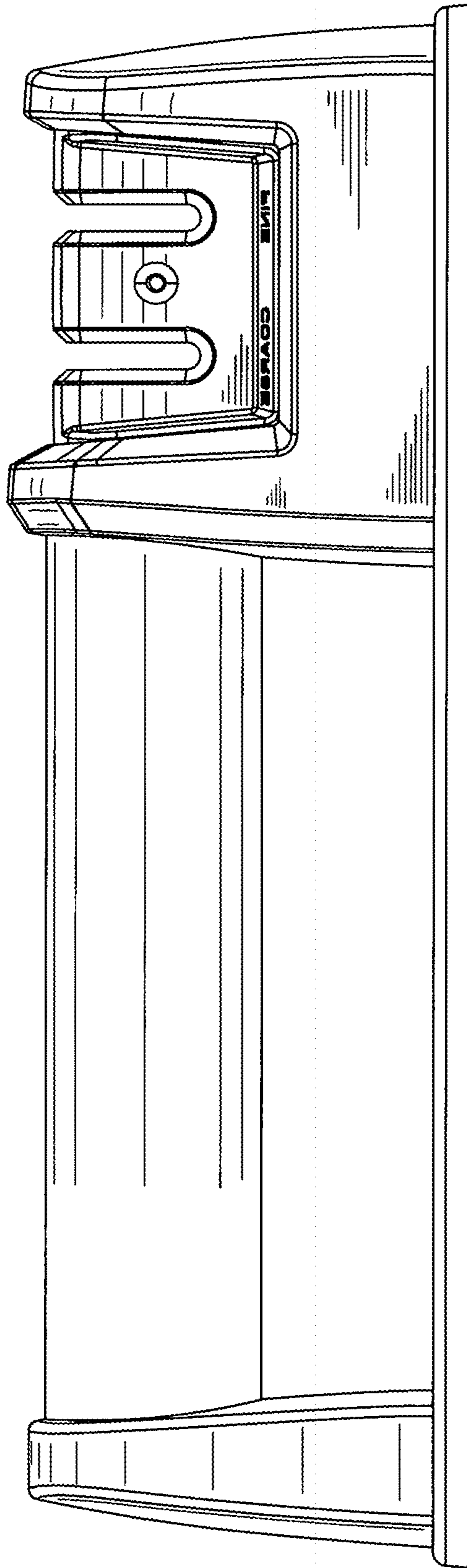


Fig. 2

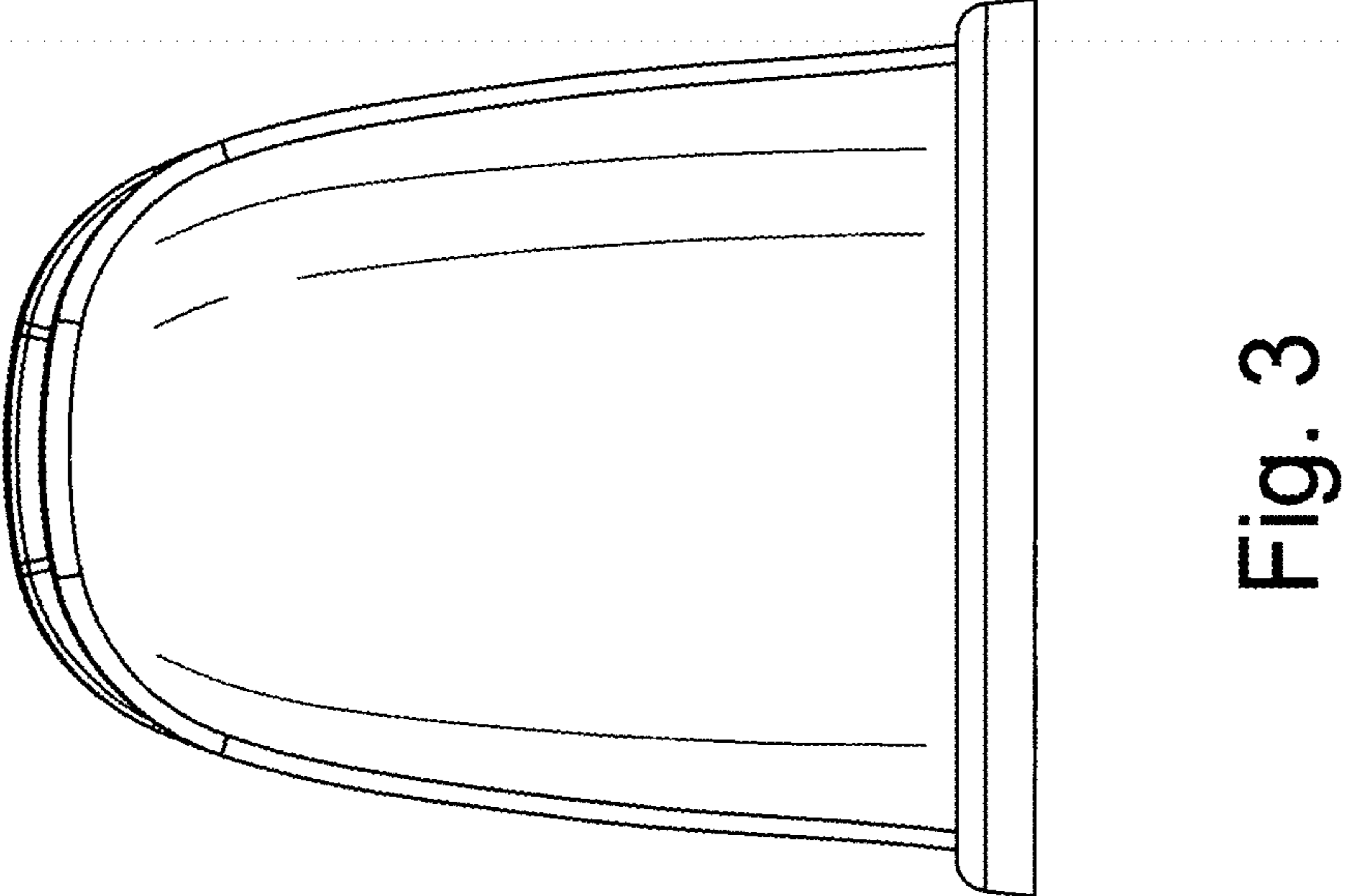


Fig. 3

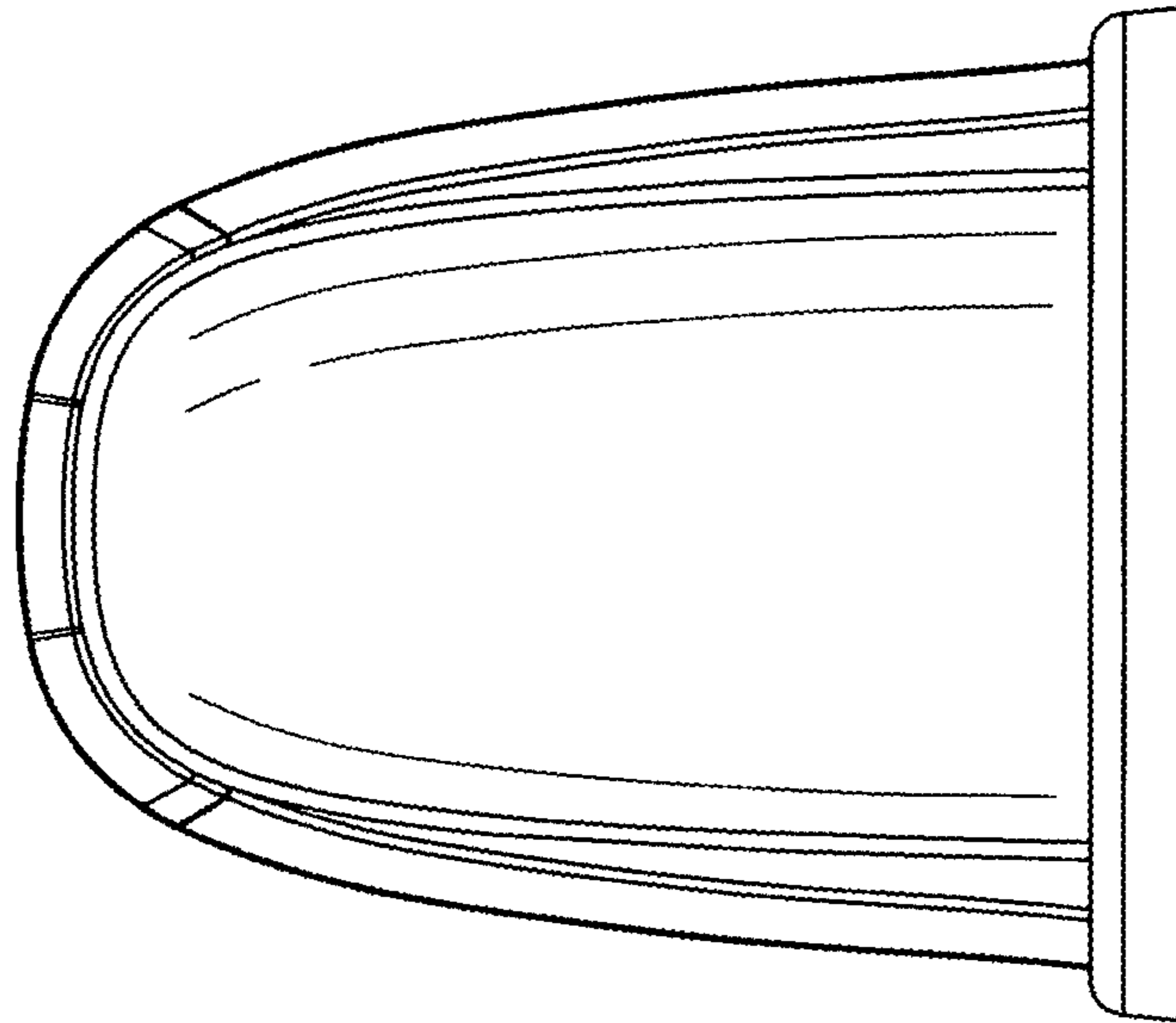


Fig. 4

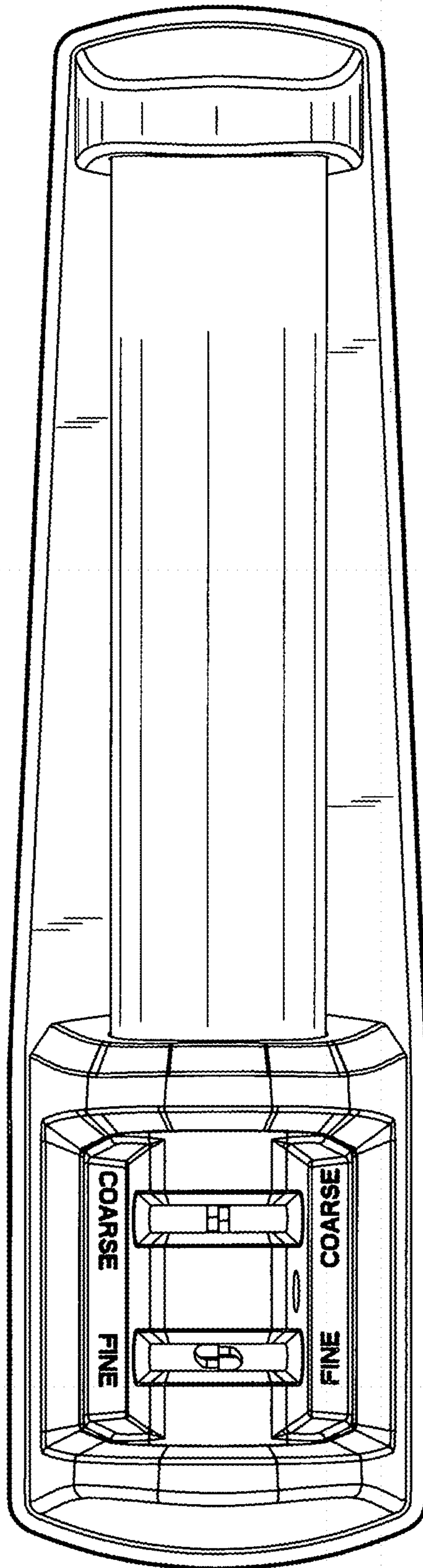


Fig. 5

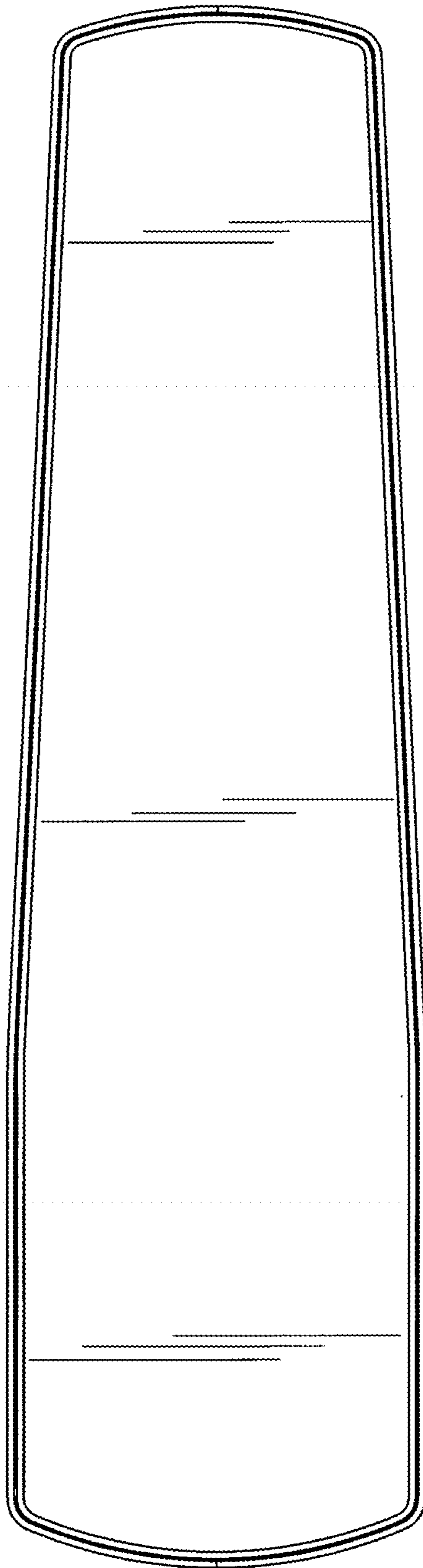


Fig. 6

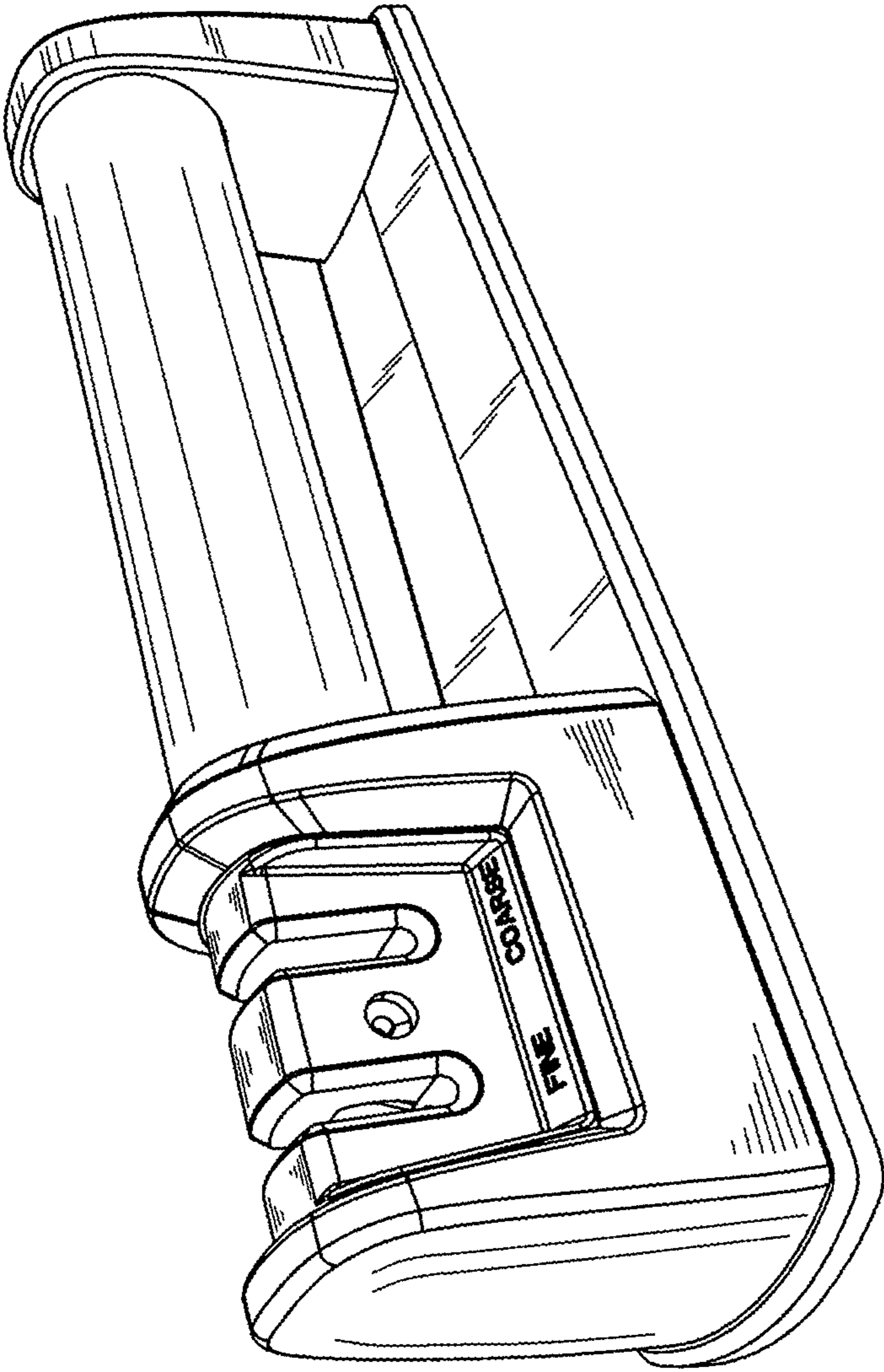


Fig. 7