



US00D876197S

(12) **United States Design Patent**
Bileth

(10) **Patent No.:** **US D876,197 S**
(45) **Date of Patent:** **** Feb. 25, 2020**

(54) **POST MOUNTABLE OBJECT HOLDER**

(71) Applicant: **Jeffrey A. Bileth**, Caledonia, MI (US)

(72) Inventor: **Jeffrey A. Bileth**, Caledonia, MI (US)

(**) Term: **15 Years**

(21) Appl. No.: **29/670,677**

(22) Filed: **Nov. 19, 2018**

Related U.S. Application Data

(63) Continuation of application No. 15/055,790, filed on Feb. 29, 2016, now Pat. No. 10,151,425.

(51) **LOC (12) Cl.** **08-05**

(52) **U.S. Cl.**
USPC **D8/71**

(58) **Field of Classification Search**
USPC ... D6/382-384, 406.1, 406.5, 654, 704, 705,
D6/705.1, 707; D8/71-74
CPC . A47B 96/1425; A47B 96/002; A47B 96/025;
A47F 5/04; A47F 5/10
See application file for complete search history.

(56) **References Cited**

U.S. PATENT DOCUMENTS

D105,327 S	7/1870	Gorton	
D535,767 S	3/1895	Murdock et al.	
1,291,794 A	1/1919	Droste	
1,319,445 A	10/1919	Wilson	
1,350,367 A	8/1920	Giddings	
1,693,298 A	11/1928	Ingham	
1,709,239 A	4/1929	VerWiebe	
1,747,628 A *	2/1930	Hagel	A41H 17/00 211/13.1
2,261,454 A	11/1941	Scheu	
2,846,175 A	8/1958	Sexton	
2,864,510 A	12/1958	Sture	
2,867,401 A	1/1959	Sheahan	
2,958,760 A	11/1960	McNally	
3,449,002 A	6/1969	Bernard	
3,861,432 A	1/1975	Rothenberger	

5,024,067 A	6/1991	Maier, II	
5,114,023 A	5/1992	Lavin	
5,456,436 A	10/1995	Faudie	
5,490,607 A	2/1996	Hsieh et al.	
5,564,962 A *	10/1996	Navarrete Espinosa A63H 18/02 446/128

(Continued)

FOREIGN PATENT DOCUMENTS

FR 2392637 6/1977

Primary Examiner — Janice Hallmark

Assistant Examiner — Harold E Blackwell, II

(74) *Attorney, Agent, or Firm* — Gardner, Linn, Burkart & Ondersma LLP

(57) **CLAIM**

The ornamental design for the post mountable object holder, as shown and described.

DESCRIPTION

FIG. 1 is a front perspective view of the post mountable object holder showing the design in an environment of use mounted to a post and holding objects;

FIG. 2 is a side perspective view of the post mountable object holder of FIG. 1 showing the design in an environment of use mounted to a post;

FIG. 3 is a top perspective view of the post mountable object holder of FIG. 1;

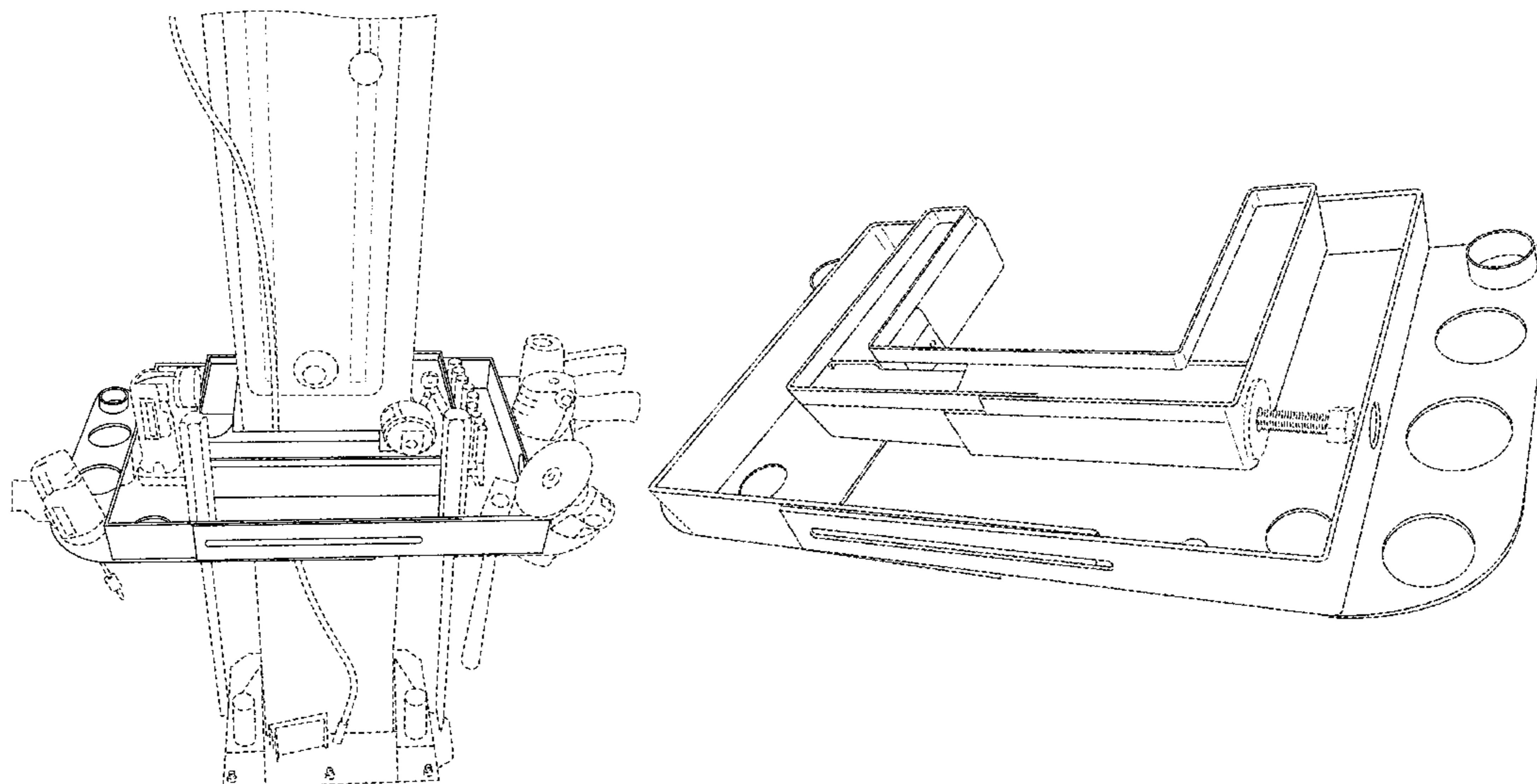
FIG. 4 is a bottom perspective view of the post mountable object holder of FIG. 1;

FIG. 5 is a rear perspective view of the post mountable object holder of FIG. 1; and,

FIG. 6 is a front perspective view of the post mountable object holder of FIG. 1.

The broken lines in the drawings illustrate portions of the post mountable object holder which form no part of the claimed design.

1 Claim, 6 Drawing Sheets



(56)

References Cited

U.S. PATENT DOCUMENTS

6,360,884	B1	3/2002	Smith et al.	
6,623,956	B1 *	9/2003	Cecchi	C12M 21/06 422/561
6,889,618	B1	5/2005	Gromack	
7,404,532	B1	7/2008	Baril	
7,594,706	B2	9/2009	Styka et al.	
7,802,680	B2	9/2010	Krebs et al.	
8,226,057	B2	7/2012	Ao et al.	
8,317,143	B1	11/2012	Abreu	
D696,540	S *	12/2013	Dart	D6/705.1
8,967,562	B1	3/2015	Bileth	
D746,087	S *	12/2015	Dart	D6/678.1
9,220,341	B2 *	12/2015	Dart	A47B 45/00
10,124,481	B2 *	11/2018	Malone	B25H 5/00
D834,862	S *	12/2018	Dart	D6/705
10,151,425	B1 *	12/2018	Bileth	F16M 13/022
2001/0052505	A1	12/2001	Lee	
2004/0084593	A1	5/2004	Barfield	
2005/0056655	A1	3/2005	Gary	
2008/0169737	A1	7/2008	Shen	
2008/0264883	A1	10/2008	Stafford et al.	
2011/0198466	A1	8/2011	Lloyd, III	
2011/0303808	A1	12/2011	Bileth	

* cited by examiner

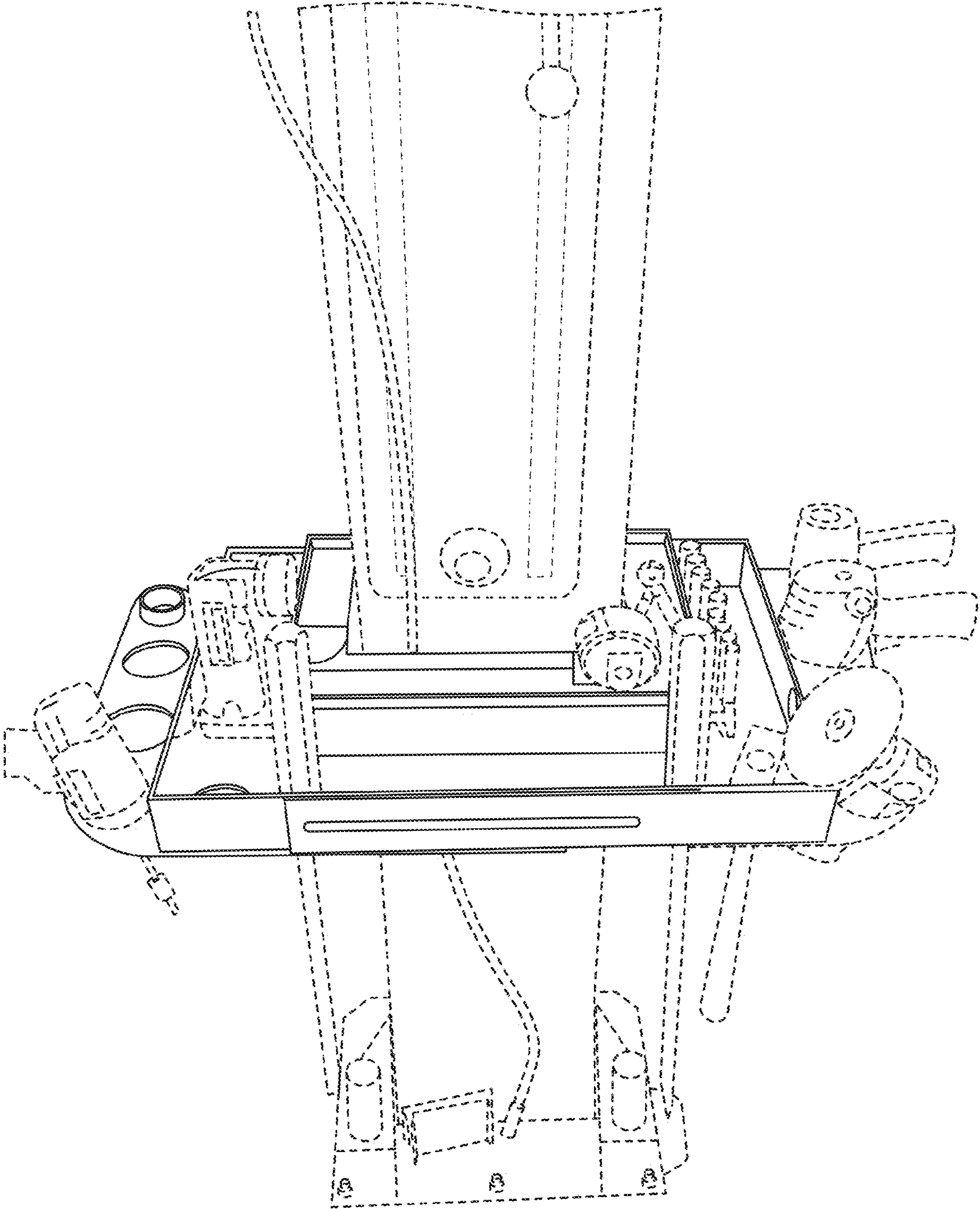


FIG. 1

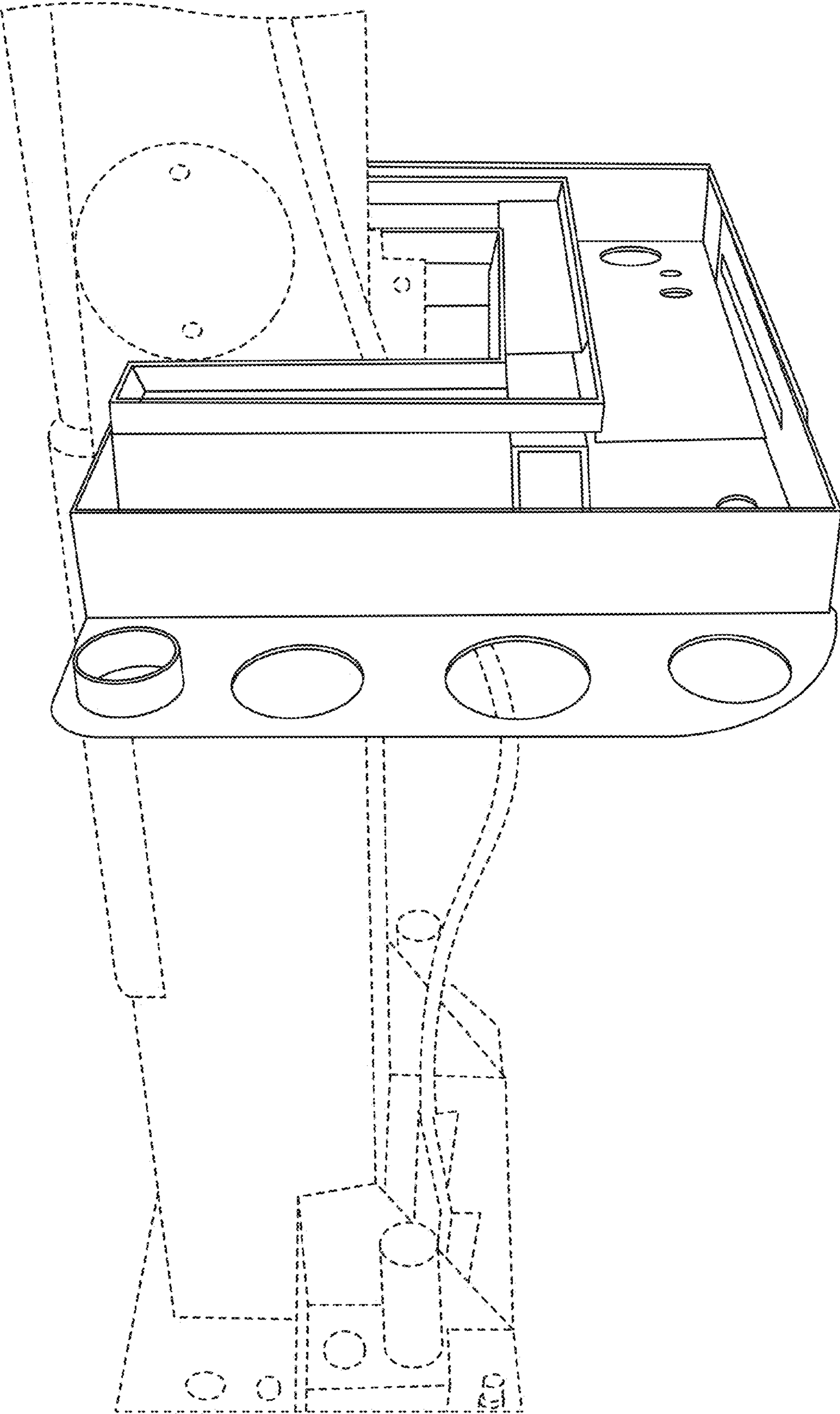


FIG. 2

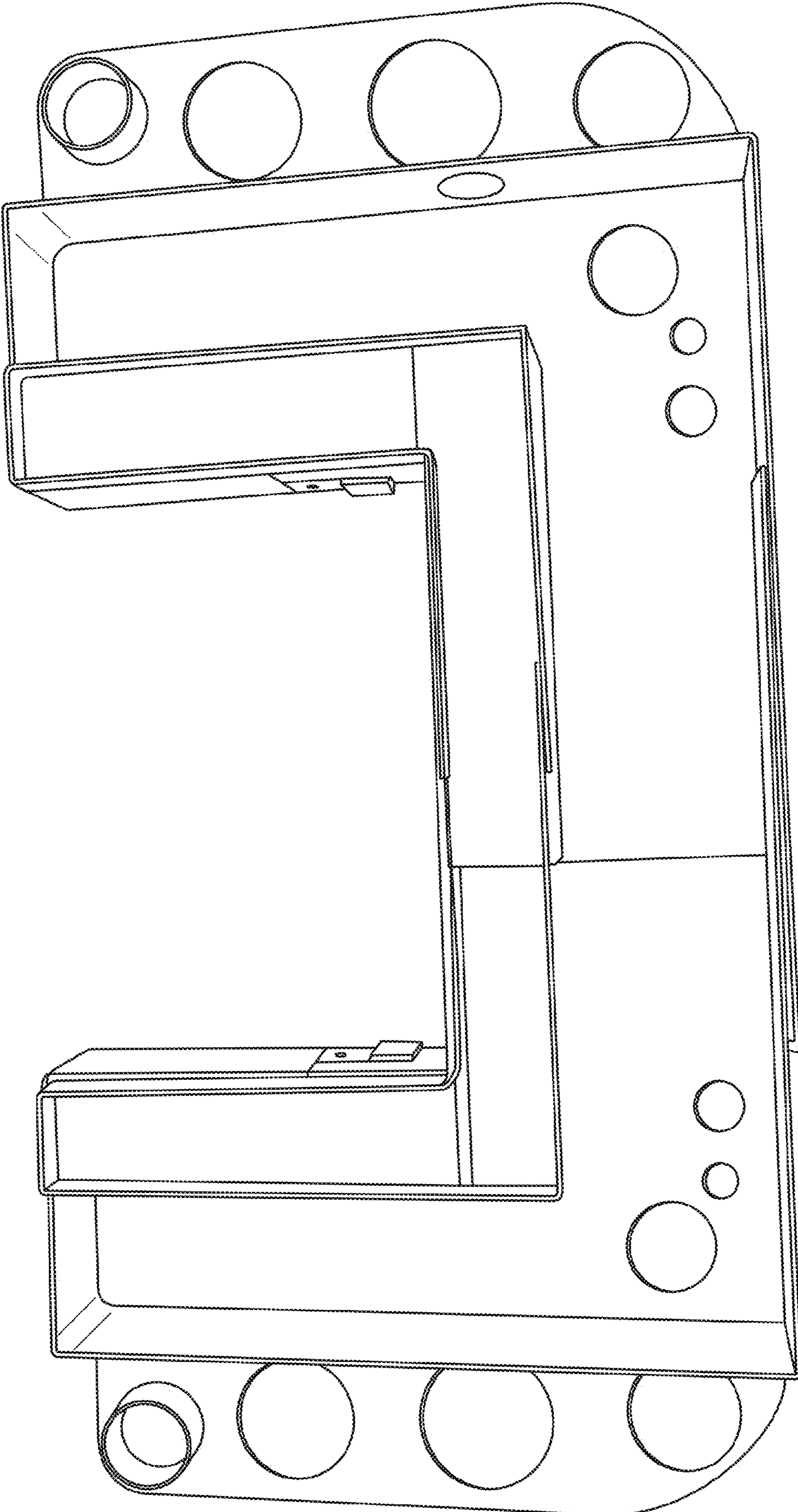


FIG. 3

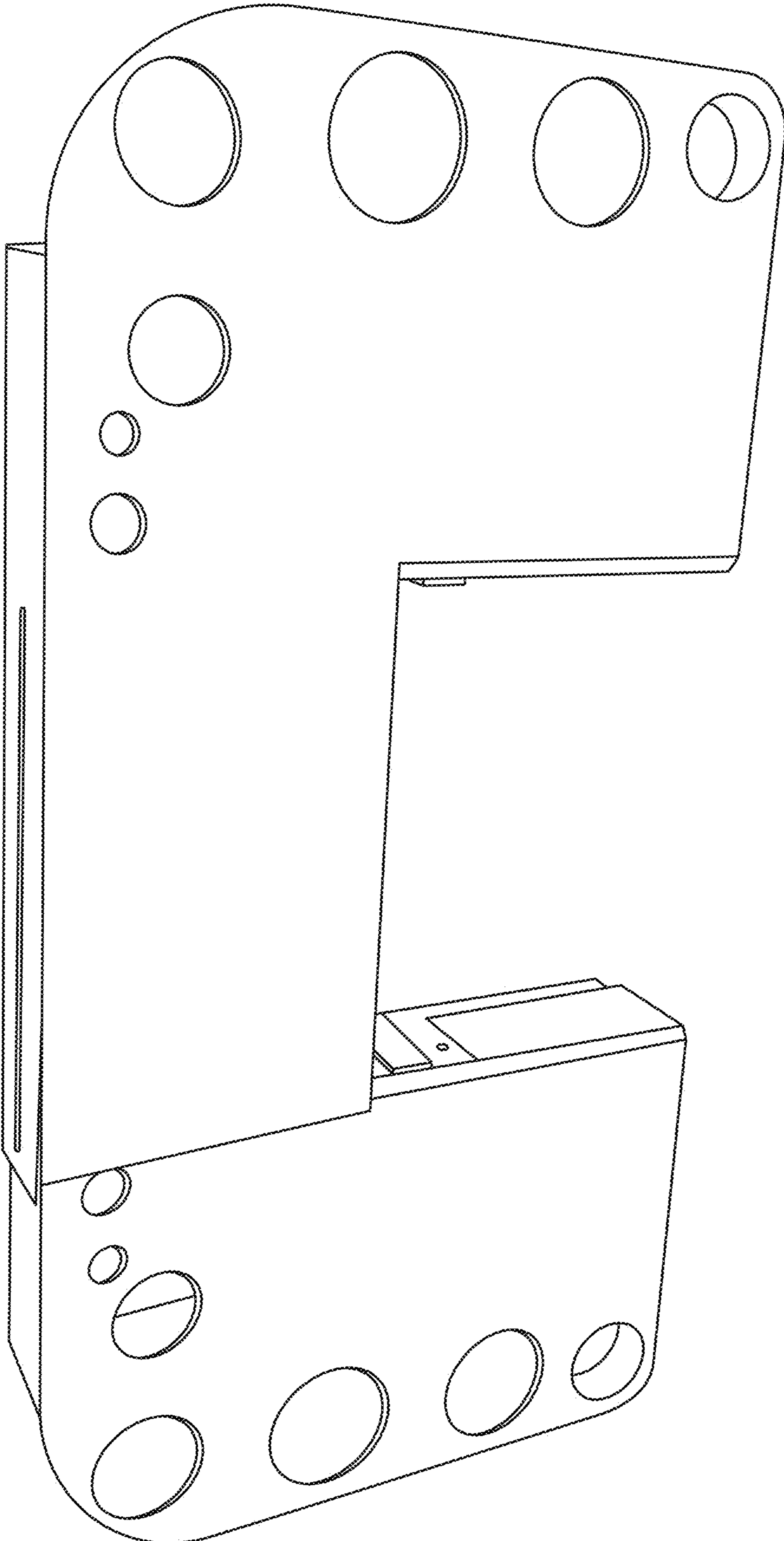


FIG. 4

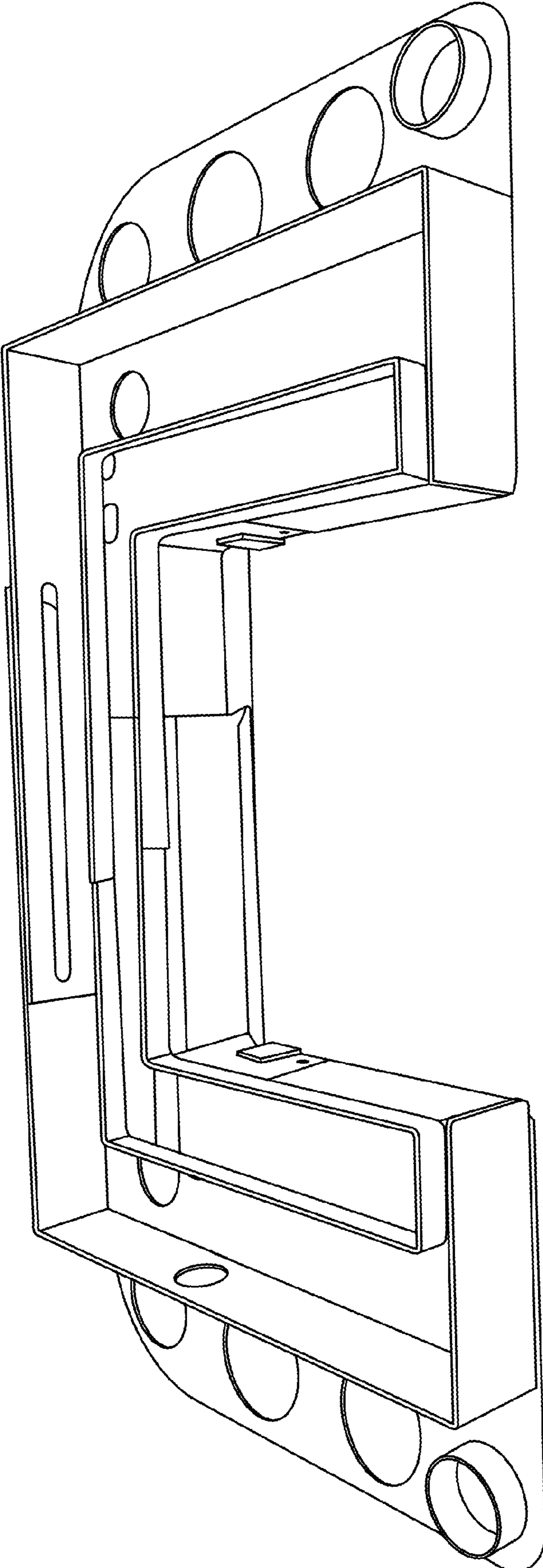


FIG. 5

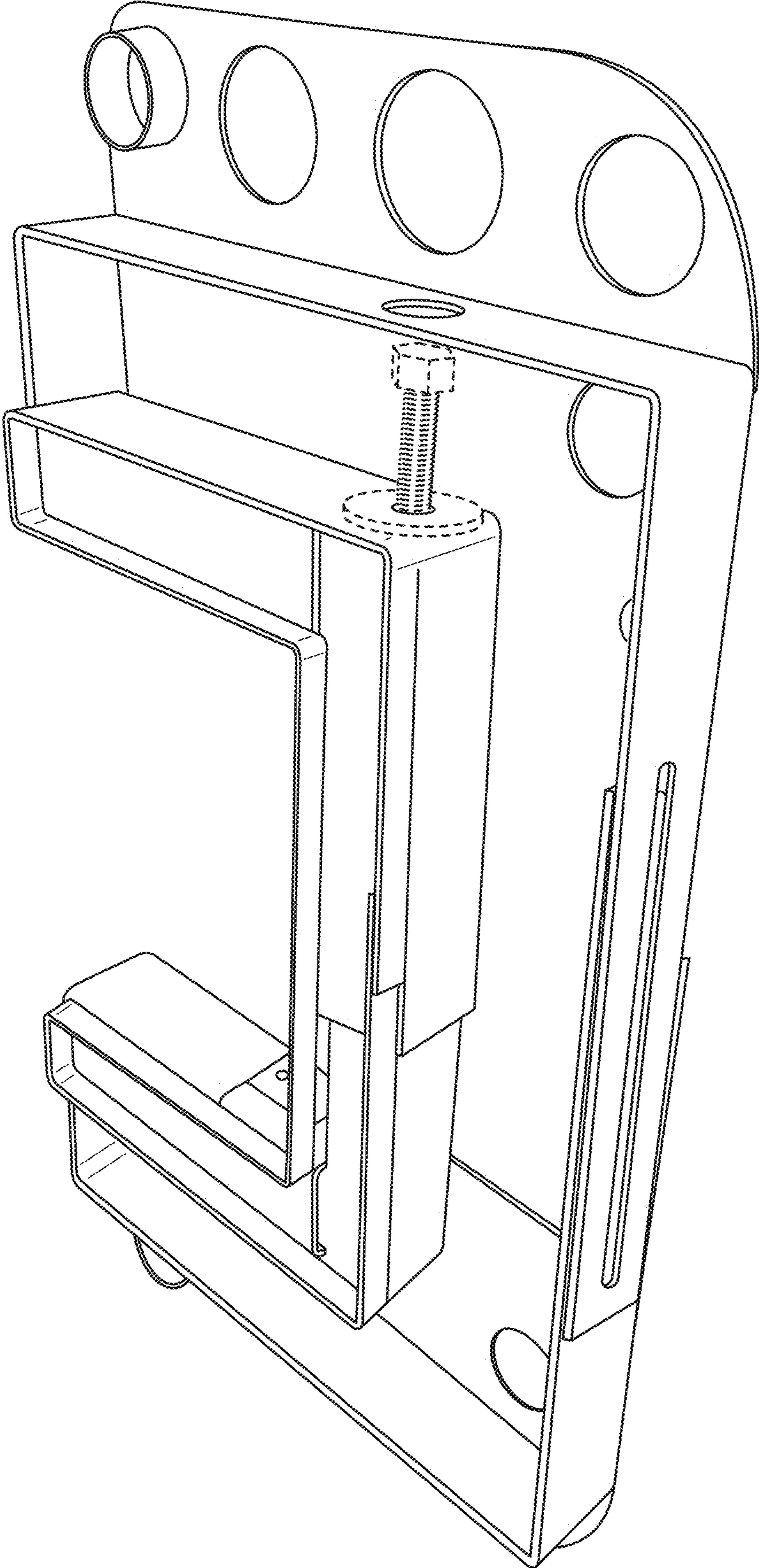


FIG. 6