



US00D876196S

(12) **United States Design Patent**
Baheti

(10) **Patent No.:** **US D876,196 S**

(45) **Date of Patent:** **** Feb. 25, 2020**

(54) **BENCH BLOCK**

8,459,628 B2 6/2013 Adkins
D793,834 S 8/2017 Gupta
D827,721 S * 9/2018 Whang D21/404

(71) Applicant: **Hawk Importers, Inc.**, Long Beach,
CA (US)

* cited by examiner

(72) Inventor: **Shyam Baheti**, Cerritos, CA (US)

Primary Examiner — Keli L Hill

(73) Assignee: **Hawk Importers, Inc.**, Long Beach,
CA (US)

Assistant Examiner — Harold E Blackwell, II

(74) *Attorney, Agent, or Firm* — Mahesh Law Group PC

(**) Term: **15 Years**

(57) **CLAIM**

I claim the ornamental design for a bench block, as shown and described.

(21) Appl. No.: **29/661,797**

DESCRIPTION

(22) Filed: **Aug. 30, 2018**

(51) **LOC (12) Cl.** **08-05**

(52) **U.S. Cl.**
USPC **D8/71**

(58) **Field of Classification Search**
USPC D8/71; D21/484-486, 499, 500
CPC B25H 1/00; B25B 11/00
See application file for complete search history.

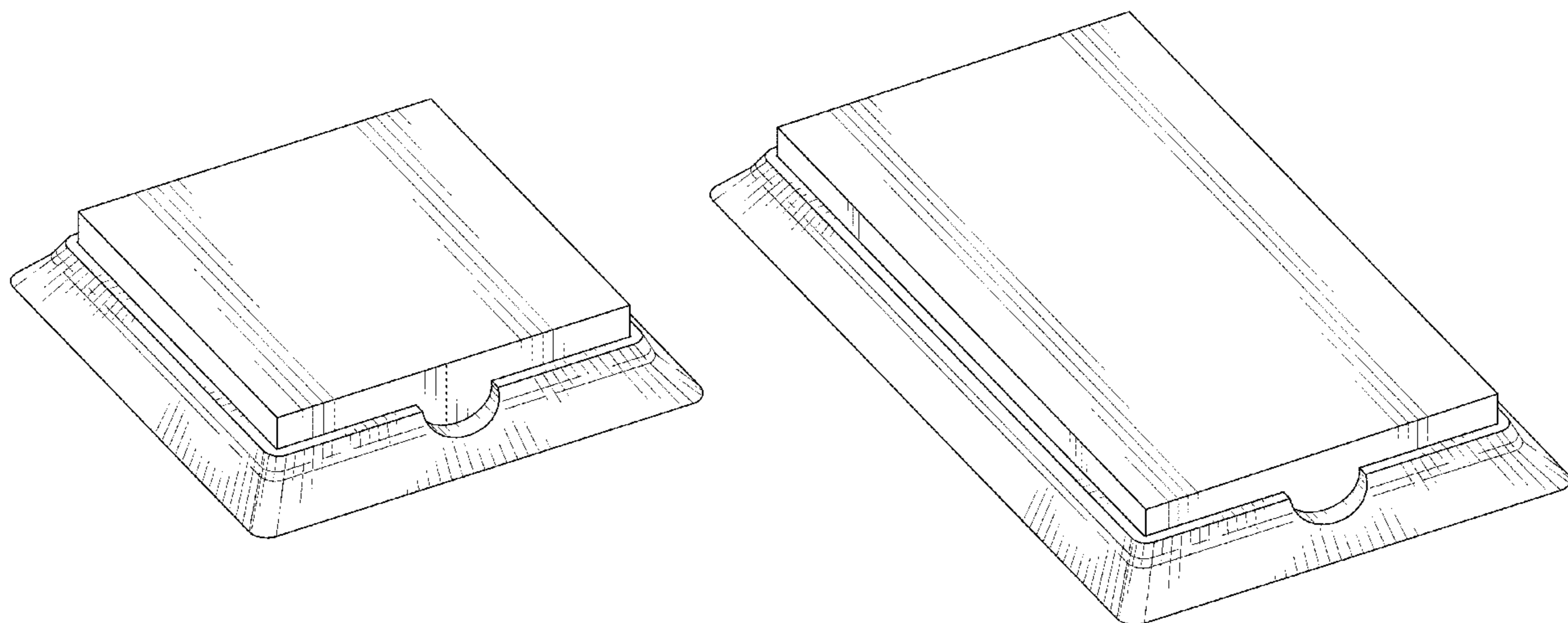
FIG. 1 is a perspective view of a bench block;
FIG. 2 is a front view of the bench block from FIG. 1;
FIG. 3 is a back view of the bench block from FIG. 1;
FIG. 4 is a left side view of the bench block from FIG. 1;
FIG. 5 is a right side view of the bench block from FIG. 1;
FIG. 6 is a top view of the bench block from FIG. 1;
FIG. 7 is a bottom view of the bench block from FIG. 1;
FIG. 8 is an exploded view of the bench block from FIG. 1.
FIG. 9 is a perspective view of a bench block.
FIG. 10 is a front view of the bench block from FIG. 9;
FIG. 11 is a back view of the bench block from FIG. 9;
FIG. 12 is a left side view of the bench block from FIG. 9;
FIG. 13 is a right side view of the bench block from FIG. 9;
FIG. 14 is a top view of the bench block from FIG. 9;
FIG. 15 is a bottom view of the bench block from FIG. 9;
and,
FIG. 16 is an exploded view of the bench block from FIG. 9.

(56) **References Cited**

U.S. PATENT DOCUMENTS

703,312 A	6/1902	Simola
1,426,658 A	8/1922	McGuckin
1,442,415 A	1/1923	Starrett
1,923,620 A	8/1933	Harland
D396,498 S	7/1998	Leslie
5,947,786 A	9/1999	Glick
D618,080 S	6/2010	Baheti et al.
D643,446 S	8/2011	Gupta et al.

1 Claim, 12 Drawing Sheets



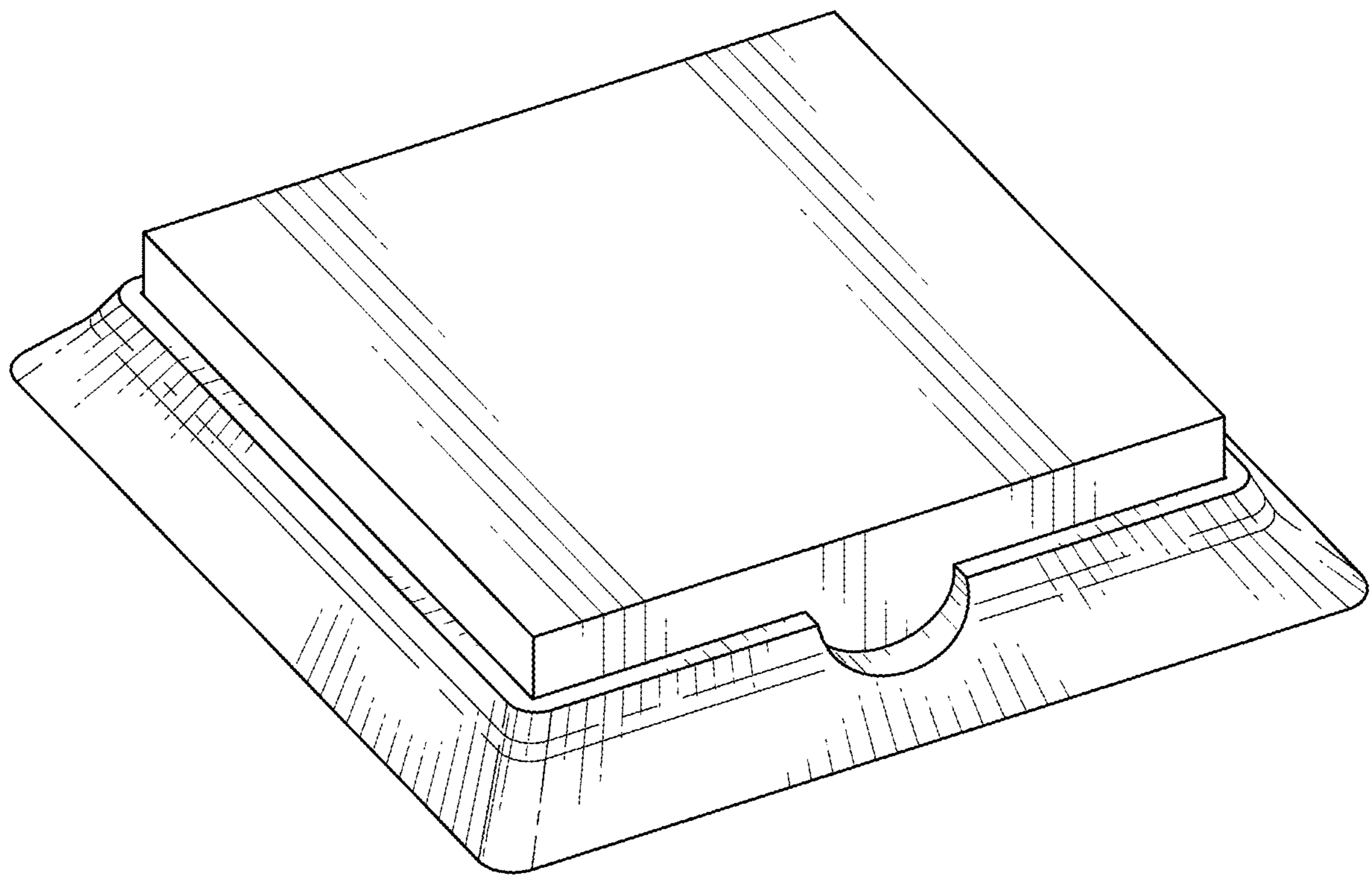


FIG. 1

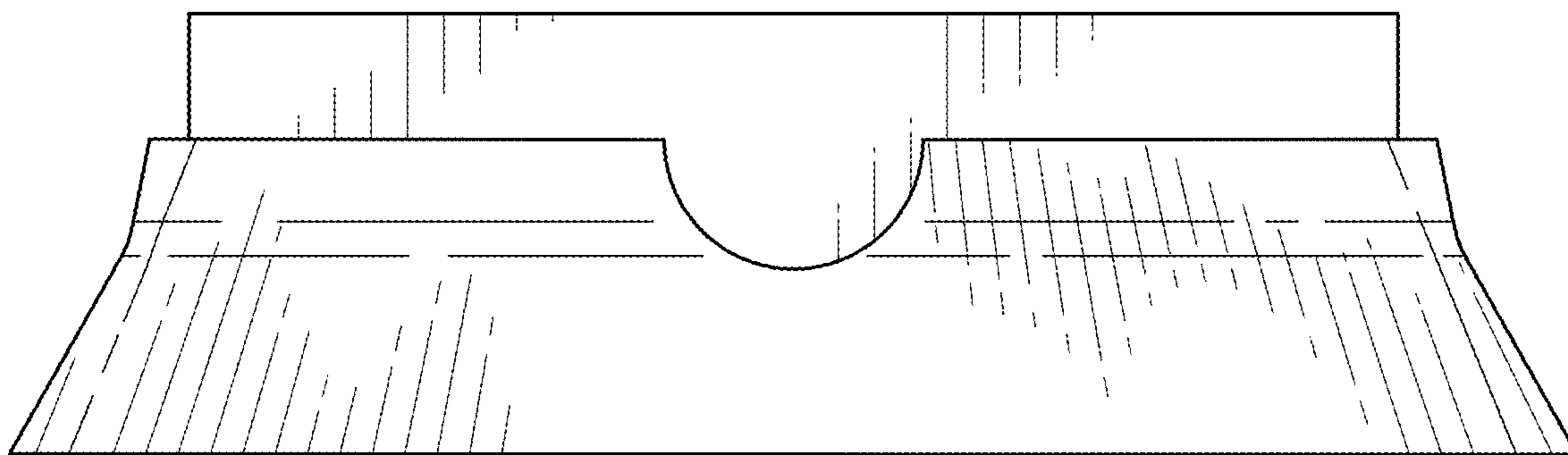


FIG. 2

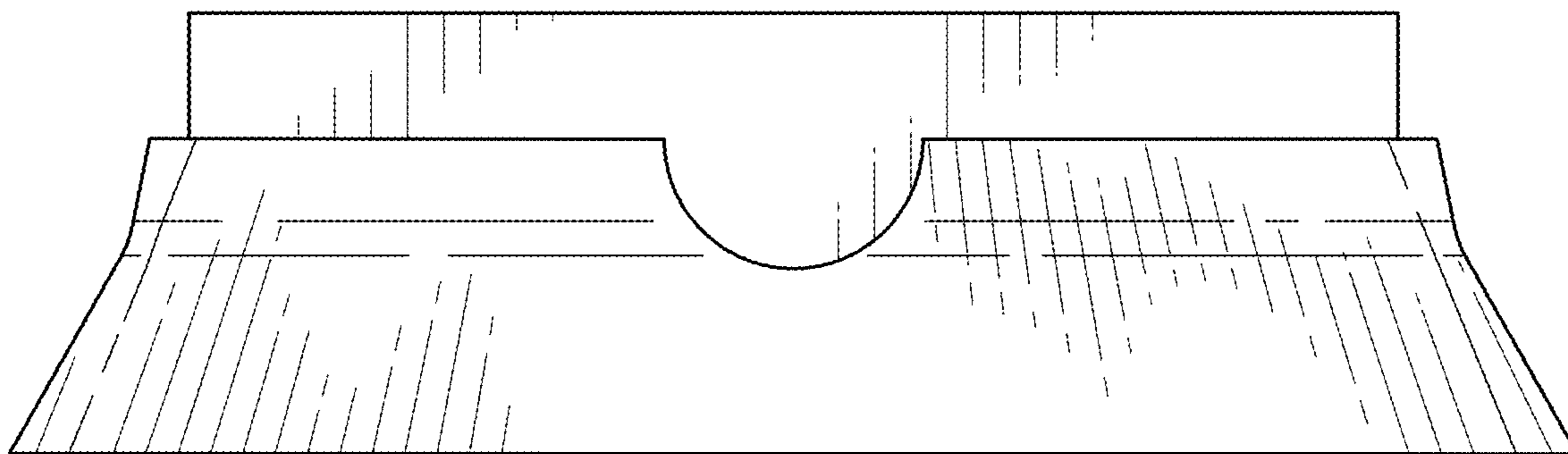


FIG. 3

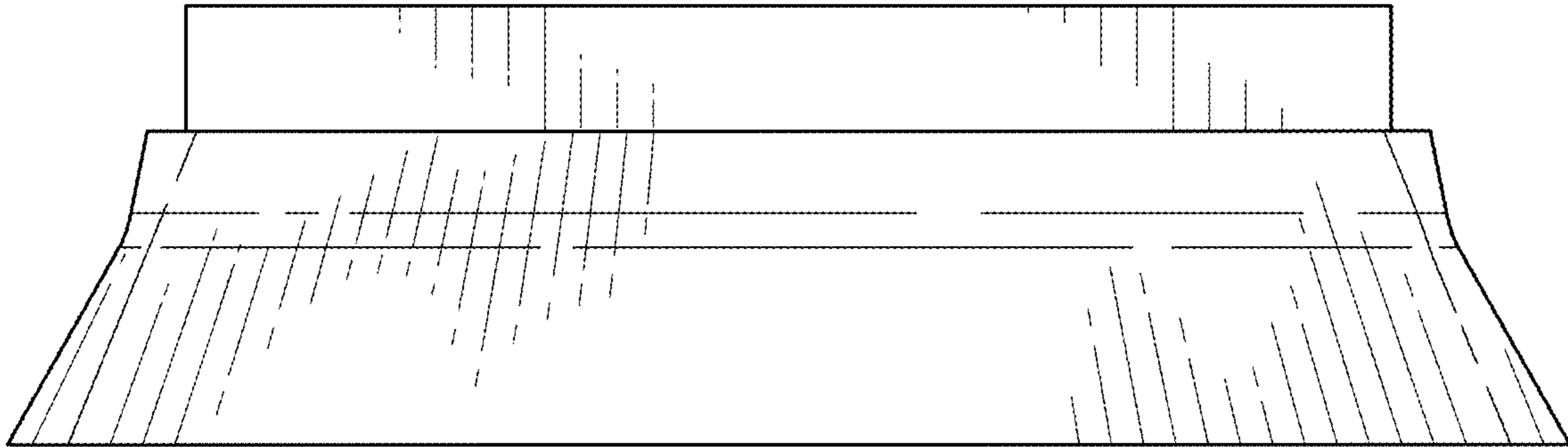


FIG. 4

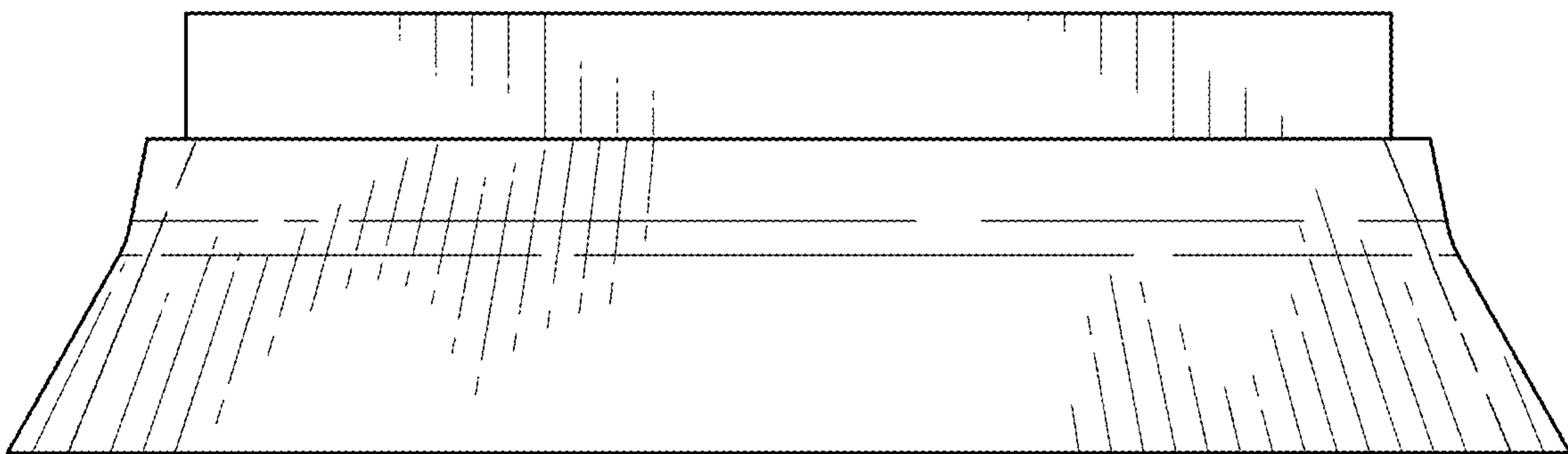


FIG. 5

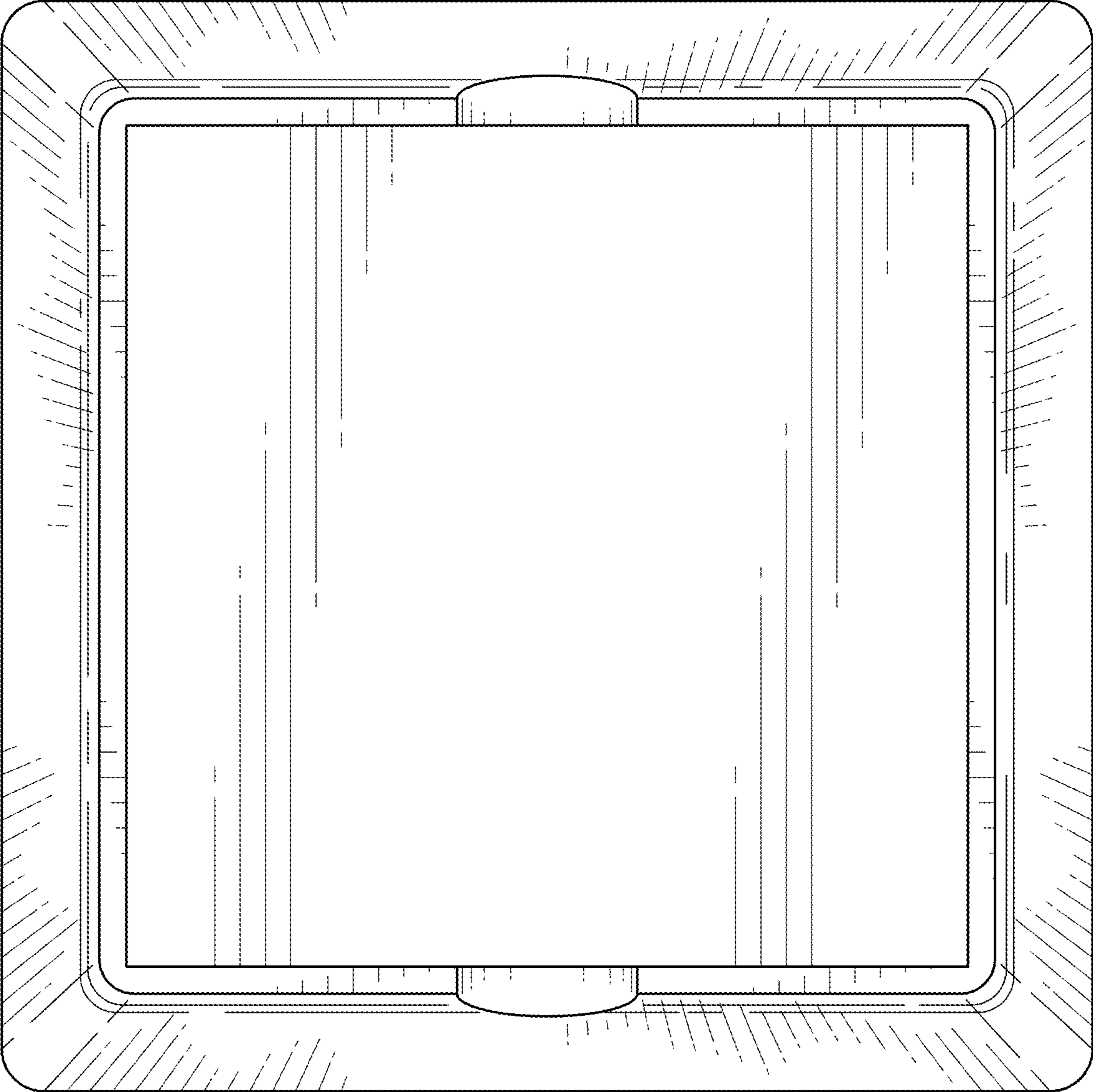


FIG. 6

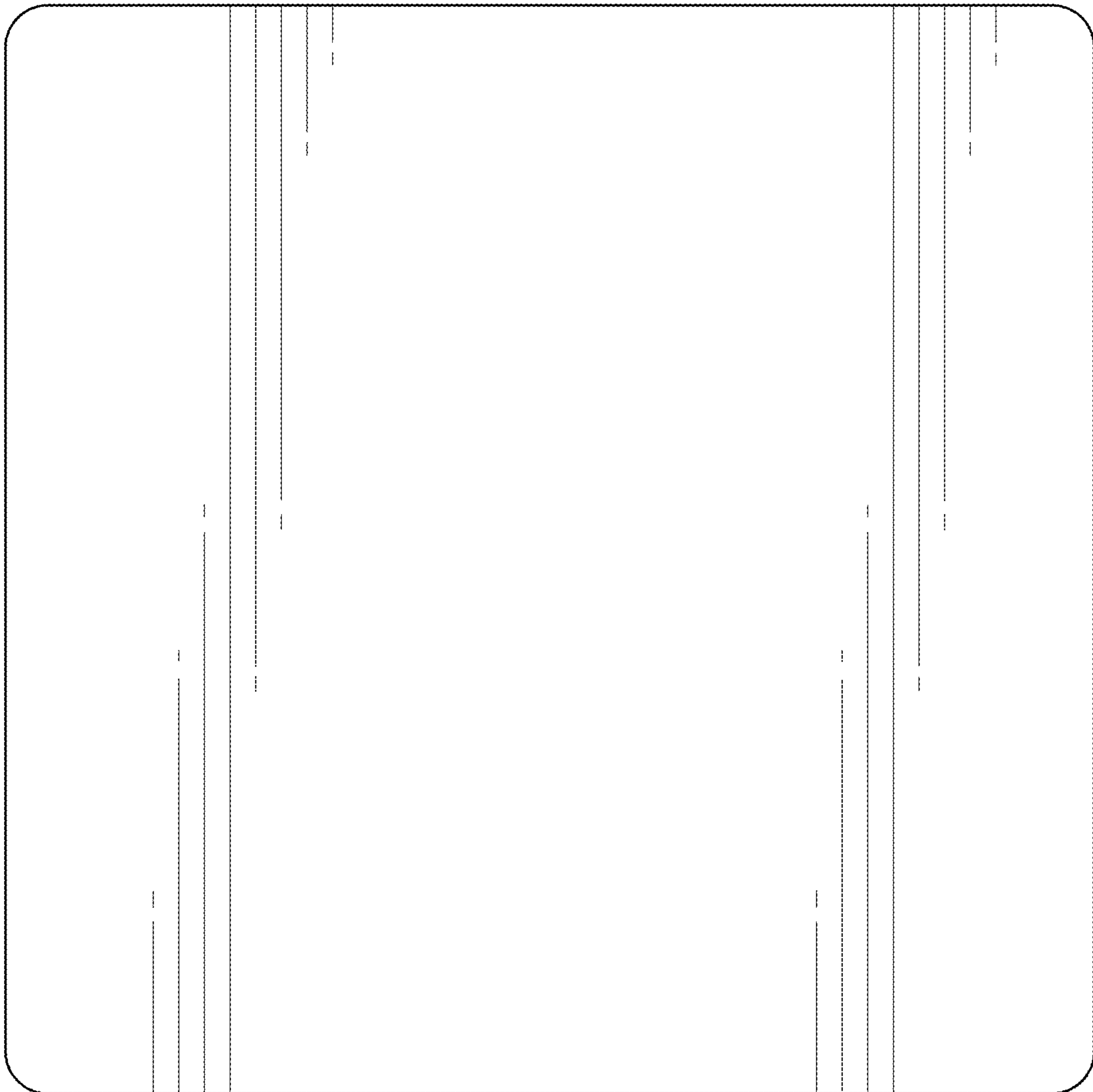


FIG. 7

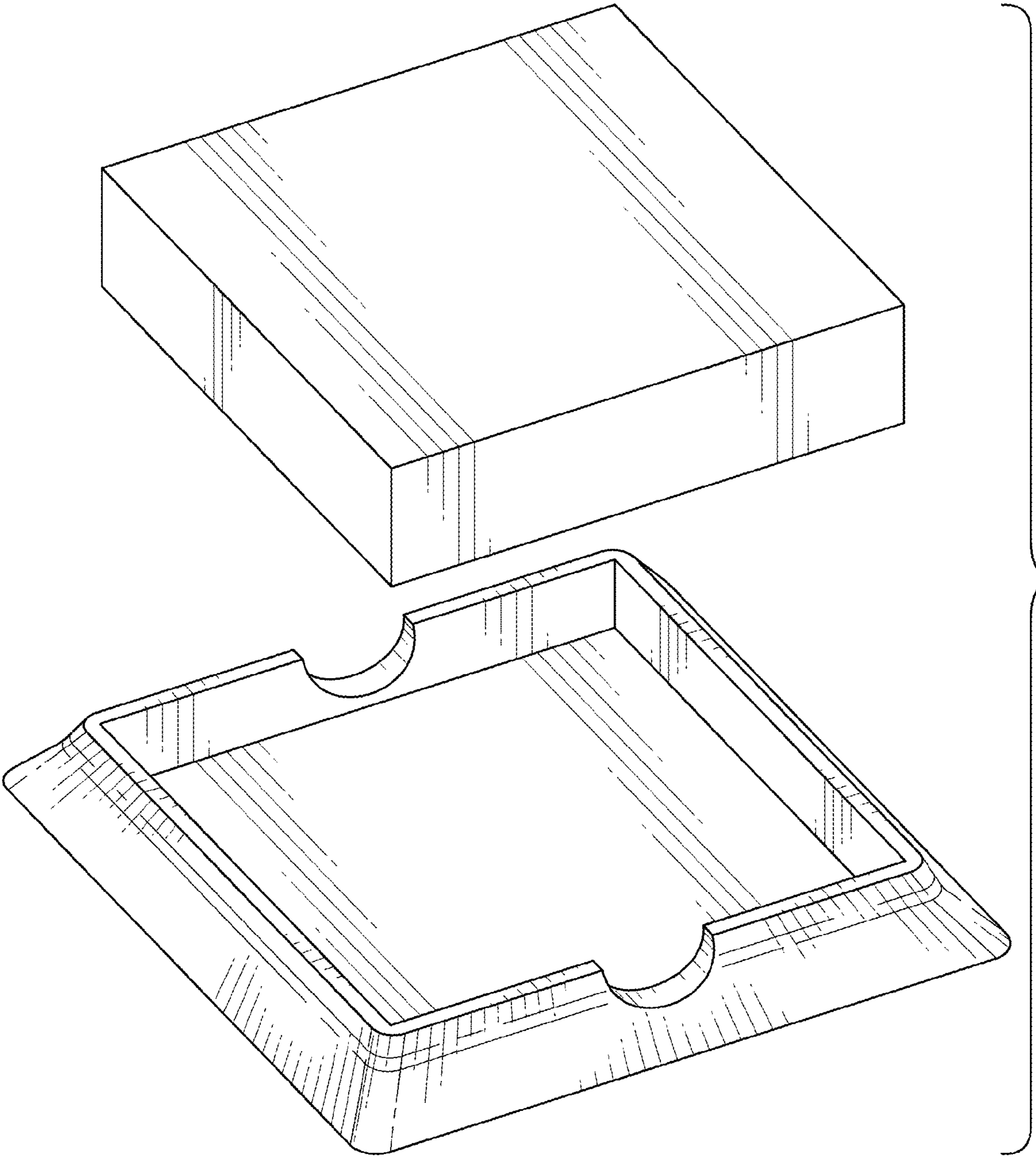


FIG. 8

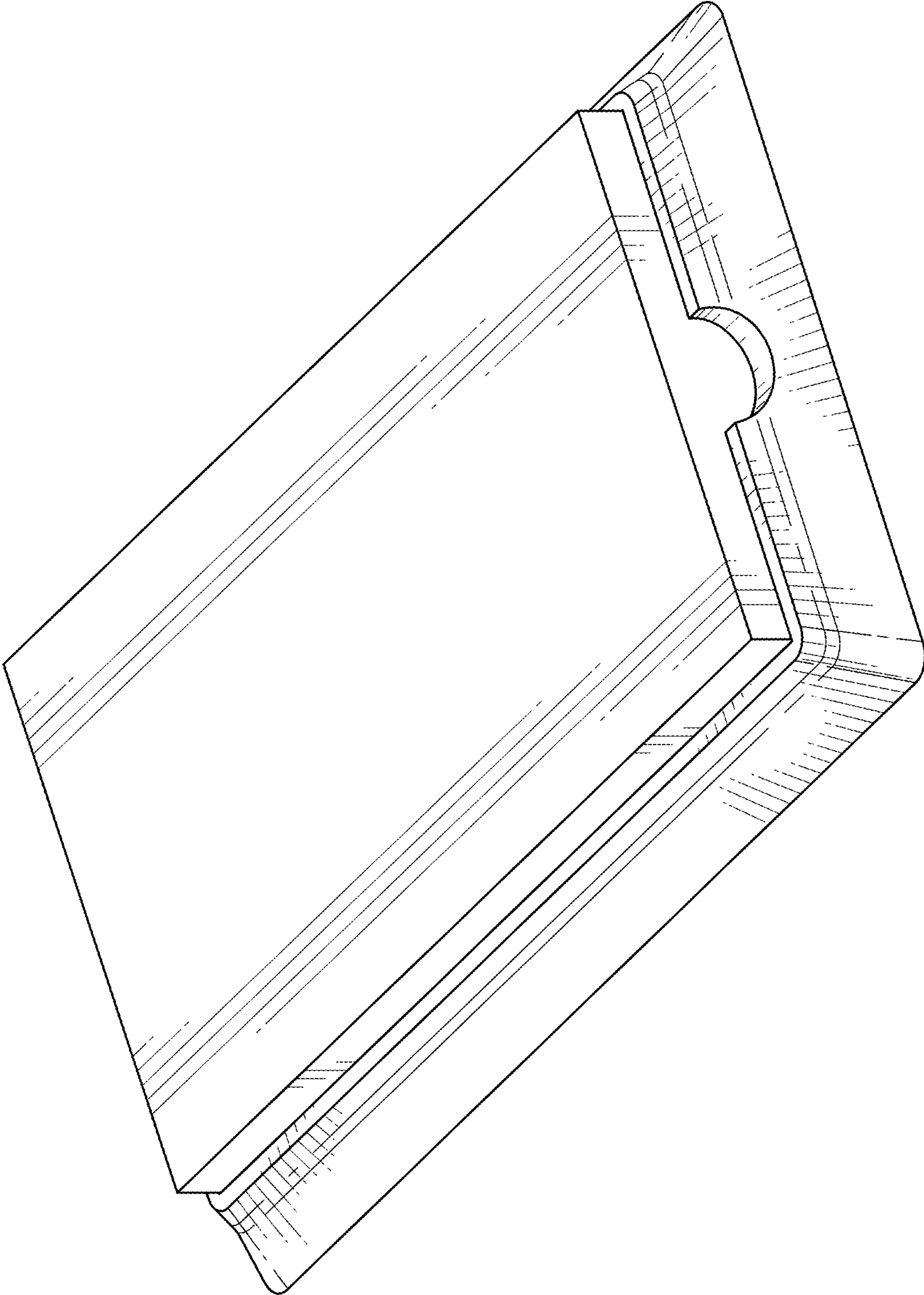


FIG. 9

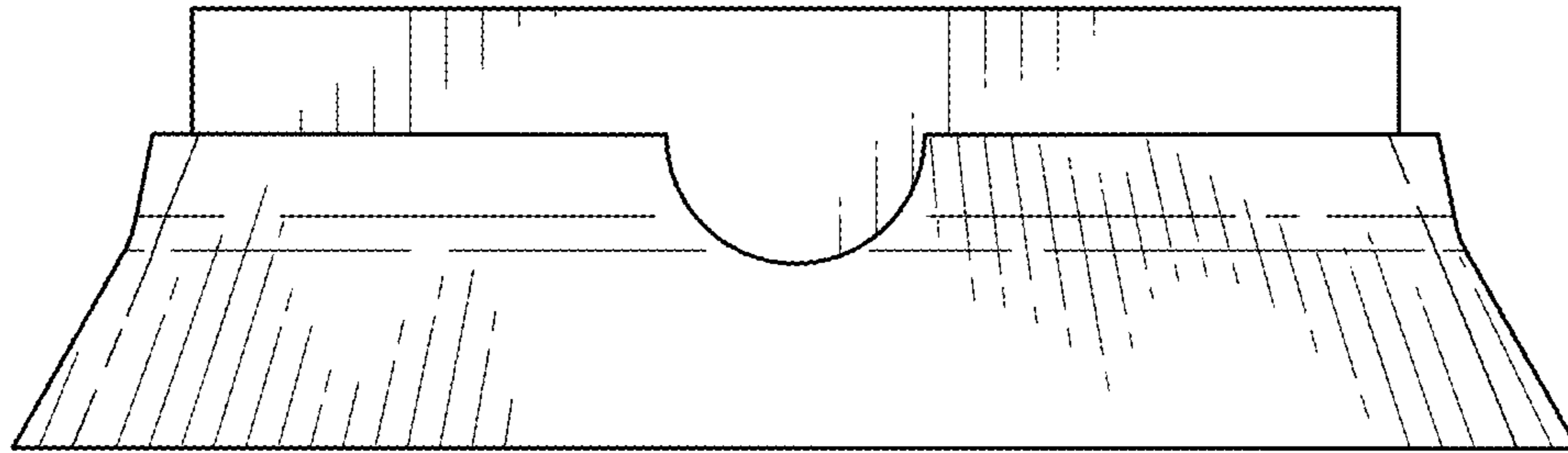


FIG. 10

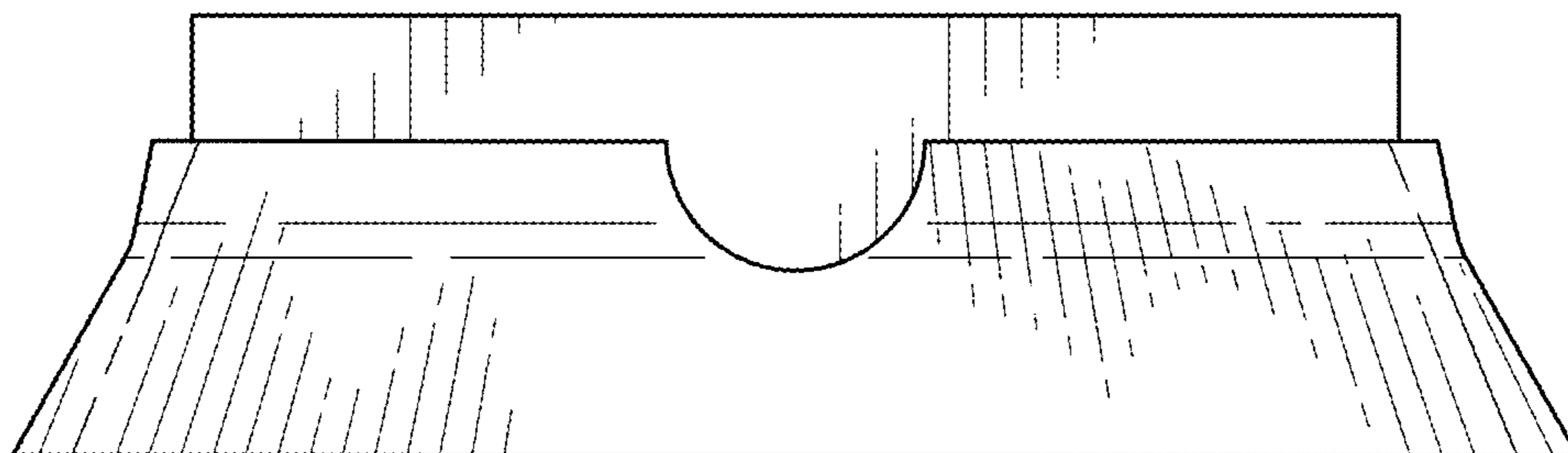


FIG. 11

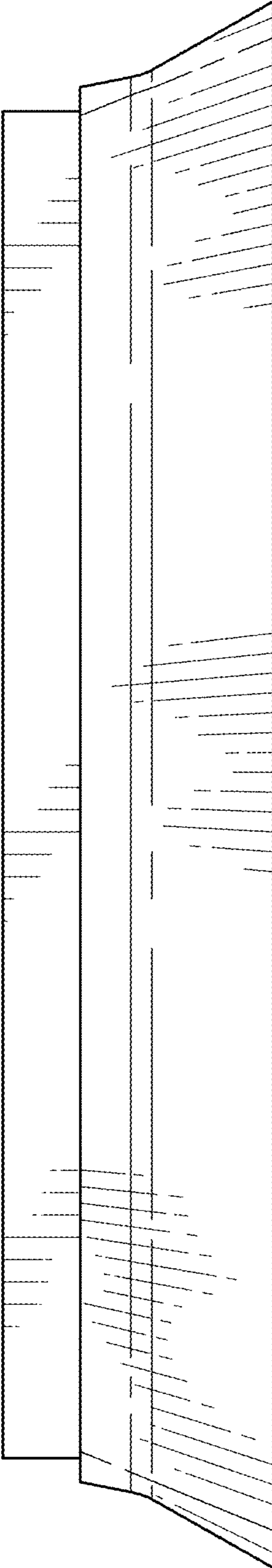


FIG. 12

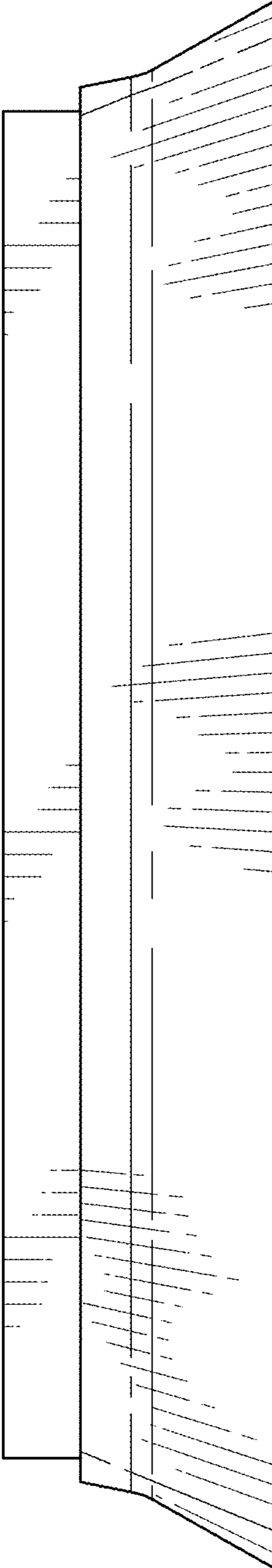


FIG. 13

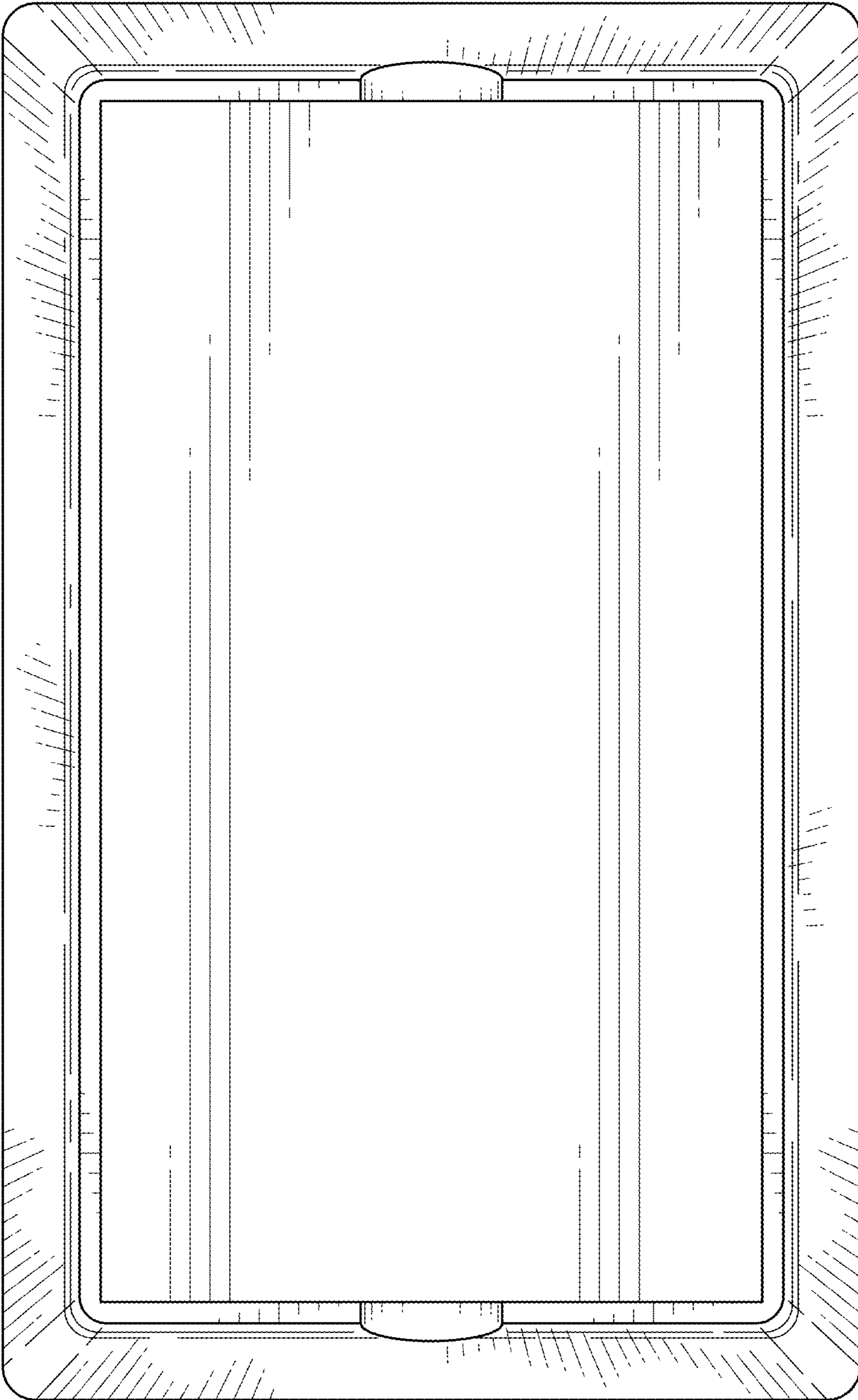


FIG. 14

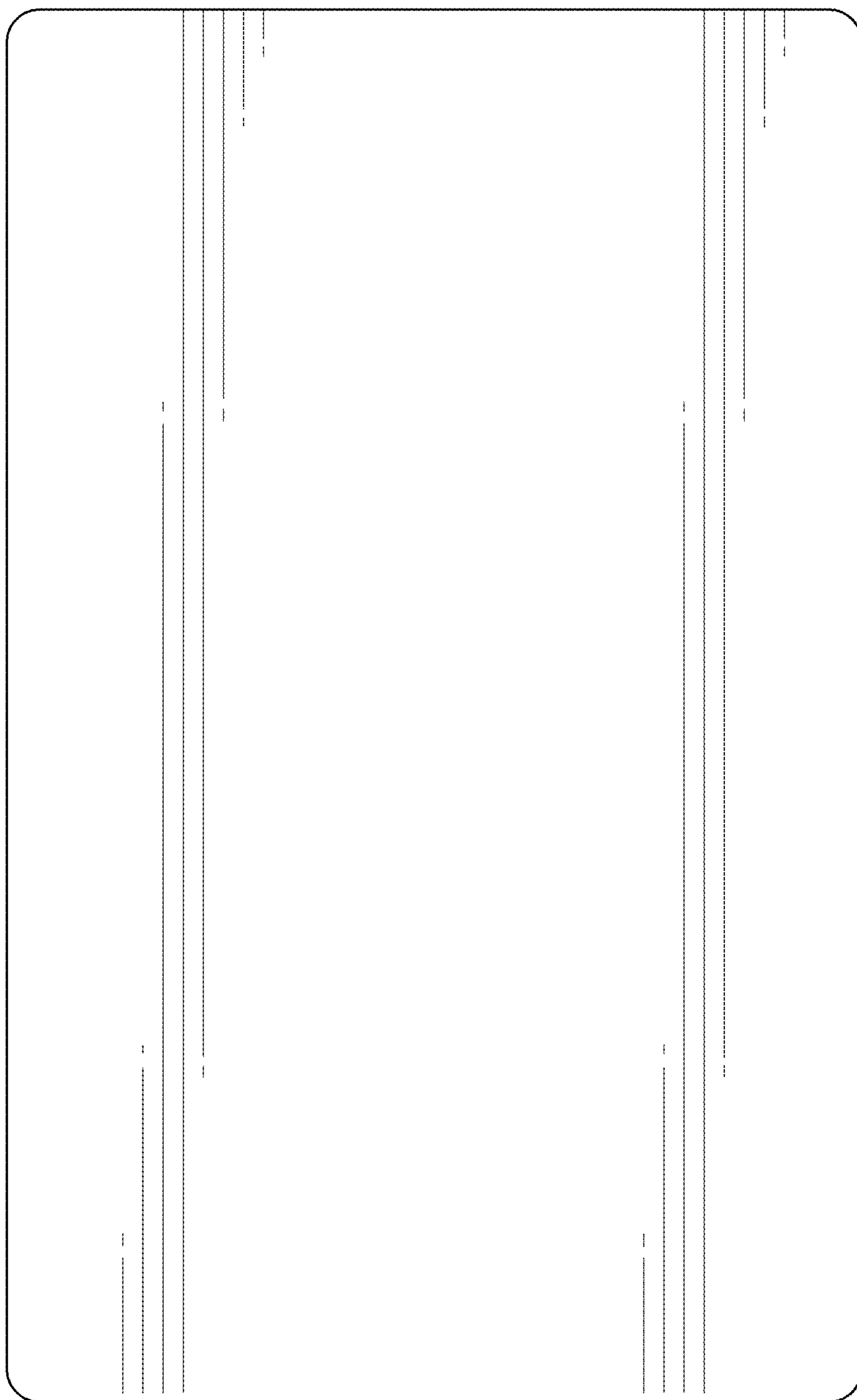


FIG. 15

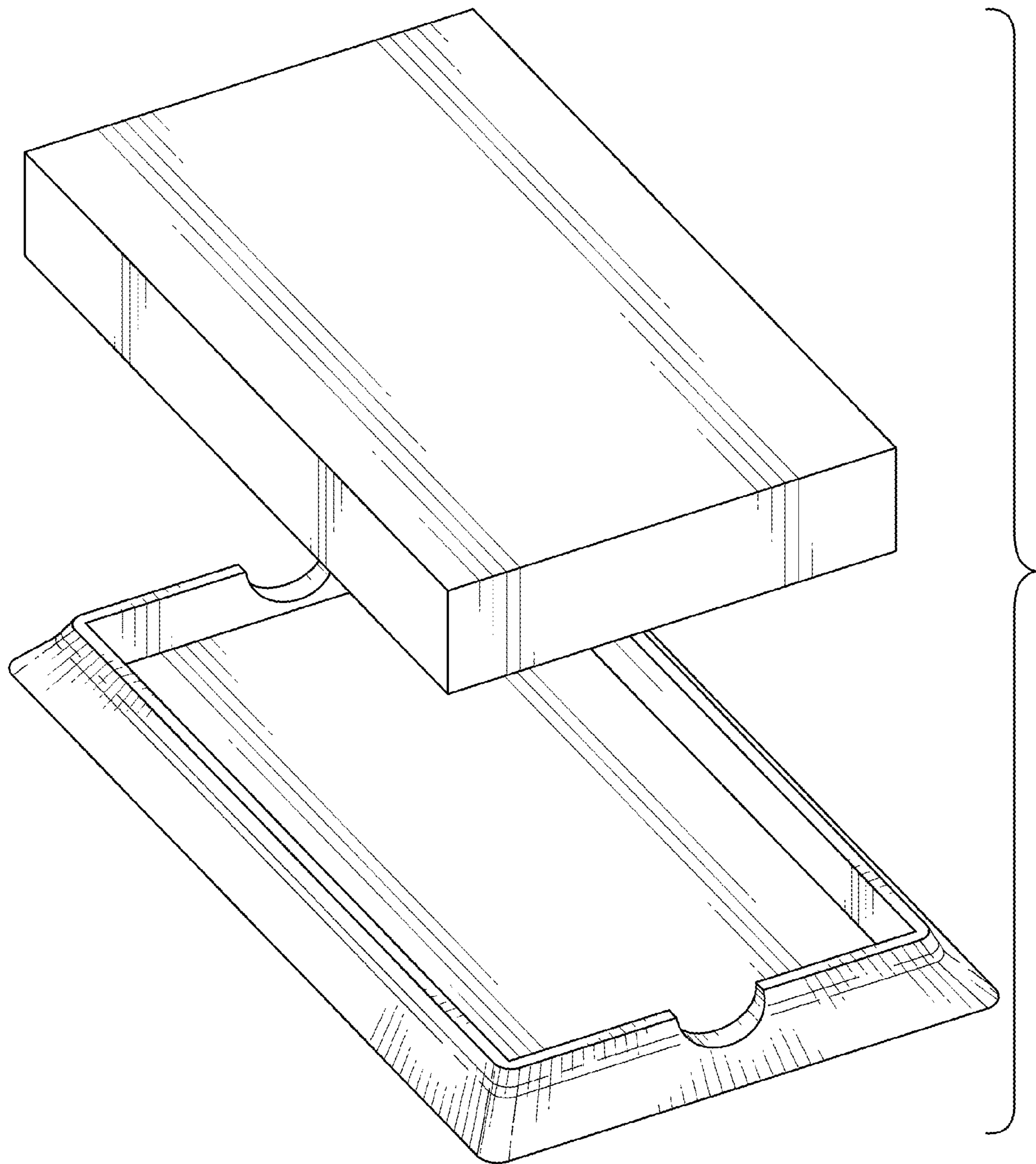


FIG. 16