



US00D876193S

(12) **United States Design Patent**
Zhao

(10) **Patent No.:** **US D876,193 S**

(45) **Date of Patent:** **** Feb. 25, 2020**

(54) **ELECTRIC SCREWDRIVER**

(71) Applicant: **Jianfeng Zhao**, Guangzhou (CN)

(72) Inventor: **Jianfeng Zhao**, Guangzhou (CN)

(**) Term: **15 Years**

(21) Appl. No.: **29/674,052**

(22) Filed: **Dec. 19, 2018**

(30) **Foreign Application Priority Data**

Aug. 15, 2018 (CN) 2018 3 0451489

(51) **LOC (12) Cl.** **08-01**

(52) **U.S. Cl.**
USPC **D8/61**

(58) **Field of Classification Search**
USPC D8/61, 62, 67, 69; 81/57, 57.11, 57.14,
81/57.26, 429, 464, 469; 173/2, 170,
173/176, 181
CPC B25B 21/00; B25B 21/02; B25B 21/008;
B25B 23/16; B25B 23/1405; A61B
17/1615
See application file for complete search history.

(56) **References Cited**

U.S. PATENT DOCUMENTS

D308,622 S * 6/1990 Fushiya D8/30
D322,205 S 12/1991 Liu

D418,729 S * 1/2000 Snider D8/61
D423,897 S * 5/2000 Cooper D8/61
D466,776 S * 12/2002 Hsiao D8/62
D474,086 S * 5/2003 Heun D8/61
6,817,424 B1 * 11/2004 Su B25F 5/02
173/216
D576,853 S * 9/2008 Aglassinger D8/61
D593,387 S * 6/2009 Liao D8/61
D647,774 S 11/2011 Okuda et al.
D755,032 S 5/2016 Martinez et al.
9,707,670 B2 * 7/2017 Hita B25F 5/00

* cited by examiner

Primary Examiner — Austin Murphy

(74) *Attorney, Agent, or Firm* — Muncy, Geissler, Olds & Lowe, P.C.

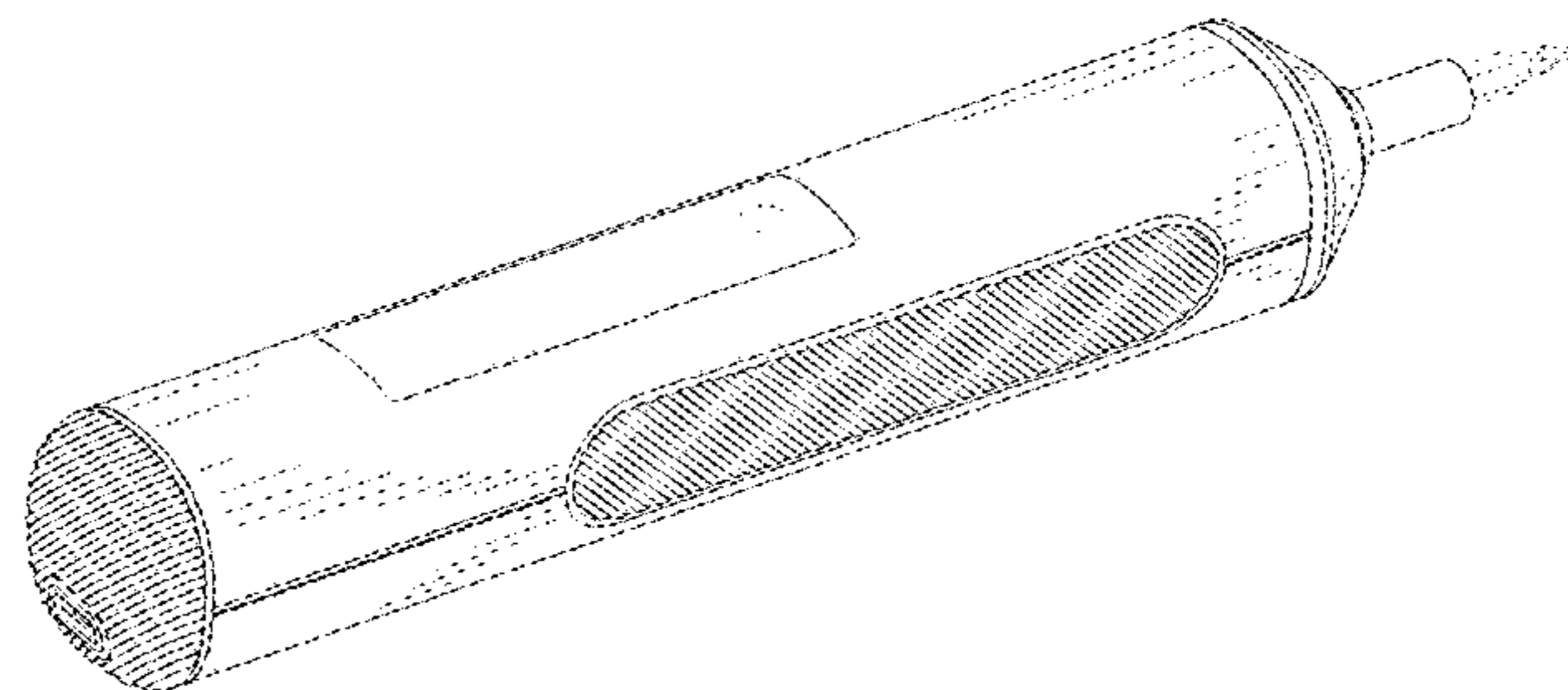
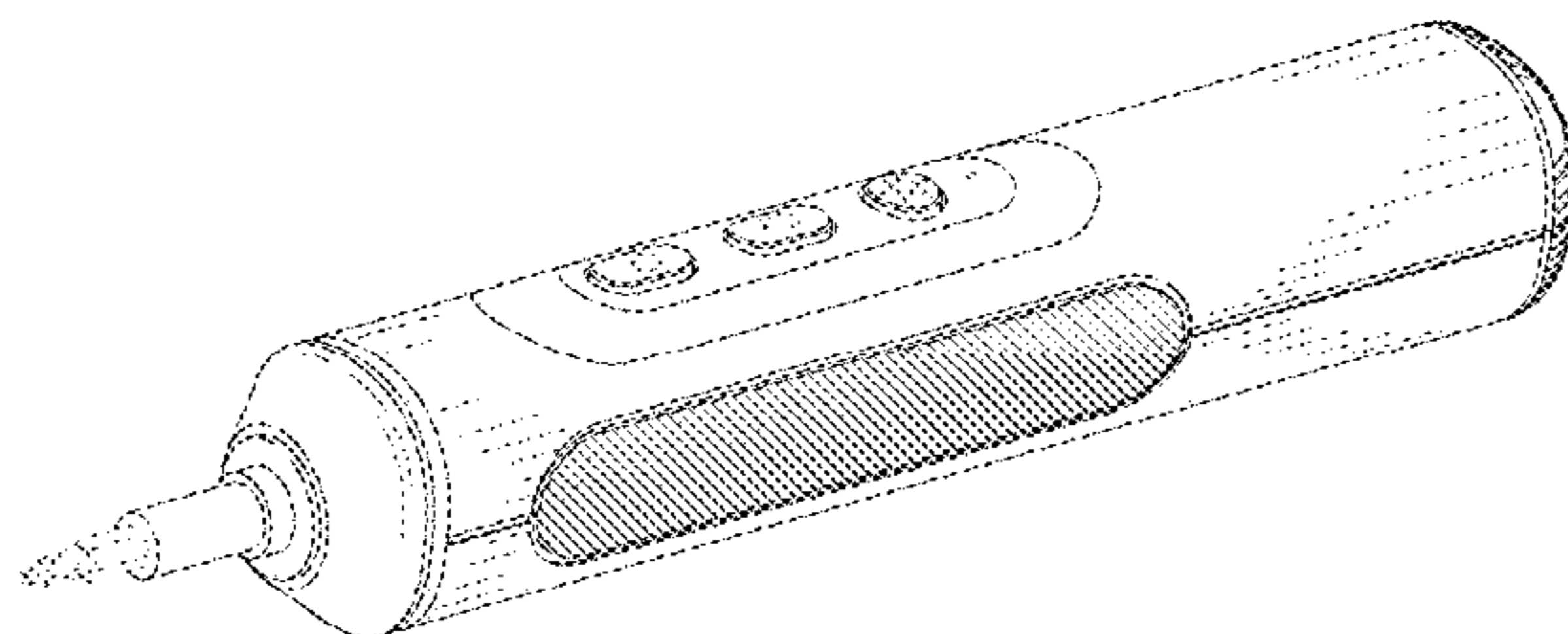
(57) **CLAIM**

The ornamental design for an electric screwdriver, as shown and described.

DESCRIPTION

FIG. 1 is a front elevation view of my ornamental design for an electric screwdriver;
FIG. 2 is a rear elevation view thereof;
FIG. 3 is a left side view thereof;
FIG. 4 is a right side view thereof;
FIG. 5 is a top plan view thereof;
FIG. 6 is a bottom plan view thereof;
FIG. 7 is a perspective view thereof; and,
FIG. 8 is a further perspective view thereof, at its bottom side.

1 Claim, 5 Drawing Sheets



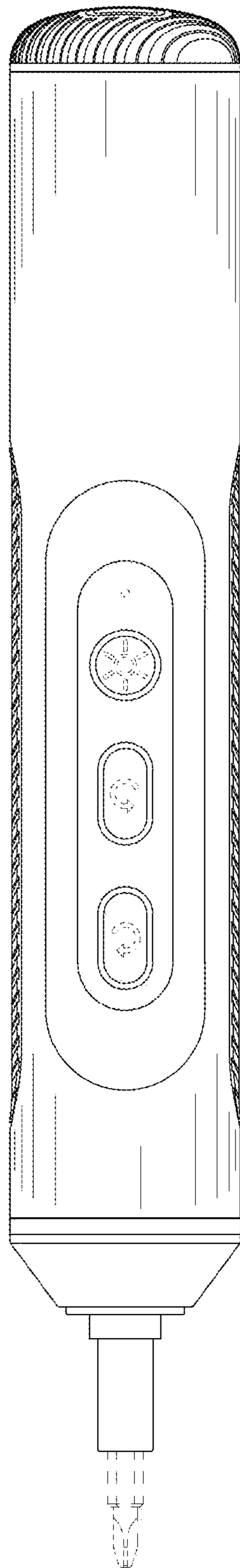


Fig. 1

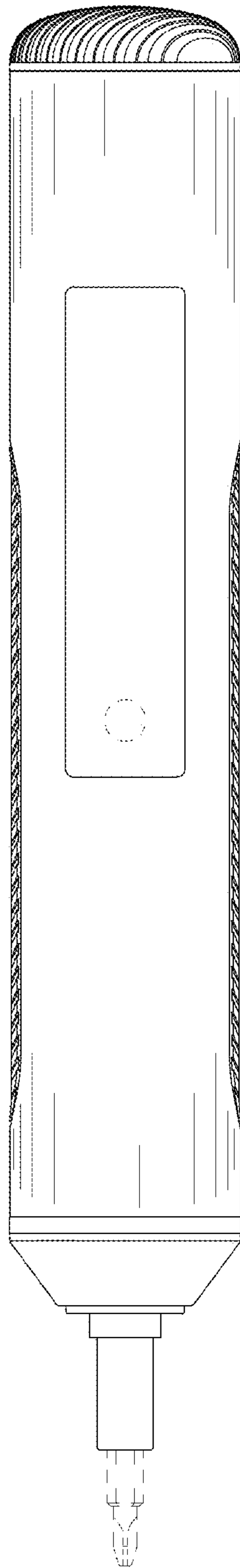


Fig. 2

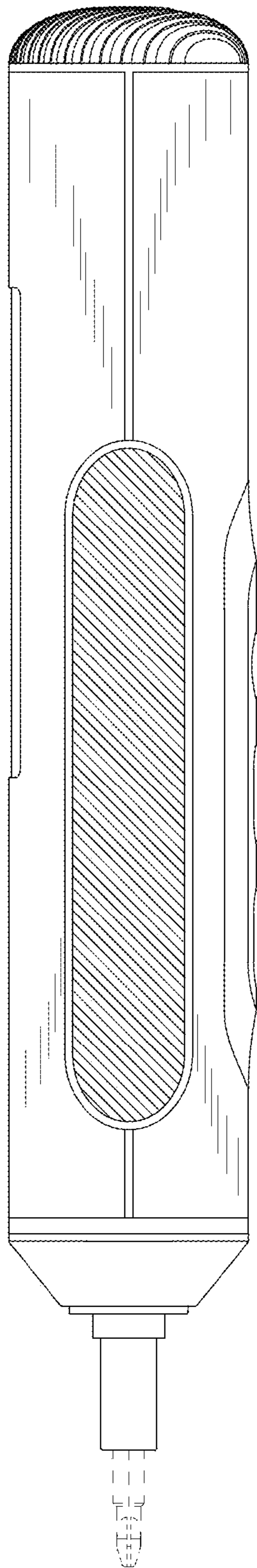


Fig. 3

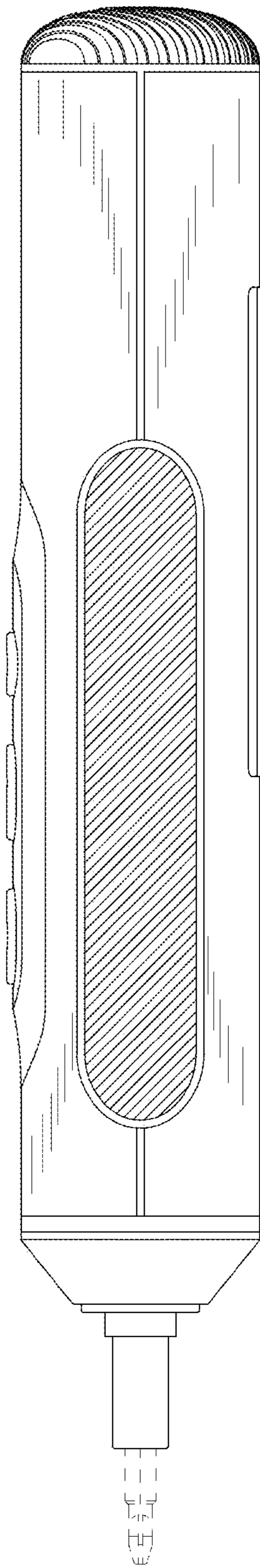


Fig. 4

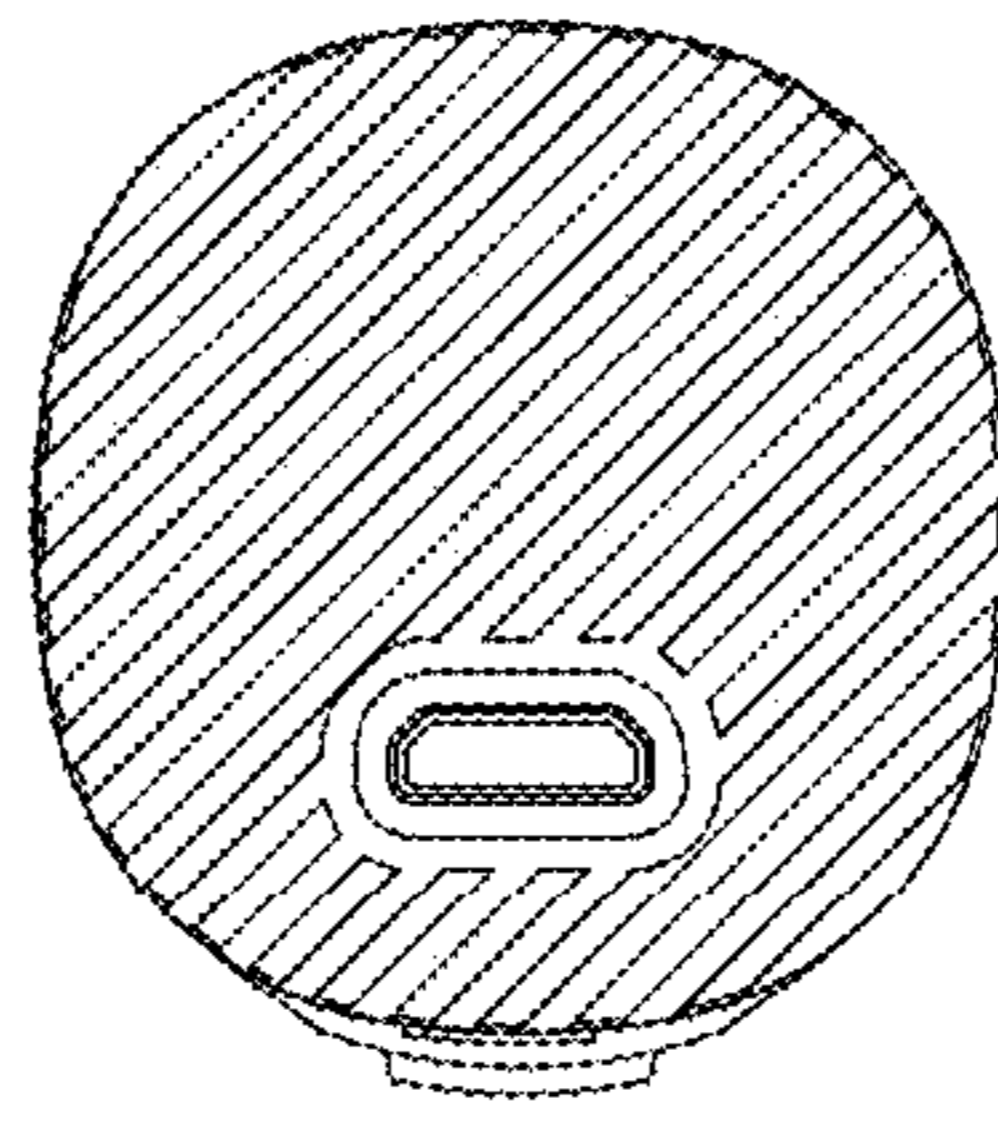


Fig. 5

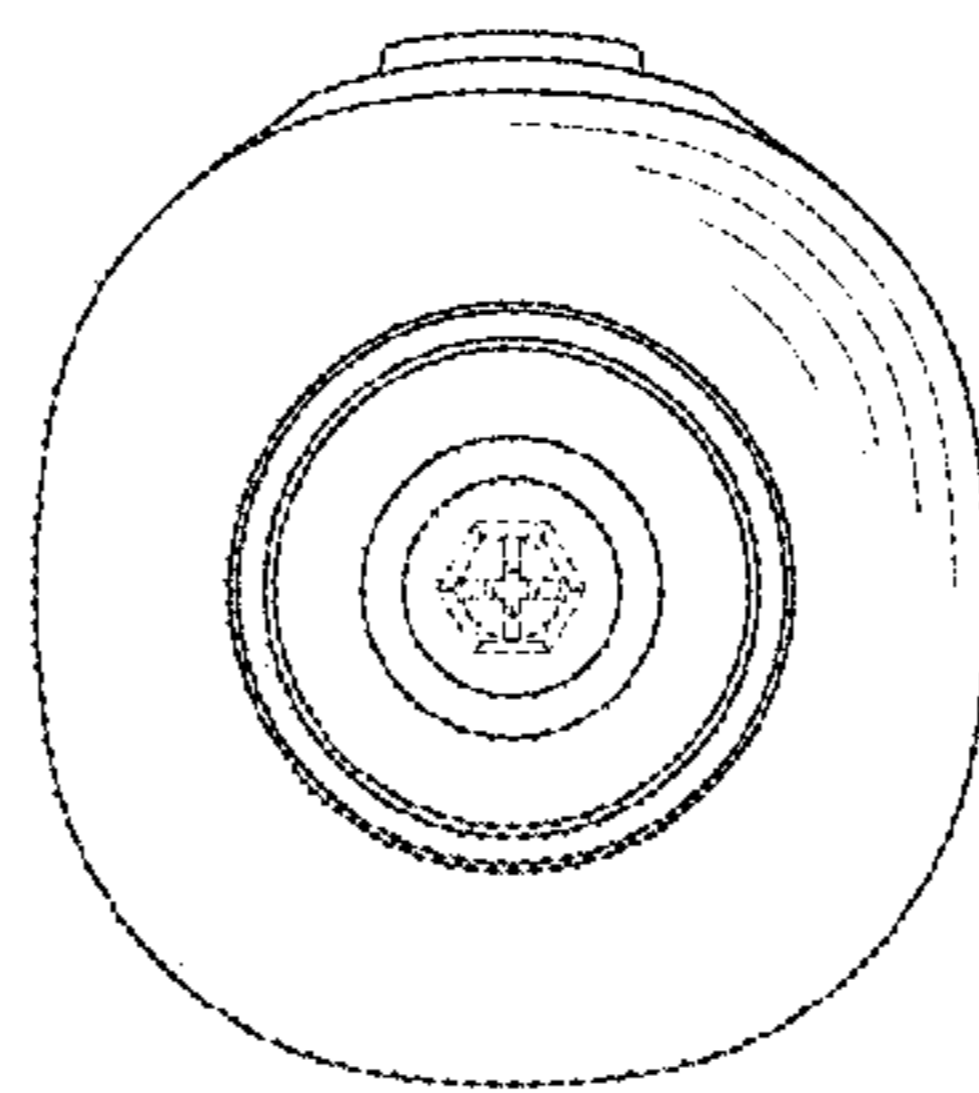


Fig. 6

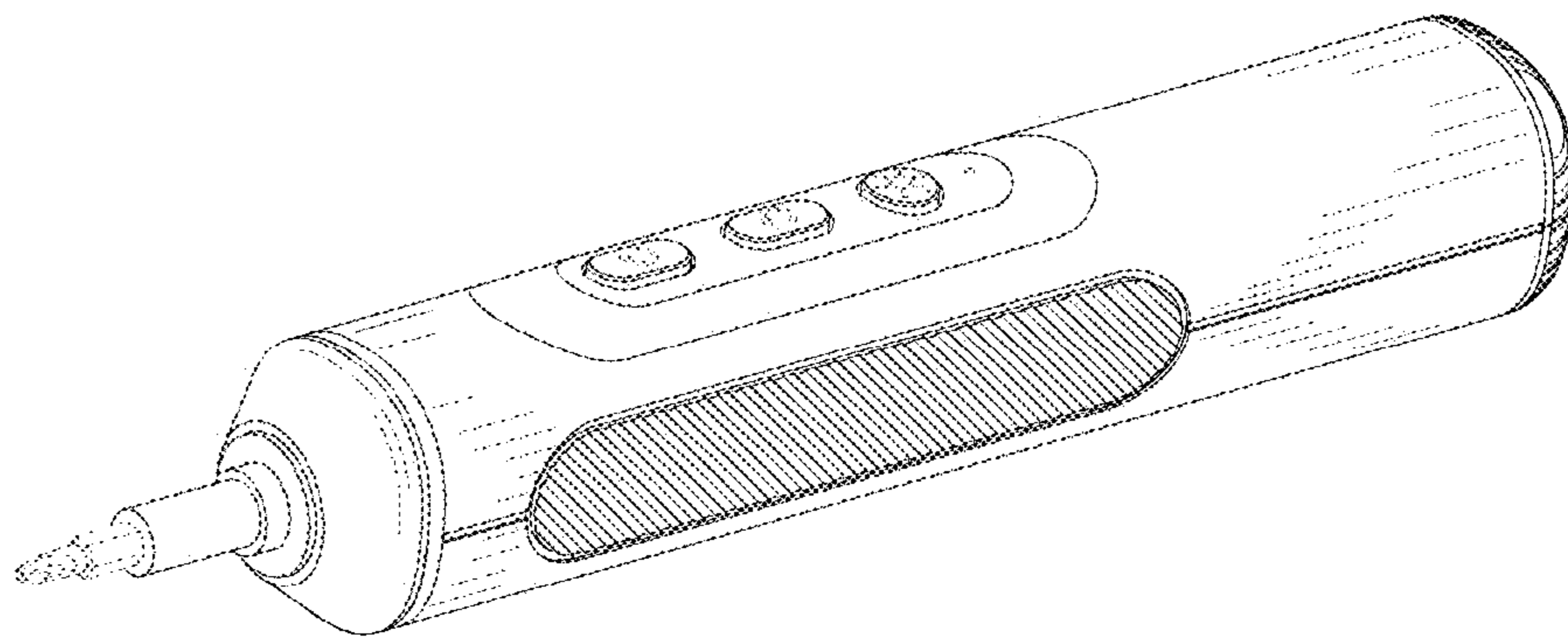


Fig. 7

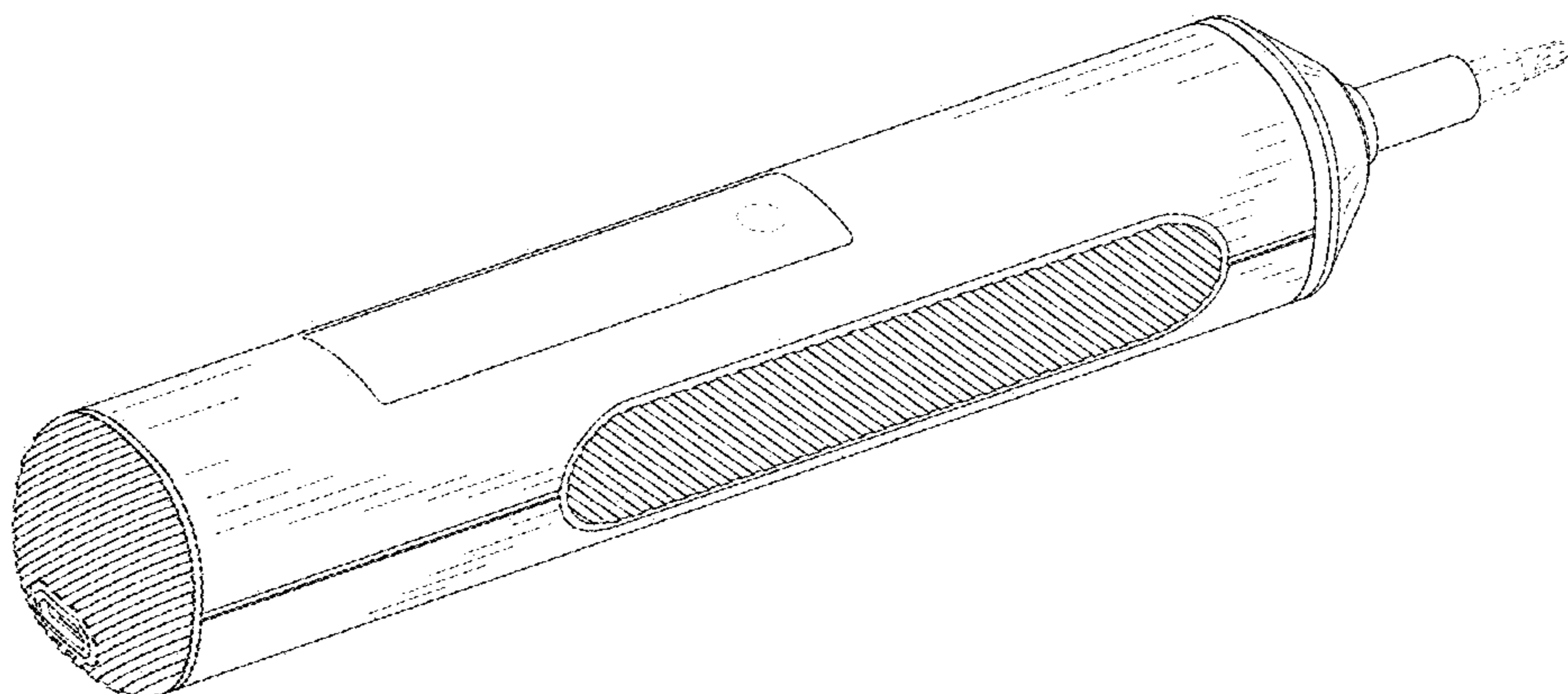


Fig. 8