



US00D876189S

(12) **United States Design Patent** (10) **Patent No.:** **US D876,189 S**
Boye et al. (45) **Date of Patent:** **** Feb. 25, 2020**

(54) **DEEP CLEANING ALIGNMENT TOOL**

(71) Applicant: **Precision Iceblast Corporation,**
Peshtigo, WI (US)

(72) Inventors: **Keith R. Boye,** Hobart, WI (US);
Matthew D. Peterson, Green Bay, WI
(US)

(73) Assignee: **Precision Iceblast Corporation,**
Peshtigo, WI (US)

(**) Term: **15 Years**

(21) Appl. No.: **29/629,074**

(22) Filed: **Dec. 11, 2017**

(51) **LOC (12) Cl.** **08-05**

(52) **U.S. Cl.**
USPC **D8/14; D8/47**

(58) **Field of Classification Search**
USPC D8/14, 17, 47, 88, 89, 107, 349; D32/46,
D32/49

CPC F16B 43/009; E06B 1/6069; F22B 37/483
See application file for complete search history.

(56) **References Cited**

U.S. PATENT DOCUMENTS

2,112,896	A	4/1938	Husband	
D266,054	S *	9/1982	Goodman	292/343
4,827,953	A *	5/1989	Lee	F22B 37/483 122/392
4,831,969	A	5/1989	Vollhardt et al.	
D329,256	S *	9/1992	Nakajima	D20/9
5,194,217	A *	3/1993	St. Louis	F22B 37/483 122/382
5,237,718	A	8/1993	Brown	
5,290,012	A *	3/1994	Cottriel	B66F 19/00 144/195.7
5,555,851	A *	9/1996	Vandenberg	F22B 37/483 122/384

5,570,660	A *	11/1996	Vandenberg	F22B 37/483 122/379
5,572,957	A *	11/1996	Vandenberg	F22B 37/483 122/329
D426,757	S *	6/2000	McGrellis	D32/46
D590,676	S *	4/2009	Pickard	B65H 3/322 D8/47
8,002,902	B2	8/2011	Krowech	
D663,591	S *	7/2012	Madren	D7/688
D664,318	S *	7/2012	Thompson	D32/46
D664,319	S *	7/2012	Thompson	D32/46
8,238,510	B2 *	8/2012	Haberman	F22B 37/486 376/316
D677,847	S *	3/2013	Thompson	D32/46
8,741,068	B2 *	6/2014	Thompson	A47L 17/06 134/6

(Continued)

OTHER PUBLICATIONS

International Search Report and Written Opinion of PCT/US2018/63295 dated Feb. 14, 2019 (15 pages).

Primary Examiner — Philip S Hyder

(74) *Attorney, Agent, or Firm* — Boyle Fredrickson S.C.

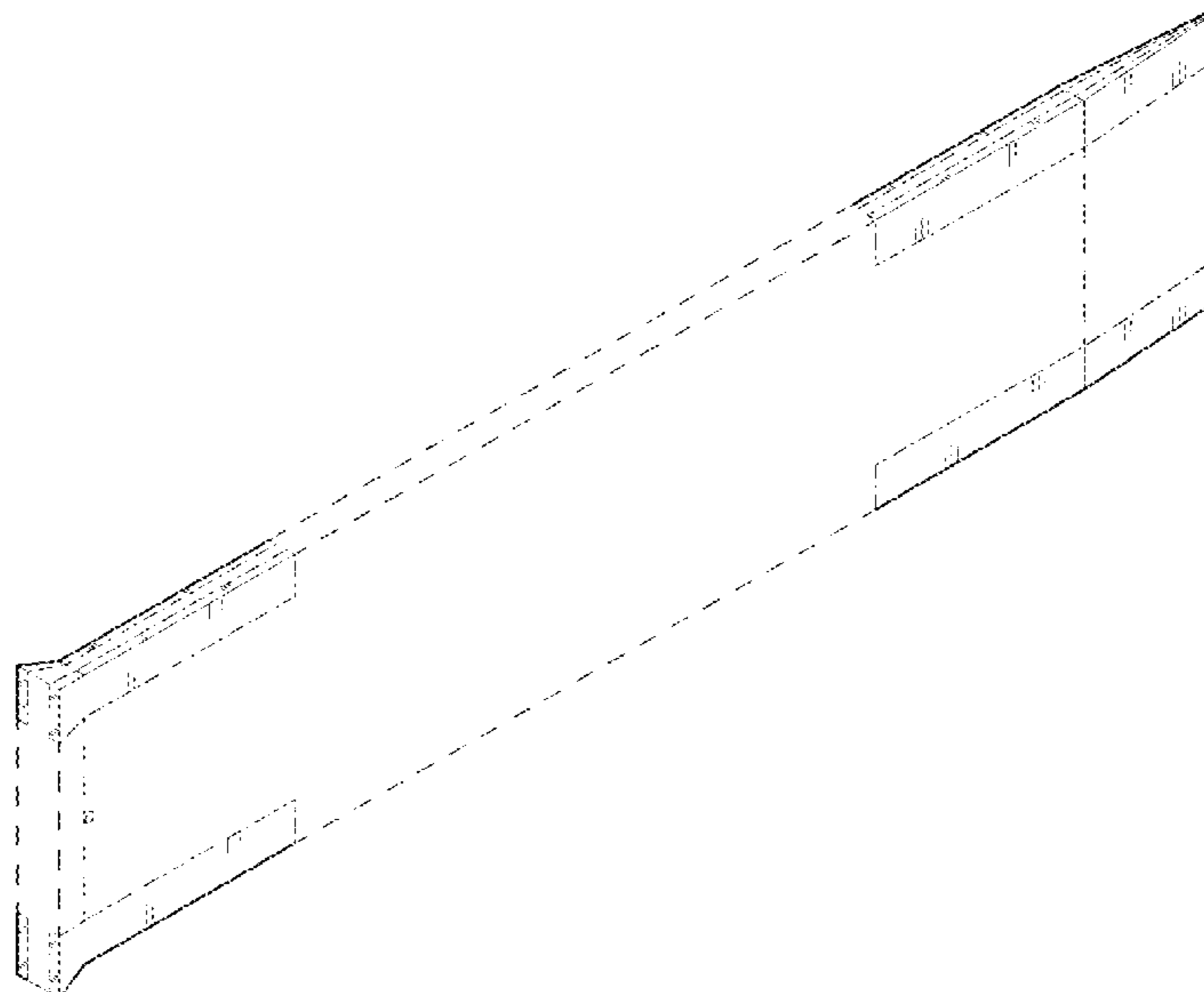
(57) **CLAIM**

The ornamental design for a deep cleaning alignment tool, as shown and described.

DESCRIPTION

FIG. 1 is a perspective view of a deep cleaning alignment tool, showing our new design; FIG. 2 is a top plan view thereof; FIG. 3 is a side elevation view thereof; FIG. 4 is a front elevation view thereof; and, FIG. 5 is a rear elevation view thereof. The uneven broken lines define the boundaries of the claim. The even broken line illustrate portions of the deep cleaning alignment tool in which the design is embodied the form no part of the claimed design.

1 Claim, 3 Drawing Sheets



(56)

References Cited

U.S. PATENT DOCUMENTS

8,752,511 B2 *	6/2014	Hawkins	F22B 37/003 122/379
8,757,104 B2 *	6/2014	Hawkins	F22B 37/003 122/379
8,800,499 B2 *	8/2014	Hawkins	F22B 37/003 122/379
8,800,500 B2 *	8/2014	Hawkins	F22B 37/003 122/379
D720,588 S *	1/2015	Pugh	D8/47
2004/0129388 A1	7/2004	Brazil		
2011/0088265 A1 *	4/2011	Madren	A47J 43/288 30/169
2012/0031350 A1	2/2012	Zhang et al.		
2016/0116158 A1 *	4/2016	Krowech	F22B 37/54 15/104.04

* cited by examiner

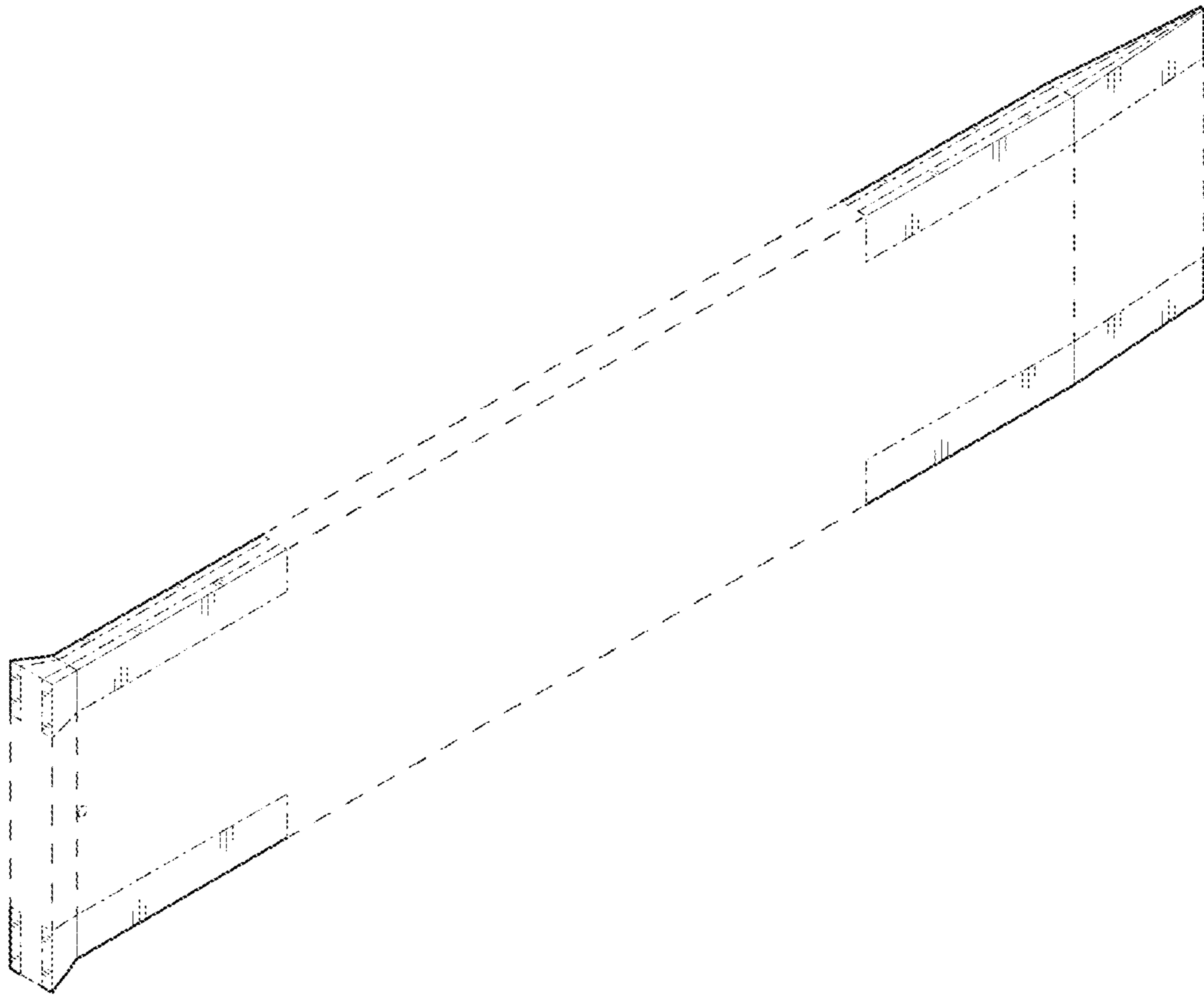


Fig. 1

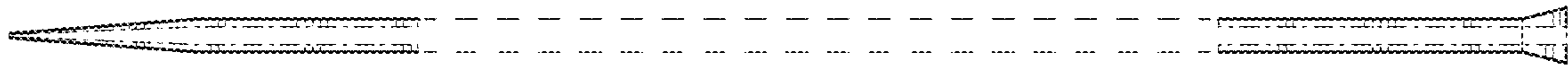


Fig. 2

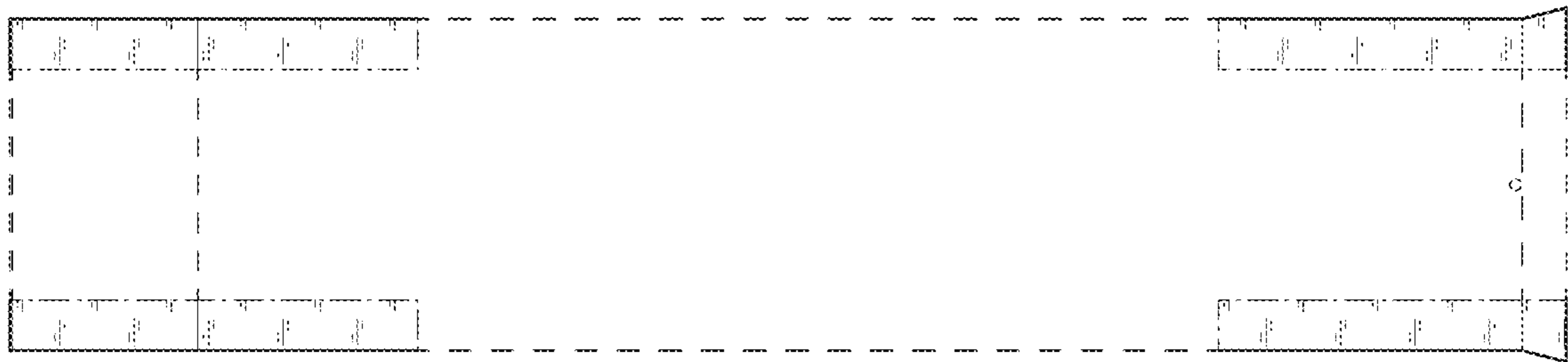


Fig. 3

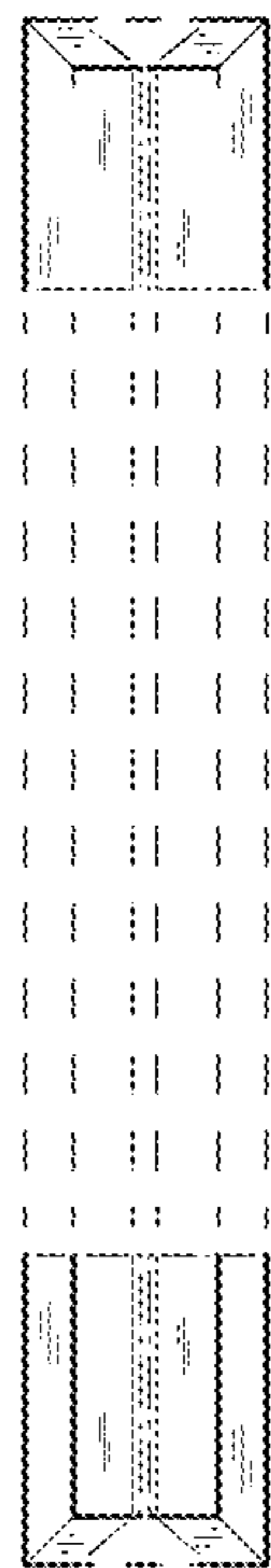


Fig. 4

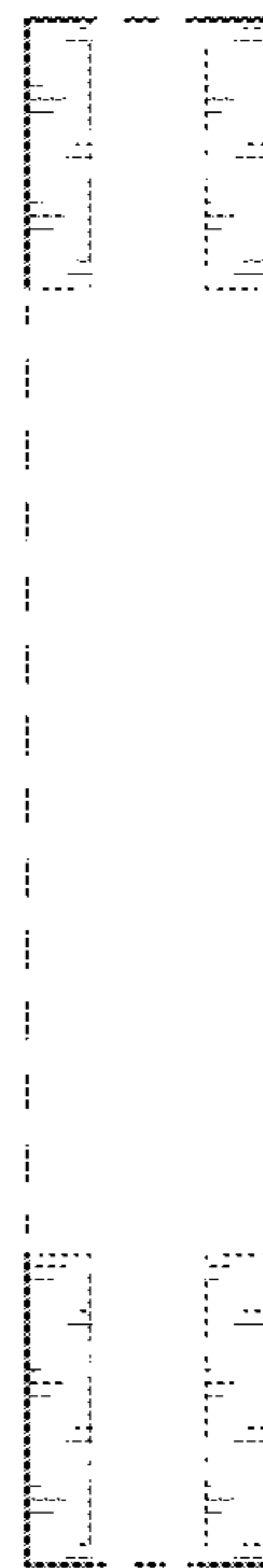


Fig. 5