



US00D876186S

(12) **United States Design Patent** (10) **Patent No.:** **US D876,186 S**
Marantis et al. (45) **Date of Patent:** **** Feb. 25, 2020**

- (54) **FUNNEL FOR BOTTLE CAP**
- (71) Applicant: **CORNERSTONE CM, INC.**, Poland, OH (US)
- (72) Inventors: **Michael G. Marantis**, Poland, OH (US); **Richard A. Ponton**, New Milford, CT (US); **Joshua W. Hubbard**, New Milford, CT (US); **Jonathan P. Richards**, Derby, CT (US)
- (73) Assignee: **CORNERSTONE CM, INC.**, Poland, OH (US)
- (**) Term: **15 Years**
- (21) Appl. No.: **29/659,047**
- (22) Filed: **Aug. 6, 2018**

Related U.S. Application Data

- (63) Continuation-in-part of application No. 29/591,655, filed on Jan. 23, 2017, now Pat. No. Des. 829,065.
- (51) **LOC (12) Cl.** **07-99**
- (52) **U.S. Cl.**
USPC **D7/700**; D9/447
- (58) **Field of Classification Search**
USPC D7/392, 392.1, 396.2, 397, 398, 619.1, D7/620, 700; D9/434-436, 454, 499, D9/516, 715-719, 440, 443, 446-448, D9/521; D23/260, 269, 390
CPC B65D 1/0246; B65D 1/0223; B67C 9/00; B67C 11/00
See application file for complete search history.

(56) **References Cited**

U.S. PATENT DOCUMENTS

- D126,200 S 12/1939 Eisenberg
- D205,678 S * 9/1966 Williams 141/340
- D229,735 S 1/1974 Croyle

- D301,731 S 6/1989 Allen
 - D307,115 S * 4/1990 Waymack D9/447
 - D396,006 S 7/1998 Harris
 - D423,307 S * 4/2000 Dittmann, Jr. D7/700
 - D433,332 S * 11/2000 Weber D9/434
- (Continued)

OTHER PUBLICATIONS

CP Lab Safety, ECO Funnels. 2017 (earliest online date), [site visited Dec. 21, 2017]; available from Internet, URL:<https://www.calpaclab.com/eco-funnels/>>. Year: 2017.
(Continued)

Primary Examiner — Darcey E Gottschalk
(74) *Attorney, Agent, or Firm* — Tucker Ellis LLP; Carlos Garritano

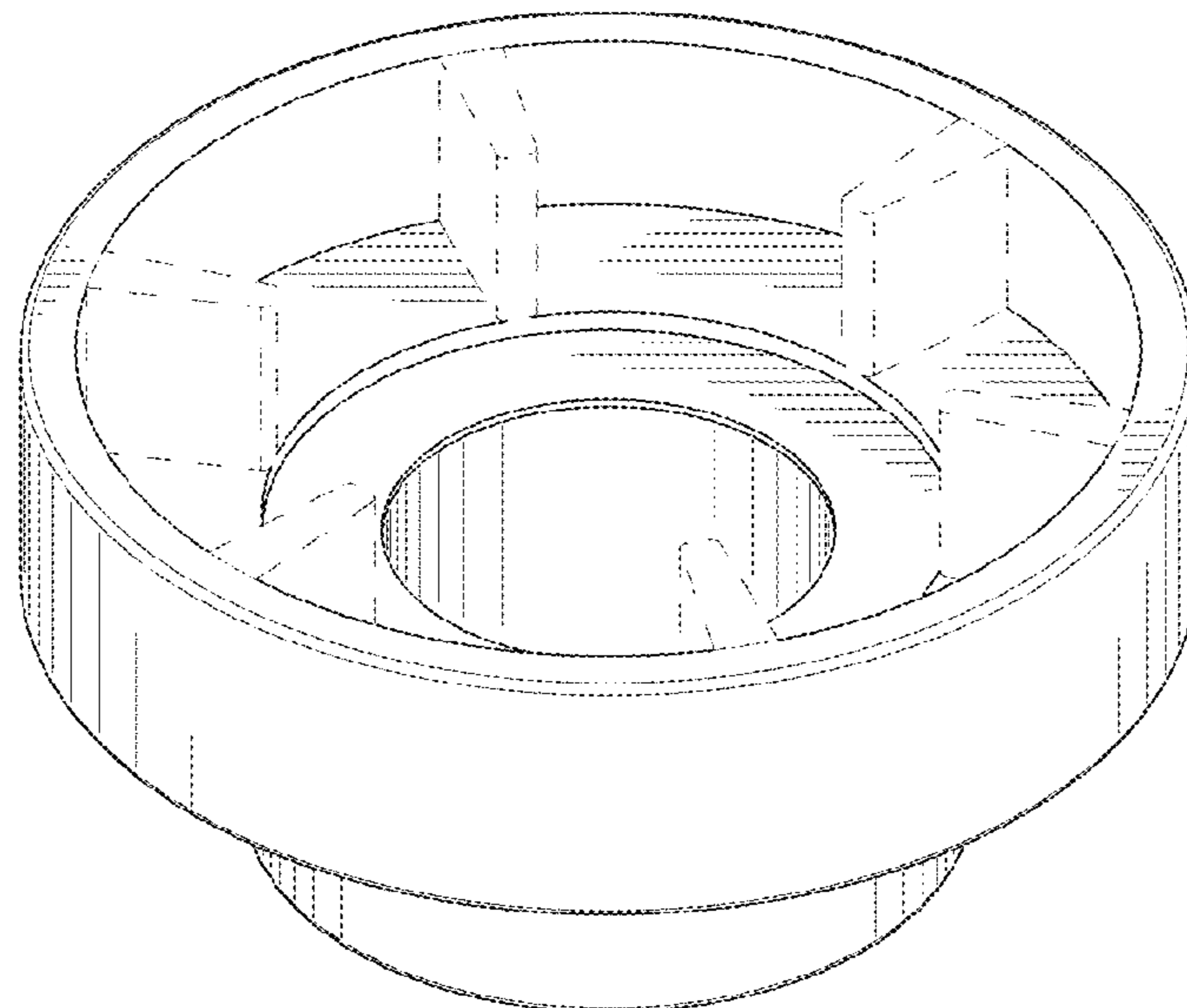
(57) **CLAIM**

The ornamental design for a funnel for bottle cap, as shown and described.

DESCRIPTION

FIG. 1 is a top front perspective view of a funnel for bottle cap showing our new design;
FIG. 2 is a front view of the funnel illustrated in FIG. 1;
FIG. 3 is rear view of the funnel illustrated in FIG. 1;
FIG. 4 is a top view of the funnel illustrated in FIG. 1;
FIG. 5 is a bottom view of the funnel illustrated in FIG. 1;
FIG. 6 is a left side view of the funnel illustrated in FIG. 1;
FIG. 7 is a right side view of the funnel illustrated in FIGS. 1; and,
FIG. 8 is a cross-sectional view of the funnel for bottle cap illustrated in FIG. 4.
The broken lines are shown for the purpose of illustrating parts of the funnel for bottle cap that form no part of the claimed design.
The dash-dot-dash broken lines in the drawings depict the boundaries of the claimed design.

1 Claim, 5 Drawing Sheets



(56)

References Cited

U.S. PATENT DOCUMENTS

D447,410	S	*	9/2001	Malmborg	D9/434
D513,549	S	*	1/2006	Schuster	D34/1
D527,219	S	*	8/2006	Trombly	D7/392.1
D547,657	S	*	7/2007	Tacchella	D9/454
D589,764	S	*	4/2009	Randolph	D7/700
D612,197	S	*	3/2010	Chan	D7/392.1
D637,080	S		5/2011	Brooks		
D654,152	S		2/2012	Schulz		
D681,460	S		5/2013	Kim		
D713,247	S		9/2014	Webster		
D716,653	S	*	11/2014	Balembois	D9/435
D718,136	S	*	11/2014	Harrity	D9/499
D732,140	S		6/2015	Tempel		
D738,210	S	*	9/2015	Tanner	D9/440
D744,335	S	*	12/2015	Rigollet	D9/436
D753,489	S	*	4/2016	Shaw	D9/454
D757,547	S	*	5/2016	Biswas	D9/454
D770,281	S		11/2016	Kim		
D772,025	S	*	11/2016	Salzl	D7/700
D774,630	S		12/2016	Mehari		
D792,563	S		7/2017	Coronado		
D829,065	S	*	9/2018	Marantis	D7/700

OTHER PUBLICATIONS

Grainger; Funnel Threaded Adapter; 2017; Fleet and vehicle maintenance; Copyright 1994—2017 W.W. Grainger, Inc. All Rights Reserved; 3 pages.

* cited by examiner

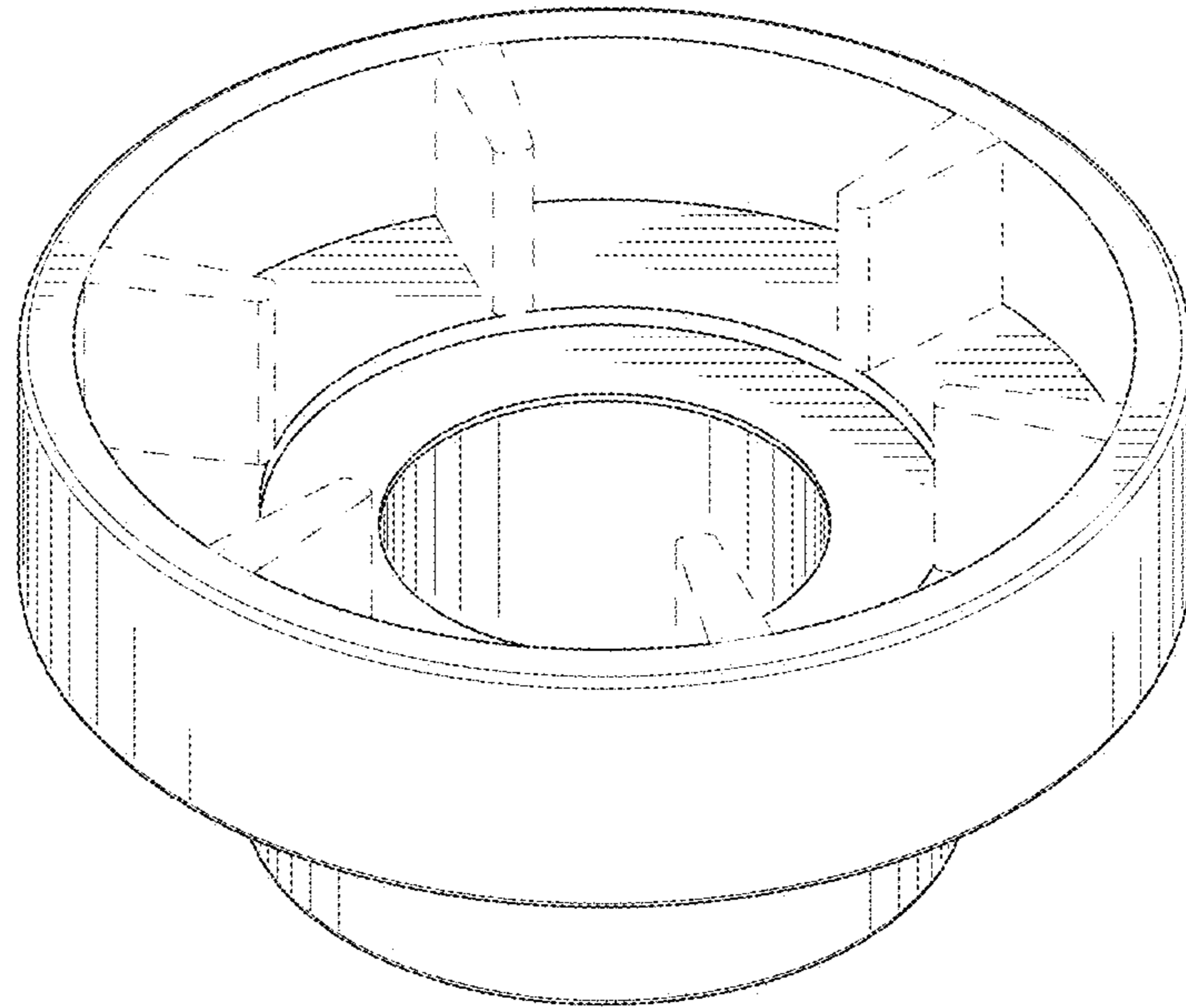


FIG. 1

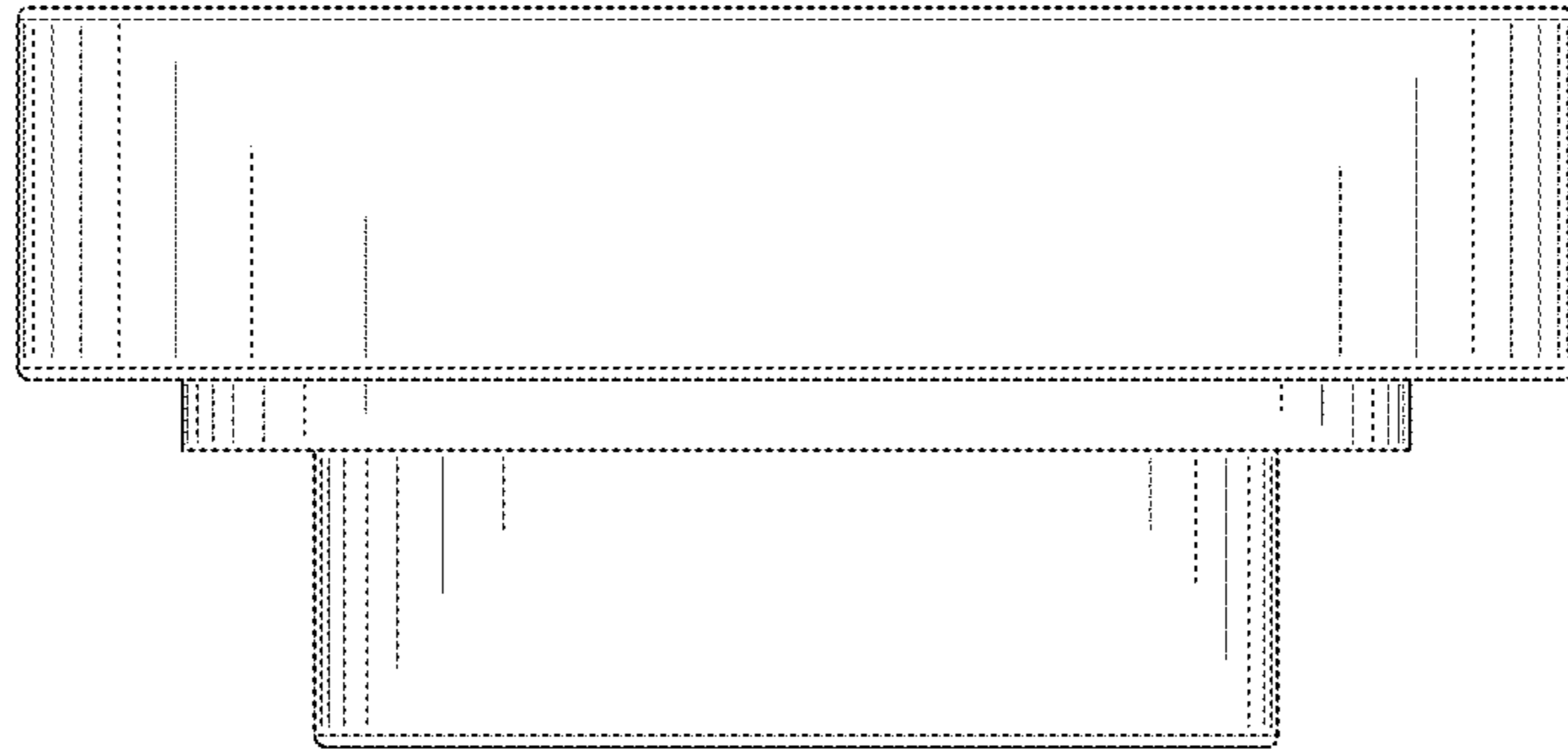


FIG. 2

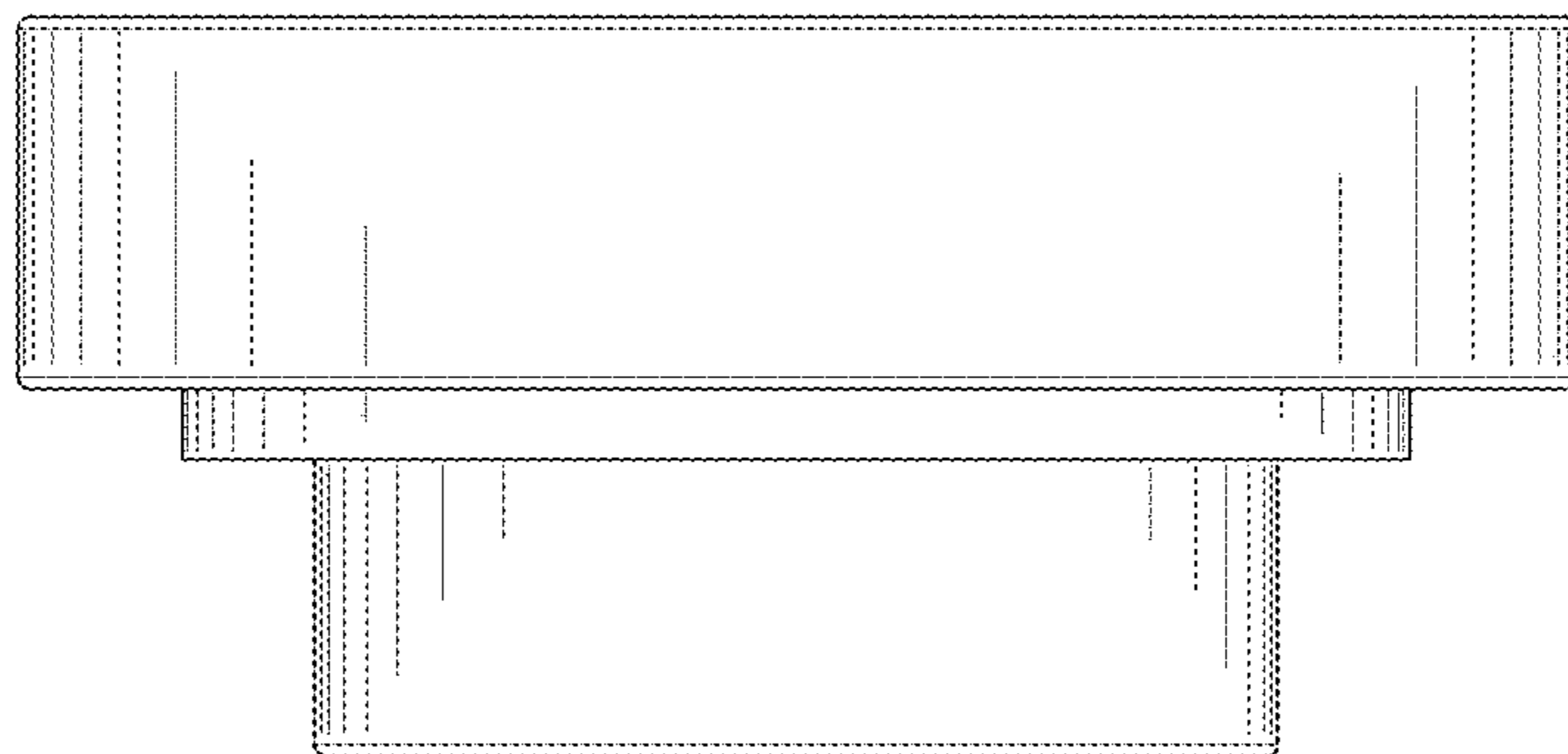


FIG. 3

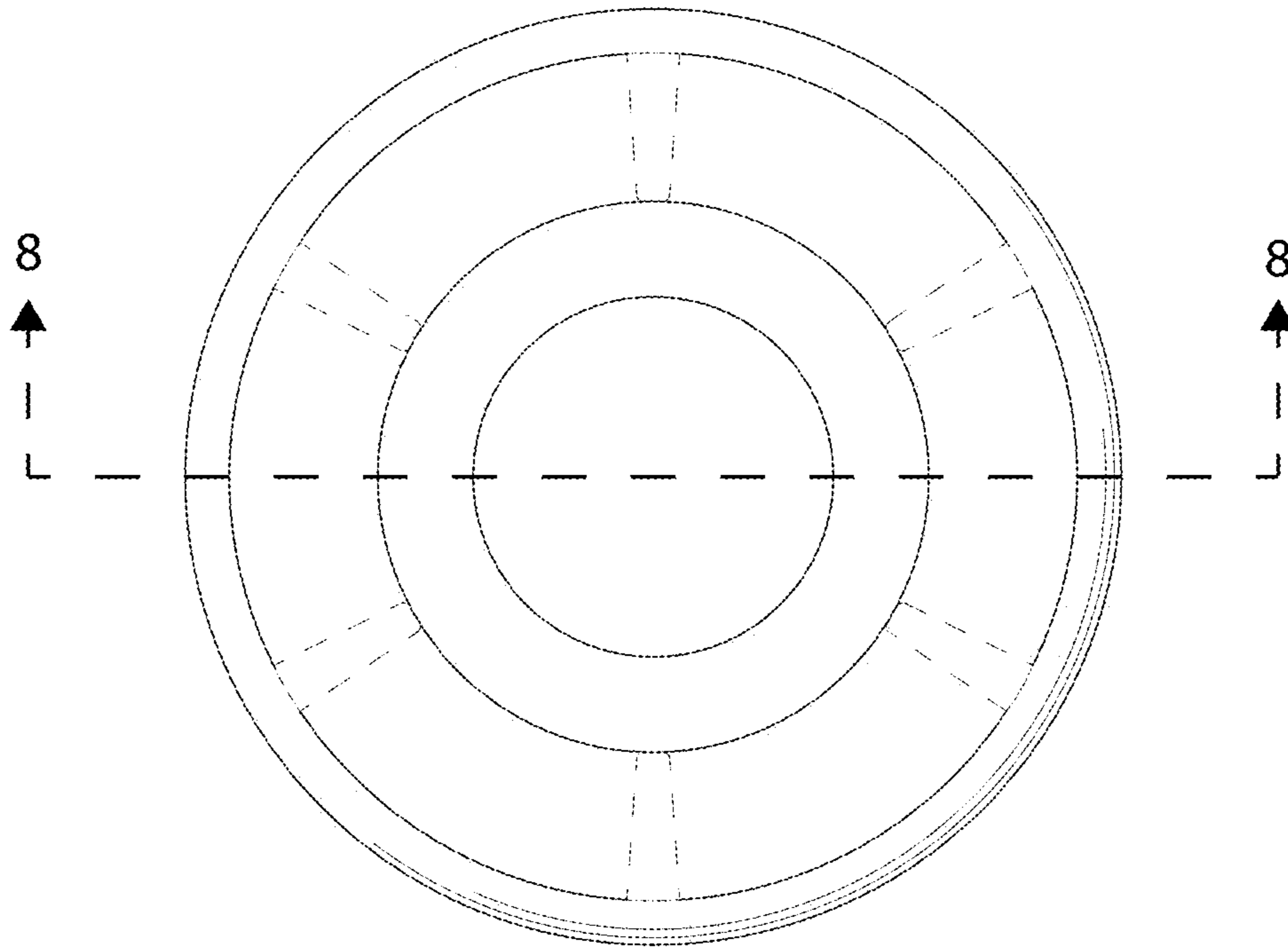


FIG. 4

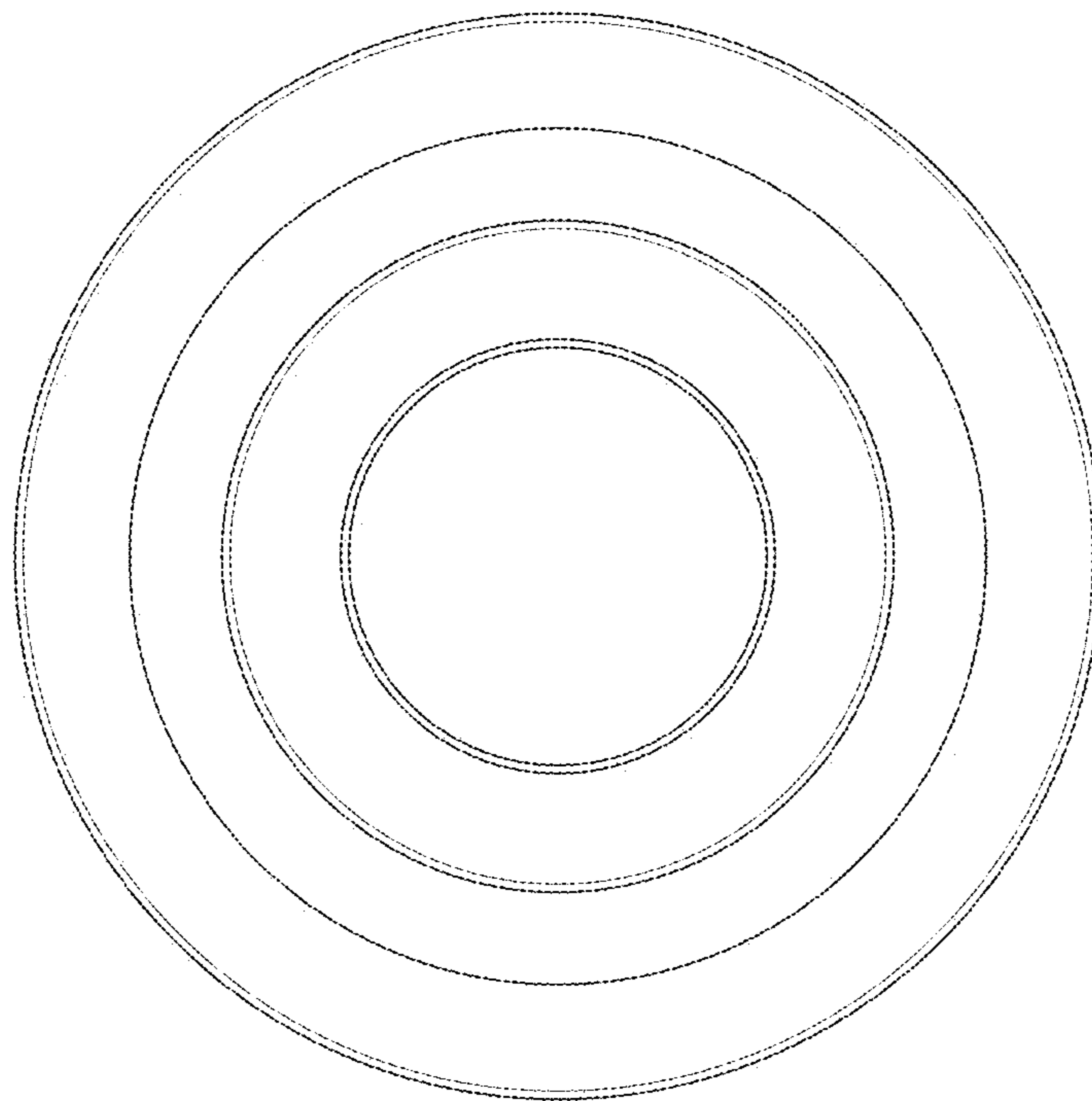


FIG. 5

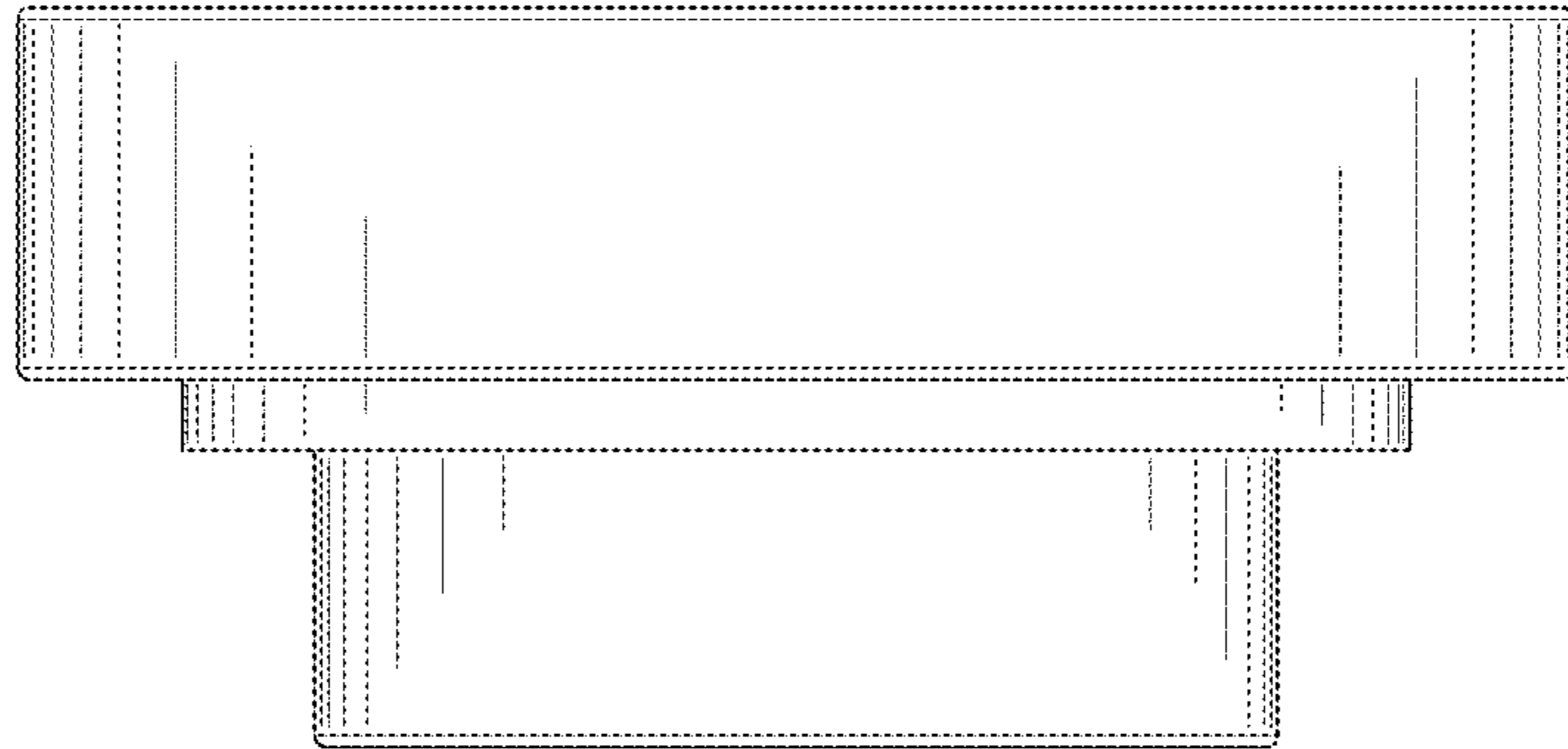


FIG. 6

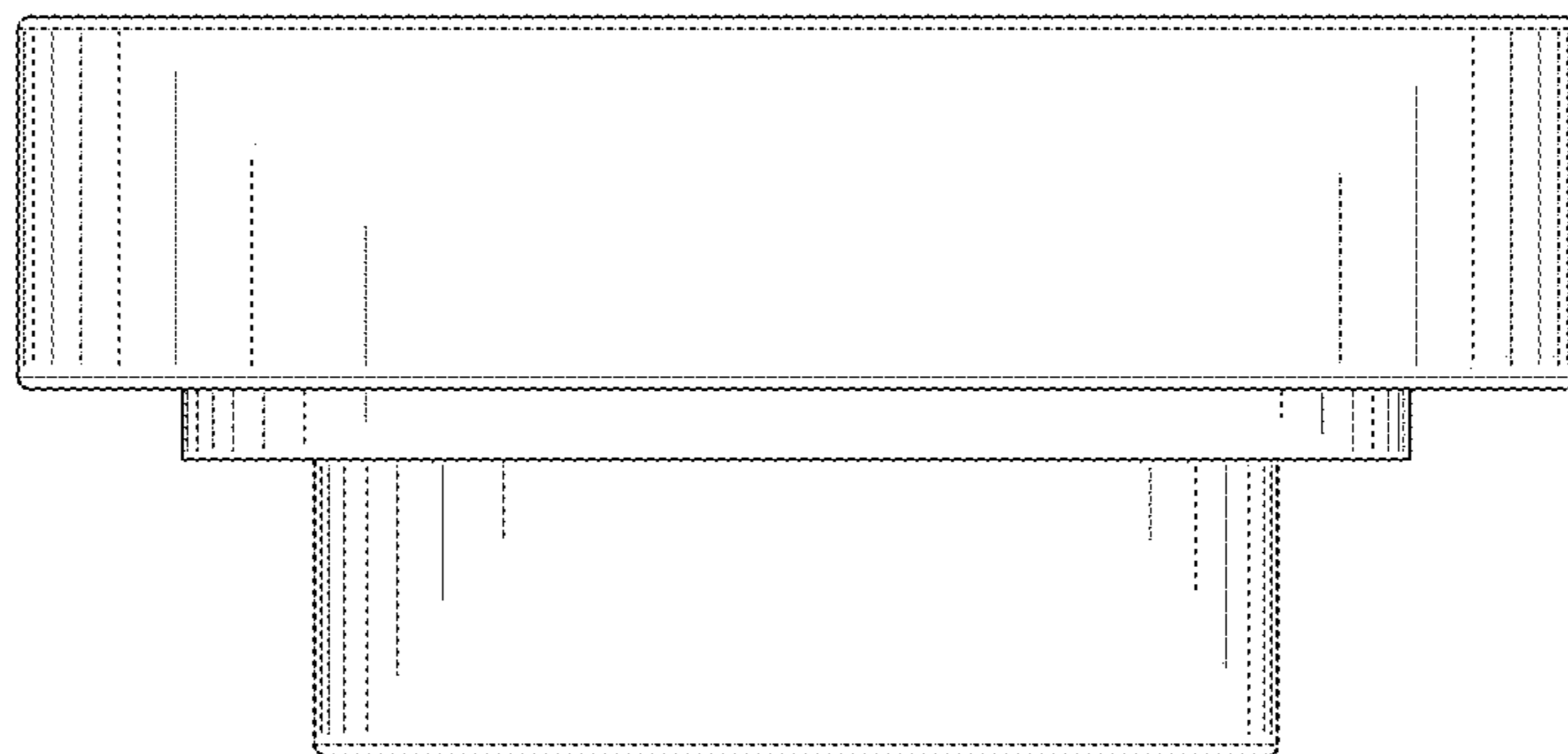


FIG. 7

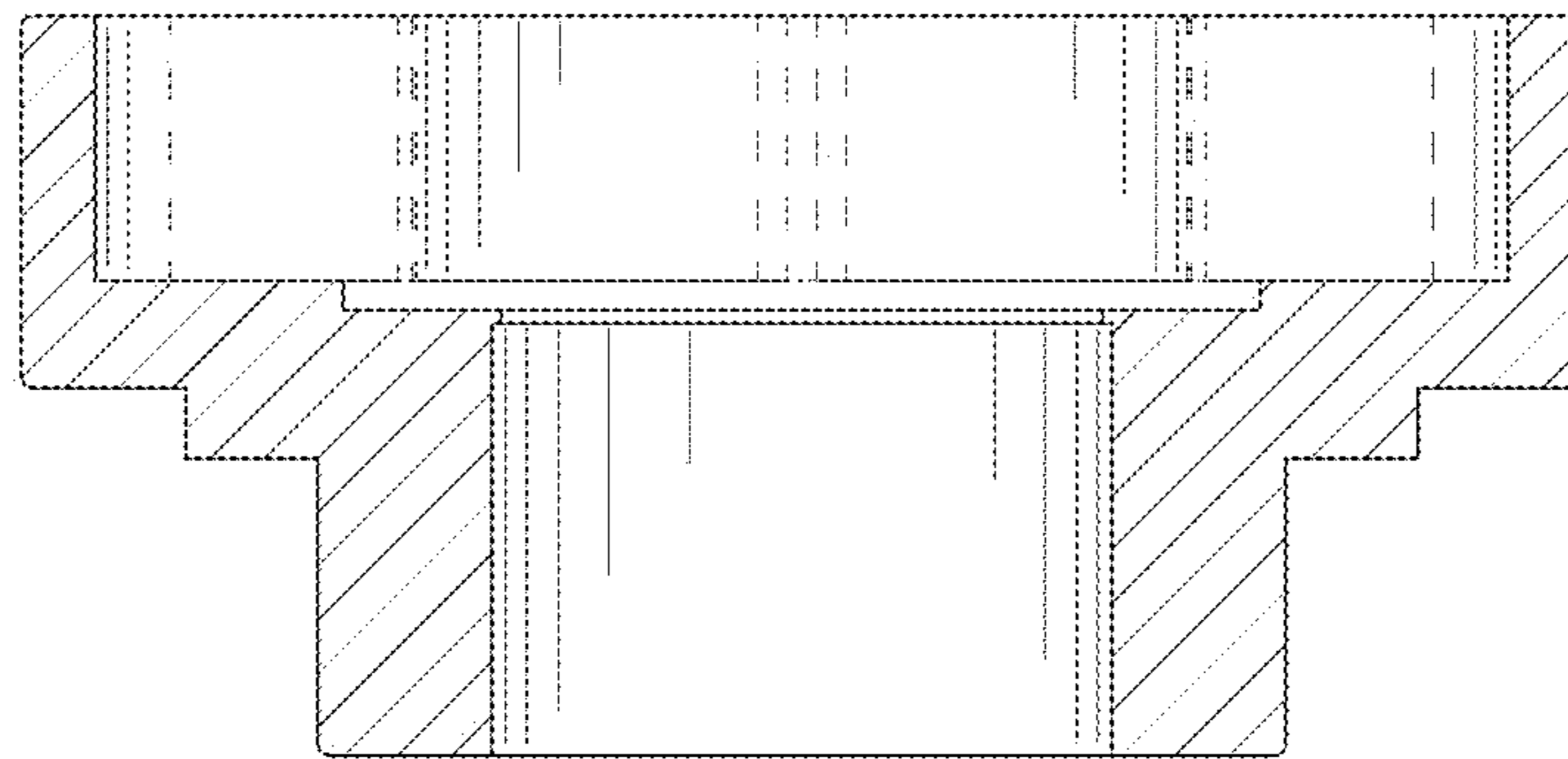


FIG. 8