



US00D876184S

(12) **United States Design Patent** (10) **Patent No.:** **US D876,184 S**
Pawluskiewicz et al. (45) **Date of Patent:** **** Feb. 25, 2020**

(54) **CHOPPER**
(71) Applicant: **Spectrum Diversified Designs, LLC**,
Streetsboro, OH (US)
(72) Inventors: **Jan Pawluskiewicz**, Seattle, WA (US);
Matthew Frank, Seattle, WA (US);
Derek Veldkamp, Seattle, WA (US)
(73) Assignee: **Spectrum Diversified Design, LLC**,
Streetsboro, OH (US)
(**) Term: **15 Years**
(21) Appl. No.: **29/657,925**
(22) Filed: **Jul. 26, 2018**
(51) **LOC (12) Cl.** **07-04**
(52) **U.S. Cl.**
USPC **D7/693**
(58) **Field of Classification Search**
USPC D7/693, 669, 673, 679, 678, 381, 372,
D7/373, 412, 383, 384; D9/500, 503,
D9/504
CPC B26D 2003/287; B26D 2003/288; B26D
3/18; B26D 3/185; B26D 3/26; B26D
3/20; B26D 3/22; B26D 3/04; A47J
43/1025; A47J 43/1068; A47J 43/044;
A47J 43/0705; A47J 43/082; A47J 43/00;
A47J 43/07; A47J 43/04; A47J 43/0722;
A47J 43/26; A47J 43/06; A47J 42/14;
A47J 42/04; A47J 42/00; A47J 42/24;
A47J 42/34; A47J 42/02; A47J 42/08;
A47J 42/12; A47J 42/22; A47J 19/04;
B26B 5/00; A23N 1/02; A24B 7/00
See application file for complete search history.

(56) **References Cited**
U.S. PATENT DOCUMENTS
3,667,519 A * 6/1972 Shaddock B26B 3/04
30/263
D447,017 S * 8/2001 Jalet D7/693

D527,588 S * 9/2006 de Groote D7/629
D558,528 S * 1/2008 Hauser D7/601
7,422,169 B2 * 9/2008 Mueller A47J 43/1068
241/168
D621,261 S * 8/2010 DeMarco D9/504
D630,912 S * 1/2011 Wong D7/679
8,220,732 B2 * 7/2012 Griffin A47J 43/04
241/169.1
D673,006 S * 12/2012 Kent D7/372
D724,394 S * 3/2015 Smith D7/372
D779,293 S * 2/2017 Cranston D7/372
2009/0045274 A1 * 2/2009 So A47J 43/044
241/169.1
2009/0090254 A1 * 4/2009 Herren A47J 43/0711
99/537
2009/0320696 A1 * 12/2009 Herren A47J 43/105
99/493
2014/0030408 A1 * 1/2014 Holcomb A23N 7/00
426/482

* cited by examiner

Primary Examiner — Terry A Wallace
(74) *Attorney, Agent, or Firm* — Tucker Ellis LLP

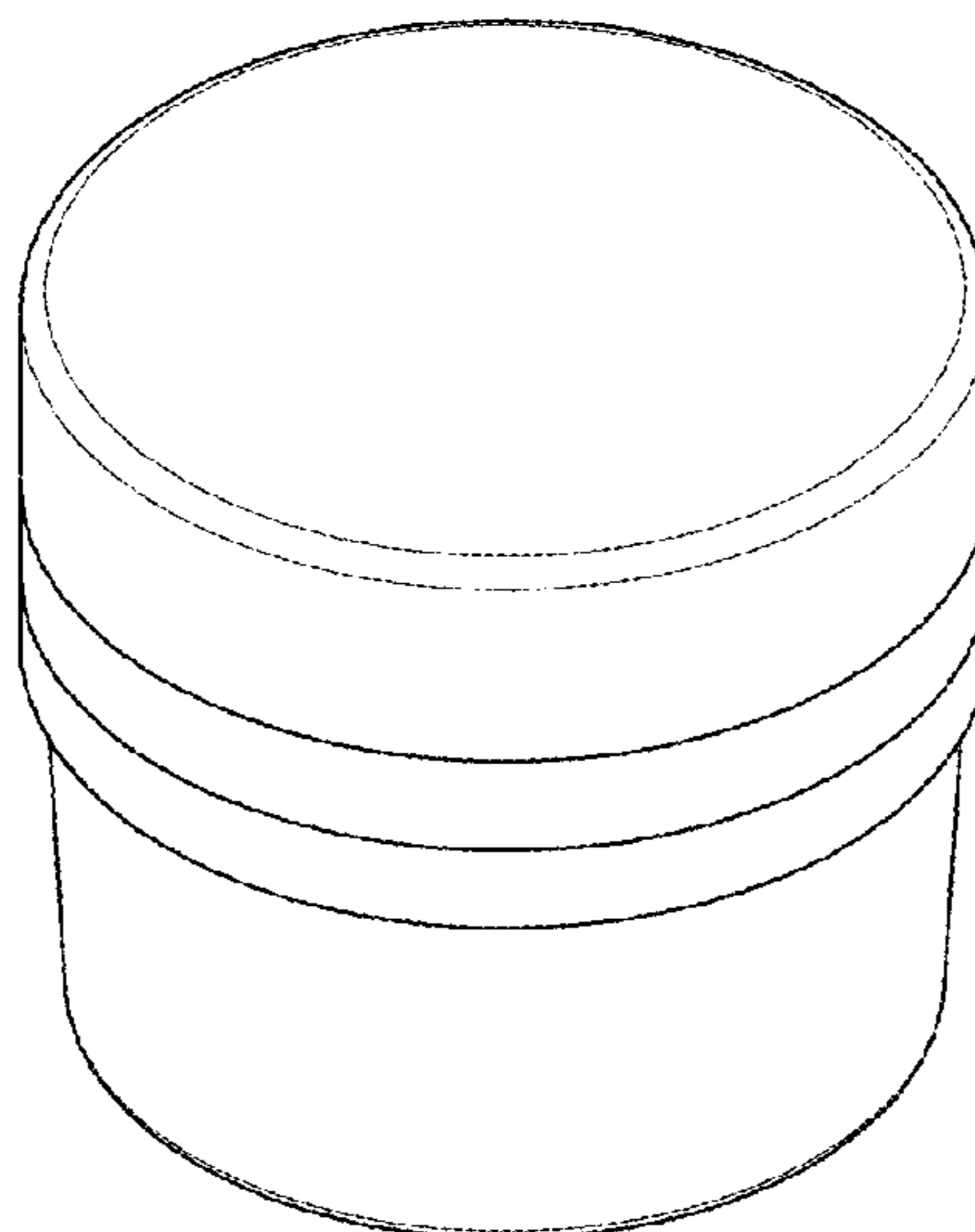
(57) **CLAIM**

The ornamental design for a chopper, as shown and described.

DESCRIPTION

FIG. 1 is a top perspective view of a chopper showing our new design.
FIG. 2 is a bottom perspective view thereof.
FIG. 3 is a front view thereof.
FIG. 4 is a rear view thereof.
FIG. 5 is a right side view thereof.
FIG. 6 is a left side view thereof.
FIG. 7 is a top view thereof; and,
FIG. 8 is a bottom view thereof.

1 Claim, 8 Drawing Sheets



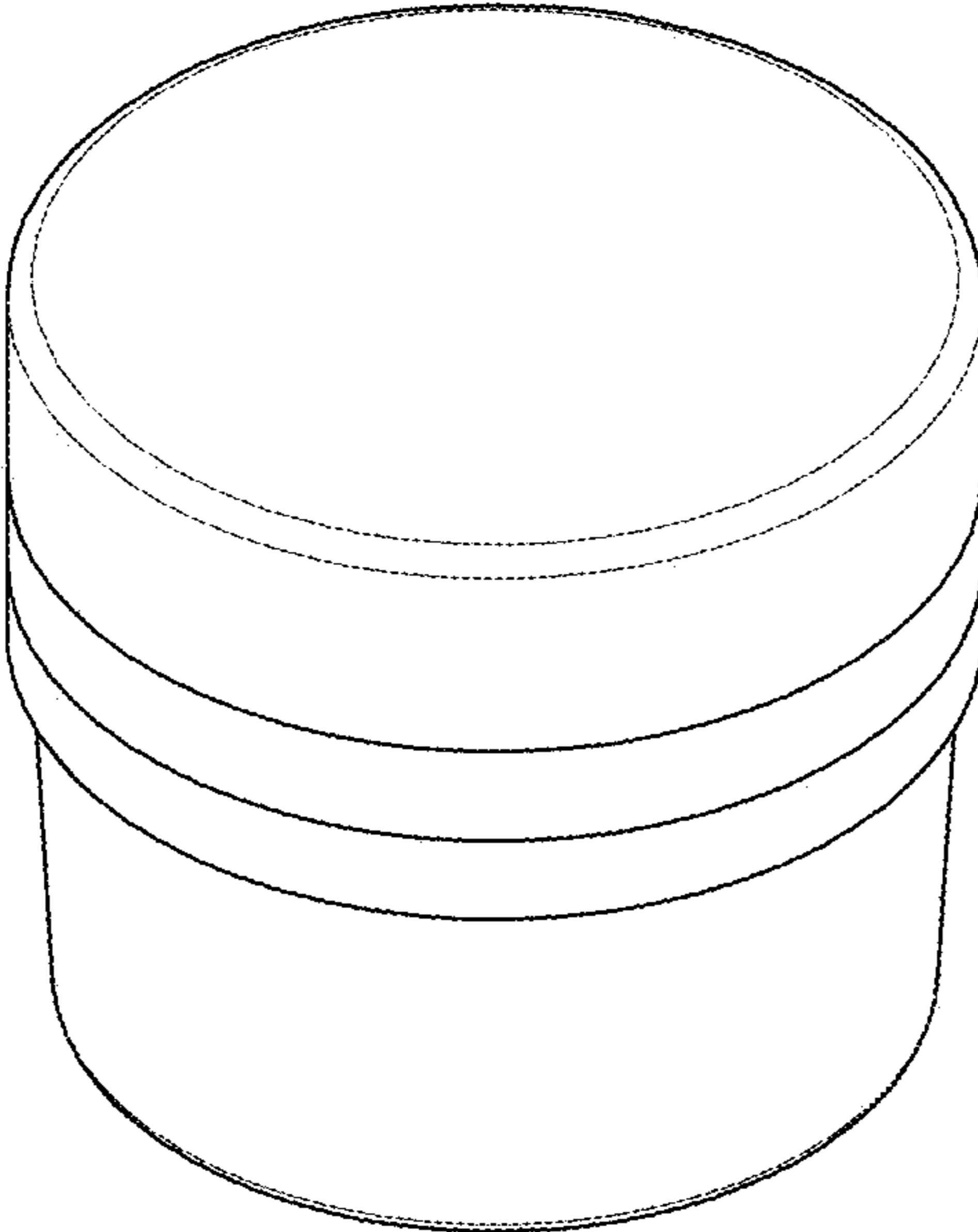


FIG. 1

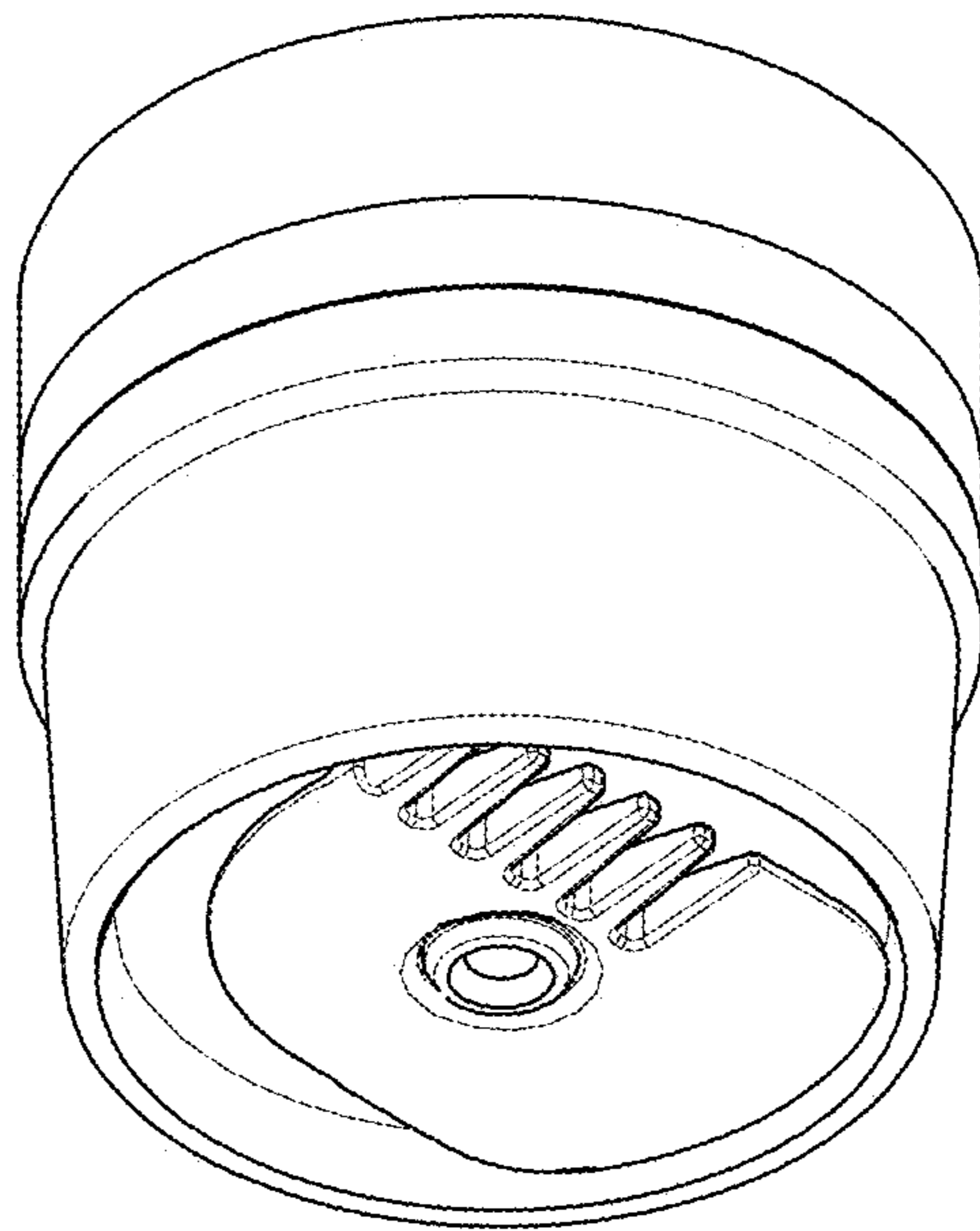


FIG. 2



FIG. 3

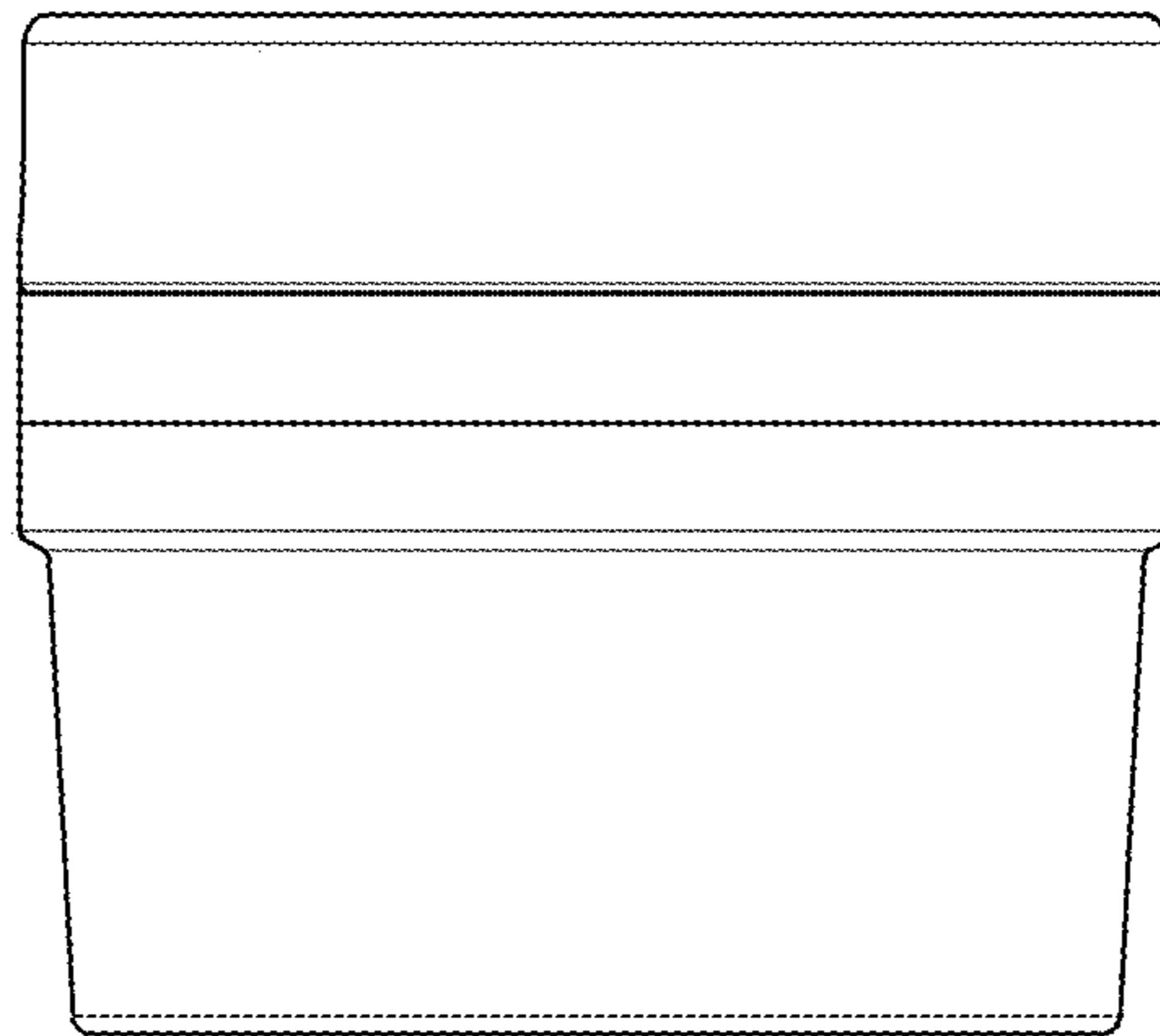


FIG. 4

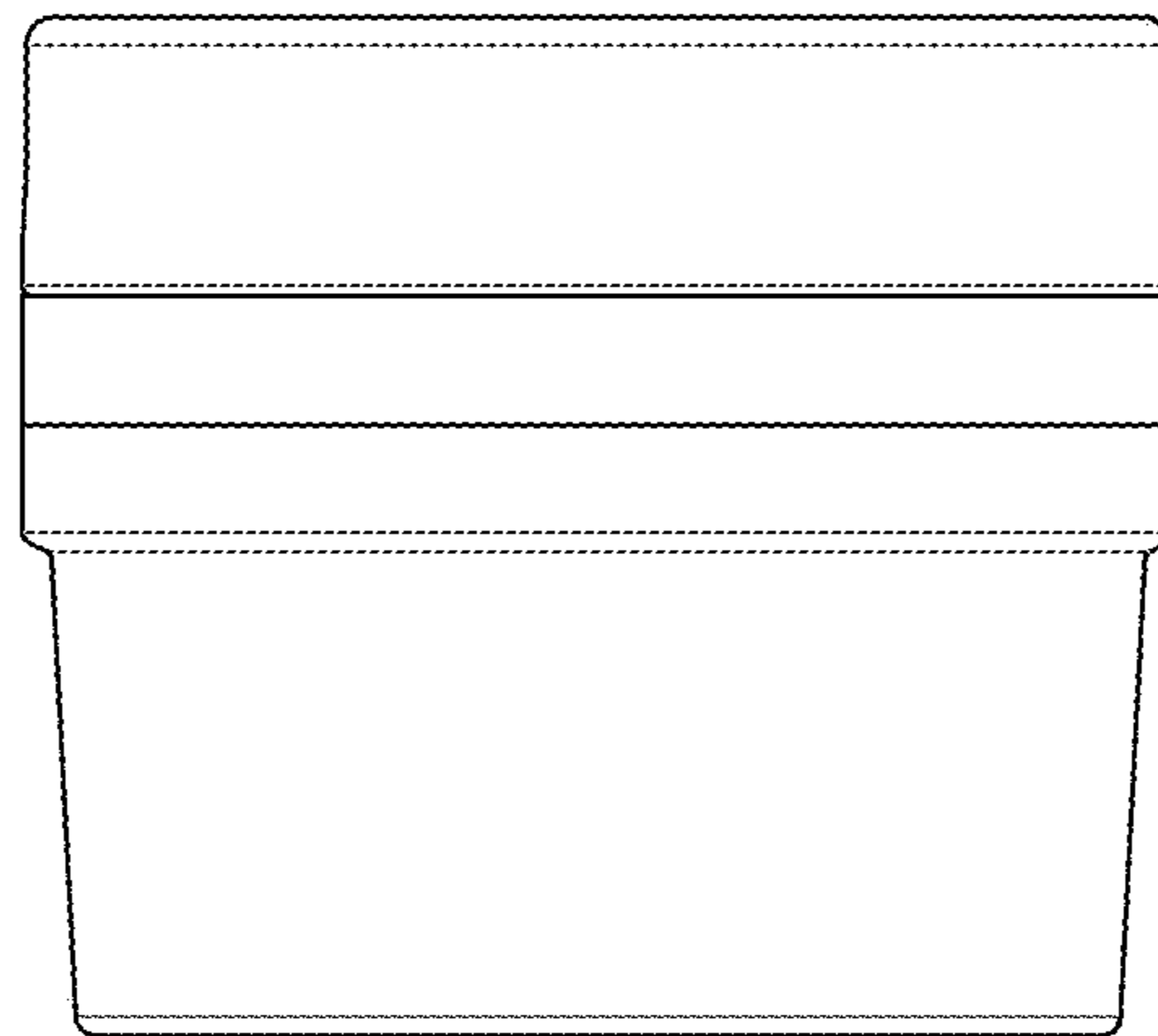


FIG. 5

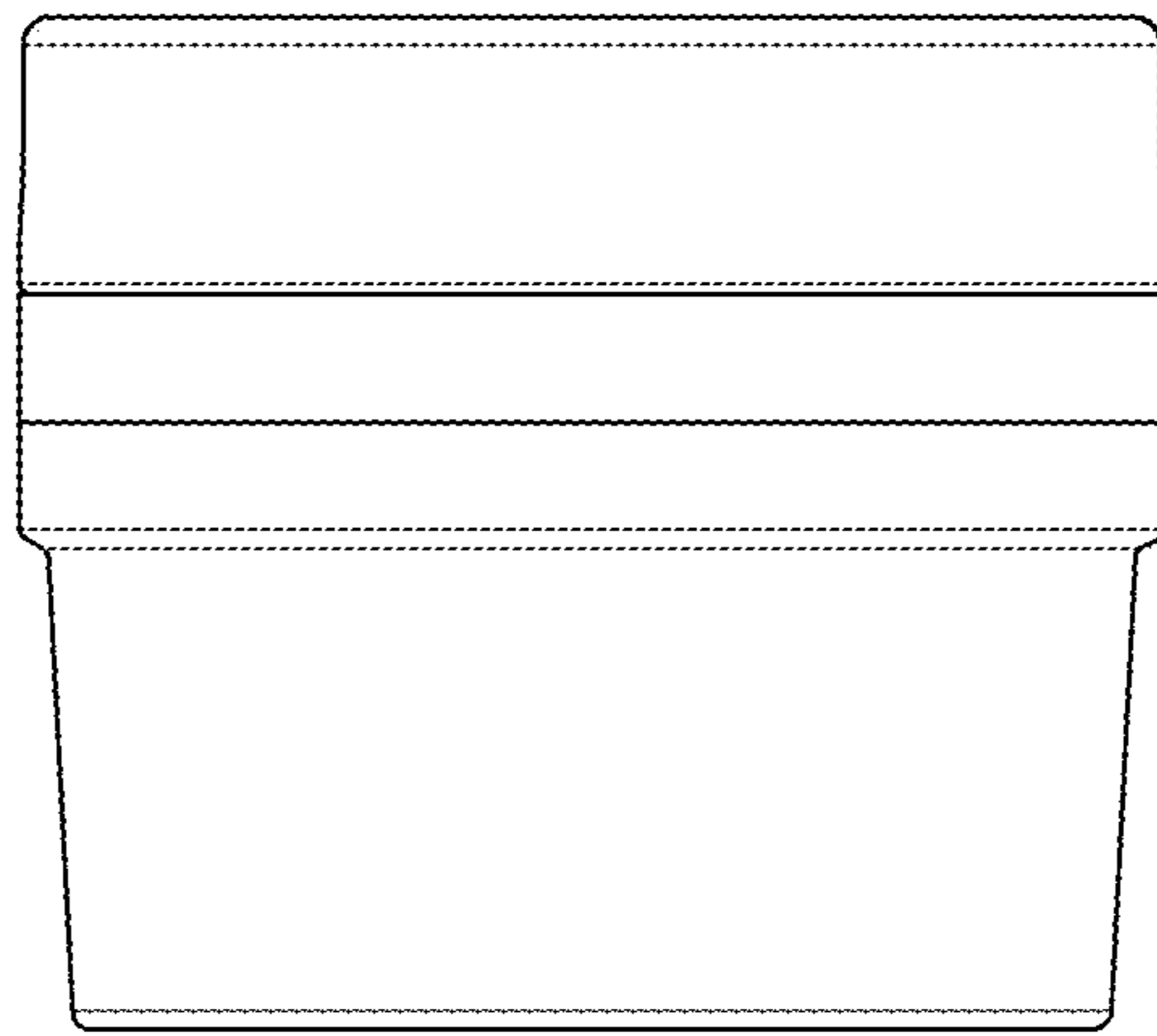


FIG. 6

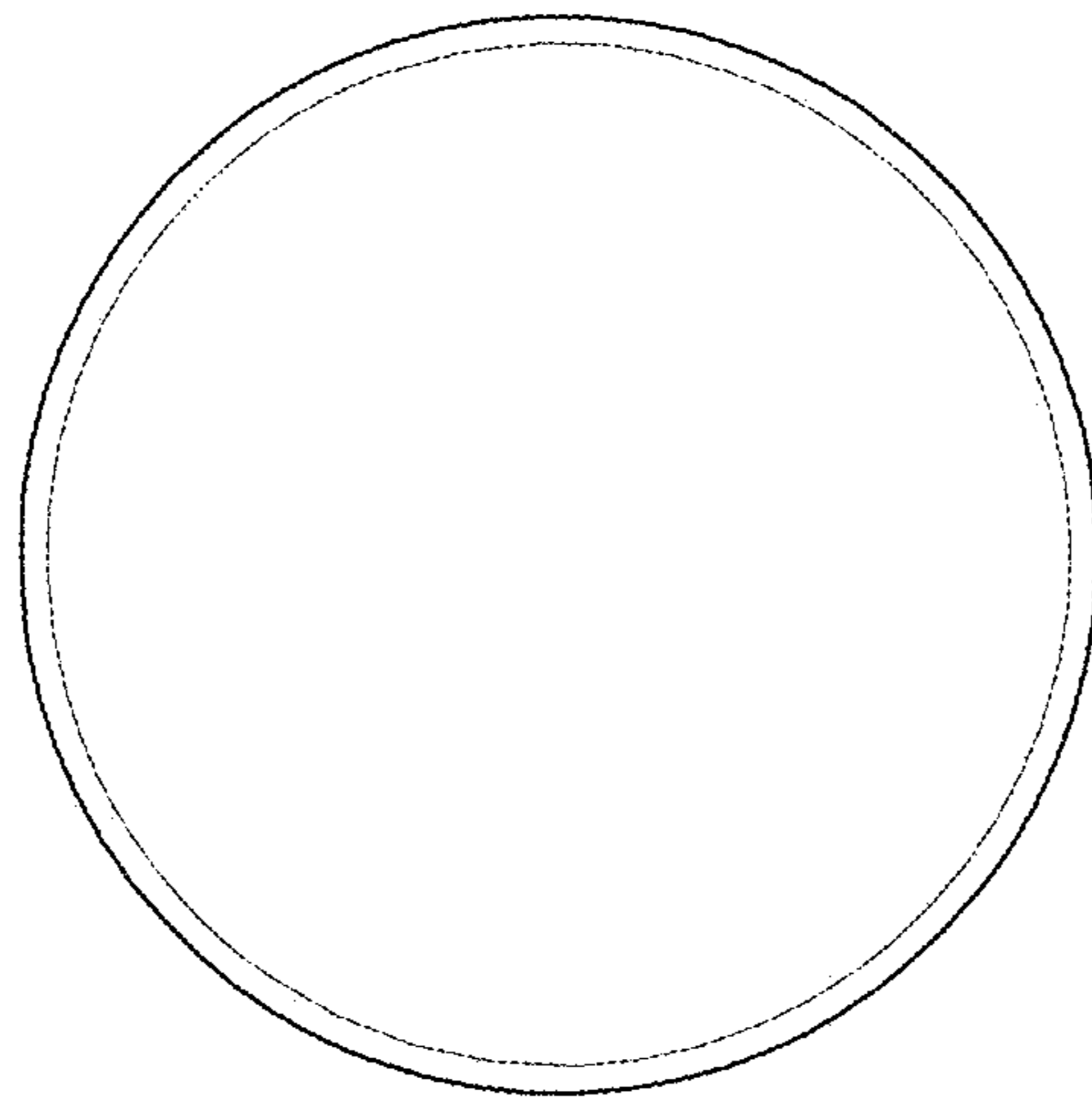


FIG. 7

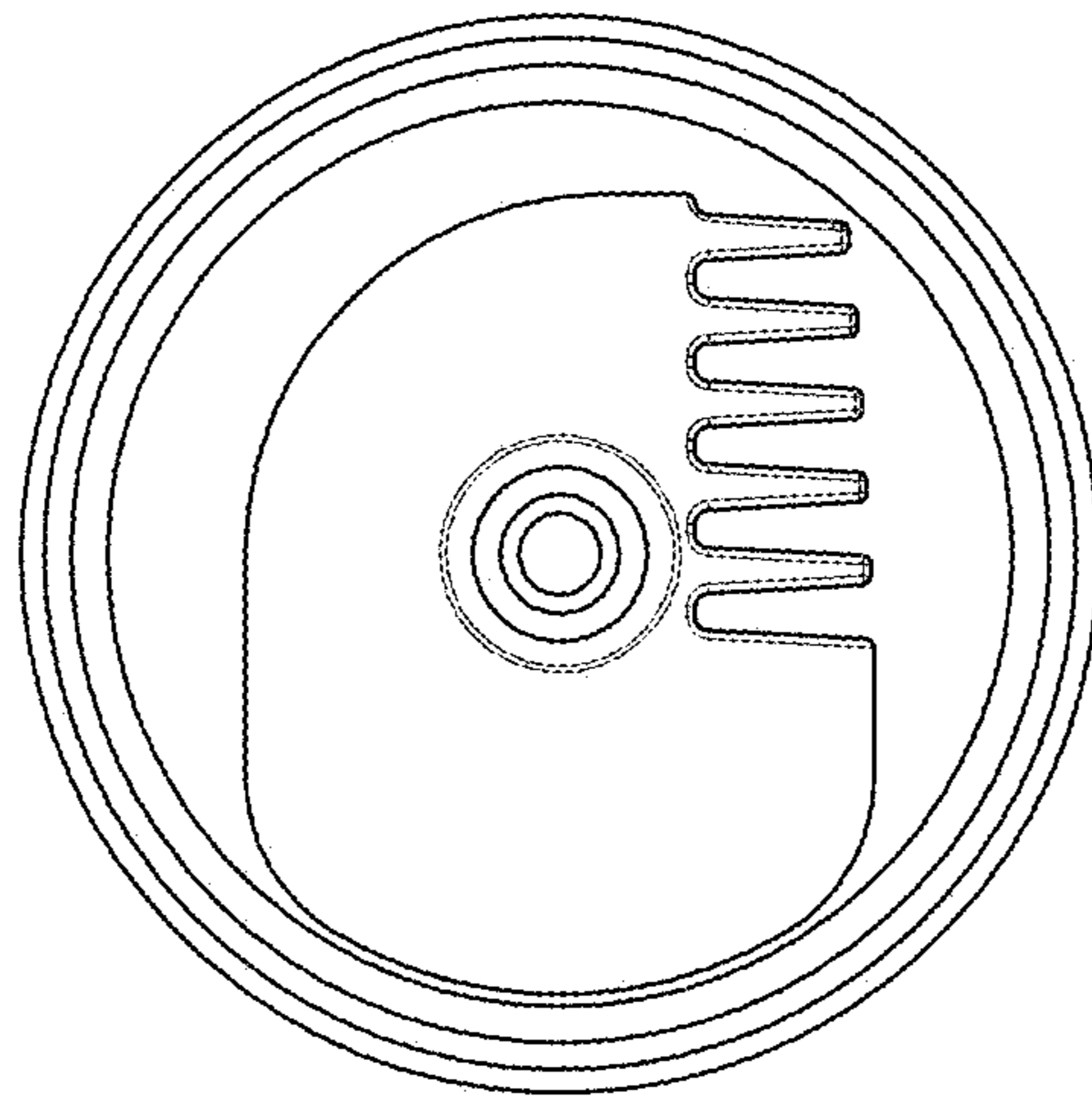


FIG. 8