



US00D876181S

(12) **United States Design Patent**
Cloutier

(10) **Patent No.:** **US D876,181 S**

(45) **Date of Patent:** **** Feb. 25, 2020**

(54) **COOKING SKEWER**

(71) Applicant: **Magellan Home-Goods, Ltd.**, Blaine, WA (US)

(72) Inventor: **Andre Dean Cloutier**, Blaine, WA (US)

(73) Assignee: **Magellan Home-Goods, Ltd.**, Blaine, WA (US)

(**) Term: **15 Years**

(21) Appl. No.: **29/663,104**

(22) Filed: **Sep. 12, 2018**

(51) **LOC (12) Cl.** **07-06**

(52) **U.S. Cl.**
USPC **D7/683**

(58) **Field of Classification Search**
USPC D7/680-696, 669, 368; D11/121, 125
CPC B26D 1/30; B26D 7/18; A47J 19/04; A47J 17/02; A47J 17/04; A47J 43/00; A47J 43/25; A47J 43/255; A47J 43/18; A47J 43/283; A47J 43/28; A47J 37/0694; A22C 21/0038; A01K 81/04; A47G 33/0845
See application file for complete search history.

(56) **References Cited**

U.S. PATENT DOCUMENTS

3,078,787 A	2/1963	Arseneault	
D431,753 S	10/2000	Cohen et al.	
6,286,418 B1 *	9/2001	Berke	A47J 43/18 452/198
D455,606 S	4/2002	Lee	
D468,156 S	1/2003	Yu	
D503,071 S	3/2005	Lu	
6,877,232 B2 *	4/2005	Harmon	A47J 43/18 30/322

D524,124 S *	7/2006	Tashjian	D7/683
7,104,577 B1 *	9/2006	Berke	A47J 43/18 294/61
D688,535 S *	8/2013	Gentry	D7/381
D694,075 S *	11/2013	Zemel	D7/683
D737,626 S	9/2015	Lu	
D813,619 S	3/2018	Cloutier	

* cited by examiner

Primary Examiner — Terry A Wallace

(74) *Attorney, Agent, or Firm* — Schacht Law Office, Inc.; Dwayne Rogge

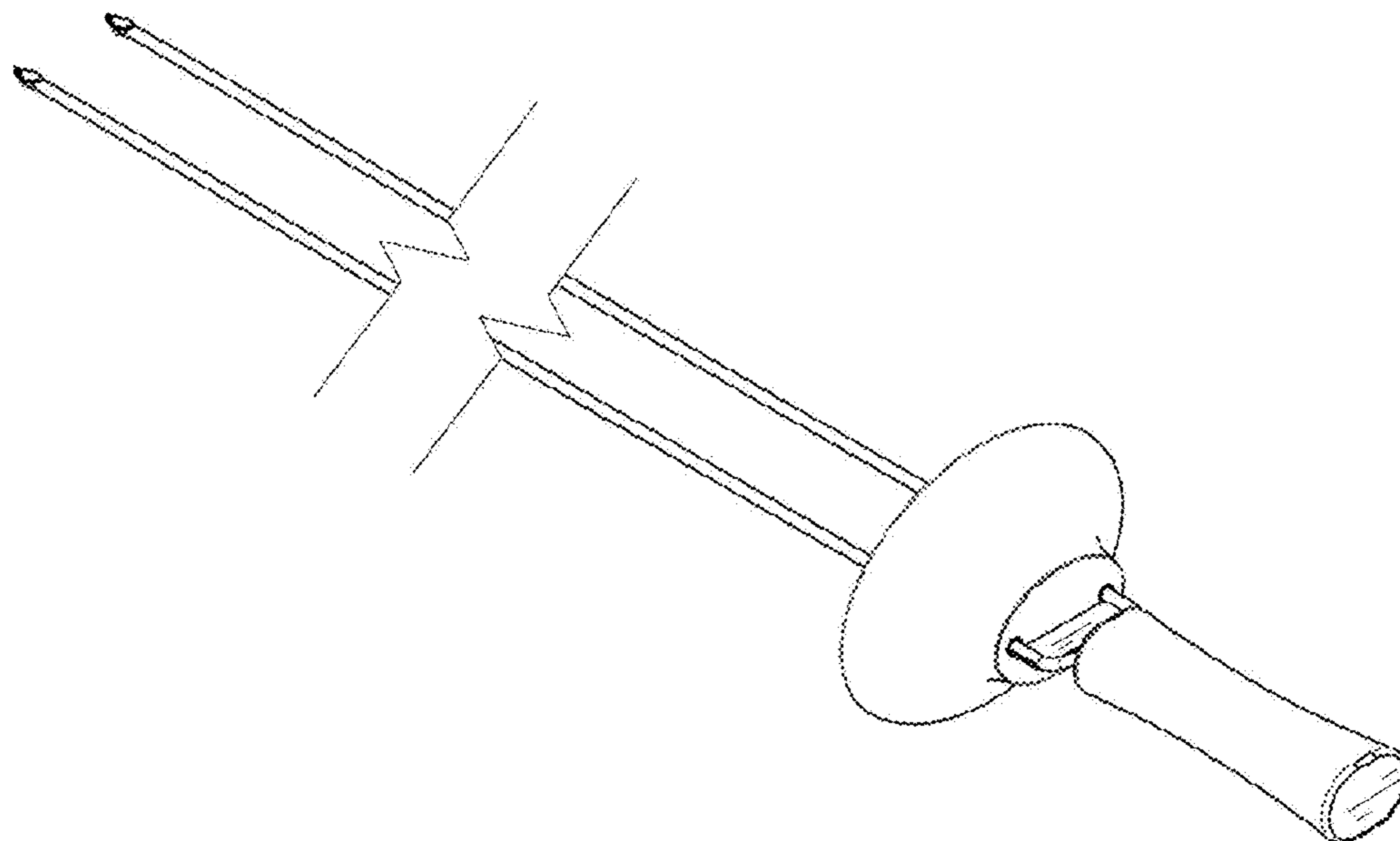
(57) **CLAIM**

The ornamental design for a cooking skewer, as shown and described.

DESCRIPTION

FIG. 1 is a perspective view of one example of the disclosed cooking skewer.
 FIG. 2 is a side view of the example shown in FIG. 1.
 FIG. 3 is a top view of the example shown in FIG. 1.
 FIG. 4 is a bottom view of the example shown in FIG. 1.
 FIG. 5 is a back end view of the example shown in FIG. 1.
 FIG. 6 is a front end view of the example shown in FIG. 1.
 FIG. 7 is a right side view of the example shown in FIG. 1.
 FIG. 8 is a left side view of the example shown in FIG. 1 showing a pusher component in two alternative positions.
 FIG. 9 is a top view showing the pusher component in two alternate positions; and,
 FIG. 10 is a top view of another example of the cooking skewer in use to cook a food item while grasped by a user to show the visual dimension of this particular example.
 Broken lines shown illustrate portions of the cooking skewer that form no part of the claimed design.
 The appearance of any portion of the article between the break lines forms no part of the claimed design.

1 Claim, 2 Drawing Sheets



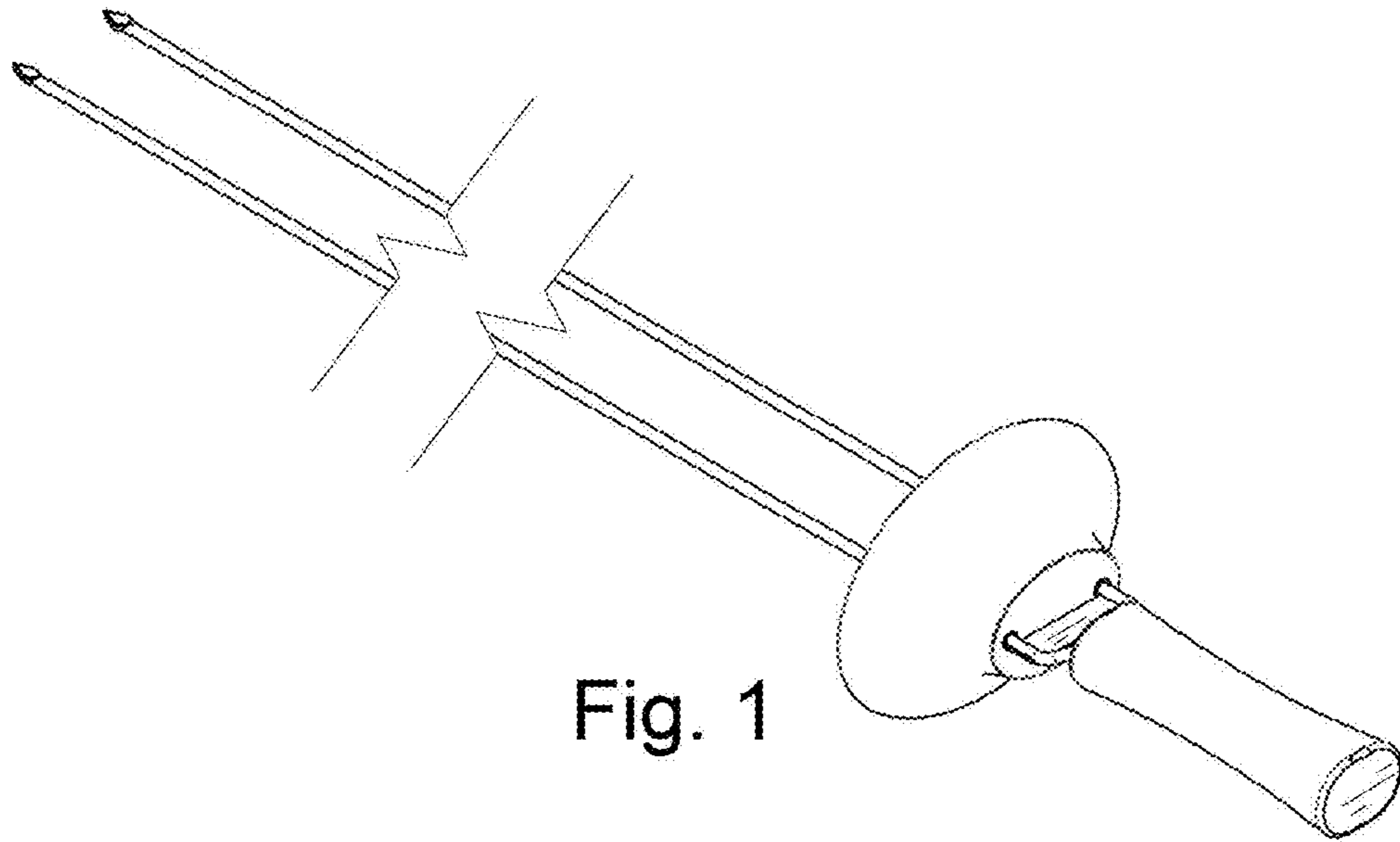


Fig. 1

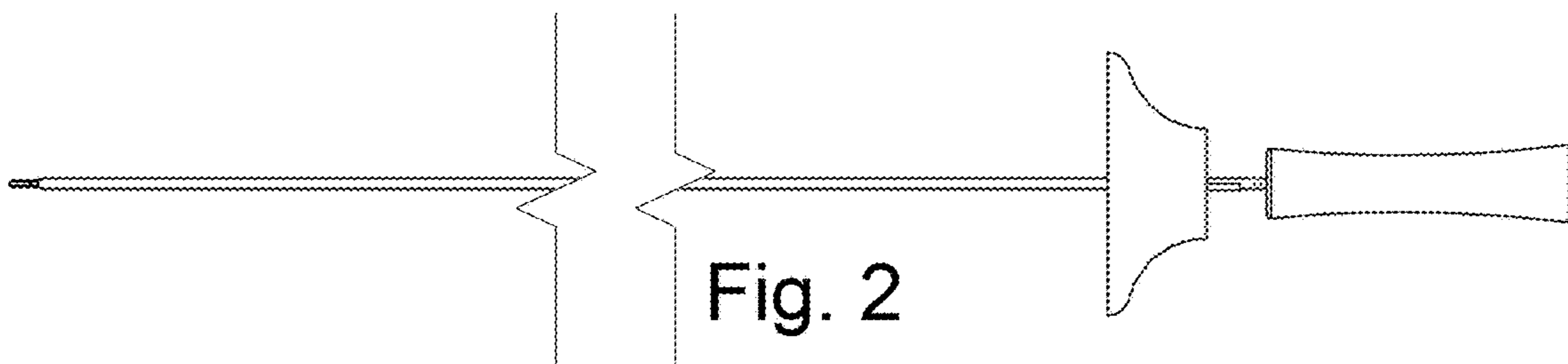


Fig. 2

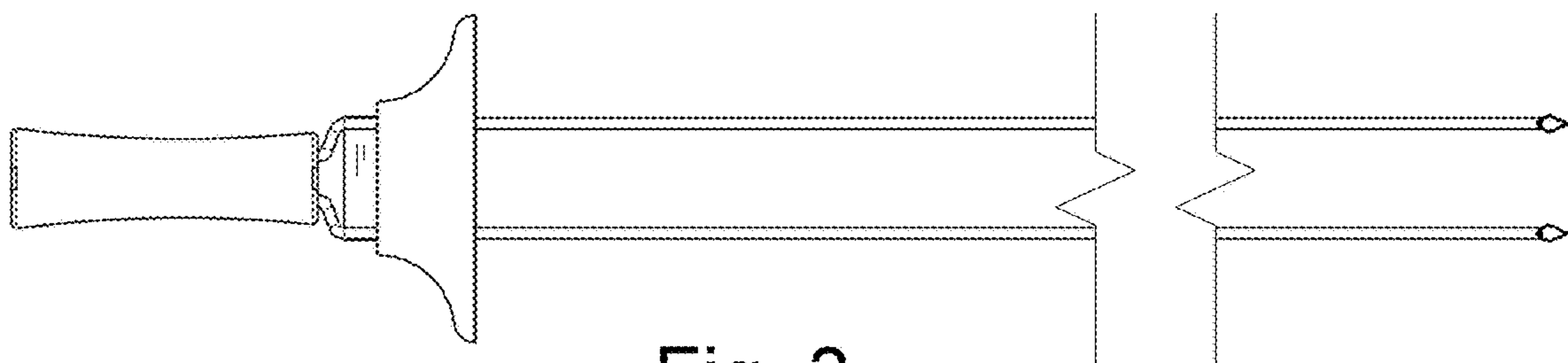


Fig. 3

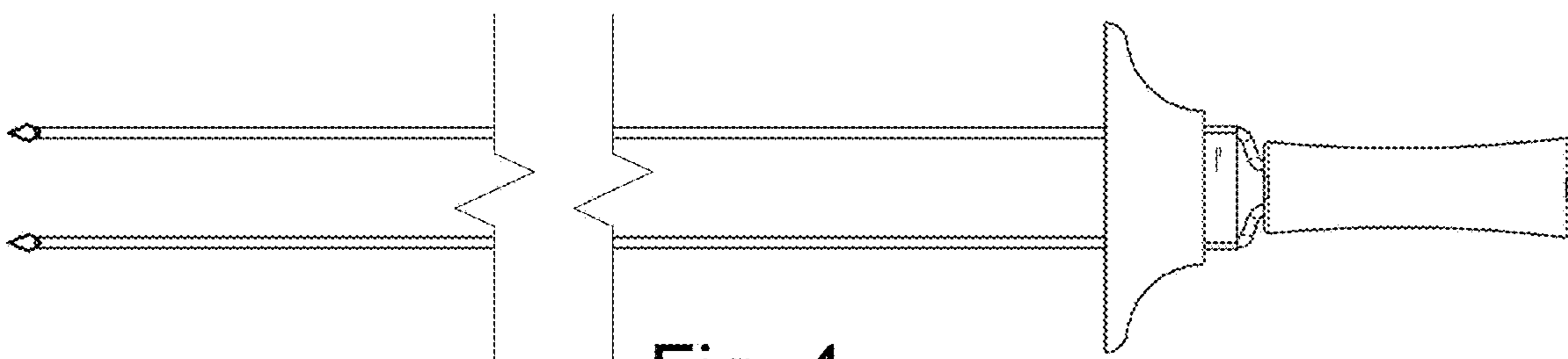


Fig. 4

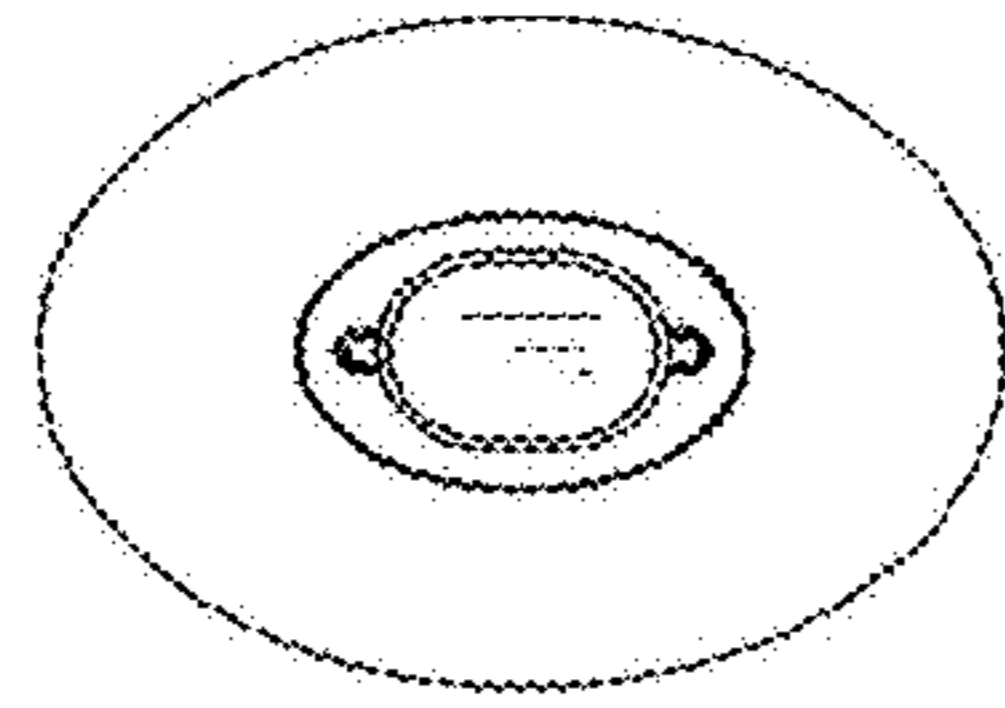


Fig. 5

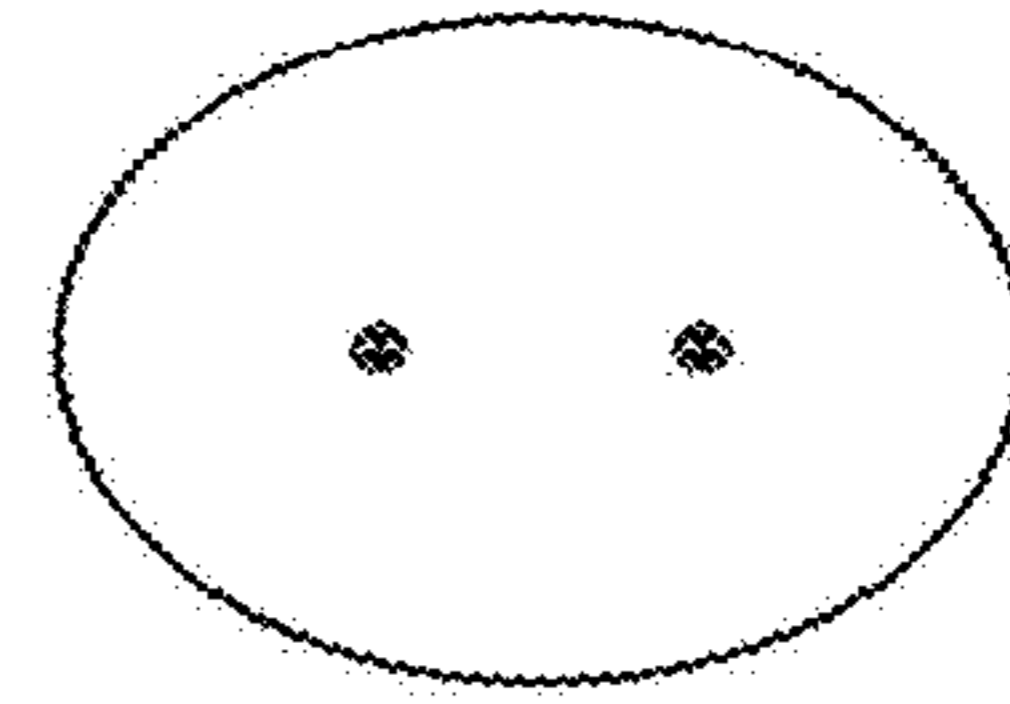


Fig. 6

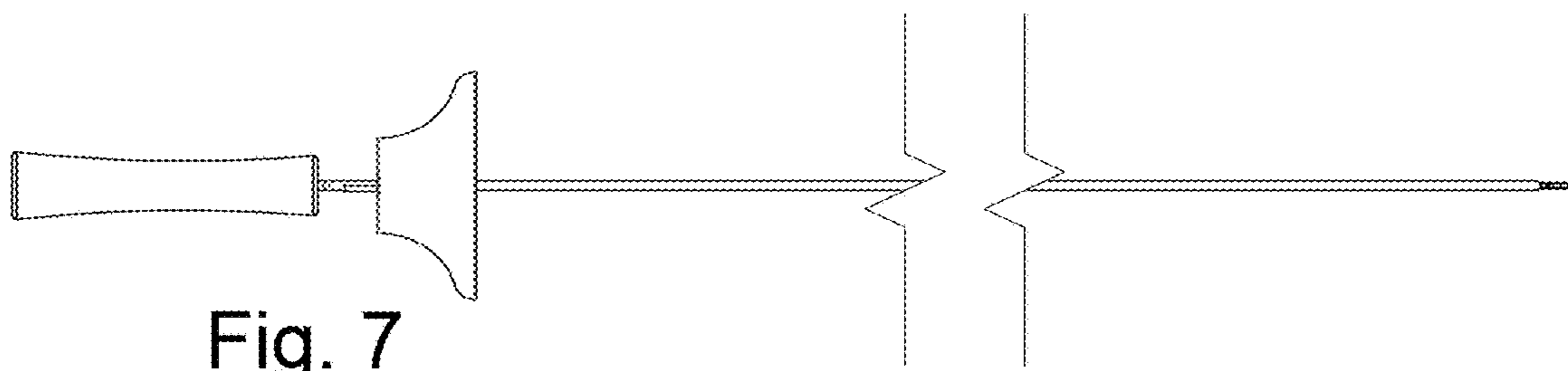


Fig. 7

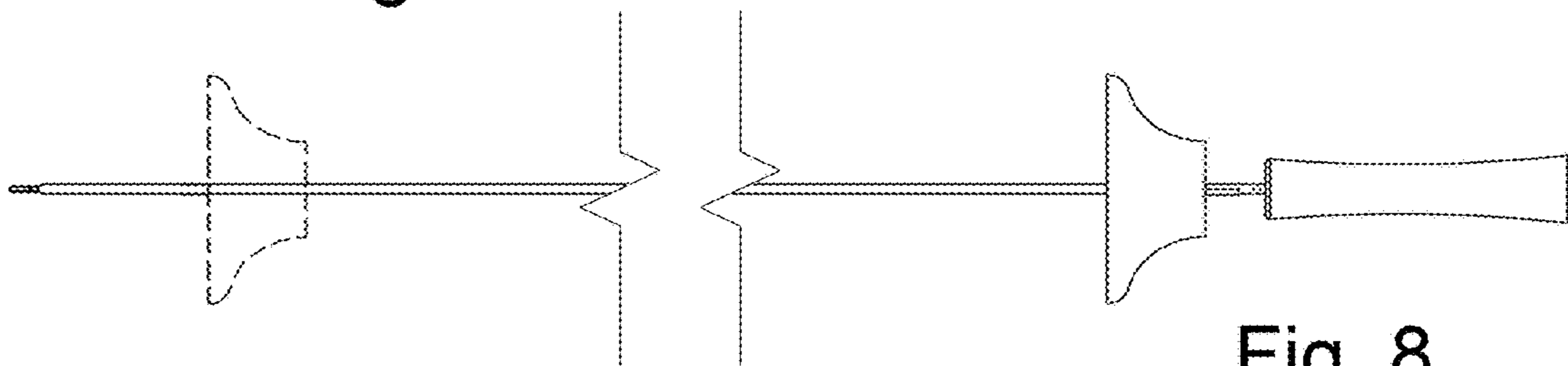


Fig. 8

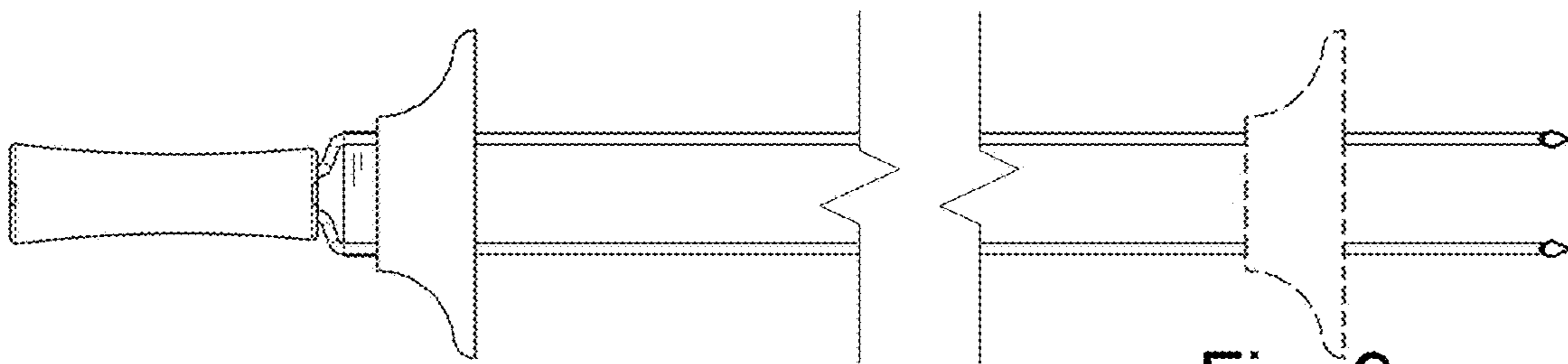


Fig. 9

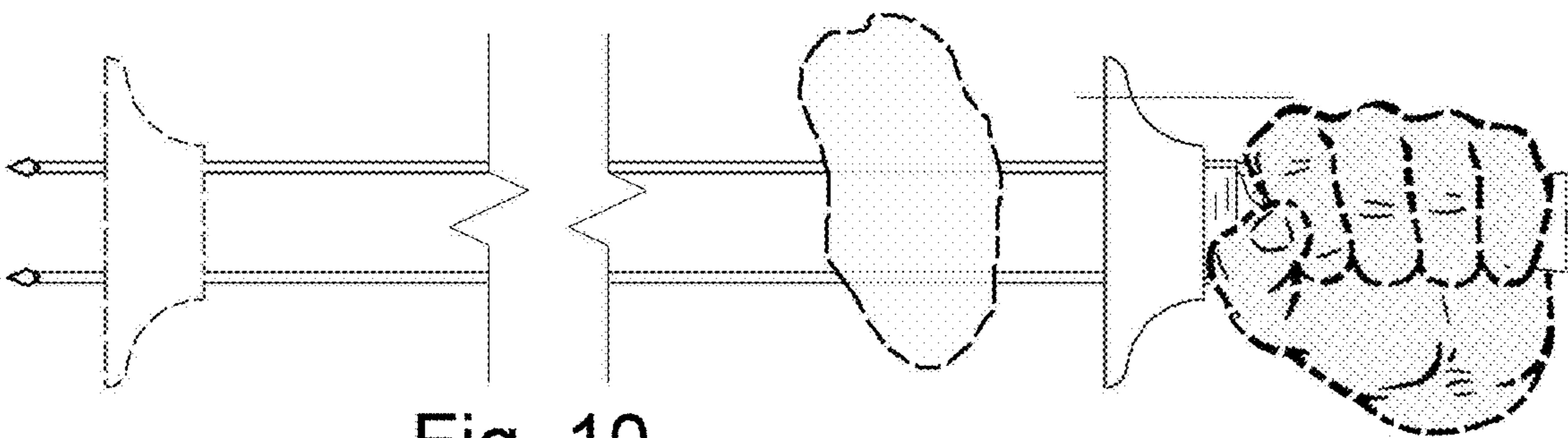


Fig. 10