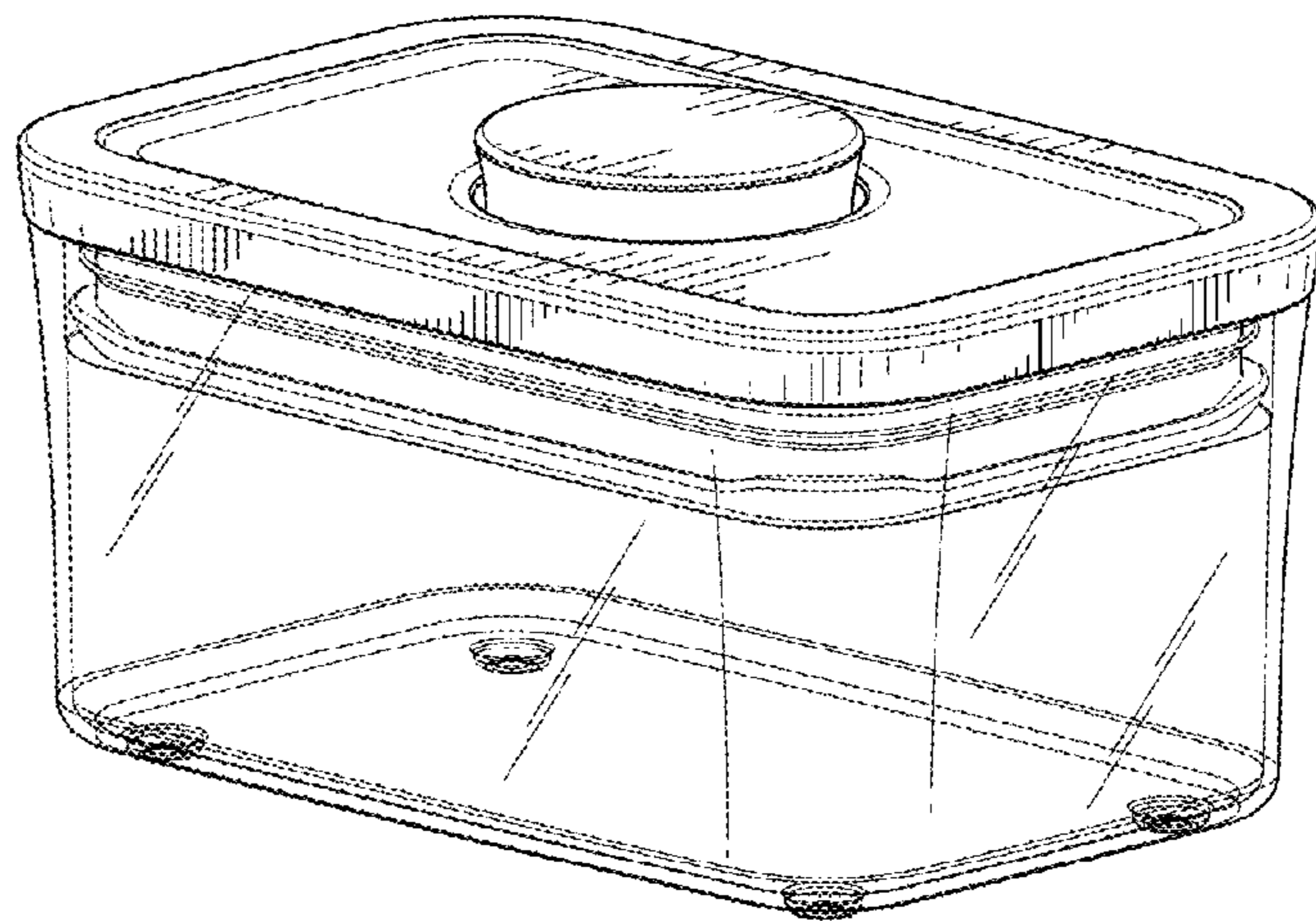




US00D876177S

(12) **United States Design Patent** (10) **Patent No.:** **US D876,177 S**
Pentelovitch et al. (45) **Date of Patent:** **** *Feb. 25, 2020**

(54) CONTAINER	2,768,667 A * 10/1956 Hill B65D 1/26 206/518
(71) Applicant: Helen of Troy Limited , Belleville, St. Michael (BB)	D201,455 S * 6/1965 Lindstrom D7/540 D274,396 S * 6/1984 Kikuchi D7/605 4,572,374 A * 2/1986 Sirotkin B65D 21/064 206/505
(72) Inventors: Noah Ziman Pentelovitch , New York, NY (US); Conor Patrick McNamara , Montclair, NJ (US); Makiko Kida , Chiba (JP); Tamotsu Matsumoto , Chiba (JP); Nobuyuki Ogasawara , Chiba (JP); Yoshinori Nagata , Chiba (JP)	4,585,138 A * 4/1986 Jonkers B65D 43/0212 220/614 D326,391 S * 5/1992 Verchere D34/7 D362,180 S * 9/1995 Haines D9/529 D396,172 S * 7/1998 Nask D7/615 D403,582 S * 1/1999 Nask D9/435 5,896,993 A * 4/1999 Nask B65D 21/0219 206/508
(73) Assignee: Helen of Troy Limited , St. Michael (BB)	D447,669 S * 9/2001 Tzeng Wu D7/615 D518,958 S * 4/2006 Yourist D3/302 D521,811 S * 5/2006 Yourist D7/615 D524,119 S * 7/2006 Kim D7/615 D527,845 S * 9/2006 Ng D28/73 D531,043 S * 10/2006 Houtart D9/560 D540,669 S * 4/2007 George D7/392.1 D572,086 S * 7/2008 Matsumoto et al.
(*) Notice: This patent is subject to a terminal disclaimer.	D592,966 S * 5/2009 Nissen D9/560 D610,412 S * 2/2010 Matsumoto D7/629 D619,424 S * 7/2010 Yang D7/615 D659,530 S * 5/2012 Akana D9/424 D669,777 S * 10/2012 Brown D9/424 D674,248 S * 1/2013 Lindsay D7/629 D696,558 S * 12/2013 Song D7/629 D696,559 S * 12/2013 Song D7/629 D702,547 S * 4/2014 Akana D14/496 8,807,370 B2 * 8/2014 Lee B65D 45/327 220/235
(**) Term: 15 Years	D759,434 S * 6/2016 Duvigneau D7/615 9,359,114 B2 * 6/2016 Wong B65D 43/26 D765,508 S * 9/2016 Wu D9/439 D773,931 S * 12/2016 Liu D9/449 D790,335 S * 6/2017 Honings D9/424 9,731,874 B2 * 8/2017 Luo A47J 47/02 D817,116 S * 5/2018 Evans D7/629 D817,701 S * 5/2018 Ho D7/391 D821,869 S * 7/2018 Cheng D9/424 D828,754 S * 9/2018 Liu D9/439 D834,377 S * 11/2018 Zoske D7/629 D839,664 S * 2/2019 Pentelovitch D7/391
(21) Appl. No.: 29/631,349	2007/0241107 A1 * 10/2007 Matsumoto B65D 39/12 220/238
(22) Filed: Dec. 29, 2017	2013/0256256 A1 * 10/2013 Krippendorf B65D 55/12 215/200
(51) LOC (12) Cl. 07-07	2013/0306497 A1 * 11/2013 Llewellyn B44D 3/12 206/1.7
(52) U.S. Cl. D7/629	2016/0167863 A1 * 6/2016 Han B65D 53/02 220/256.1
(58) Field of Classification Search	
USPC D7/629, 602, 538-542, 601, 612-615; D9/424, 428-432, 761, 414, 642, 721, 73	
CPC B65D 2543/00296; B65D 43/02; B65D 2543/00101; B65D 2543/00194; B65D 43/16; B65D 45/00; B65D 1/22; B65D 2203/00; B65D 2543/00592; A45C 11/20	
See application file for complete search history.	
(56) References Cited	
U.S. PATENT DOCUMENTS	
D150,045 S * 6/1948 Zaikaner D7/629	
D159,811 S * 8/1950 Hill D7/629	
D162,579 S * 3/1951 Roop D7/615	
2,575,770 A * 11/1951 Roop A47J 47/02 206/499	
D176,766 S * 1/1956 Hill D7/615	



2016/0257458 A1* 9/2016 Pentelovitch B65D 45/32
 2016/0368671 A1* 12/2016 Pentelovitch B65D 45/327
 2017/0247151 A1* 8/2017 Chiou B65D 43/26
 2018/0016065 A1* 1/2018 Ho B65D 45/32

OTHER PUBLICATIONS

Amazon.com: OXO® Good Grips POP Container, [online], date first listed Oct. 2, 2001, retrieved on Apr. 8, 2019. Retrieved from, <URL: https://www.amazon.com/dp/B000UHYB9E/ref=psdc_3744021_t1_B0051T93TE>, all pages.*

Bed Bath & Beyond—OXO® Good Grips, [online], reviewed on Apr. 8, 2015, retrieved on Apr. 8, 2019. Retrieved from, <URL: <https://www.bedbathandbeyond.com/store/product/oxo-good-grips-reg-5-piece-food-storage-pop-container-set/3262793?skuId=16108472&&mrkgcl=609&mrkgadid=3306238966&enginename=google&mcid . . .>>, all pages.*

OXO® POP Canisters—YouTube, [online], posted on Apr. 28, 2015, retrieved on Apr. 8, 2019. Retrieved from, <URL: <https://www.youtube.com/watch?v=DTujNDIRMZM>>, all pages.*

Amazon.com: OXO® Steel POP Container, [online], first listed May 20, 2011, retrieved on Apr. 8, 2019. Retrieved from, <URL: https://www.amazon.com/OXO-Steel-POP-Container-Airtight/dp/B0051T93TE/ref=cm_cr_arp_d_product_top?ie=UTF8>, all pages.* <https://www.oxo.com/products/storage-organization/food/pop-container-rectangle-0-5-qt-0-5l> (website published prior to Dec. 29, 2016).

<https://www.target.com/s/oxo+softworks+pop+containers> (website published prior to Dec. 29, 2016).

Airtight POP Container Square 0.9 Qt For Brown Sugar | OXO (<https://www.oxo.com/categories/cooking-and-baking/food-containers/pop-containers/pop-container-sm-square-0-9-qt-0-9-l.html>) publicly available prior to Dec. 29, 2017.

POP Container Square 2.5 Qt For Rice | OXO Good Grips (<https://www.oxo.com/categories/cooking-and-baking/food-containers/pop-containers/pop-container-rectangle-2-5-qt-2-3-l.html>) publicly available prior to Dec. 29, 2017.

* cited by examiner

Primary Examiner — Terry A Wallace
 (74) *Attorney, Agent, or Firm* — Rankin, Hill & Clark LLP

(57) **CLAIM**

The ornamental design for a container, as shown and described.

DESCRIPTION

FIG. 1 is an upper perspective view of a container with a button in an extended position according to a first embodiment;

FIG. 2 is another upper perspective view thereof with the button in a depressed position;

FIG. 3 is a lower perspective view thereof;

FIG. 4 is a front elevation view thereof with the button in the extended position and the rear being identical.

FIG. 5 is a front elevation view thereof with the button in the depressed position, and the rear being identical;

FIG. 6 is a side elevation view thereof with the button in the extended position, and the opposite side being identical;

FIG. 7 is a side elevation view thereof with the button in the depressed position, and the opposite side being identical;

FIG. 8 is a top plan view thereof;

FIG. 9 is a bottom plan view thereof;

FIG. 10 is an upper perspective view of a container with the button in an extended position according to a second embodiment;

FIG. 11 is another upper perspective view thereof with the button in a depressed position;

FIG. 12 is a lower perspective view thereof;

FIG. 13 is a front elevation view thereof with the button in the extended position, and the rear being identical;

FIG. 14 is a front elevation view thereof with the button in the depressed position, and the rear being identical;

FIG. 15 is a side elevation view thereof with the button in the extended position, and the opposite side being identical;

FIG. 16 is a side elevation view thereof with the button in the depressed position, and the opposite side being identical;

FIG. 17 is a top plan view thereof;

FIG. 18 is a bottom plan view thereof;

FIG. 19 is an upper perspective view of a container with a button in an extended position according to a third embodiment;

FIG. 20 is another upper perspective view thereof with the button in a depressed position;

FIG. 21 is a lower perspective view thereof;

FIG. 22 is a front elevation view thereof with the button in the extended position, and the rear being identical;

FIG. 23 is a front elevation view thereof with the button in the depressed position, and the rear being identical;

FIG. 24 is a side elevation view thereof with the button in the extended position, and the opposite side being identical;

FIG. 25 is a side elevation view thereof with the button in the depressed position, and the opposite side being identical;

FIG. 26 is a top plan view thereof;

FIG. 27 is a bottom plan view thereof;

FIG. 28 is an upper perspective view of a container with a button in an extended position according to a fourth embodiment;

FIG. 29 is another upper perspective view thereof with the button in a depressed position;

FIG. 30 is a lower perspective view thereof;

FIG. 31 is a front elevation view thereof with the button in the extended position, and the rear being identical;

FIG. 32 is a front elevation view thereof with the button in the depressed position, and the rear being identical;

FIG. 33 is a side elevation view thereof with the button in the extended position, and the opposite side being identical;

FIG. 34 is a side elevation view thereof with the button in the depressed position, and the opposite side being identical;

FIG. 35 is a top plan view thereof;

FIG. 36 is a bottom plan view thereof;

FIG. 37 is an upper perspective view of a container with a button in an extended position according to a fifth embodiment;

FIG. 38 is another upper perspective view thereof with the button in a depressed position;

FIG. 39 is a lower perspective view thereof;

FIG. 40 is a front elevation view thereof with the button in the extended position, and the rear being identical;

FIG. 41 is a front elevation view thereof with the button in the depressed position, and the rear being identical;

FIG. 42 is a side elevation view thereof with the button in the extended position, and the opposite side being identical;

FIG. 43 is a side elevation view thereof with the button in the depressed position, and the opposite side being identical;

FIG. 44 is a top plan view thereof; and,

FIG. 45 is a bottom plan view thereof.

The container is shown broken along the height direction in FIGS. 37-43 to indicate indeterminate height, with the understanding the “indeterminate” height portion of the

container not shown forms no part of the claimed design.
Patentability is based only on those portions of the article
that are shown in solid lines.

1 Claim, 45 Drawing Sheets

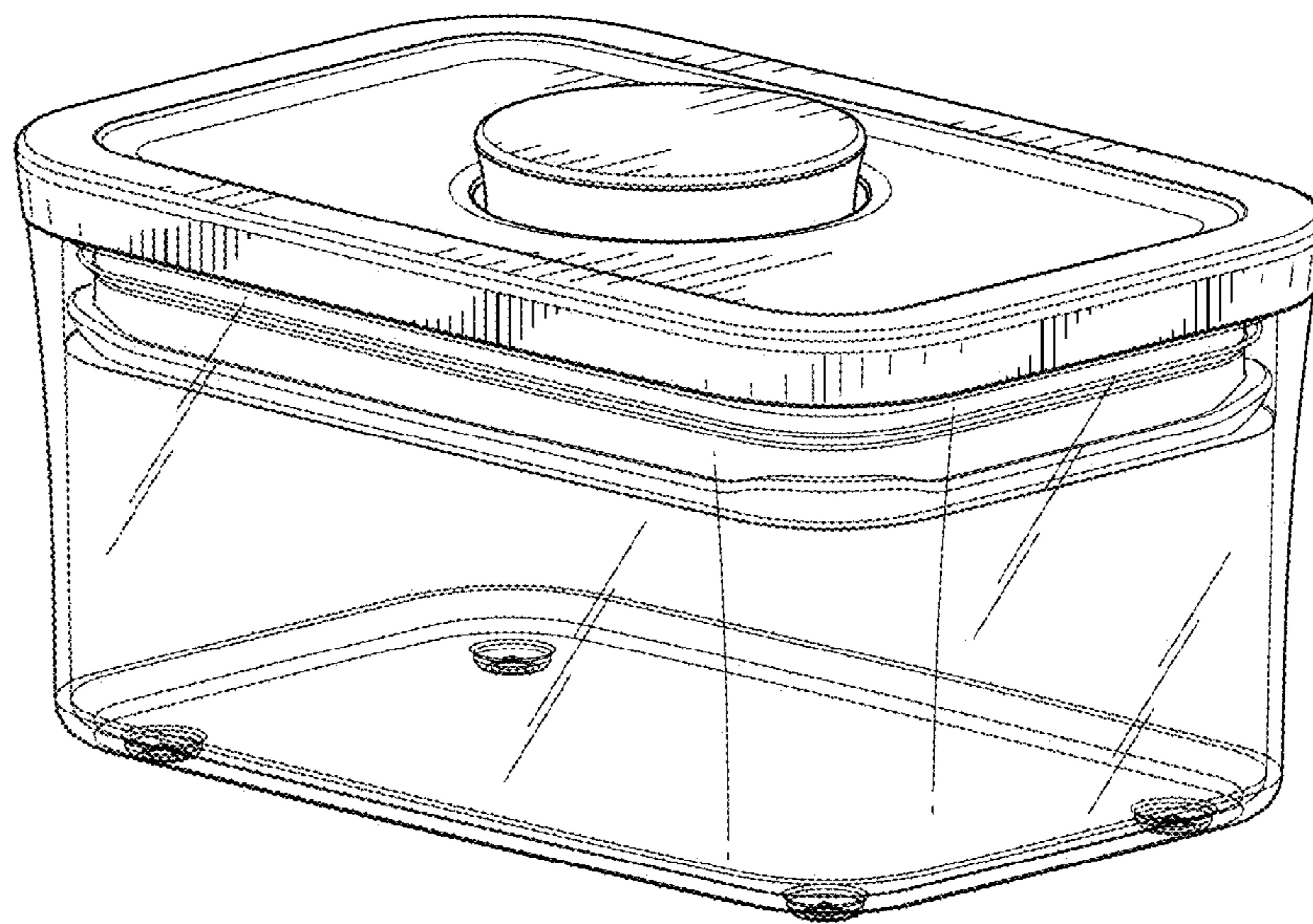


FIG. 1

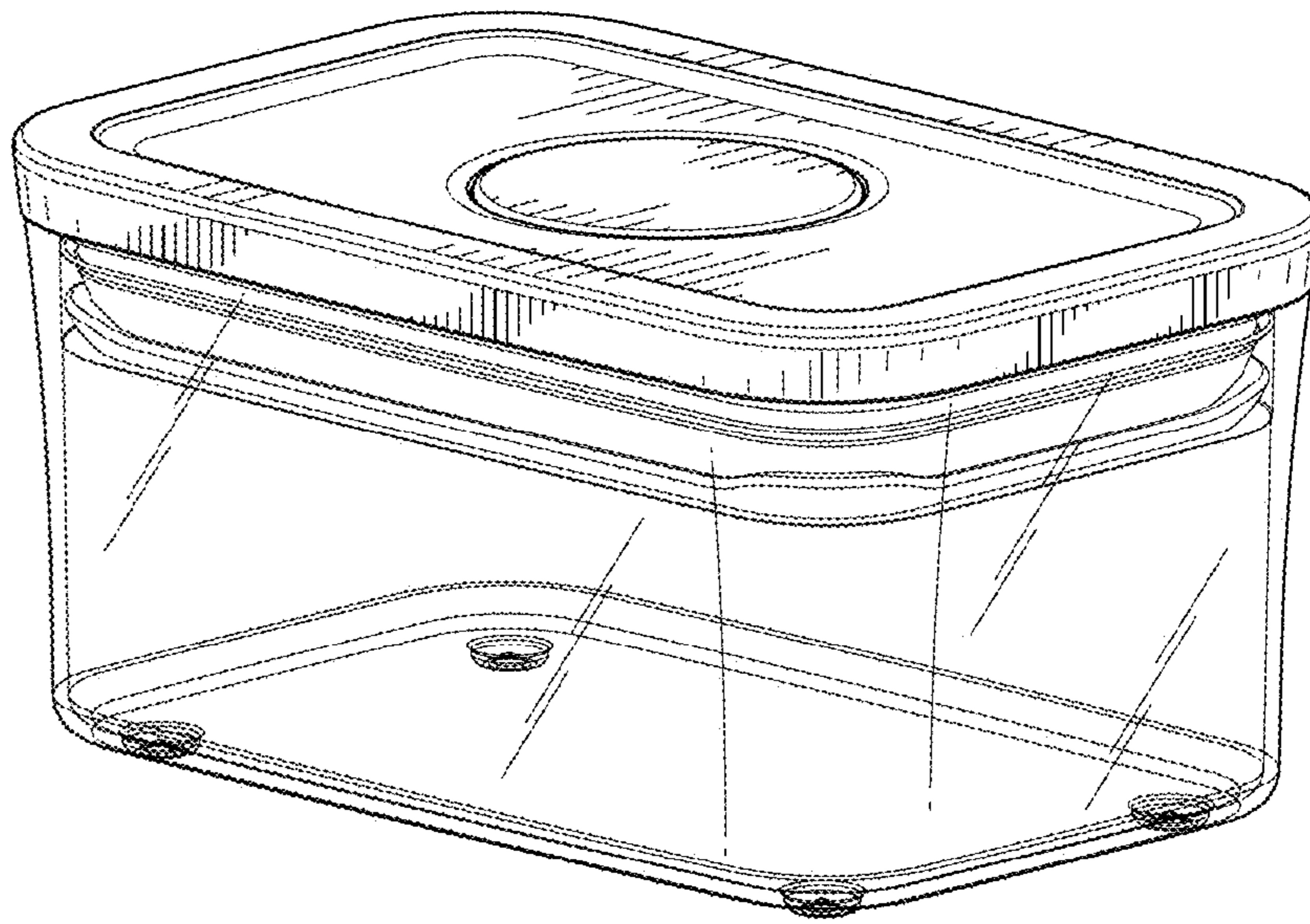


FIG. 2

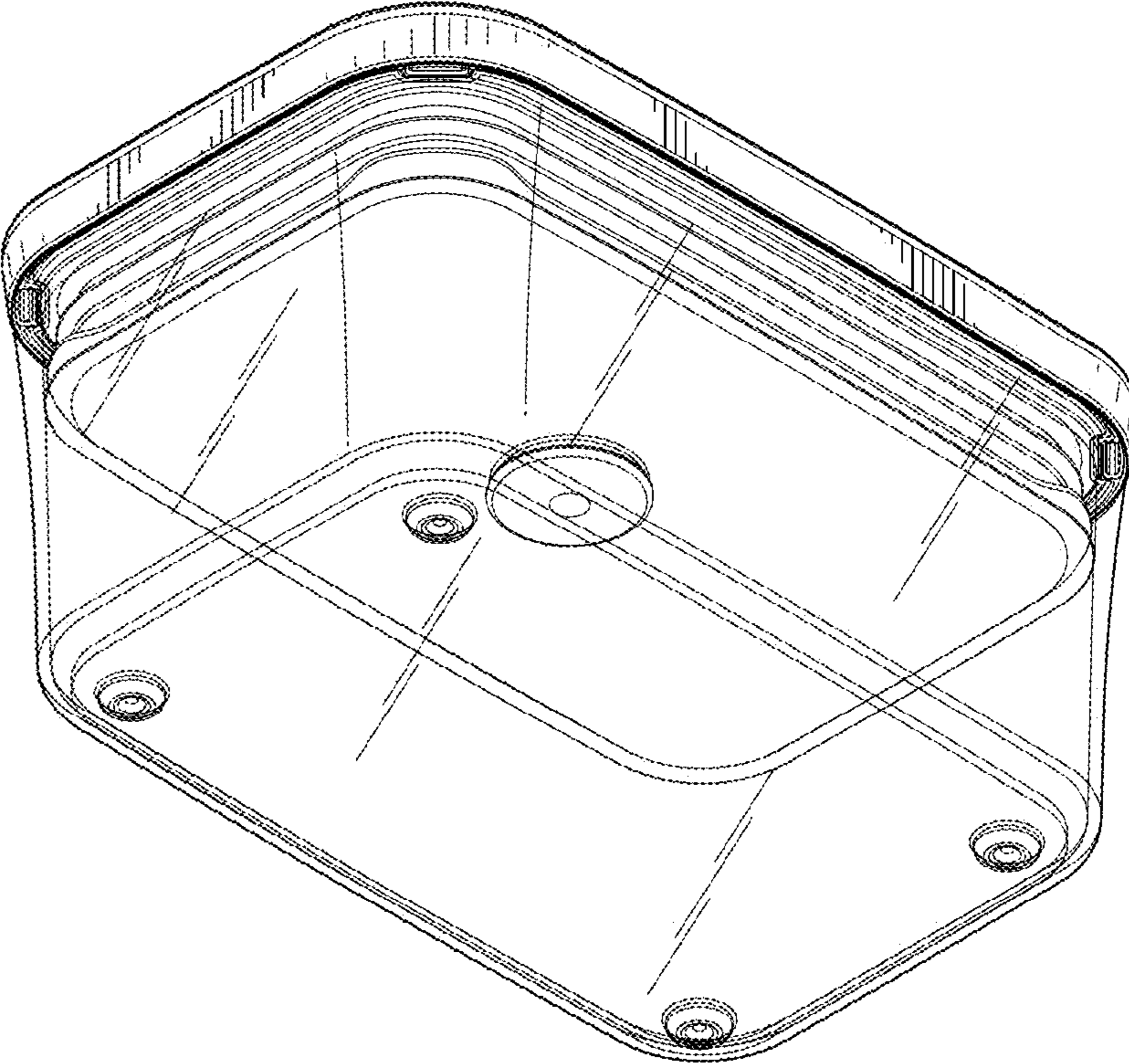


FIG.3

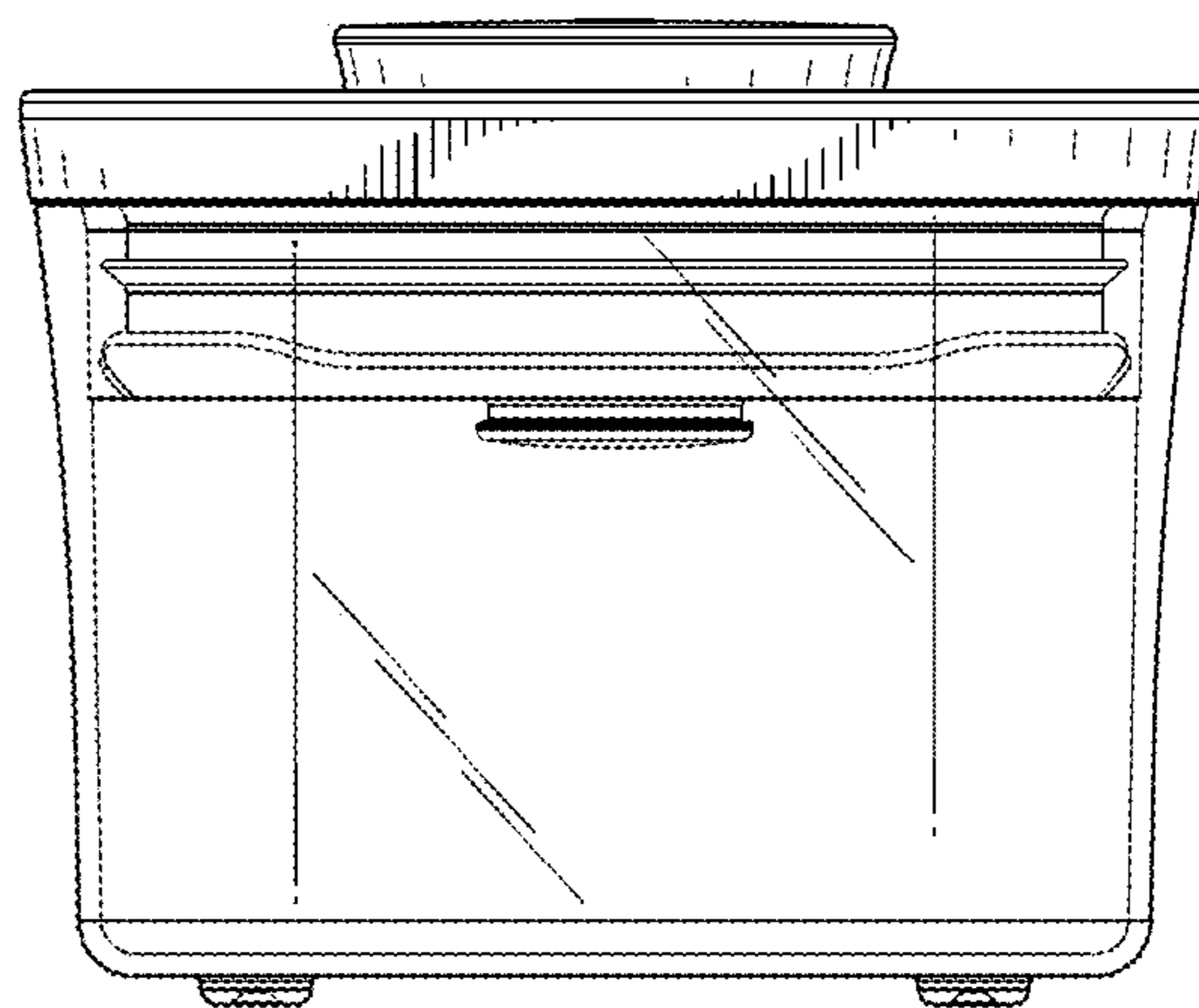


FIG. 4

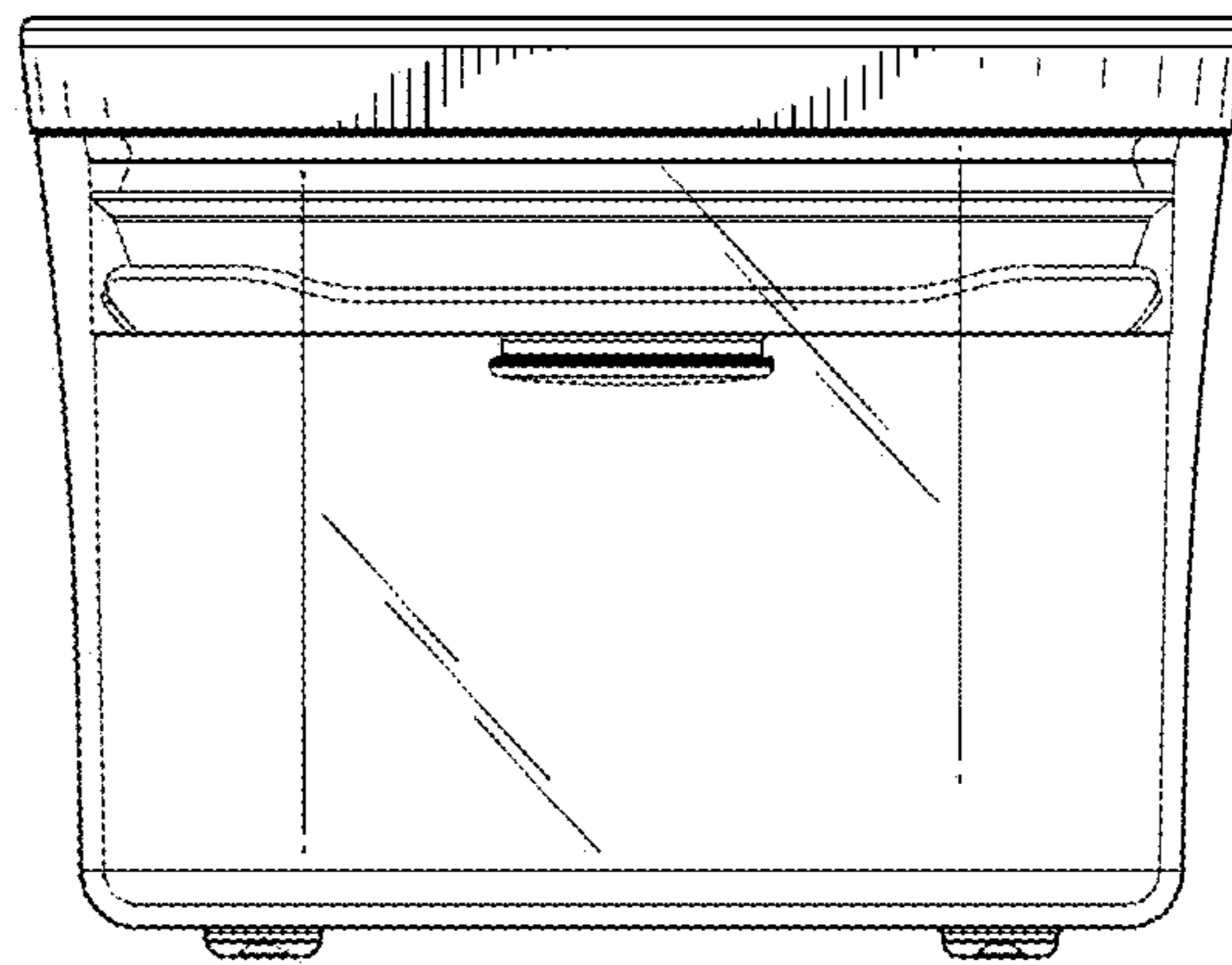


FIG. 5

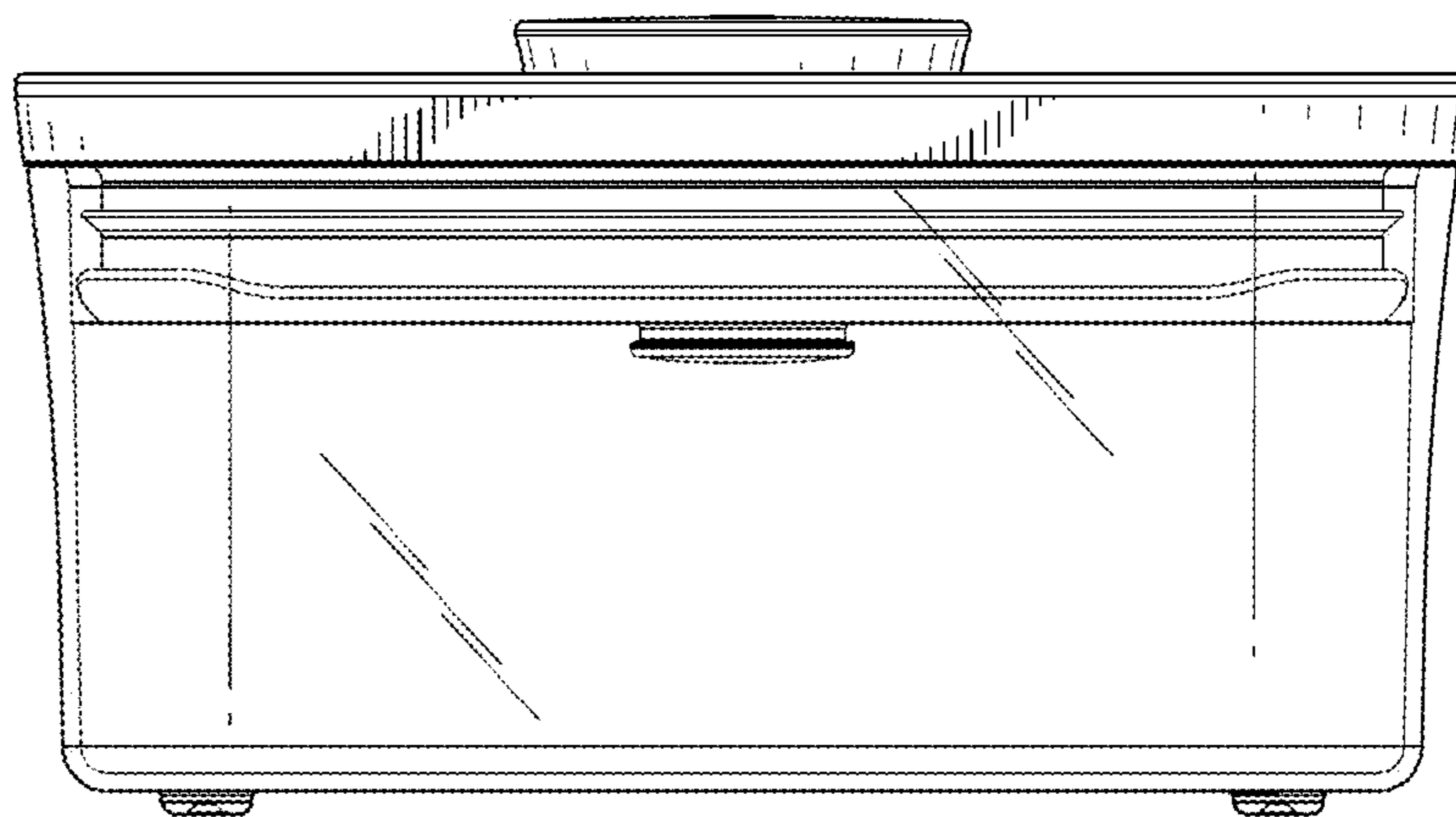


FIG.6

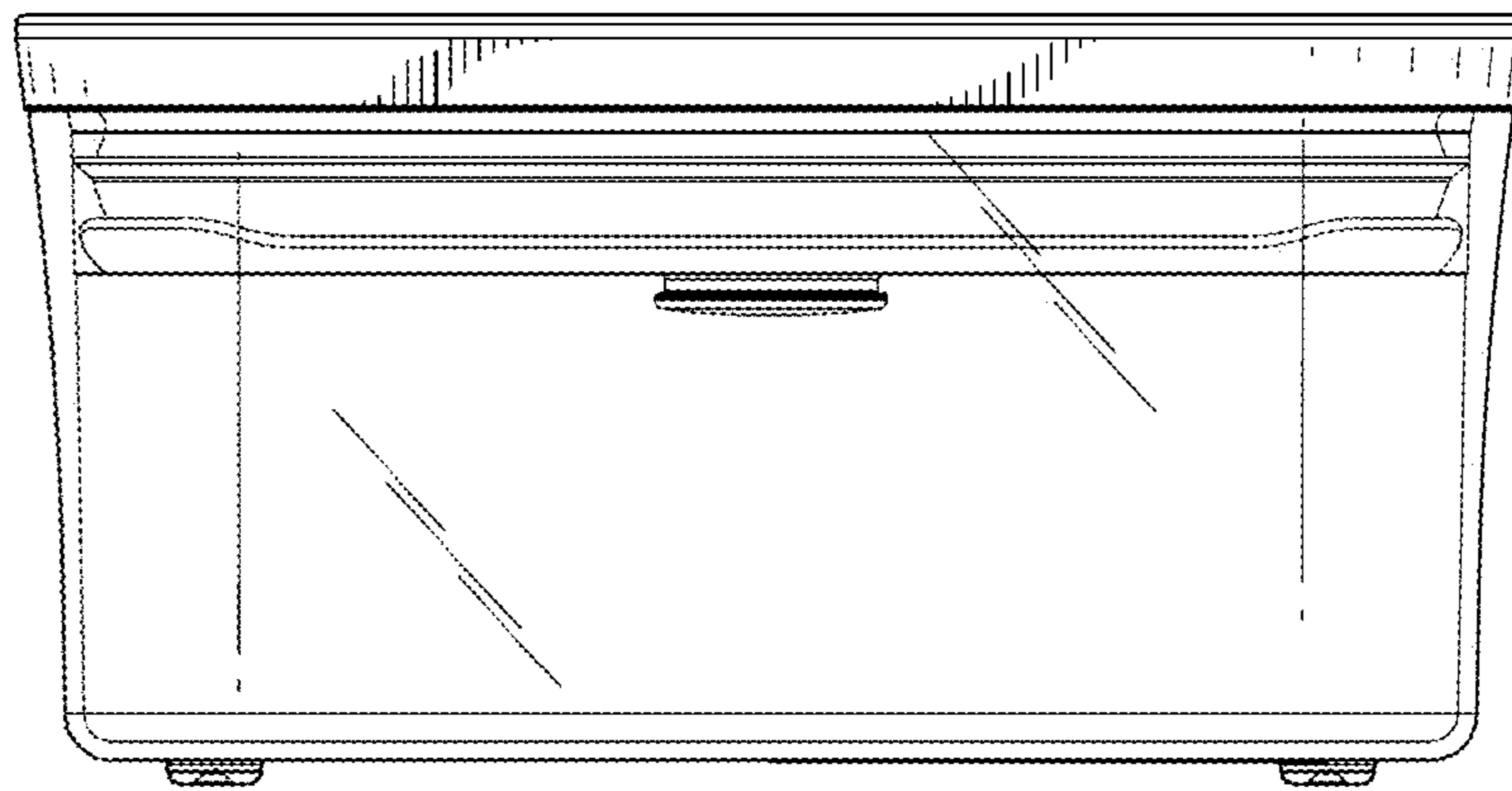


FIG. 7

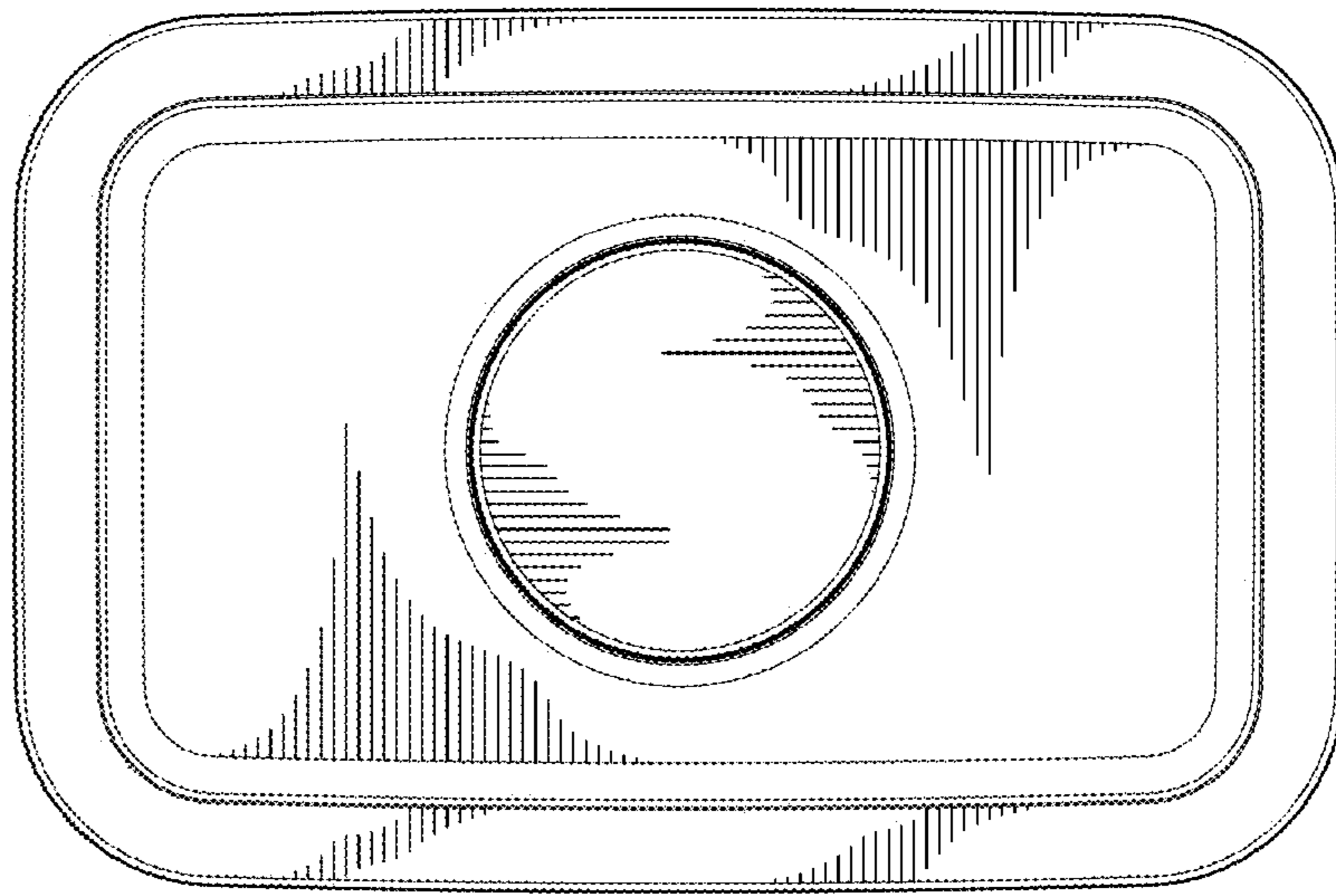


FIG. 8

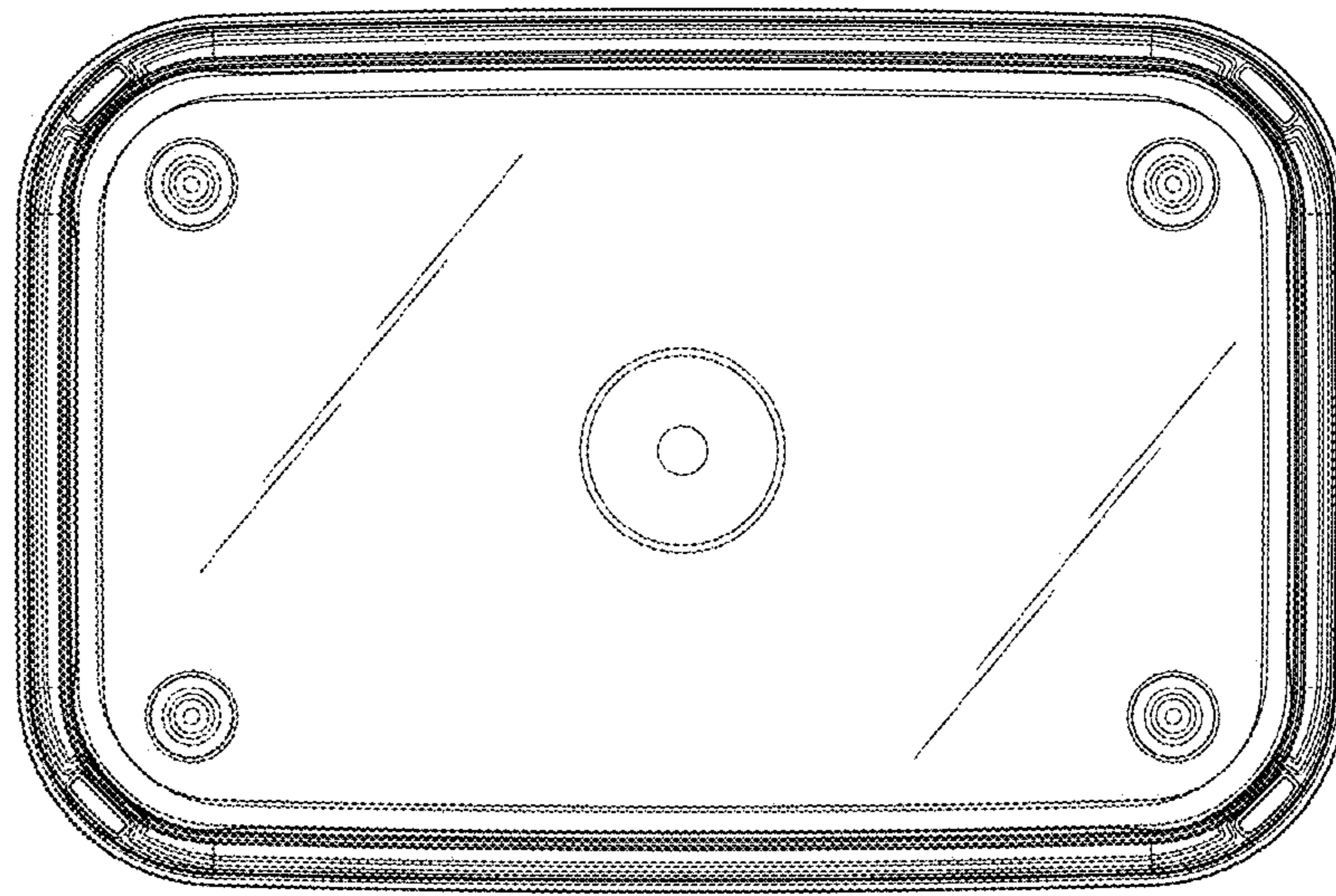


FIG. 9

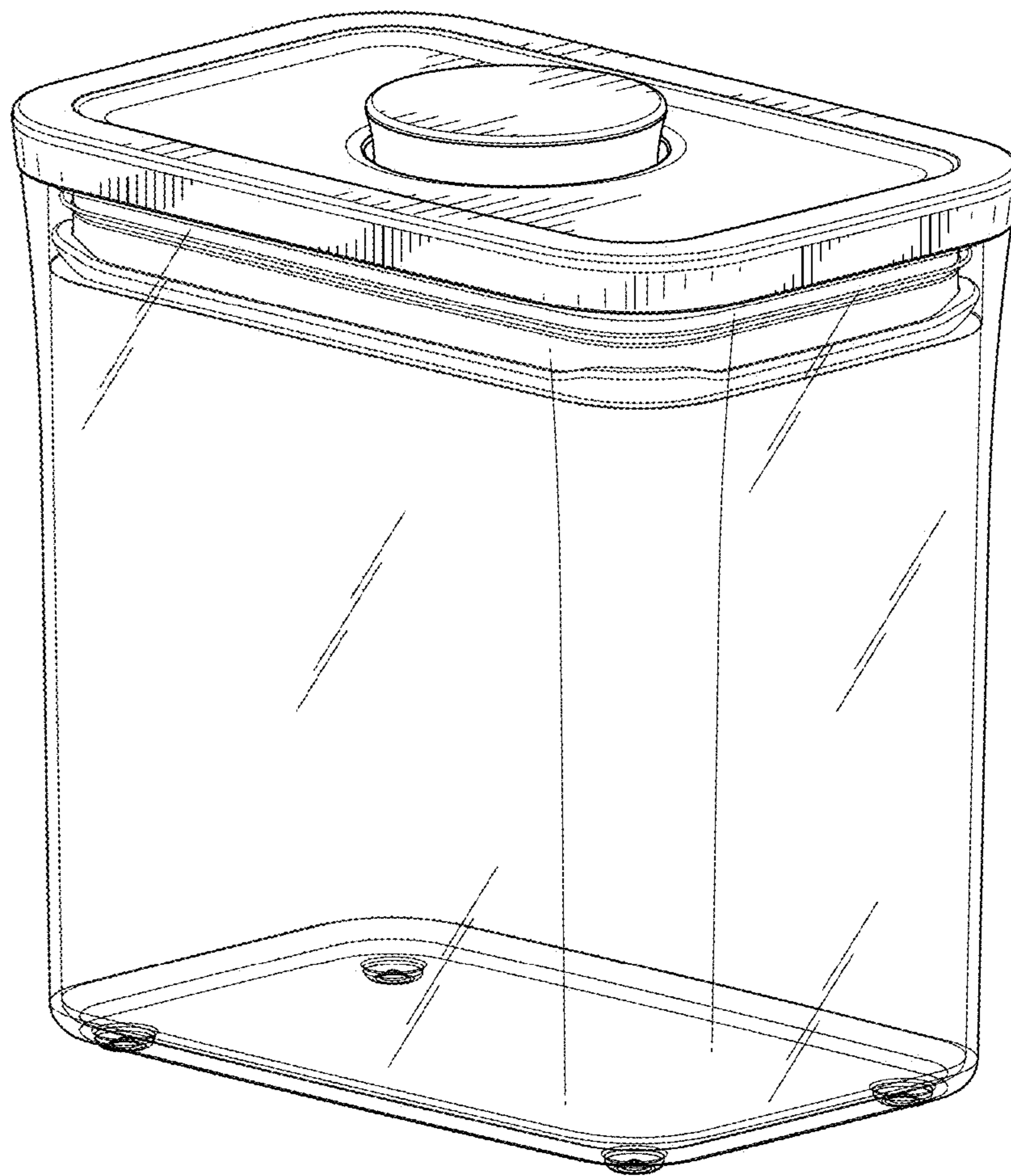


FIG. 10

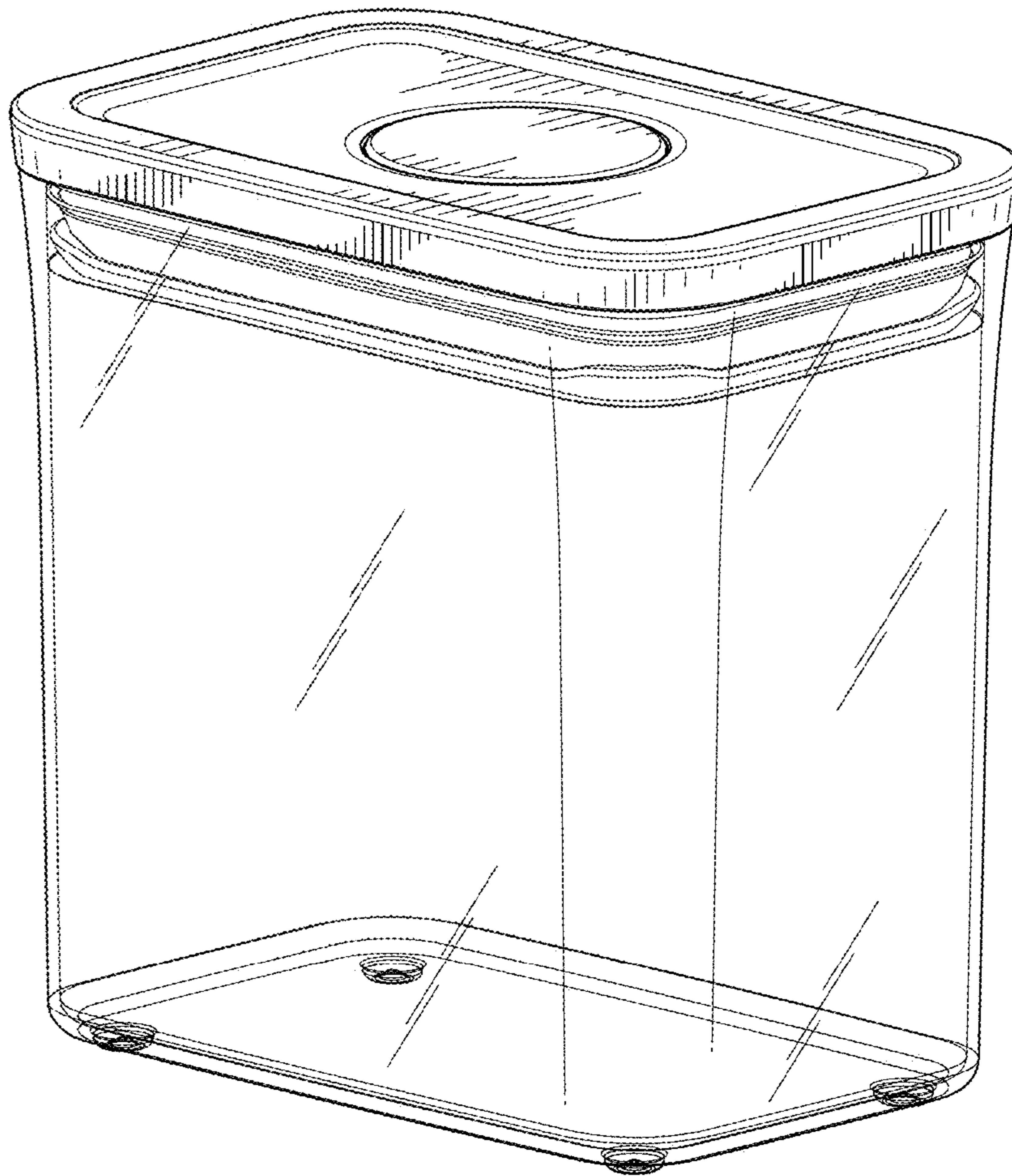


FIG. 11

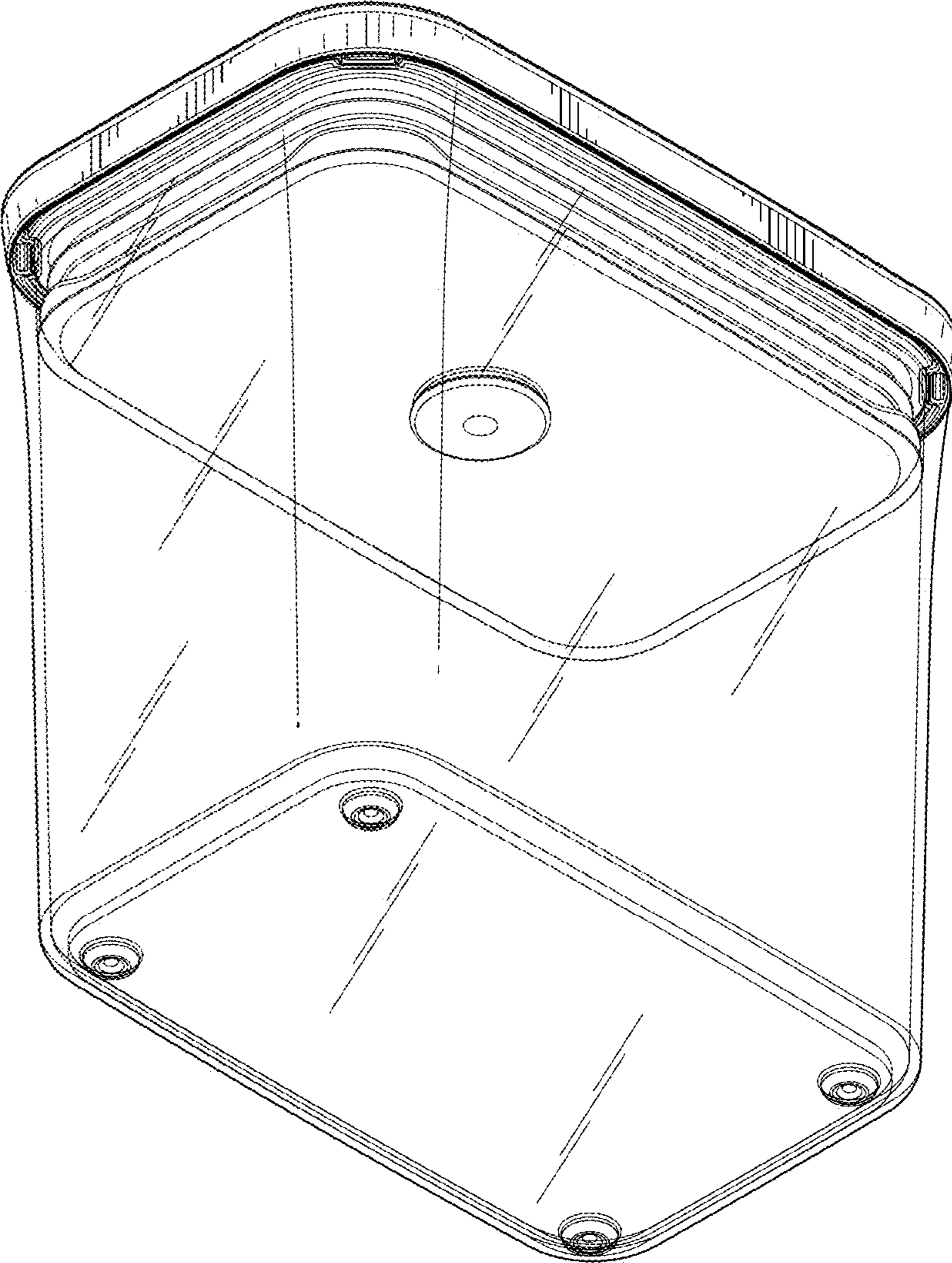


FIG.12

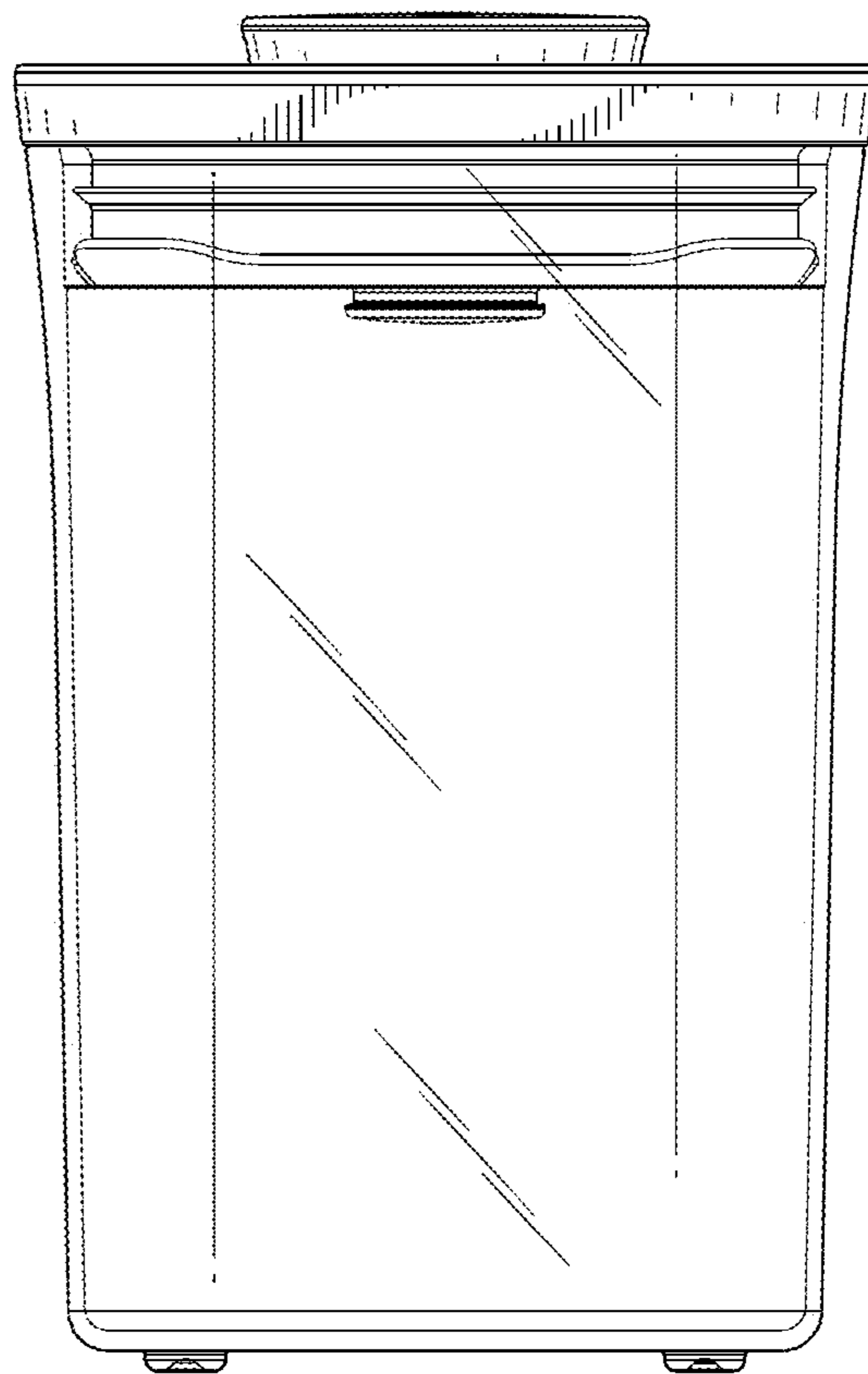


FIG. 13

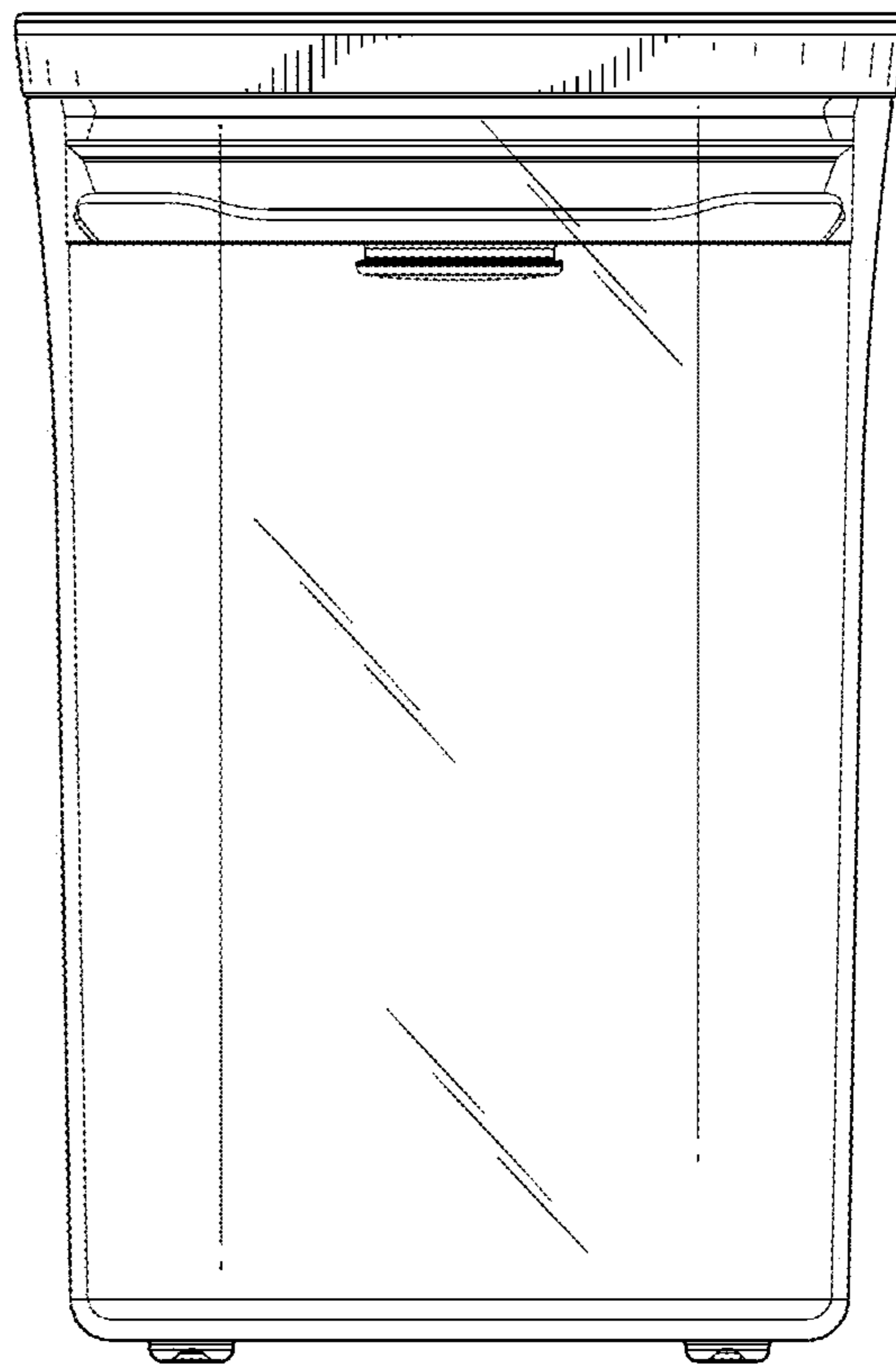


FIG. 14

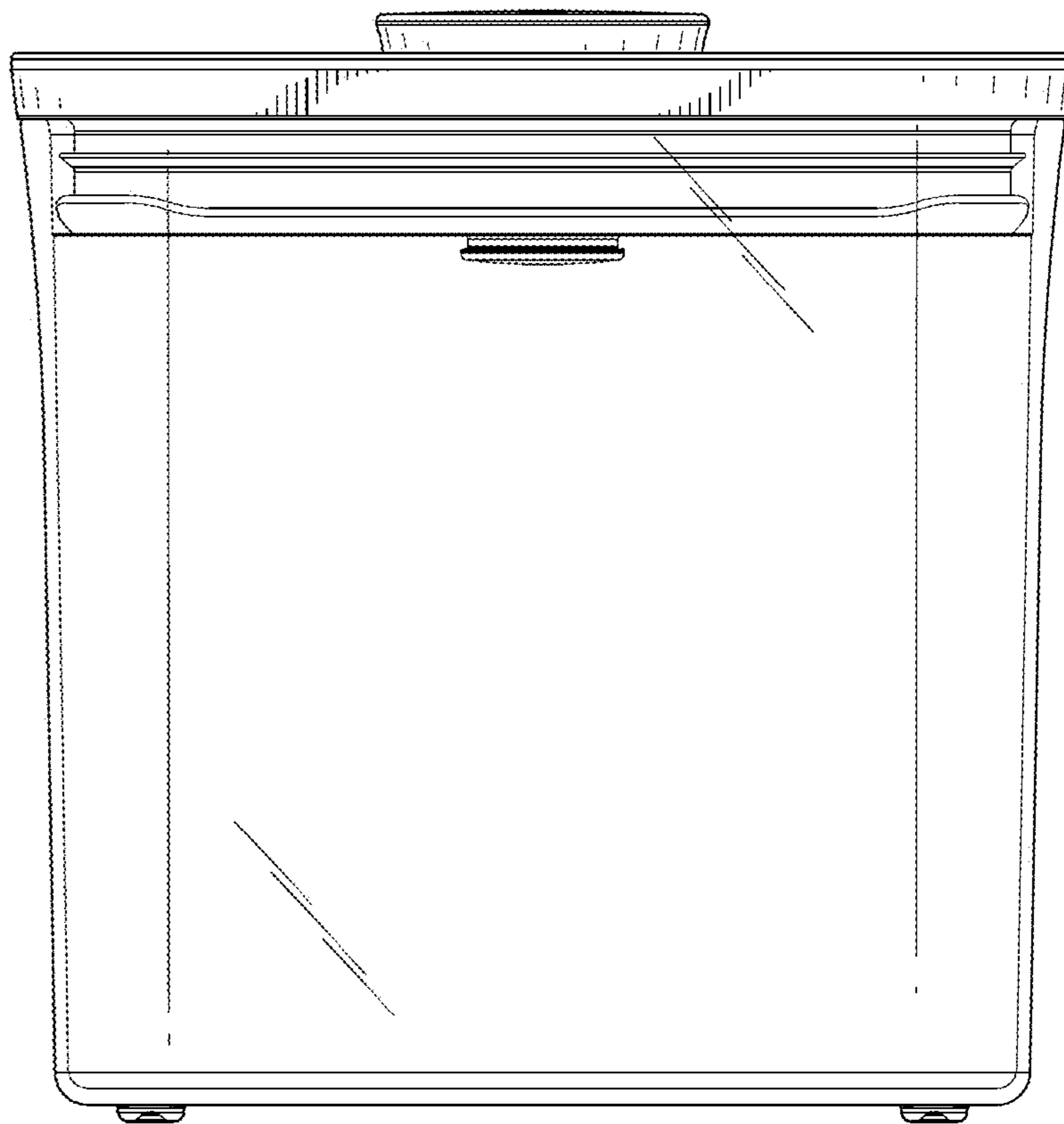


FIG. 15

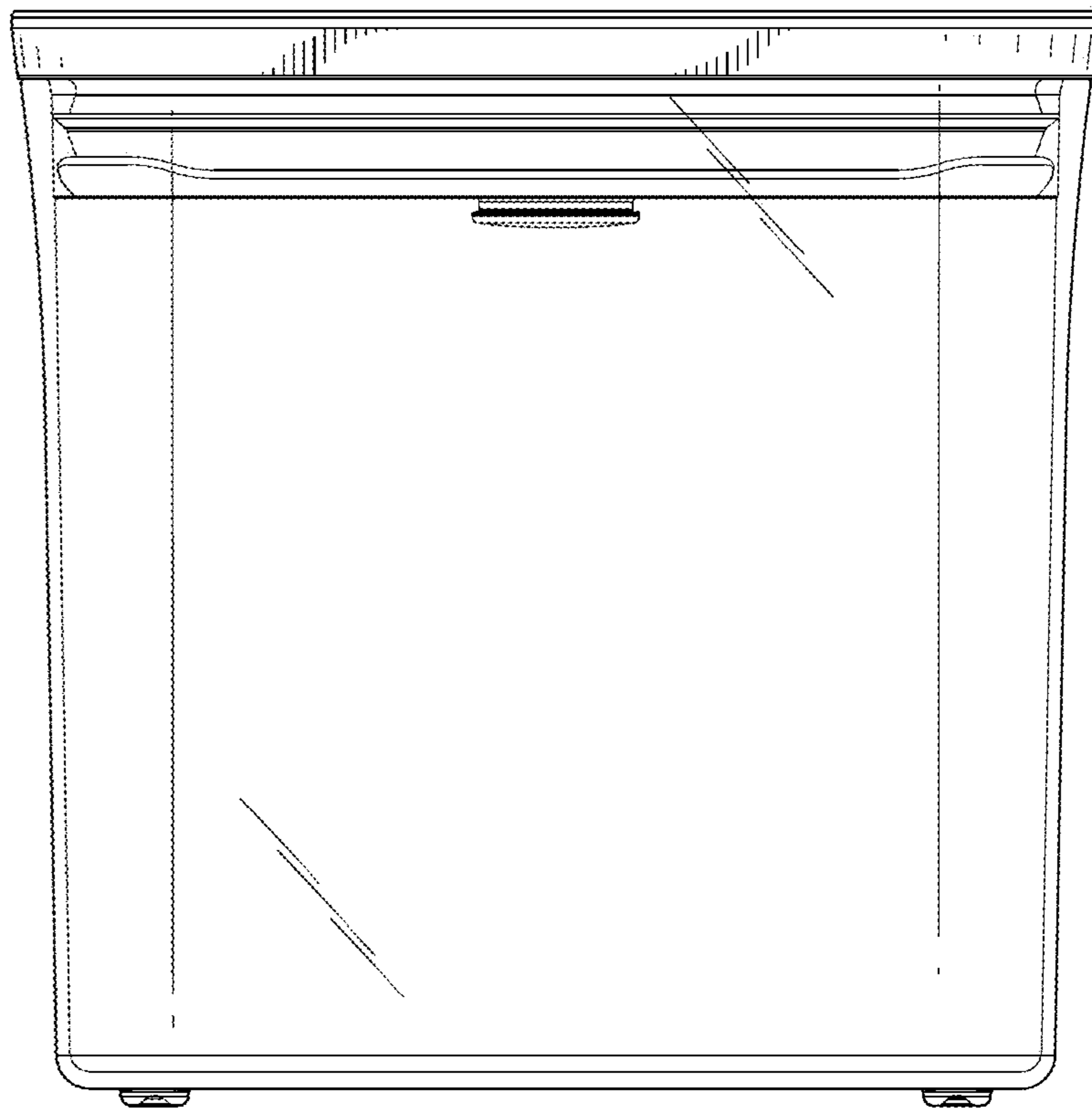


FIG. 16

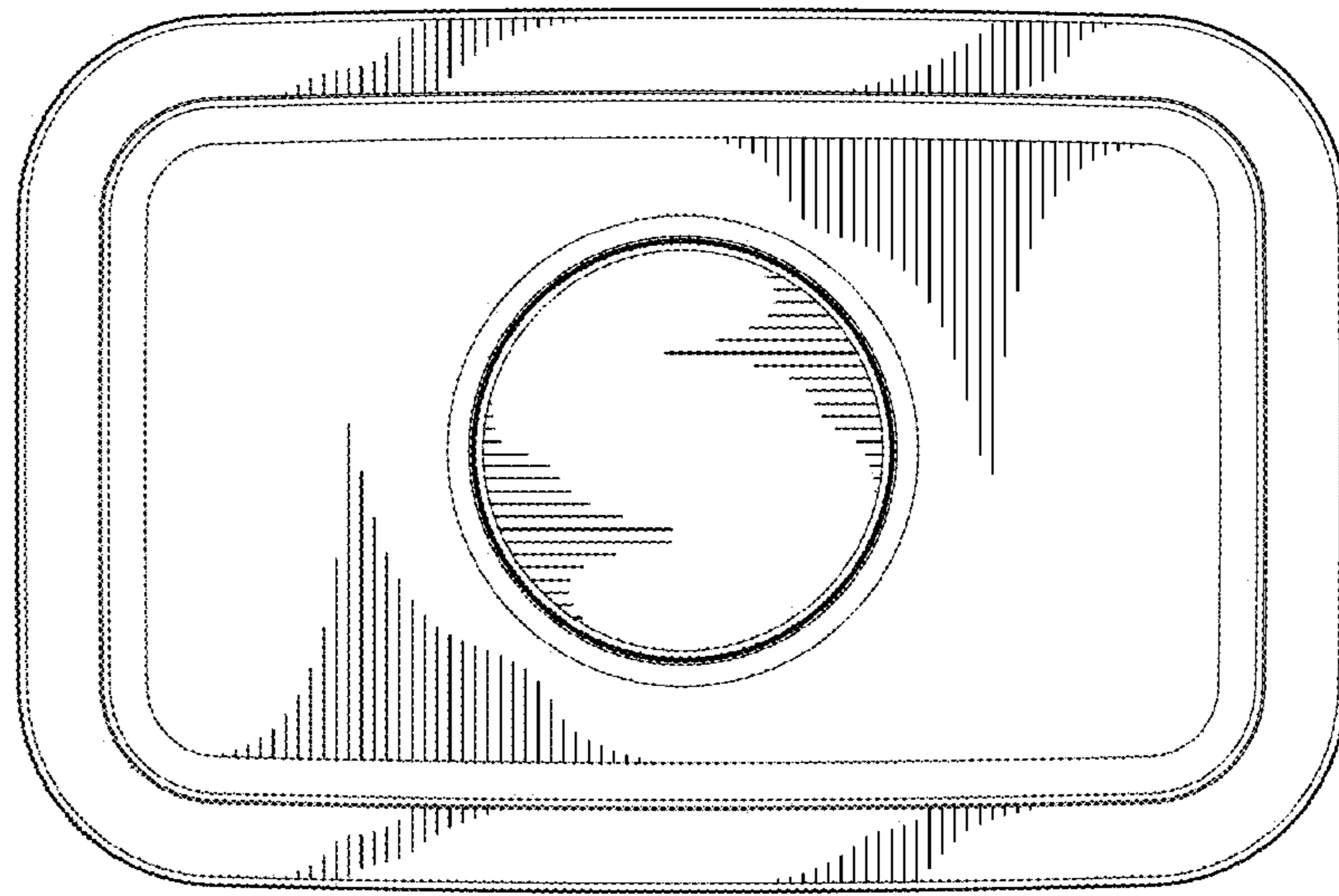


FIG. 17

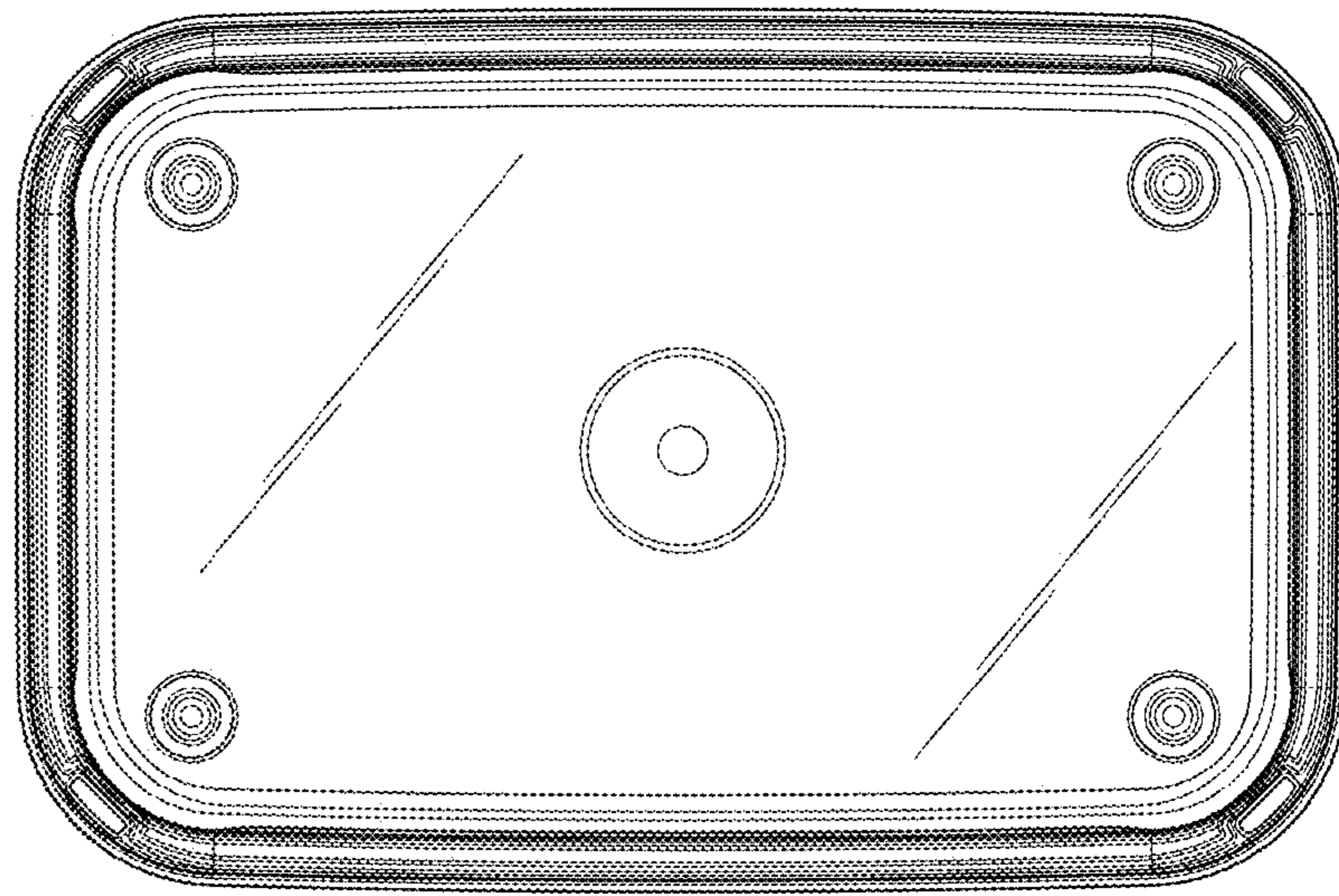


FIG. 18

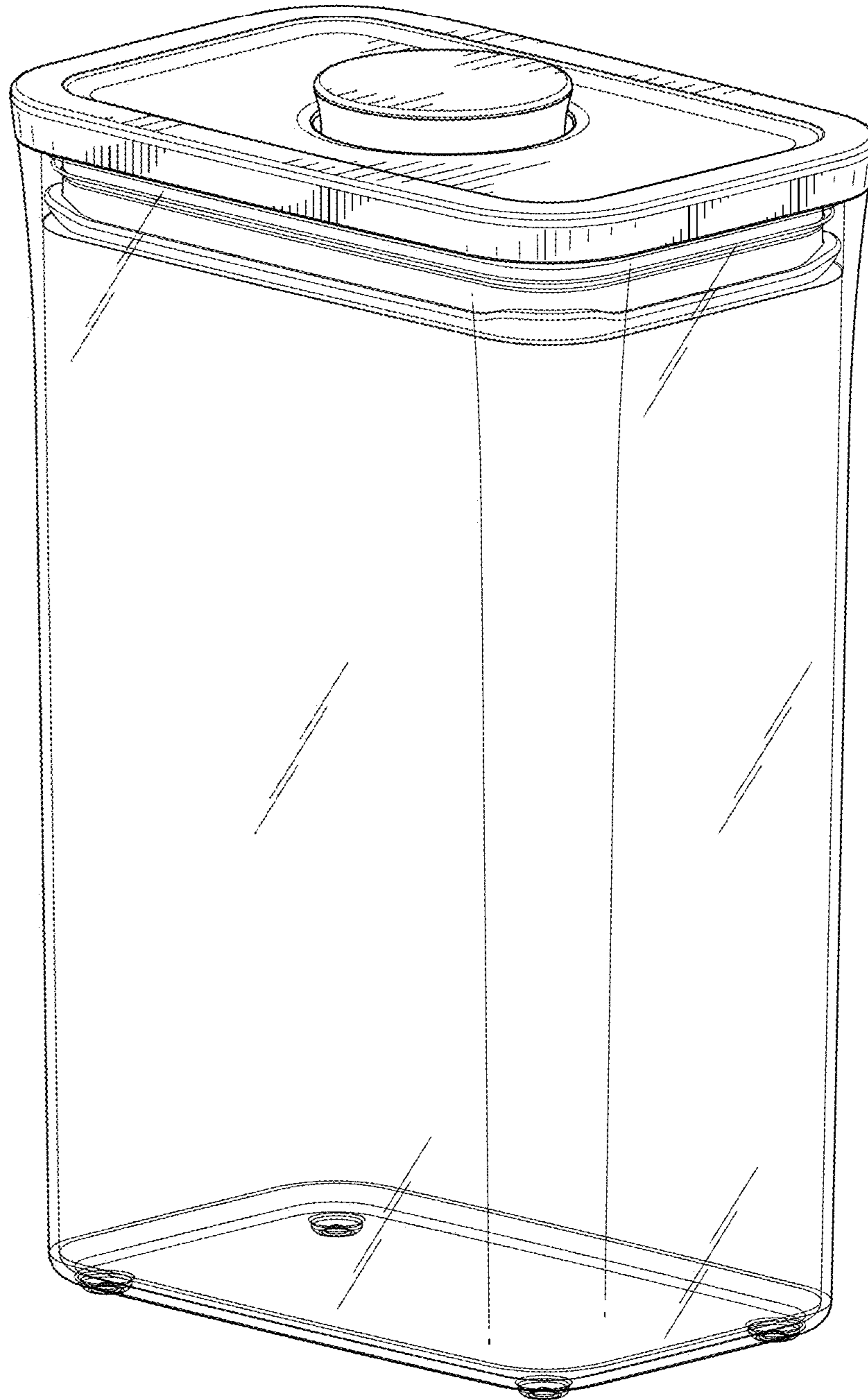


FIG. 19

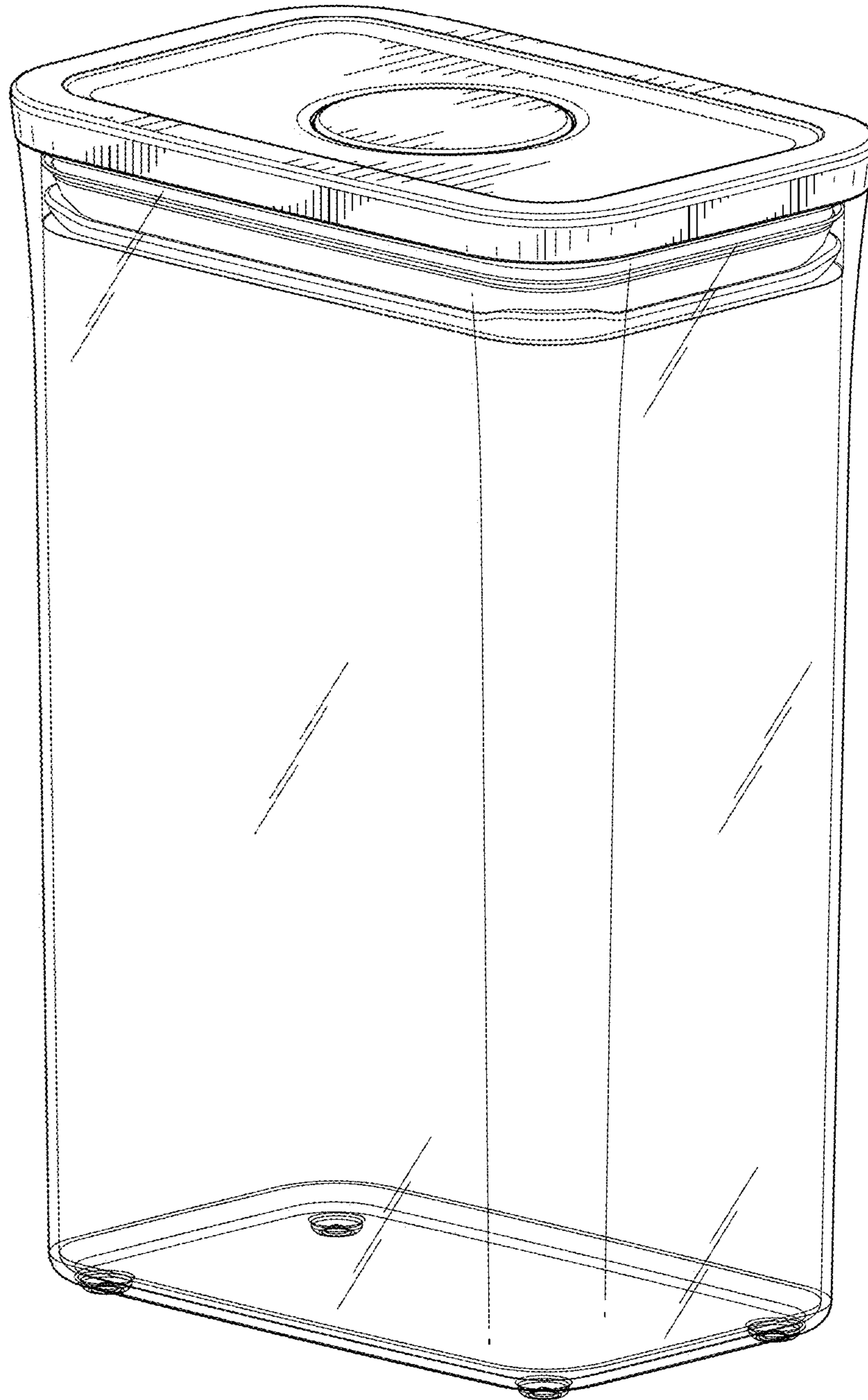


FIG. 20

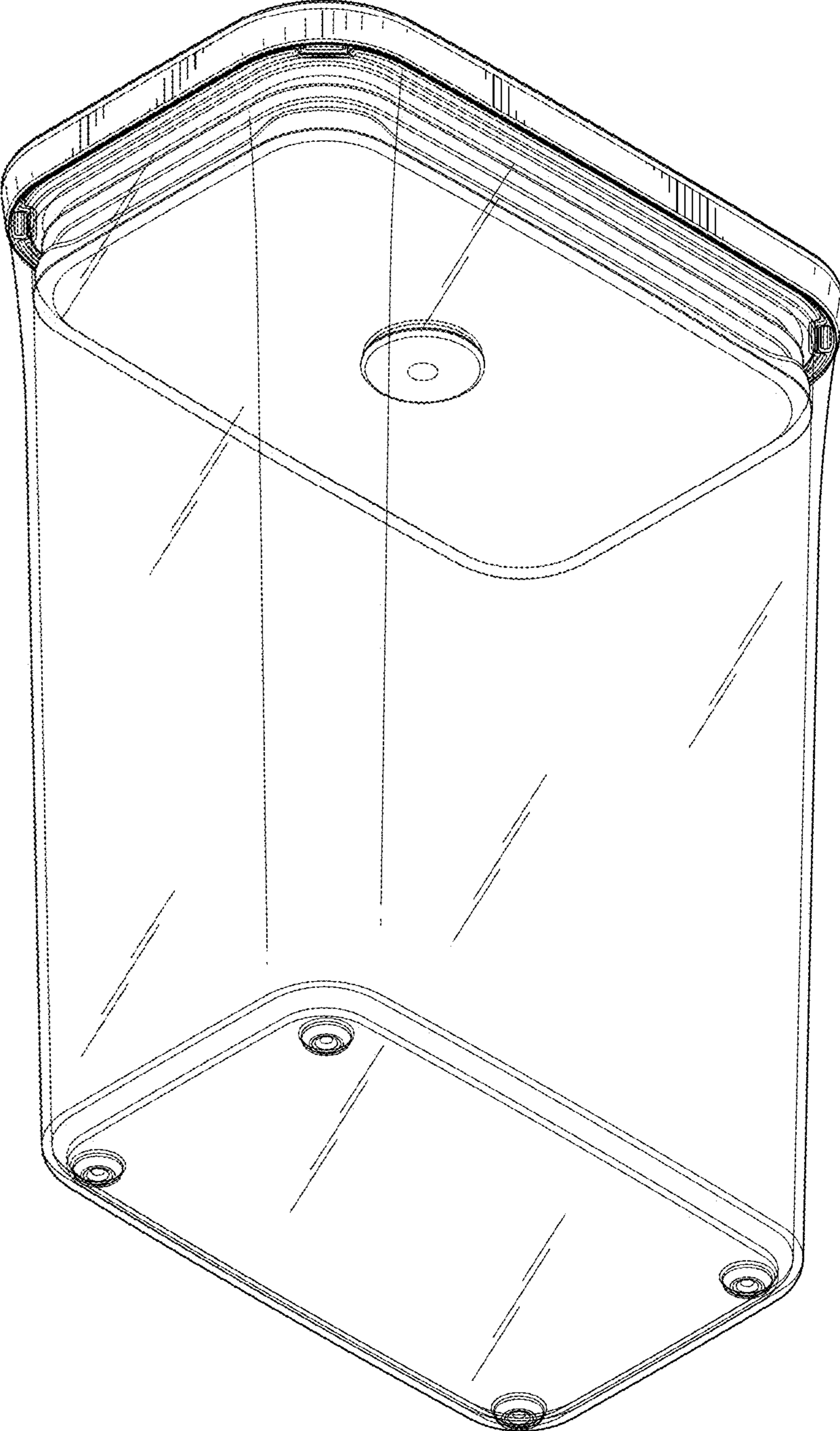


FIG.21

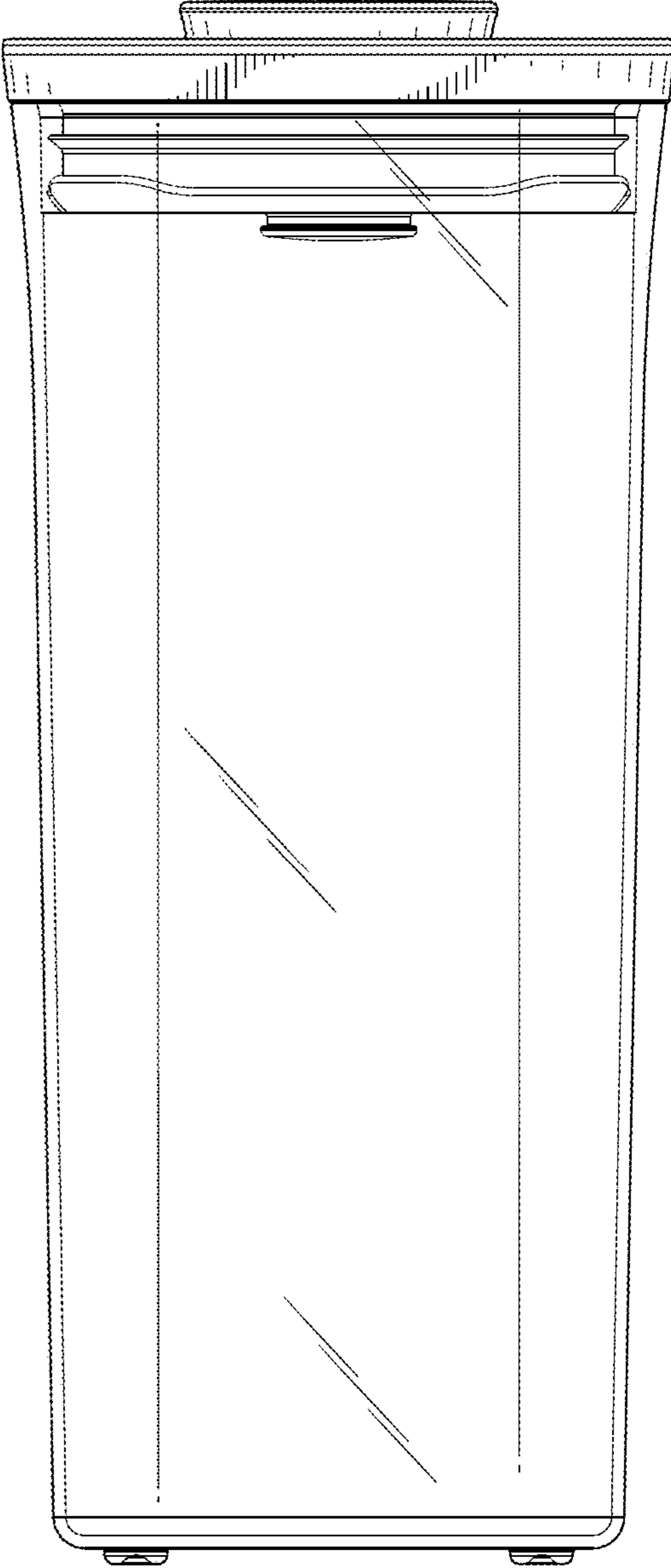


FIG.22

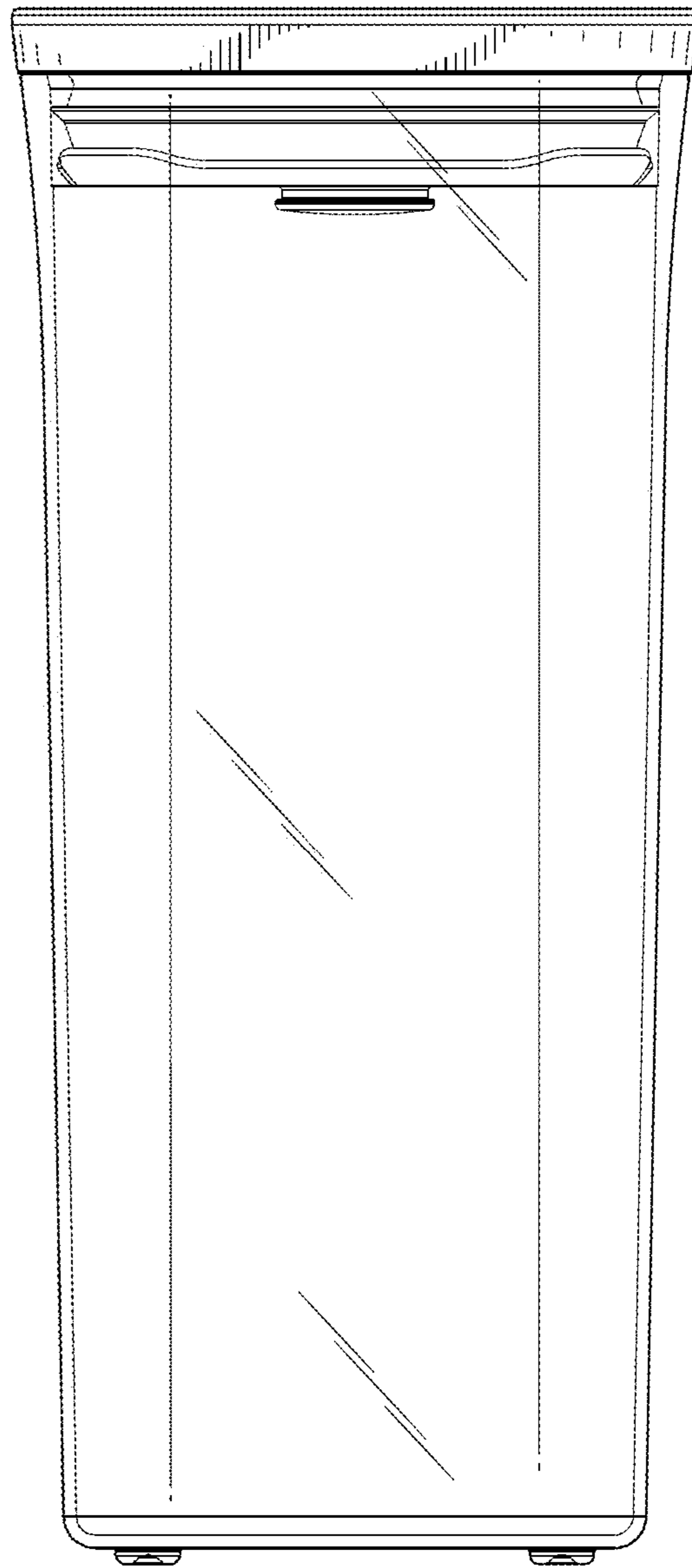


FIG.23

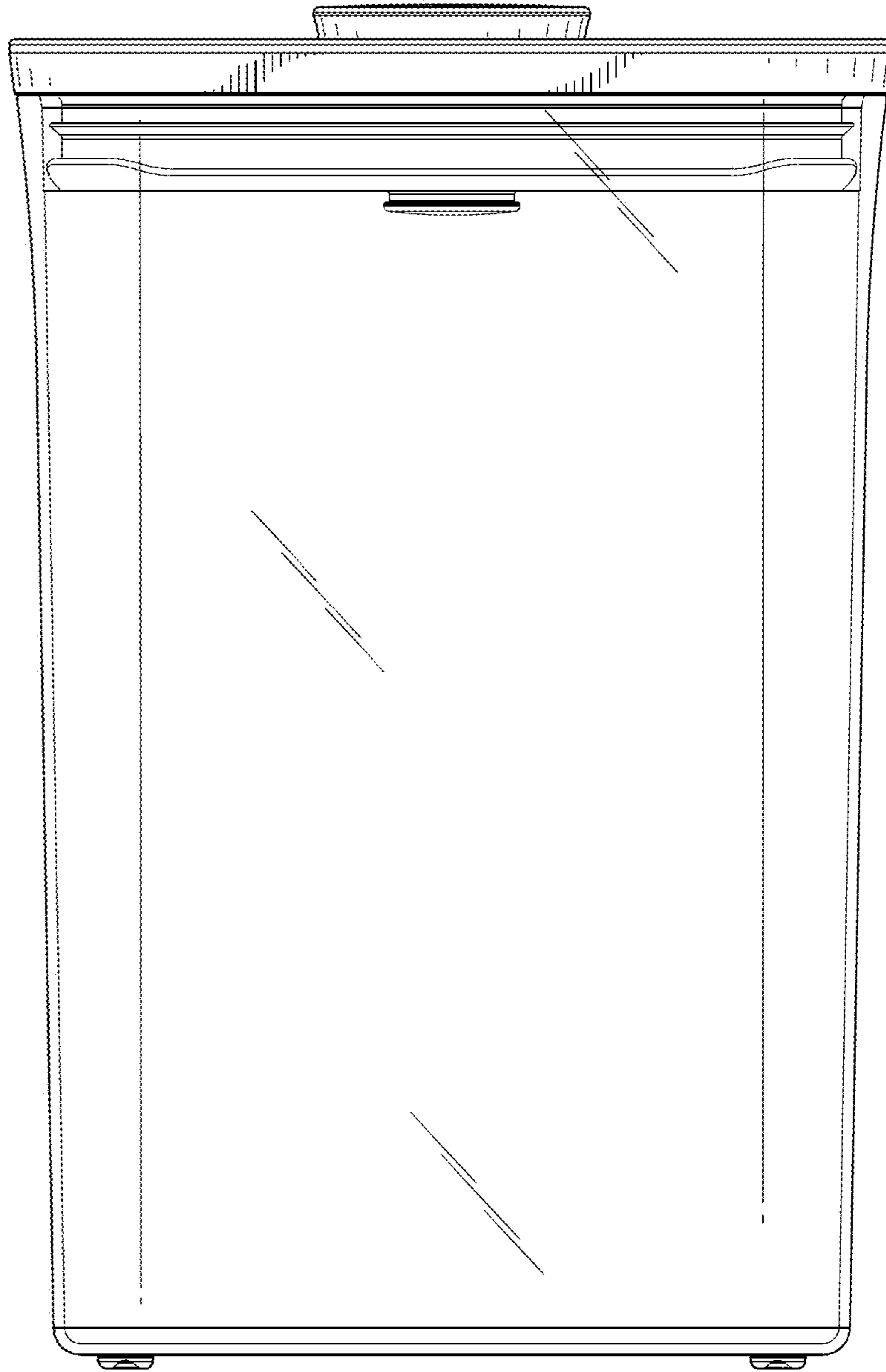


FIG.24

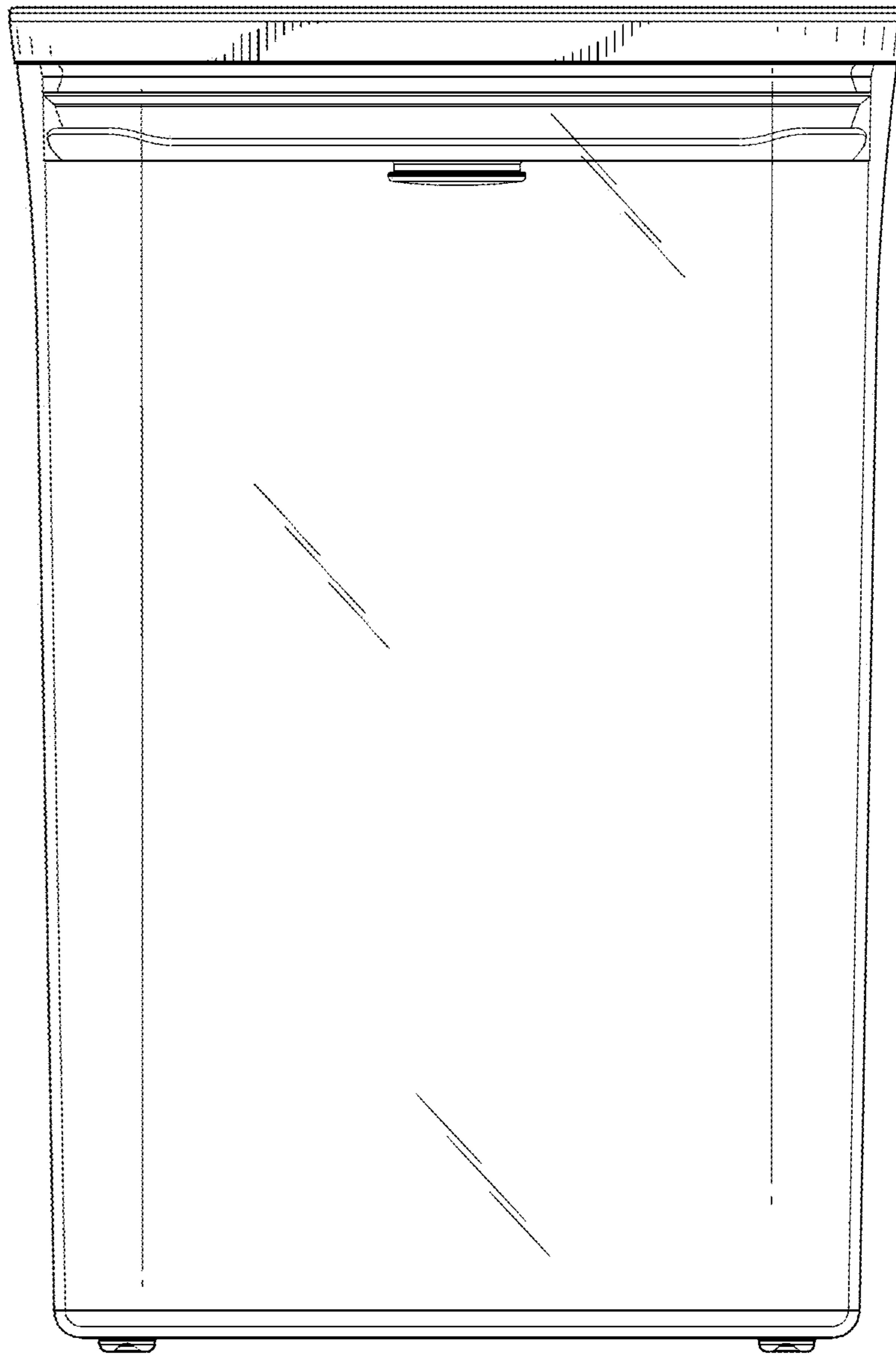


FIG.25

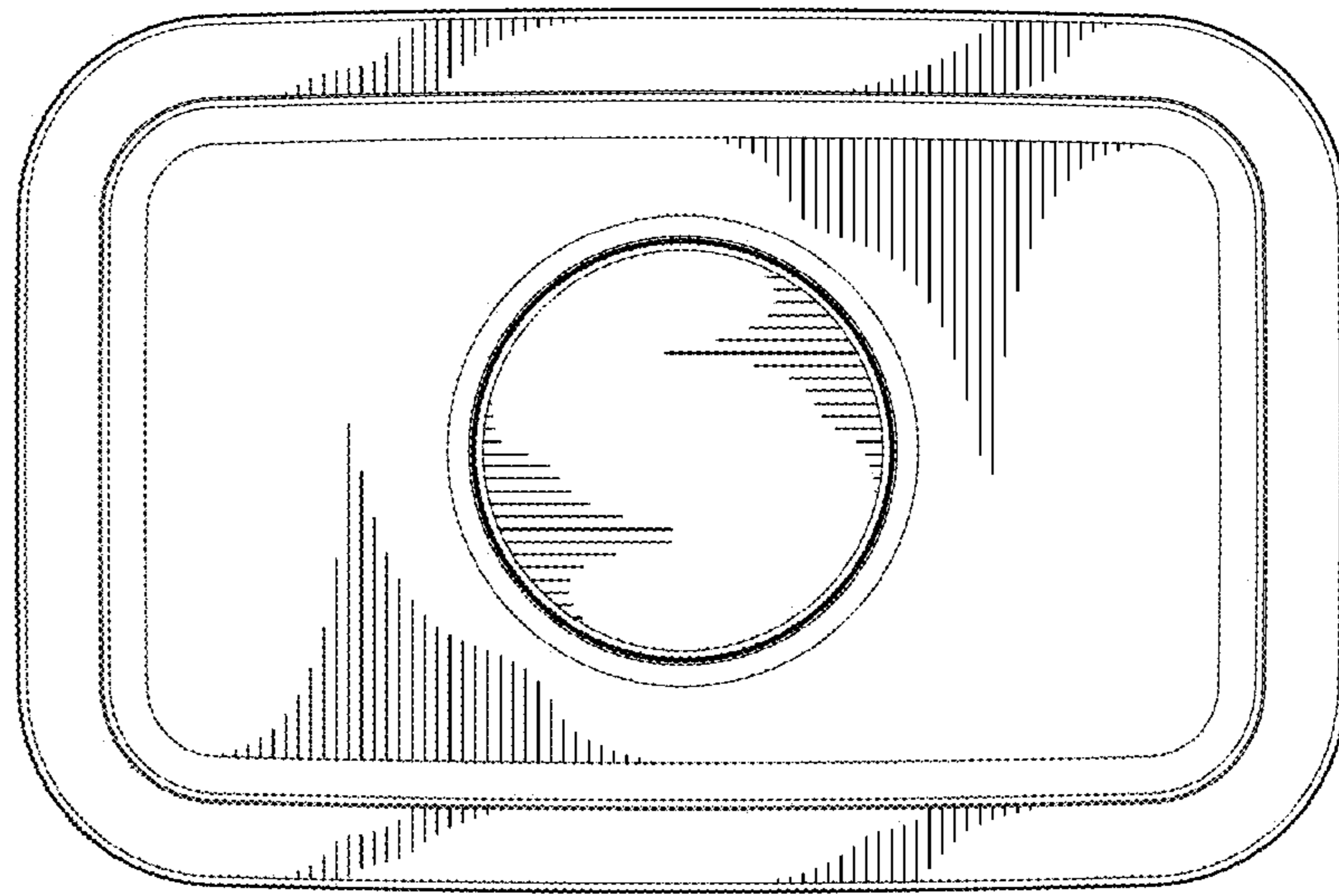


FIG. 26

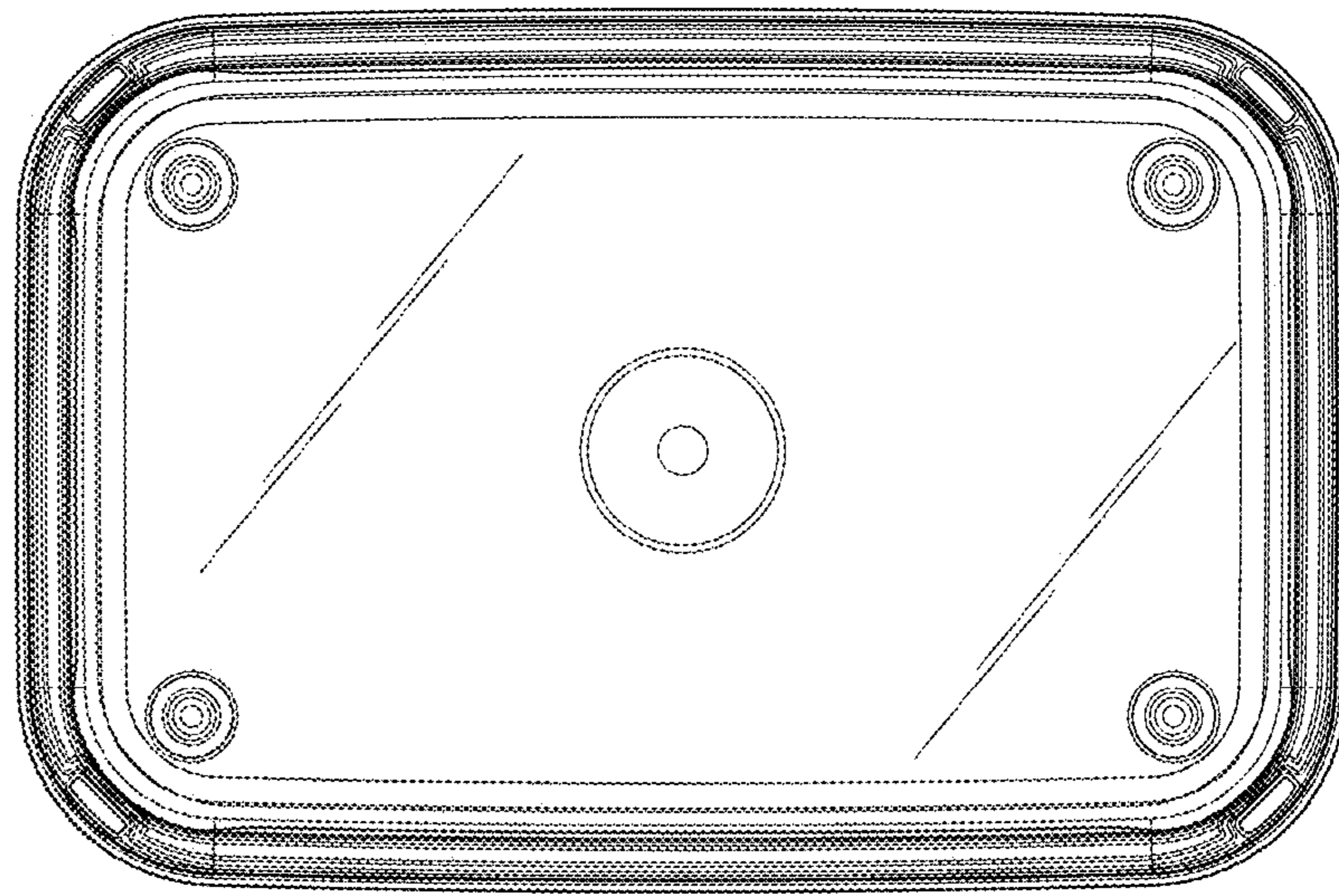


FIG.27

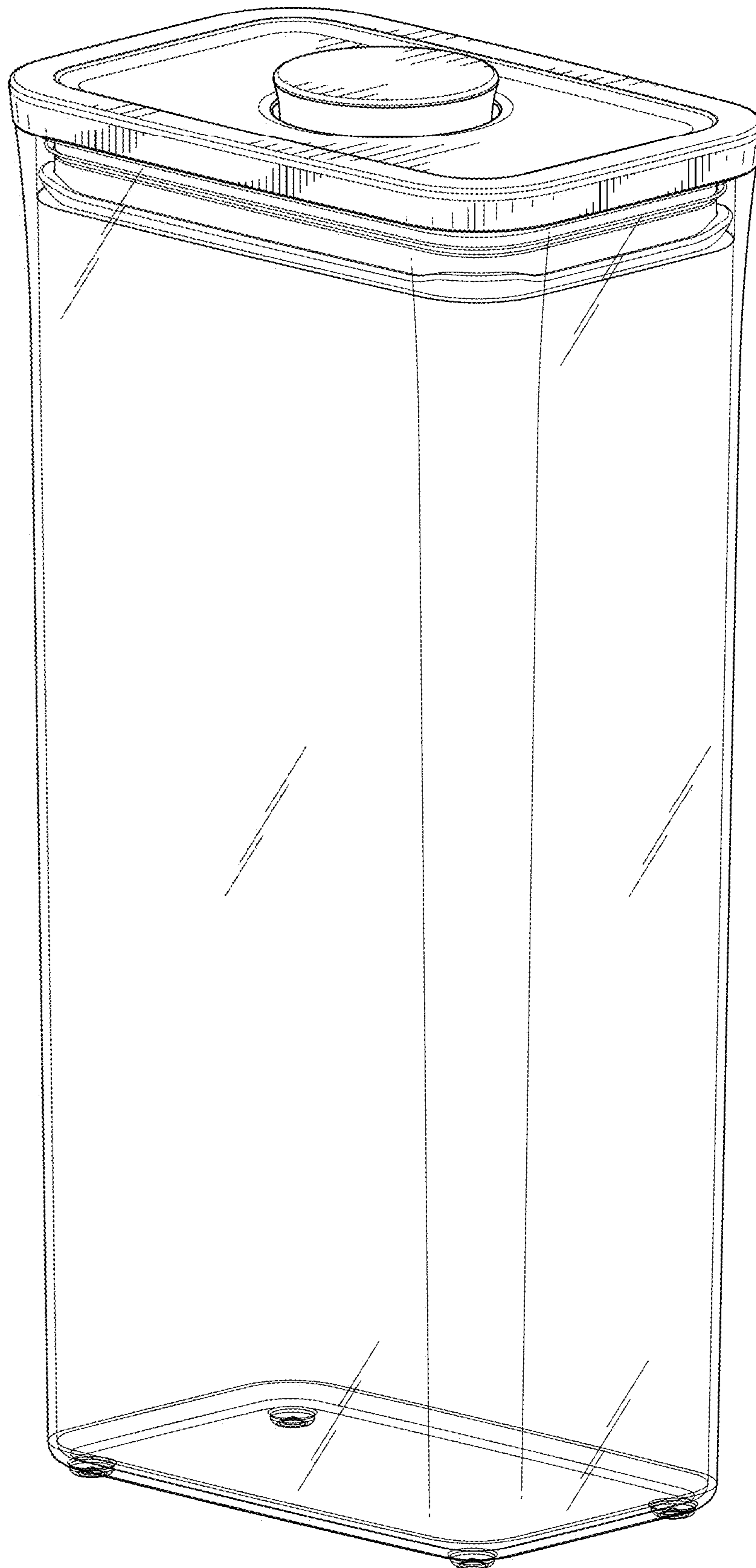


FIG.28

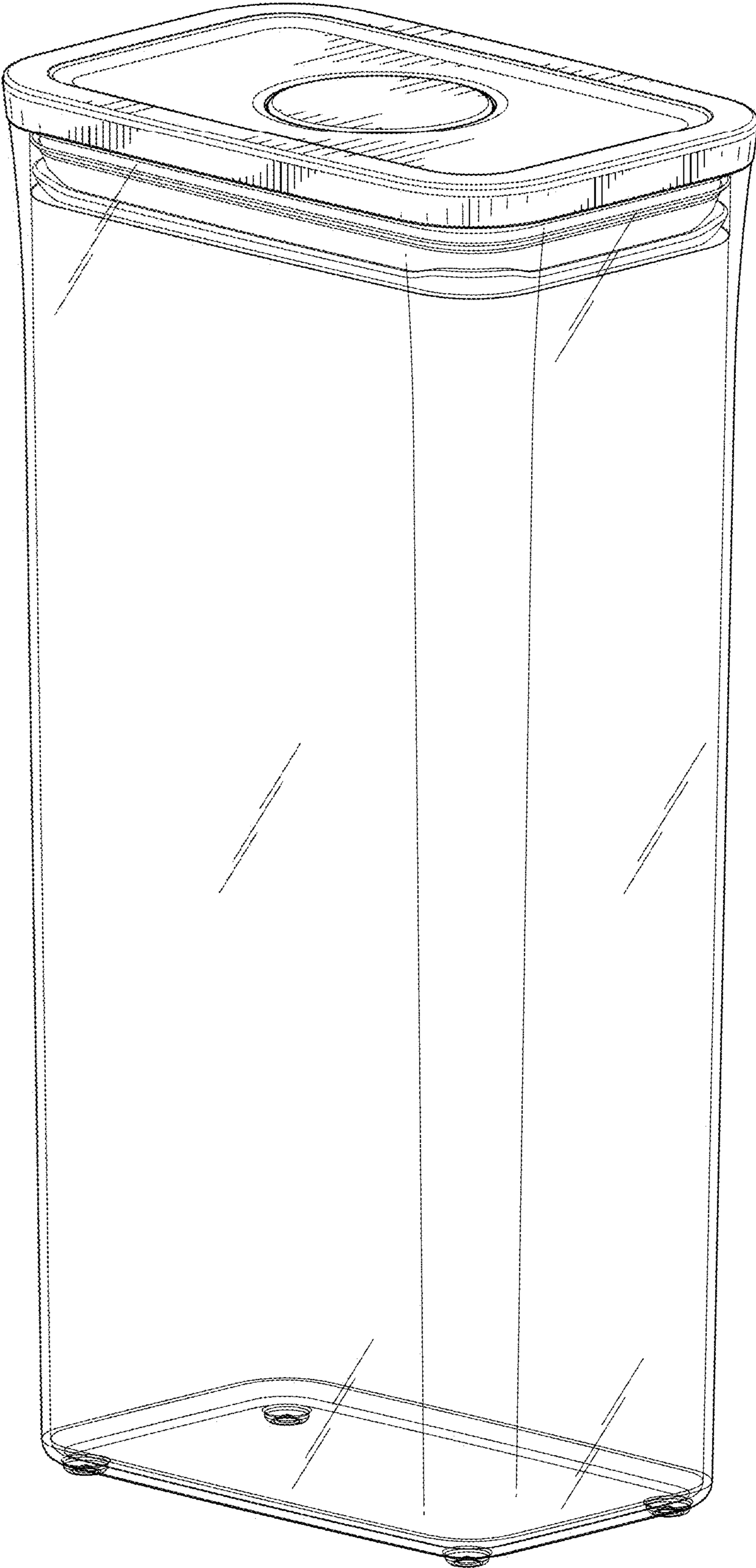


FIG.29

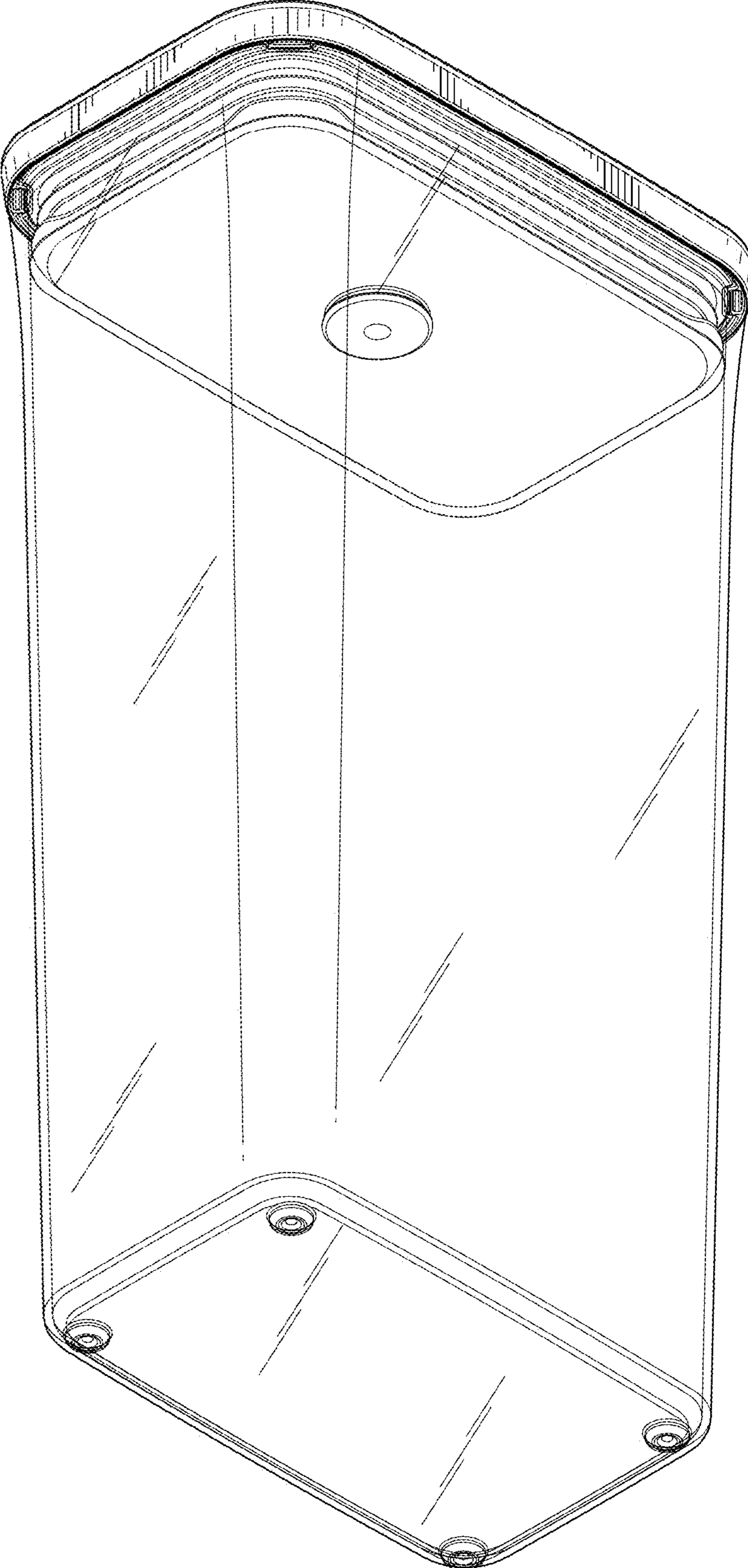


FIG.30

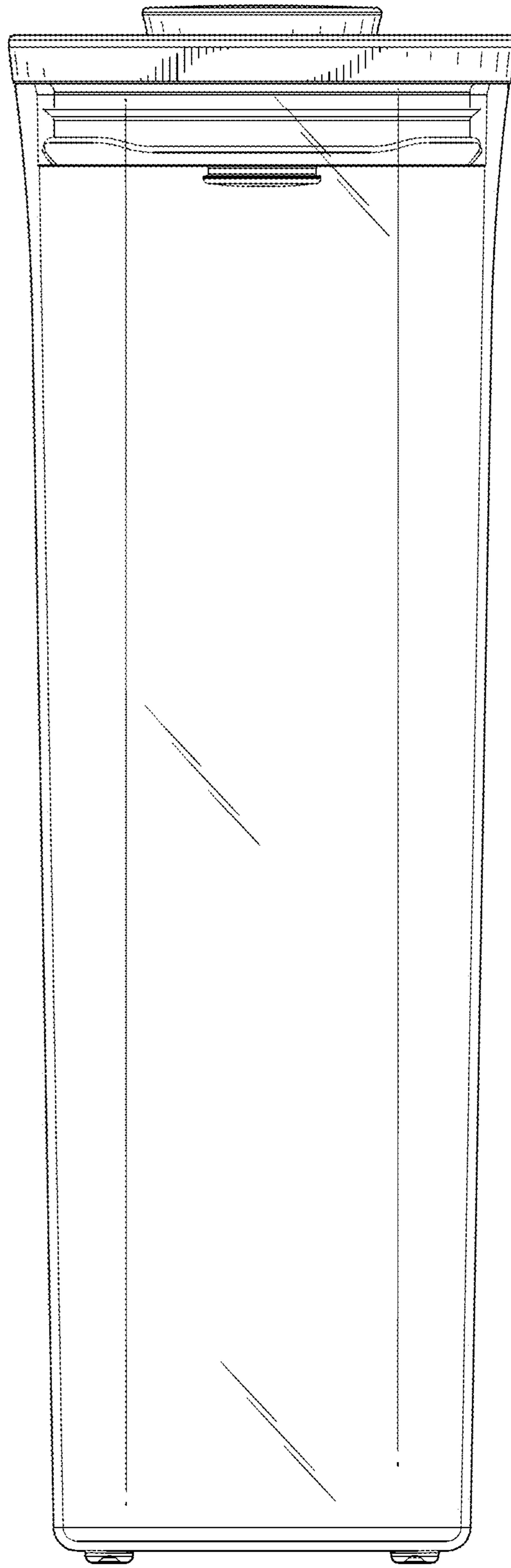


FIG. 31

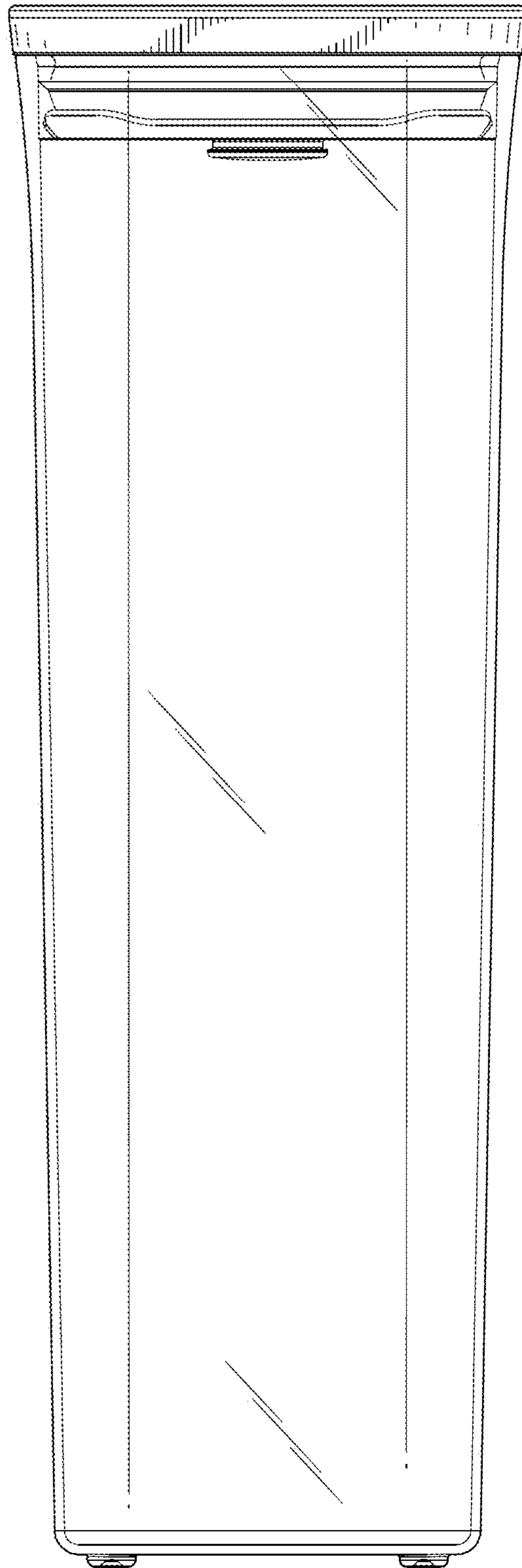


FIG.32

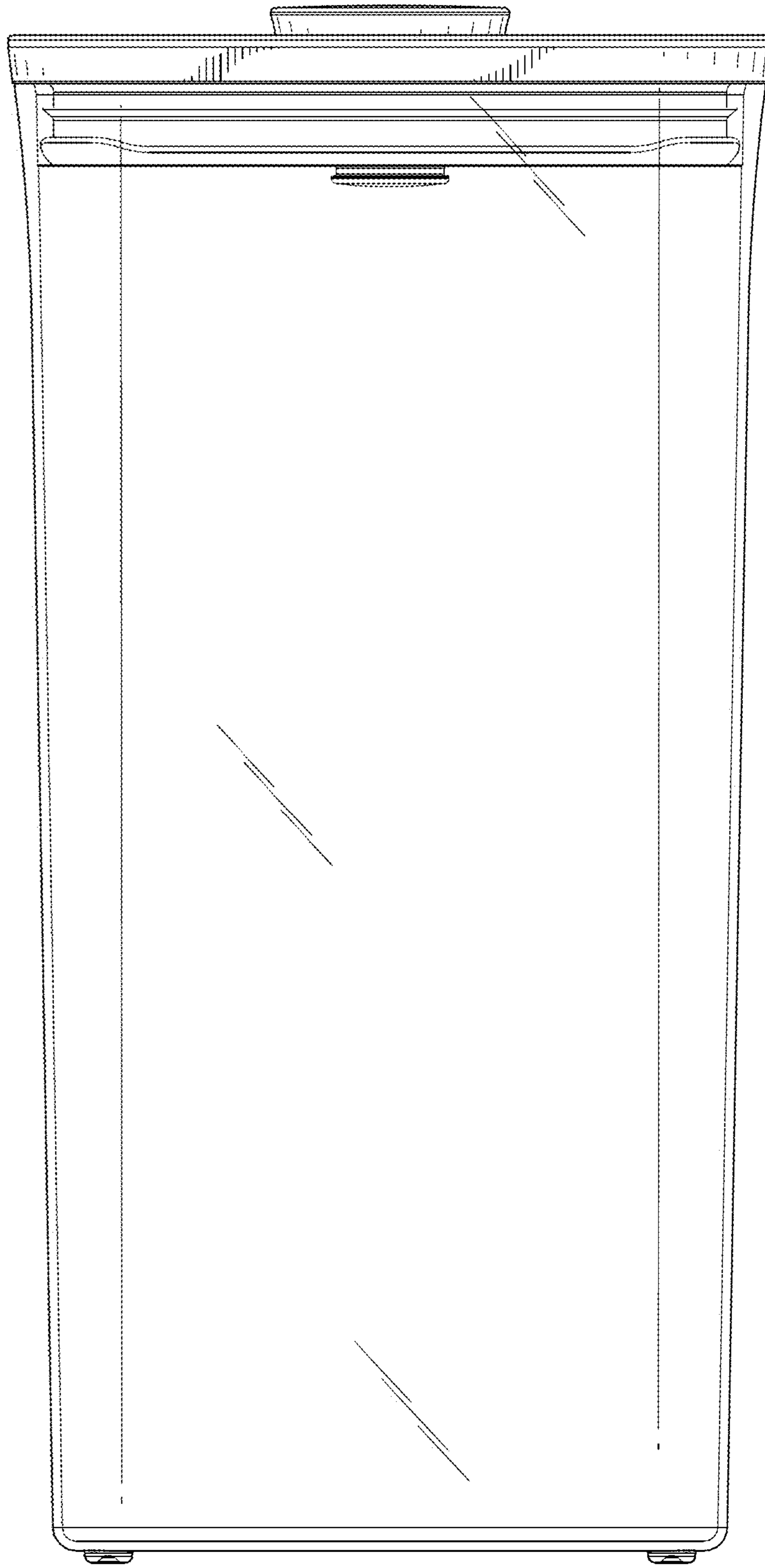


FIG.33

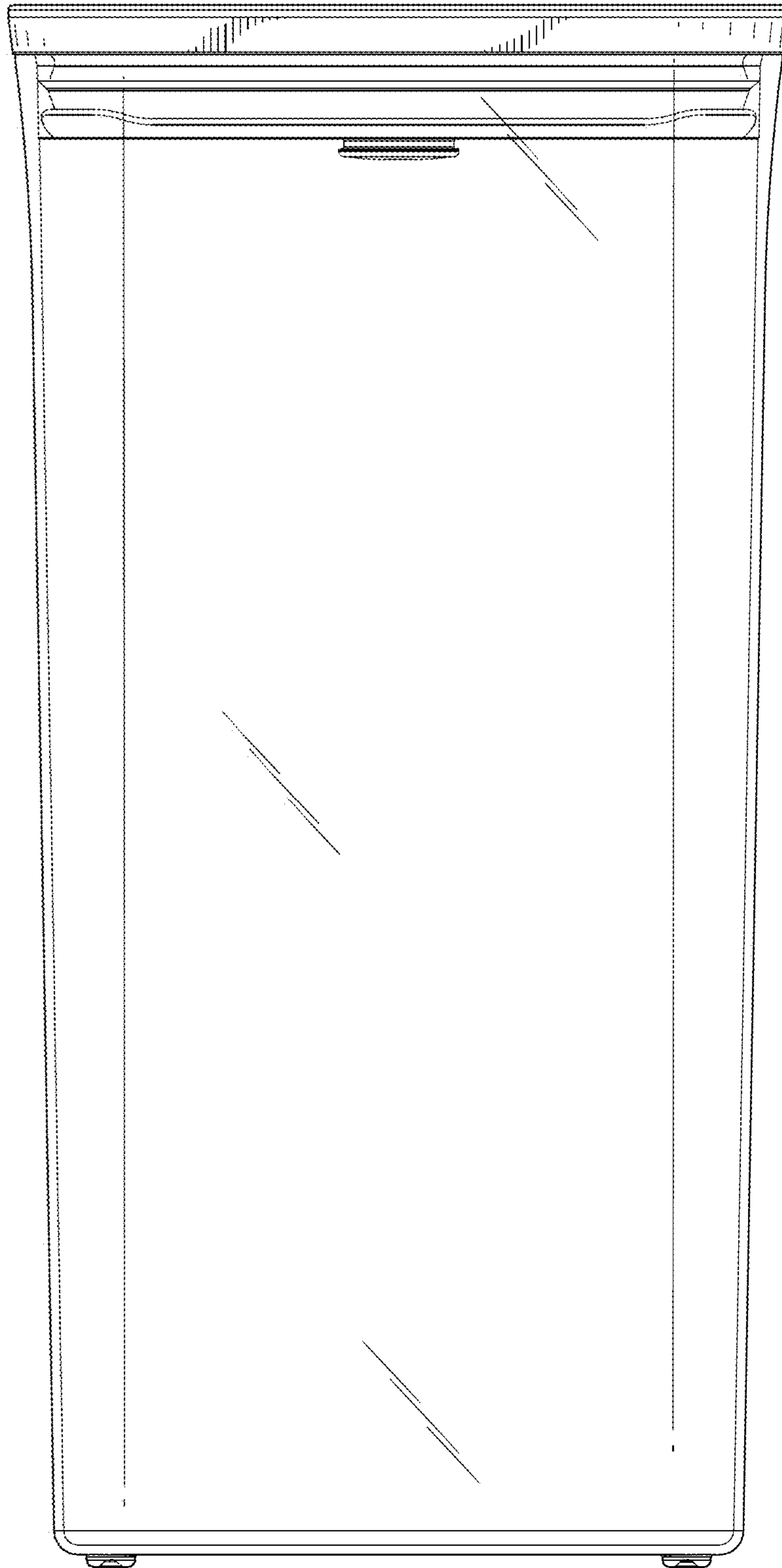


FIG. 34

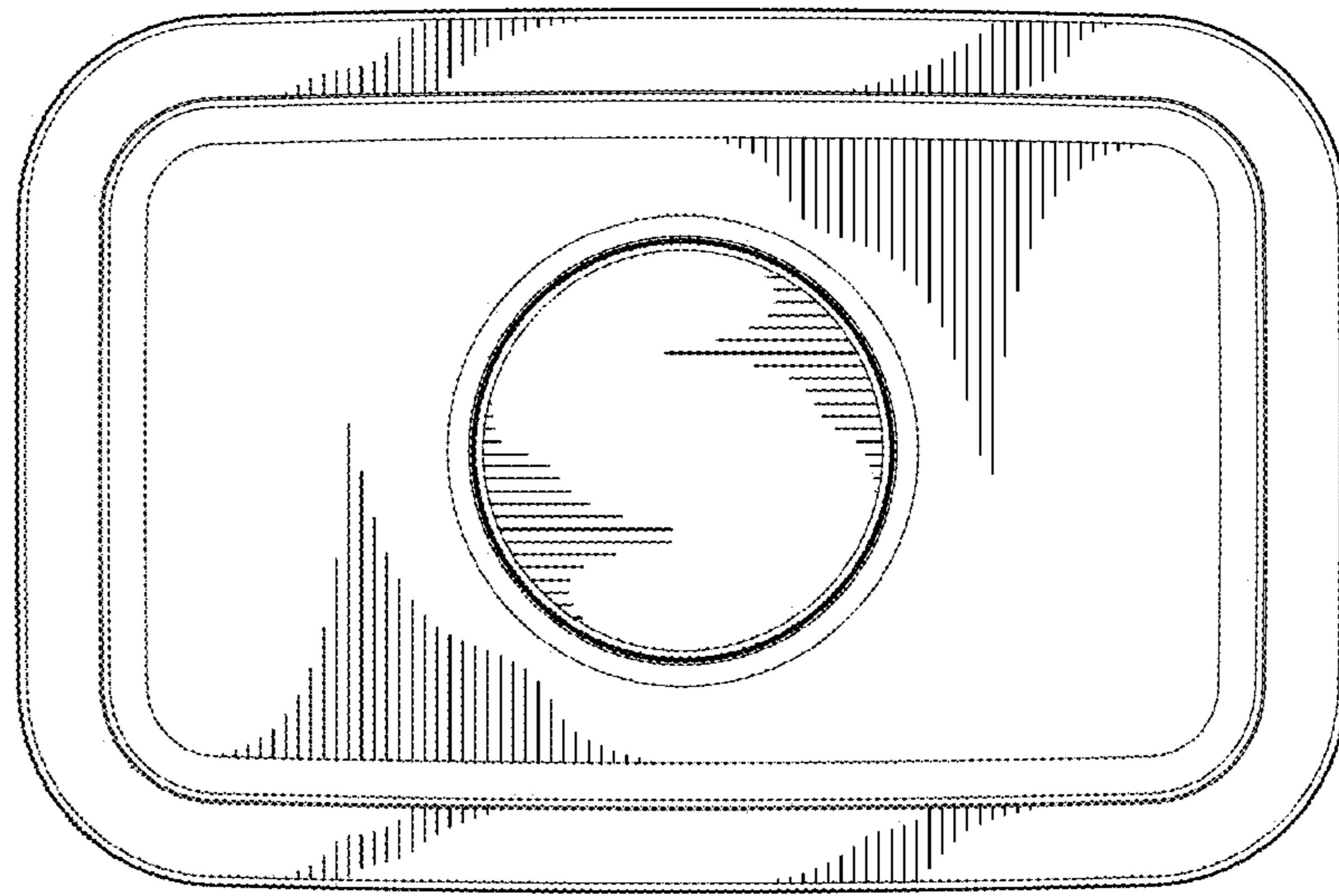


FIG. 35

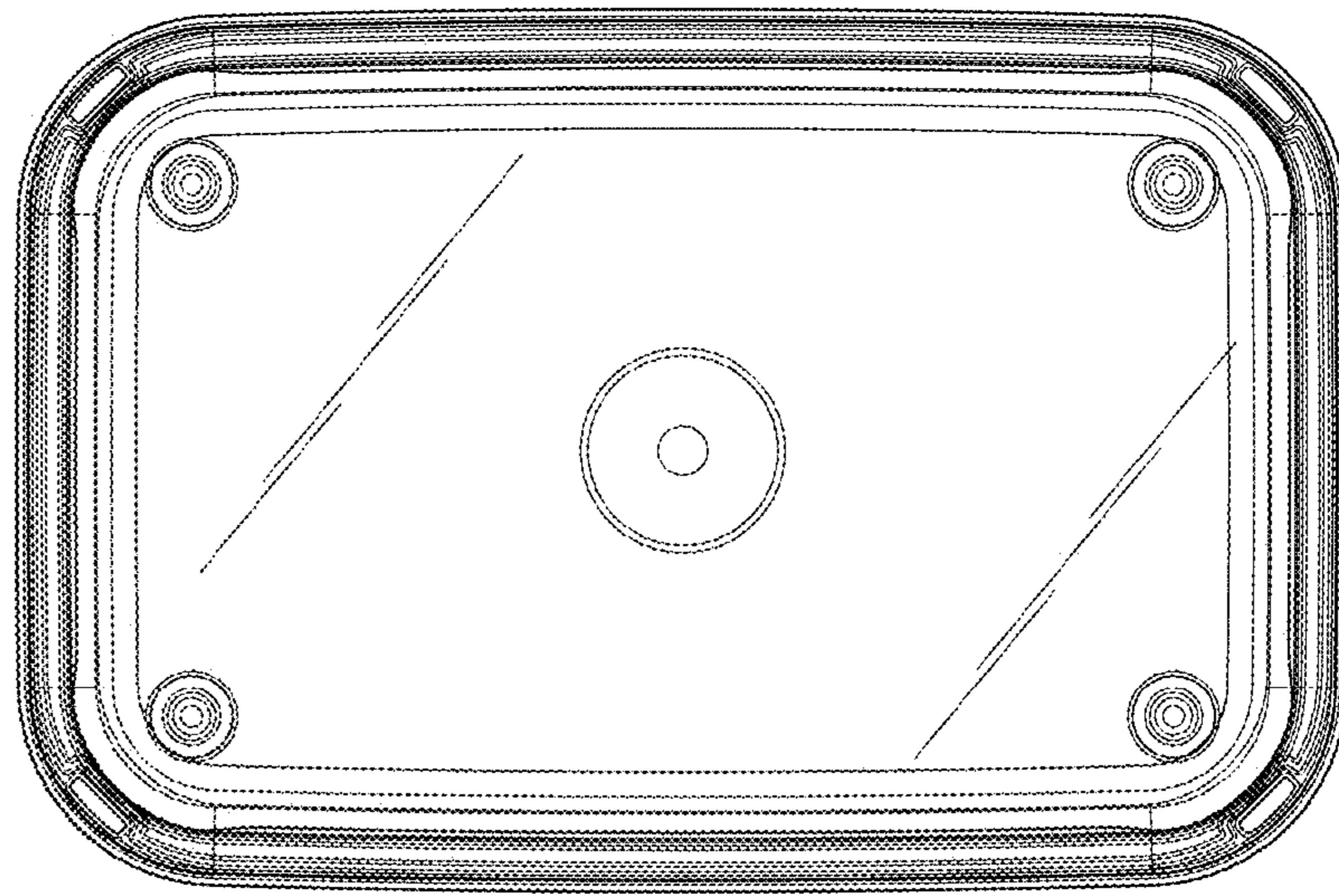


FIG.36

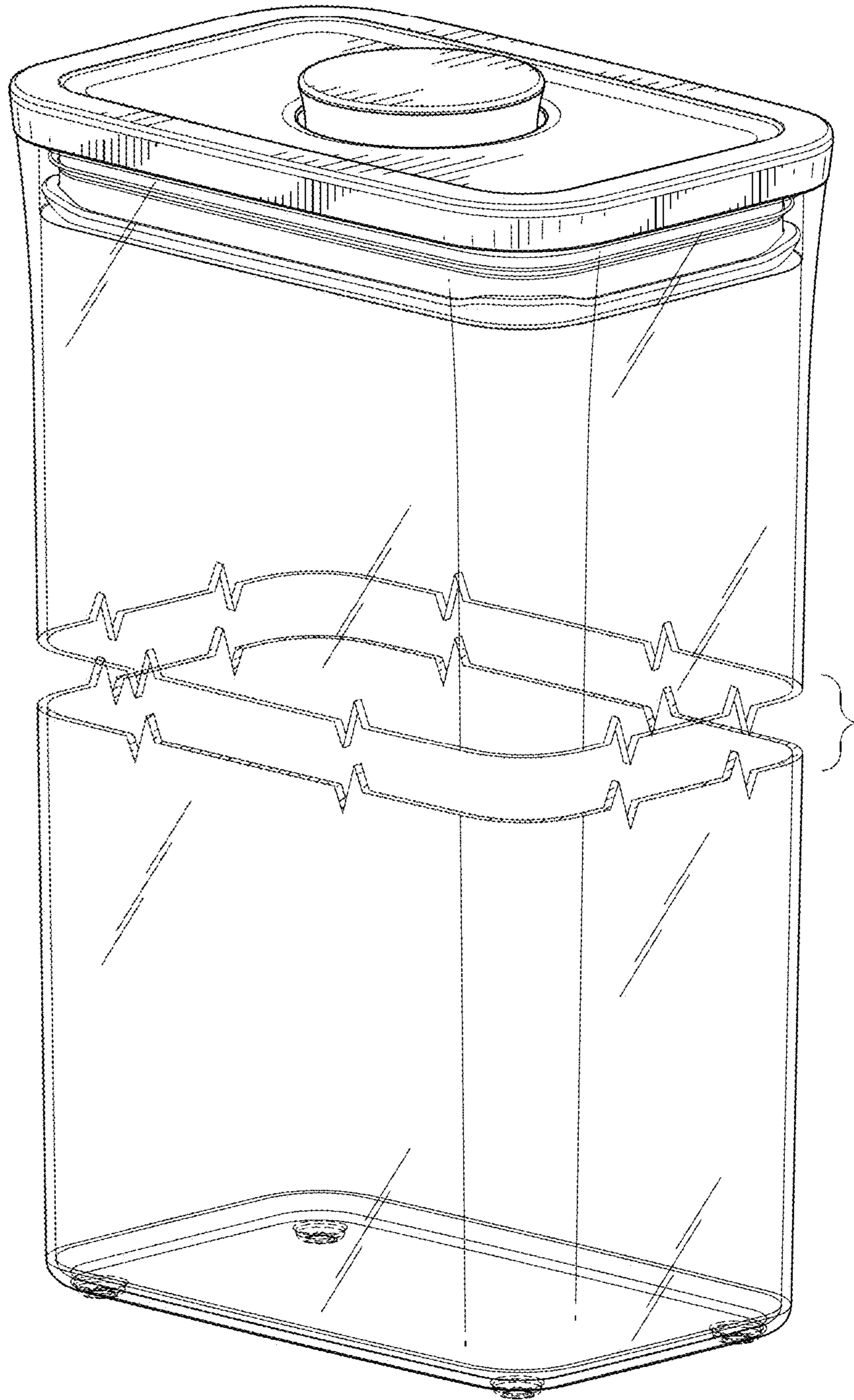


FIG.37

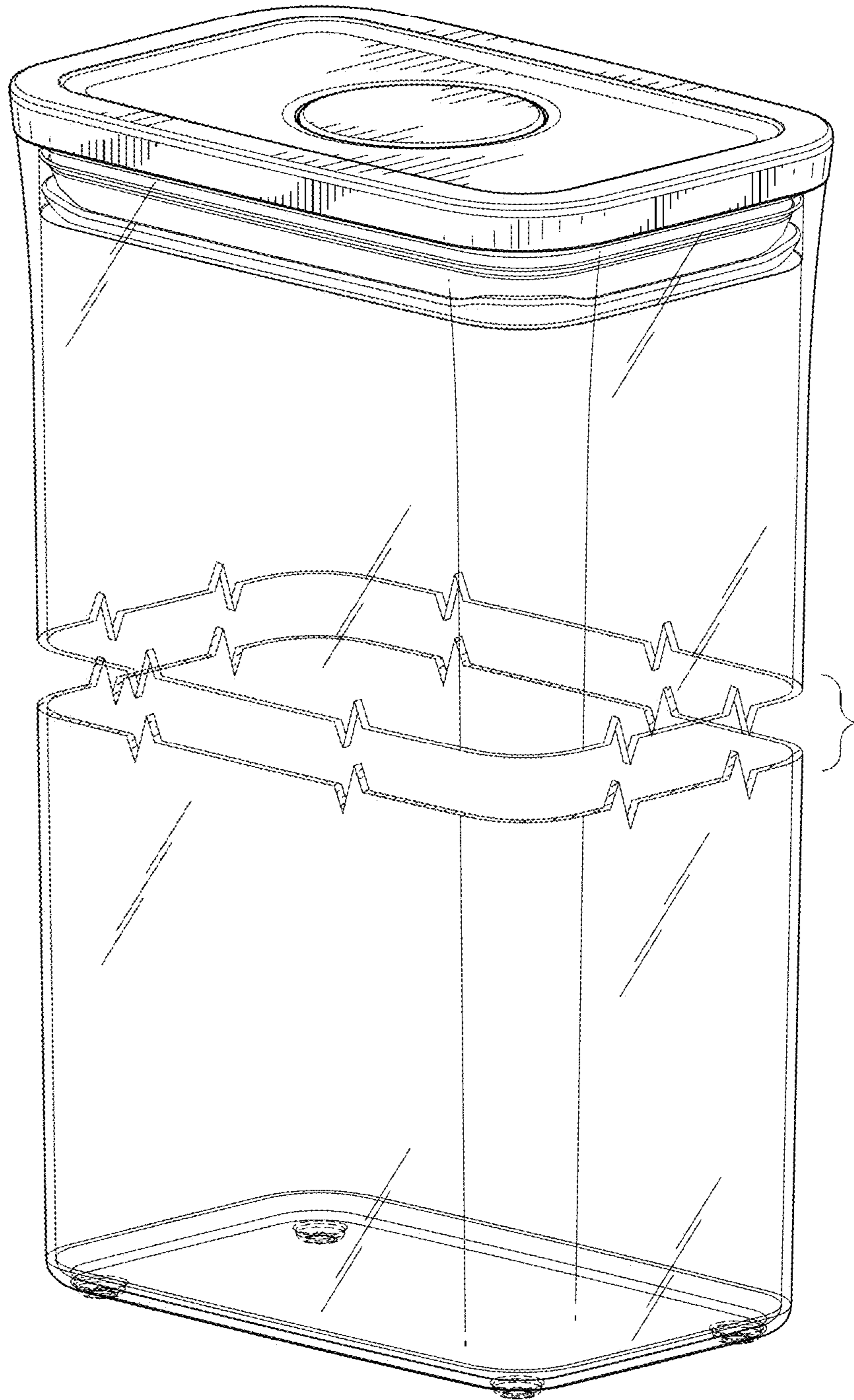


FIG.38

REPLACEMENT SHEET

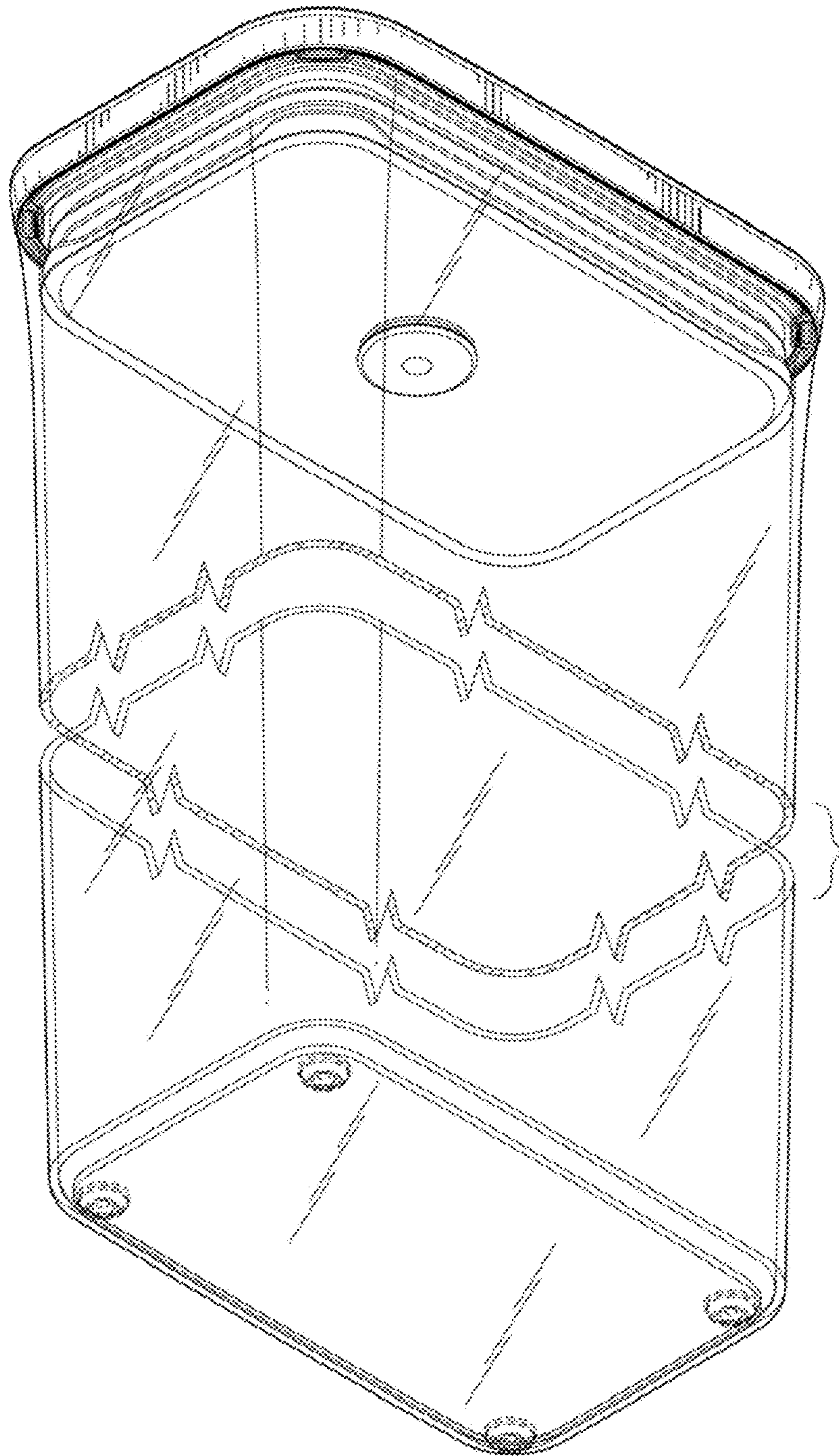


FIG. 39

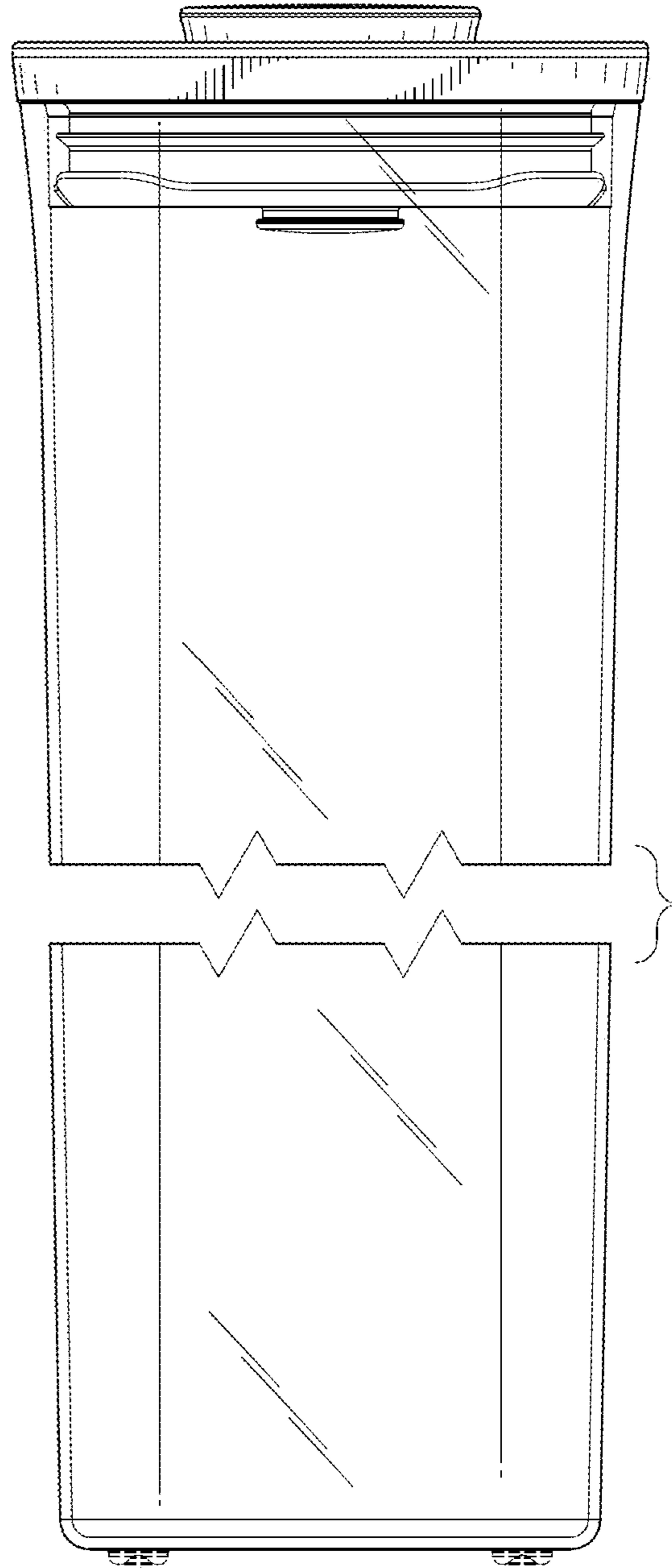


FIG. 40

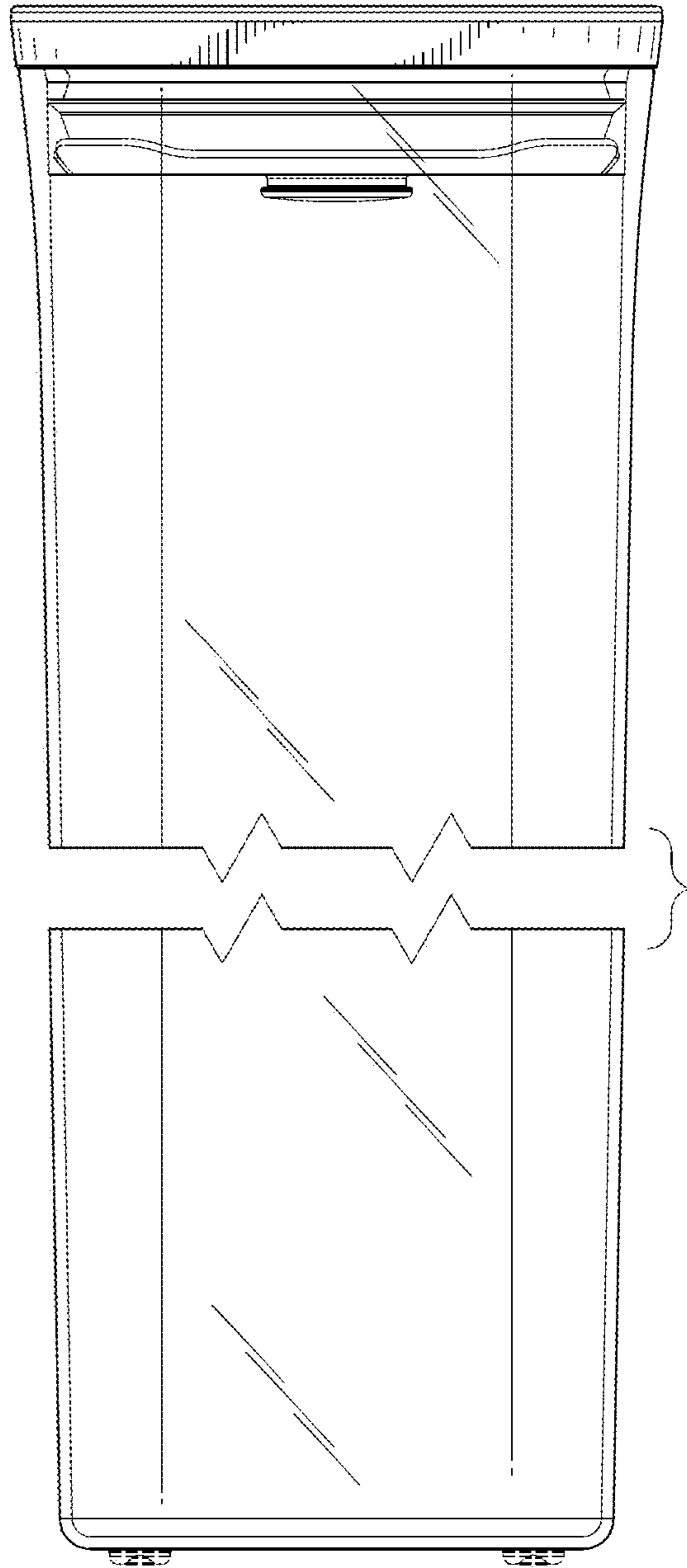


FIG.41

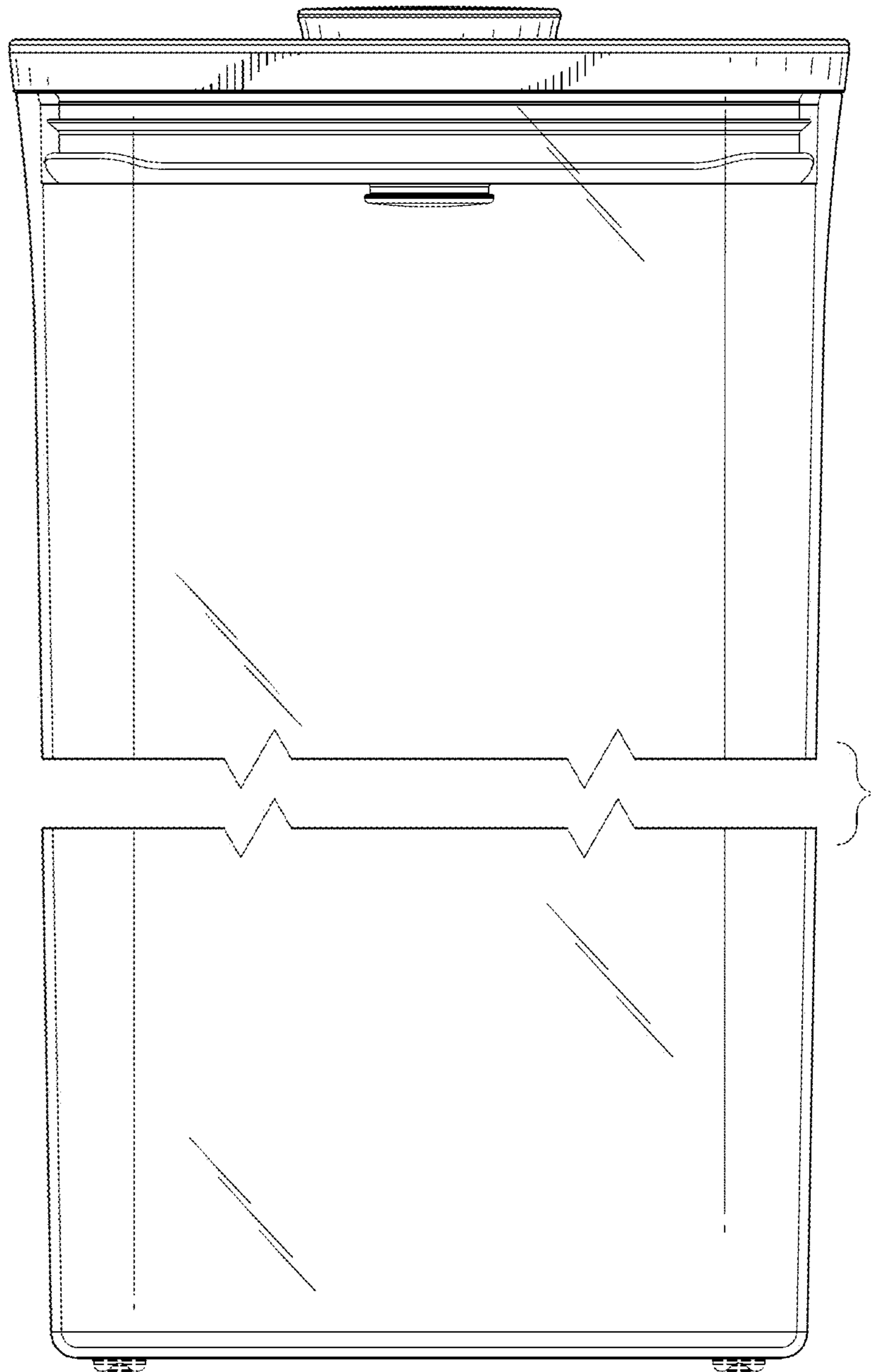


FIG.42

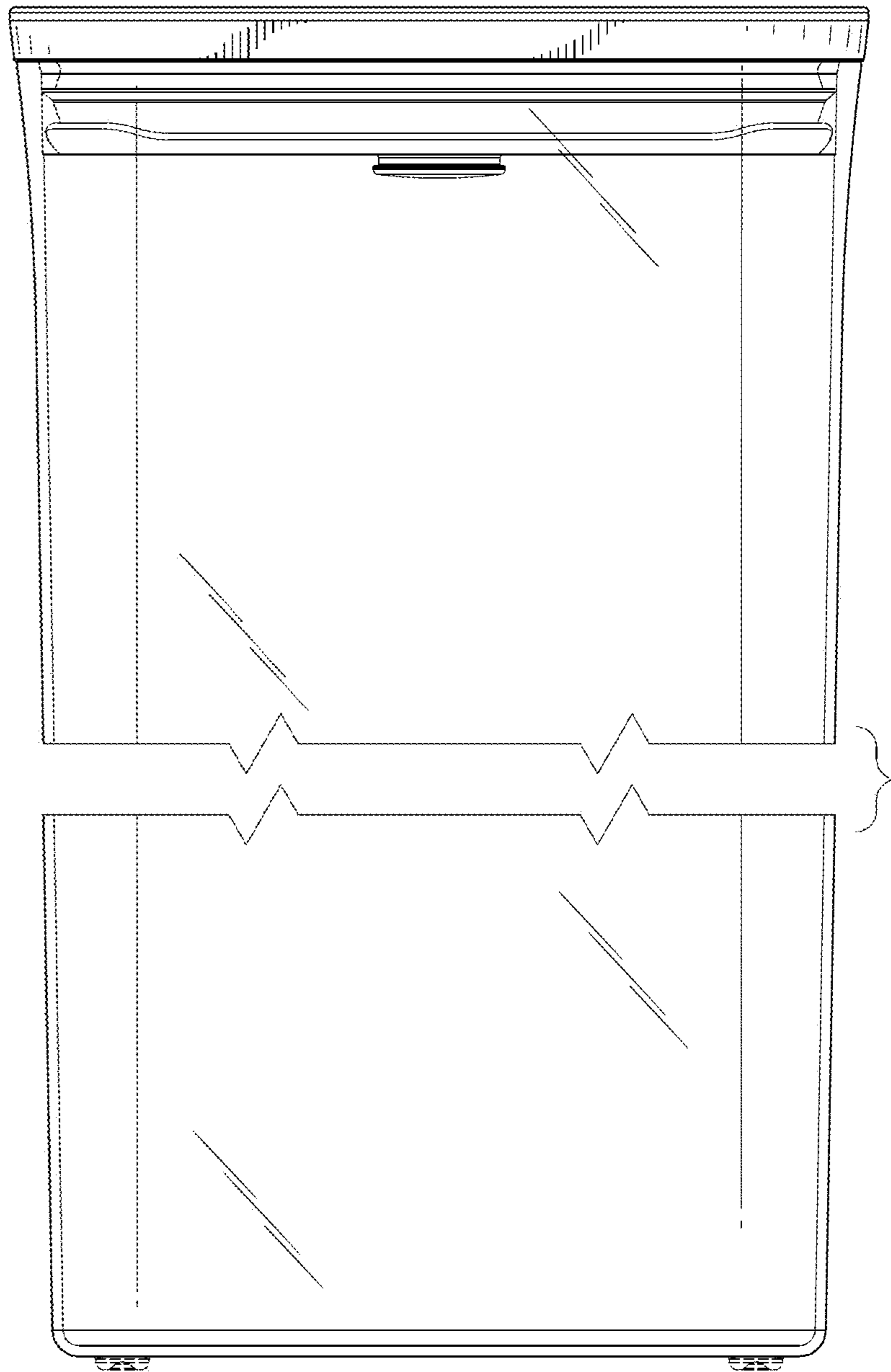


FIG.43

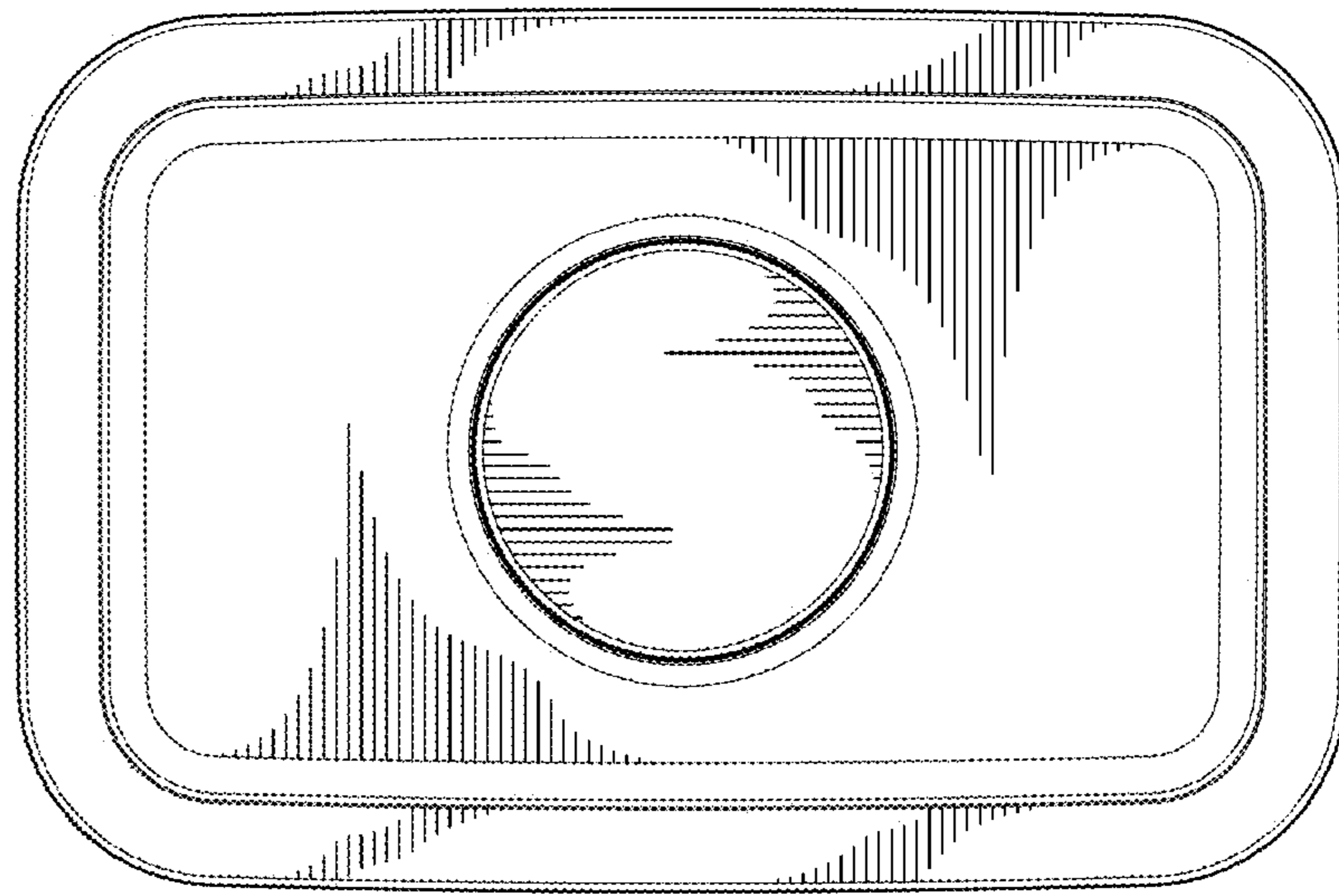


FIG. 44

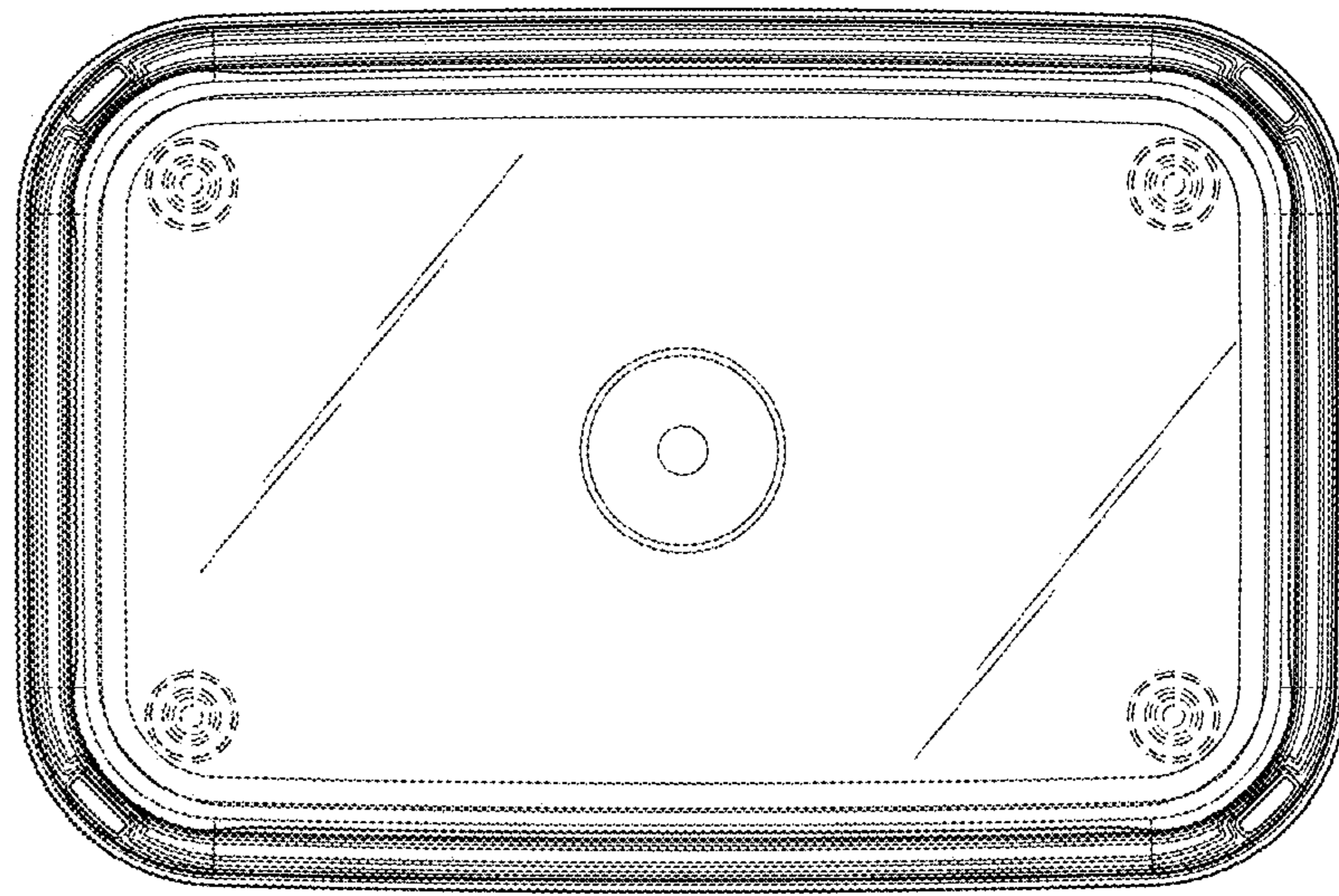


FIG. 45