



US00D876176S

(12) **United States Design Patent** (10) **Patent No.:** **US D876,176 S**
Pentelovitch et al. (45) **Date of Patent:** **** *Feb. 25, 2020**

(54) **CONTAINER**

<URL: https://www.amazon.com/dp/B000UHYB9E/ref=psdc_3744021_t1_B0051T93TE>, all pages.*

(71) Applicant: **Helen of Troy Limited**, Belleville, St. Michael (BB)

(Continued)

(72) Inventors: **Noah Ziman Pentelovitch**, New York, NY (US); **Conor Patrick McNamara**, Montclair, NJ (US); **Makiko Kida**, Chiba (JP); **Tamotsu Matsumoto**, Chiba (JP); **Nobuyuki Ogasawara**, Chiba (JP); **Yoshinori Nagata**, Chiba (JP)

Primary Examiner — Terry A Wallace

(74) *Attorney, Agent, or Firm* — Rankin, Hill & Clark LLP

(57) **CLAIM**

The ornamental design for a container, as shown and described.

(73) Assignee: **Helen of Troy Limited**, St. Michael (BB)

DESCRIPTION

(*) Notice: This patent is subject to a terminal disclaimer.

FIG. 1 is an upper perspective view of a container with a button in an extended position according to a first embodiment;

(**) Term: **15 Years**

FIG. 2 is another upper perspective view thereof with the button in a depressed position;

(21) Appl. No.: **29/631,348**

FIG. 3 is a lower perspective view thereof;

(22) Filed: **Dec. 29, 2017**

FIG. 4 is a side elevation view thereof with the button in the extended position, and each side being identical;

(51) **LOC (12) Cl.** **07-07**

FIG. 5 is a side elevation view thereof with the button in the depressed position, and each side being identical;

(52) **U.S. Cl.**
USPC **D7/629**

FIG. 6 is a top plan view thereof;

(58) **Field of Classification Search**

USPC D7/629, 602, 538–542, 601, 612–615; D9/424, 428–432, 761, 414, 642, 721, 73

FIG. 7 is a bottom plan view thereof;

(Continued)

FIG. 8 is an upper perspective view of a container with the button in an extended position according to a second embodiment;

(56) **References Cited**

U.S. PATENT DOCUMENTS

D150,045 S * 6/1948 Zaikaner D7/629
D159,811 S * 8/1950 Hill D7/629

(Continued)

FIG. 9 is another upper perspective view thereof with the button in a depressed position;

FIG. 10 is a lower perspective view thereof;

FIG. 11 is a side elevation view thereof with the button in the extended position, and each side being identical;

FIG. 12 is a side elevation view thereof with the button in the depressed position, and each side being identical;

FIG. 13 is a top plan view thereof;

FIG. 14 is a bottom plan view thereof;

FIG. 15 is an upper perspective view of a container with a button in an extended position according to a third embodiment;

(Continued)

OTHER PUBLICATIONS

Amazon.com: OXO® Good Grips POP Container, [online], date first listed Oct. 2, 2001, retrieved on Apr. 8, 2019. Retrieved from,

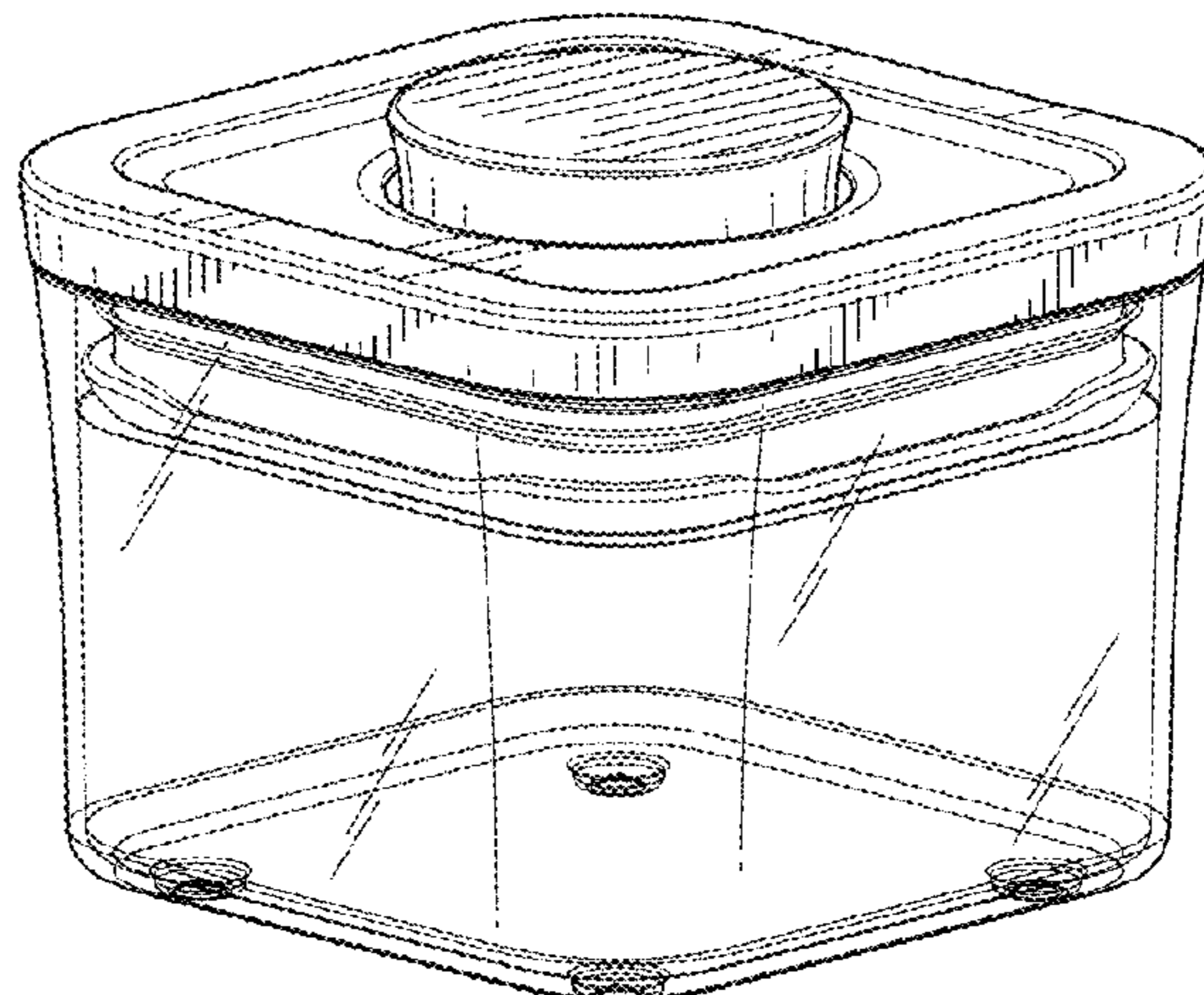


FIG. 16 is another upper perspective view thereof with the button in a depressed position;
 FIG. 17 is a lower perspective view thereof;
 FIG. 18 is a side elevation view thereof with the button in the extended position, and each side being identical;
 FIG. 19 is a side elevation view thereof with the button in the depressed position, and each side being identical;
 FIG. 20 is a top plan view thereof;
 FIG. 21 is a bottom plan view thereof;
 FIG. 22 is an upper perspective view of a container with a button in an extended position according to a fourth embodiment;
 FIG. 23 is another upper perspective view thereof with the button in a depressed position;
 FIG. 24 is a lower perspective view thereof;
 FIG. 25 is a side elevation view thereof with the button in the extended position, and each side being identical;
 FIG. 26 is a side elevation view thereof with the button in the depressed position, and each side being identical;
 FIG. 27 is a top plan view thereof;
 FIG. 28 is a bottom plan view thereof;
 FIG. 29 is an upper perspective view of a container with a button in an extended position according to a fifth embodiment;
 FIG. 30 is another upper perspective view thereof with the button in a depressed position;
 FIG. 31 is a lower perspective view thereof;
 FIG. 32 is a side elevation view thereof with the button in the extended position, and each side being identical;
 FIG. 33 is a side elevation view thereof with the button in the depressed position, and each side being identical;
 FIG. 34 is a top plan view thereof; and,
 FIG. 35 is a bottom plan view thereof.
 The container is shown broken along the height direction in FIGS. 29-33 to indicate indeterminate height, with the understanding the “indeterminate” height portion of the container not shown forms no part of the claimed design. Patentability is based only on those portions of the article that are shown in solid lines.

1 Claim, 35 Drawing Sheets

(58) **Field of Classification Search**

CPC B65D 2543/00296; B65D 43/02; B65D 2543/00101; B65D 2543/00194; B65D 43/16; B65D 45/00; B65D 1/22; B65D 2203/00; B65D 2543/00592; A45C 11/20
 See application file for complete search history.

(56) **References Cited**

U.S. PATENT DOCUMENTS

D162,579 S * 3/1951 Roop D7/615
 2,575,770 A * 11/1951 Roop A47J 47/02
 206/499
 D176,766 S * 1/1956 Hill D7/615
 2,768,667 A * 10/1956 Hill B65D 1/26
 206/518
 D201,455 S * 6/1965 Lindstrom D7/540
 D274,396 S * 6/1984 Kikuchi D7/605
 4,572,374 A * 2/1986 Sirotkin B65D 21/064
 206/505
 4,585,138 A * 4/1986 Jonkers B65D 43/0212
 220/614
 D326,391 S * 5/1992 Verchere D34/7

D362,180 S * 9/1995 Haines D9/529
 D396,172 S * 7/1998 Nask D7/615
 D403,582 S * 1/1999 Nask D9/435
 5,896,993 A * 4/1999 Nask B65D 21/0219
 206/508
 D447,669 S * 9/2001 Tzeng Wu D7/615
 D518,958 S * 4/2006 Yourist D3/302
 D521,811 S * 5/2006 Yourist D7/615
 D524,119 S * 7/2006 Kim D7/615
 D527,845 S * 9/2006 Ng D28/73
 D531,043 S * 10/2006 Houtart D9/560
 D540,669 S * 4/2007 George D7/392.1
 D572,086 S * 7/2008 Matsumoto
 D592,966 S * 5/2009 Nissen D9/560
 D610,412 S * 2/2010 Matsumoto D7/629
 D619,424 S * 7/2010 Yang D7/615
 D659,530 S * 5/2012 Akana D9/424
 D669,777 S * 10/2012 Brown D9/424
 D674,248 S * 1/2013 Lindsay D7/629
 D696,558 S * 12/2013 Song D7/629
 D696,559 S * 12/2013 Song D7/629
 D702,547 S * 4/2014 Akana D14/496
 8,807,370 B2 * 8/2014 Lee B65D 45/327
 220/235
 D759,434 S * 6/2016 Duvigneau D7/615
 9,359,114 B2 * 6/2016 Wong B65D 43/26
 D765,508 S * 9/2016 Wu D9/439
 D773,931 S * 12/2016 Liu D9/449
 D790,335 S * 6/2017 Honings D9/424
 9,731,874 B2 * 8/2017 Luo A47J 47/02
 D817,116 S * 5/2018 Evans D7/629
 D817,701 S * 5/2018 Ho D7/391
 D821,869 S * 7/2018 Cheng D9/424
 D828,754 S * 9/2018 Liu D9/439
 D834,377 S * 11/2018 Zoske D7/629
 D839,664 S * 2/2019 Pentelovitch D7/391
 2007/0241107 A1 * 10/2007 Matsumoto B65D 39/12
 220/238
 2013/0256256 A1 * 10/2013 Krippendorf B65D 55/12
 215/200
 2013/0306497 A1 * 11/2013 Llewellyn B44D 3/12
 206/1.7
 2016/0167863 A1 * 6/2016 Han B65D 53/02
 220/256.1
 2016/0257458 A1 * 9/2016 Pentelovitch B65D 45/32
 2016/0368671 A1 * 12/2016 Pentelovitch B65D 45/327
 2017/0247151 A1 * 8/2017 Chiou B65D 43/26
 2018/0016065 A1 * 1/2018 Ho B65D 45/32

OTHER PUBLICATIONS

Bed Bath & Beyond—OXO® Good Grips, [online], reviewed on Apr. 8, 2015, retrieved on Apr. 8, 2019. Retrieved from, <URL: <https://www.bedbathandbeyond.com/store/product/oxo-good-grips-reg-5-piece-food-storage-pop-container-set/3262793?skuId=16108472&&mrkgcl=609&mrkgadid=3306238966&enginename=google&mcid . . .>>, all pages.*
 OXO® POP Canisters—YouTube, [online], posted on Apr. 28, 2015, retrieved on Apr. 8, 2019. Retrieved from, <URL: <https://www.youtube.com/watch?v=DTujNDIRMZM>>, all pages.*
 Amazon.com: OXO® Steel POP Container, [online], first listed May 20, 2011, retrieved on Apr. 8, 2019. Retrieved from, <URL: https://www.amazon.com/OXO-Steel-POP-Container-Airtight/dp/B0051T93TE/ref=cm_cr_arp_d_product_top?ie=UTF8>, all pages.*
<https://www.oxo.com/products/storage-organization/food/pop-container-sm-square-0-3-qt-0-3-I> (website published prior to Dec. 29, 2016).
<https://www.target.com/s/oxo+softworks+pop+containers> (website published prior to Dec. 29, 2016).
 Airtight POP Container Square 0.9 Qt for Brown Sugar | OXO (<https://www.oxo.com/categories/cooking-and-baking/food-containers/pop-containers/pop-container-sm-square-0-9-qt-0-9-1.html>) publicly available prior to Dec. 29, 2017.

* cited by examiner

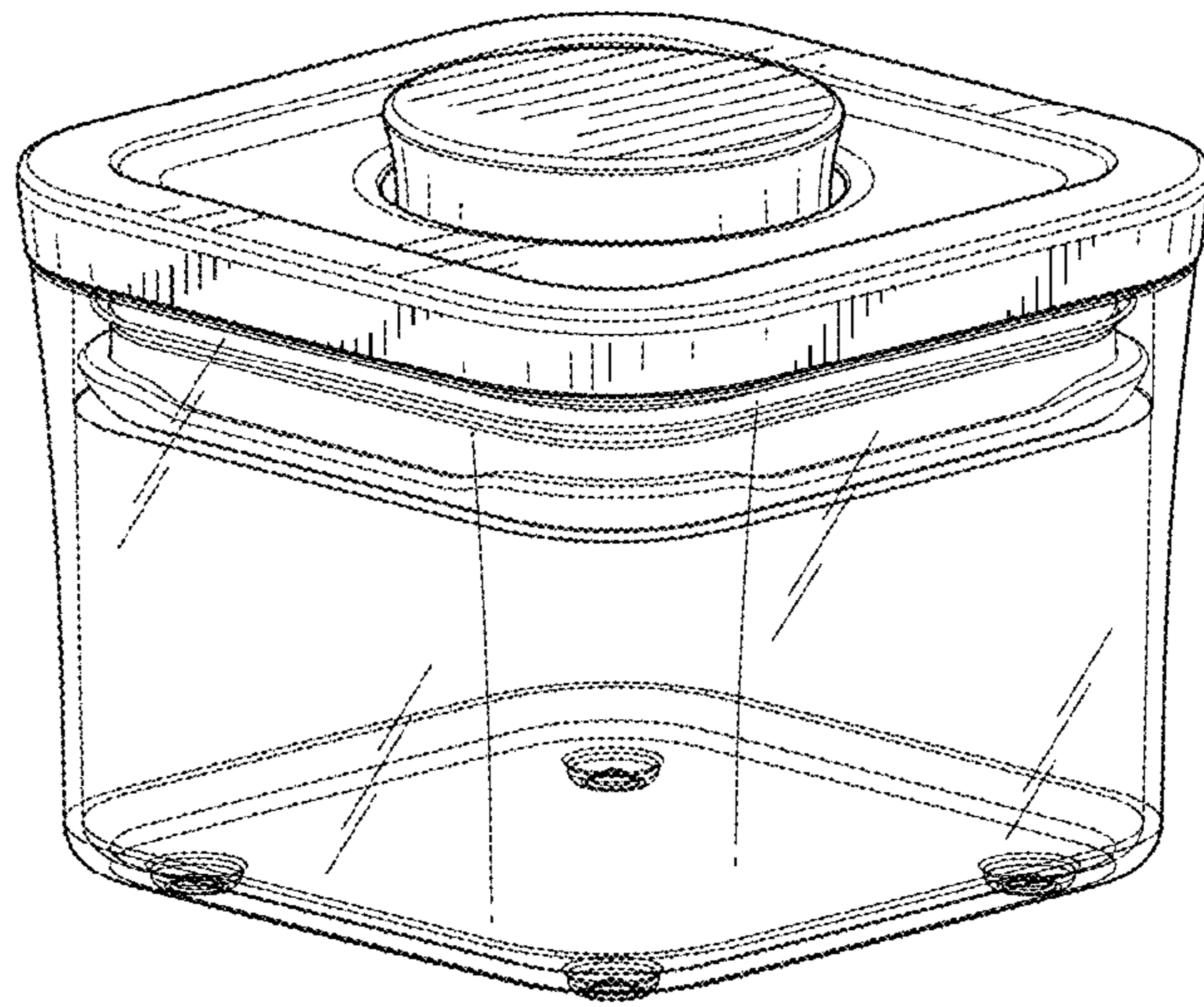


FIG. 1

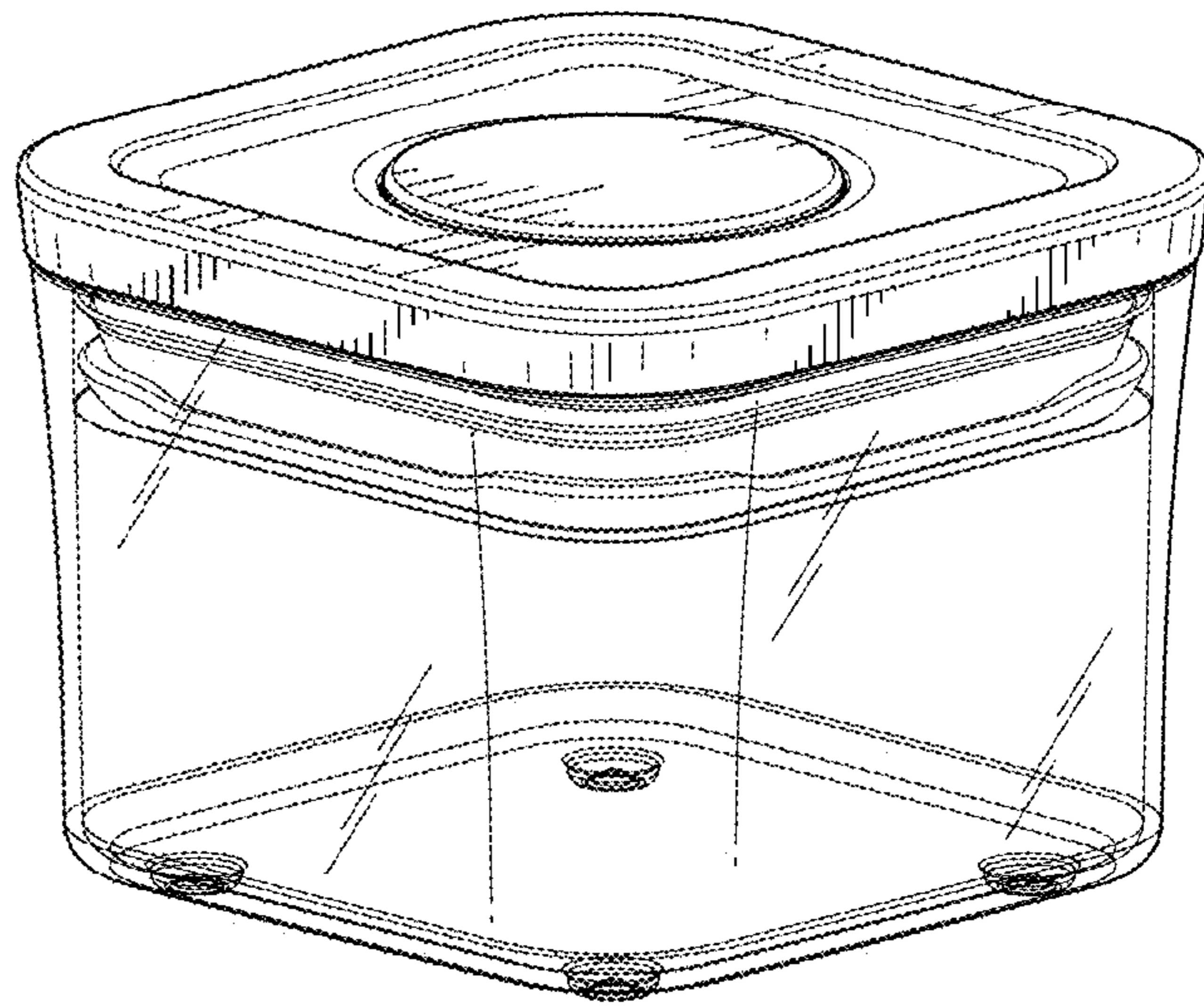


FIG.2

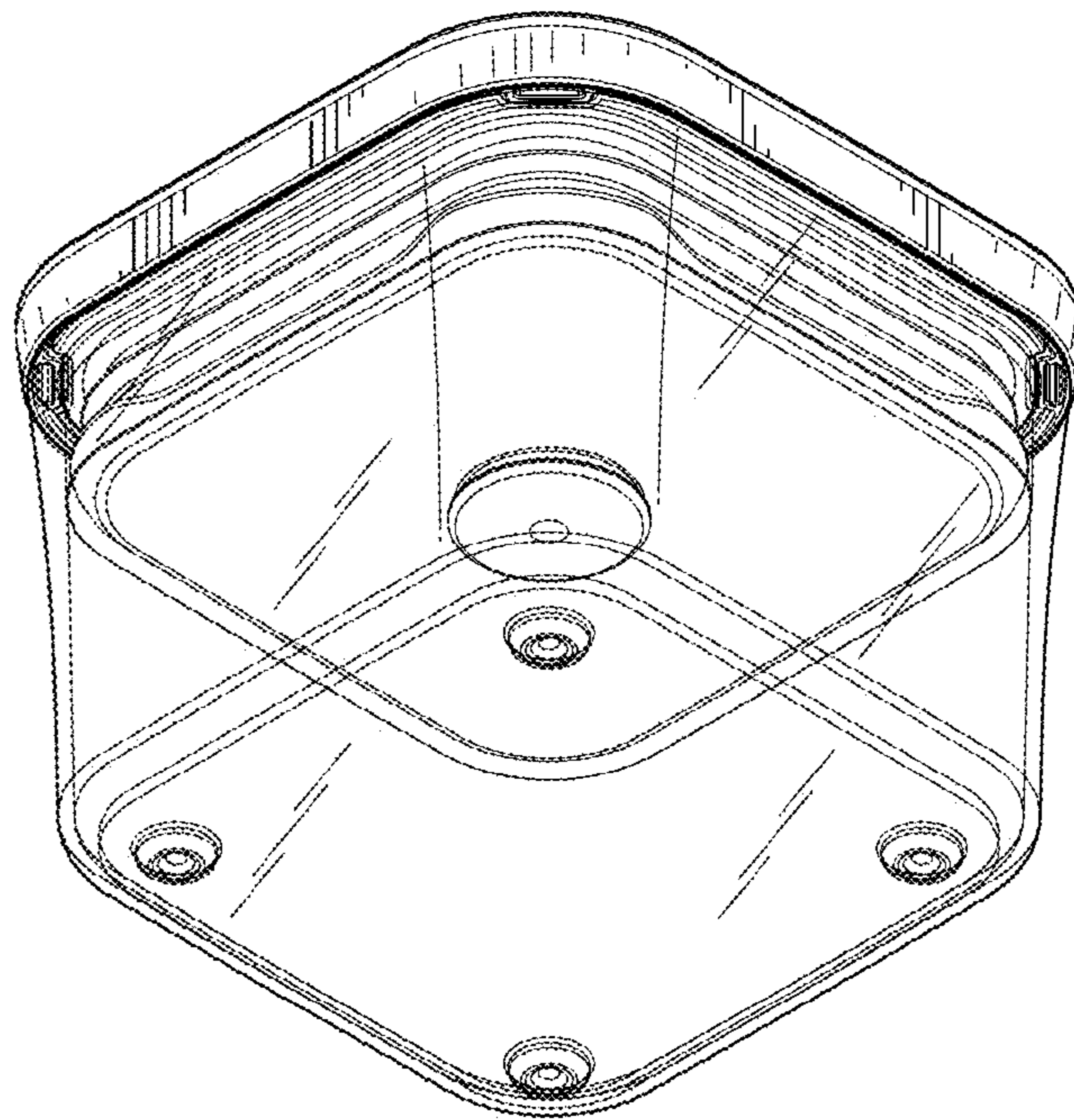


FIG.3

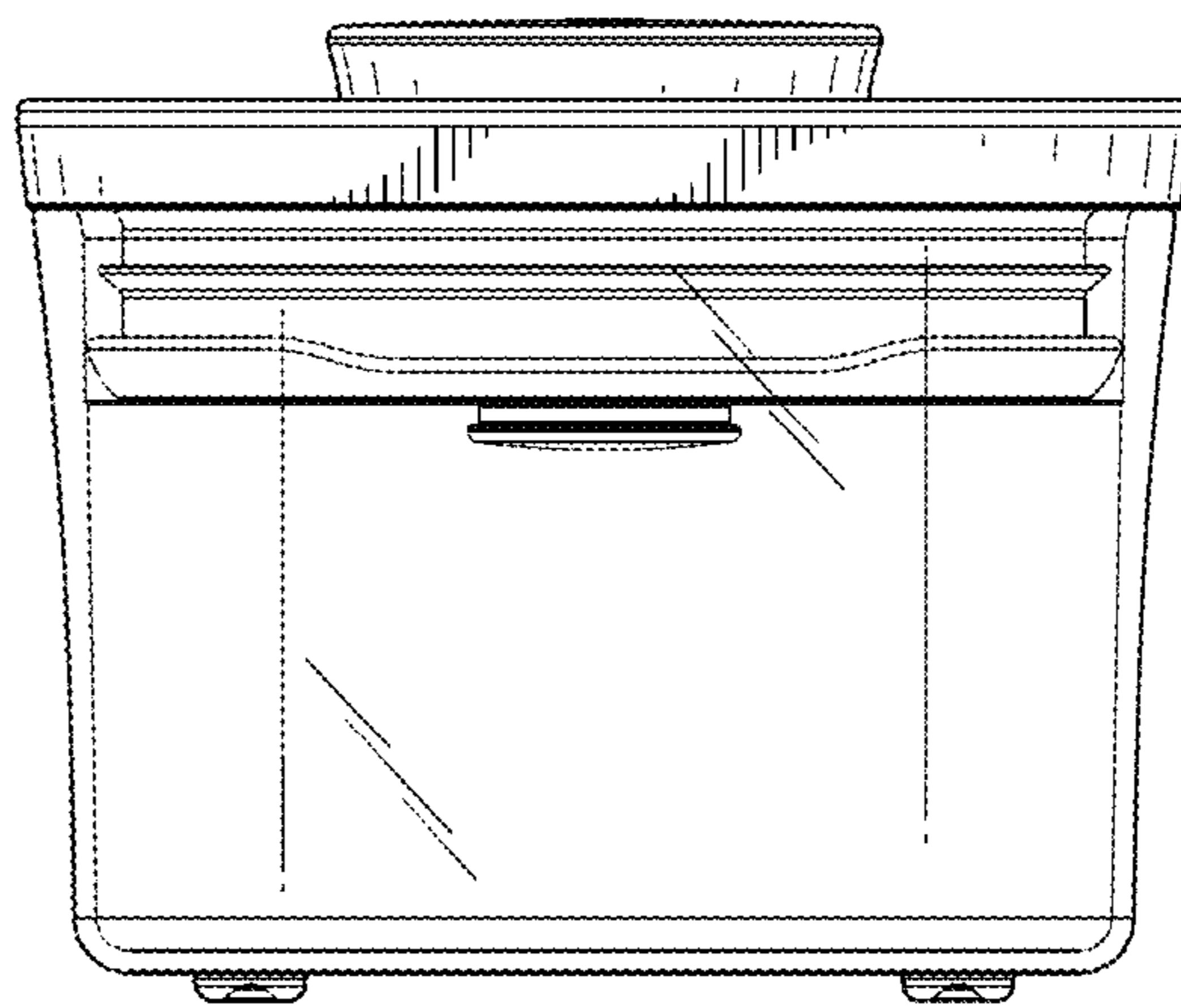


FIG. 4

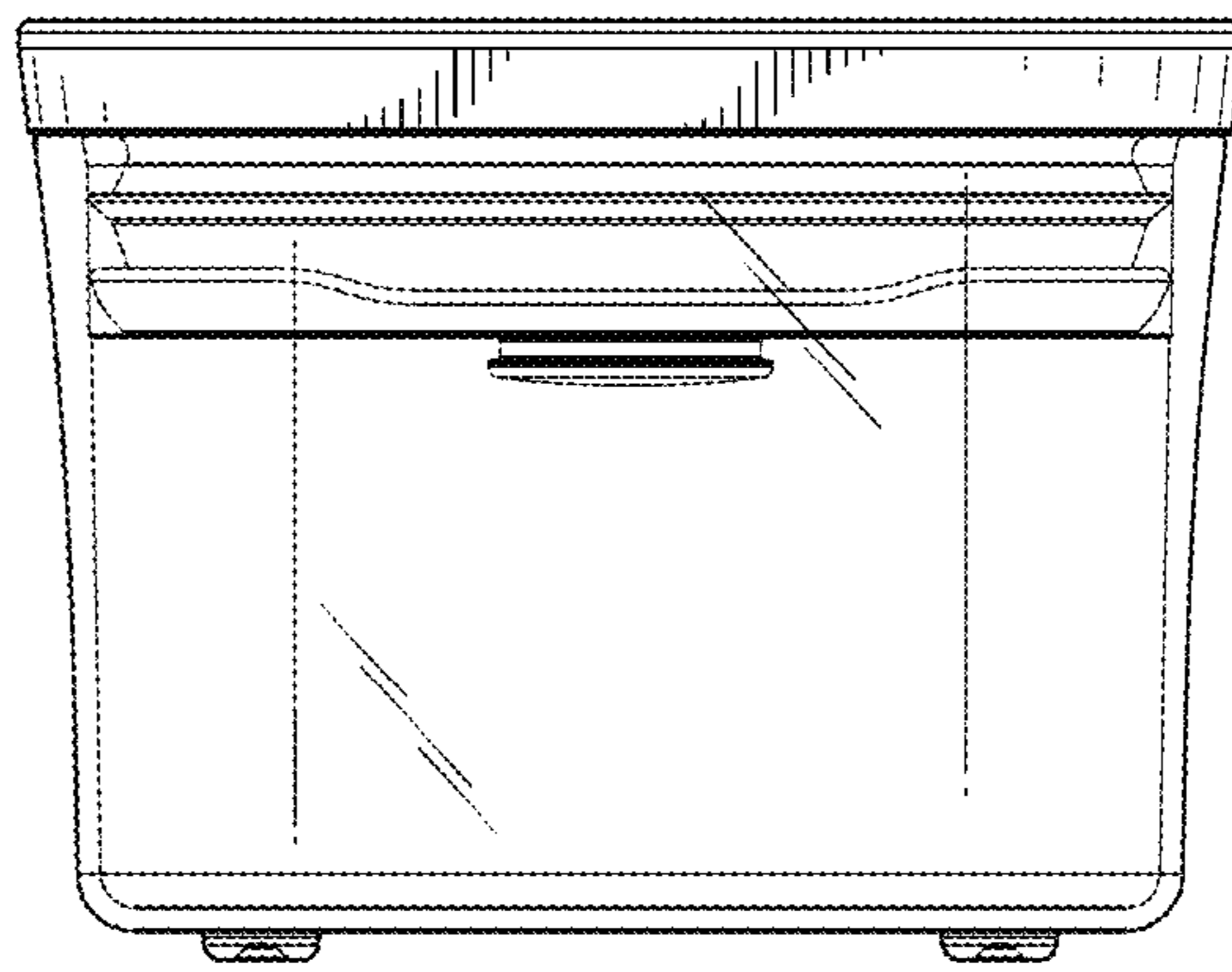


FIG.5

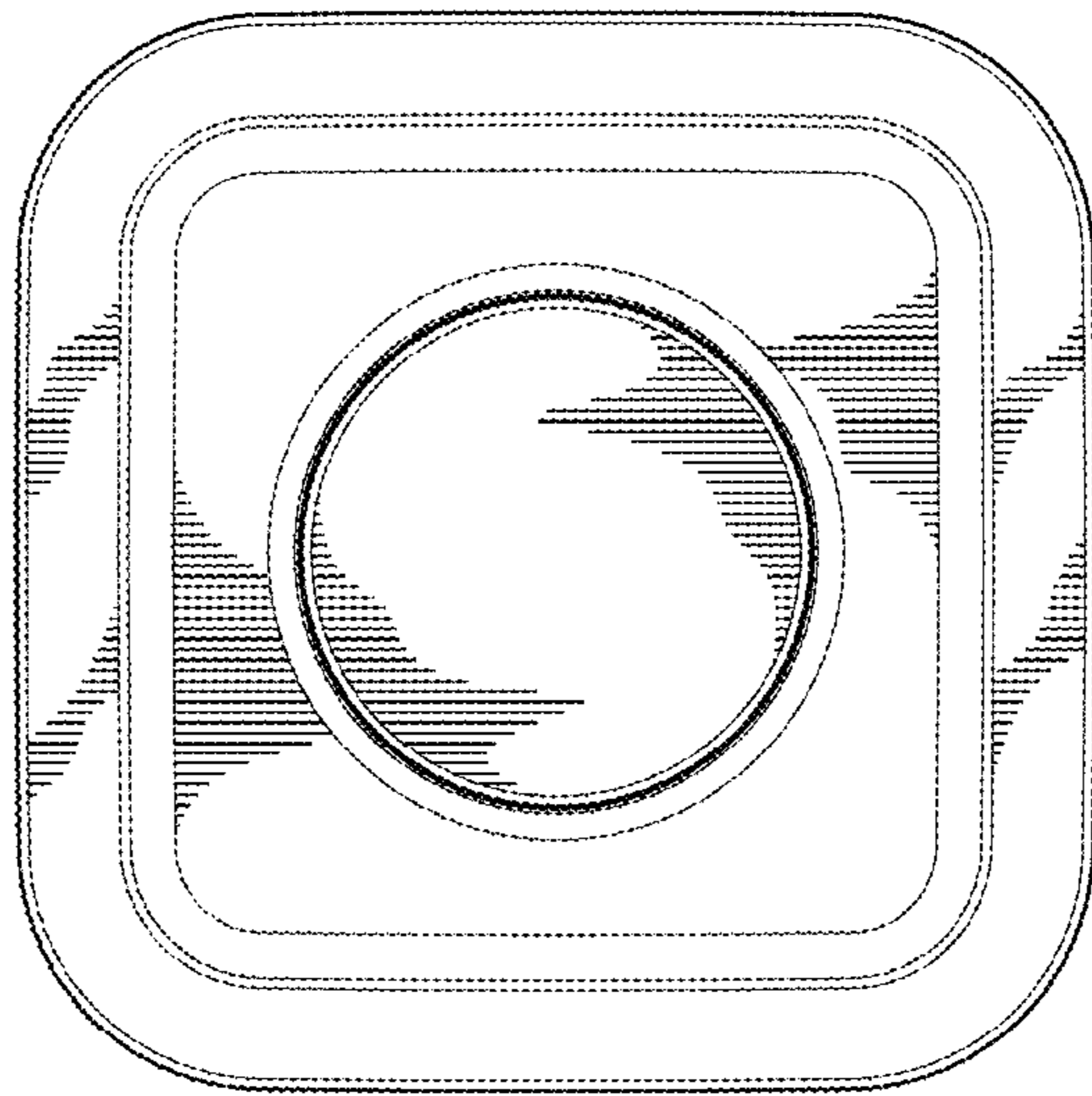


FIG. 6

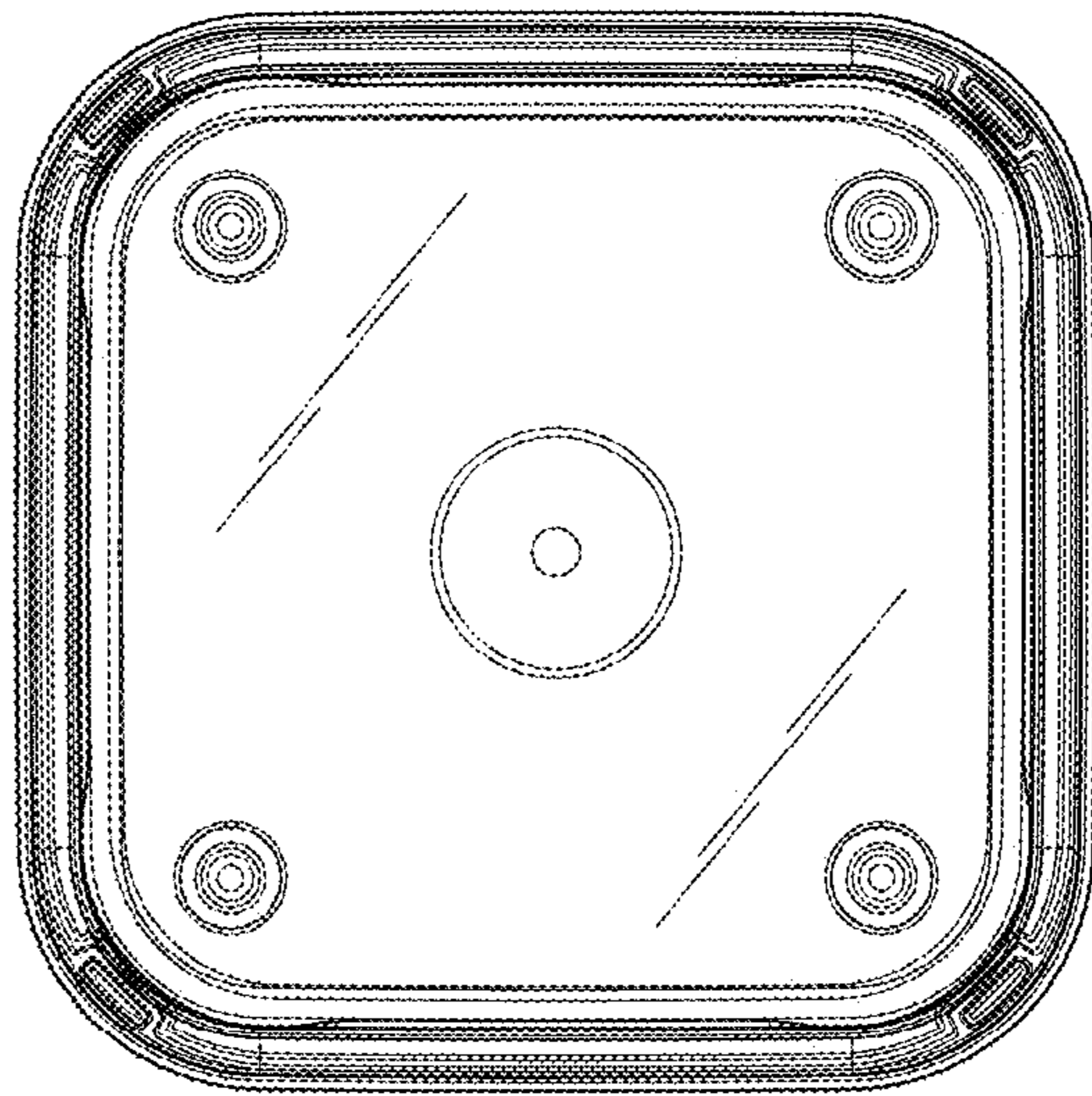


FIG. 7

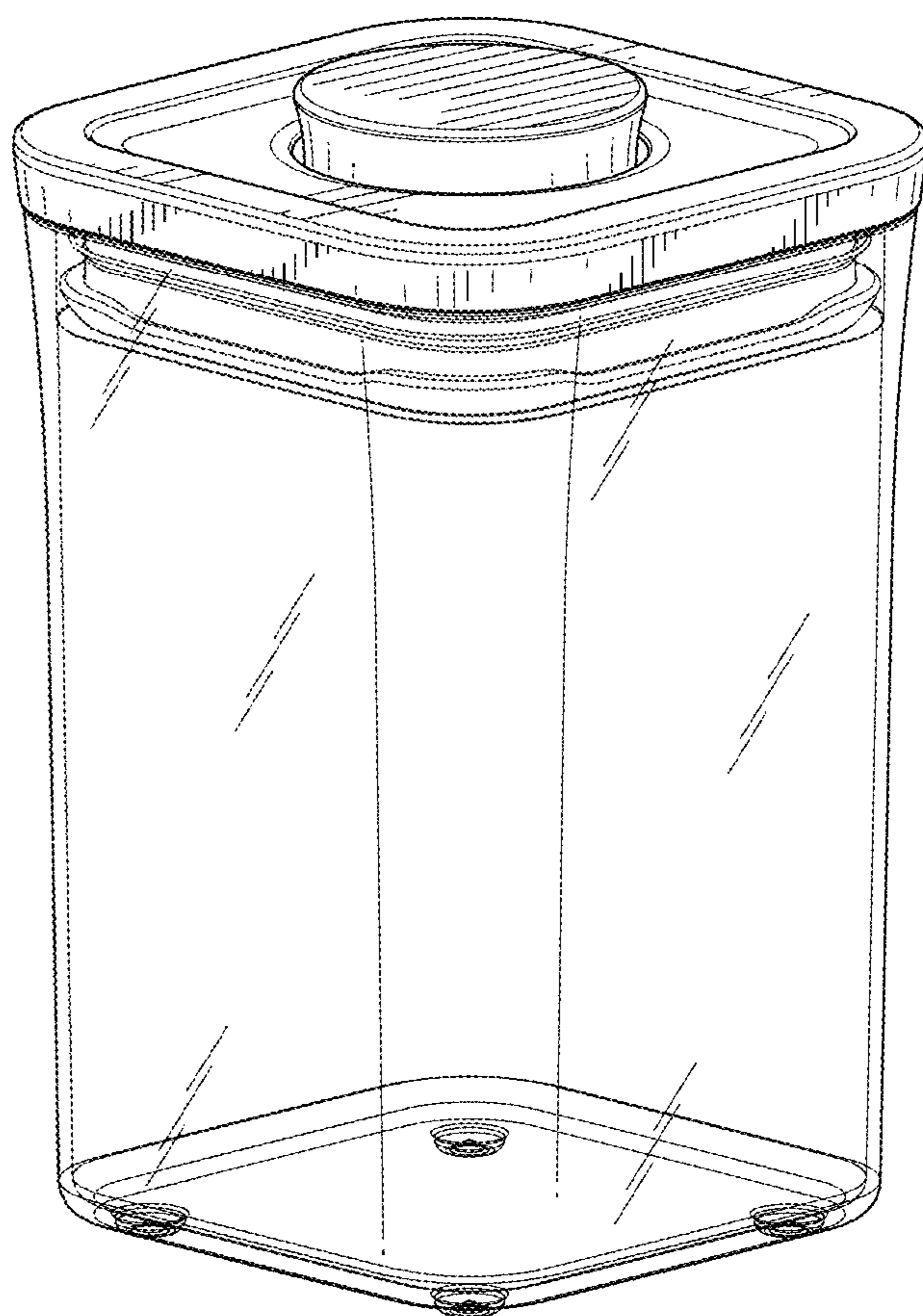


FIG.8

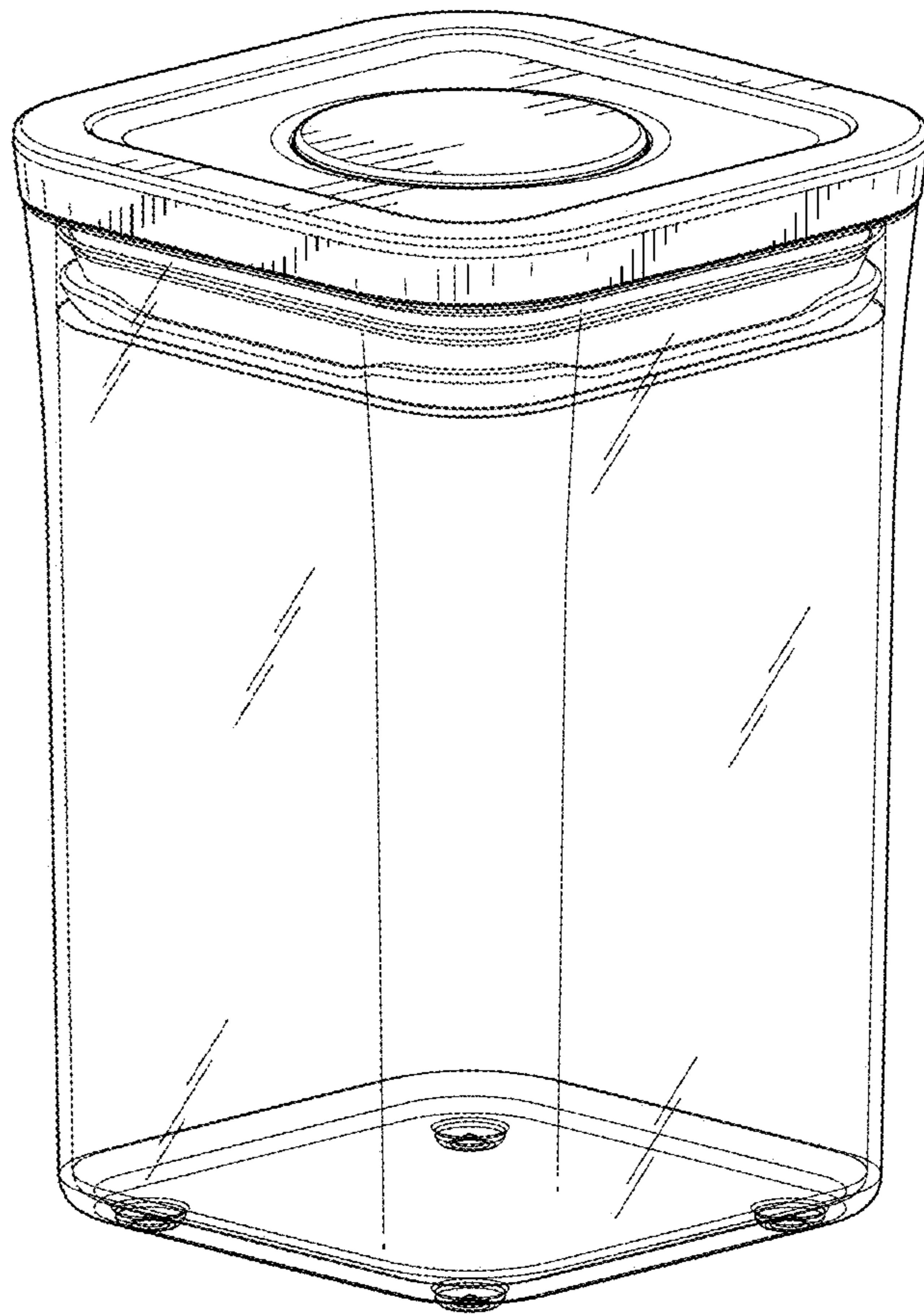


FIG. 9

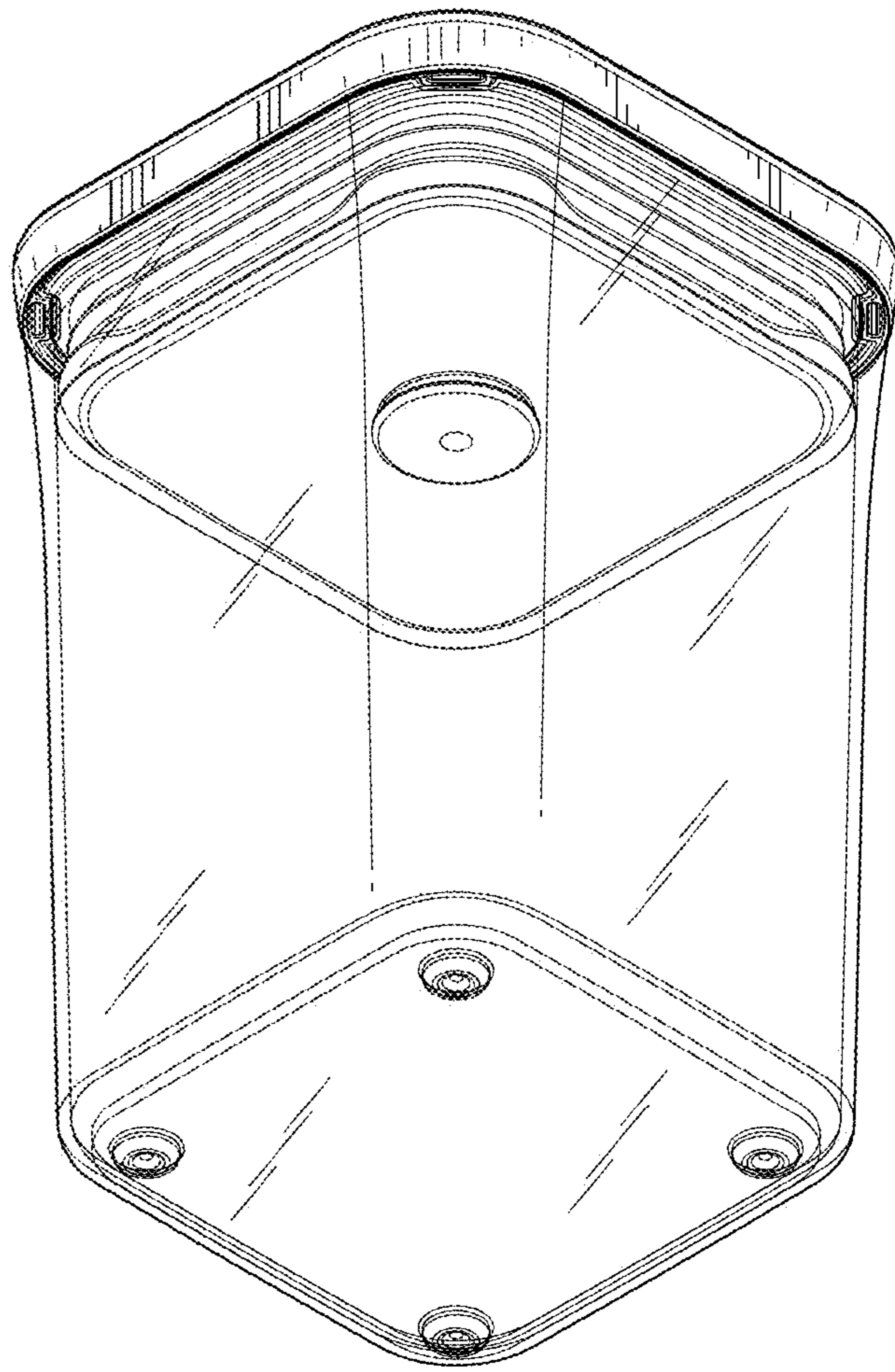


FIG. 10

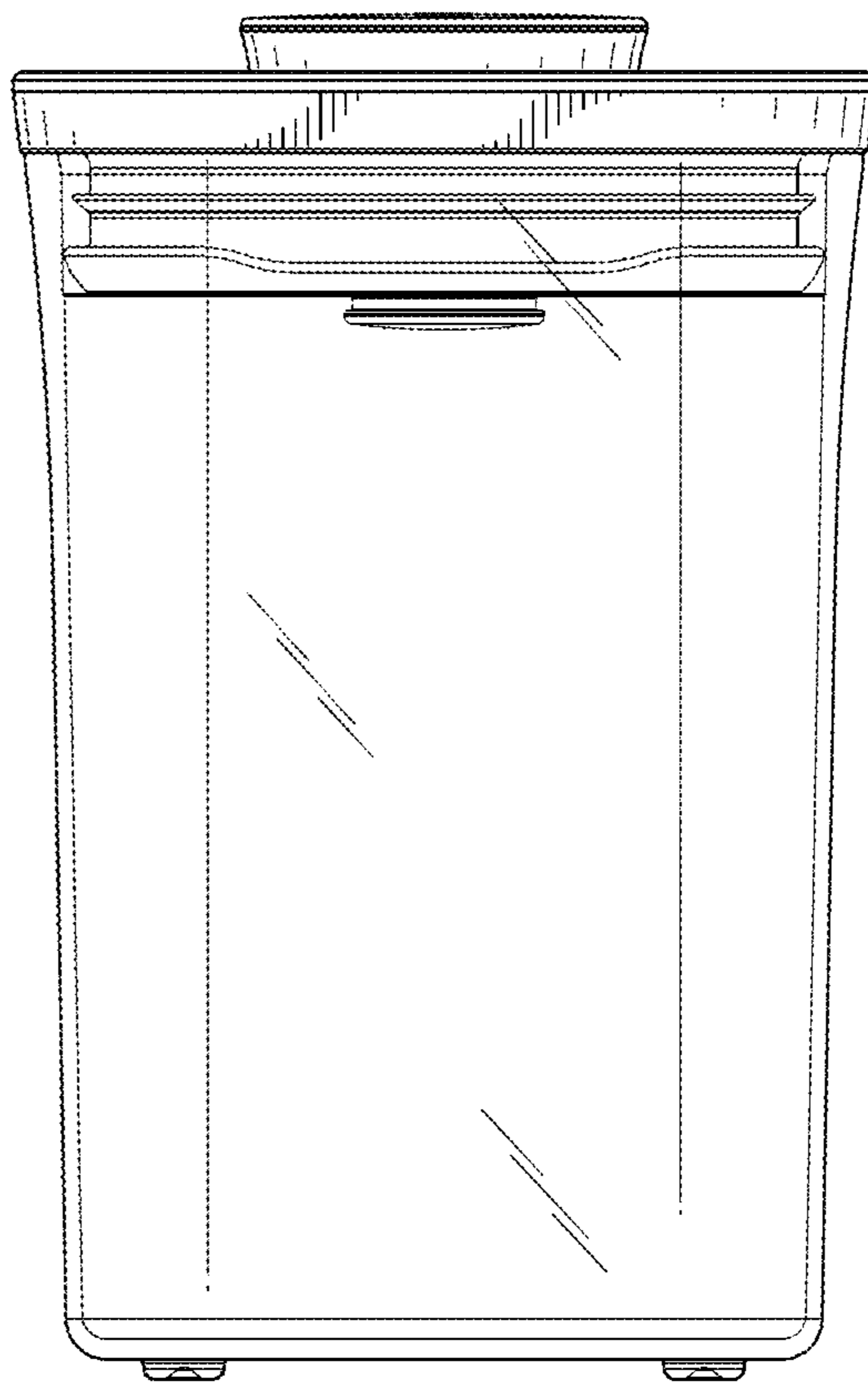


FIG. 11

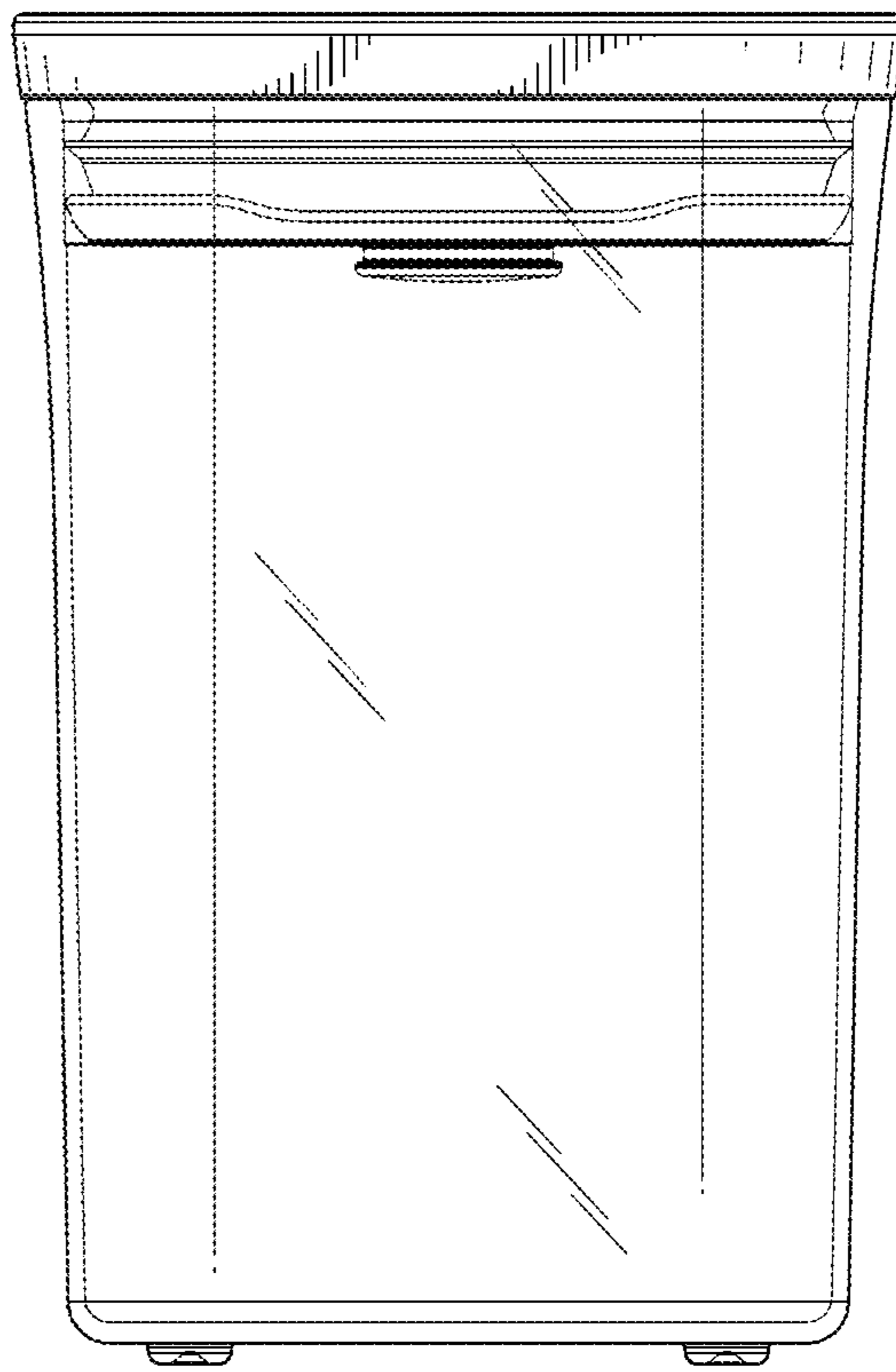


FIG. 12

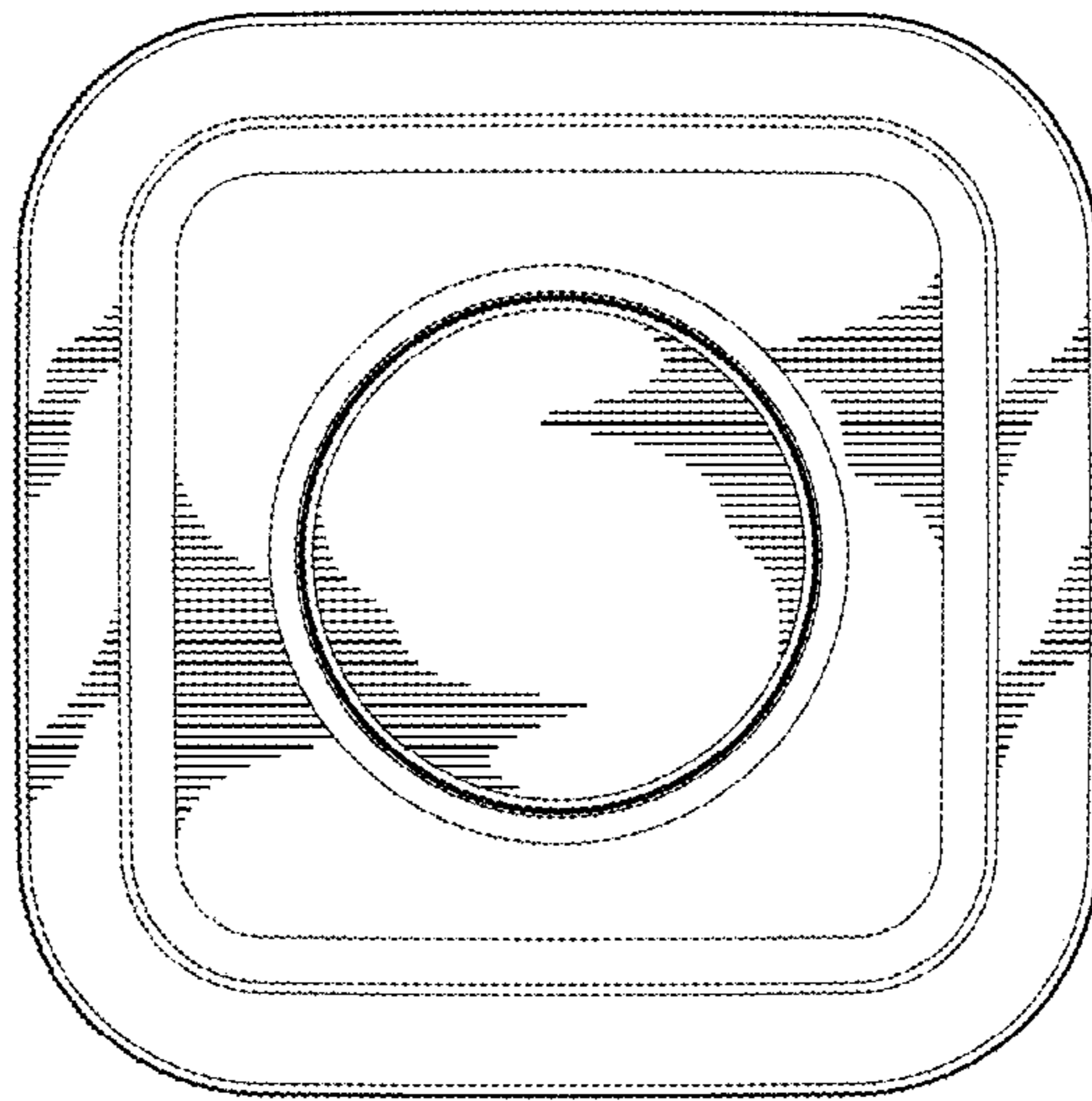


FIG. 13

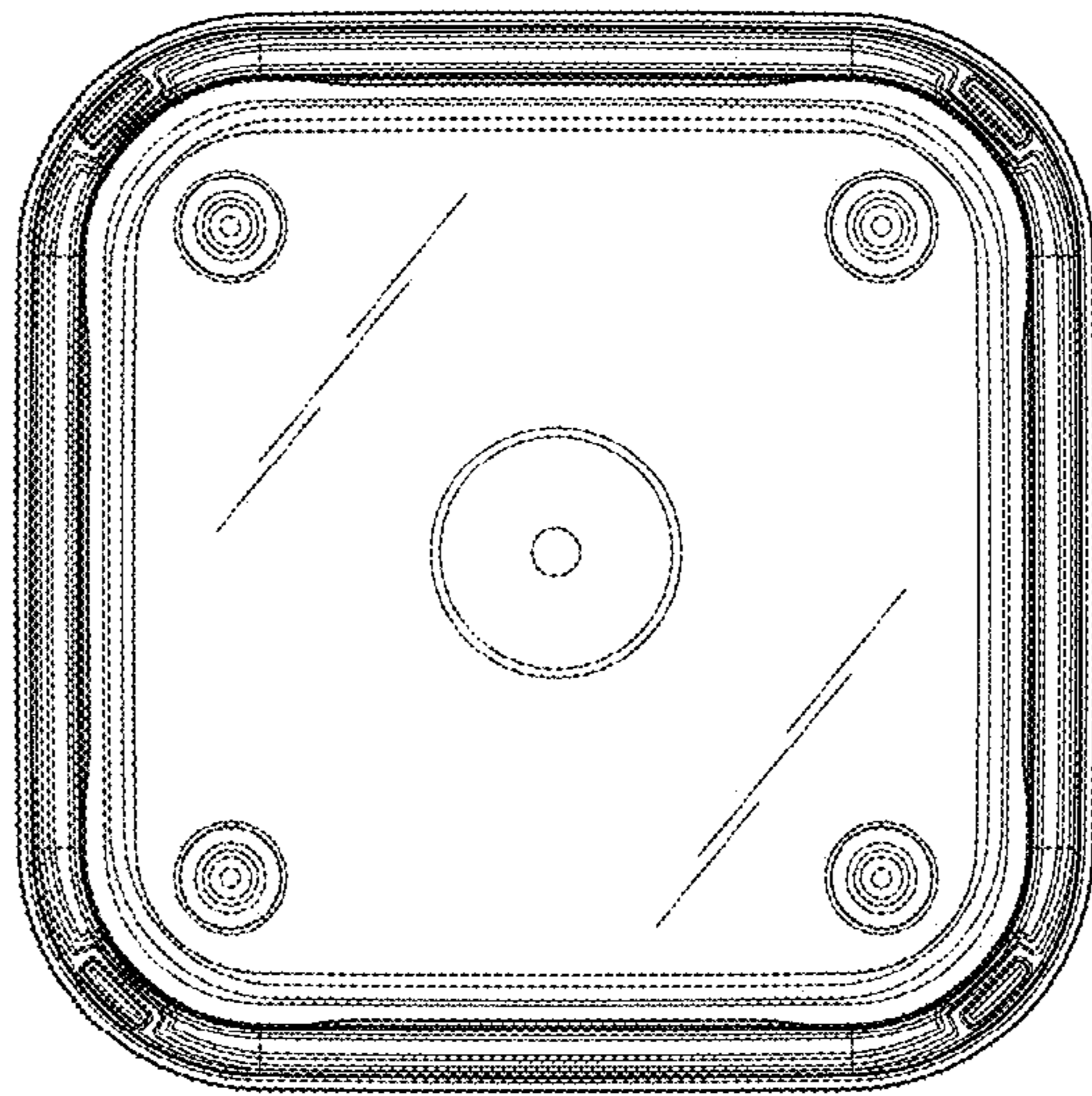


FIG. 14

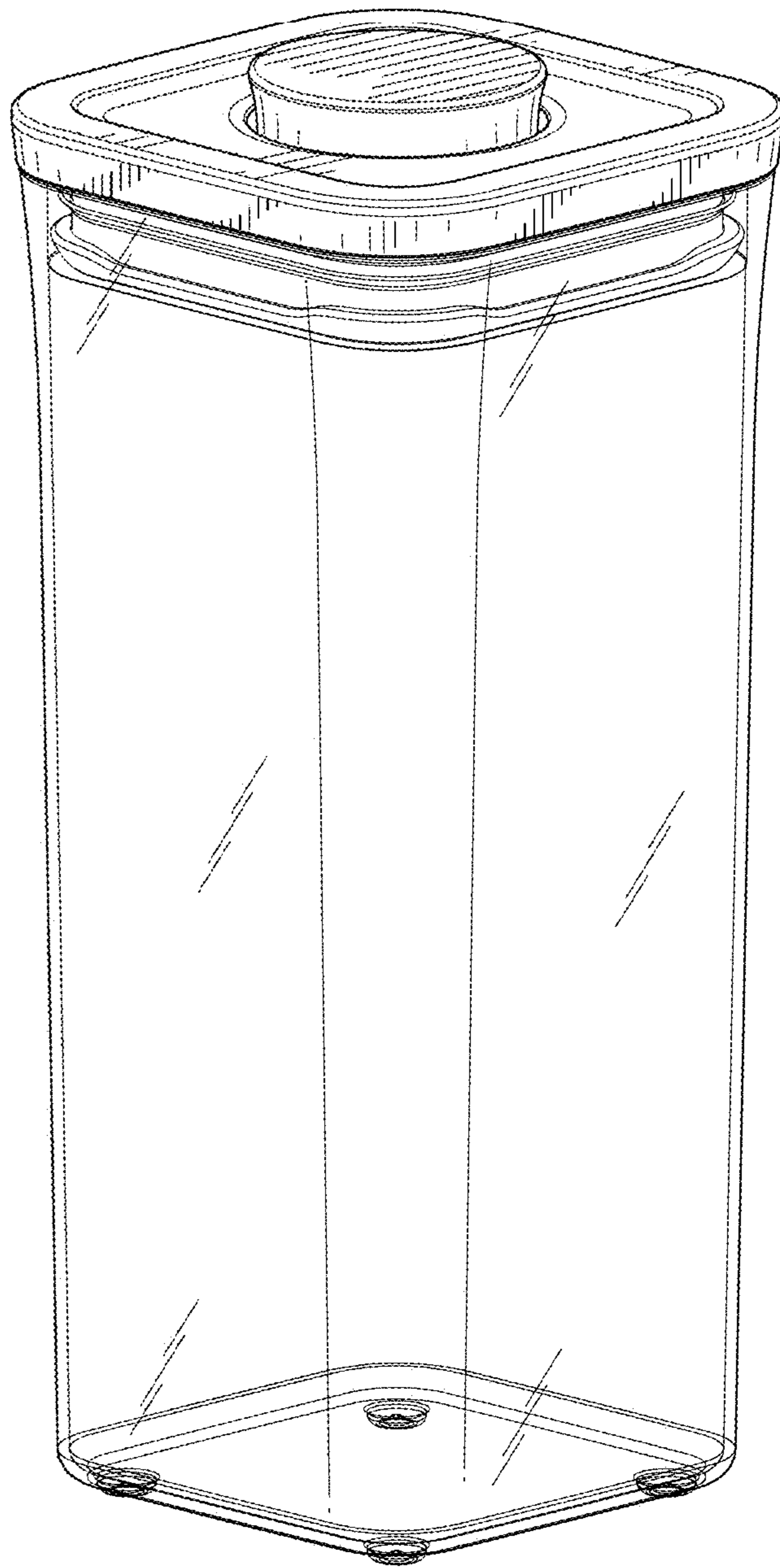


FIG. 15

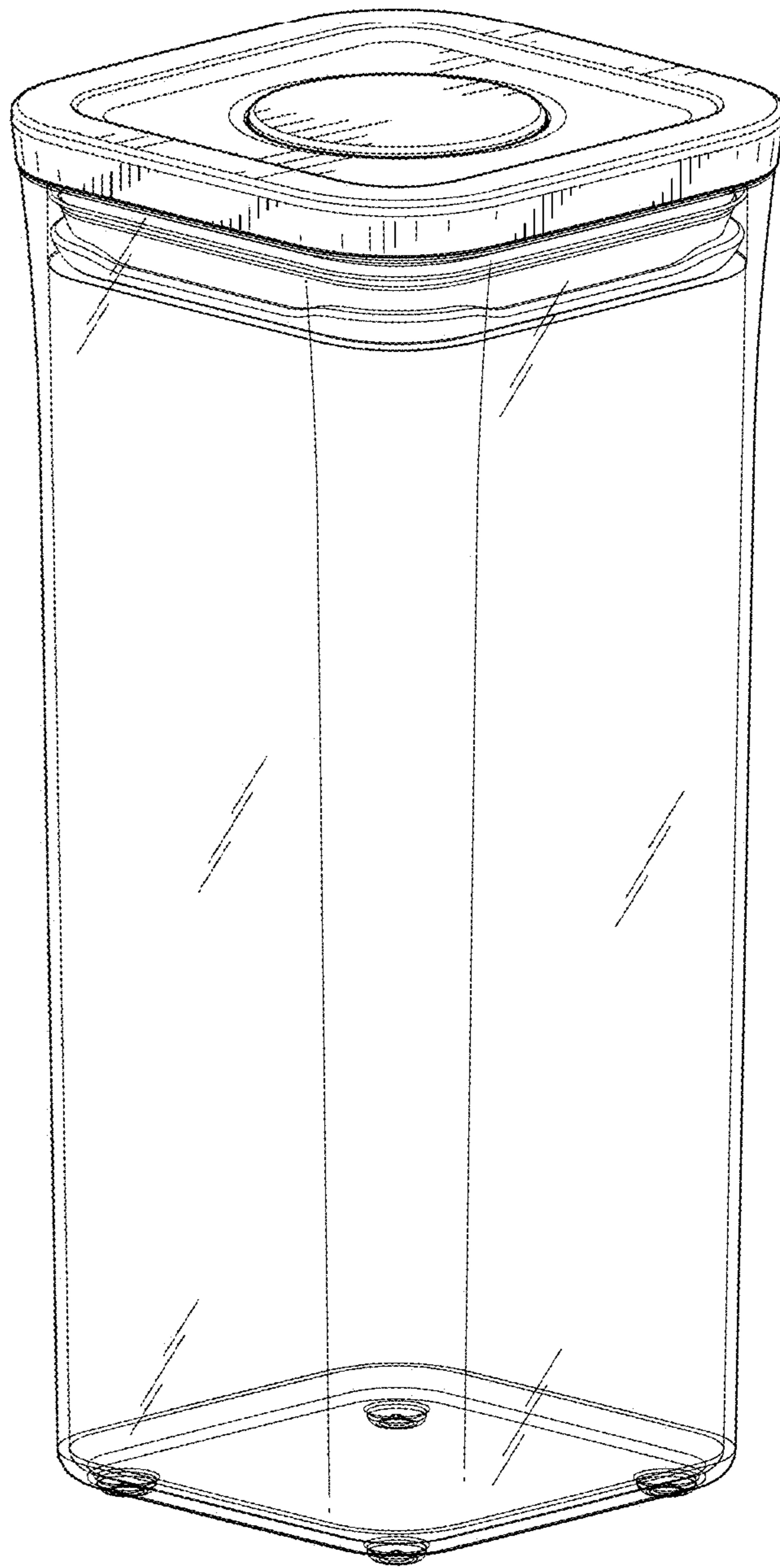


FIG. 16

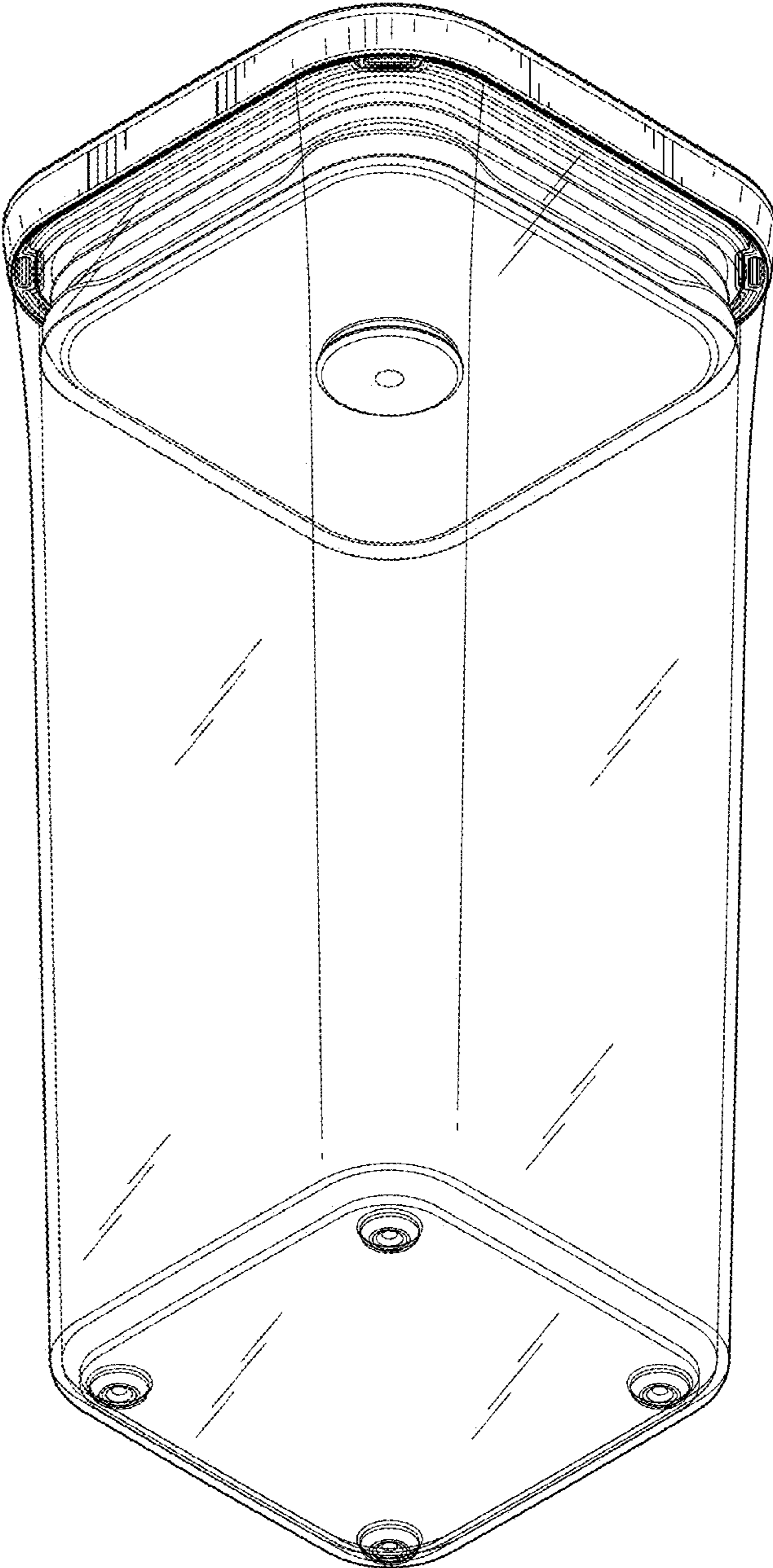


FIG.17

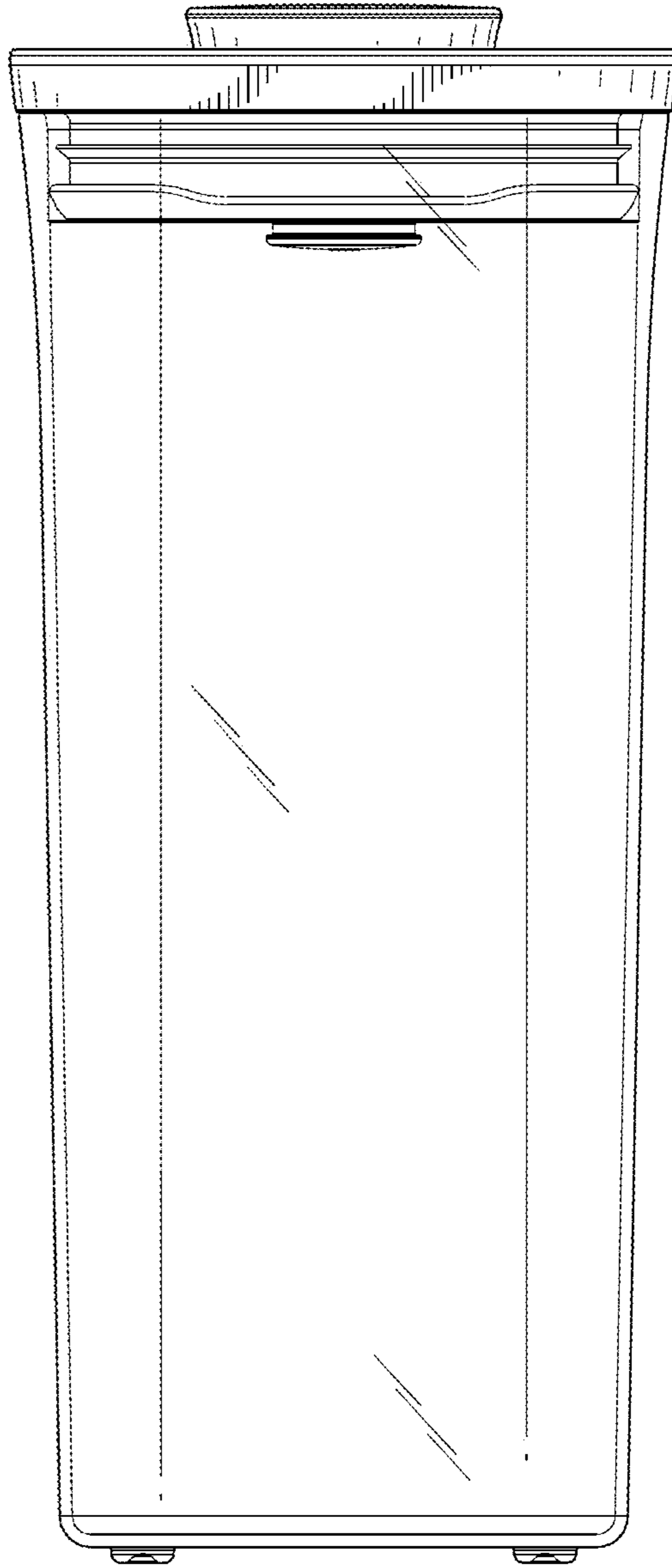


FIG.18

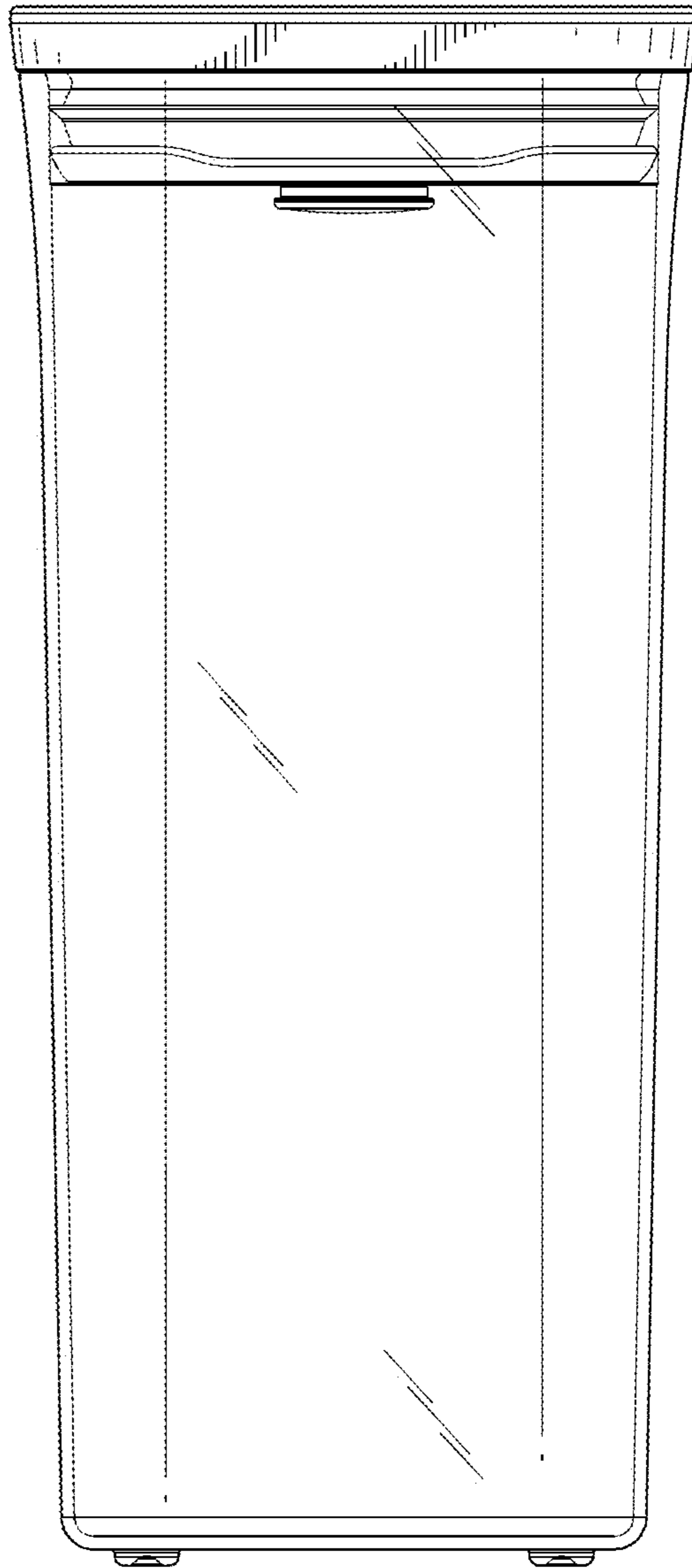


FIG. 19

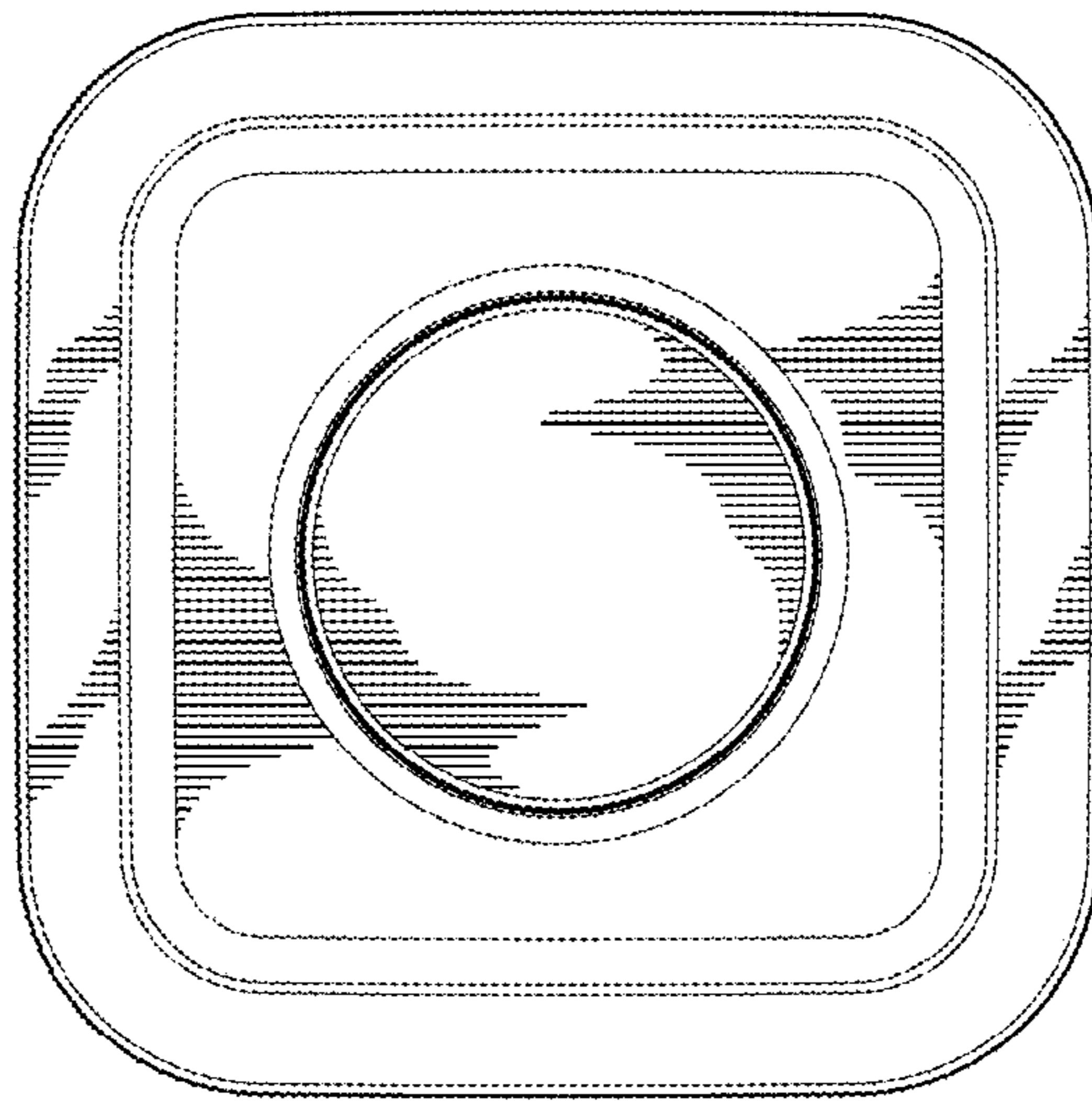


FIG. 20

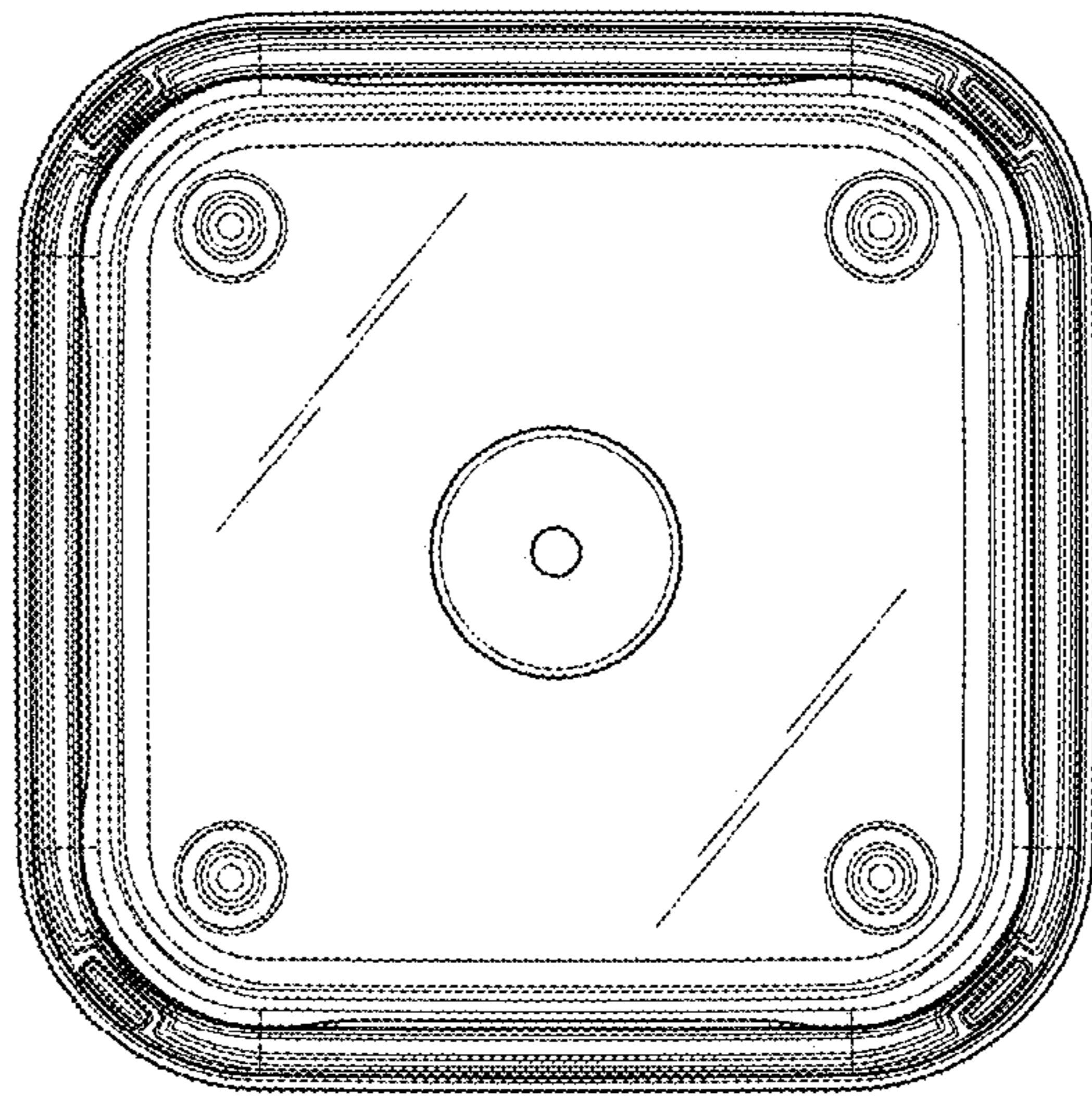


FIG.21

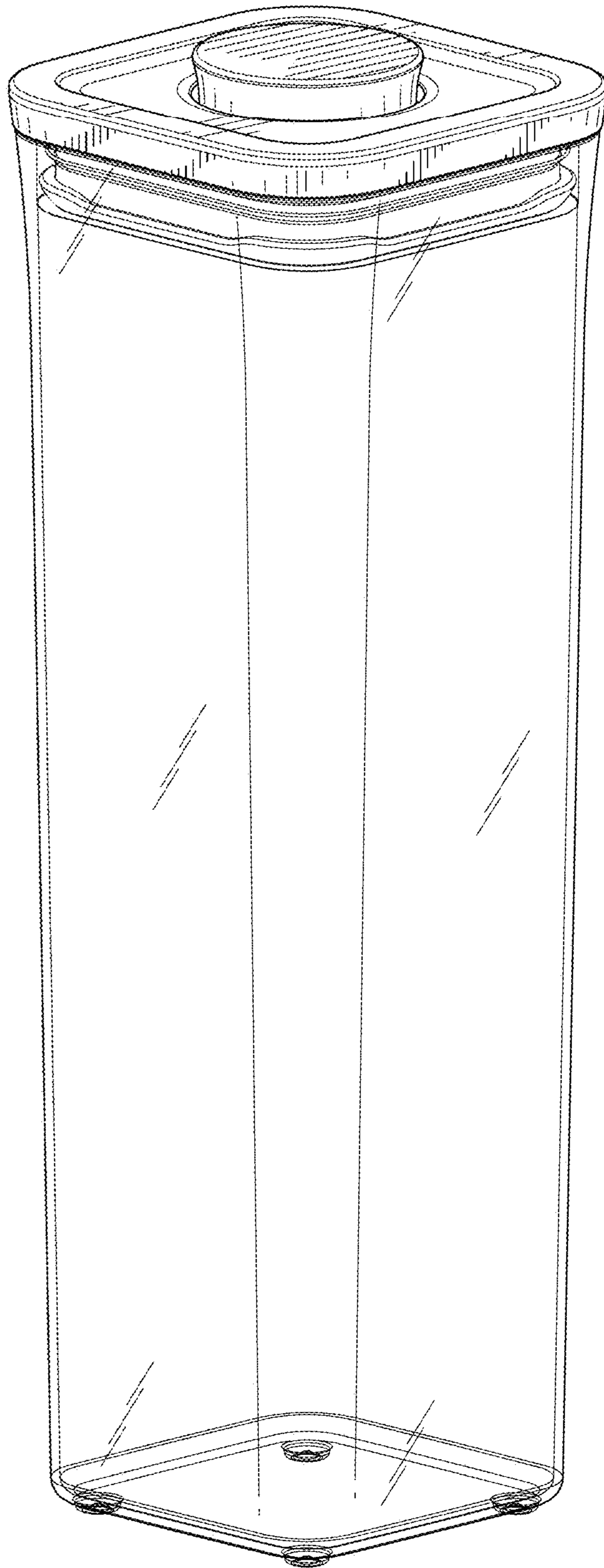


FIG. 22

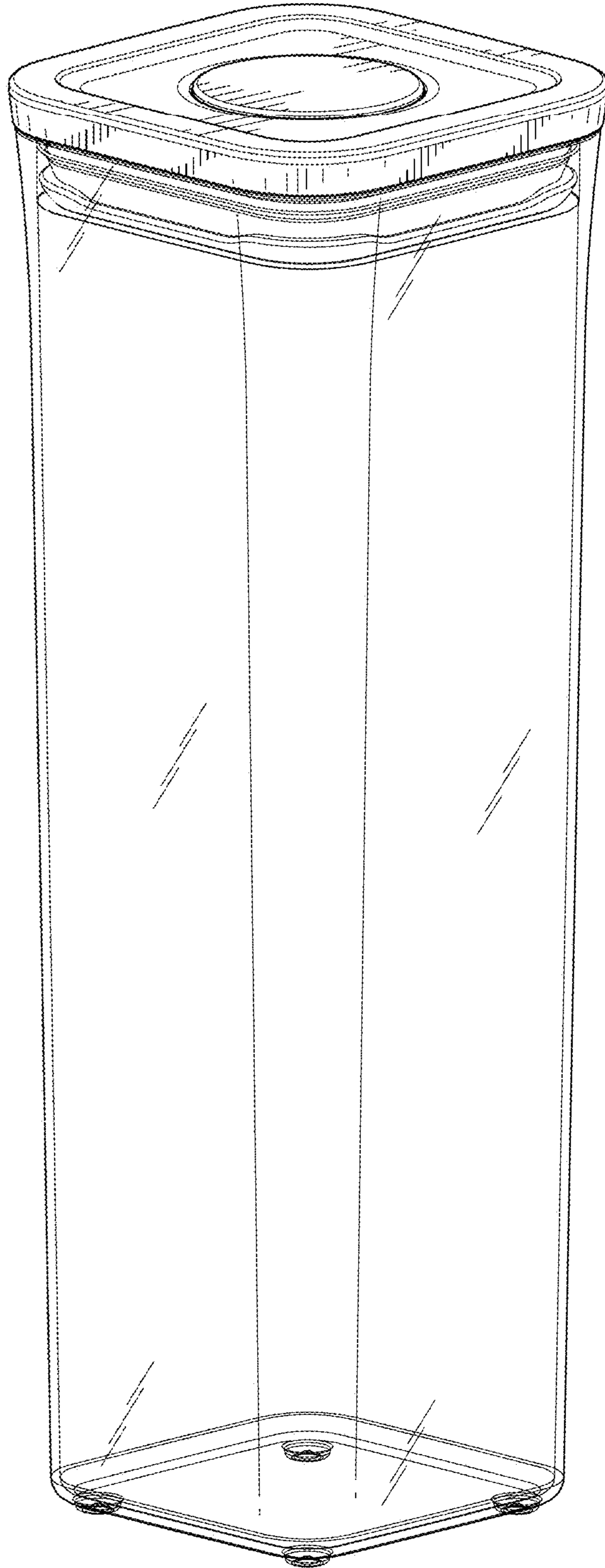


FIG. 23

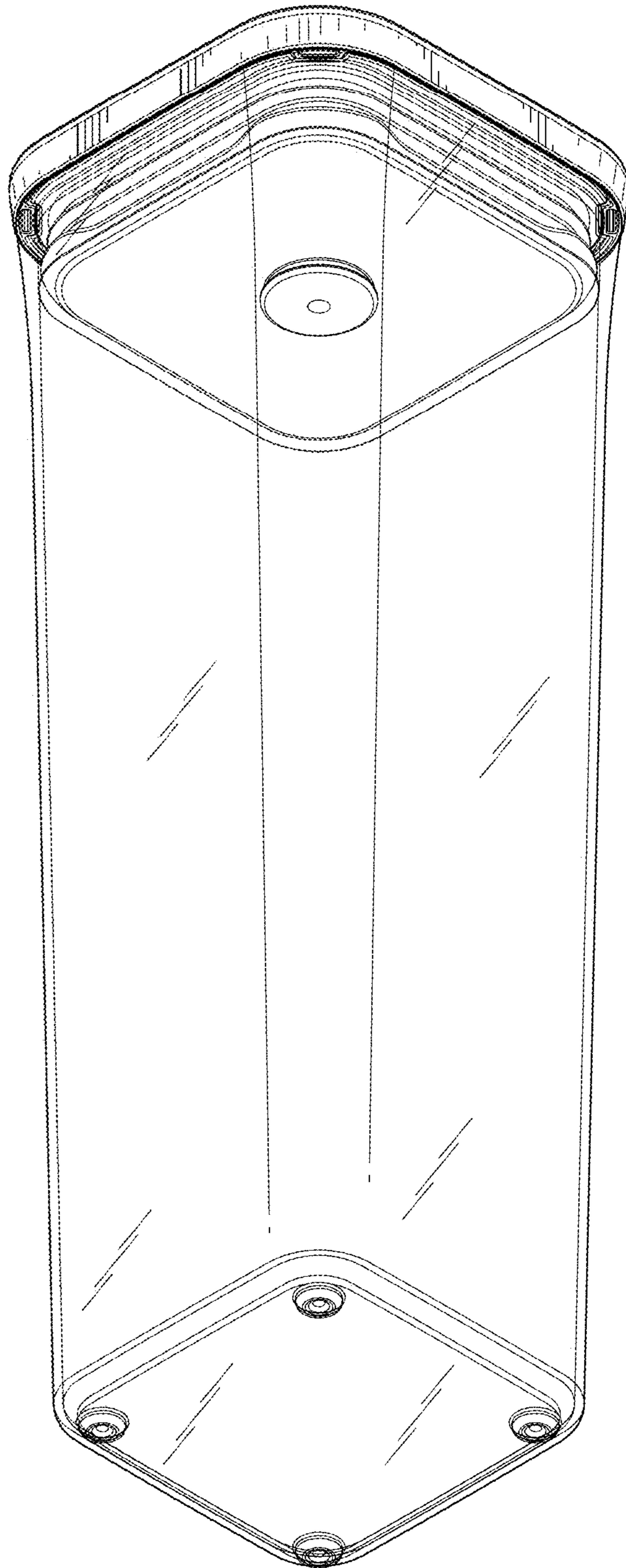


FIG. 24

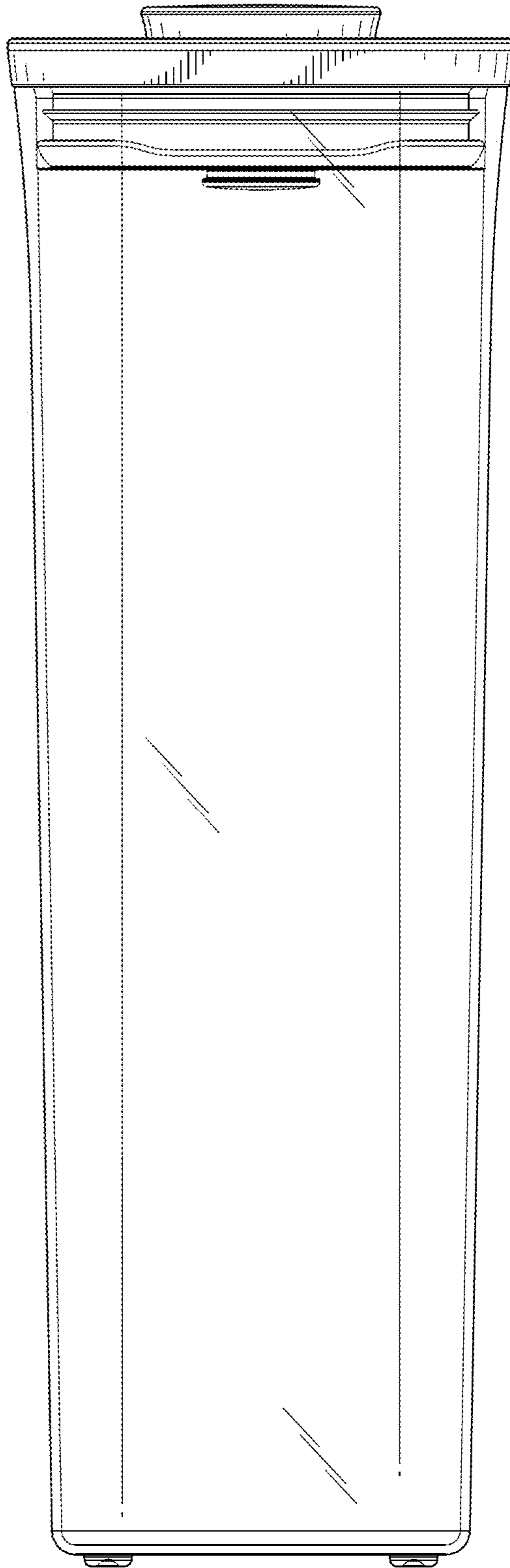


FIG. 25

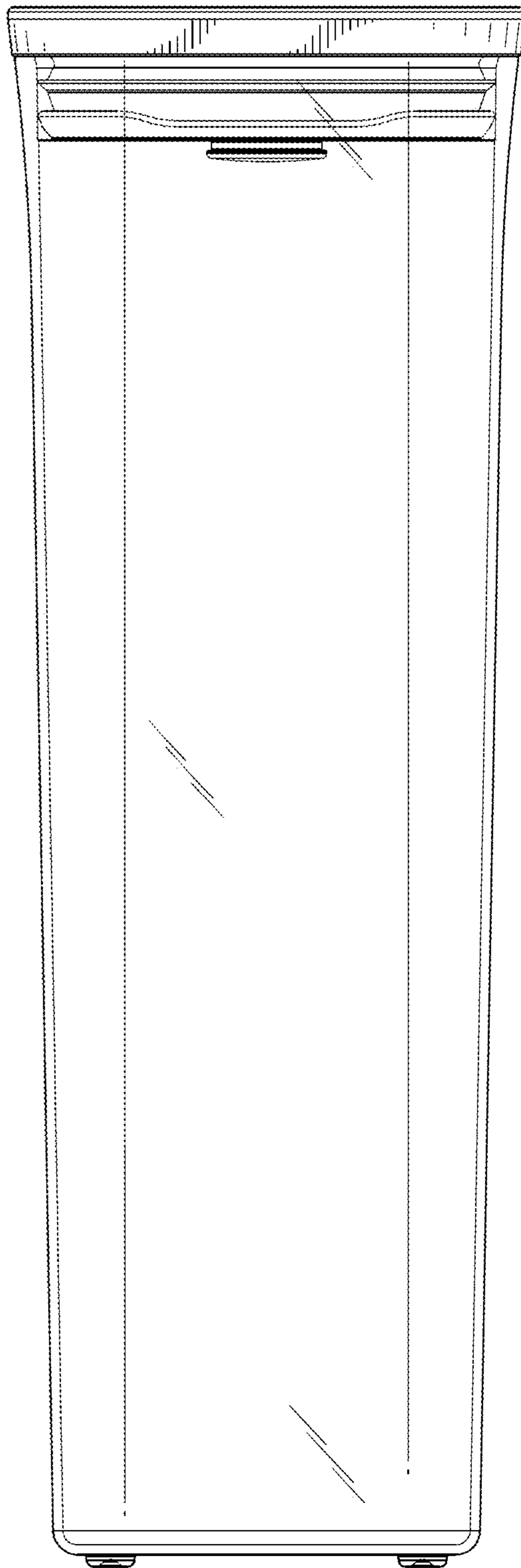


FIG. 26

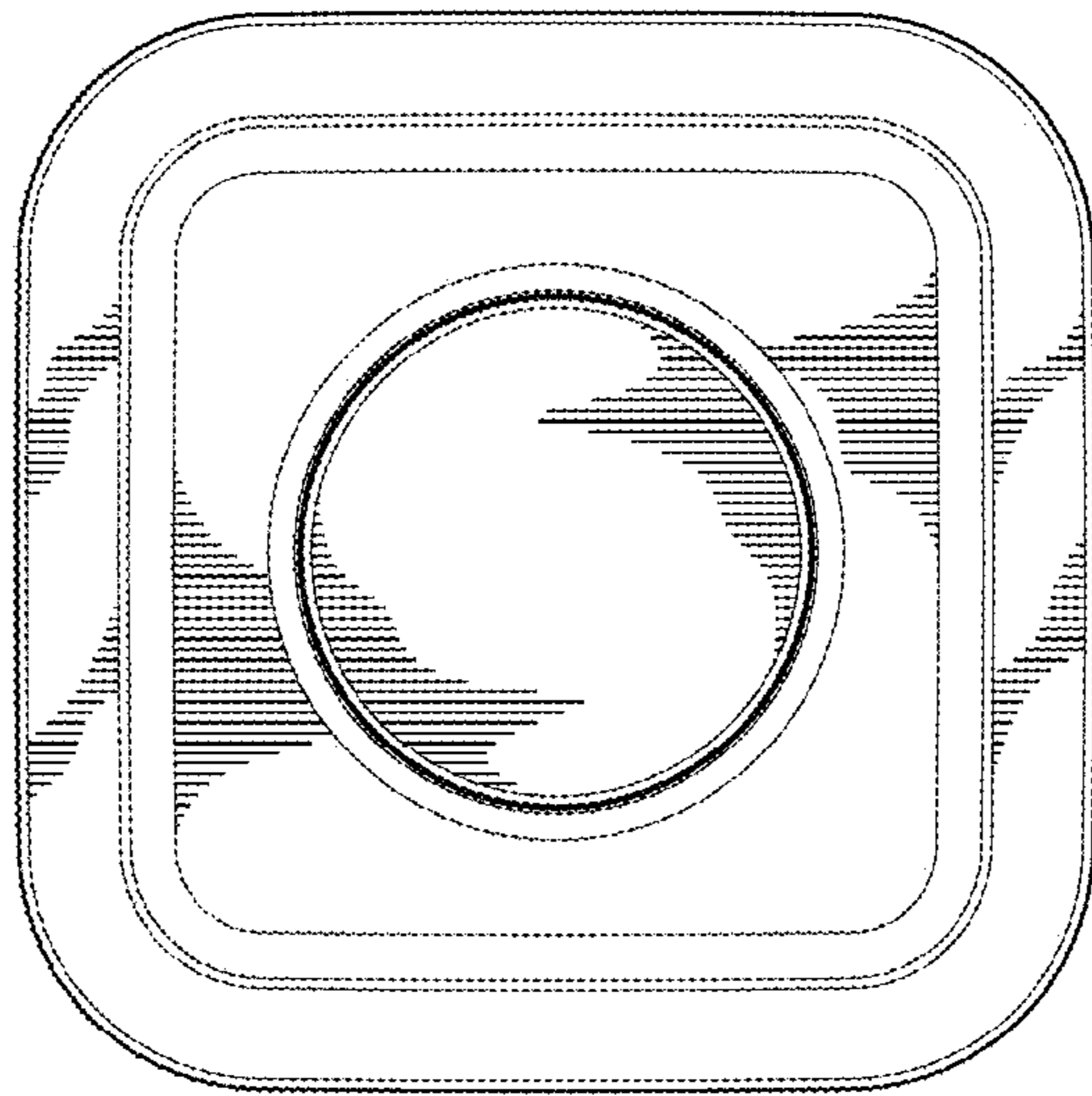


FIG. 27

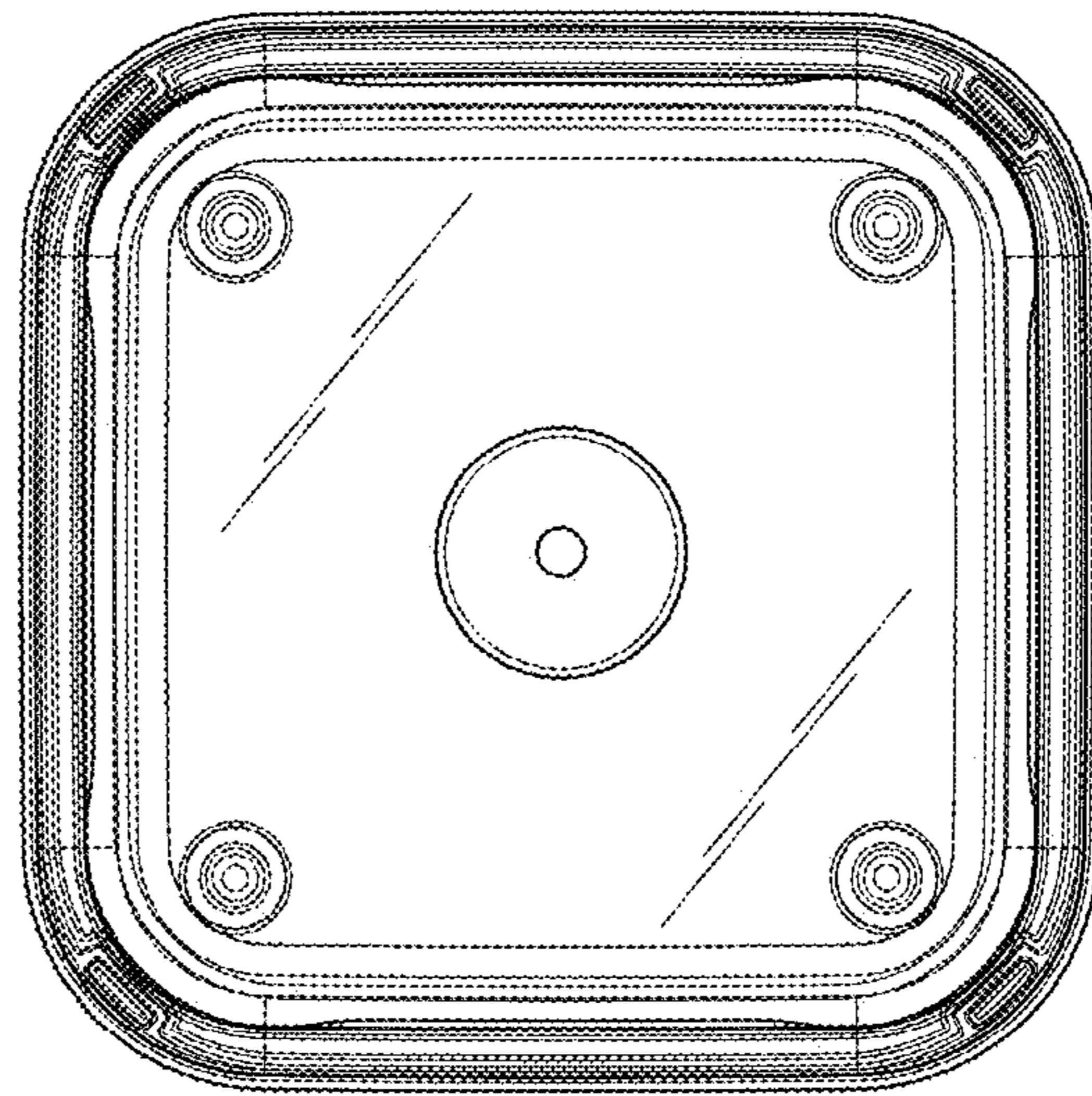


FIG.28

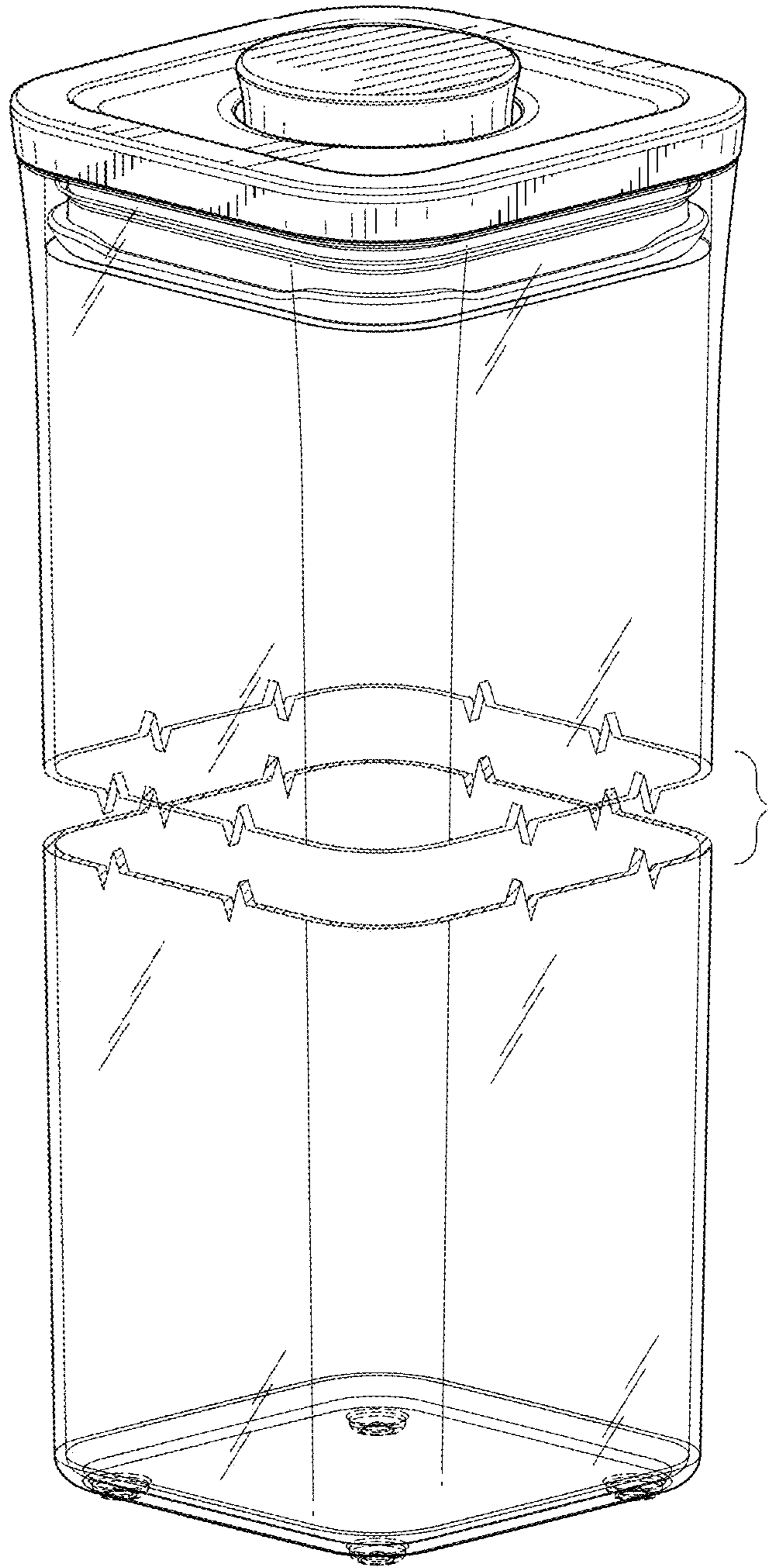


FIG. 29

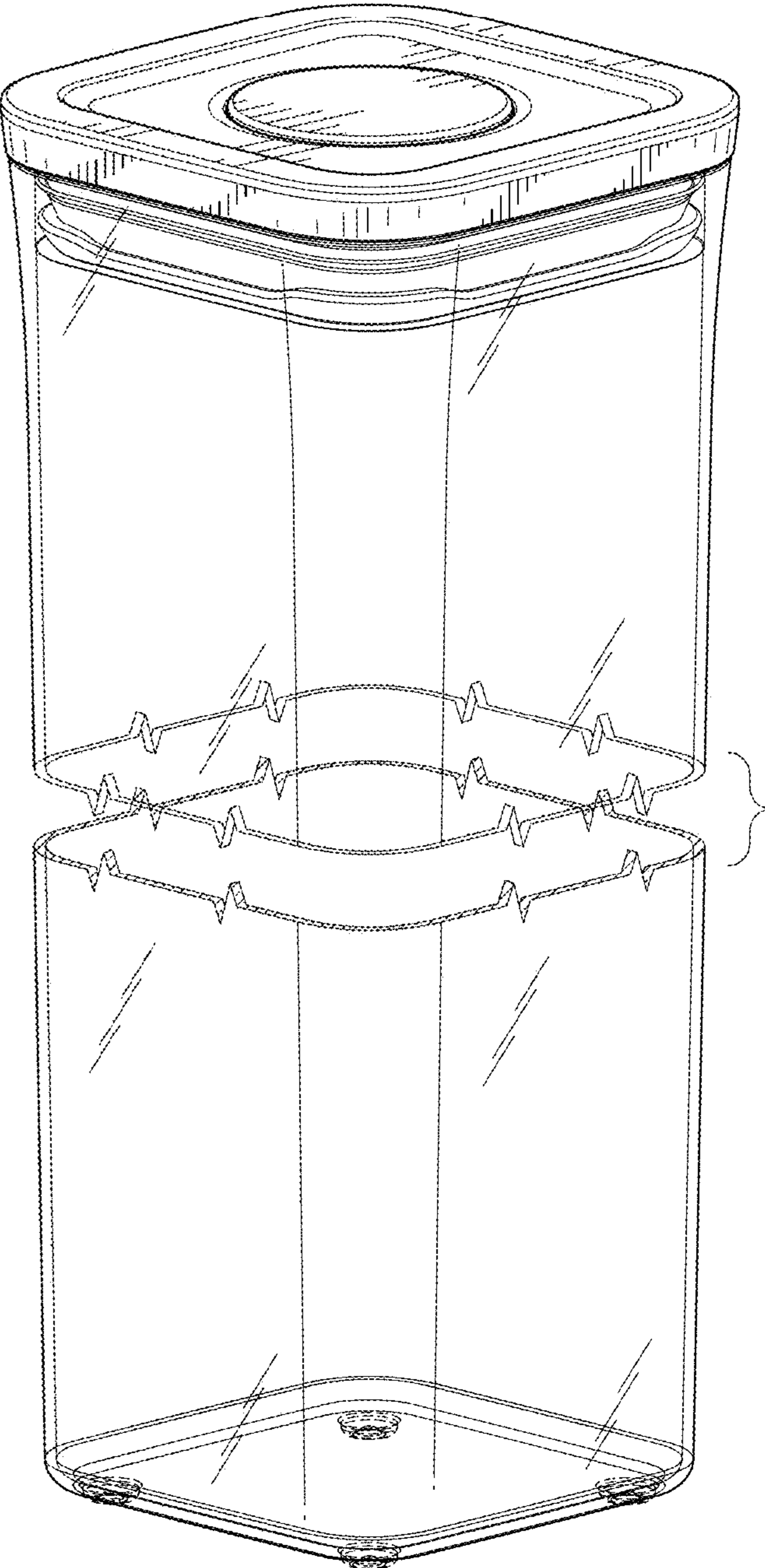


FIG.30

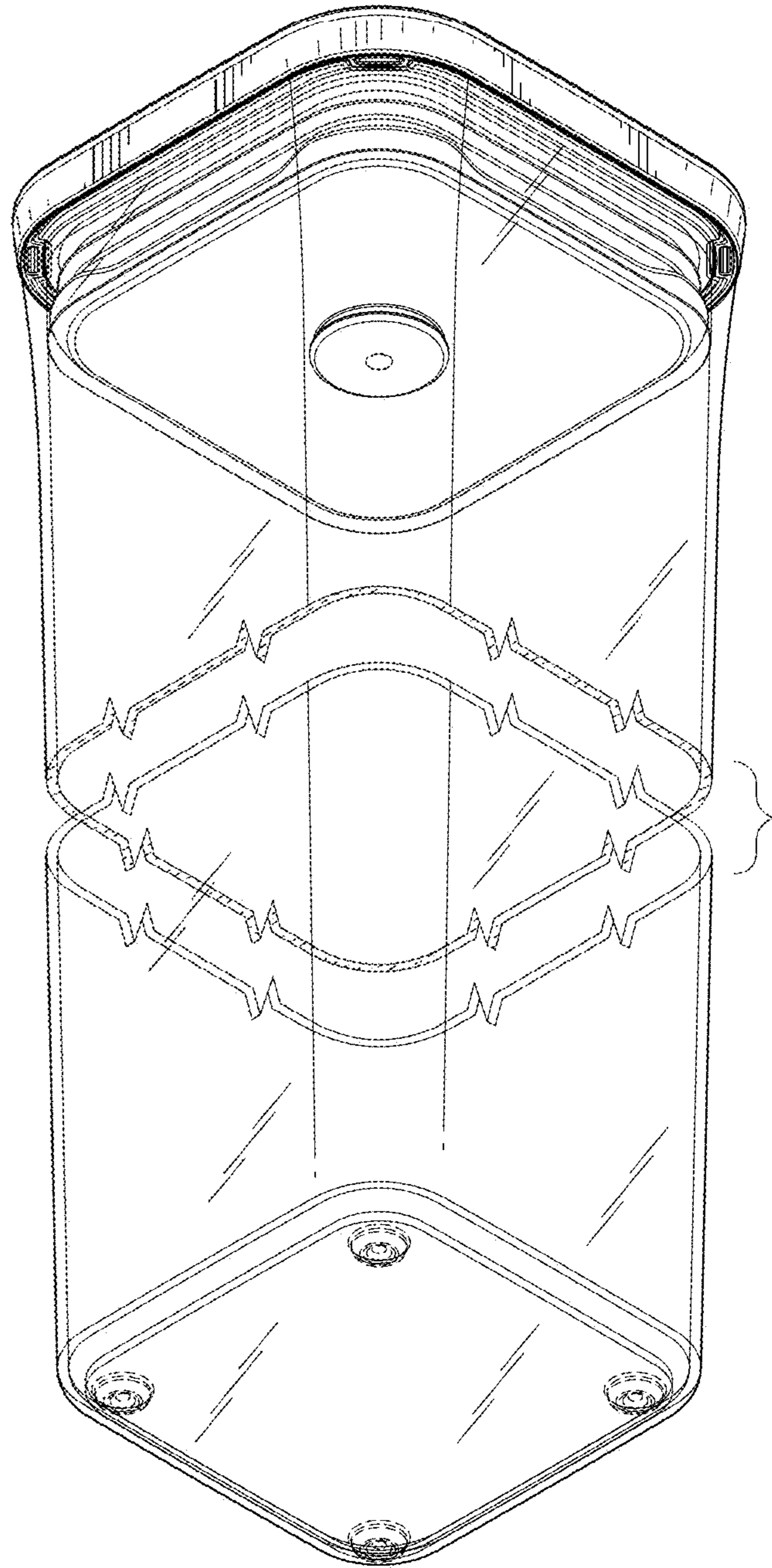


FIG. 31

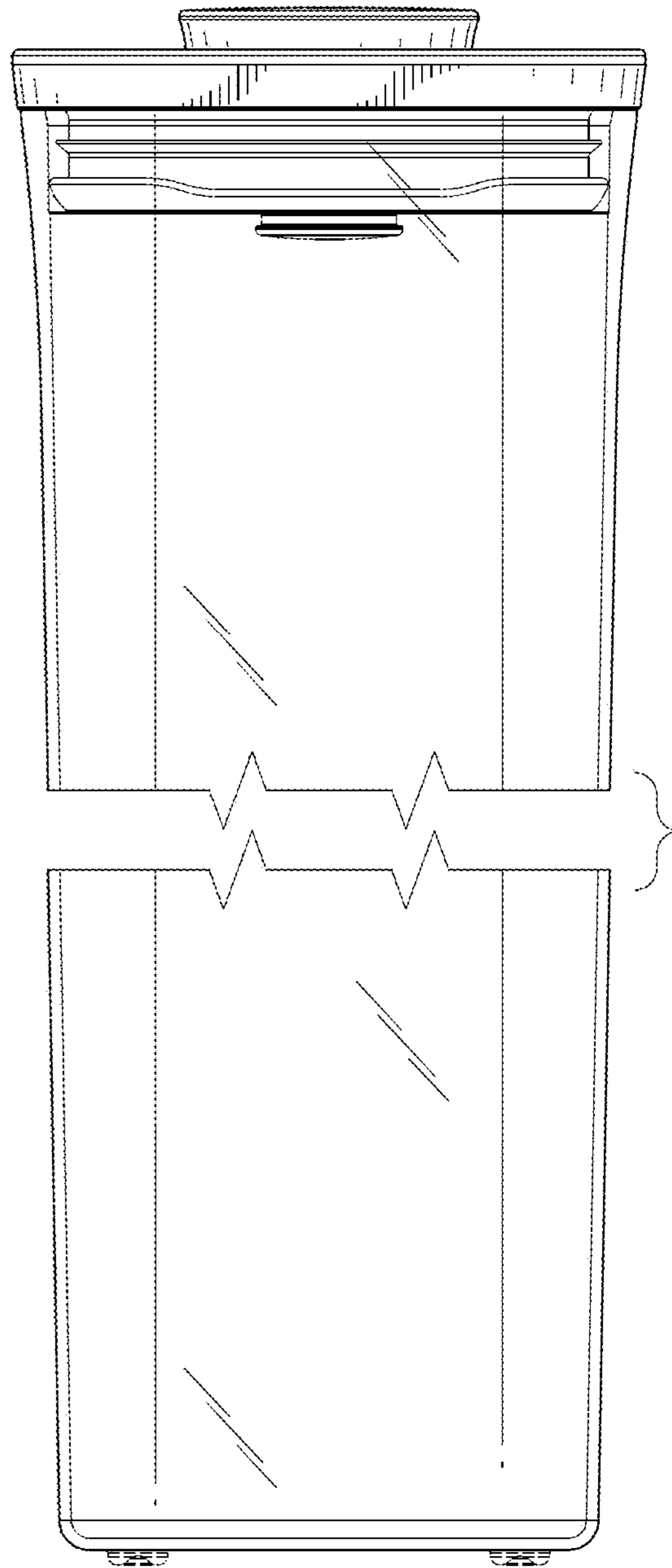


FIG. 32

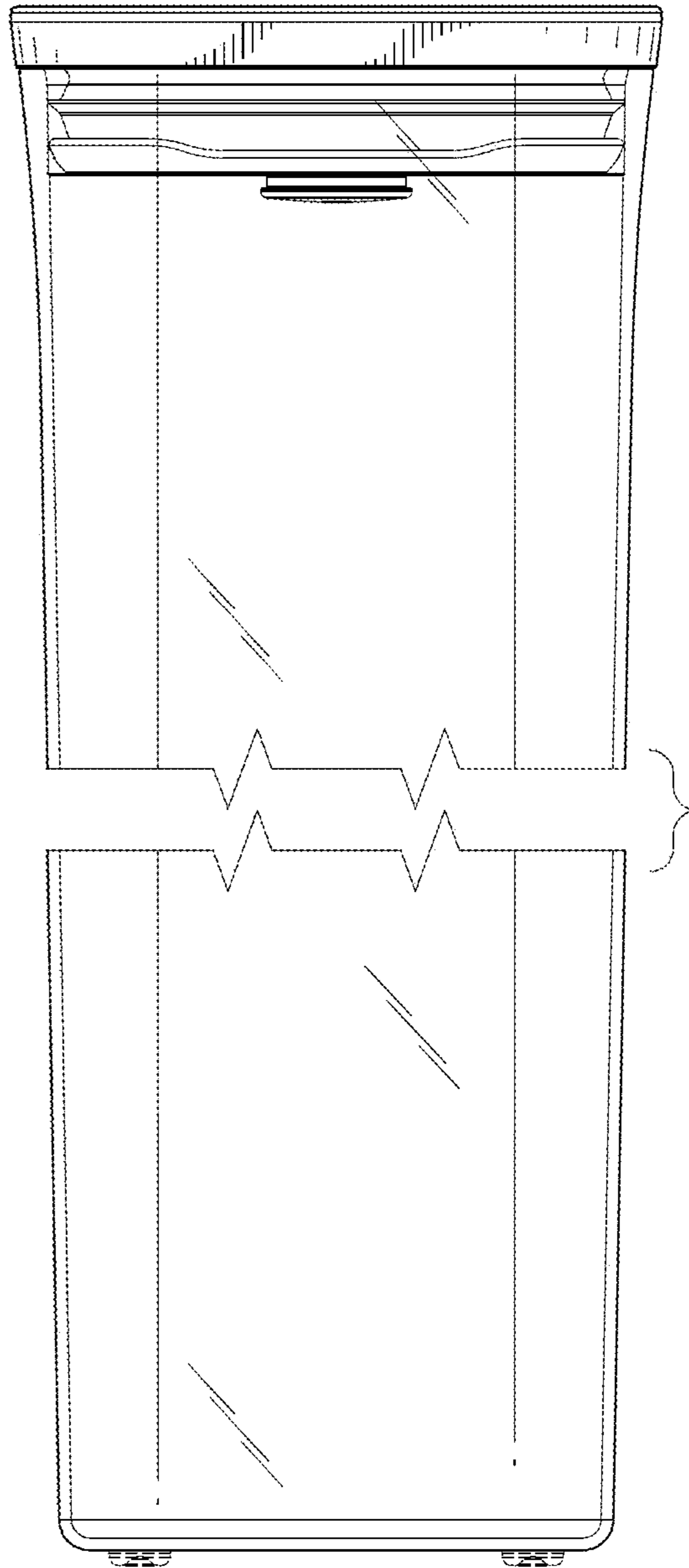


FIG.33

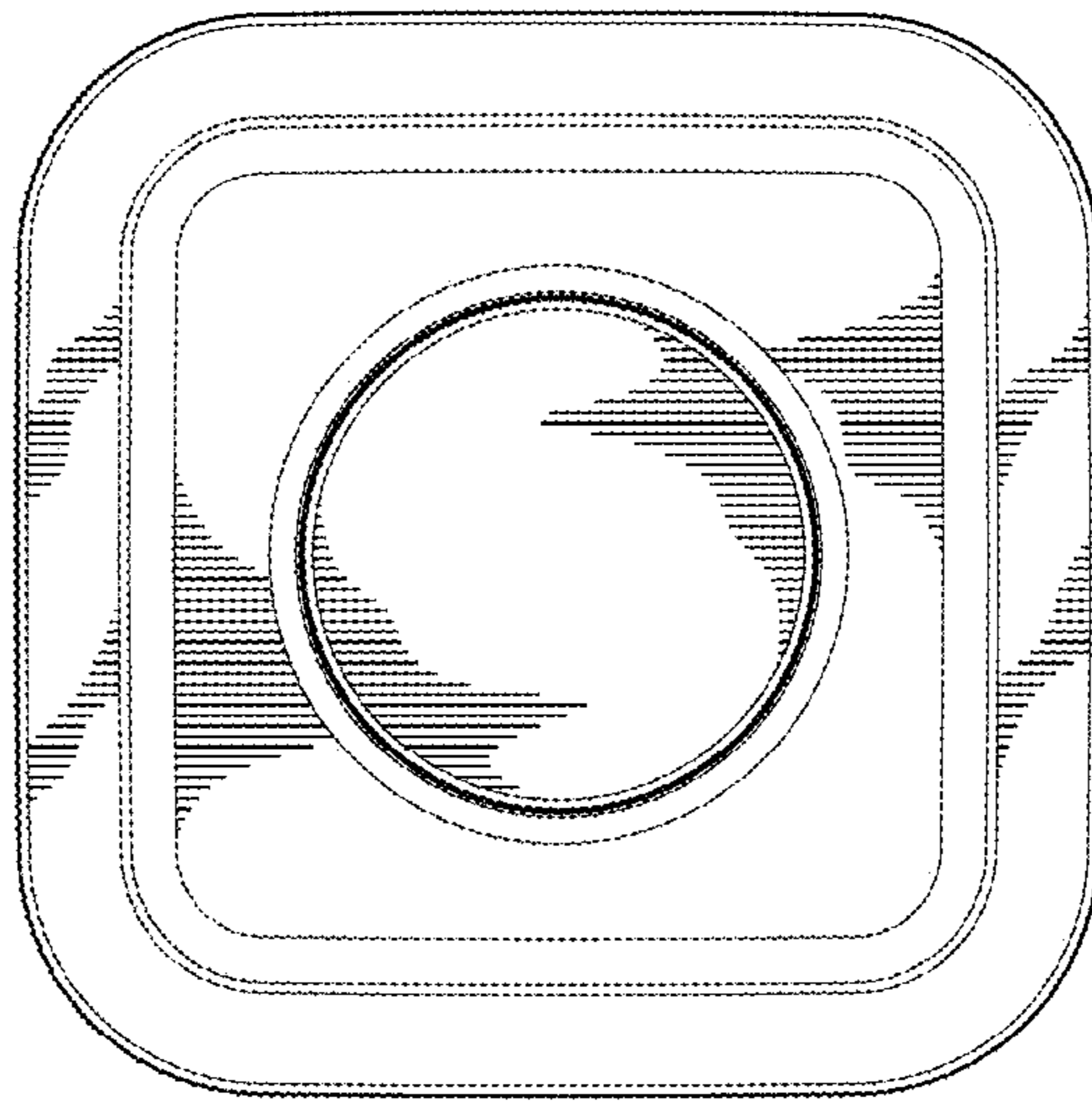


FIG. 34

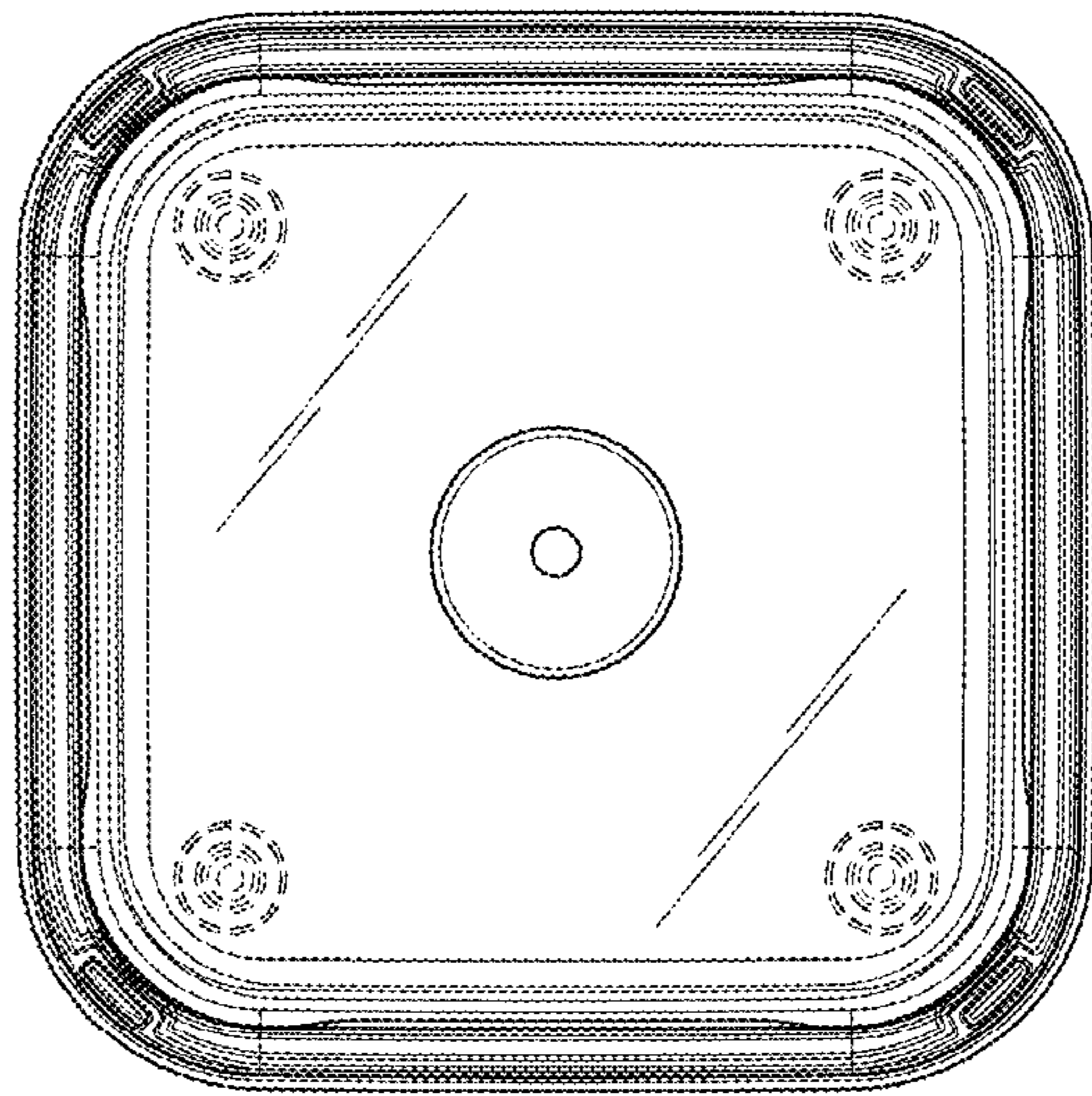


FIG. 35