

US00D876175S

(12) **United States Design Patent** (10) **Patent No.:** **US D876,175 S**  
**Barrett et al.** (45) **Date of Patent:** **\*\* Feb. 25, 2020**

(54) **COMBINED CONTAINER AND LID**

FOREIGN PATENT DOCUMENTS

(71) Applicant: **S. C. JOHNSON & SON, INC.**,  
Racine, WI (US)

AU 349185 S 6/2013  
AU 349186 S 6/2013

(Continued)

(72) Inventors: **Elizabeth M. Barrett**, Newburgh, IN  
(US); **David P. Mather**, South  
Milwaukee, WI (US)

OTHER PUBLICATIONS

(73) Assignee: **S. C. Johnson & Son, Inc.**, Racine, WI  
(US)

My Horse Forum. Pre-bagging powdered supplements to feed . . .  
any tricks?; Post by: "froglander" on Jul. 17, 2018. <http://myhorseforum.com/threads/pre-bagging-powdered-supplements-to-feed-any-tricks.582835/> (Year: 2018).\*

(\*\*) Term: **15 Years**

(Continued)

(21) Appl. No.: **29/622,137**

*Primary Examiner* — Darcey E Gottschalk

(22) Filed: **Oct. 13, 2017**

(57) **CLAIM**

(51) **LOC (12) Cl.** ..... **07-07**

The ornamental design for a combined container and lid, as shown and described.

(52) **U.S. Cl.**

USPC ..... **D7/629**; D9/428; D9/435

(58) **Field of Classification Search**

USPC ..... D7/392, 392.1, 396.2, 397, 398, 619.1,  
D7/620, 629; D9/434–436, 454, 499,  
D9/516, 715–719, 416, 417, 420,  
D9/425–429, 430, 432, 761; D23/260,  
D23/269, 390

CPC ..... B65D 1/0246; B65D 1/0223; B65D  
41/0471; B65D 47/0804; B65D 55/02

See application file for complete search history.

**DESCRIPTION**

FIG. 1 is a top, front, and left side isometric view of a combined container and lid;  
FIG. 2 is a front elevational view of the combined container and lid of FIG. 1;  
FIG. 3 is a rear elevational view of the combined container and lid of FIG. 1;  
FIG. 4 is a right side elevational view of the combined container and lid of FIG. 1;  
FIG. 5 is a left side elevational view of the combined container and lid of FIG. 1; and,  
FIG. 6 is a top plan view of the combined container and lid of FIG. 1.

The dash-dash-dash broken lines are for the purpose of illustrating environmental structure and form no part of the claimed design. The dot-dash-dot broken lines immediately adjacent to the claimed areas in the views represent the boundaries of the design and form no part of the claimed design.

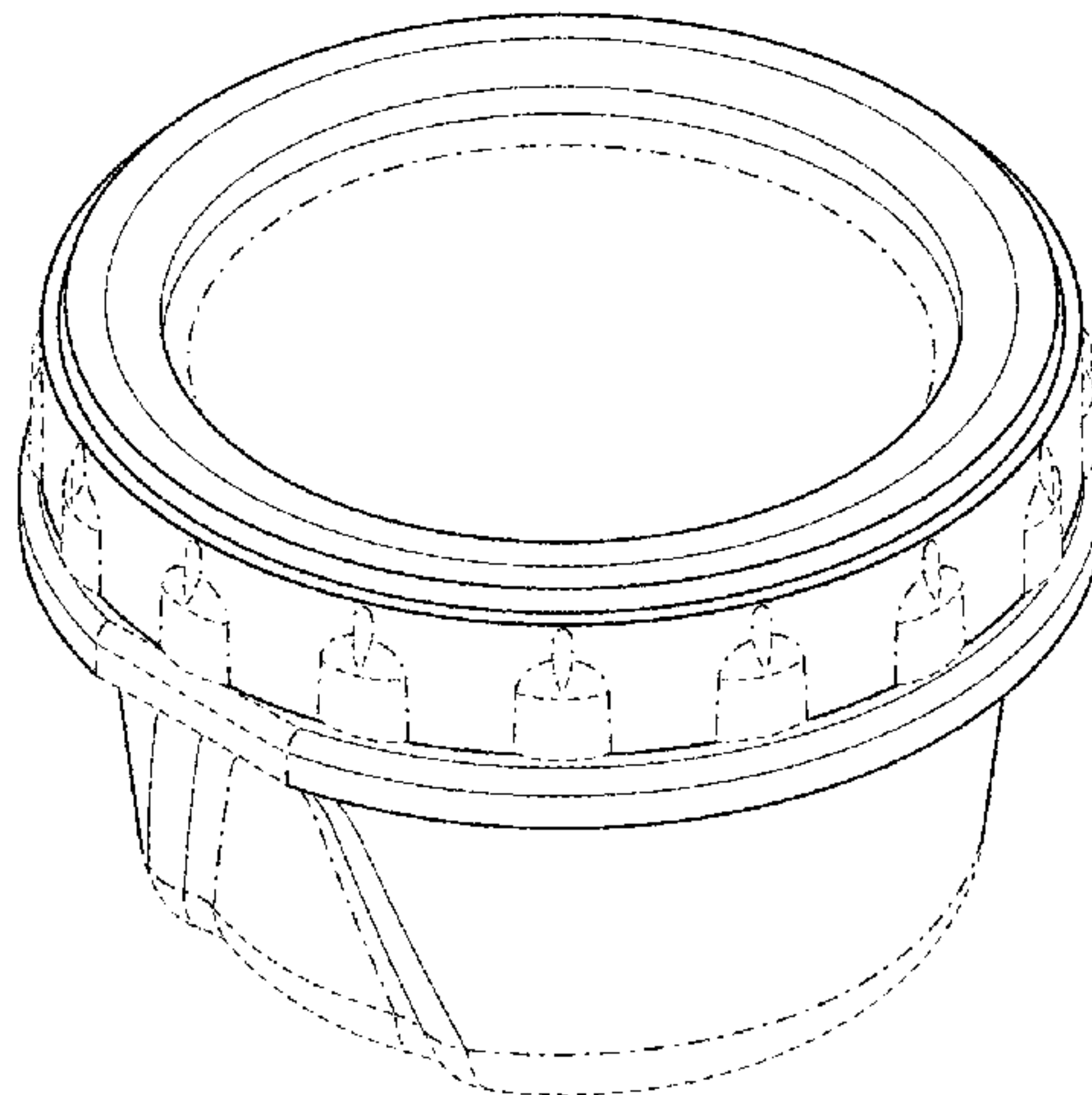
(56) **References Cited**

U.S. PATENT DOCUMENTS

1,577,020 A	3/1926	Hammer
1,776,813 A	9/1930	Luchs
3,529,744 A	9/1970	Johnson et al.
3,721,361 A	3/1973	Barry et al.
4,098,419 A	7/1978	Virog, Jr. et al.
4,106,660 A	8/1978	Boyle
4,399,926 A	8/1983	Eidels-Dubovoy
4,413,743 A	11/1983	Summers
4,609,114 A	9/1986	Roy

(Continued)

**1 Claim, 4 Drawing Sheets**



(56)

References Cited

U.S. PATENT DOCUMENTS

4,620,640 A 11/1986 Swartzbaugh  
 4,756,435 A 7/1988 Schick et al.  
 5,197,619 A 3/1993 Margaria  
 5,542,532 A 8/1996 Mitchell  
 5,628,417 A 5/1997 Van Halteren  
 5,685,443 A 11/1997 Taber et al.  
 5,954,215 A 9/1999 Alter  
 D433,275 S 11/2000 Betras  
 D434,660 S \* 12/2000 Conti ..... D7/391  
 6,158,603 A 12/2000 Price et al.  
 D452,155 S \* 12/2001 Stodd ..... D9/434  
 6,345,741 B1 2/2002 Murray et al.  
 6,401,952 B1 6/2002 Ming  
 D474,110 S \* 5/2003 Sweeney ..... D9/425  
 D474,111 S \* 5/2003 Lazaris ..... D9/425  
 6,557,714 B2 5/2003 Babcock et al.  
 6,786,179 B2 9/2004 Ver Hage  
 D499,934 S 12/2004 Smith et al.  
 D499,935 S 12/2004 Smith et al.  
 D506,359 S 6/2005 Zettle et al.  
 D508,187 S 8/2005 Dais et al.  
 D508,188 S 8/2005 Zettle et al.  
 6,932,234 B2 8/2005 D'Amato  
 D514,385 S 2/2006 Smith et al.  
 D514,884 S 2/2006 Smith et al.  
 D515,353 S \* 2/2006 Martin ..... D7/392.1  
 7,040,509 B2 5/2006 McLelland et al.  
 D526,564 S \* 8/2006 Slavin ..... D9/454  
 D528,863 S 9/2006 Hayes et al.  
 7,156,264 B2 1/2007 Ver Hage  
 7,175,051 B2 2/2007 McLelland et al.  
 D545,618 S 7/2007 Zettle et al.  
 7,347,343 B2 3/2008 McLelland et al.  
 7,624,701 B2 12/2009 Ver Hage  
 D611,343 S 3/2010 Miller  
 D620,791 S 8/2010 Grajcar et al.  
 D627,596 S 11/2010 Hillebrenner et al.  
 D627,636 S \* 11/2010 Fang ..... D9/429  
 D632,171 S 2/2011 Grajcar et al.  
 7,886,899 B2 2/2011 Frutin  
 7,891,509 B2 2/2011 Konefal  
 D643,285 S \* 8/2011 Zomorodi ..... D9/429  
 8,091,724 B2 1/2012 King  
 D670,166 S 11/2012 Lavender  
 8,317,053 B2 11/2012 Cronin et al.  
 8,448,800 B2 5/2013 Konrad  
 D686,043 S 7/2013 Del Solar et al.  
 D686,044 S 7/2013 Del Solar et al.  
 D697,180 S \* 1/2014 van de Klippe ..... D23/269  
 D697,366 S 1/2014 Kristinik  
 D712,740 S 9/2014 Antal et al.  
 D733,497 S 7/2015 Sorensen et al.  
 D739,233 S 9/2015 Antal, Sr. et al.  
 D739,234 S 9/2015 Antal, Sr. et al.  
 9,156,719 B2 10/2015 Perrone et al.  
 D744,335 S \* 12/2015 Rigollet ..... D9/436

9,238,341 B2 1/2016 Tsuchiya  
 D752,978 S \* 4/2016 Zabeleta ..... D9/454  
 D753,482 S 4/2016 Serrano et al.  
 9,440,761 B2 9/2016 Villaret De Chauvigny et al.  
 D774,392 S 12/2016 Broad  
 D777,028 S \* 1/2017 Chen ..... D9/420  
 D779,332 S 2/2017 Zuzelski et al.  
 D779,333 S 2/2017 Zuzelski et al.  
 D780,584 S \* 3/2017 Lang ..... D9/516  
 D789,797 S 6/2017 Haddad  
 D789,798 S 6/2017 Haddad  
 9,745,114 B2 8/2017 Dai  
 D814,294 S \* 4/2018 White ..... D9/428  
 D828,088 S \* 9/2018 Fumeaux ..... D7/396.2  
 D836,387 S \* 12/2018 Silsby ..... D7/392.1  
 D852,589 S \* 7/2019 Bertsch ..... D7/629  
 2005/0224506 A1 10/2005 Withers  
 2007/0051733 A1 3/2007 Franzen  
 2009/0095754 A1 4/2009 Liu  
 2014/0326628 A1 11/2014 Fox et al.  
 2015/0272359 A1 10/2015 Oakes  
 2016/0096309 A1 4/2016 Tsuchiya  
 2017/0050774 A1 2/2017 Giraud et al.  
 2017/0174398 A1 6/2017 Cox

FOREIGN PATENT DOCUMENTS

AU 349187 S 6/2013  
 CA 113934 S 11/2006  
 CA 151100 S 7/2014  
 CN 301391623 S 11/2010  
 CN 301437000 S 1/2011  
 EM 001103709-0004 3/2009  
 EM 001673401-0001 2/2010  
 EM 001673401-0002 2/2010  
 EM 001734120-0001 7/2010  
 EM 002254748-0001 6/2013  
 EM 002254748-0002 6/2013  
 EM 002254748-0003 6/2013  
 EM 003407022-0003 10/2016  
 EM 003932516-0004 5/2017  
 EM 004068070-0002 6/2017  
 WO D040115-001 5/1997  
 WO 2015121262 A1 8/2015  
 WO 2016016207 A1 2/2016  
 WO 2016038568 A1 3/2016  
 WO 2017031139 A1 2/2017

OTHER PUBLICATIONS

Picclick. Ziploc Twist N Loc Clear and rOund Plastic Containers Pint or Quart Lock Storage. Sold by "brokerrus" on Sep. 18, 2017. <https://picclick.com/ZIPLoc-Twist-N-Loc-Clear-and-rOund-Plastic-141002193191.html> (Year: 2017).  
 "Ziploc," URL: <https://ziploc.com/en/products/containers/round/containers-twist-loc-small>, Accessed/Published Date: Aug. 10, 2017, 2 pages.

\* cited by examiner

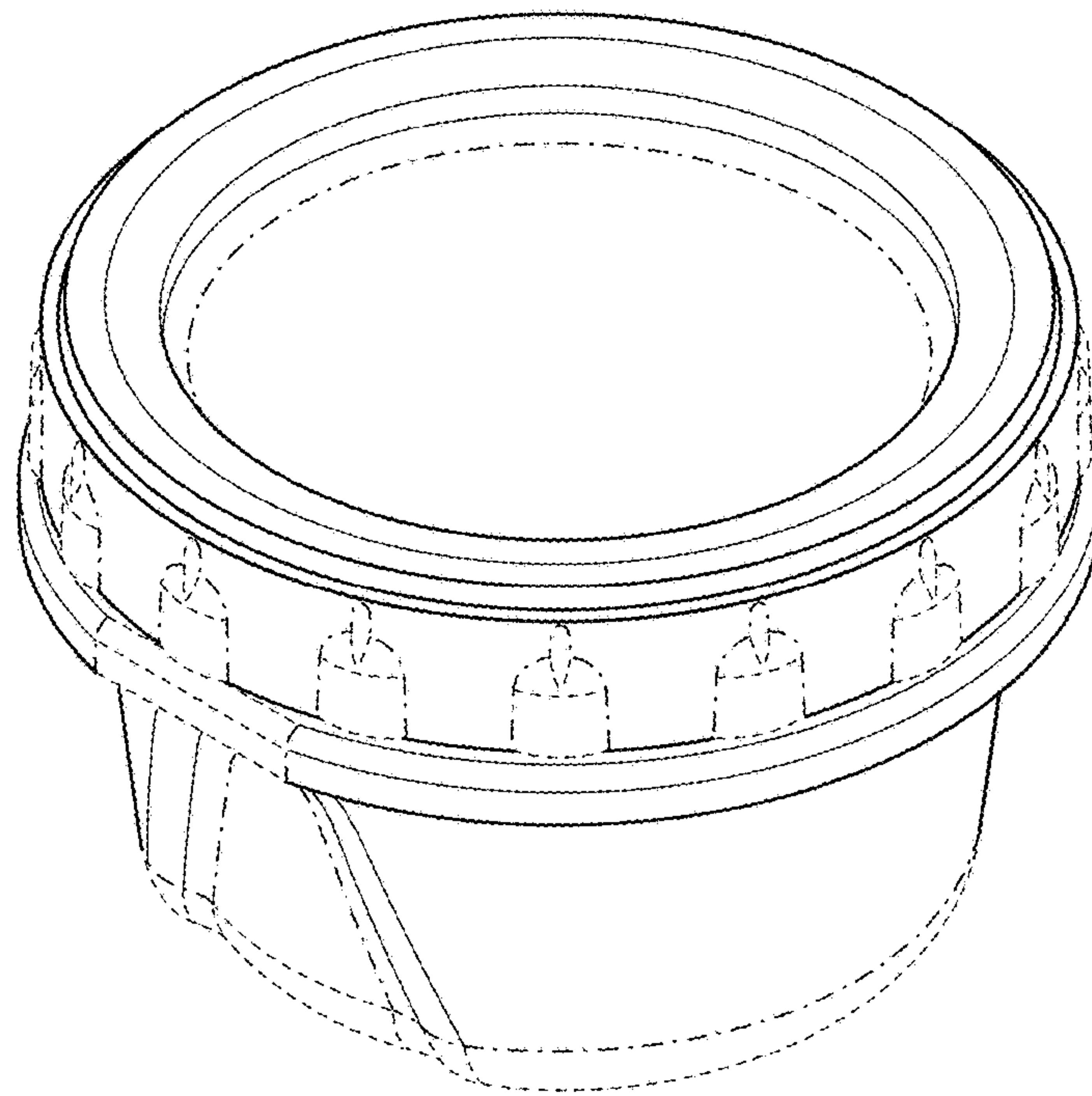


FIG. 1



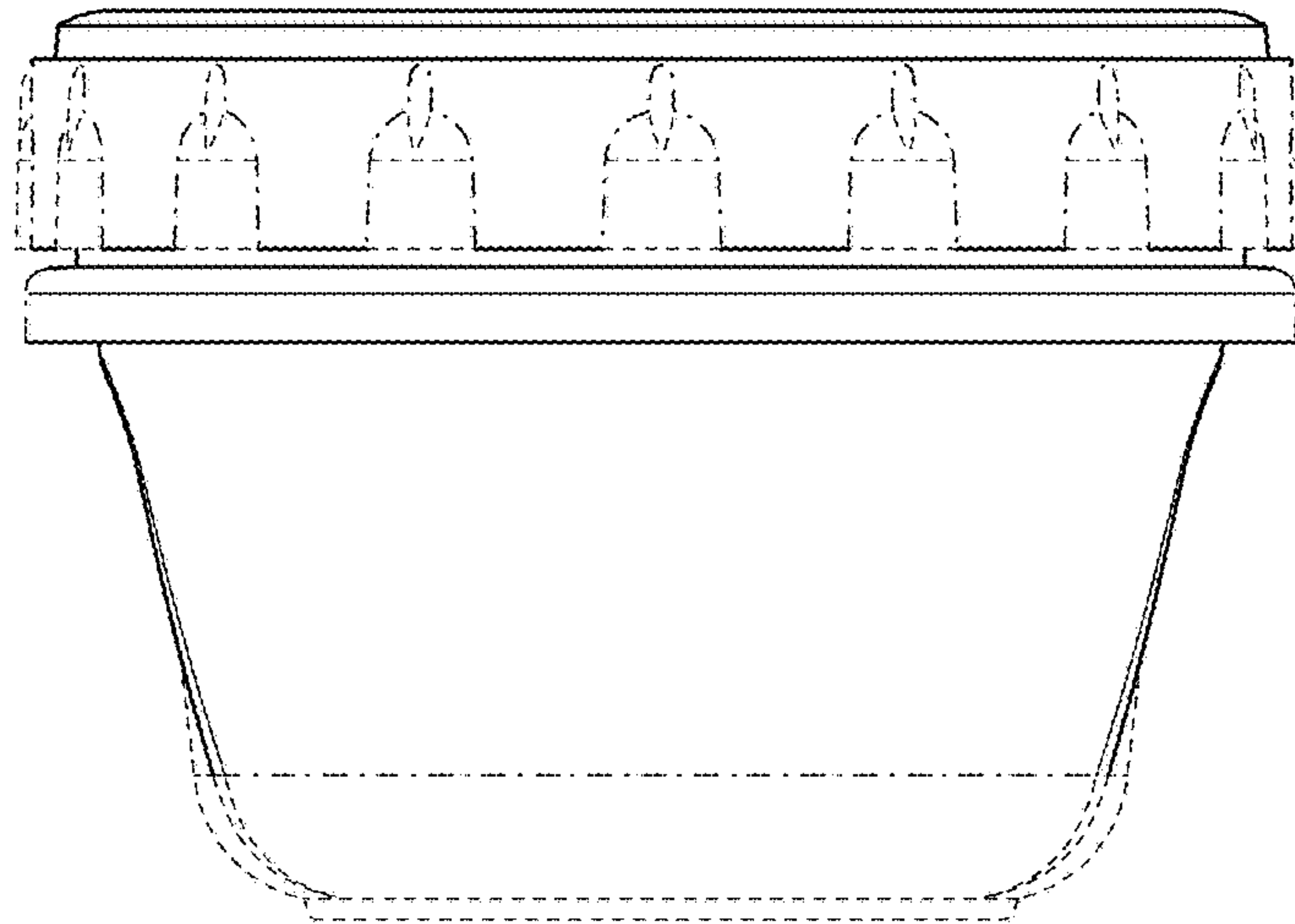


FIG. 2

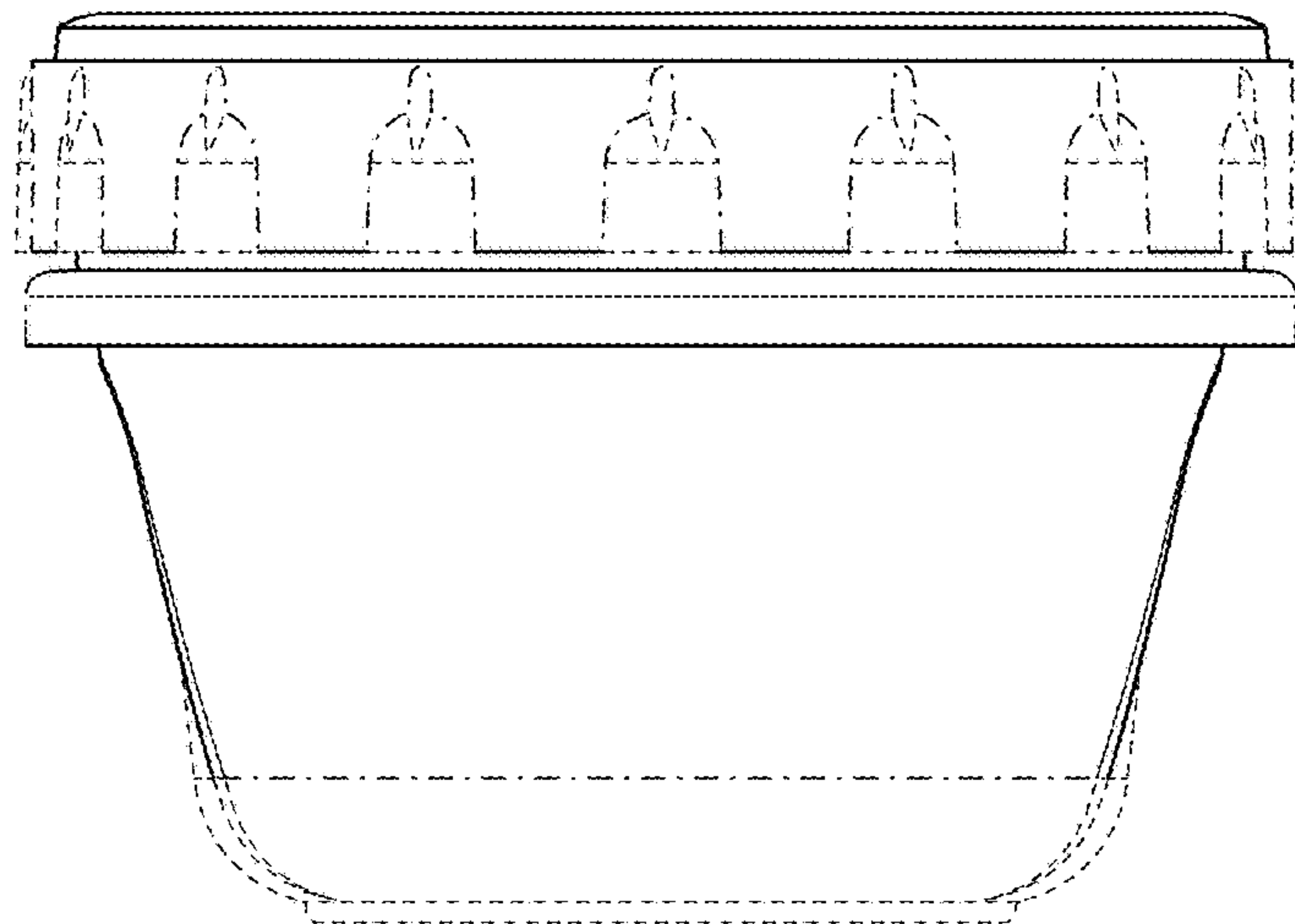


FIG. 3

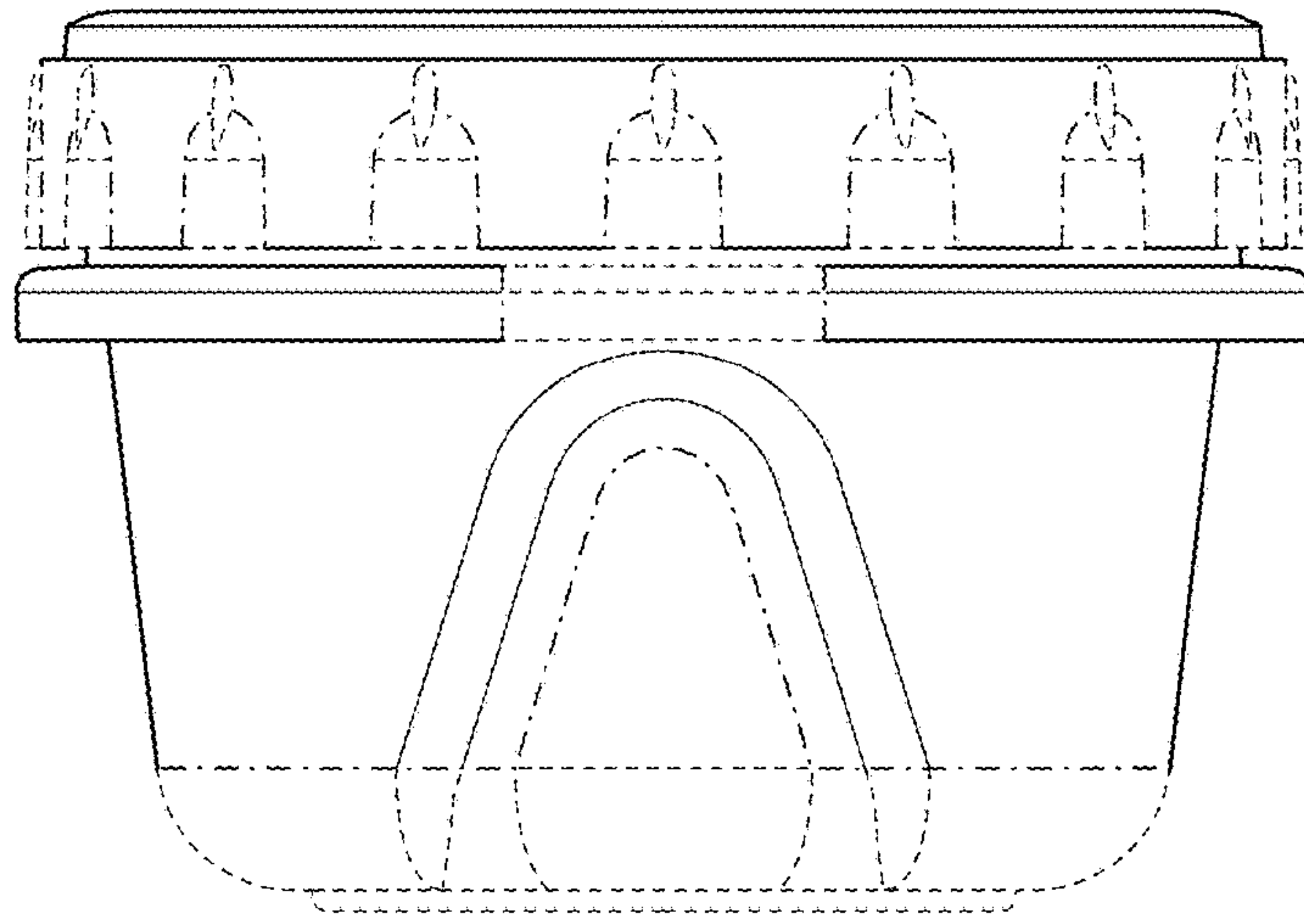


FIG. 4

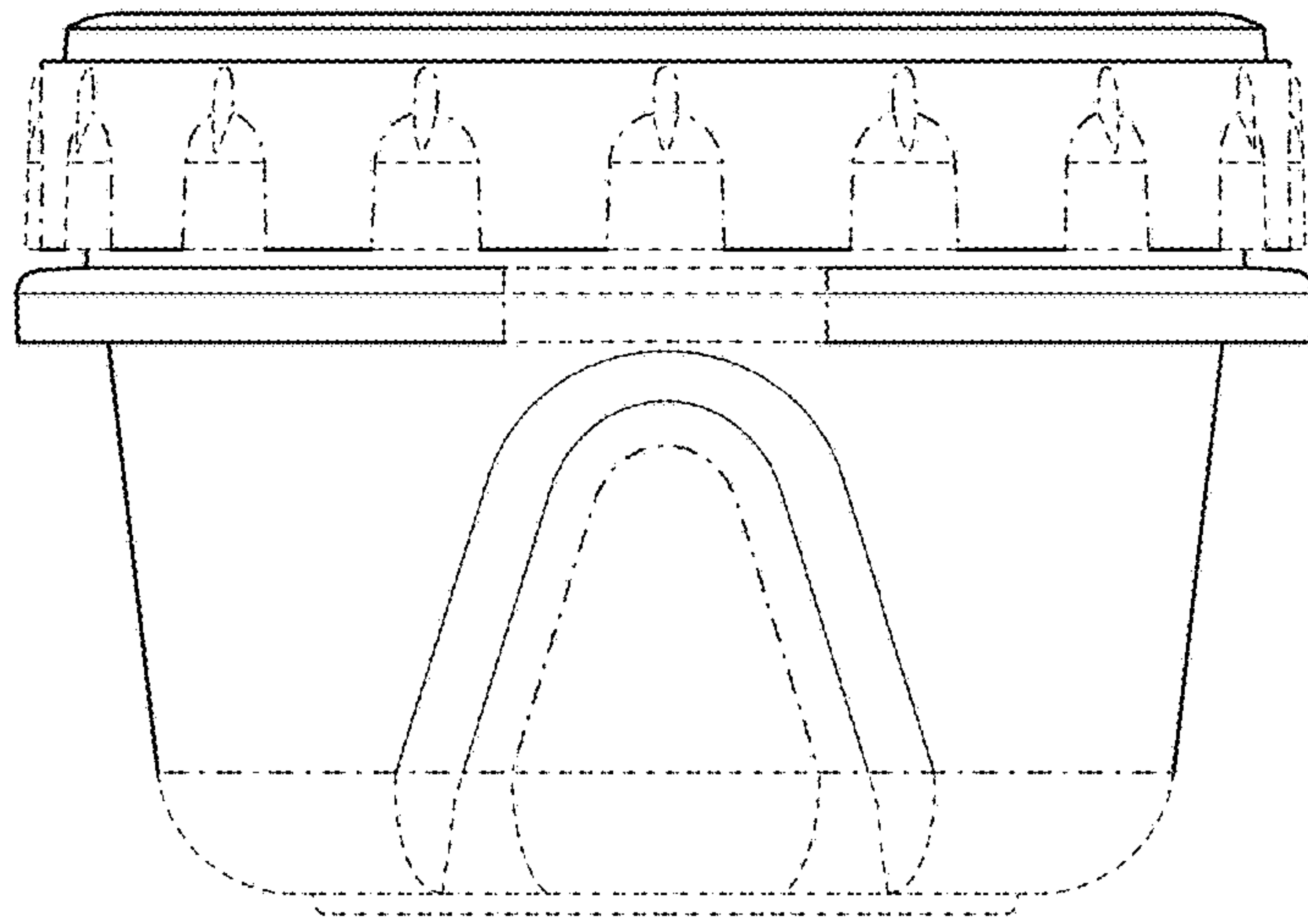


FIG. 5

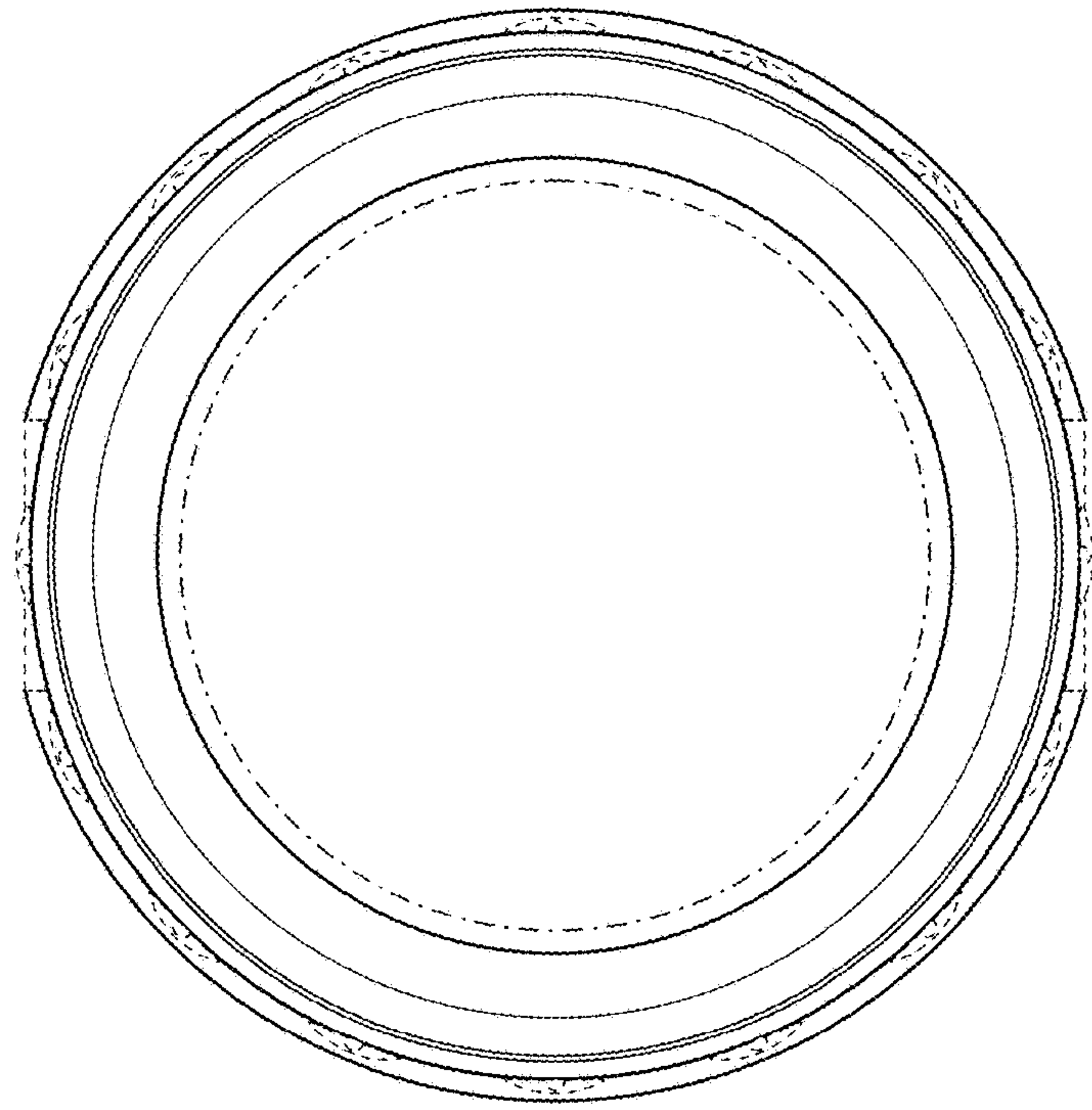


FIG. 6