

US00D876172S

(12) **United States Design Patent** (10) **Patent No.:** **US D876,172 S**
Finell et al. (45) **Date of Patent:** **** Feb. 25, 2020**

(54) **REUSABLE SEALABLE BOWL**

FOREIGN PATENT DOCUMENTS

(71) Applicant: **ZIP TOP, LLC**, Austin, TX (US)
(72) Inventors: **Rebecca M. Finell**, Austin, TX (US);
Joshua J. Nelson, Mesa, AZ (US)

JP D140735 S 11/2010
JP 1454613 S 11/2012
WO 2016/140746 A1 9/1916 G01F 19/00

(73) Assignee: **ZIP TOP, LLC**, Austin, TX (US)

OTHER PUBLICATIONS

(**) Term: **15 Years**

Partial European Search Report, Application No. 18159842.6, 9 pages, dated June 29, 2018.

(21) Appl. No.: **29/699,904**

(Continued)

(22) Filed: **Jul. 30, 2019**

Primary Examiner — Cynthia R Underwood
(74) *Attorney, Agent, or Firm* — Slayden Grubert Beard PLLC

Related U.S. Application Data

(63) Continuation-in-part of application No. 29/618,115, filed on Sep. 19, 2017.

(51) **LOC (12) Cl.** **07-07**

(52) **U.S. Cl.**
USPC **D7/602**

(58) **Field of Classification Search**
USPC D7/601, 602; D9/430; 426/85
CPC A47G 19/02; A47G 19/025
See application file for complete search history.

CLAIM

(57) The ornamental design for a reusable sealable bowl, as shown and described.

DESCRIPTION

FIG. 1 illustrates a perspective top/front view of a reusable sealable bowl, showing the new, original and ornamental design, wherein the bowl is open and unsealed.
FIG. 2 illustrates a perspective bottom/front view of the reusable sealable bowl, shown in FIG. 1.
FIG. 3 shows a front view of the reusable sealable bowl shown in FIGS. 1-2.
FIG. 4 shows a back view of the reusable sealable bowl shown in FIGS. 1-3.
FIG. 5 shows a left side view of the reusable sealable bowl shown in FIGS. 1-4.
FIG. 6 illustrates a right side view of the reusable sealable bowl shown in FIGS. 1-5.
FIG. 7 shows a top view of the reusable sealable bowl shown in FIGS. 1-6.
FIG. 8 shows a bottom view of the reusable sealable bowl shown in FIGS. 1-7; and,
FIG. 9 illustrates a cross-sectional, right side view of the reusable sealable bowl shown in FIGS. 1-5, wherein the cross-section is taken a plane 9-9 (see FIG. 3).

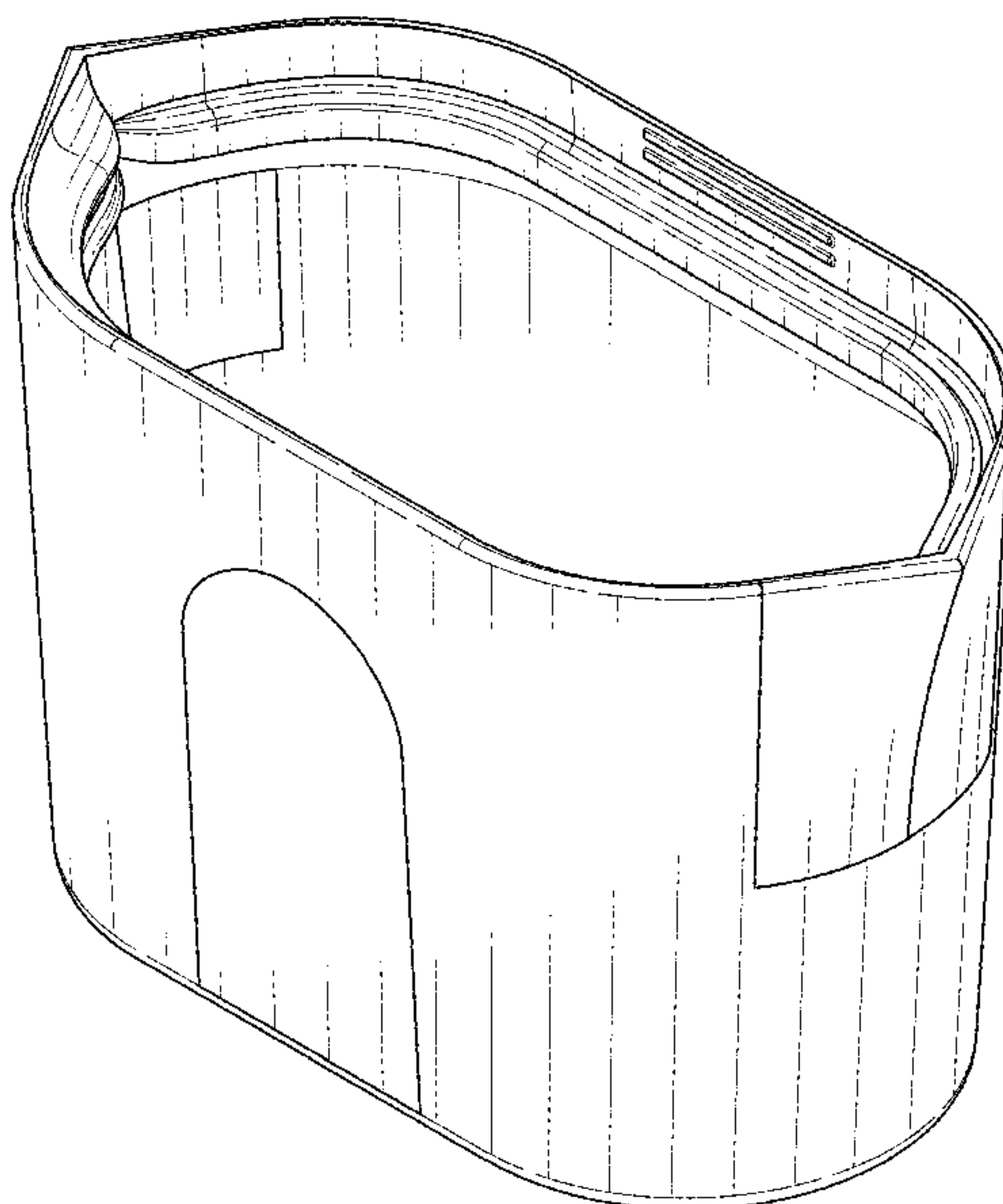
(56) **References Cited**

U.S. PATENT DOCUMENTS

1,002,346 A 9/1911 Weeks 9/400
D77,091 S 11/1916 Nouri et al. D09/709
2,012,113 A 8/1935 Thompson 215/363
2,117,738 A * 5/1938 Otto B65D 35/00
383/209
2,165,277 A 7/1939 Herman 229/405
2,589,967 A 3/1952 Sawyer 215/372
2,861,716 A 11/1958 Kramer 215/228
3,354,601 A 11/1967 Schneider 493/196

(Continued)

1 Claim, 6 Drawing Sheets



(56)

References Cited

U.S. PATENT DOCUMENTS

3,799,914 A * 3/1974 Schmit et al. B65D 75/008
426/85
3,844,525 A 10/1974 Parmett 249/127
D285,515 S 9/1986 Papciak D24/119
4,655,862 A 4/1987 Christoff et al. 156/66
D291,659 S 9/1987 Powell D7/507
5,499,763 A * 3/1996 DeMars A47G 19/02
229/114
D374,204 S 10/1996 Weder D11/143
5,689,866 A 11/1997 Kasai 24/400
5,758,473 A * 6/1998 Patelli B65B 9/20
222/541.6
D401,141 S 11/1998 Carroll et al. D09/608
D407,970 S 4/1999 Planchard D9/703
D418,368 S 1/2000 Solland D7/510
D418,747 S 1/2000 Sagel D9/707
D419,867 S 2/2000 Hager et al. D09/608
6,050,432 A 4/2000 Koehnke 215/11.3
D423,877 S 5/2000 Kerr D07/509
6,164,488 A 12/2000 Solland 220/717
6,176,420 B1 1/2001 Sarson 229/128
6,197,359 B1 3/2001 Llorente 426/523
6,245,367 B1 * 6/2001 Galomb B65D 51/247
206/541
D456,211 S 4/2002 Price D7/509
D457,318 S 5/2002 Borland et al. D03/303
D464,258 S * 10/2002 Edwards D9/708
D470,361 S 2/2003 Trombly D7/509
D470,755 S 2/2003 Espinel D9/707
D482,614 S * 11/2003 Countee, Jr. D7/705
D495,209 S 8/2004 Tranfaglia D7/509
D502,364 S 3/2005 Chan D7/509
7,029,178 B2 4/2006 Gzybowski 383/64
D522,183 S 5/2006 Wylie D30/118
7,160,029 B2 1/2007 Bein et al. 383/67
D541,171 S * 4/2007 Delmotte D9/709
D553,442 S 10/2007 Bodum D7/509
D554,432 S 11/2007 Roth et al. D07/516
D567,592 S * 4/2008 Fite, IV D7/566
D580,779 S * 11/2008 Hartwell D9/705
D582,790 S 12/2008 Friebe D9/707
D586,232 S 2/2009 Friebe D9/707
7,524,111 B1 4/2009 Williams 220/23.87
D600,072 S 9/2009 Hayes D7/509
D605,895 S 12/2009 Abbott D7/509
D609,581 S 2/2010 Doyal D09/703
D616,760 S 6/2010 Deuerer D09/611
D618,302 S 6/2010 Williams D23/209
D622,109 S 8/2010 Hull et al. D7/630
D657,950 S 4/2012 Herman D3/202
D660,446 S 5/2012 Baltazar D24/208
8,220,651 B2 7/2012 Norcom 220/1.6
D668,118 S * 10/2012 Hayes D7/602
D672,202 S * 12/2012 Craft D7/586
D683,190 S 5/2013 Shields D07/544
D683,592 S 6/2013 Shields D07/544
D684,867 S * 6/2013 English D9/707
D684,868 S * 6/2013 Kessler, Jr. D9/707
D686,508 S 7/2013 Kling D9/703
8,479,972 B2 * 7/2013 Craft B65D 5/029
229/101
D689,370 S * 9/2013 Bower D9/707
8,523,440 B2 9/2013 Walker et al. 383/202
D690,995 S 10/2013 Franco D07/516
D705,654 S 5/2014 Wurth et al. D09/451
8,864,015 B2 10/2014 Lu 229/128
D722,805 S 2/2015 Banos D07/301
D736,099 S 8/2015 Deuerer D09/707
D739,727 S 9/2015 Olson D9/436
D750,334 S 2/2016 Comstock D32/30
D755,017 S * 5/2016 Piechocinski D7/554.2
9,371,153 B1 6/2016 Nouri et al.
D772,493 S 11/2016 Wu D30/129
D772,723 S 11/2016 Murray D9/707

D782,450 S 3/2017 Jones D14/240
D791,609 S 7/2017 Rotman D9/611
9,737,161 B1 8/2017 Li A47G 19/22
9,751,655 B2 9/2017 Herman B65D 5/02
D804,959 S 12/2017 Anda D9/705
D809,875 S 2/2018 Delgado Carmona D7/628
D809,876 S 2/2018 Delgado Carmona D7/628
D811,796 S 3/2018 Joseph D7/325
D812,487 S 3/2018 Soegyanto D9/702
D813,684 S * 3/2018 Williams, Jr. D9/703
D815,365 S 4/2018 Scariot et al. D30/118
D815,544 S 4/2018 Soegyanto D9/702
D817,109 S 5/2018 Kilicarlan D7/611
D826,063 S * 8/2018 Kwon D9/643
D831,432 S 10/2018 Lv D7/606
D851,853 S 6/2019 Khan D99/5
D854,325 S * 7/2019 Myerson D3/304
D856,086 S 8/2019 Goulet D7/519
D858,200 S 9/2019 Wang D7/516
D860,001 S 9/2019 Sahatjian D9/707
2003/0066870 A1 * 4/2003 Stewart B65D 3/14
229/125.09
2005/0194386 A1 9/2005 Shai 220/287
2006/0191929 A1 8/2006 Berg, Jr. et al. 220/6
2006/0191985 A1 8/2006 Norcom 229/117.05
2006/0193541 A1 8/2006 Norcom 383/200
2008/0050053 A1 2/2008 Szczesuil 383/66
2008/0087268 A1 4/2008 Burton 126/9 R
2009/0110335 A1 4/2009 Leboeuf 383/63
2009/0279810 A1 11/2009 Nobles 383/66
2010/0012531 A1 1/2010 Steele 206/216
2010/0072224 A1 3/2010 Ha 222/107
2010/0314434 A1 12/2010 Herman 229/107
2011/0017812 A1 1/2011 Belko et al. 229/117.27
2011/0017814 A1 1/2011 Belko et al. 229/124
2011/0132910 A1 6/2011 Willat 220/495.03
2011/0203944 A1 8/2011 Singer 206/204
2011/0297680 A1 12/2011 Howell et al. 220/266
2012/0060449 A1 3/2012 Howell et al. 53/456
2012/0187182 A1 7/2012 Howell et al. 229/102
2012/0269469 A1 10/2012 Long et al. 383/210.1
2013/0084028 A1 4/2013 Cross 383/33
2013/0105352 A1 5/2013 Munguia 206/524.6
2014/0042217 A1 2/2014 Houck 229/404
2014/0212075 A1 7/2014 Cross 383/64
2014/0226921 A1 8/2014 Albers 383/86.2
2014/0245698 A1 9/2014 Steele 53/410
2014/0270579 A1 9/2014 Noun 383/25
2015/0203250 A1 7/2015 Denis 383/63
2018/0251267 A1 9/2018 Finell B65D 33/2508
2019/0270546 A1 9/2019 Finell

OTHER PUBLICATIONS

Extended European Search Report and Written Opinion, Application No. 18159842.6, 9 pages, dated Oct. 19, 2018.
Chinese Office Action, Application No. 201830099279.2, 1 page, dated Jul. 9, 2018.
Taiwan Office Action, Taiwan Design Application No. 107301543, 4 pages, dated Dec. 18, 2018.
Chinese Office Action, Application No. 201830098713.5, 1 page, dated Jul. 5, 2018.
Chinese Office Action, Application No. 201830098714.X, 1 page, dated Jul. 11, 2018.
Taiwan Office Action, Application No. 107301545, 6 pages, dated Sep. 12, 2018.
Taiwan Office Action, Application No. 107301546, 5 pages, dated Sep. 12, 2018.
Chinese Office Action, Application No. 201830099010.4, 1 page, dated Jul. 11, 2018.
U.S. Non-Final Office Action, U.S. Appl. No. 15/910,757, 18 pages, dated Jun. 14, 2019.
U.S. Non-Final Office Action, U.S. Appl. No. 15/910,757, 21 pages, dated Oct. 2, 2018.
U.S. Final Office Action, U.S. Appl. No. 15/910,757, 17 pages, dated Feb. 21, 2019.

(56)

References Cited

OTHER PUBLICATIONS

U.S. Final Office Action, U.S. Appl. No. 15/910,757, 22 pages, dated Sep. 18, 2019.

U.S. Non-Final Office Action, U.S. Appl. No. 16/154,134, 39 pages, dated Oct. 1, 2019.

U.S. Non-Final Office Action, U.S. Appl. No. 29/699,634, 14 pages, dated Oct. 1, 2019.

U.S. Non-Final Office Action, U.S. Appl. No. 29/699,650, 14 pages, dated Oct. 21, 2019.

U.S. Non-Final Office Action, U.S. Appl. No. 29/699,656, 14 pages, dated Oct. 21, 2019.

U.S. Advisory Action, U.S. Appl. No. 15/910,757, 3 pages, dated Oct. 28, 2019.

U.S. Notice of Allowance, U.S. Appl. No. 29/699,611, 16 pages, dated Oct. 30, 2019.

* cited by examiner

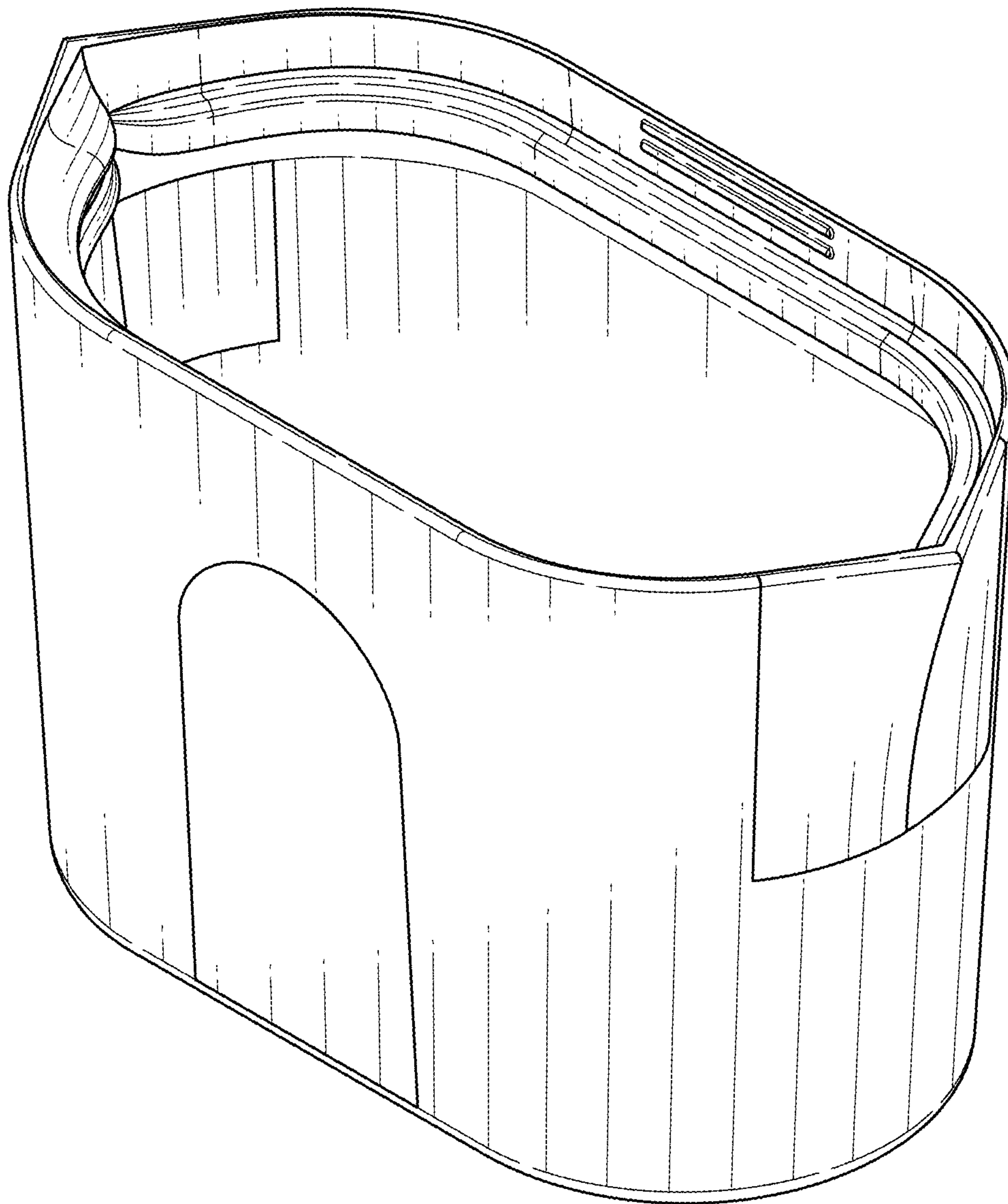


FIG. 1

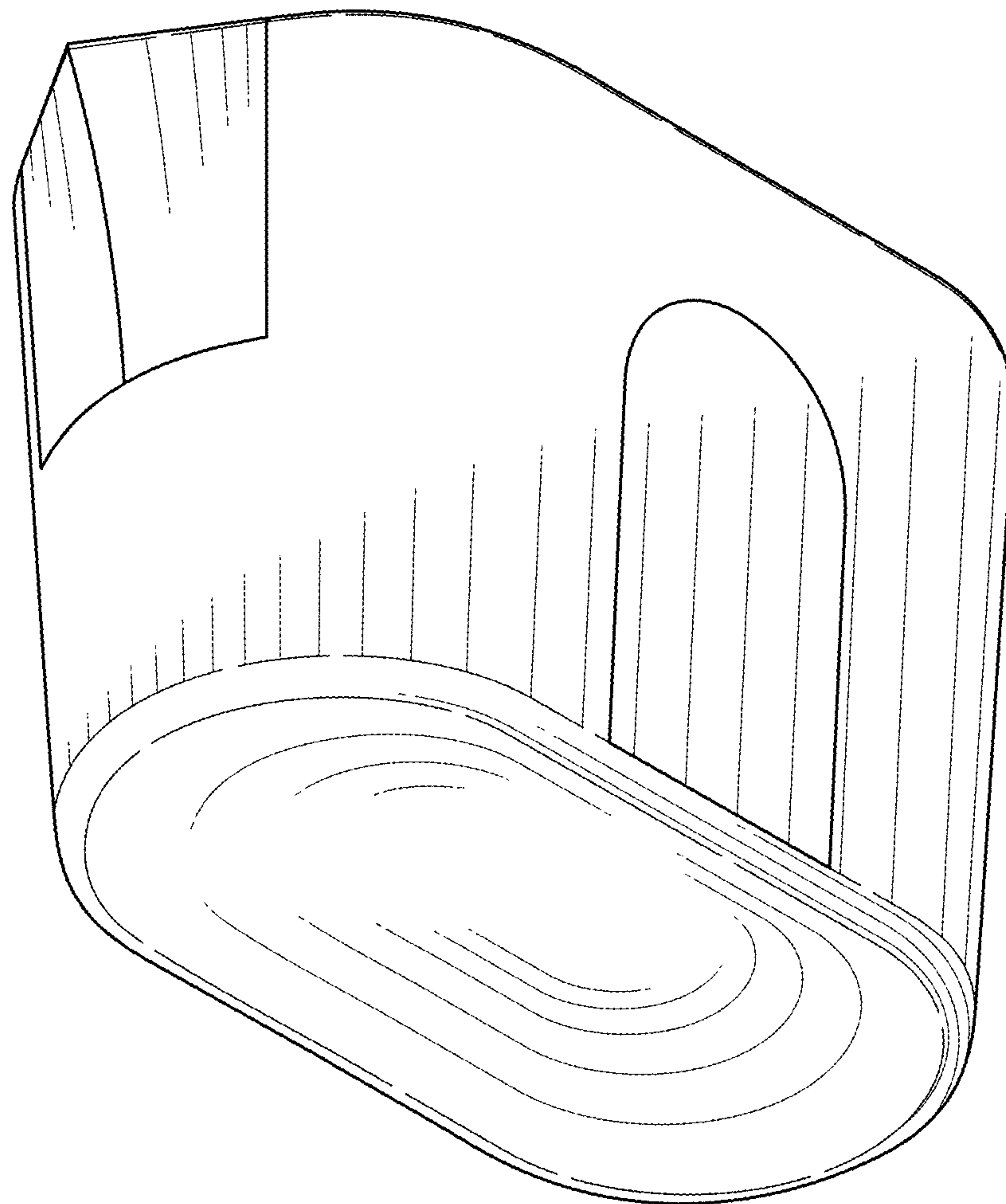


FIG. 2

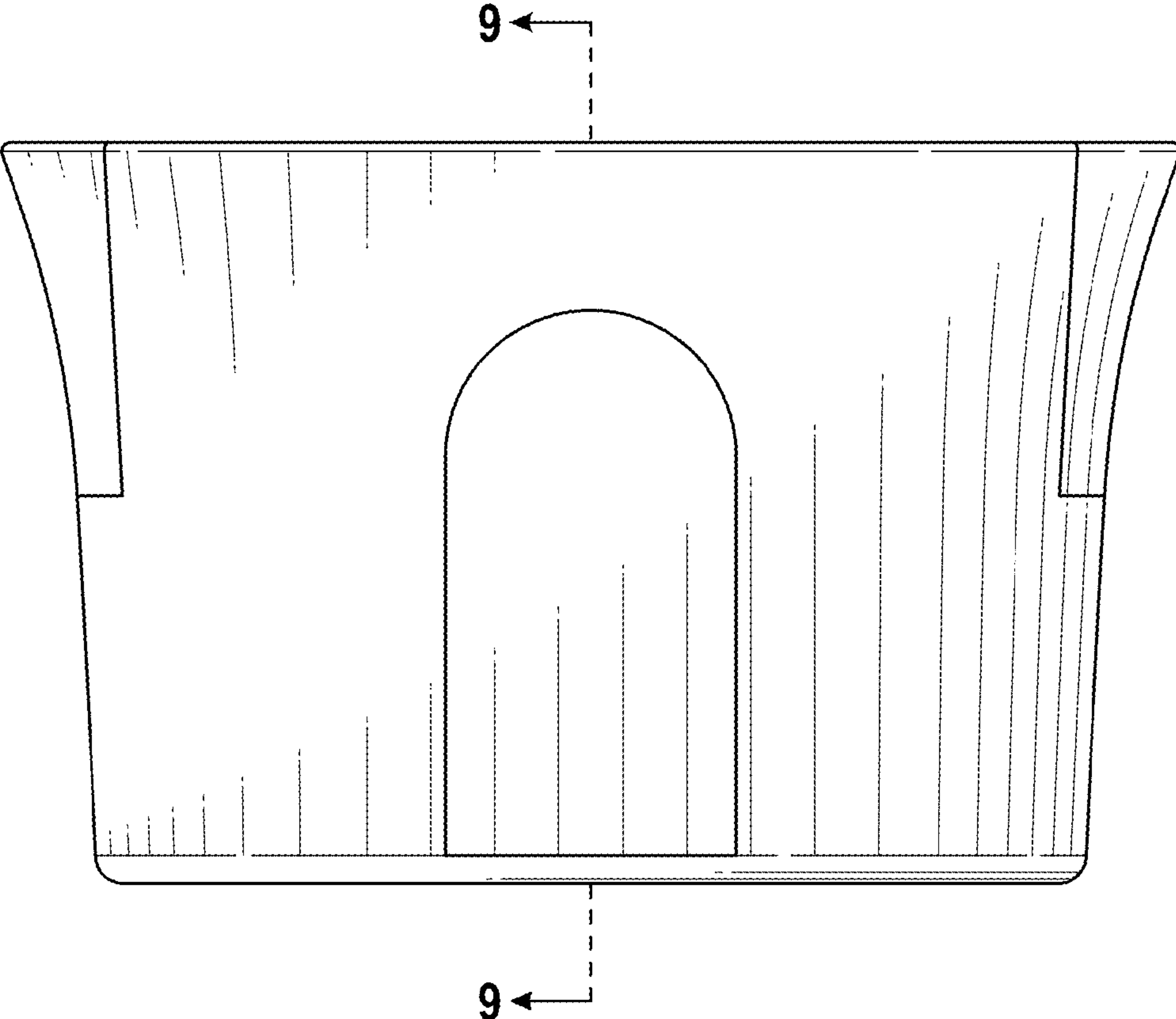


FIG. 3

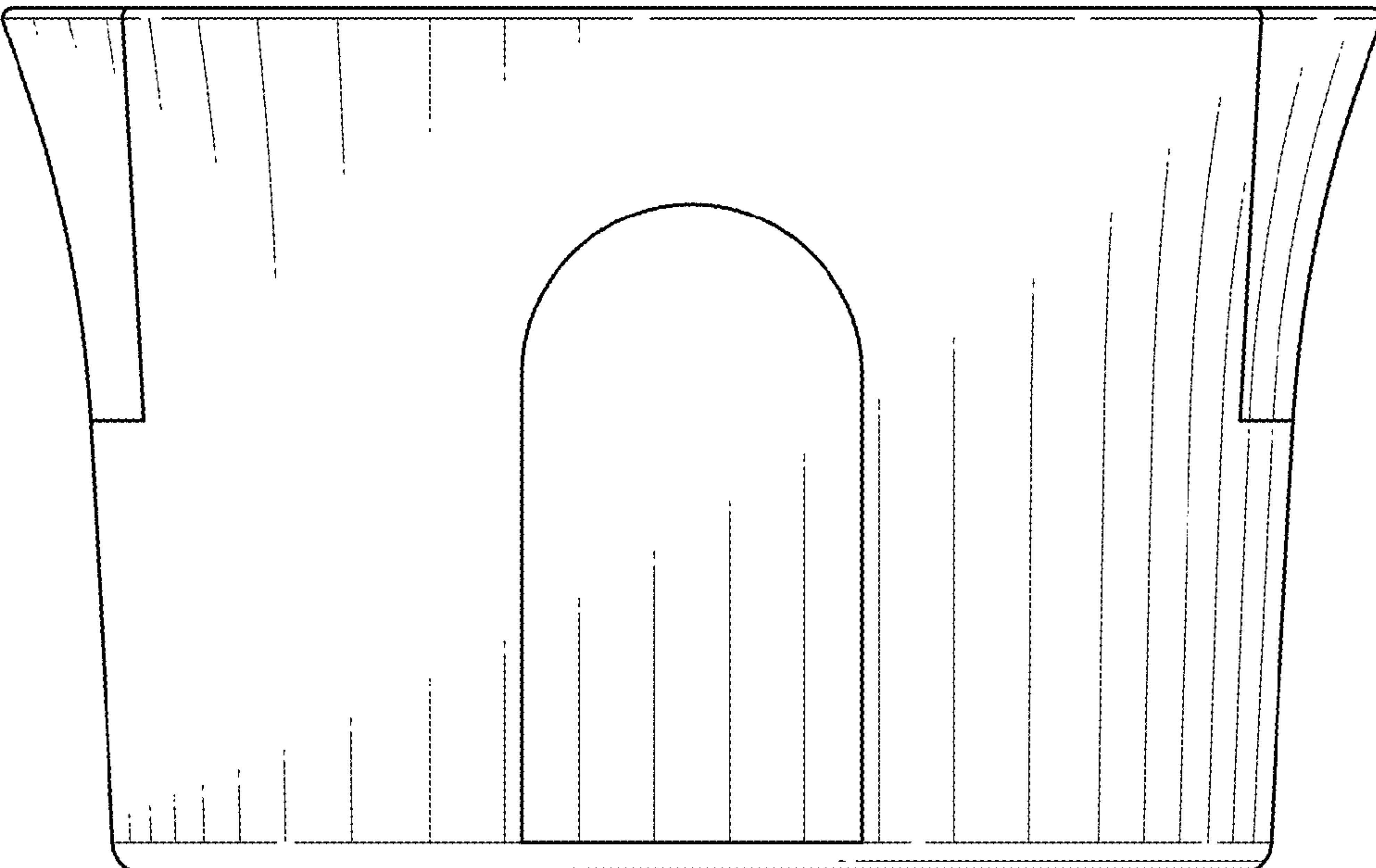


FIG. 4

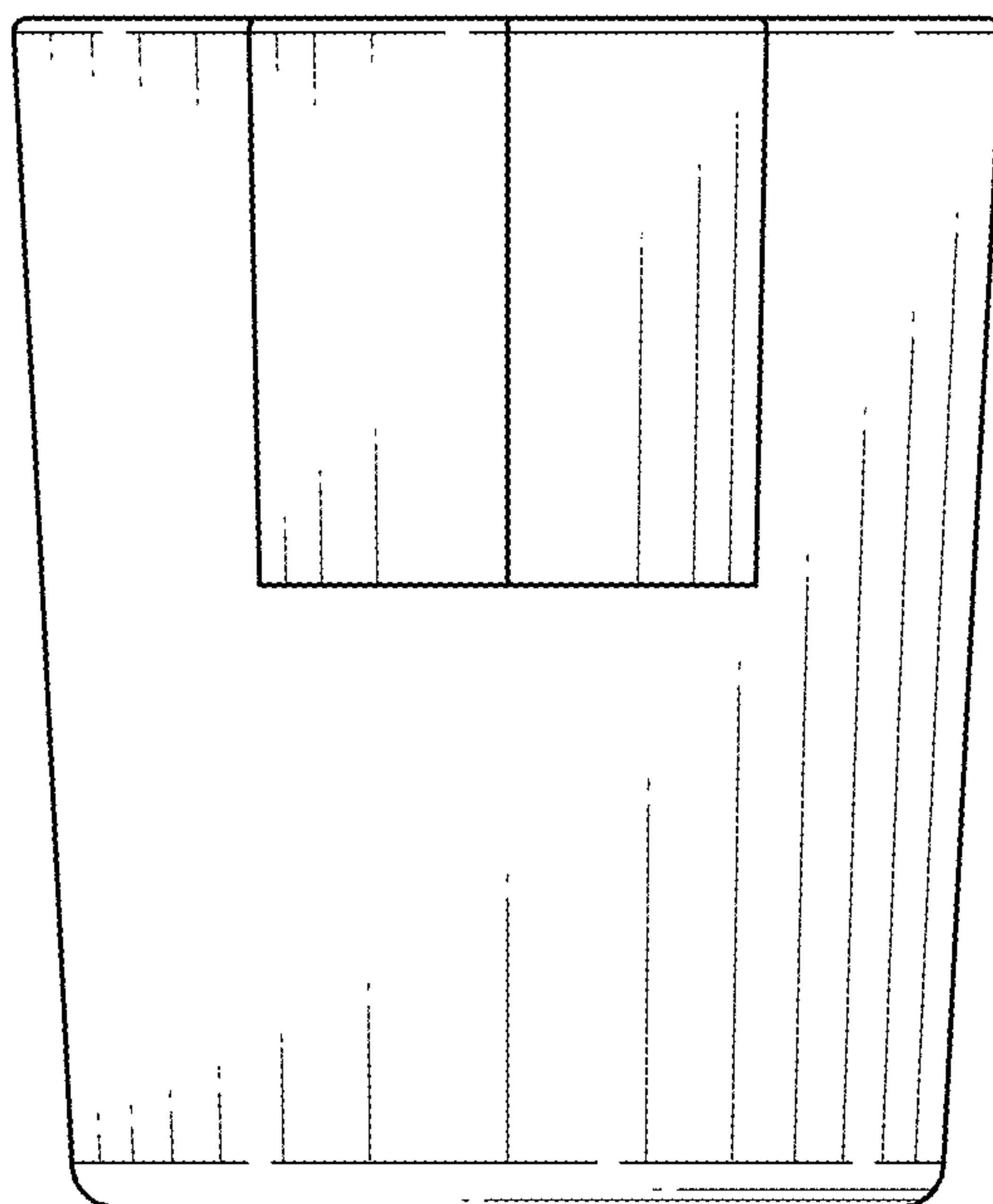


FIG. 5

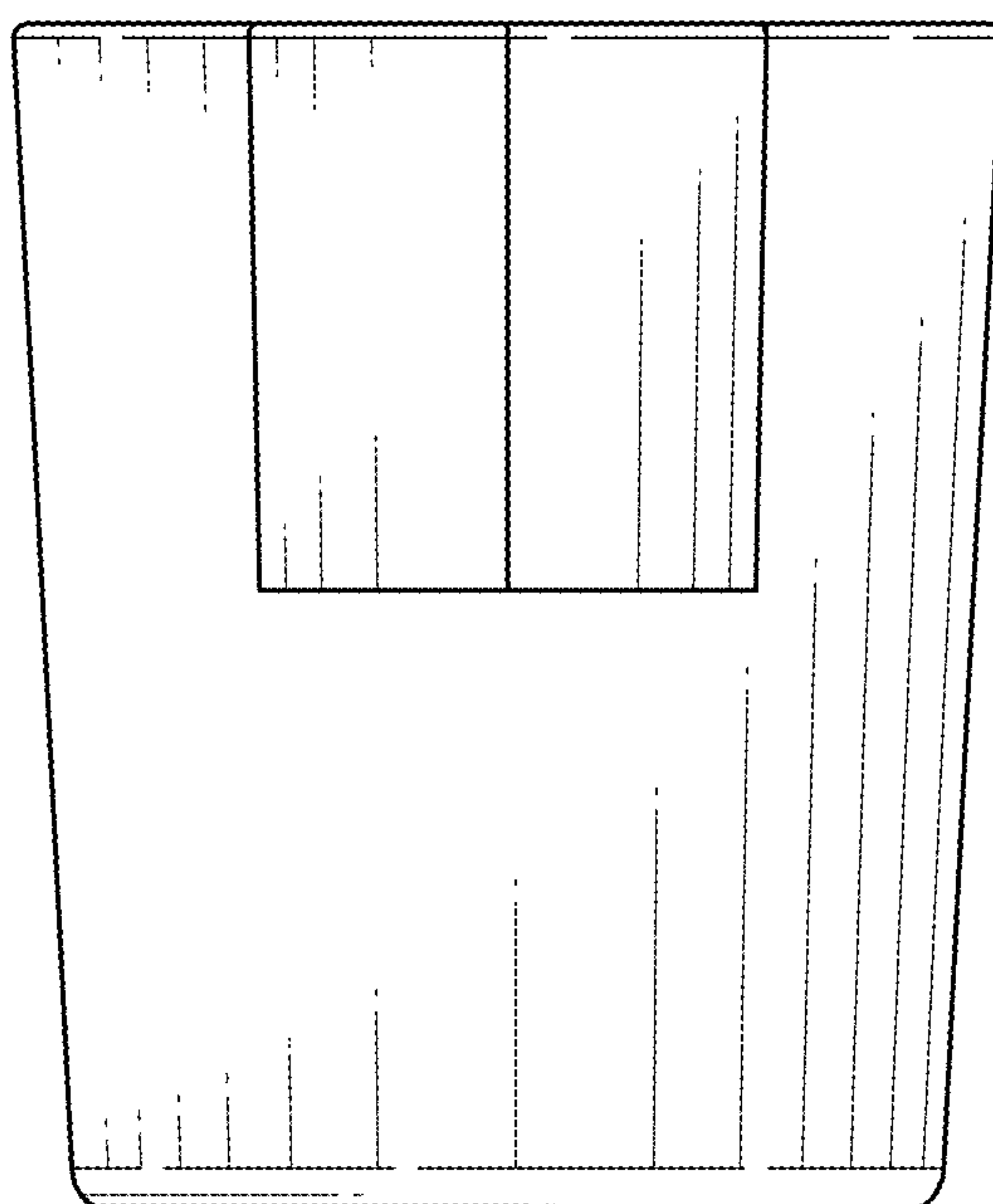


FIG. 6

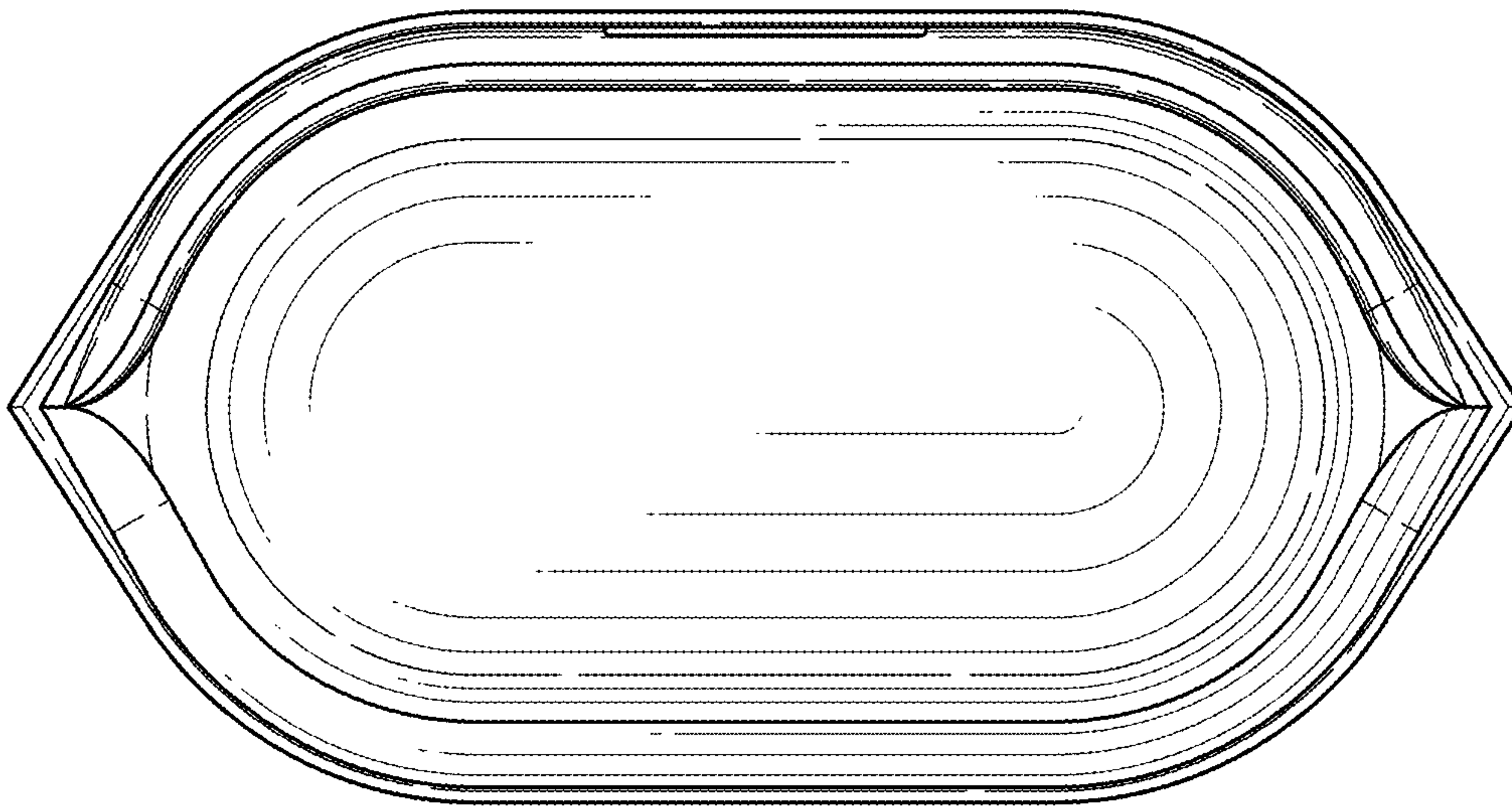


FIG. 7

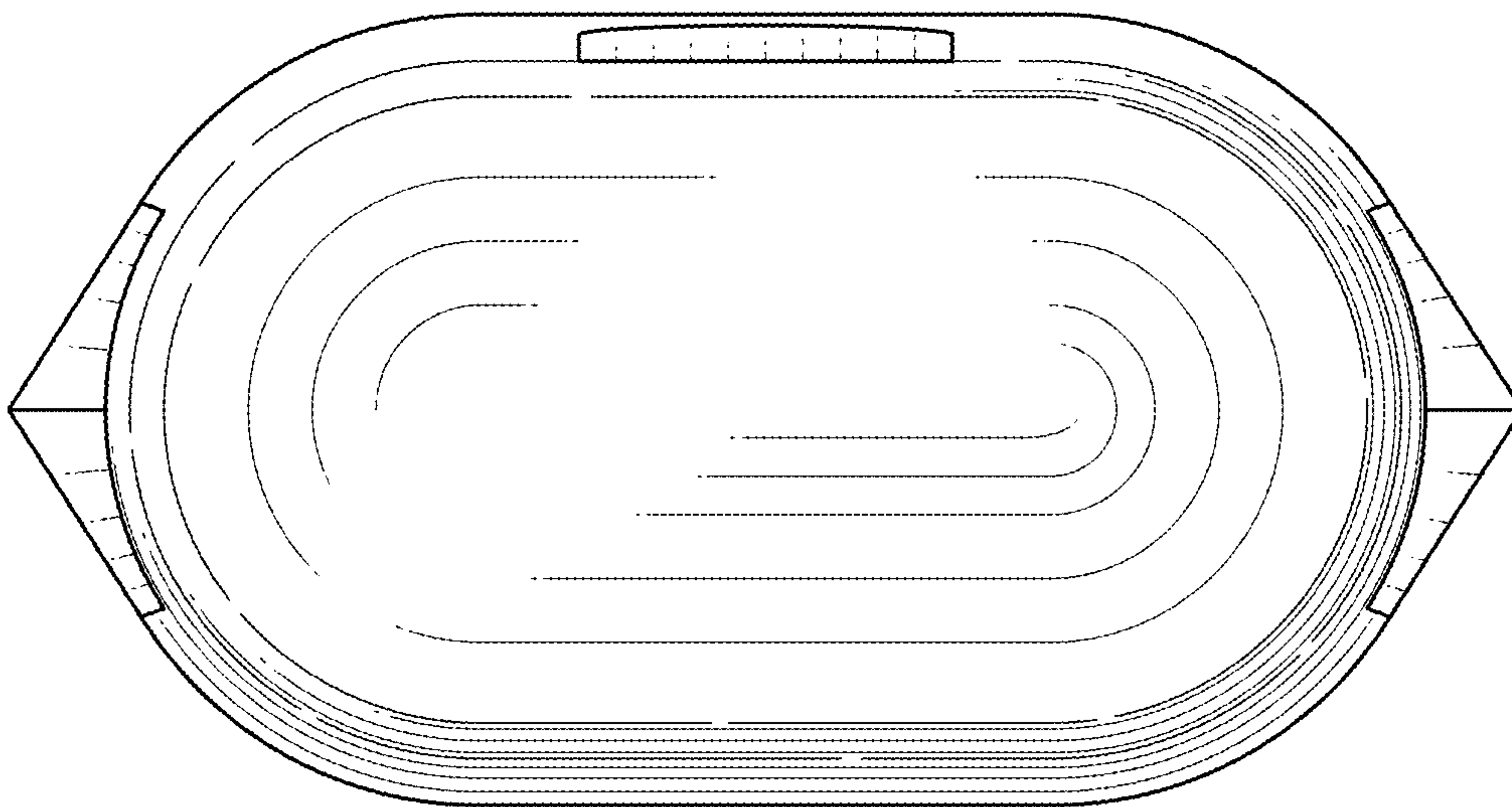


FIG. 8

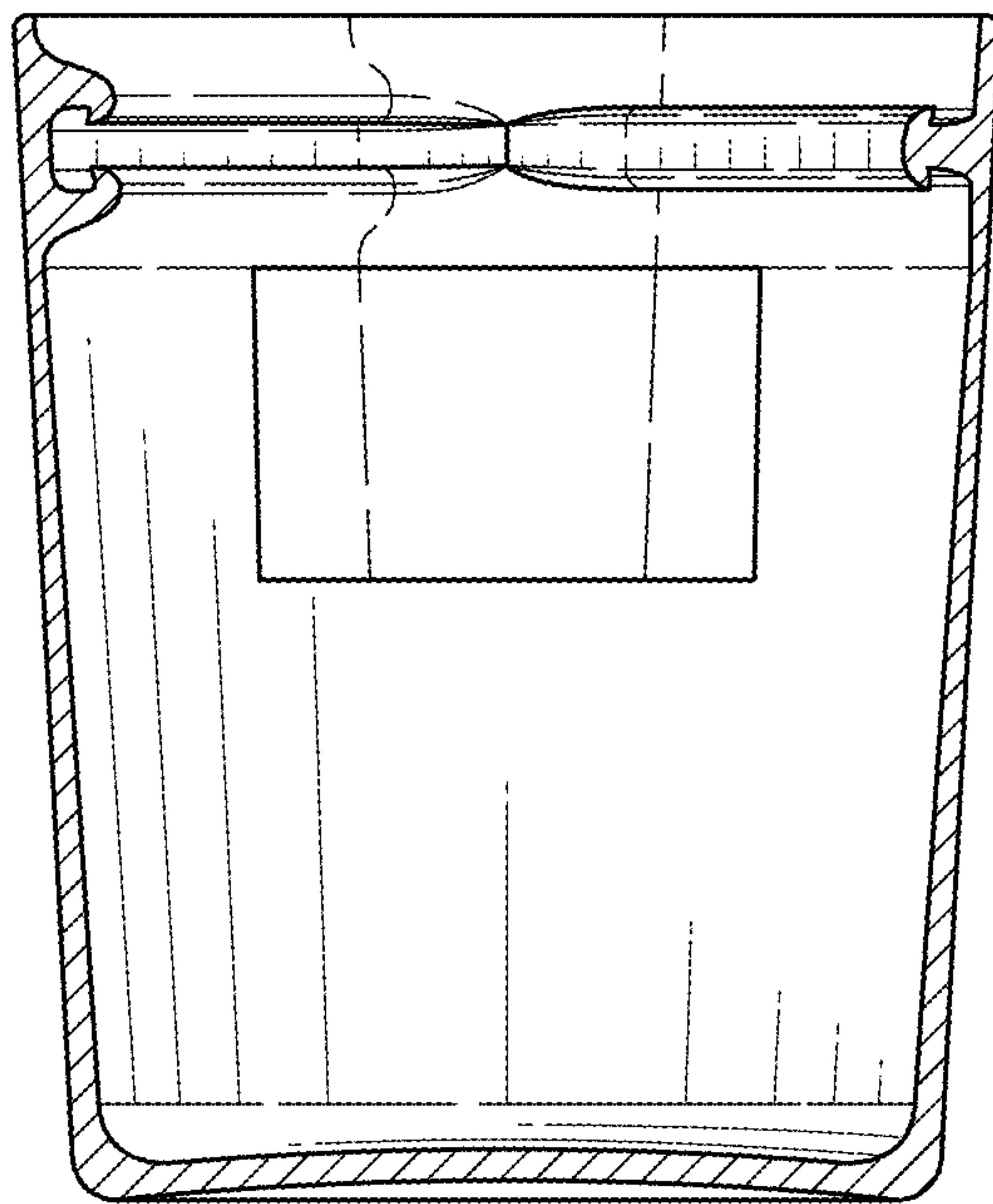


FIG. 9