



US00D876171S

(12) **United States Design Patent** (10) **Patent No.:** **US D876,171 S**  
**Dittrich** (45) **Date of Patent:** **\*\* Feb. 25, 2020**

(54) **SERVER**  
(71) Applicant: **Spectrum Diversified Designs, LLC**,  
Streetsboro, OH (US)  
(72) Inventor: **Megan Leigh Dittrich**, Twinsburg, OH  
(US)

D786,016 S \* 5/2017 Goodman ..... D7/500  
D788,528 S \* 6/2017 Goodman ..... D7/500  
D794,396 S \* 8/2017 Goodman ..... D7/601  
D811,170 S \* 2/2018 Goodman ..... D7/601  
D849,480 S \* 5/2019 Goodman ..... D7/500  
2011/0253711 A1\* 10/2011 Hertaus ..... A47F 5/01  
220/4.27

(73) Assignee: **Spectrum Diversified Designs, LLC**,  
Streetsboro, OH (US)

(\*\*) Term: **15 Years**

(21) Appl. No.: **29/673,138**

(22) Filed: **Dec. 12, 2018**

(51) **LOC (12) Cl.** ..... **07-07**

(52) **U.S. Cl.**  
USPC ..... **D7/601**

(58) **Field of Classification Search**  
USPC ..... D7/601, 602, 504  
CPC ..... A47G 19/02; A47G 19/025; B65D 1/24;  
B65D 1/36; A45C 11/20  
See application file for complete search history.

(56) **References Cited**  
U.S. PATENT DOCUMENTS

D664,006 S *	7/2012	Goodman	.....	D7/601
D664,007 S *	7/2012	Goodman	.....	D7/601
D672,203 S *	12/2012	Goodman	.....	D7/601
D748,439 S *	2/2016	Goodman	.....	D7/601
D748,951 S *	2/2016	Goodman	.....	D7/601
D765,474 S *	9/2016	Khaitan	.....	D7/601
D781,660 S *	3/2017	Chen	.....	D7/600.4
D784,762 S *	4/2017	Goodman	.....	D7/500

**OTHER PUBLICATIONS**

Twist Napkin Holder, [online], [retrieved on Dec. 12, 2018]. Retrieved from Internet, <URL: <https://www.spectrumdiversified.com/products/Twist-Napkin-Holder>>.

\* cited by examiner

*Primary Examiner* — Cynthia R Underwood  
(74) *Attorney, Agent, or Firm* — Renner, Otto, Boisselle and Sklar, LLP

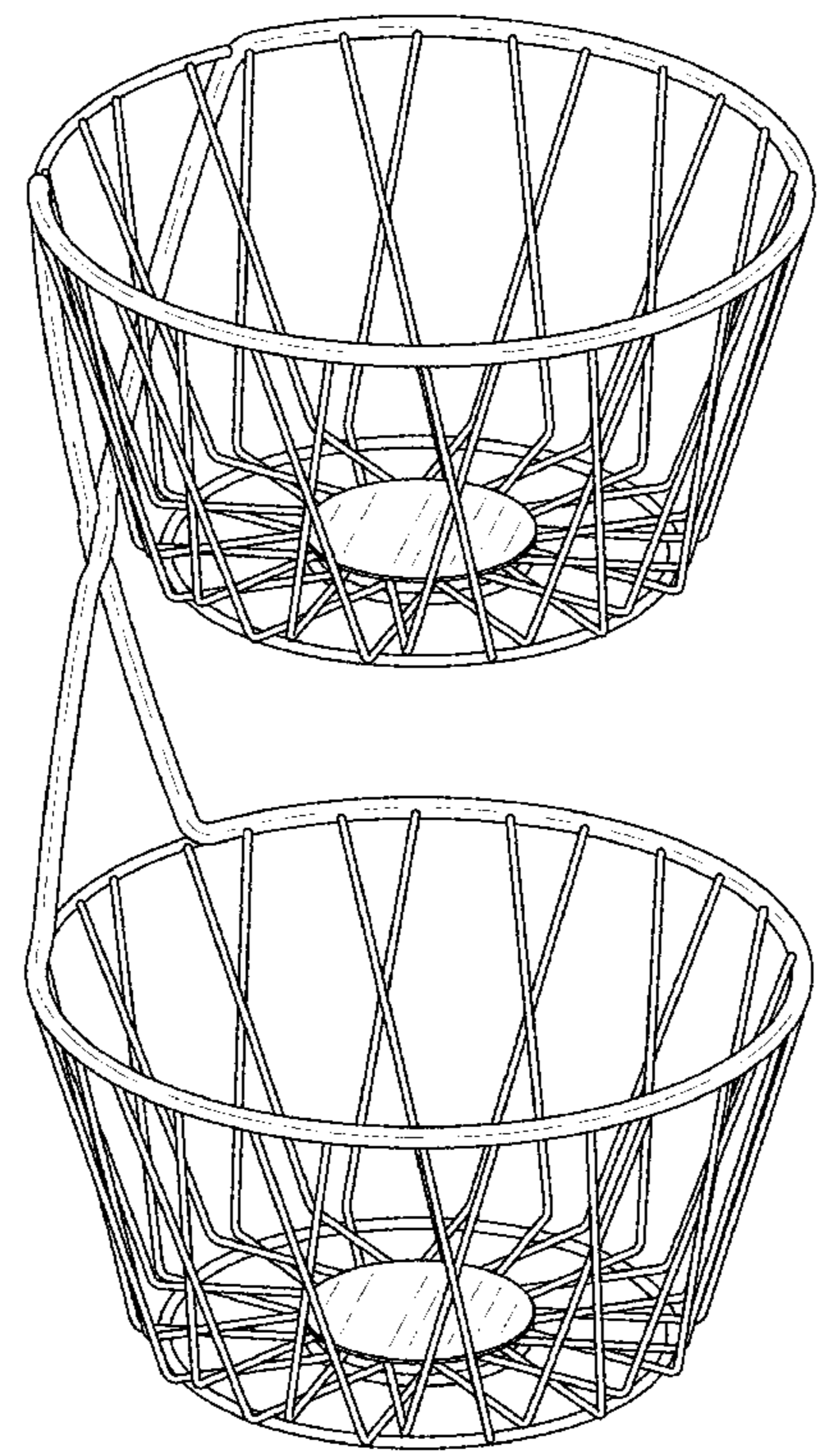
(57) **CLAIM**

The ornamental design for a server, as shown and described.

**DESCRIPTION**

FIG. 1 is a top, left, rear perspective view of a server showing my new design;  
FIG. 2 is a front elevation view thereof;  
FIG. 3 is a rear elevation view thereof;  
FIG. 4 is a right side elevation view thereof;  
FIG. 5 is a left side elevation view thereof;  
FIG. 6 is a top plan view thereof; and,  
FIG. 7 is a bottom plan view thereof.

**1 Claim, 4 Drawing Sheets**



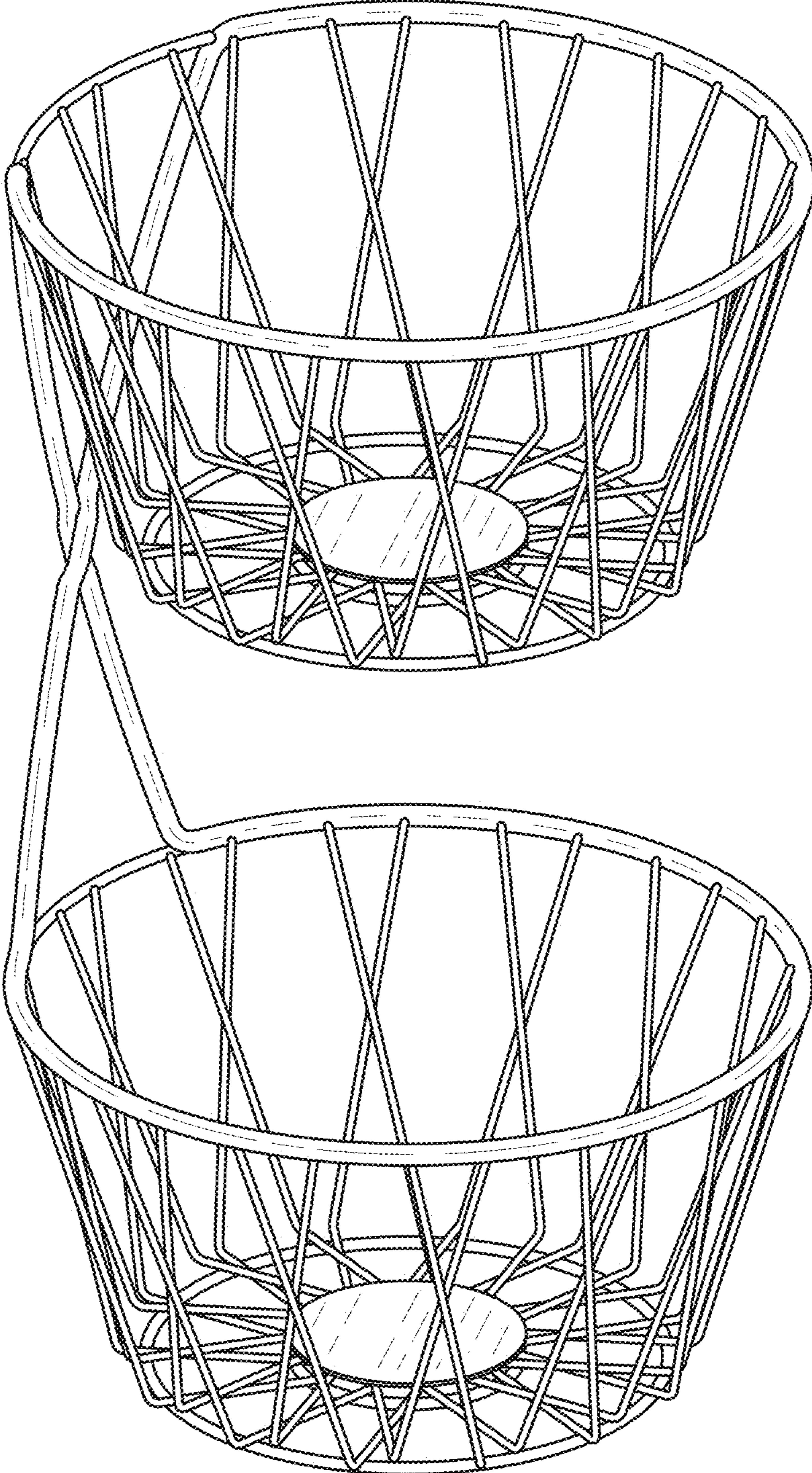


FIG. 1

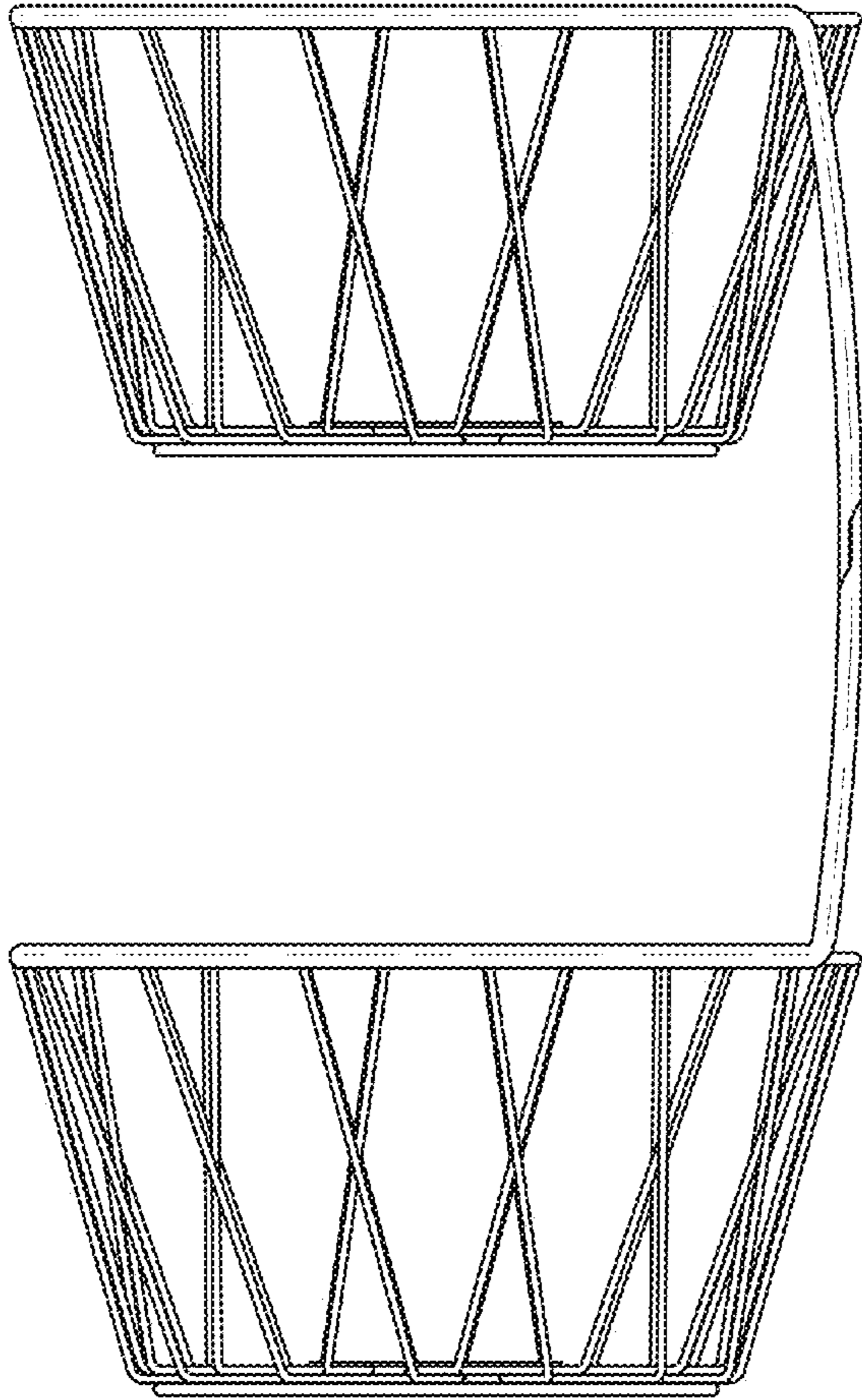


FIG. 2

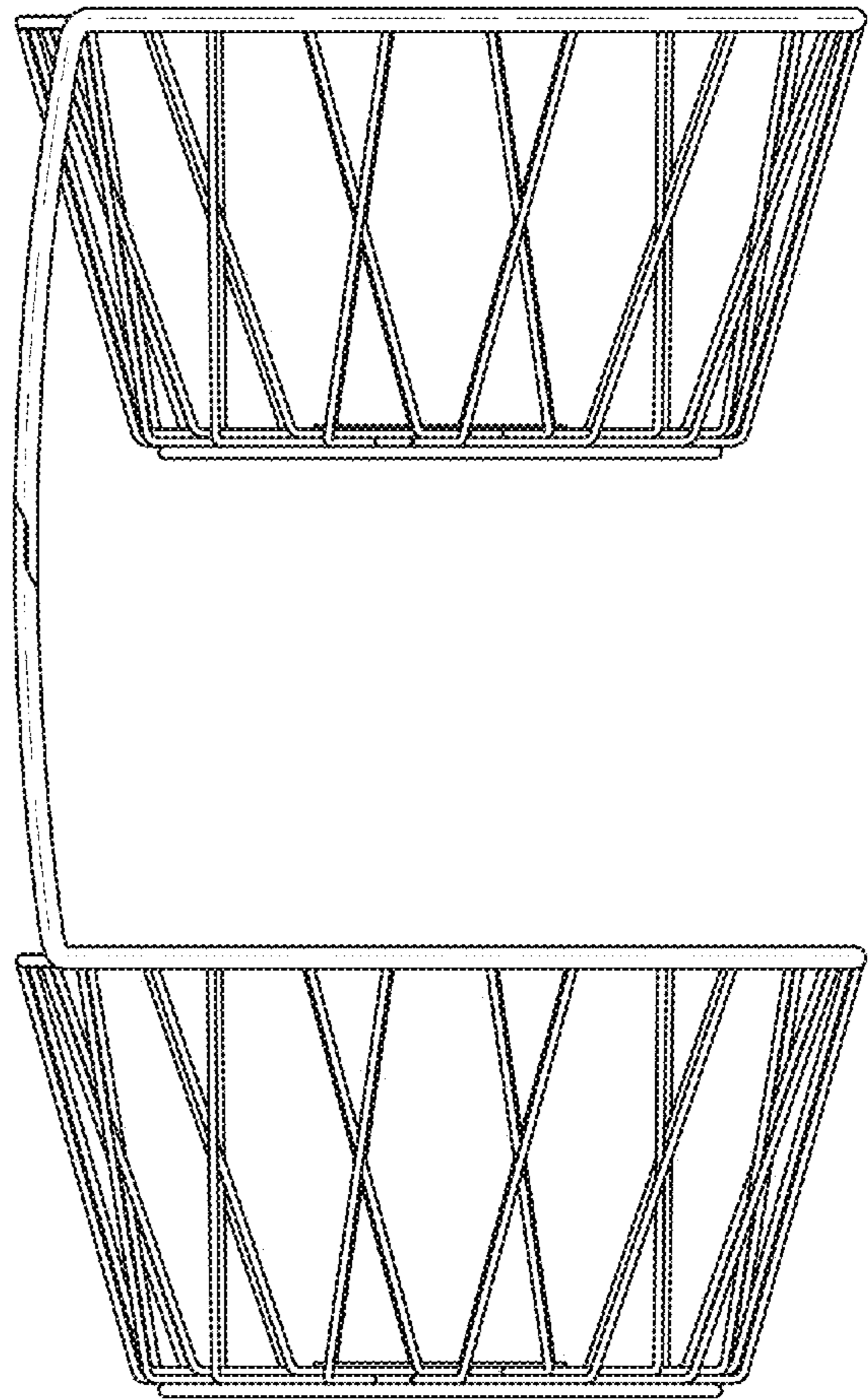


FIG. 3

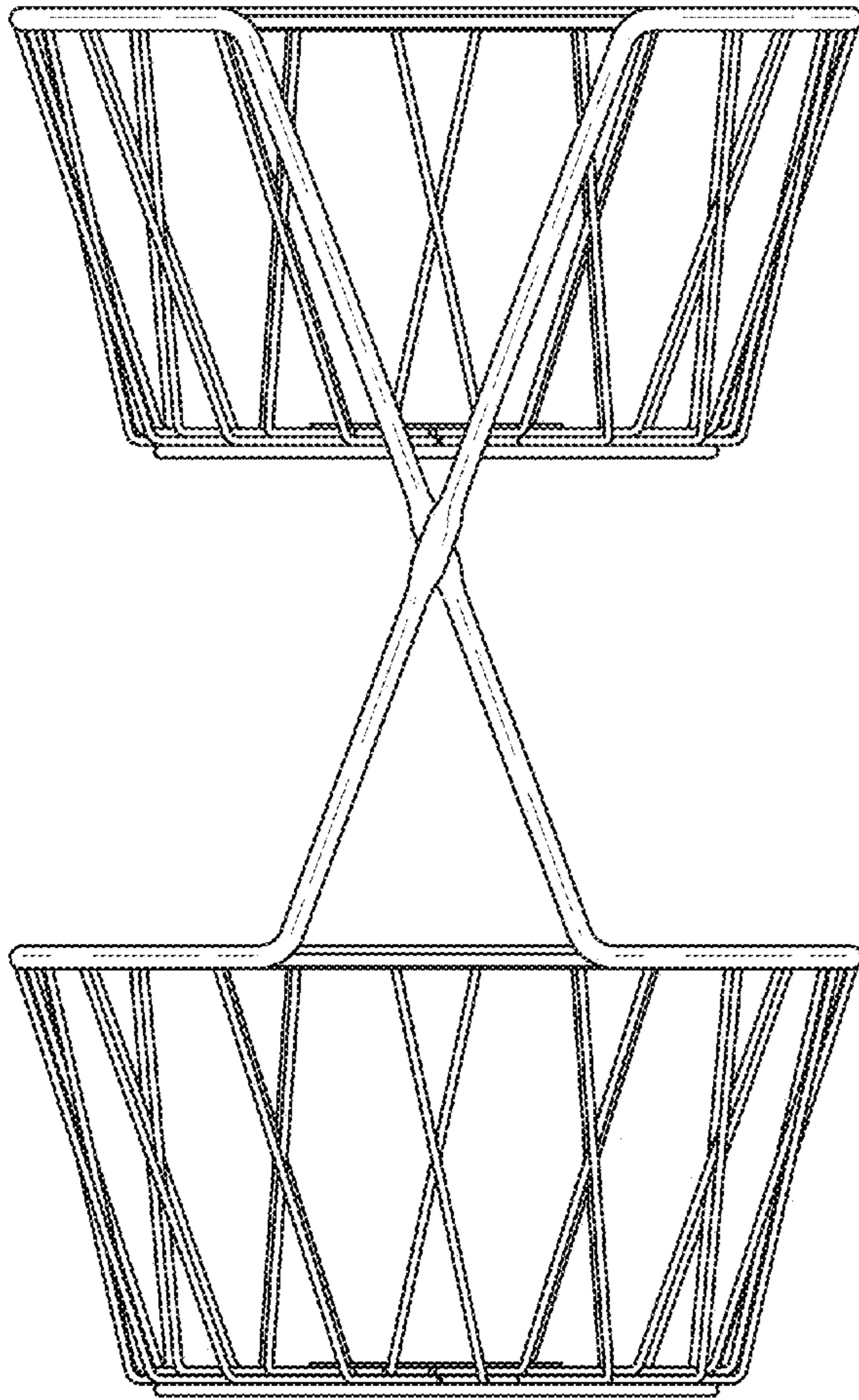


FIG. 4

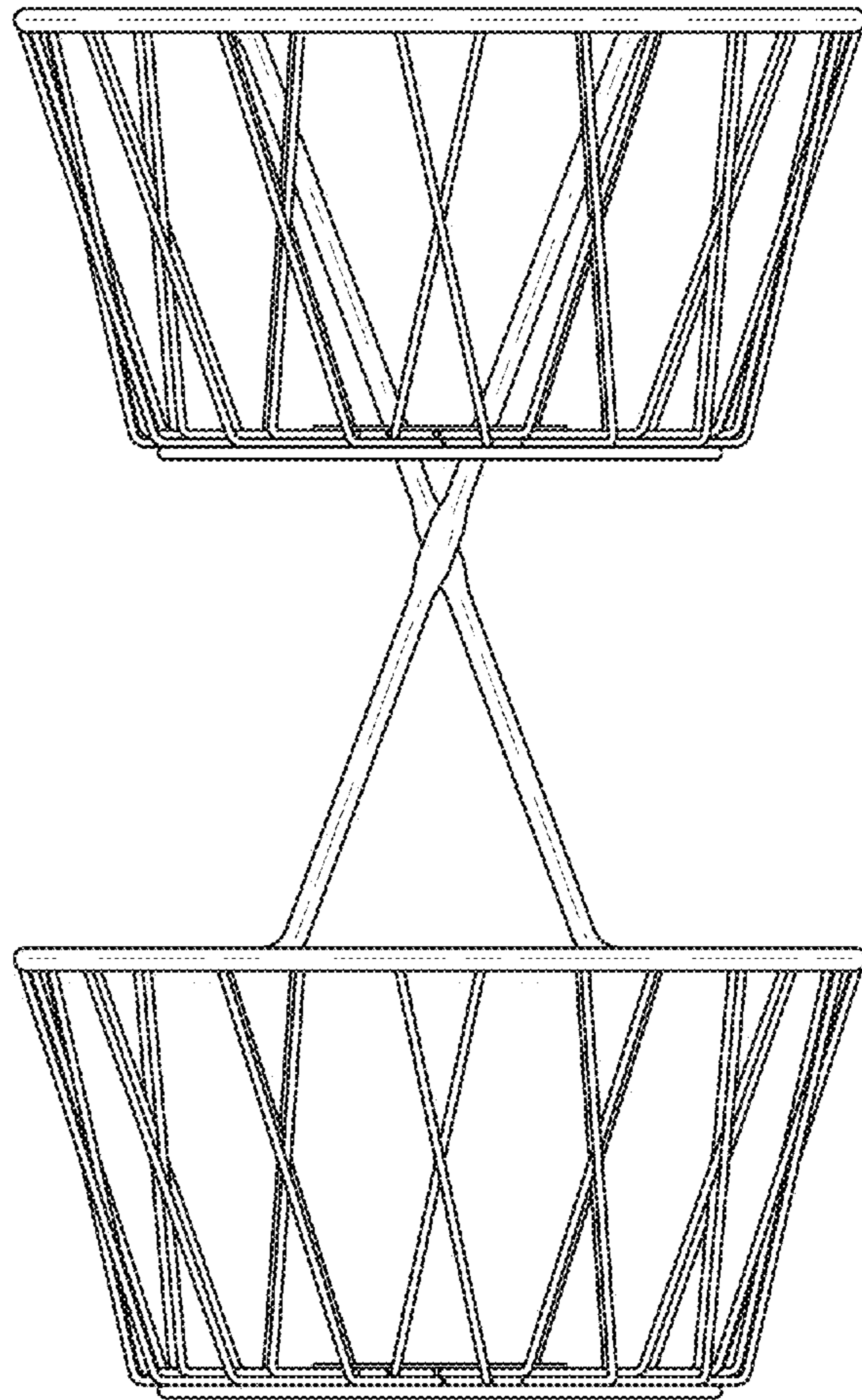


FIG. 5

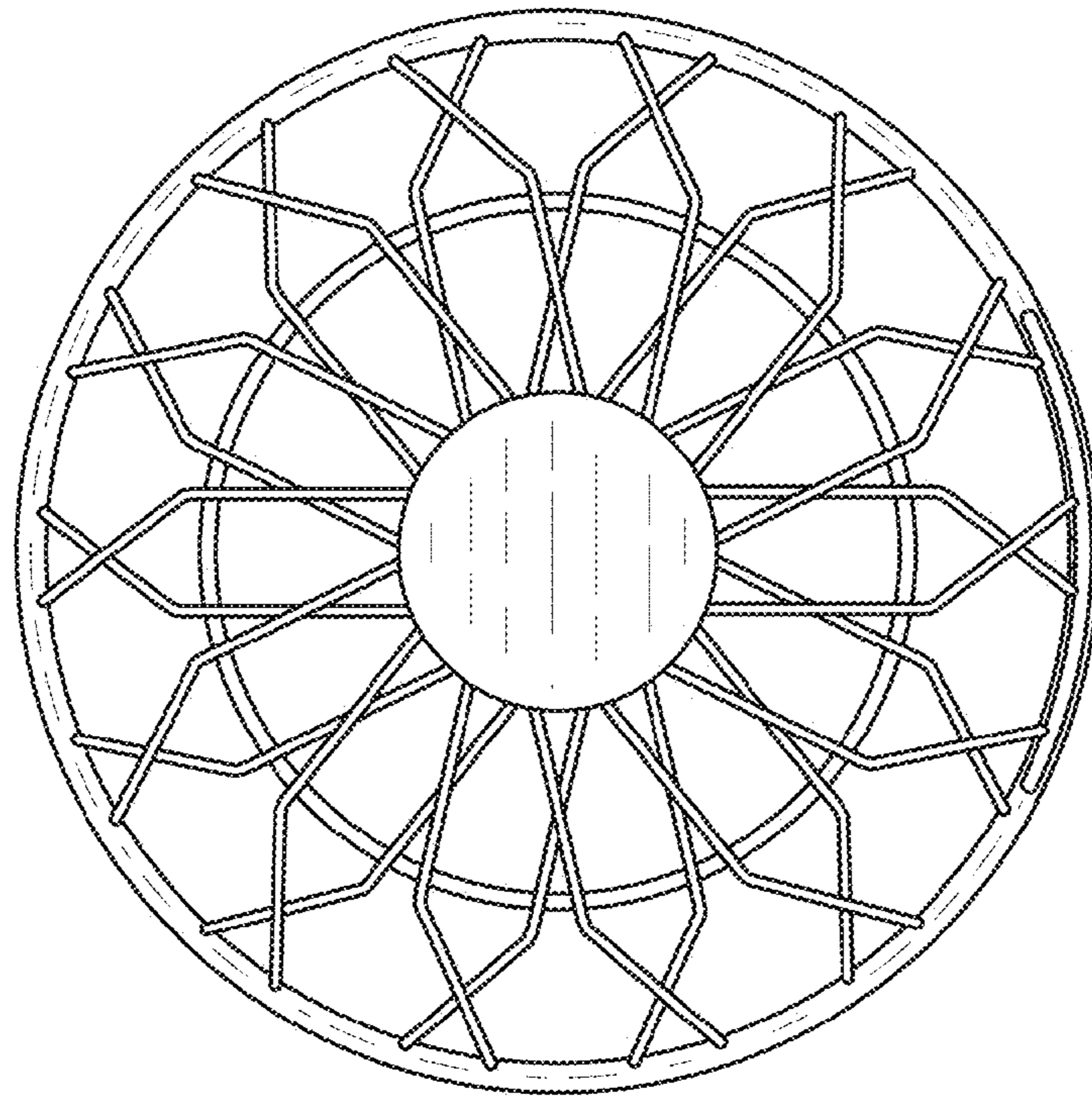


FIG. 6

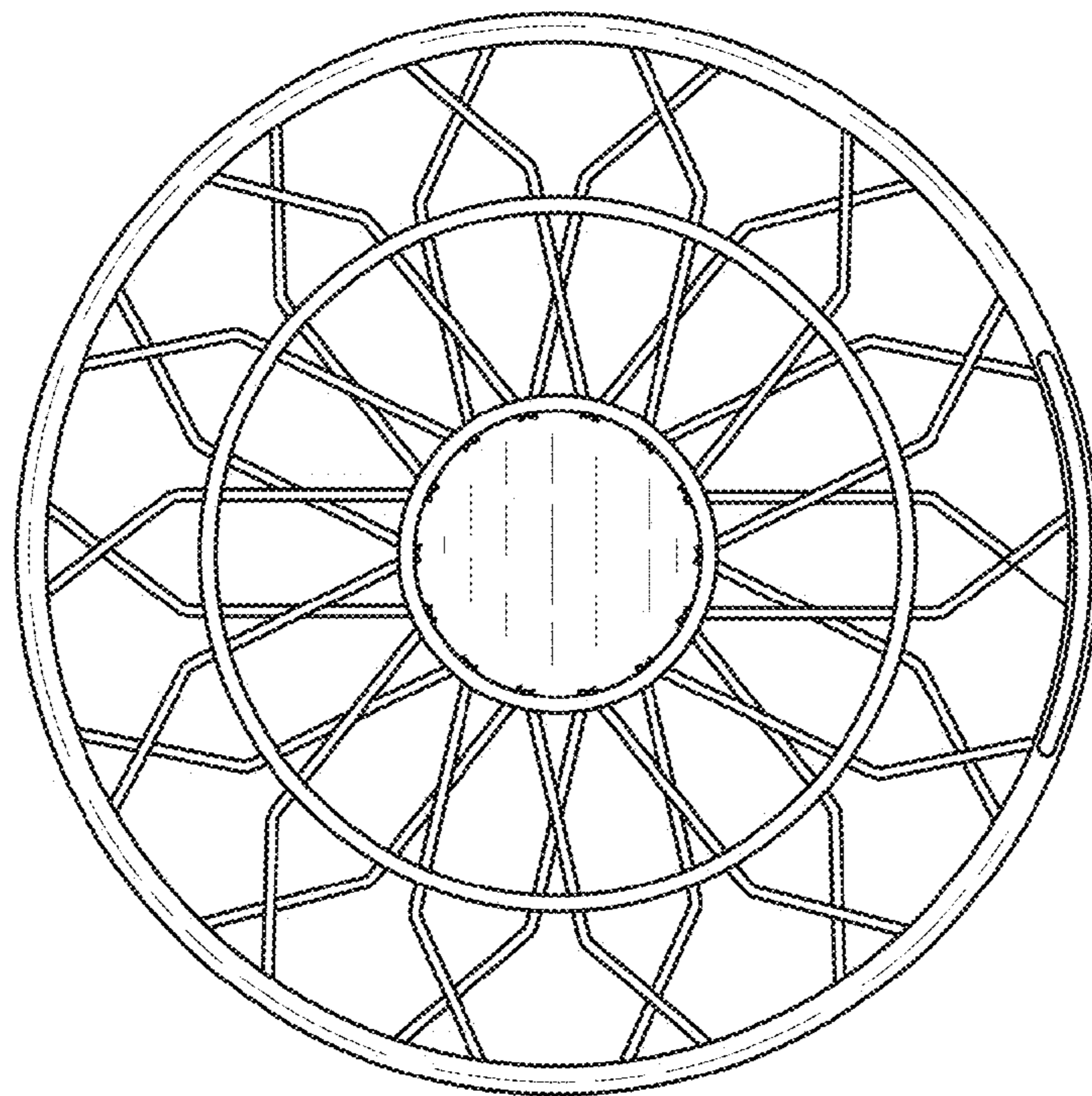


FIG. 7