



US00D876170S

(12) **United States Design Patent** (10) **Patent No.:** **US D876,170 S**
Wilson (45) **Date of Patent:** **** Feb. 25, 2020**

(54) SERVER	D771,442 S	11/2016	Goodman et al.
	D781,660 S *	3/2017	Chen D7/600.4
(71) Applicant: Spectrum Diversified Designs, LLC, Streetsboro, OH (US)	D784,762 S *	4/2017	Goodman D7/500
	D785,404 S	5/2017	Goodman et al.
	D786,016 S *	5/2017	Goodman D7/500
	D788,528 S *	6/2017	Goodman D7/500
(72) Inventor: Courtney K. Wilson, Chardon, OH (US)	D794,396 S *	8/2017	Goodman D7/601
	D811,170 S *	2/2018	Goodman D7/601
	D833,223 S	11/2018	Wilson et al.
	D849,480 S *	5/2019	Goodman D7/500
(73) Assignee: Spectrum Diversified Designs, LLC, Streetsboro, OH (US)	2011/0253711 A1 *	10/2011	Hertaus A47F 5/01 220/4.27

(**) Term: **15 Years**

* cited by examiner

(21) Appl. No.: **29/672,072**

Primary Examiner — Cynthia R Underwood

(22) Filed: **Dec. 3, 2018**

(74) *Attorney, Agent, or Firm* — Renner, Otto, Boisselle and Sklar, LLP

(51) **LOC (12) Cl.** **07-07**

(52) **U.S. Cl.**
USPC **D7/601**

(57) **CLAIM**

(58) **Field of Classification Search**
USPC D7/601, 602, 504
CPC A47G 19/02; A47G 19/025; B65D 1/24;
B65D 1/36; A45C 11/20

The ornamental design for a server, as shown and described.

See application file for complete search history.

DESCRIPTION

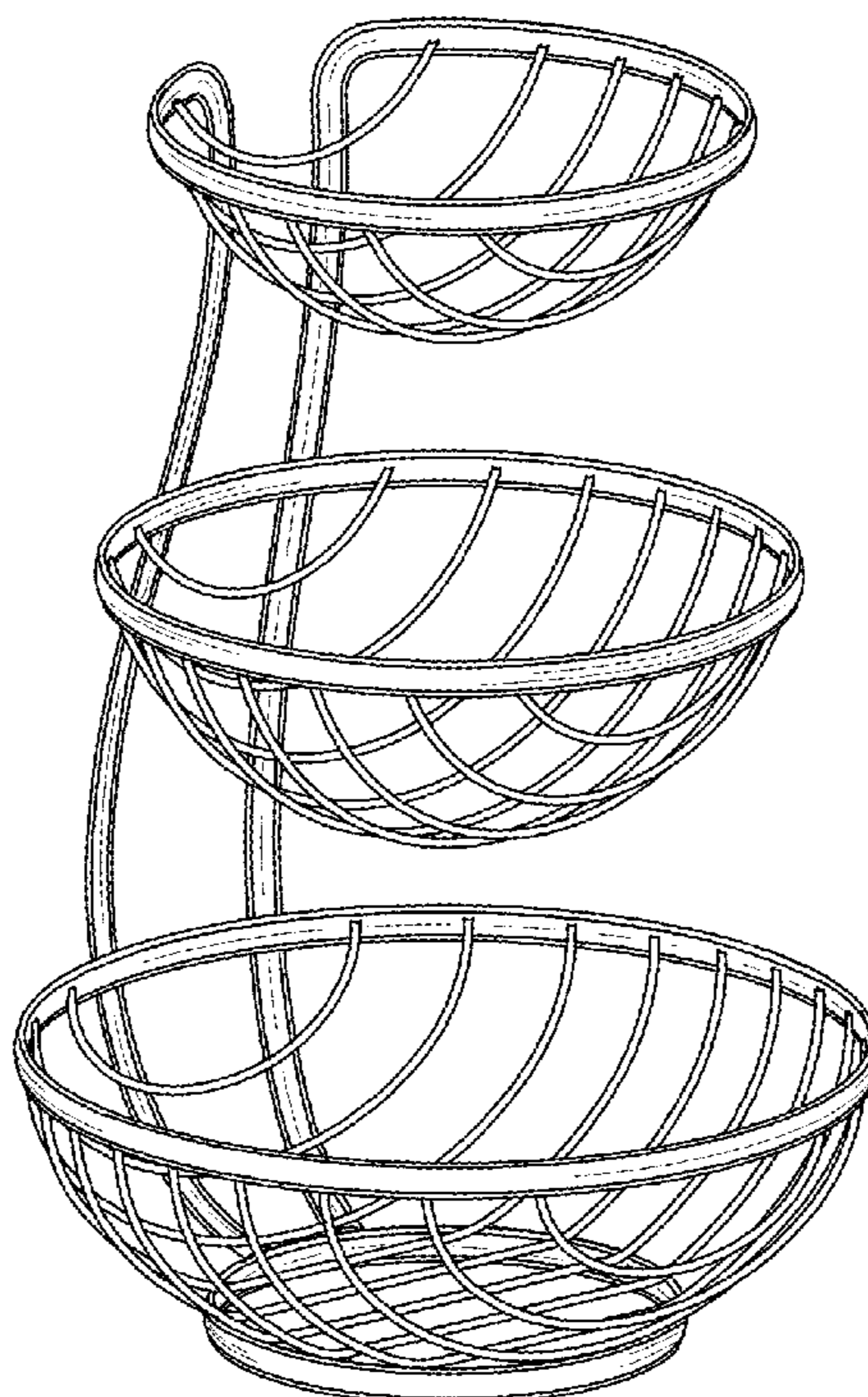
(56) **References Cited**

U.S. PATENT DOCUMENTS

D664,006 S *	7/2012	Goodman	D7/601
D664,007 S *	7/2012	Goodman	D7/601
D672,203 S *	12/2012	Goodman	D7/601
D698,204 S	1/2014	Goodman et al.		
D698,205 S	1/2014	Goodman et al.		
D745,279 S	12/2015	Goodman et al.		
D748,439 S *	2/2016	Goodman	D7/601
D748,951 S *	2/2016	Goodman	D7/601
D765,474 S *	9/2016	Khaitan	D7/601

FIG. 1 is a top, right, front perspective view of a server showing my new design;
FIG. 2 is a right side elevation view thereof;
FIG. 3 is a left side elevation view thereof;
FIG. 4 is a rear elevation view thereof;
FIG. 5 is a bottom plan view thereof; and,
FIG. 6 is a top plan view thereof.
A front elevation view is a mirror image of the rear elevation view and is therefore omitted.

1 Claim, 4 Drawing Sheets



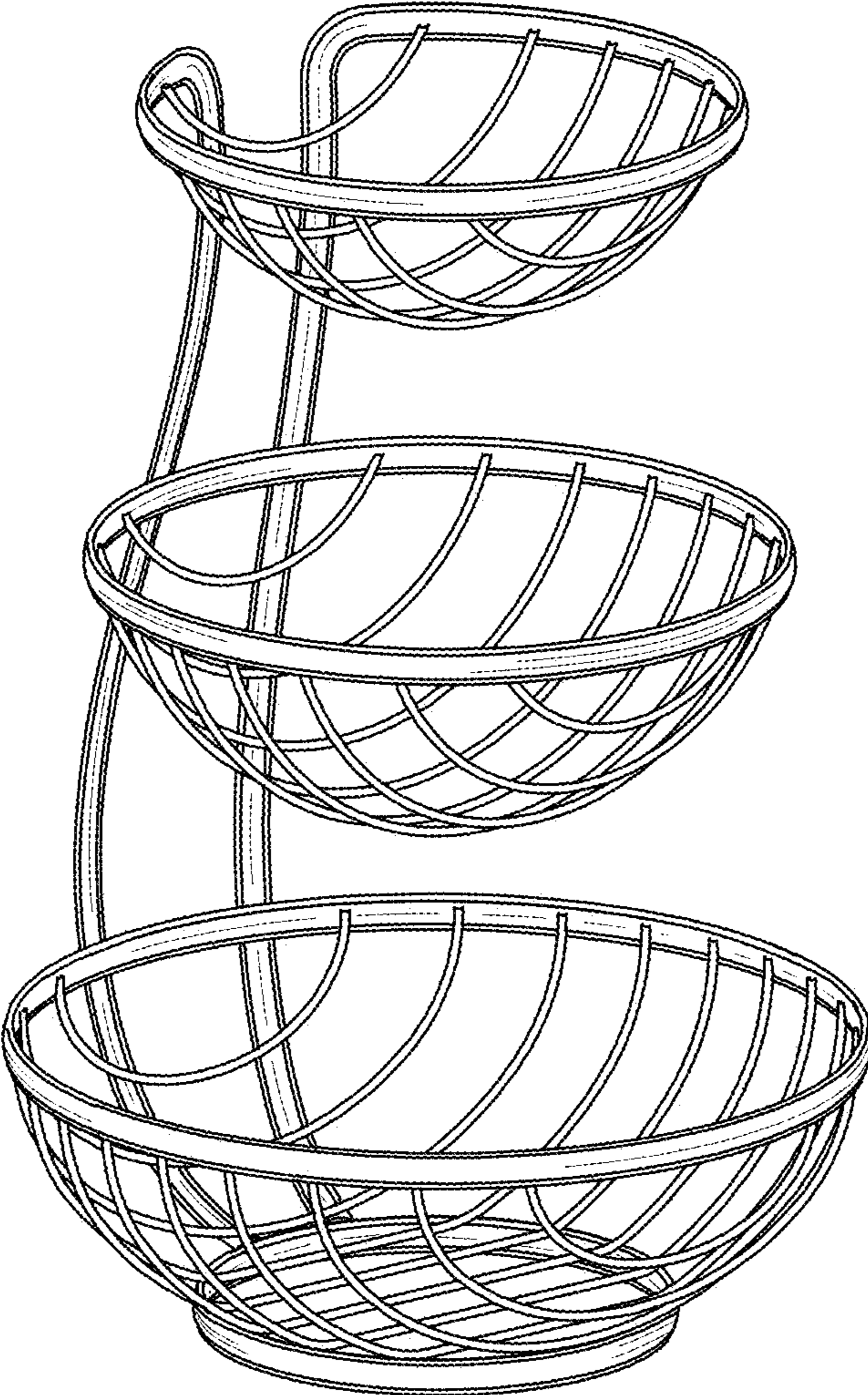


FIG. 1

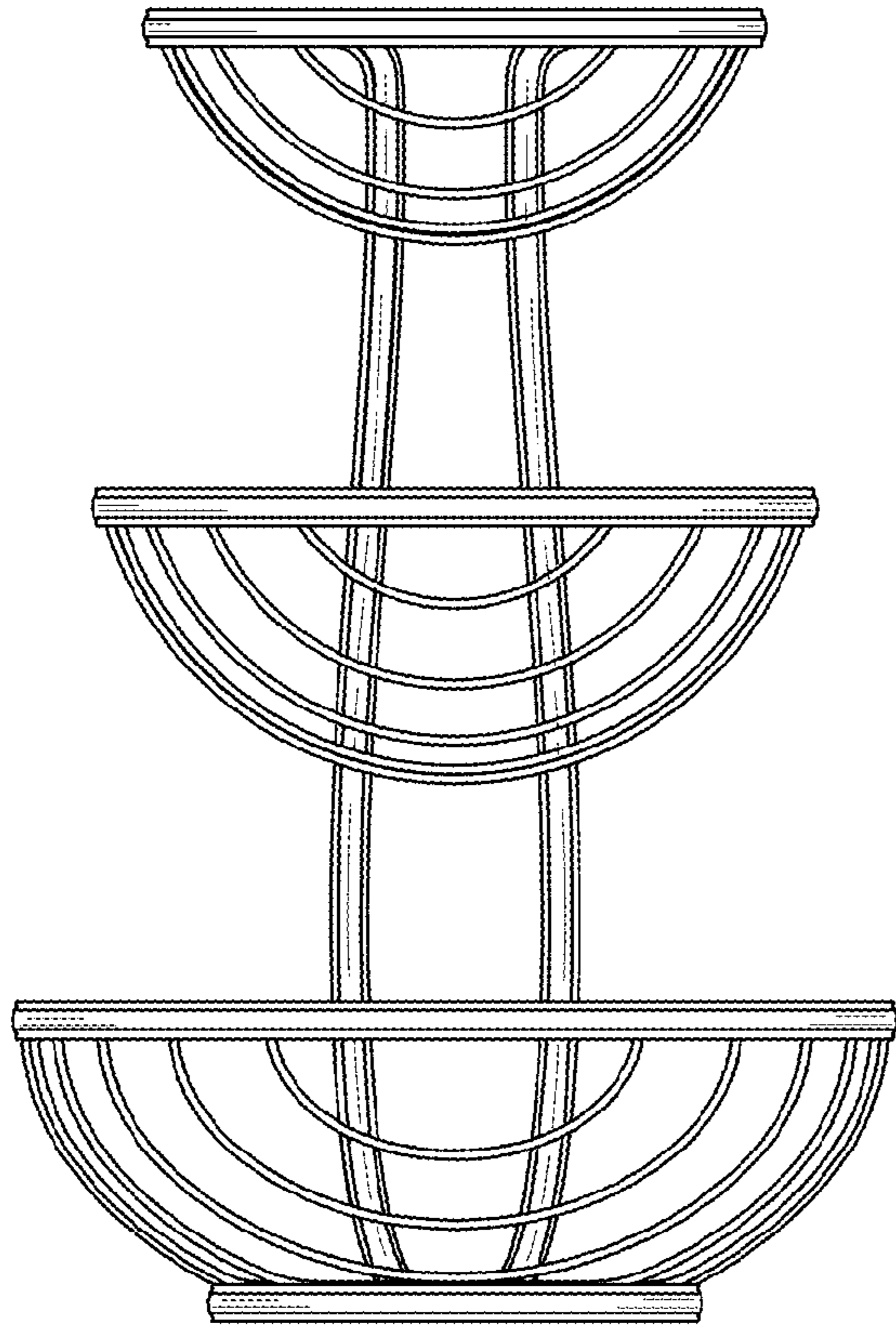


FIG. 2

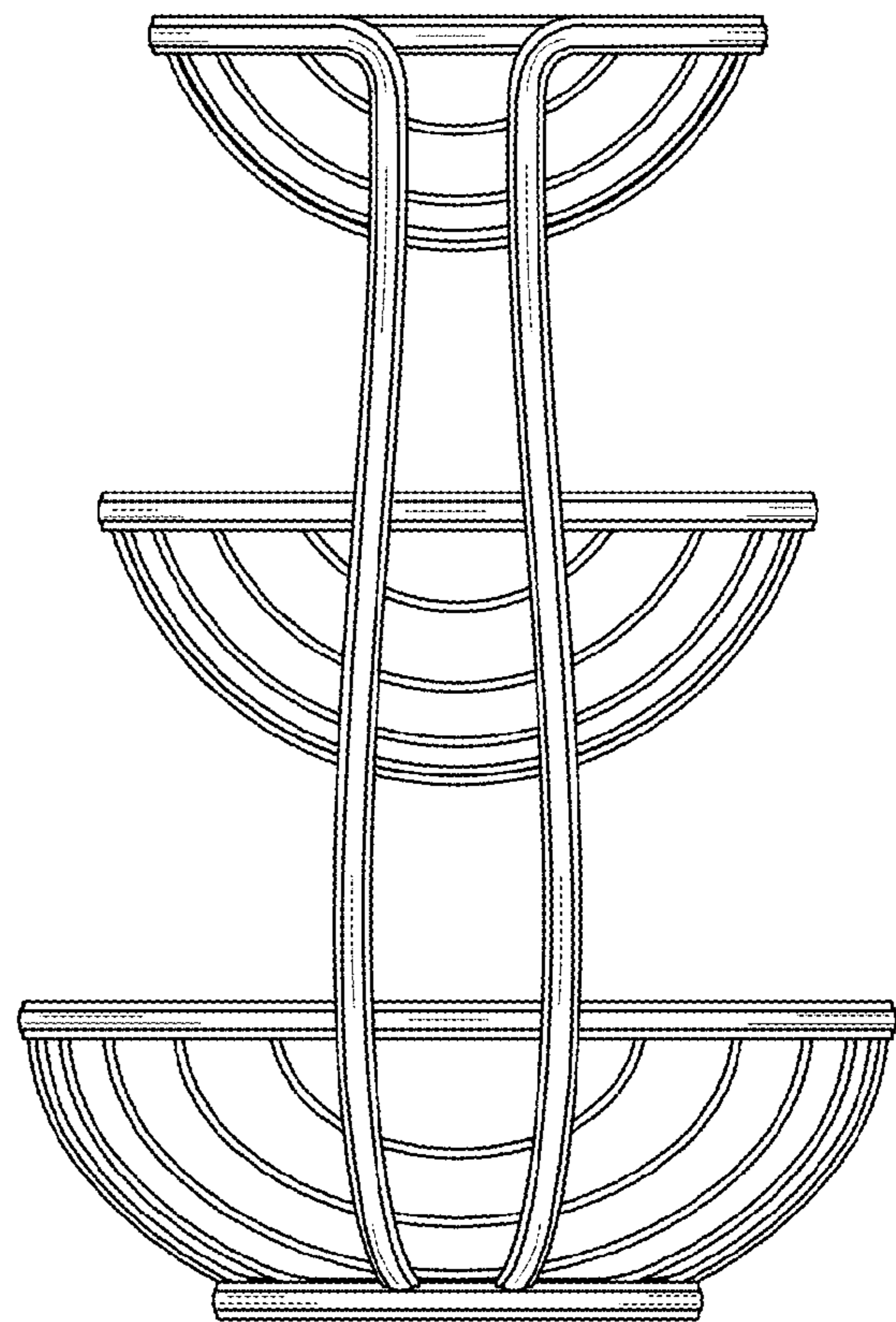


FIG. 3

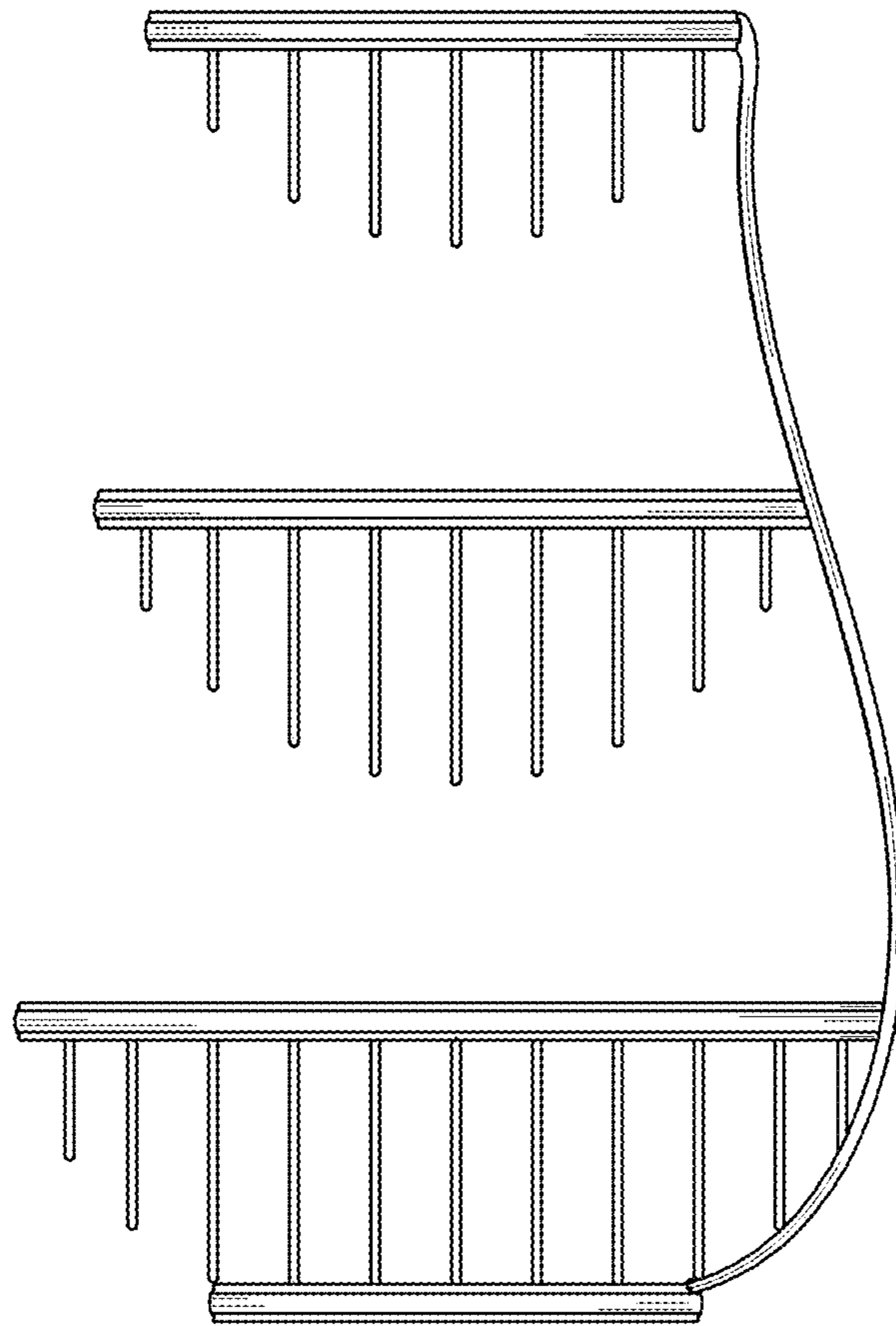


FIG. 4

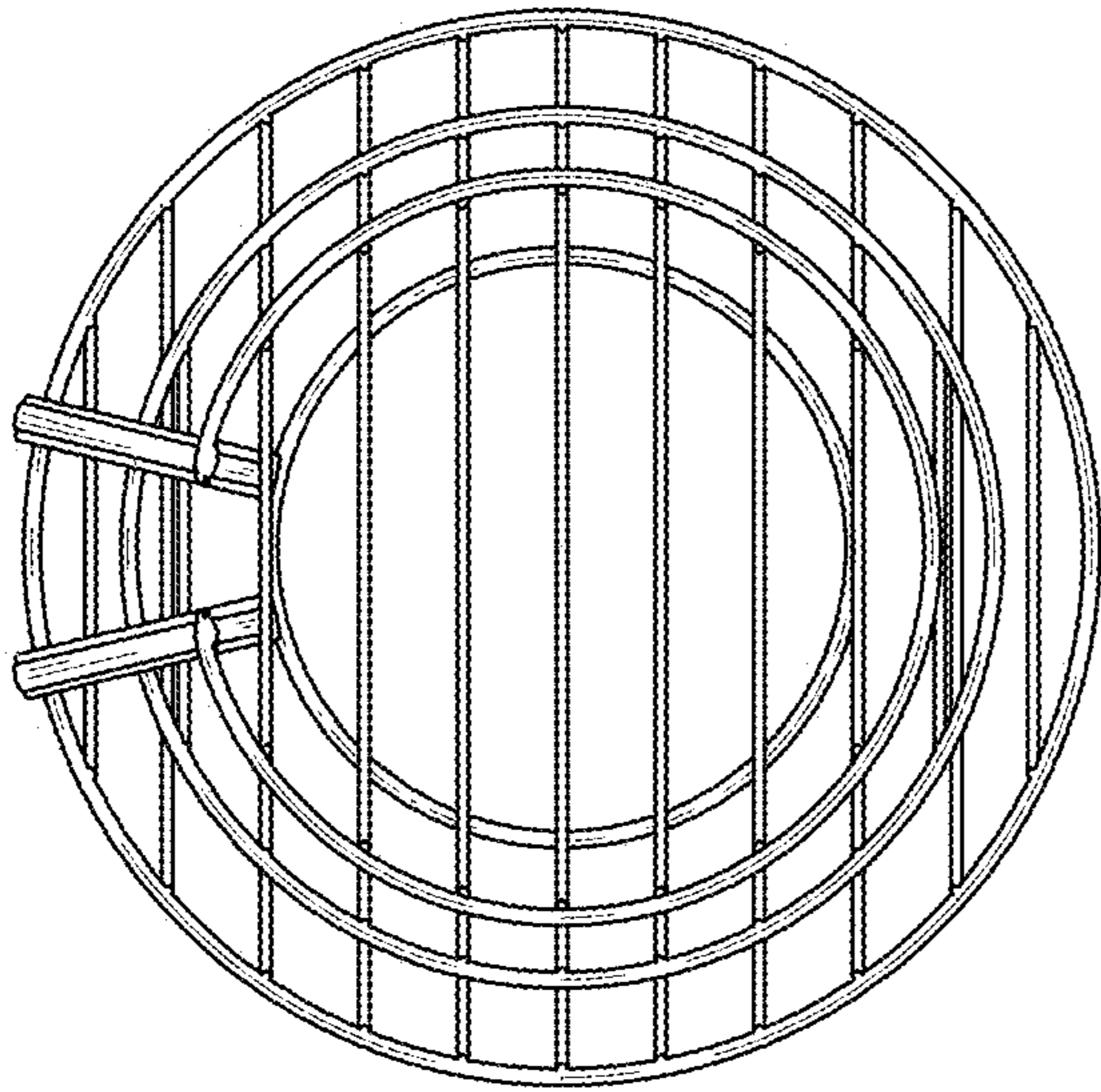


FIG. 5

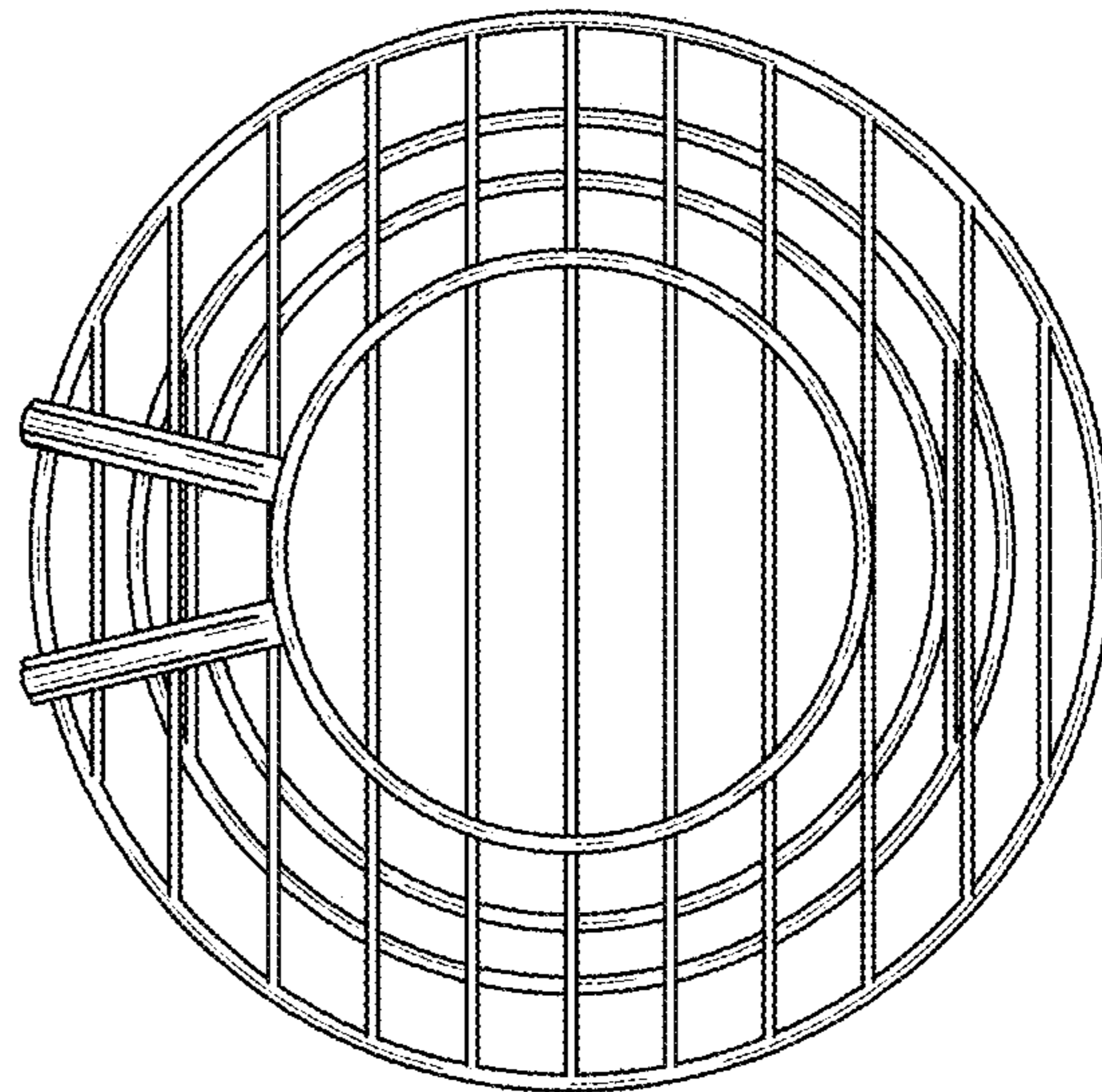


FIG. 6