



US00D876167S

(12) **United States Design Patent**
Welsch et al.

(10) **Patent No.:** **US D876,167 S**

(45) **Date of Patent:** **** Feb. 25, 2020**

(54) **WATER CONTAINER**

(71) Applicant: **JIBU, L3C**, Colorado Springs, CO
(US)

(72) Inventors: **Galen Welsch**, Colorado Springs, CO
(US); **Matthew Gross**, Boulder, CO
(US); **Randy Welsch**, Colorado
Springs, CO (US)

(73) Assignee: **JIBU, L3C**, Colorado Springs, CO
(US)

(**) Term: **15 Years**

(21) Appl. No.: **29/637,332**

(22) Filed: **Feb. 15, 2018**

(51) **LOC (12) Cl.** **07-01**

(52) **U.S. Cl.**
USPC **D7/536; D7/533; D7/532; D9/531;**
D9/524

(58) **Field of Classification Search**

USPC D7/509, 510, 511, 523, 529, 532, 533,
D7/535, 536, 300, 300.1, 608, 629, 387,
D7/304-315, 534, 396.1, 524, 537, 572,
D7/392.1, 391; D9/503, 504, 531, 530,
D9/566, 544, 549, 550, 553, 554, 516,
D9/537, 454, 434, 527, 524; 215/228,
215/229; 220/592.2, 592.16, 592.17;
D23/202, 207; 99/281, 305, 307;
222/146.6; 141/247
CPC A47G 19/22; A47G 19/2227; A47G 19/02;
A47G 19/025; A47G 19/2288; Y10S
220/903

See application file for complete search history.

(56) **References Cited**

U.S. PATENT DOCUMENTS

D466,816 S	*	12/2002	Leray	D9/524
D498,420 S	*	11/2004	Cadotte	D9/524
D514,940 S	*	2/2006	Darr	D9/523
D542,099 S	*	5/2007	George	D7/615
D694,643 S	*	12/2013	Boisvert	D9/454
D699,581 S	*	2/2014	Gieske	D9/516
D709,733 S	*	7/2014	Rinderer	D7/603
D764,295 S	*	8/2016	Gieske	D9/527
D769,123 S	*	10/2016	Hegarty	D9/527

* cited by examiner

Primary Examiner — Jae Liang

(74) *Attorney, Agent, or Firm* — Martensen IP

(57) **CLAIM**

The ornamental design for a water container, as shown and described.

DESCRIPTION

The present application is related to commonly assigned U.S. Design Pat. No. D781,107 issued Mar. 14, 2017 and U.S. Design Pat. No. D781,657, issued Mar. 21, 2017.

FIG. 1 is a front left perspective view of a water container showing our new design.

FIG. 2 is a side view of the water container.

FIG. 3 is a view of the opposite side of the water container.

FIG. 4 is a front view of the water container.

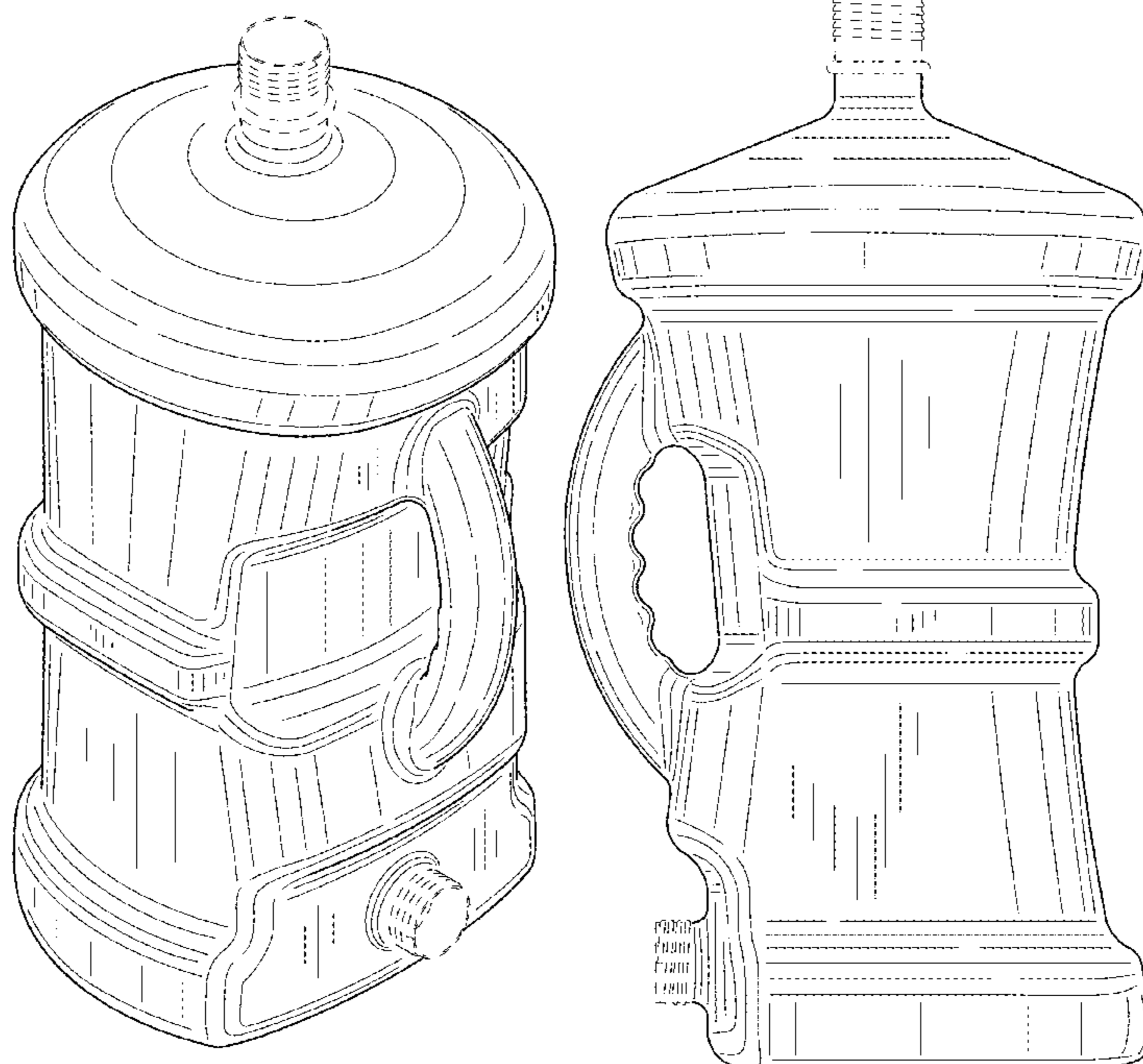
FIG. 5 is a back view of the water container.

FIG. 6 is a top view of the water container; and,

FIG. 7 is a bottom view of a water container.

The broken lines in the drawings depict portions of the water container that form no part of the claimed design.

1 Claim, 7 Drawing Sheets



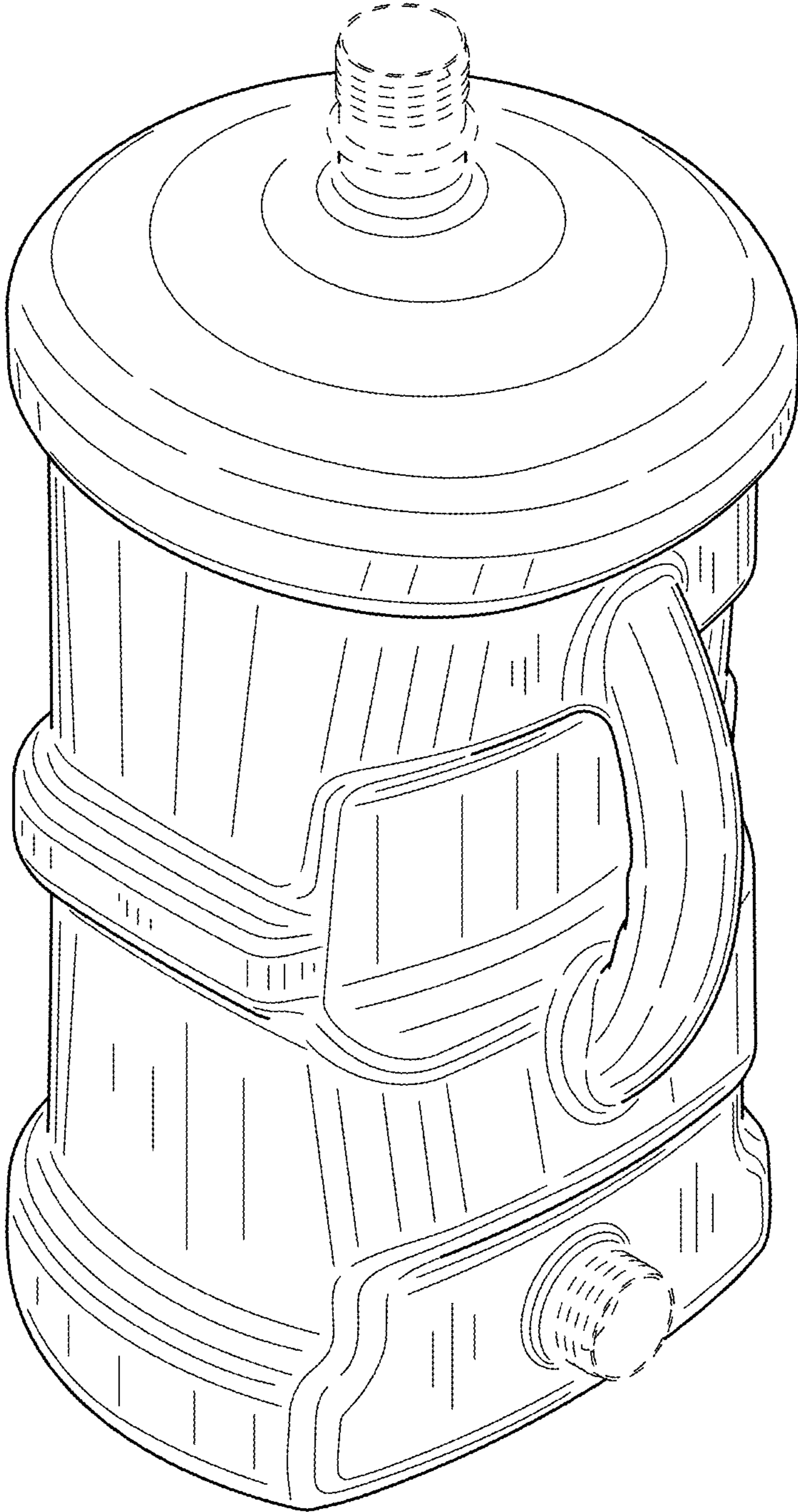


FIG.1

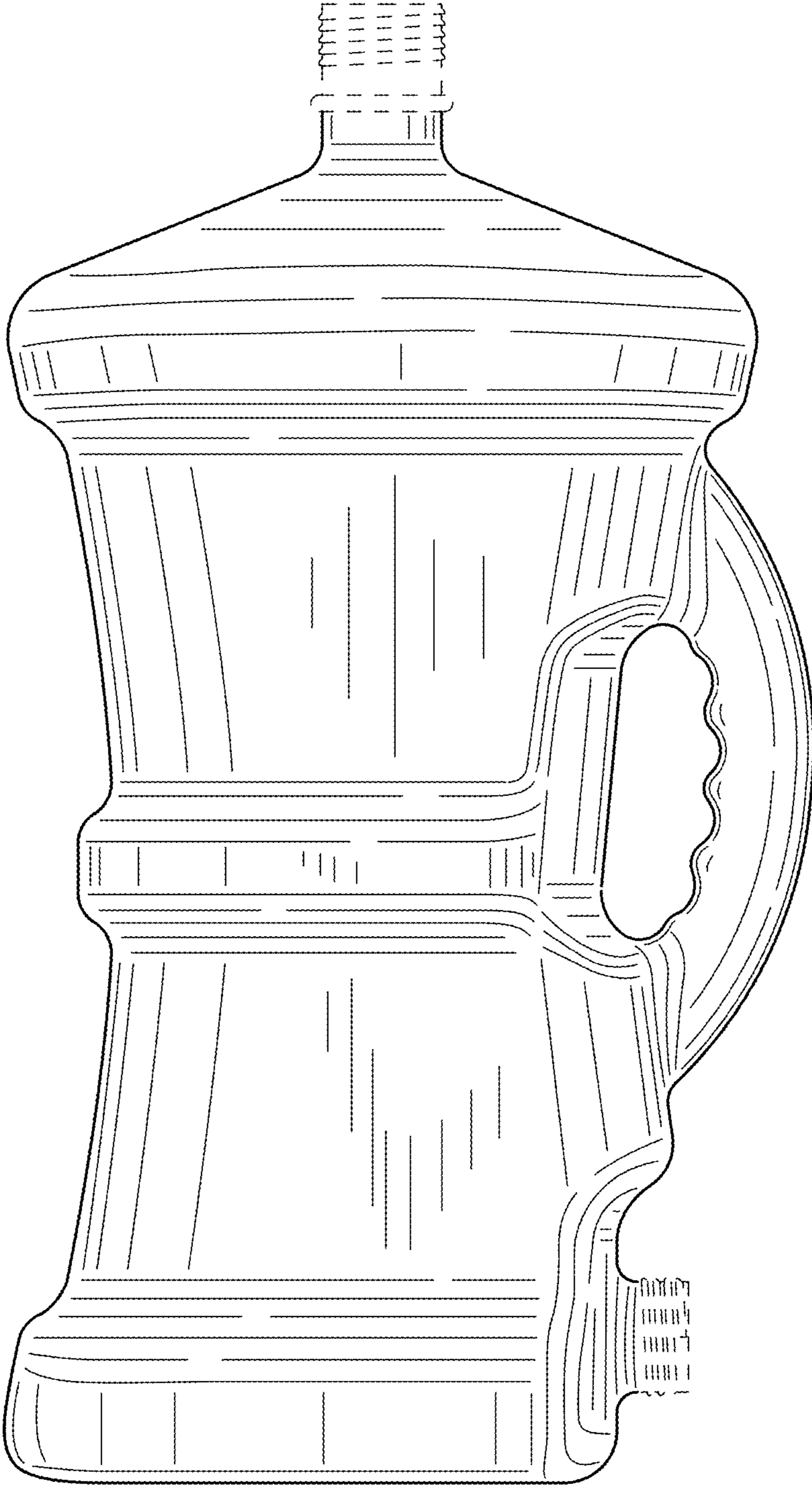


FIG.2

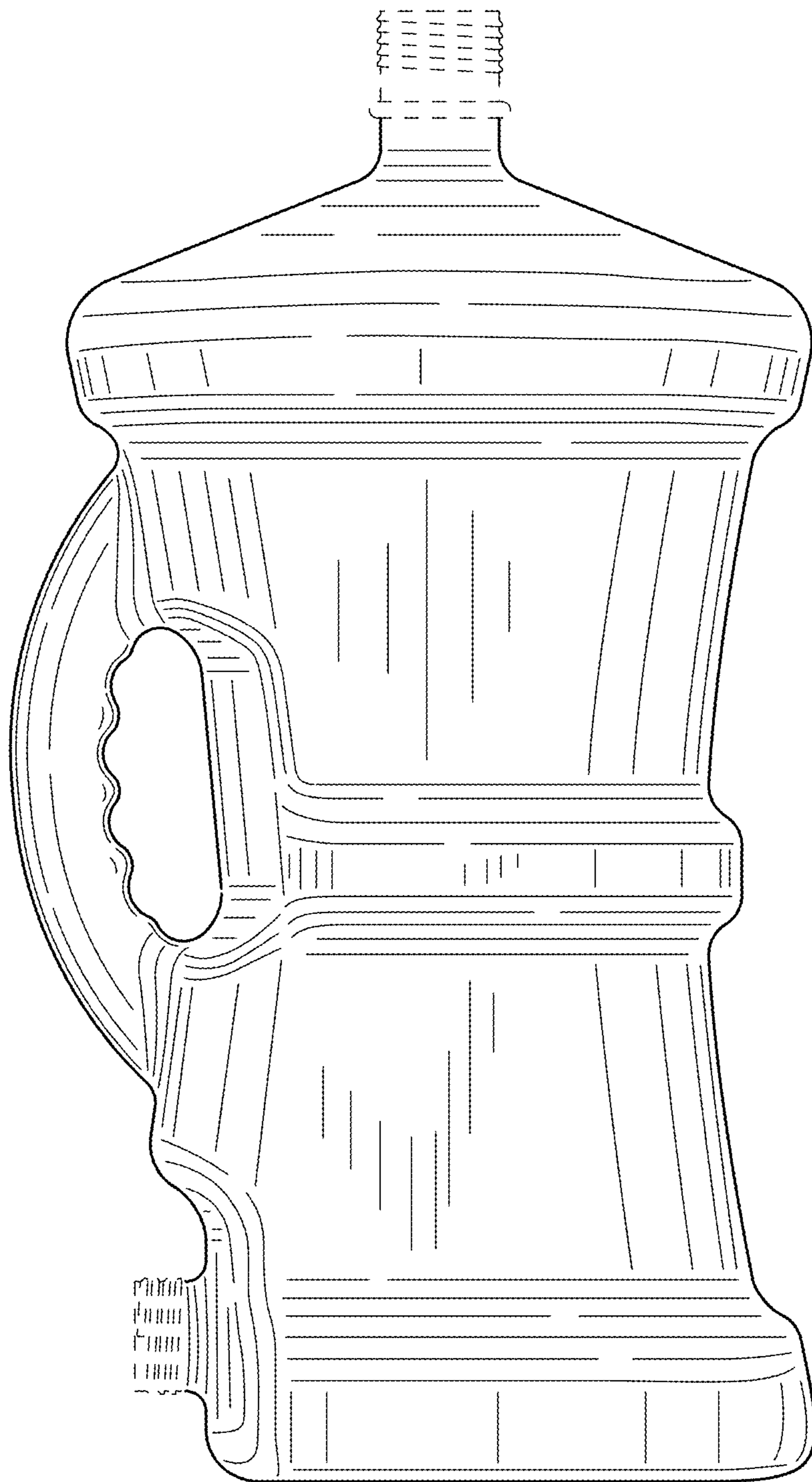


FIG.3

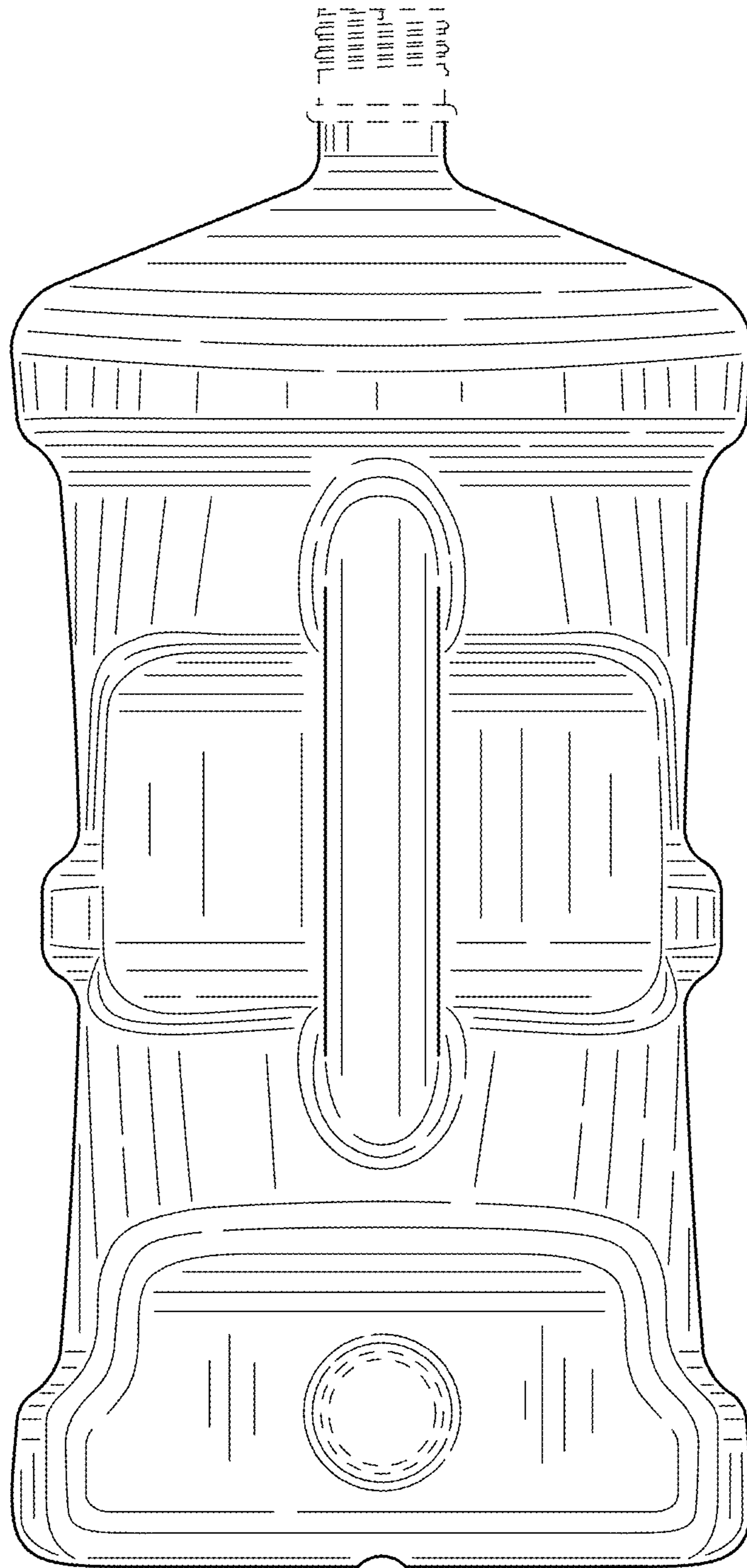


FIG.4

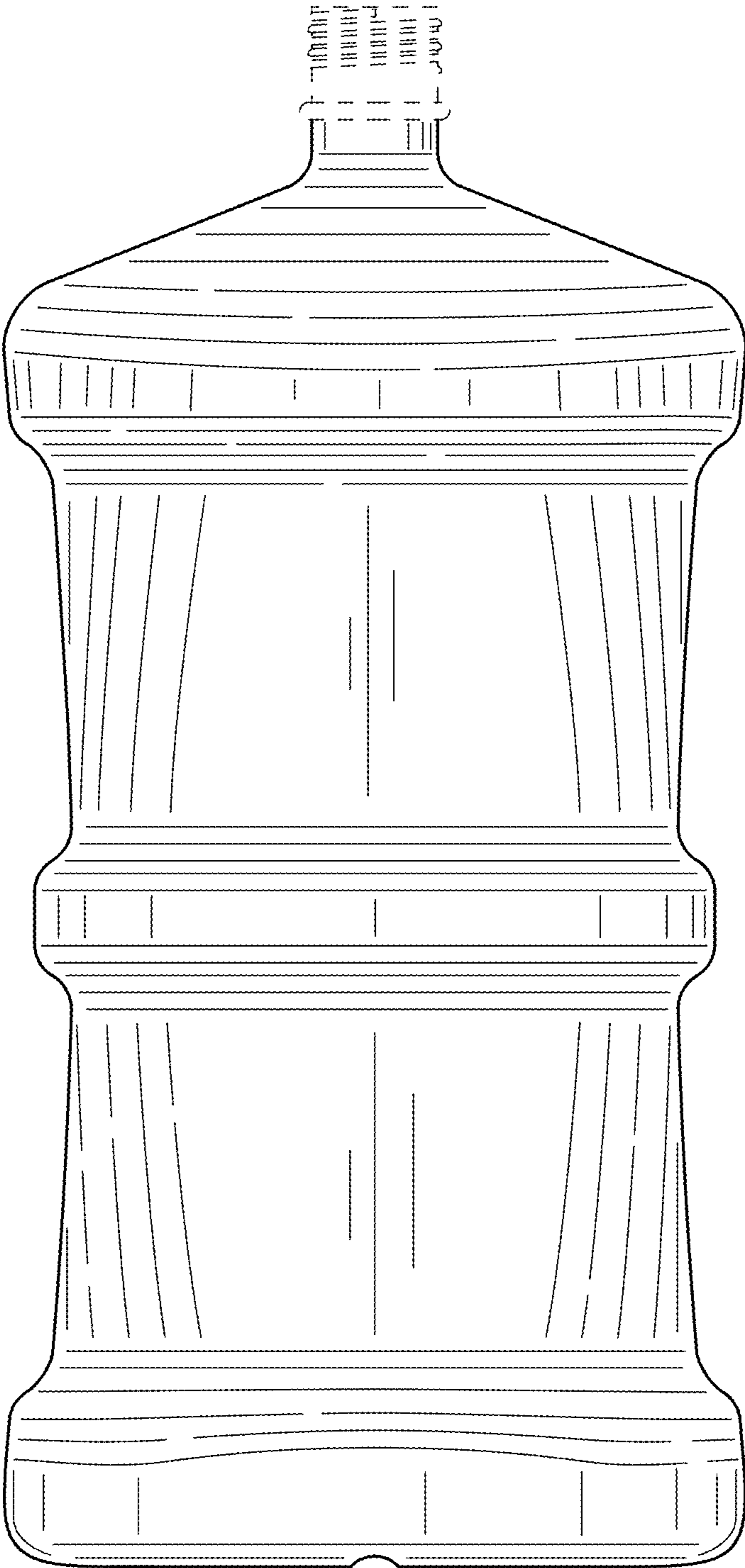


FIG. 5

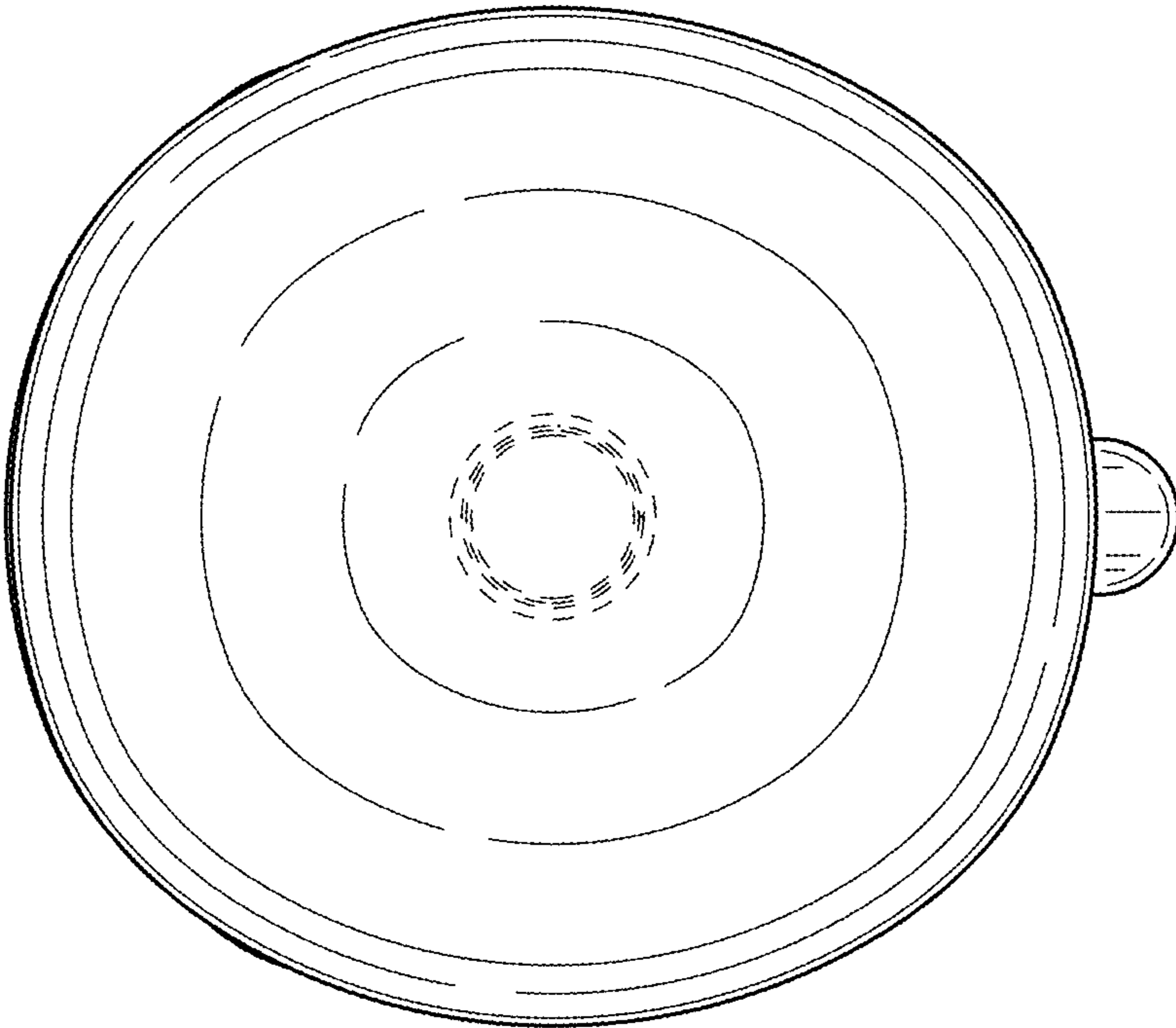


FIG.6

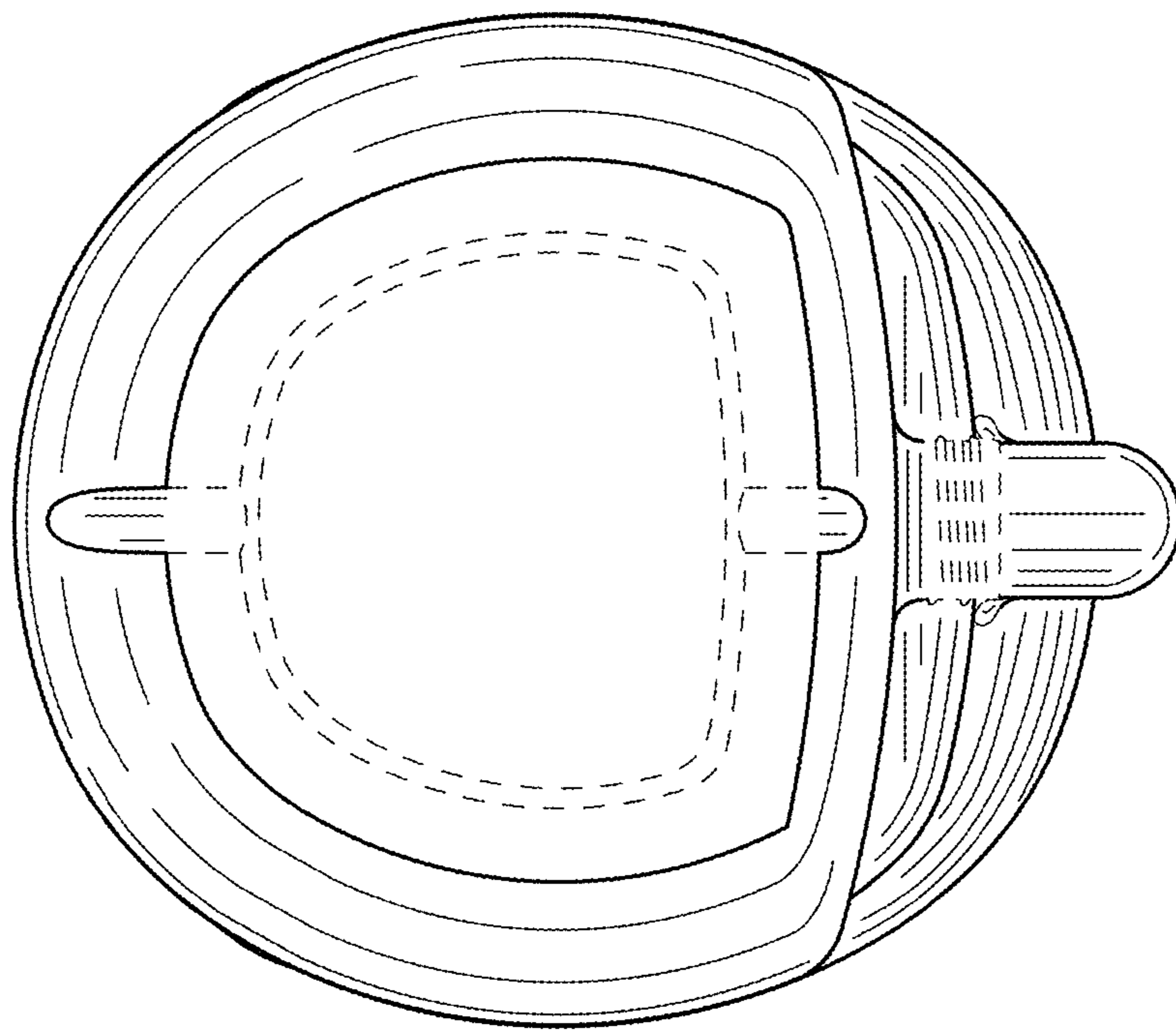


FIG.7