



US00D876166S

(12) **United States Design Patent** (10) **Patent No.:** **US D876,166 S**
Smith (45) **Date of Patent:** **** Feb. 25, 2020**

(54) **CONTAINER FOR FOOD PROCESSOR**

OTHER PUBLICATIONS

(71) Applicant: **SharkNinja Operating LLC**,
Needham, MA (US)

Requirement for Restriction/Election; Blender; U.S. Appl. No. 29/604,189, filed May 16, 2017, Notification Date: Oct. 10, 2017; 33 Pages.

(72) Inventor: **Cory Smith**, Auburndale, MA (US)

(Continued)

(73) Assignee: **SHARKNINJA OPERATING LLC**,
Needham, MA (US)

Primary Examiner — Ricky Pham

(74) *Attorney, Agent, or Firm* — Cantor Colburn LLP

(**) Term: **15 Years**

(57) **CLAIM**

The ornamental design for container for food processor, as shown and described.

(21) Appl. No.: **29/699,919**

(22) Filed: **Jul. 30, 2019**

DESCRIPTION

Related U.S. Application Data

(63) Continuation of application No. 29/673,938, filed on Dec. 18, 2018, now Pat. No. Des. 861,428, which is (Continued)

(51) **LOC (12) Cl.** **31-00**

(52) **U.S. Cl.**
USPC **D7/413**; D7/376; D7/378; D7/412

(58) **Field of Classification Search**
USPC D7/372, 376–386, 412–413, 602, 629, D7/665–666, 669, 679, 693–694 (Continued)

(56) **References Cited**

U.S. PATENT DOCUMENTS

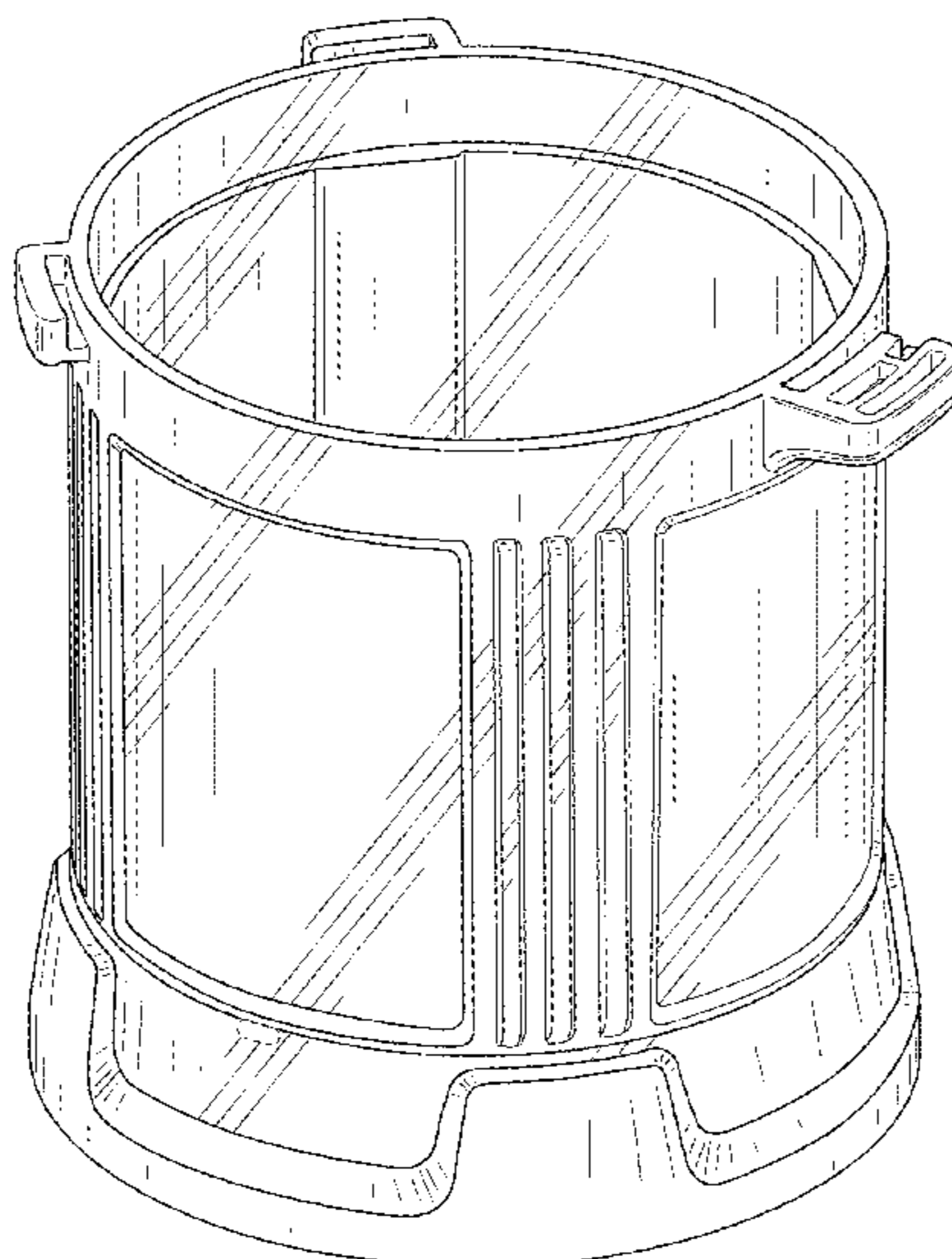
D191,152 S 8/1961 Rawson
D242,208 S 11/1976 Madl et al.
(Continued)

FOREIGN PATENT DOCUMENTS

EM 0013887970002 8/2013
JP 36339330 B2 8/1988
(Continued)

FIG. 1 is a perspective view of a food processor container, showing my new design in a first embodiment; FIG. 2 is a front view of the embodiment shown in FIG. 1; FIG. 3 is a rear view of the embodiment shown in FIG. 1; FIG. 4 is a side view of the embodiment shown in FIG. 1; FIG. 5 is another side view of the embodiment shown in FIG. 1; FIG. 6 is a top view of the embodiment shown in FIG. 1; FIG. 7 is a bottom view of the embodiment shown in FIG. 1; FIG. 8 is a perspective view of a food processor container, showing my new design in another embodiment; FIG. 9 is a front view of the embodiment shown in FIG. 8; FIG. 10 is a rear view of the embodiment shown in FIG. 8; FIG. 11 is a side view of the embodiment shown in FIG. 8; FIG. 12 is another side view of the embodiment shown in FIG. 8; FIG. 13 is a top view of the embodiment shown in FIG. 8; and, FIG. 14 is a bottom view of the embodiment shown in FIG. 8. The broken lines in the figures are for environmental purposes only and form no part of the claimed design. The oblique line shading represents transparent, translucent or reflective surfaces.

1 Claim, 14 Drawing Sheets



Related U.S. Application Data

a continuation of application No. 29/611,681, filed on Jul. 24, 2017, now Pat. No. Des. 840,745.

(58) **Field of Classification Search**

CPC A21C 1/02; A21C 1/04; A23N 1/00; A23N 1/02; A47J 43/04; A47J 43/25; A47J 43/27; A47J 43/042; A47J 43/044; A47J 43/046; A47J 43/075; A47J 43/0722; A47J 43/0727; B01F 3/00; B01F 3/0807; B01F 3/0853; B01F 13/0059; B01F 13/0064; B02C 1/08; B02C 2/04; B02C 4/42; B02C 4/142; B02C 4/143; B02C 4/423; B02C 13/1835; B28C 5/10; B28C 5/12; B28C 5/14; B28C 5/16

See application file for complete search history.

(56) **References Cited**

U.S. PATENT DOCUMENTS

D256,318 S	8/1980	Levin	
D282,620 S *	2/1986	Cavalli	D7/384
D293,195 S *	12/1987	Kim	D7/384
D302,228 S	7/1989	Barrault	
D338,803 S	8/1993	Littmann	
D347,966 S	6/1994	Doggett	
D367,583 S	3/1996	Littmann	
D373,703 S	9/1996	Frisell	
D404,606 S	1/1999	Huang	
D404,607 S	1/1999	Huang	
6,092,922 A	7/2000	Kett et al.	
D444,026 S	6/2001	Chaudeurge	
D445,637 S	7/2001	Feil	
D445,644 S	7/2001	Littmann	
D450,978 S	11/2001	Smith	
D453,662 S	2/2002	Hensel	
D488,344 S	4/2004	Seum et al.	
D499,602 S	12/2004	Feil	
D502,047 S	2/2005	Ledingham et al.	
D512,265 S	12/2005	McCurrach	
D526,531 S	8/2006	Drees et al.	
D530,565 S	10/2006	Grcic	
D532,251 S	11/2006	Kassenaar	
D533,395 S	12/2006	Drees et al.	
D537,674 S	3/2007	Davenport et al.	
D551,915 S	10/2007	Chang Chien	
D552,412 S	10/2007	Steiner	
D552,419 S	10/2007	Picozza et al.	
D553,904 S	10/2007	Romandy	
D567,578 S	4/2008	Chiappetta	
D568,096 S	5/2008	Sun	
D577,537 S	9/2008	Lee	
D587,961 S	3/2009	Lavy	
7,581,668 B2	9/2009	Mally	
D605,462 S	12/2009	Picozza et al.	
D611,760 S	3/2010	Ball	
D615,347 S	5/2010	Garman et al.	
D617,136 S	6/2010	Bock et al.	
D617,145 S	6/2010	Picozza et al.	
D625,141 S	10/2010	Moore	
7,871,195 B2	1/2011	Larsen et al.	
D637,870 S	5/2011	Bock	
D642,857 S	8/2011	Bodum	
D644,480 S	9/2011	Czach et al.	
D645,301 S	9/2011	Tse	
D647,357 S	10/2011	Audette et al.	
D647,367 S	10/2011	Audette et al.	
D647,368 S	10/2011	Audette et al.	
D650,229 S	12/2011	Hensel et al.	
D654,305 S	2/2012	Gursel et al.	
D655,981 S	3/2012	Gursel et al.	
D658,430 S	5/2012	Hoare et al.	
D659,469 S	5/2012	Hoare et al.	
D660,642 S	5/2012	Boozer et al.	
D661,548 S	6/2012	Brinckerhoff et al.	

D667,259 S	9/2012	Lee et al.	
D667,260 S	9/2012	Lee et al.	
D667,261 S	9/2012	Lee et al.	
D668,100 S	10/2012	Palermo et al.	
D674,235 S	1/2013	Lee et al.	
D674,658 S	1/2013	Fouquet	
D677,976 S	3/2013	Palermo et al.	
D690,152 S	9/2013	Palermo et al.	
D694,573 S	12/2013	Norland et al.	
D694,574 S	12/2013	Norland et al.	
D694,582 S	12/2013	Norland	
D694,583 S	12/2013	Norland	
D695,060 S	12/2013	Penaherrera et al.	
D696,063 S	12/2013	Coakley et al.	
D702,078 S	4/2014	Coakley et al.	
D704,502 S	5/2014	Coakley et al.	
D708,007 S	7/2014	Lazzer	
D711,688 S	8/2014	Prats	
D730,681 S	6/2015	Smith et al.	
D730,682 S	6/2015	Tu	
D730,683 S	6/2015	Tu	
D731,234 S	6/2015	Weaden et al.	
D731,850 S	6/2015	Smith	
D733,488 S	7/2015	Tu	
D745,316 S	12/2015	Usmar	
D745,317 S	12/2015	Dichraff et al.	
9,265,381 B2	2/2016	Beber et al.	
D755,003 S	5/2016	Palermo et al.	
D758,126 S	6/2016	Benoit et al.	
D761,617 S	7/2016	Dennisur et al.	
D765,462 S	9/2016	Davies	
D765,465 S	9/2016	Du	
D766,649 S	9/2016	Suzuki	
9,439,538 B2	9/2016	Paget	
D771,999 S	11/2016	Kettavong et al.	
D772,011 S	11/2016	Barquin et al.	
D772,650 S	11/2016	Barquin et al.	
D773,247 S	12/2016	Barquin et al.	
D773,248 S	12/2016	Barquin et al.	
D773,249 S	12/2016	Barquin et al.	
D777,515 S	1/2017	Potter et al.	
D778,665 S	2/2017	Barquin et al.	
D779,265 S	2/2017	Barquin et al.	
D780,507 S	3/2017	Barquin et al.	
D783,340 S	4/2017	Palermo et al.	
D783,355 S	4/2017	Tu	
D784,069 S	4/2017	Blaise	
D786,613 S	5/2017	McConnell et al.	
D786,614 S	5/2017	Smith et al.	
D786,615 S	5/2017	Tsai	
D787,882 S	5/2017	McConnell et al.	
D787,883 S	5/2017	Tu	
D788,520 S	6/2017	Blaise	
D789,735 S	6/2017	Palermo et al.	
D789,736 S	6/2017	Palermo et al.	
9,675,212 B2	6/2017	Hewitt et al.	
D793,153 S	8/2017	Tu	
D794,384 S	8/2017	Lee	
D795,005 S	8/2017	Coakley et al.	
D797,496 S	9/2017	Gee, II et al.	
D797,505 S	9/2017	Tu	
D807,118 S	1/2018	Kettavong et al.	
D808,718 S	1/2018	Coakley	
D808,719 S	1/2018	Coakley	
9,855,535 B2	1/2018	Arnett et al.	
D809,333 S	2/2018	Lee	
D809,334 S	2/2018	Lee	
D809,342 S	2/2018	Coakley	
D811,166 S	2/2018	Smith	
D811,804 S *	3/2018	Smith	D7/384
D811,805 S *	3/2018	Smith	D7/384
D811,806 S	3/2018	Bock	
D812,963 S *	3/2018	Smith	D7/384
D812,964 S	3/2018	Tu	
D813,603 S	3/2018	Tu	
D818,308 S	5/2018	Smith	
D821,806 S	7/2018	Coakley et al.	
D823,637 S	7/2018	Coakley	
D830,115 S	10/2018	Gee, II et al.	

(56)

References Cited

U.S. PATENT DOCUMENTS

D832,029	S	10/2018	Gee, II et al.	
D840,745	S *	2/2019	Smith	D7/384
D844,370	S	4/2019	Gee et al.	
D846,338	S	4/2019	Smith et al.	
D846,341	S *	4/2019	Smith	D7/384
D846,342	S *	4/2019	Smith	D7/384
D846,350	S *	4/2019	Smith	D7/413
D846,351	S *	4/2019	Smith	D7/413
D847,559	S	5/2019	Coakley et al.	
2008/0089170	A1	4/2008	Larsen et al.	
2008/0089171	A1	4/2008	Larsen et al.	
2008/0219089	A1	9/2008	Sandford et al.	
2009/0129200	A1	5/2009	Breviere et al.	
2010/0246319	A1	9/2010	Pryor, Jr. et al.	
2014/0247686	A1	9/2014	Arnett et al.	
2016/0220071	A1	8/2016	Hewitt et al.	
2016/0331182	A1	11/2016	Golino	

FOREIGN PATENT DOCUMENTS

JP	D1491536	S	3/2014
JP	D1488258	S	1/2015
JP	D1533047	S	9/2015
JP	D1545614	S	3/2016
JP	D1592330	S	12/2017
JP	D1592331	S	12/2017
JP	D1603847	S	5/2018
JP	D1603848	S	5/2018
KR	300382339	S	5/2005
KR	300398683	S	11/2005

OTHER PUBLICATIONS

Requirement for Restriction/Election; Food Processor and Parts Thereof; U.S. Appl. No. 29/611,684, filed Jul. 24, 2017; 1-50 Pages.
 Requirement for Restriction/Election; Food Processor and Parts Thereof; U.S. Appl. No. 29/611,685, filed Jul. 24, 2017; 1-50 Pages.
 Requirement for Restriction/Election; Food Processor and Parts Thereof; U.S. Appl. No. 29/633,798, filed Jan. 16, 2018; 1-20 Pages.
 Requirement for Restriction/Election; Food Processor and Parts Thereof; U.S. Appl. No. 29/634,264, filed Jan. 19, 2018; 1-20 Pages.
 Requirement for Restriction/Election; Food Processor and Parts Thereof; U.S. Appl. No. 29/637,154, filed Feb. 14, 2018; 1-21 Pages.
 Requirement for Restriction/Election; U.S. Appl. No. 29/576,018, filed Aug. 31, 2016; Food Processor and Parts Thereof; Notification Date: Jul. 6, 2017; 7 Pages.
 Requirement for Restriction/Election; U.S. Appl. No. 29/576,020, filed Aug. 31, 2016; Food Processor and Parts Thereof; Notification Date: Jul. 5, 2017; 7 Pages.
 Requirement for Restriction/Election; U.S. Appl. No. 29/576,021, filed Aug. 31, 2016; Food Processor and Parts Thereof; Notification Date: Jul. 6, 2017; 7 Pages.
 Walmart; "Oster 600-Watt Fusion Blender, BRLY07-B00-00"; URL: <http://www.walmart.com/ip/Oster-600-Watt-Fusion-Blender/9604653>; URL Accessed: Jul. 29, 2016; 8 Pages.
 WMF Württembergische Metallwarenfabrik; 61 3024 5401; JPO Publicly Known Design No. HJ26034868; Listed in Notice of Allowance Received in JP Appln. No. 2017-019764, dated Mar. 9, 2018; 3 Pages.
 Notice of Allowance; Blender Base; U.S. Appl. No. 29/685,512, filed Mar. 28, 2019; dated Jun. 26, 2019; 1-41 Pages.
 Design No. 28449; Soviet Design Gazette; vol. 3; Published: Sep. 15, 1990; pp. 180-181.
 Japanese Design No. D1491535 (S); Publication Date: Mar. 3, 2014; Machine Translation; 9 Pages.
 Japanese Design No. D1491536 (S); Publication Date: Mar. 3, 2014; Machine Translation; 9 Pages.
 Japanese Design No. D1518840 (S); Publication Date: Mar. 9, 2015; Machine Translation; 10 Pages.

Japanese Design No. D1523840 (S); Publication Date: May 18, 2015; Machine Translation; 9 Pages.
 Japanese Design No. D1528172 (S); Publication Date: Jul. 6, 2015; Machine Translation; 9 Pages.
 Japanese Design No. D1533047 (S); Publication Date: Sep. 7, 2015; Machine Translation; 9 Pages.
 Japanese Design No. D1545614 (S); Publication Date: Mar. 14, 2016; Machine Translation; 6 Pages.
 Japanese Design No. D1592330 (S); Publication Date: Dec. 4, 2017; Machine Translation; 14 Pages.
 Japanese Design No. D1592331 (S); Publication Date: Dec. 4, 2017; Machine Translation; 14 Pages.
 JP Notice of Allowance with English Translation; Japanese Design Application No. 2018-1279; dated Sep. 28, 2018; pp. 1-6.
 JP Notice of Allowance with English Translation; Japanese Design Application No. 2018-1280; dated Sep. 28, 2018; pp. 1-6.
 JP Notice of Allowance with English Translation; Japanese Design Application No. 2018-1281; dated Sep. 28, 2018; pp. 1-6.
 JP Notice of Allowance with English Translation; Japanese Design Application No. 2018-1282; dated Sep. 28, 2018; pp. 1-6.
 JP Notice of Allowance with English Translation; Japanese Design Application No. 2018-1284; dated Sep. 28, 2018; pp. 1-6.
 JP Notice of Allowance with English Translation; Japanese Design Application No. 2018-1285; dated Sep. 28, 2018; pp. 1-6.
 JP Notice of Allowance with English Translation; Japanese Design Application No. 2018-1286; dated Sep. 28, 2018; pp. 1-6.
 JP Notice of Allowance with English Translation; Japanese Design Application No. 2018-1287; dated Sep. 28, 2018; pp. 1-6.
 JP Notice of Allowance with English Translation; Japanese Design Application No. 2018-1289; dated Sep. 28, 2018; pp. 1-6.
 JP Notice of Allowance with English Translation; Japanese Design Application No. 2018-1292; dated Sep. 28, 2018; pp. 1-6.
 JP Notice of Allowance with English Translation; Japanese Design Application No. 2018-1293; dated Sep. 28, 2018; pp. 1-6.
 JP Notice of Allowance with English Translation; Japanese Design Application No. 2018-1295; dated Sep. 28, 2018; pp. 1-6.
 JP Notice of Allowance with English Translation; Japanese Design Application No. 2018-1296; dated Sep. 28, 2018; pp. 1-6.
 JP Notice of Allowance with English Translation; Japanese Design Application No. 2018-1297; dated Sep. 28, 2018; pp. 1-6.
 JP Notice of Allowance with English Translation; Japanese Design Application No. 2018-1298; dated Sep. 28, 2018; pp. 1-6.
 JP Notice of Allowance with English Translation; Japanese Design Application No. 2018-6518; dated Sep. 28, 2018; pp. 1-6.
 Notice of Allowance; Blender Base; U.S. Appl. No. 29/531,840, filed Jun. 30, 2015; Notification Date: Nov. 25, 2016; 11 Pages.
 Notice of Allowance; Blender Base; U.S. Appl. No. 29/531,840, filed Jun. 30, 2015; Notification Date: Feb. 16, 2017; 11 Pages.
 Notice of Allowance; Blender; U.S. Appl. No. 29/519,682, filed Mar. 6, 2015; Notification Date: Sep. 23, 2016; 12 Pages.
 Notice of Allowance; Blender; U.S. Appl. No. 29/527,670, filed May 21, 2015; Notification Date: Sep. 27, 2016; 12 Pages.
 Notice of Allowance; Food Processor and Parts Thereof; U.S. Appl. No. 29/673,938, filed Dec. 18, 2018; dated May 1, 2019; 1-29 Pages.
 Notice of Allowance; Food Processor and Parts Thereof; U.S. Appl. No. 29/611,681, filed Jul. 24, 2017; Notification Date: Sep. 21, 2018; 1-56 Pages.
 Notice of Allowance; U.S. Appl. No. 29/519,682, filed Mar. 6, 2015; Blender; Notification Date: Jan. 9, 2017; 11 Pages.
 Notice of Allowance; U.S. Appl. No. 29/527,670, filed May 21, 2015; Blender; Notification Date: Jan. 9, 2017; 11 Pages.
 Notice of Allowance; U.S. Appl. No. 29/600,126, filed Apr. 10, 2017; Blender; Notification Date: Nov. 15, 2017; 21 Pages.
 Notice of References; Japanese Design Application No. 2015-19809; dated Jan. 8, 2016; 2 Pages.
 Notice of References; Japanese Design Application No. 2015-19810; dated Jan. 8, 2016; 2 Pages.
 Notice of References; Japanese Design Application No. 2015-19811, dated Jan. 8, 2016; 2 Pages.
 Notice of References; Japanese Design Application No. 2015-19812; dated Jan. 8, 2016; 2 Pages.

(56)

References Cited

OTHER PUBLICATIONS

Notice of References; Japanese Design Application No. 2015-19813; dated Jan. 8, 2016; 2 Pages.

Notice of References; Japanese Design Application No. 2015-19814; dated Jan. 8, 2016; 2 Pages.

Notice of References; Japanese Design Application No. 2015-19815; dated Jan. 8, 2016; 2 Pages.

Notice of References; Japanese Design Application No. 2015-19816; dated Jan. 8, 2016; 2 Pages.

Notice of References; Japanese Design Application No. 2015-19817; dated Jan. 8, 2016; 2 Pages.

Requirement for Restriction/Election; Blender Base; U.S. Appl. No. 29/653,896, filed Jun. 19, 2018; 1-31 Pages.

Requirement for Restriction/Election; Blender; U.S. Appl. No. 29/519,682, filed Mar. 6, 2015; 6 Pages.

Requirement for Restriction/Election; Blender; U.S. Appl. No. 29/527,670, filed May 21, 2015; 6 Pages.

Requirement for Restriction/Election; Blender; U.S. Appl. No. 29/531,840, filed Jun. 30, 2015; 7 Pages.

Requirement for Restriction/Election; Blender; U.S. Appl. No. 29/600,129, filed Apr. 10, 2017; Notification Date: Oct. 10, 2017; 30 Pages.

* cited by examiner

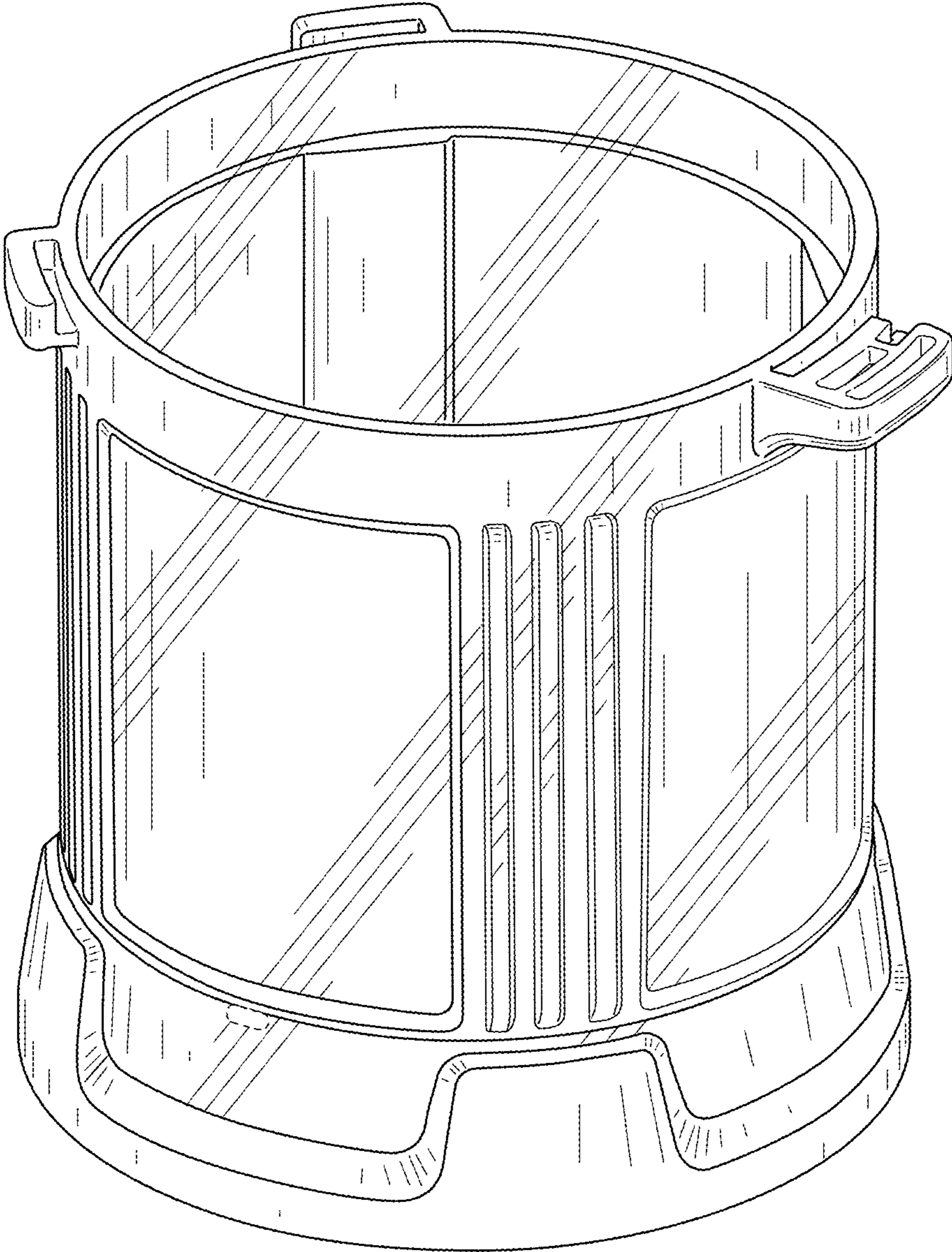


FIG. 1

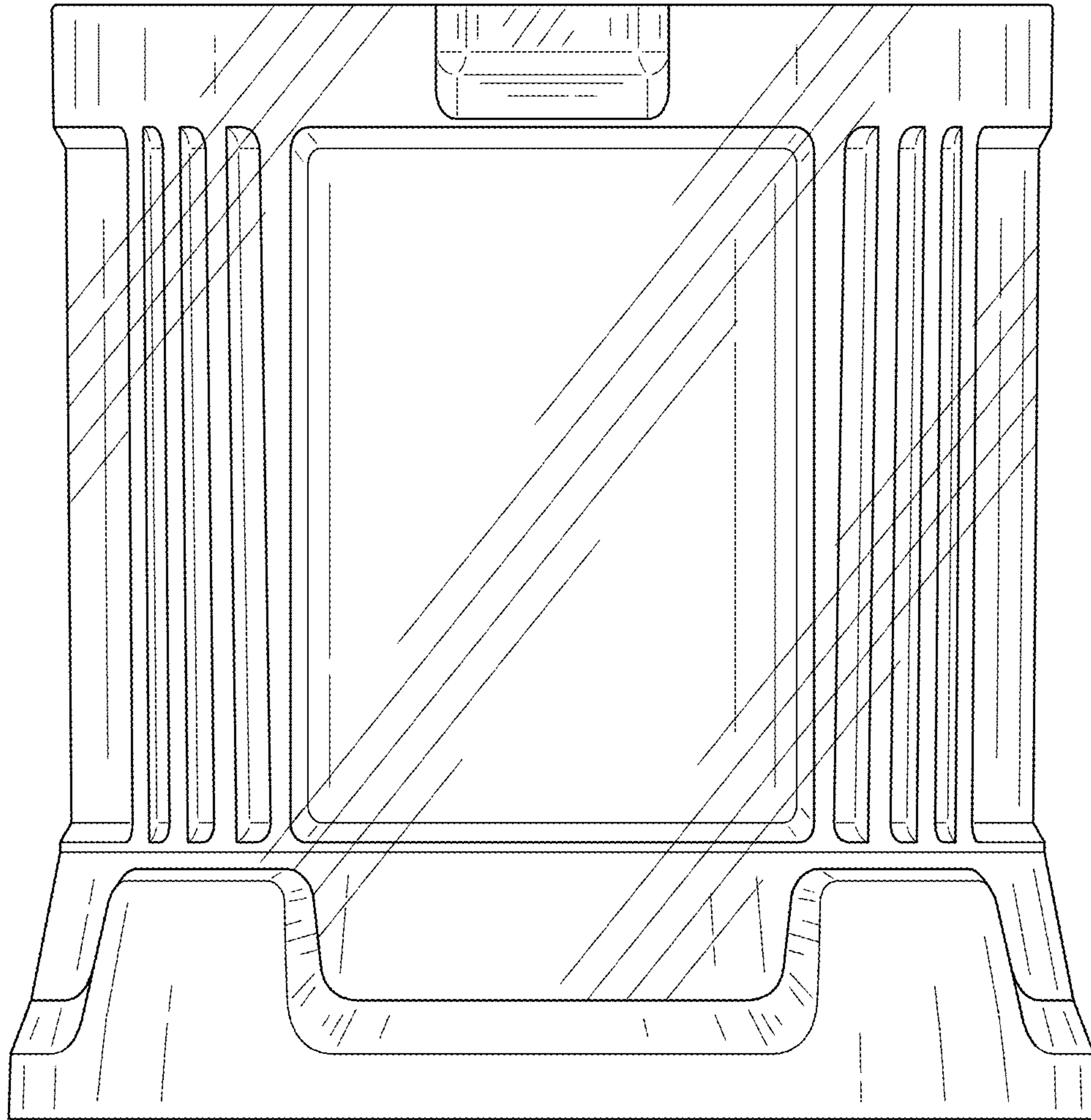


FIG. 2

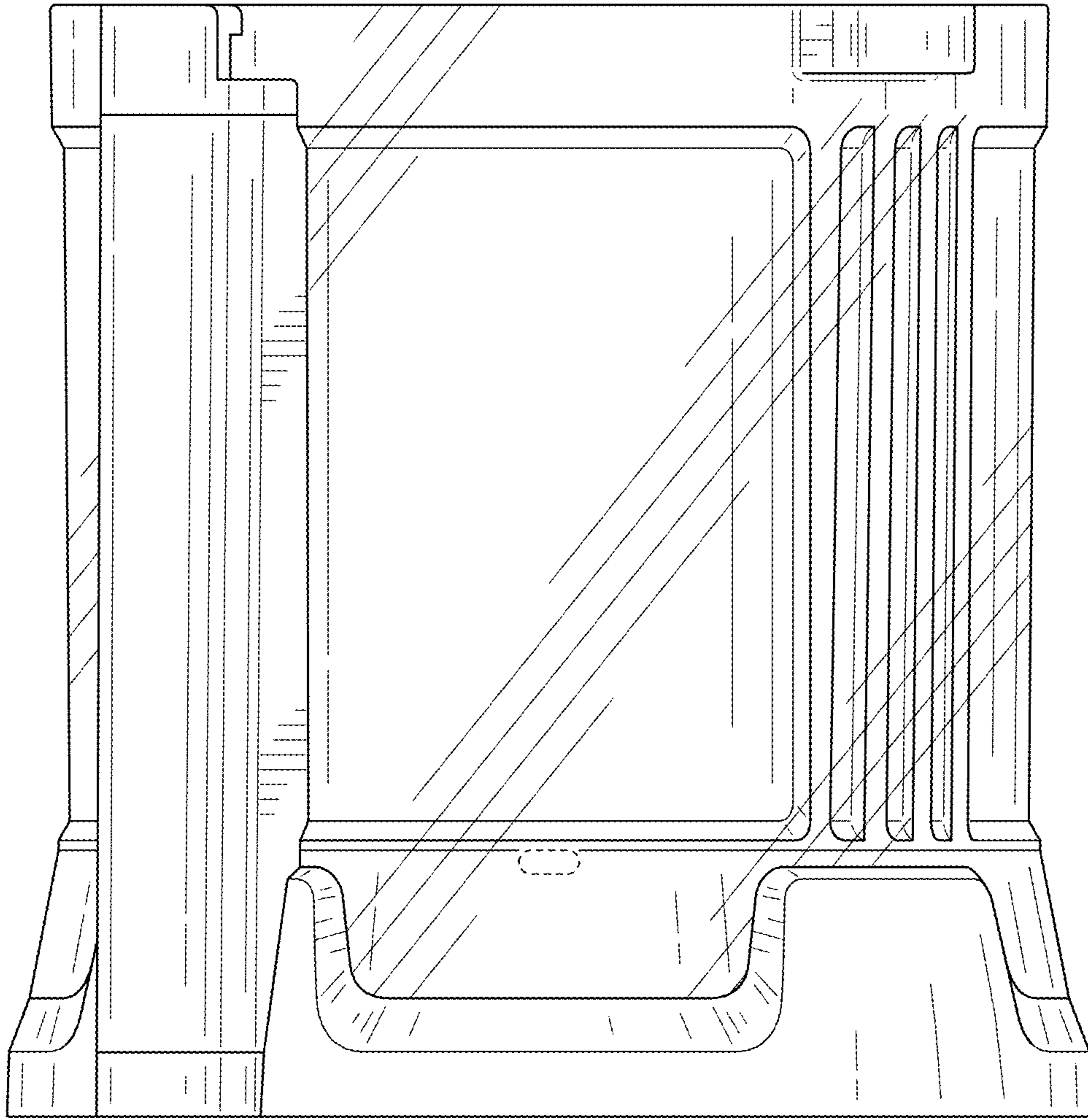


FIG. 3

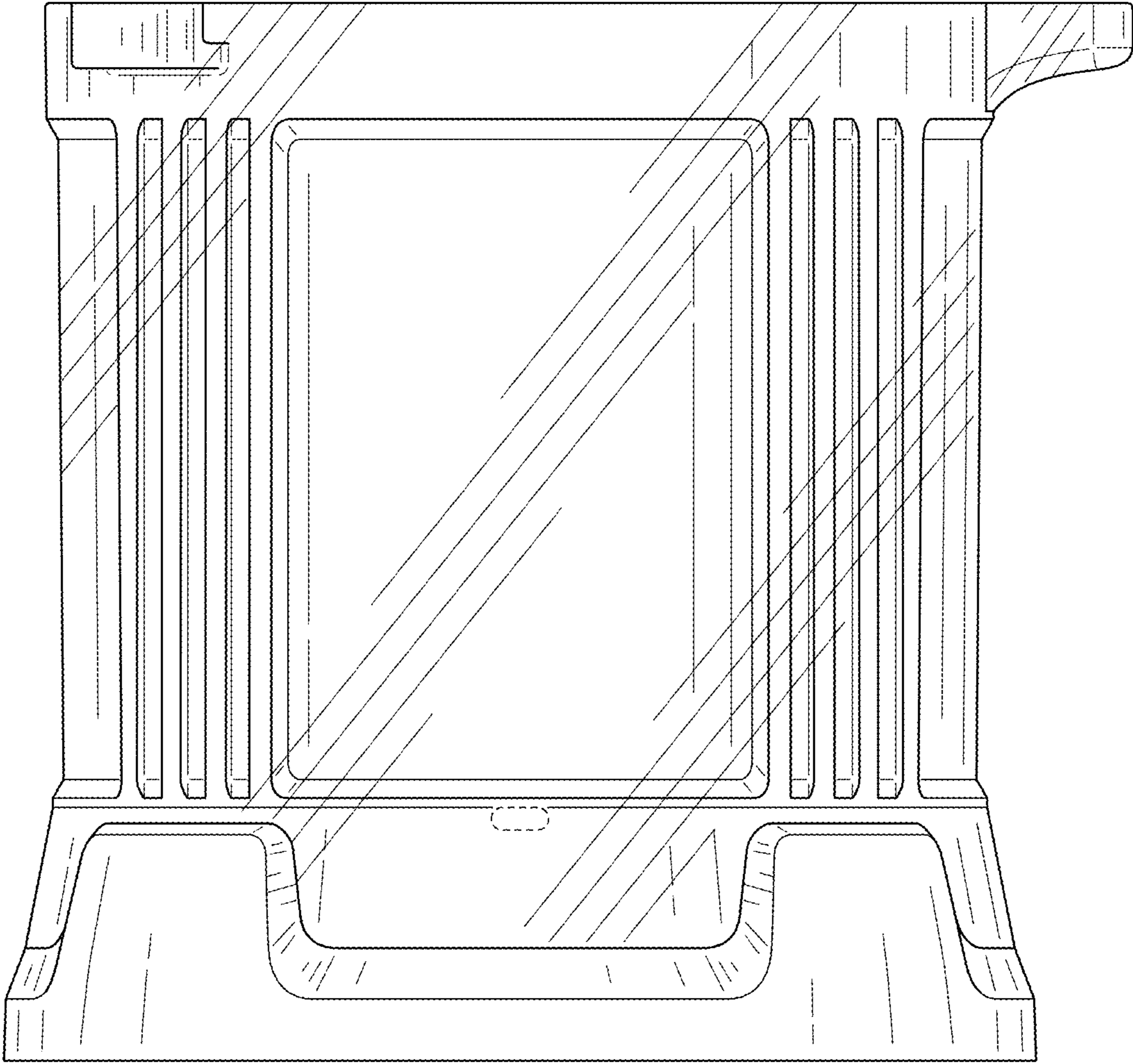


FIG. 4

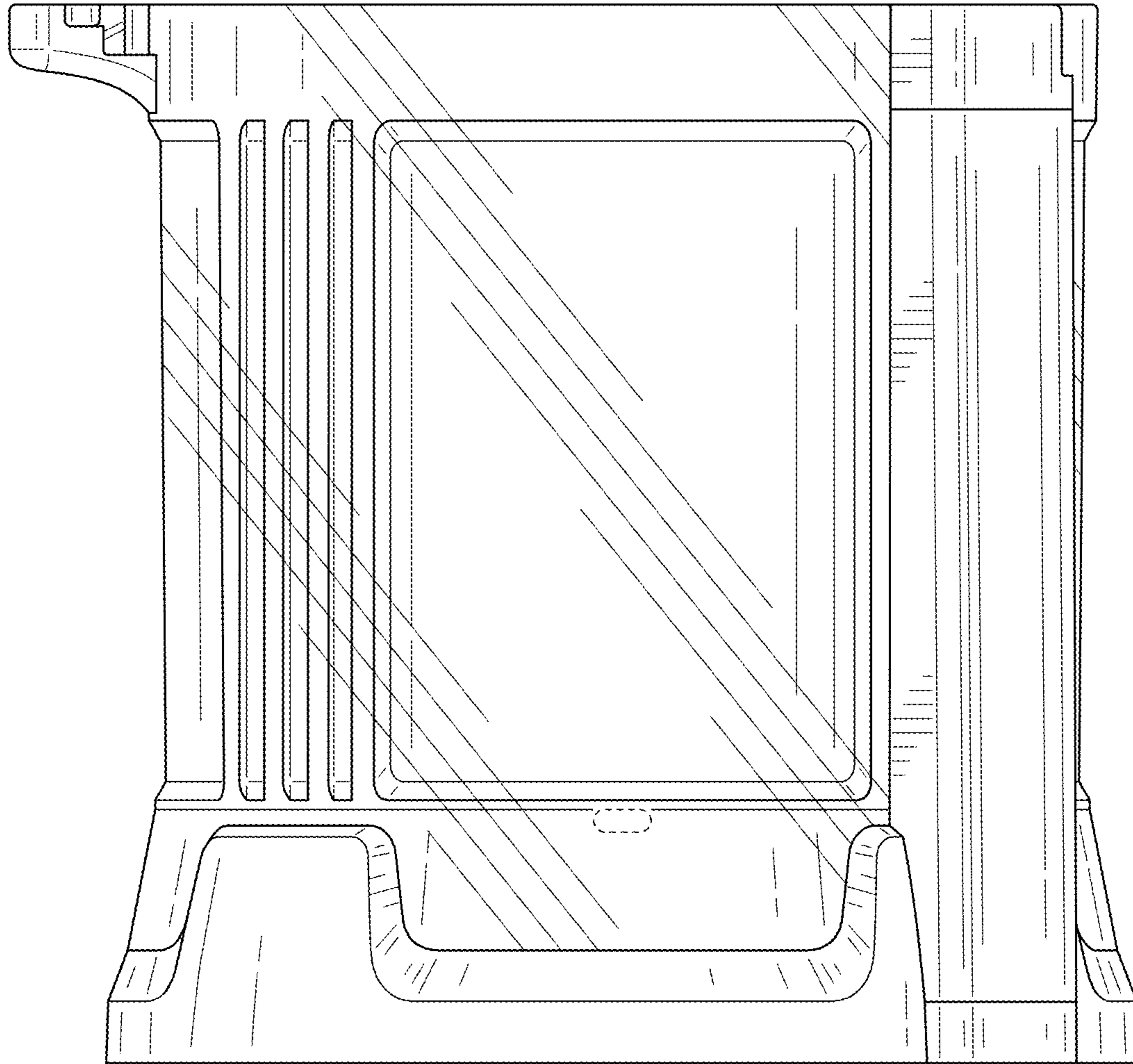


FIG. 5

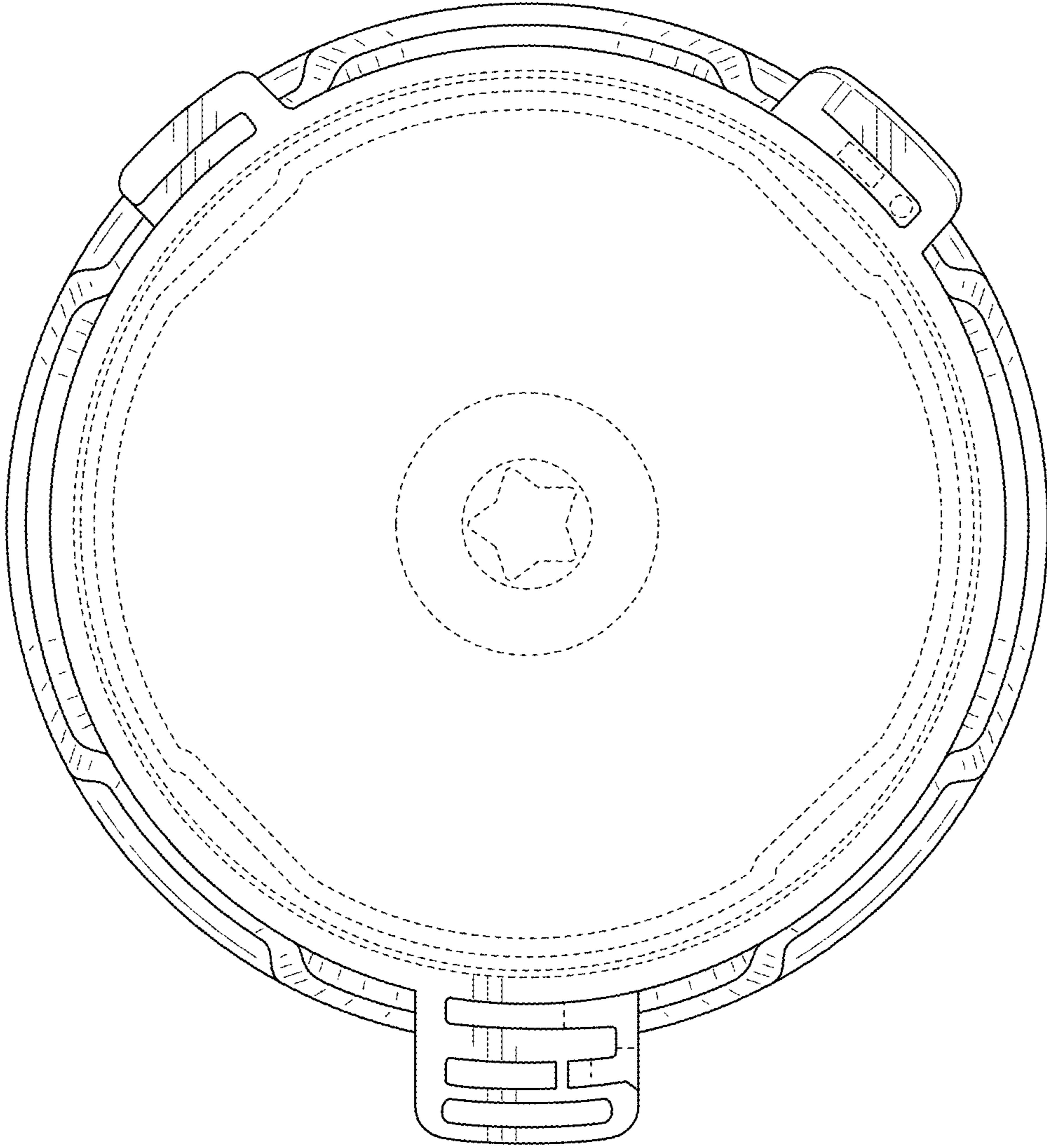


FIG. 6

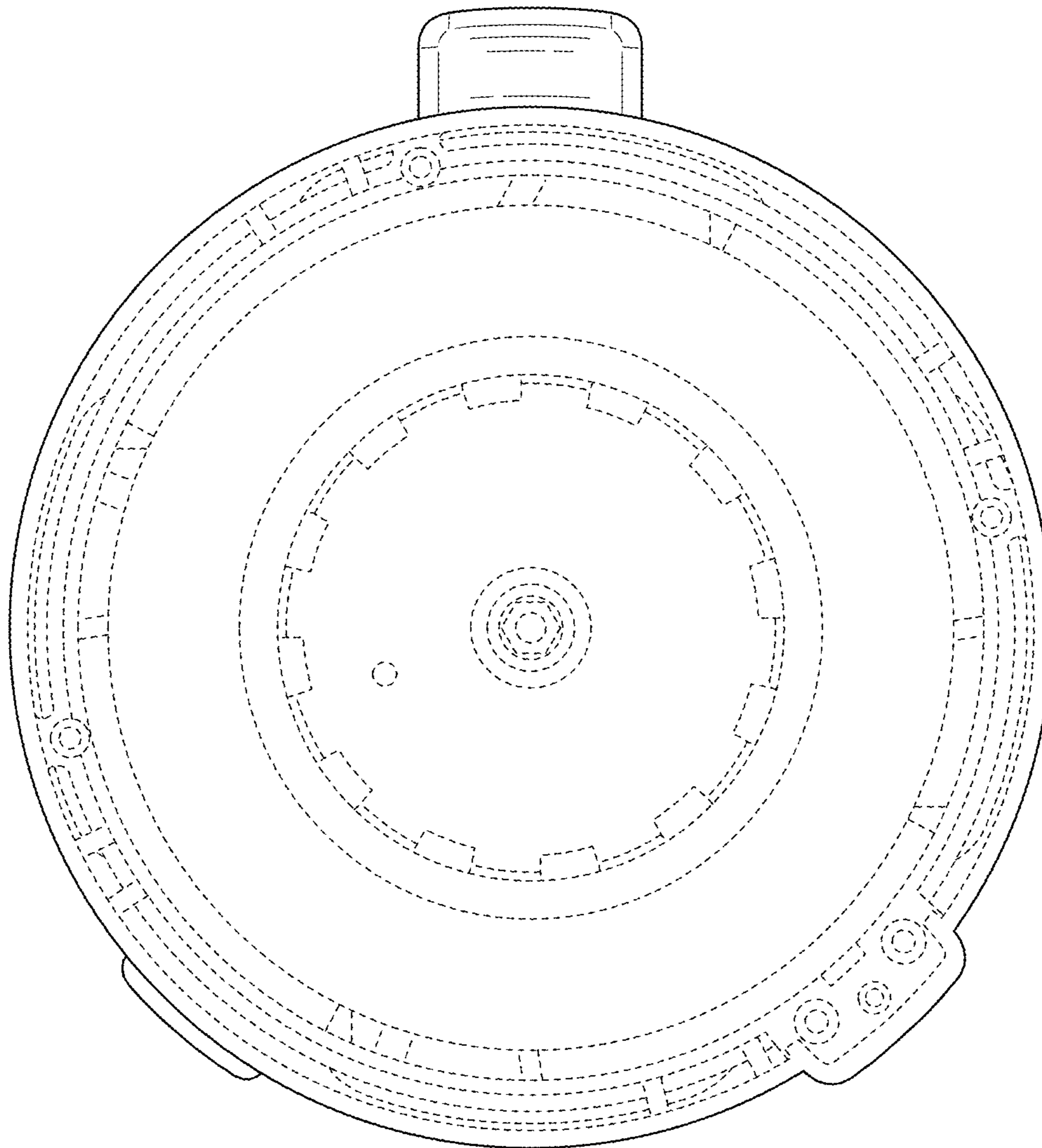


FIG. 7

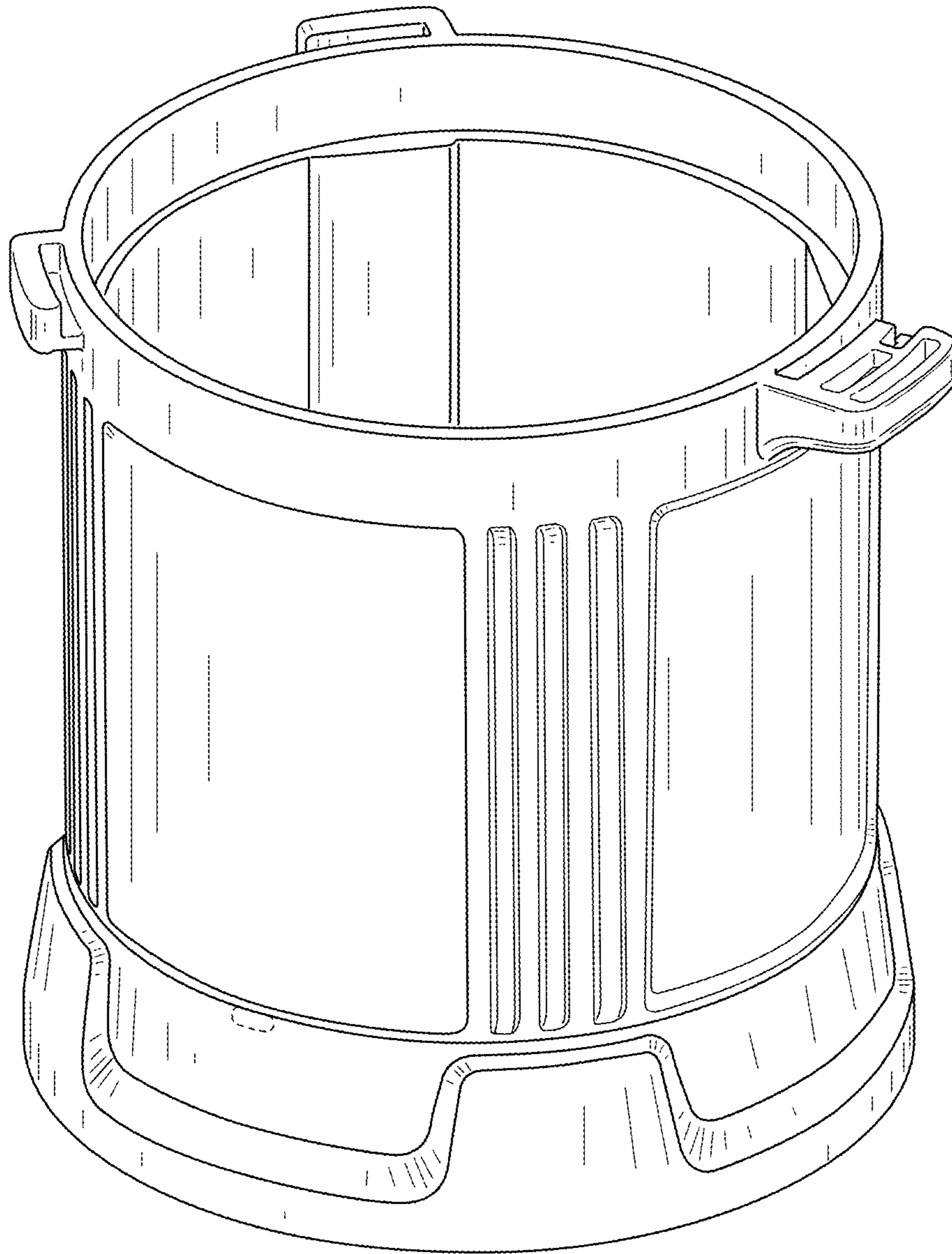


FIG. 8

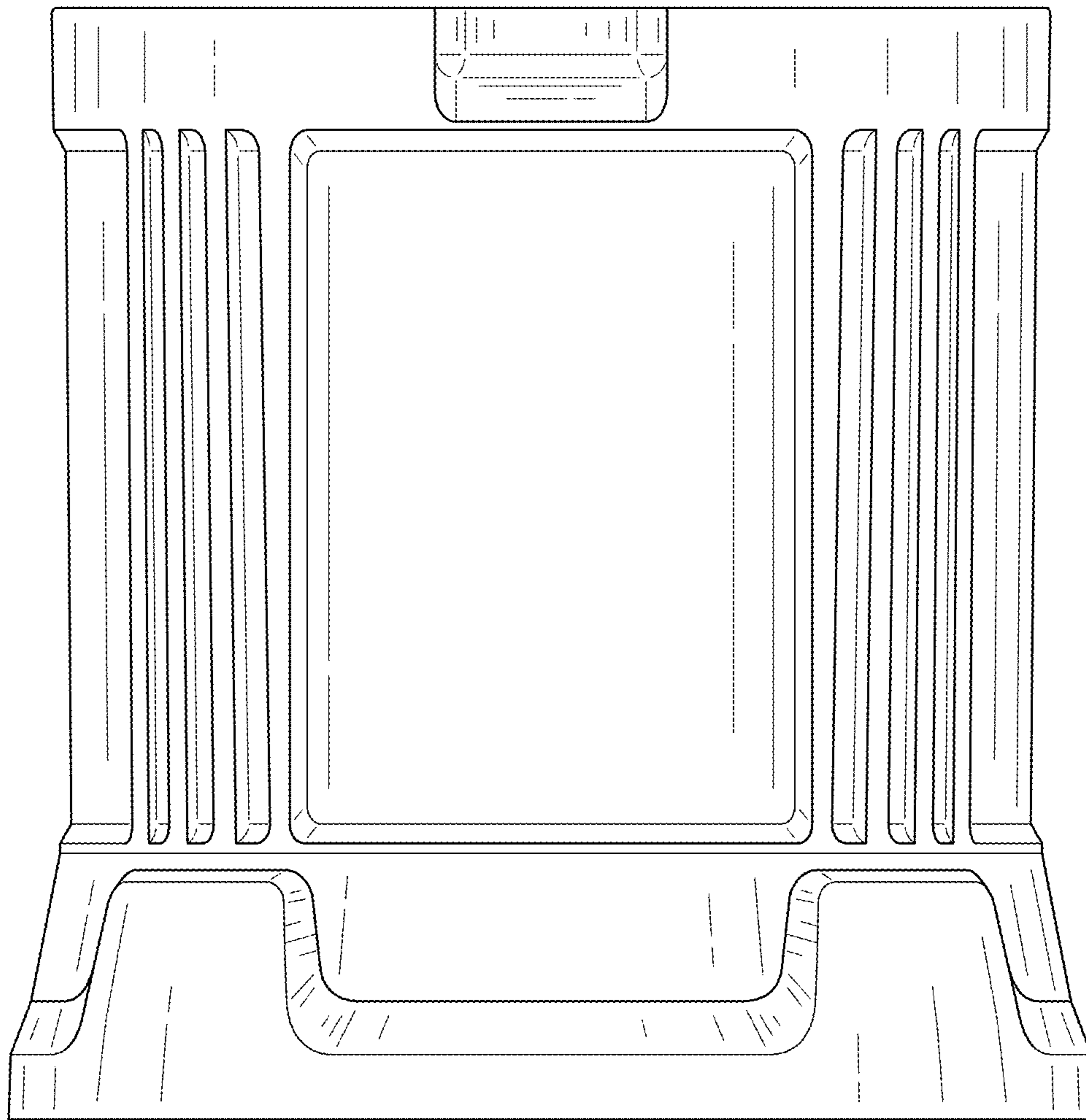


FIG. 9

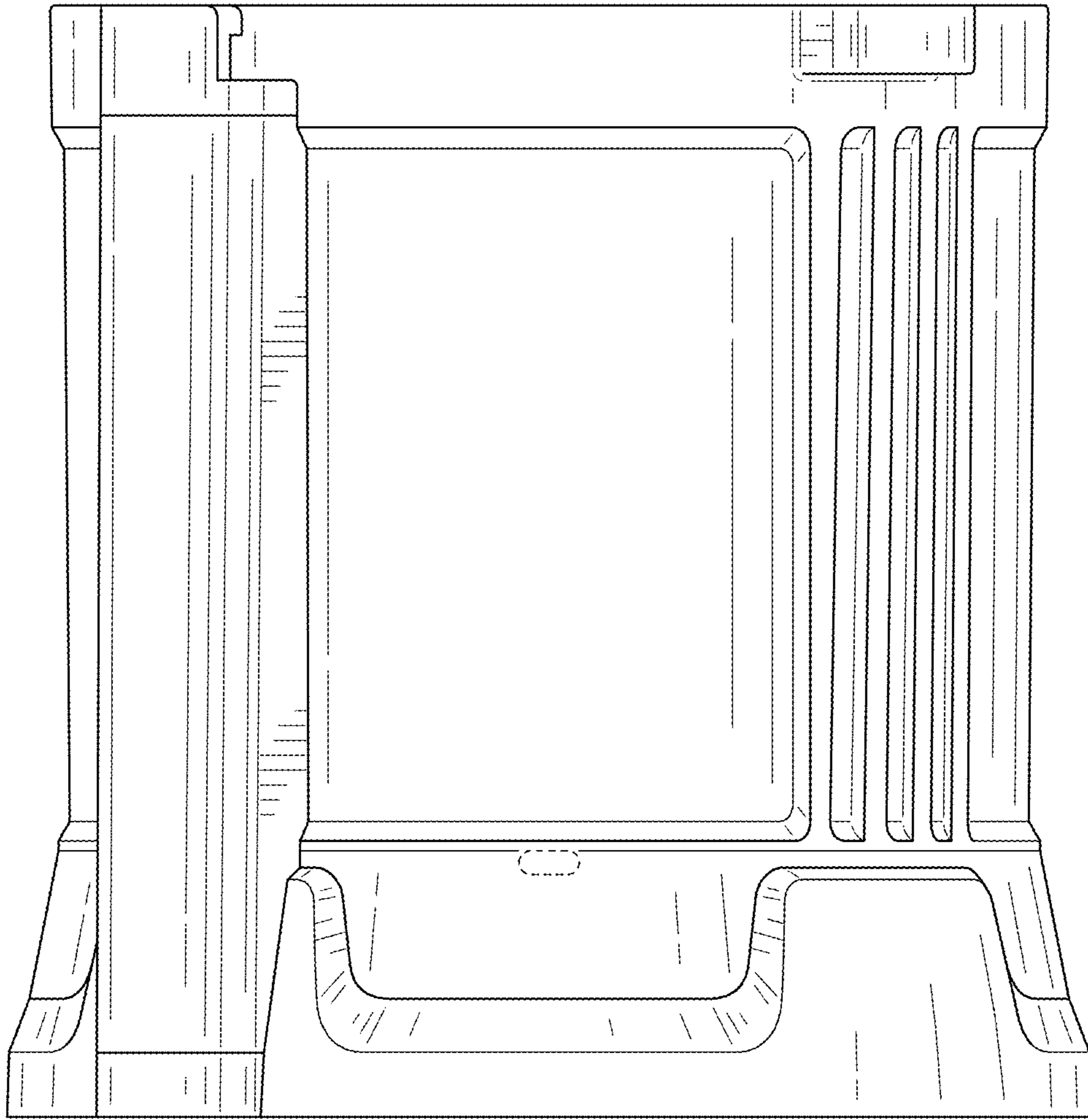


FIG. 10

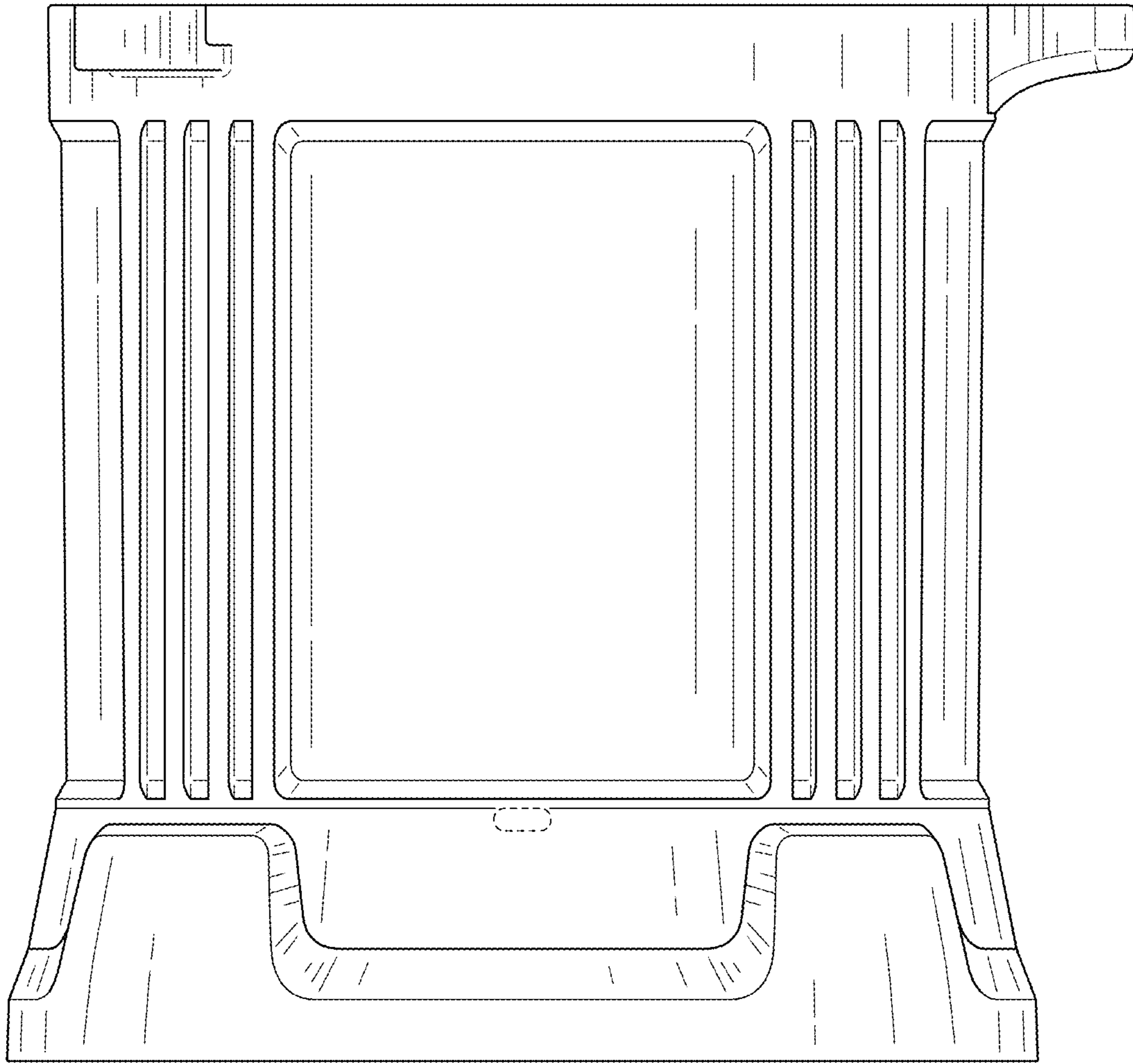


FIG. 11

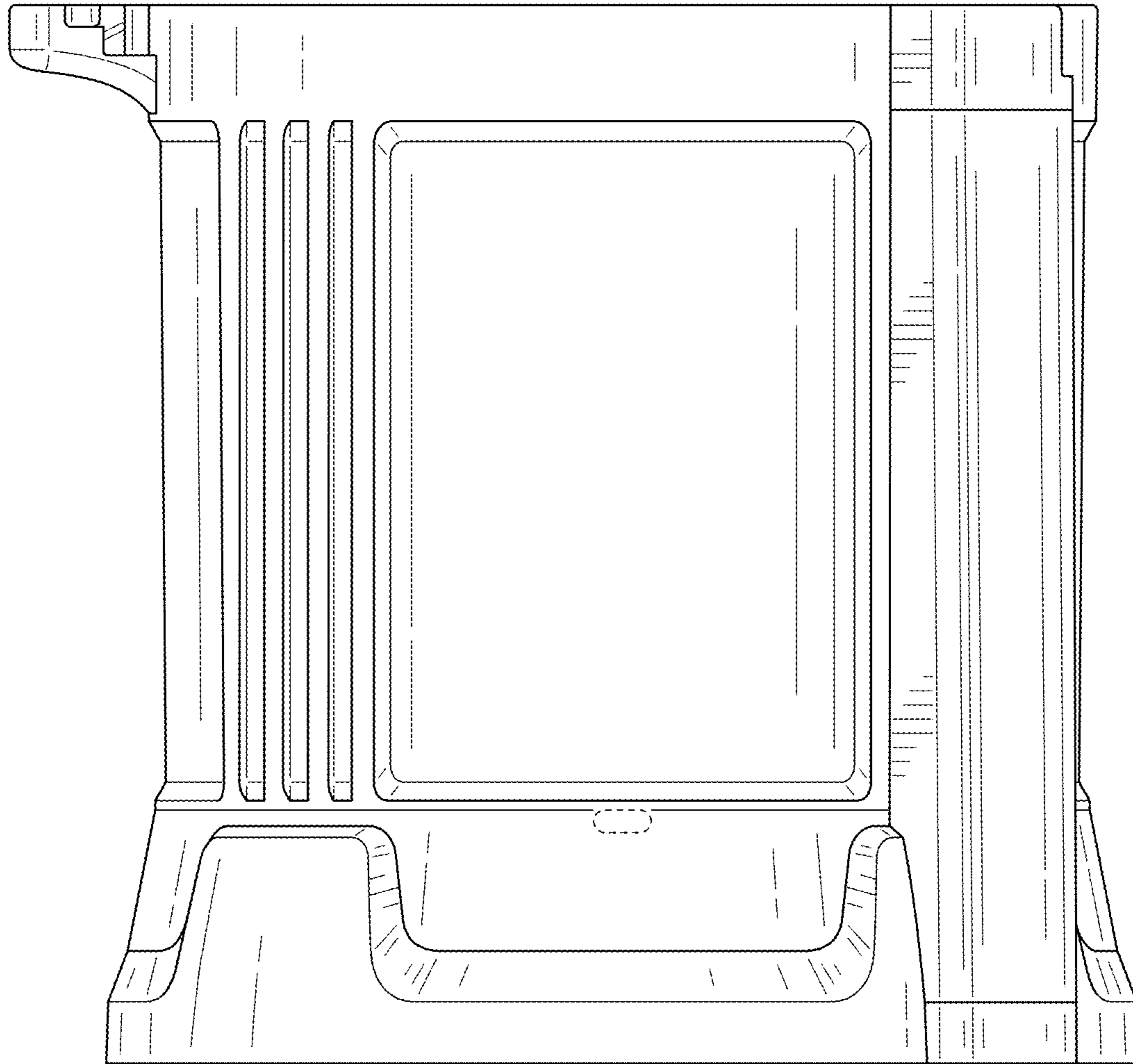


FIG. 12

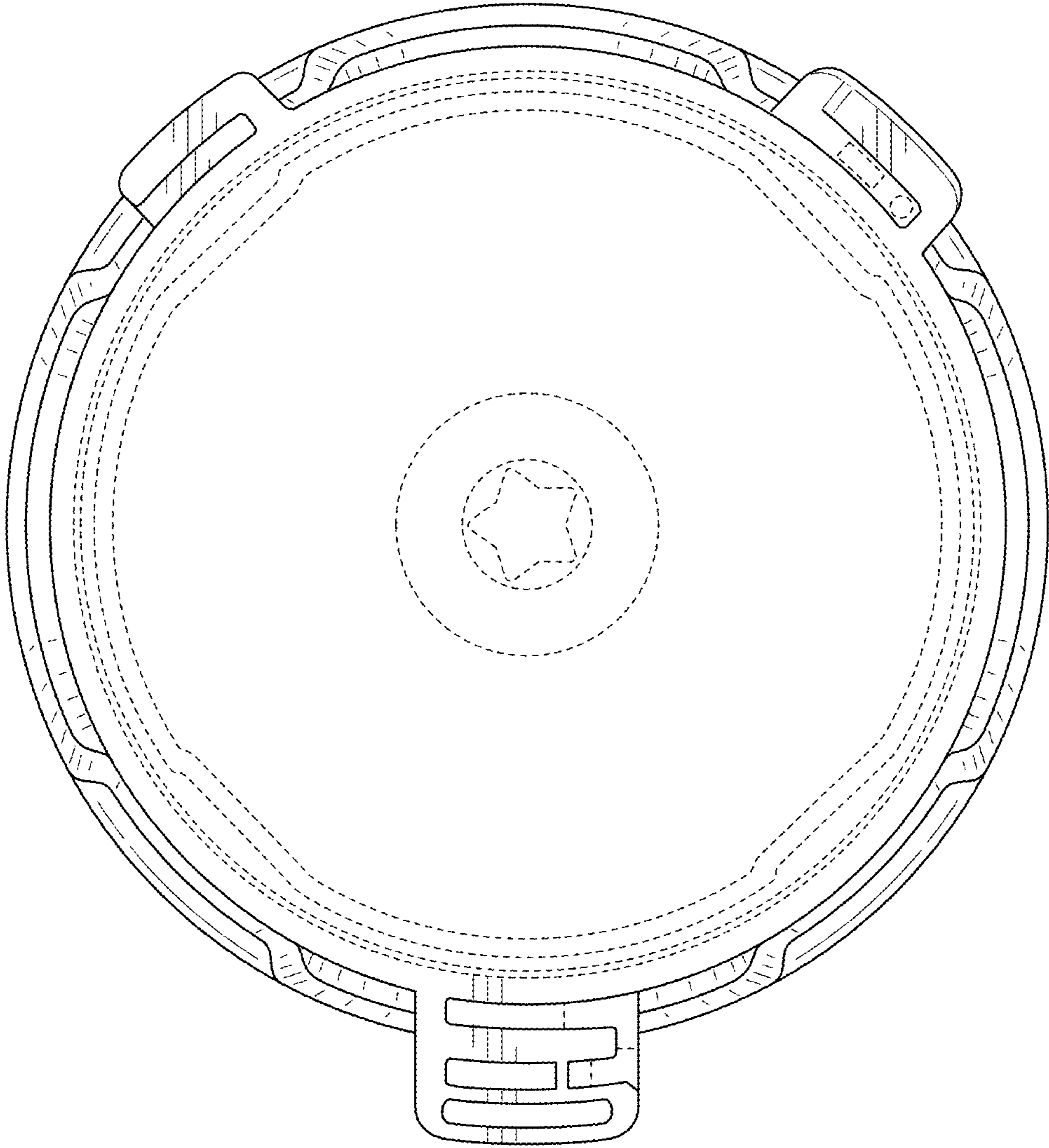


FIG. 13

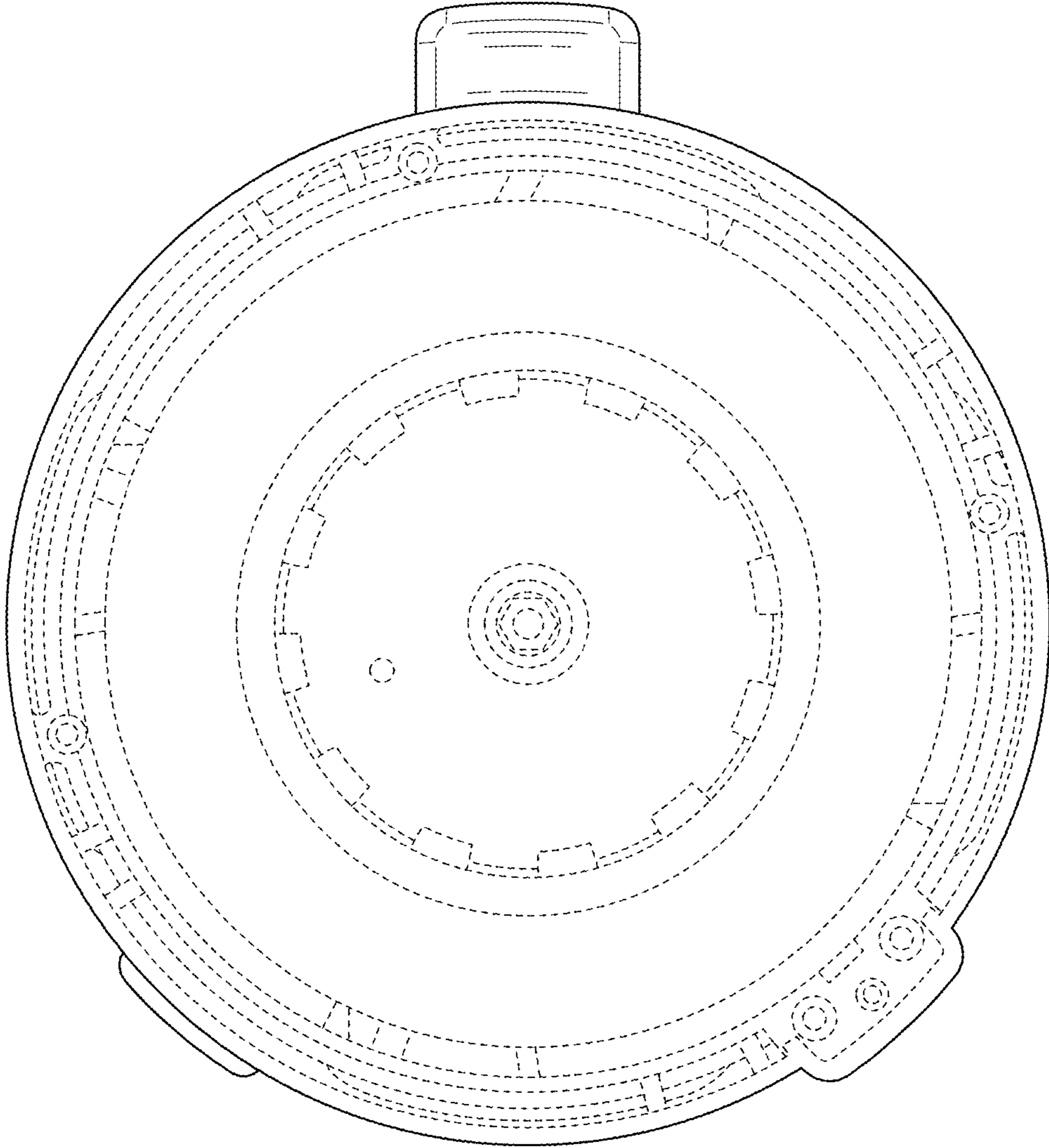


FIG. 14