



US00D876163S

(12) **United States Design Patent** (10) **Patent No.:** **US D876,163 S**
Chow (45) **Date of Patent:** **** Feb. 25, 2020**

(54) **3D STIR BAR**

(71) Applicant: **Poking Industrial (Dong Guan) Company Limited**, Dongguan (CN)

(72) Inventor: **Cheung-hang Chow**, Dongguan (CN)

(73) Assignee: **POKING INDUSTRIAL (DONG GUAN) COMPANY LIMITED**, Dongguan (CN)

(**) Term: **15 Years**

(21) Appl. No.: **29/674,697**

(22) Filed: **Dec. 24, 2018**

(30) **Foreign Application Priority Data**

Jun. 27, 2018 (CN) 2018 3 0334223

(51) **LOC (12) Cl.** **31-00**

(52) **U.S. Cl.**
USPC **D7/412; D7/376; D7/377; D7/378; D7/379; D7/380**

(58) **Field of Classification Search**

USPC **D7/372, 376-386, 402, 412-413, 602, D7/629, 665-666, 669, 679, 693-694; D15/138**

CPC **A21C 1/02; A21C 1/04; A23N 1/00; A23N 1/02; A47J 43/04; A47J 43/25; A47J 43/27; A47J 43/042; A47J 43/044; A47J 43/046; A47J 43/075; A47J 43/0722; A47J 43/0727; A47J 43/105; B01F 3/00; B01F 3/0807; B01F 3/0853; B01F 7/00166; B01F 7/00275; B01F 7/0005; B01F 7/001; B01F 13/0059; B01F 13/0064; B01F 13/002; B02C 1/08; B02C 2/04; B02C 4/42; B02C 4/142; B02C 4/143; B02C 4/423; B02C 13/1835; B28C 5/10; B28C 5/12; B28C 5/14; B28C 5/16; B63H 3/04**

See application file for complete search history.

(56) **References Cited**

U.S. PATENT DOCUMENTS

798,570 A * 8/1905 Dalby B01F 13/002
366/248
1,248,153 A * 11/1917 Offenhauser B63H 3/04
416/163
D124,192 S * 12/1940 Carman D7/412
3,619,081 A * 11/1971 Gruska A47J 43/105
416/70 R
5,403,091 A * 4/1995 Thomas B01F 7/00166
366/279
D576,186 S * 9/2008 Rosso D15/138
D618,056 S * 6/2010 Sly D7/376
D730,690 S * 6/2015 Cottam D7/376
D742,171 S * 11/2015 Conti A47J 36/16
D7/376
D865,822 S * 11/2019 Murray D15/138
2007/0086271 A1 * 4/2007 Hamilton B01F 7/0005
366/325.2

(Continued)

Primary Examiner — Ricky Pham

(74) *Attorney, Agent, or Firm* — Bayramoglu Law Offices LLC

(57) **CLAIM**

The ornamental design for a 3D stir bar, as shown and described.

DESCRIPTION

FIG. 1 is a perspective view of a 3D stir bar showing the new design;

FIG. 2 is a front view thereof;

FIG. 3 is a rear view thereof;

FIG. 4 is a left side view thereof;

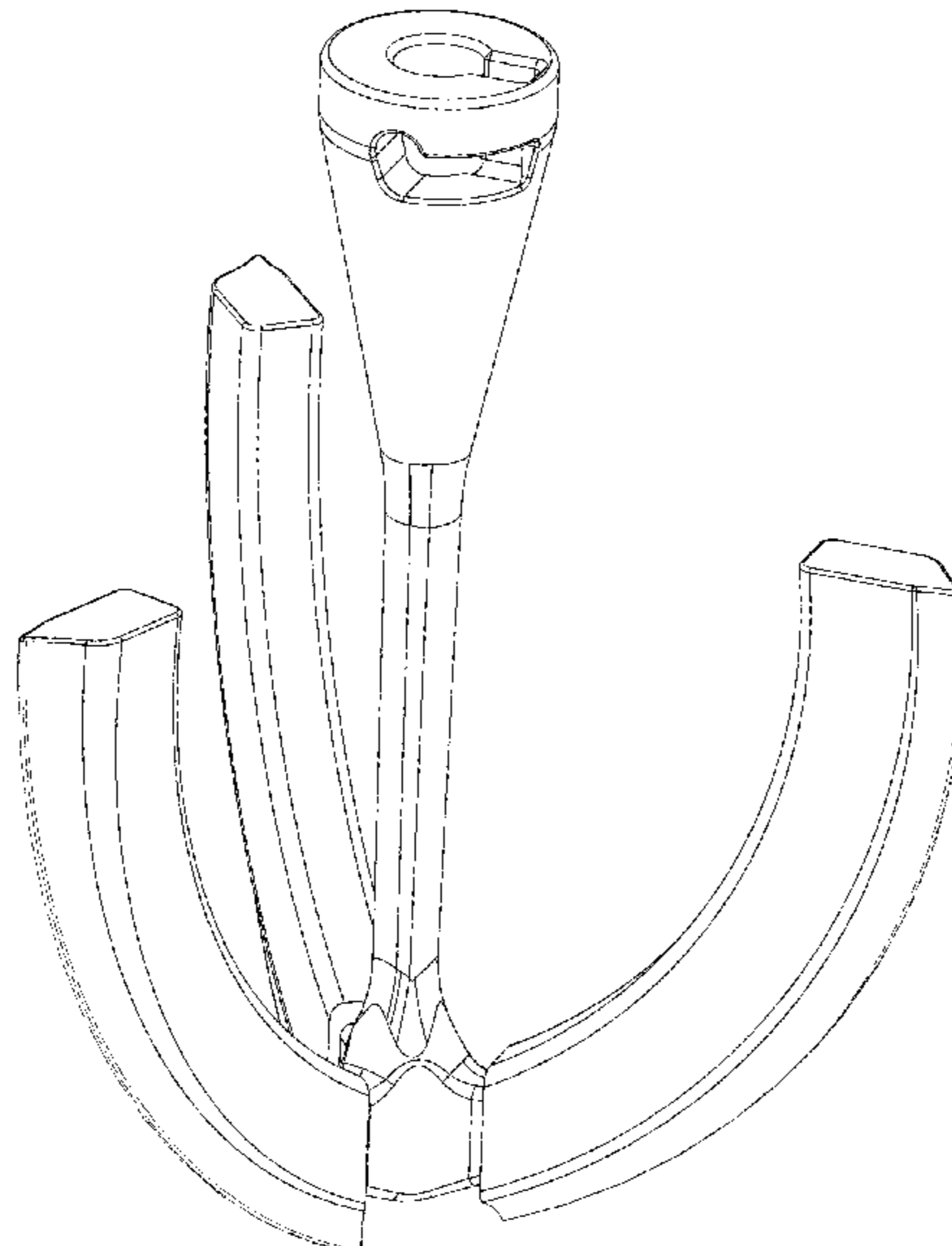
FIG. 5 is a right side view thereof;

FIG. 6 is a top view thereof;

FIG. 7 is a bottom view thereof; and,

FIG. 8 is another perspective view thereof.

1 Claim, 8 Drawing Sheets



(56)

References Cited

U.S. PATENT DOCUMENTS

2008/0130406 A1* 6/2008 Rosso B01F 7/001
366/342
2012/0067147 A1* 3/2012 Huang B01F 7/00275
74/409

* cited by examiner

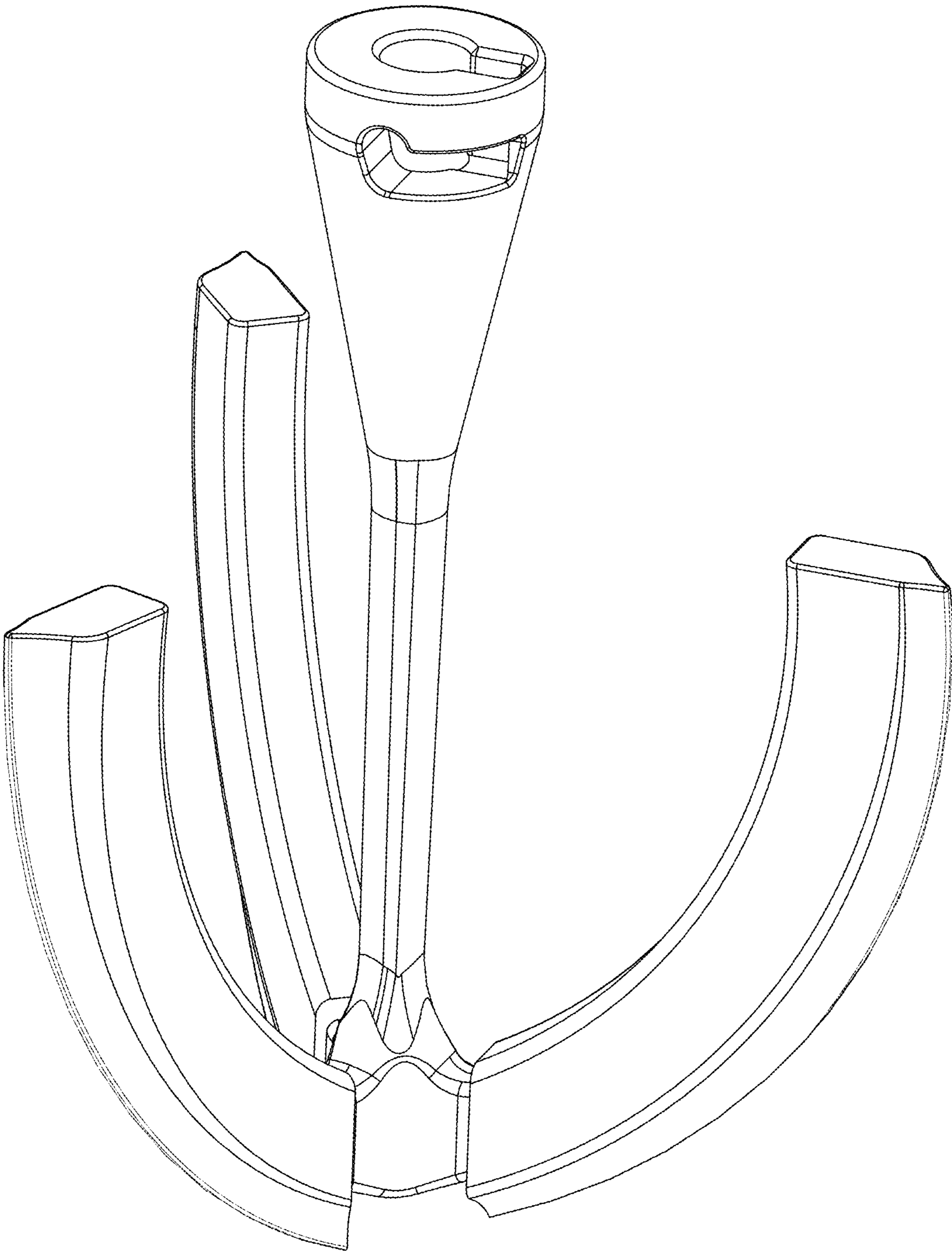


Fig. 1

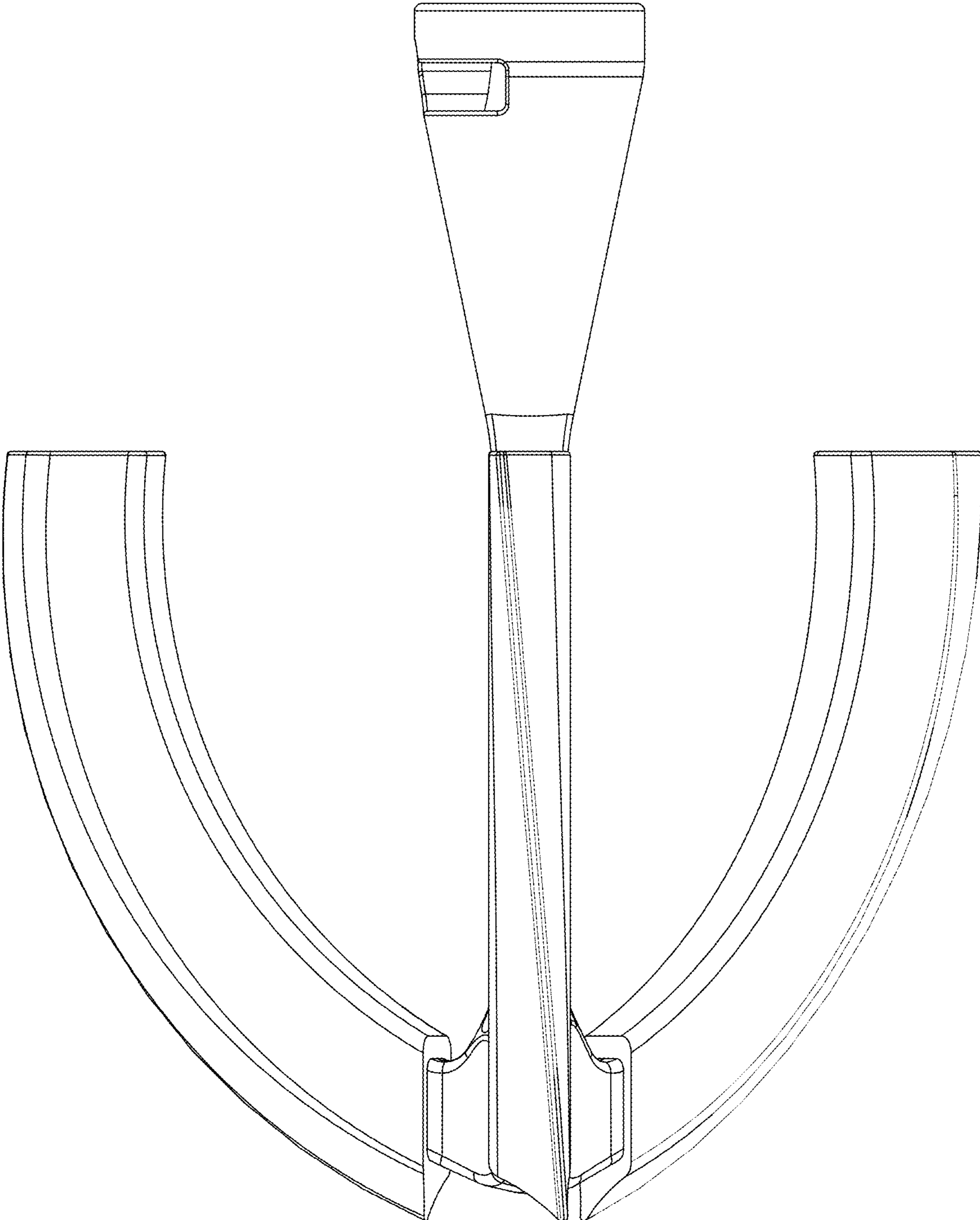


Fig. 2

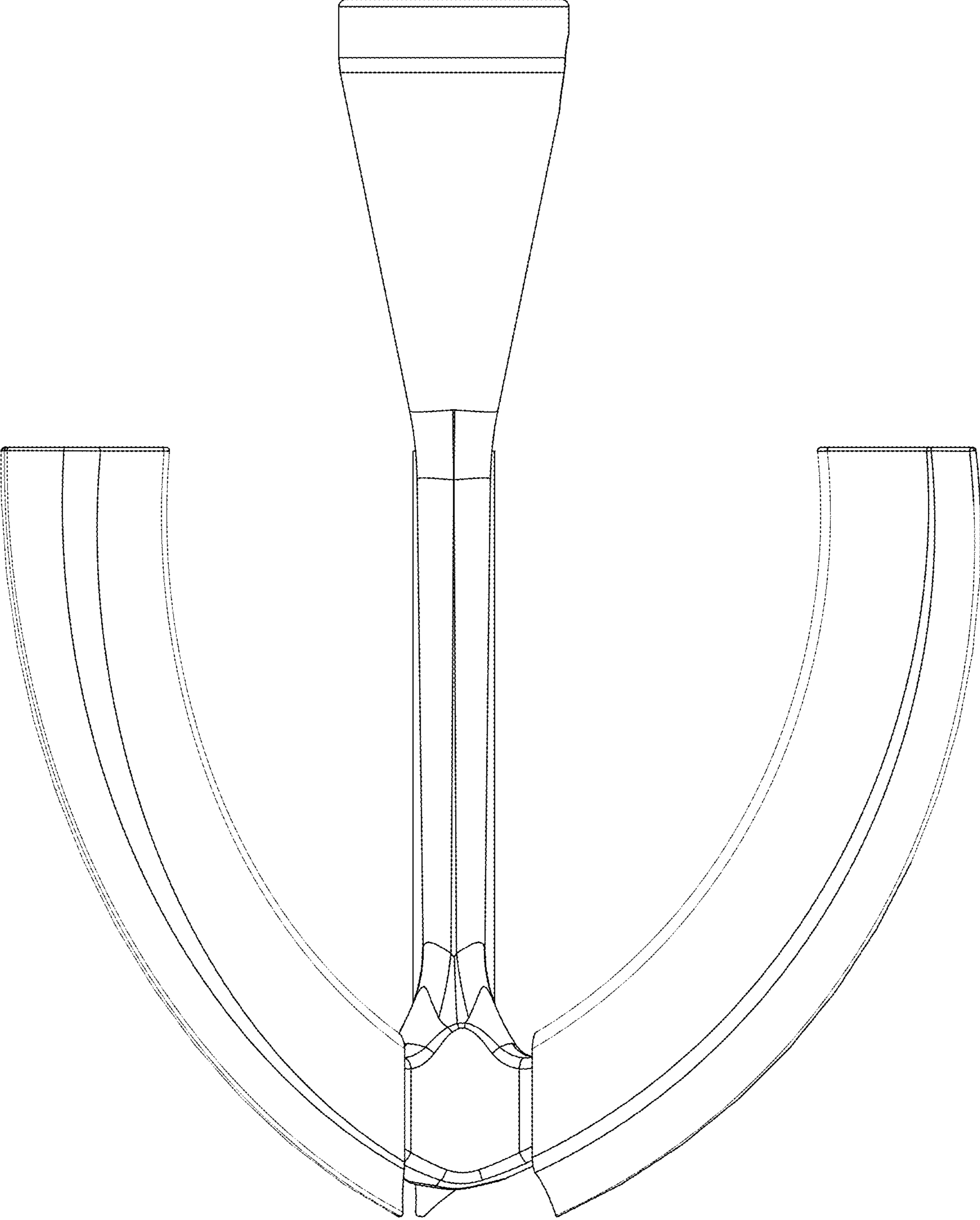


Fig. 3

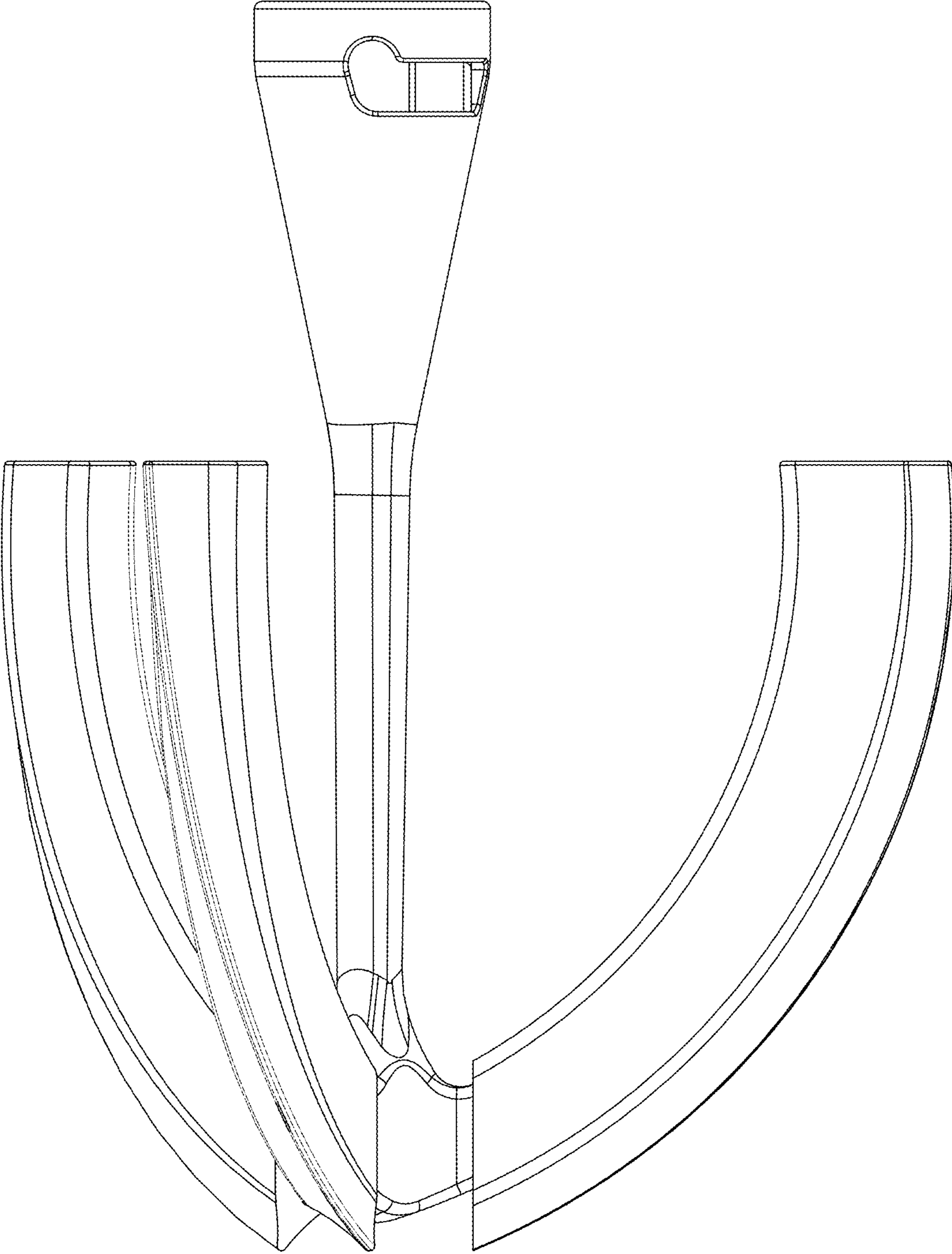


Fig. 4

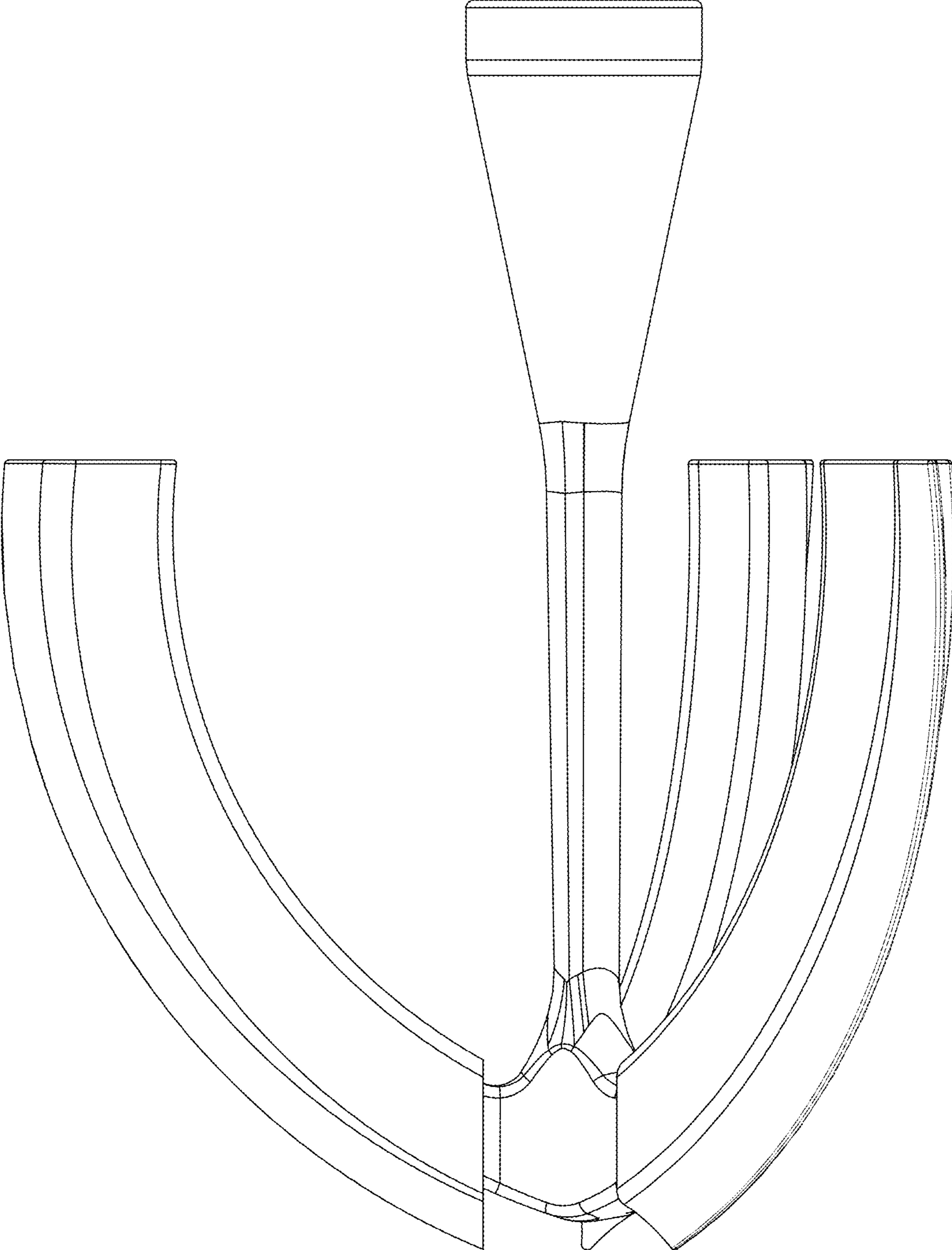


Fig. 5

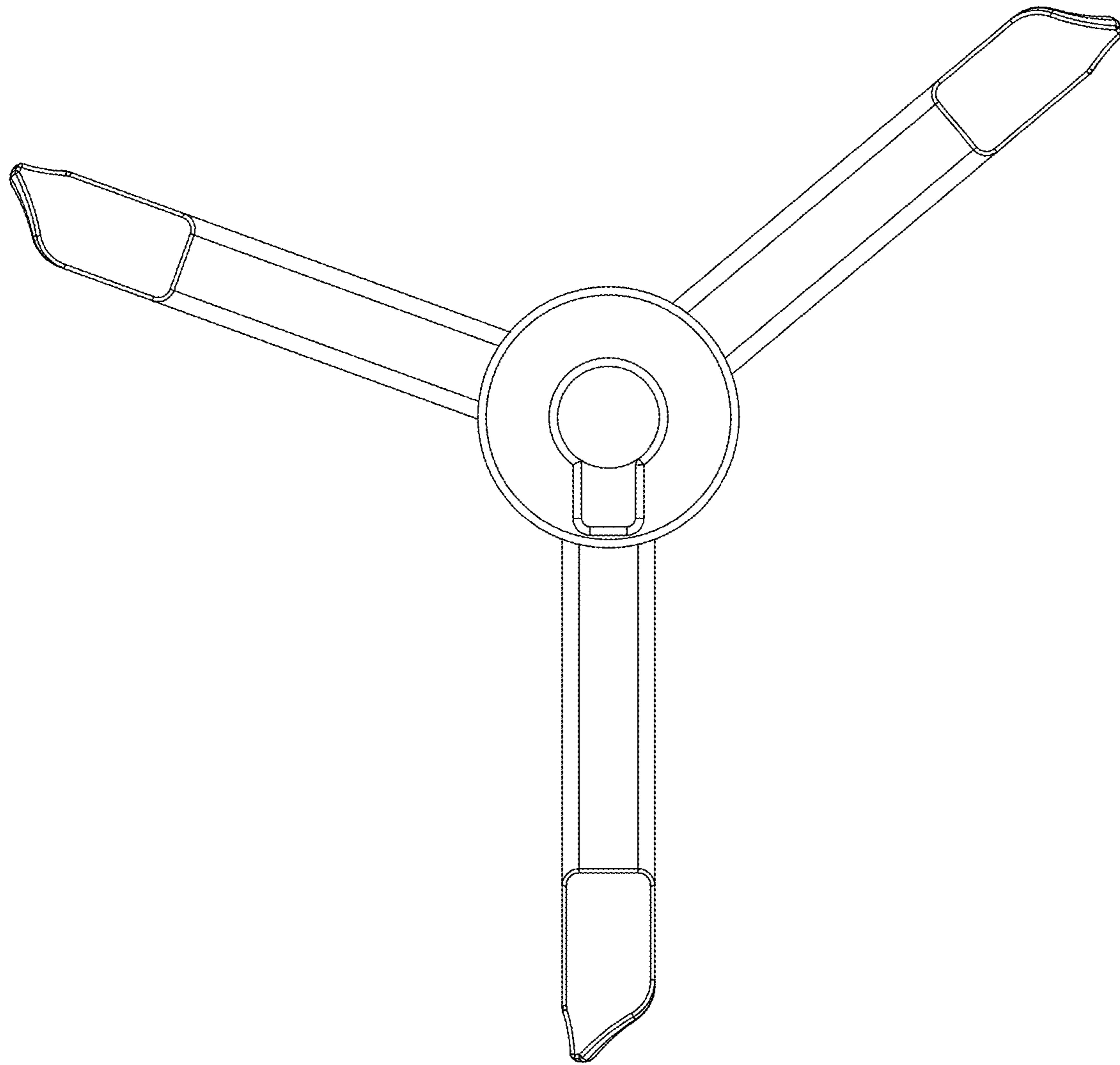


Fig. 6

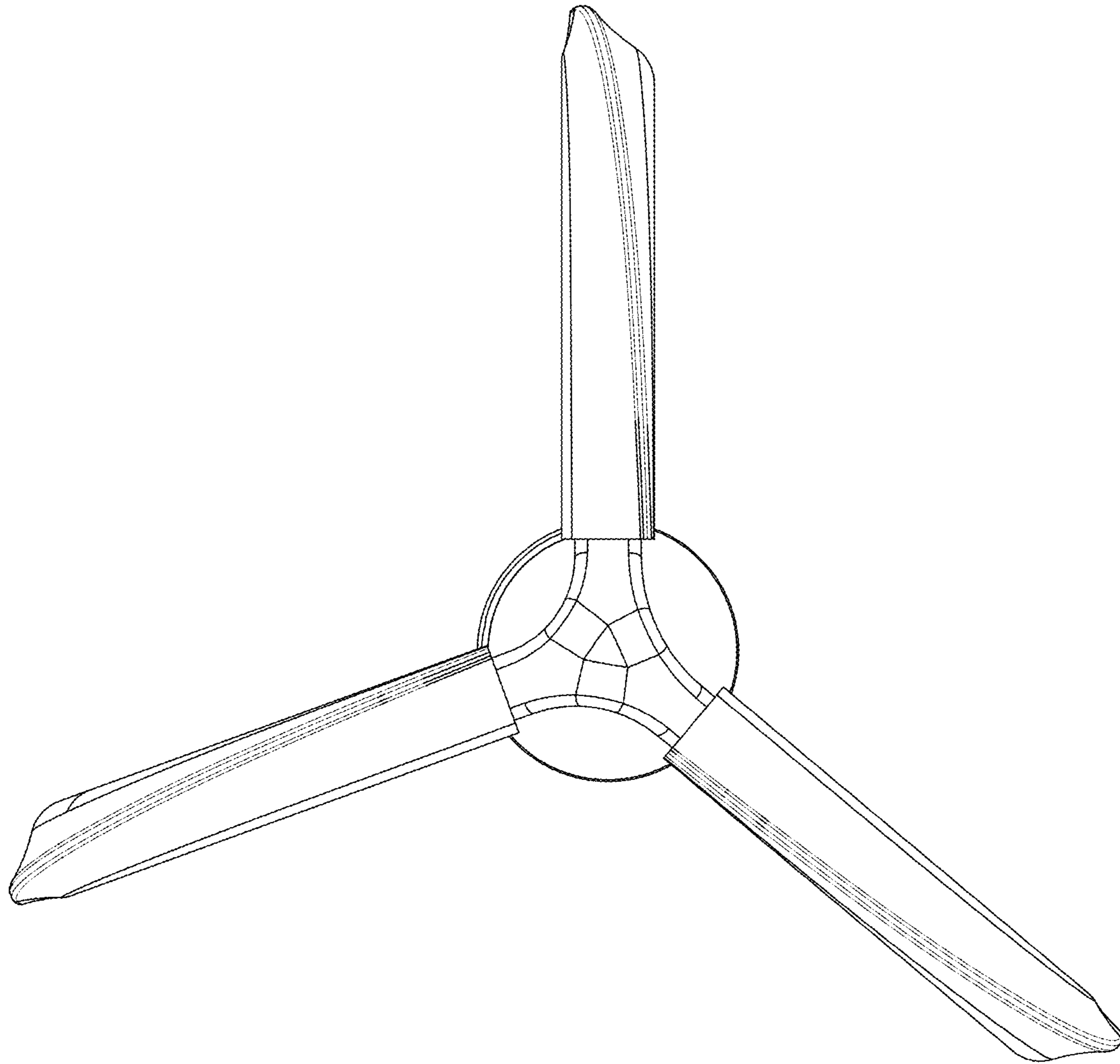


Fig. 7

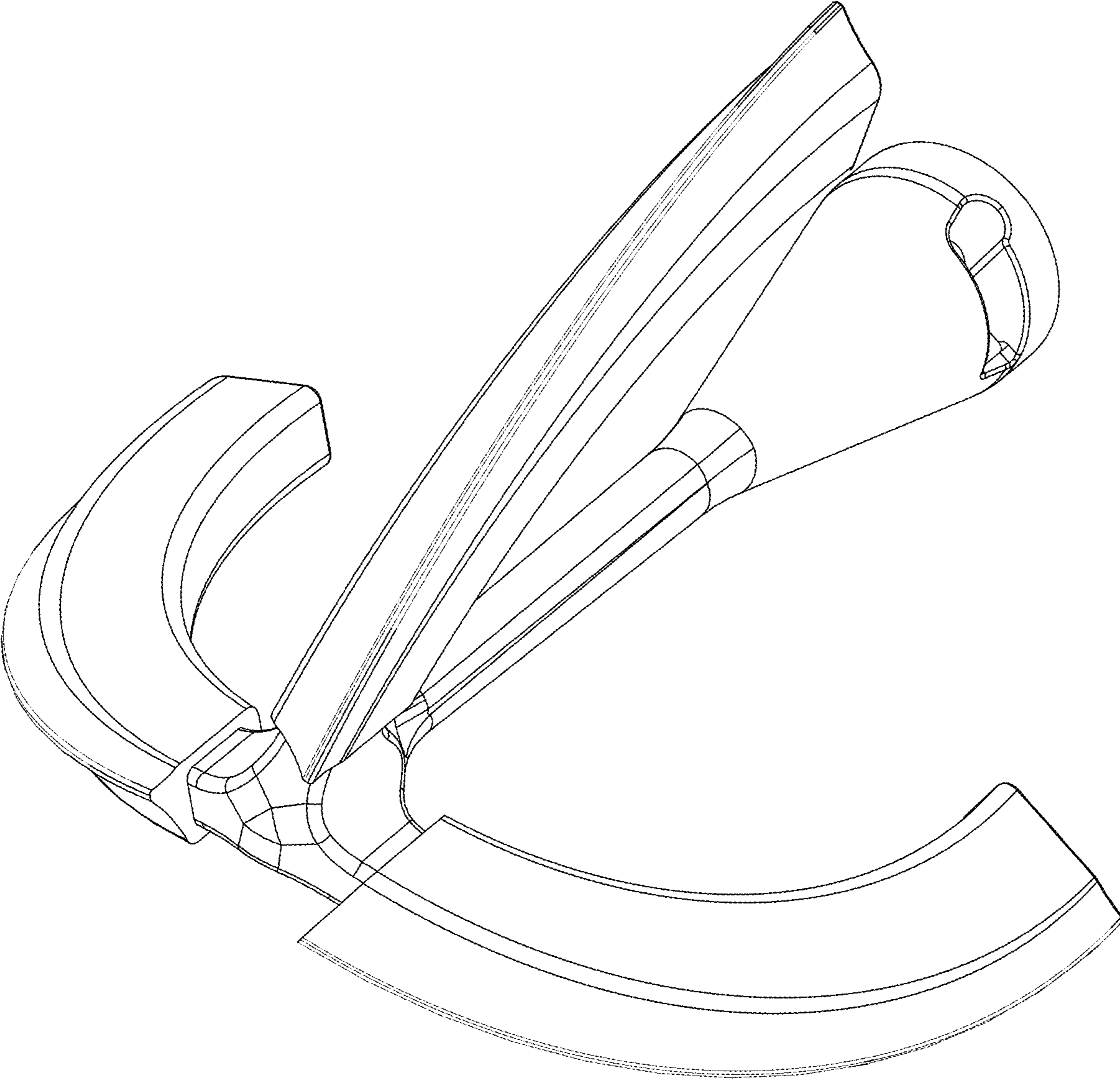


Fig. 8