



US00D876162S

(12) **United States Design Patent** (10) **Patent No.:** **US D876,162 S**
Covert et al. (45) **Date of Patent:** **** Feb. 25, 2020**

(54) **FRYER BASKET**

(56) **References Cited**

(71) Applicants: **Earl Covert**, Coral Springs, FL (US);
Misael Bonifaz, Coral Springs, FL (US)

U.S. PATENT DOCUMENTS

(72) Inventors: **Earl Covert**, Coral Springs, FL (US);
Misael Bonifaz, Coral Springs, FL (US)

573,045 A * 12/1896 Snyder F24C 15/08
126/275 R
3,508,485 A * 4/1970 Munsey A47J 27/004
99/331
6,591,741 B1 * 7/2003 Martin A47J 37/1271
126/390.1
8,037,812 B1 * 10/2011 Sumner, Sr. A47J 37/1295
220/494
8,584,579 B1 * 11/2013 Sumner, Sr. A47J 37/1295
220/494
D695,057 S * 12/2013 DiFante D7/354
D825,268 S * 8/2018 Iorio D7/409
D853,787 S * 7/2019 Moon D7/409
2005/0269332 A1 * 12/2005 Svabeck A47J 37/1295
220/485
2007/0251517 A1 * 11/2007 Sus A47J 37/1295
126/20

(**) Term: **15 Years**

(21) Appl. No.: **29/698,807**

(22) Filed: **Jul. 19, 2019**

Related U.S. Application Data

(63) Continuation of application No. 29/665,711, filed on
Oct. 5, 2018.

(51) **LOC (12) Cl.** **07-02**

(52) **U.S. Cl.**
USPC **D7/409**; D7/354; D7/361

(58) **Field of Classification Search**
USPC D7/323, 332, 335-337, 354-355,
D7/359-364, 387-388, 402, 407-409
CPC A21B 2/00; A21B 3/00; A21B 3/13; A21B
3/15; A21B 5/00; A21B 5/02; A23N
12/06; A23N 12/08; A23N 12/10; A47J
27/004; A47J 37/00; A47J 37/04; A47J
37/041; A47J 37/042; A47J 37/06; A47J
37/0688; A47J 37/0694; A47J 37/07;
A47J 37/0704; A47J 37/10; A47J
37/1271; A47J 37/1295; A47J 47/20;
A47J 2037/00; A47J 2037/06; A47J
2037/0611; A47J 2037/07; A47J
2037/0786; A47J 2037/0795; F24C 15/08;
F24C 15/10; F24C 15/12; F24C 15/14;
F24C 15/16; F24C 15/164; F24C 15/18

See application file for complete search history.

(Continued)

Primary Examiner — Ricky Pham

(74) *Attorney, Agent, or Firm* — Laurence A. Greenberg;
Werner H. Stemer; Ralph E. Locher

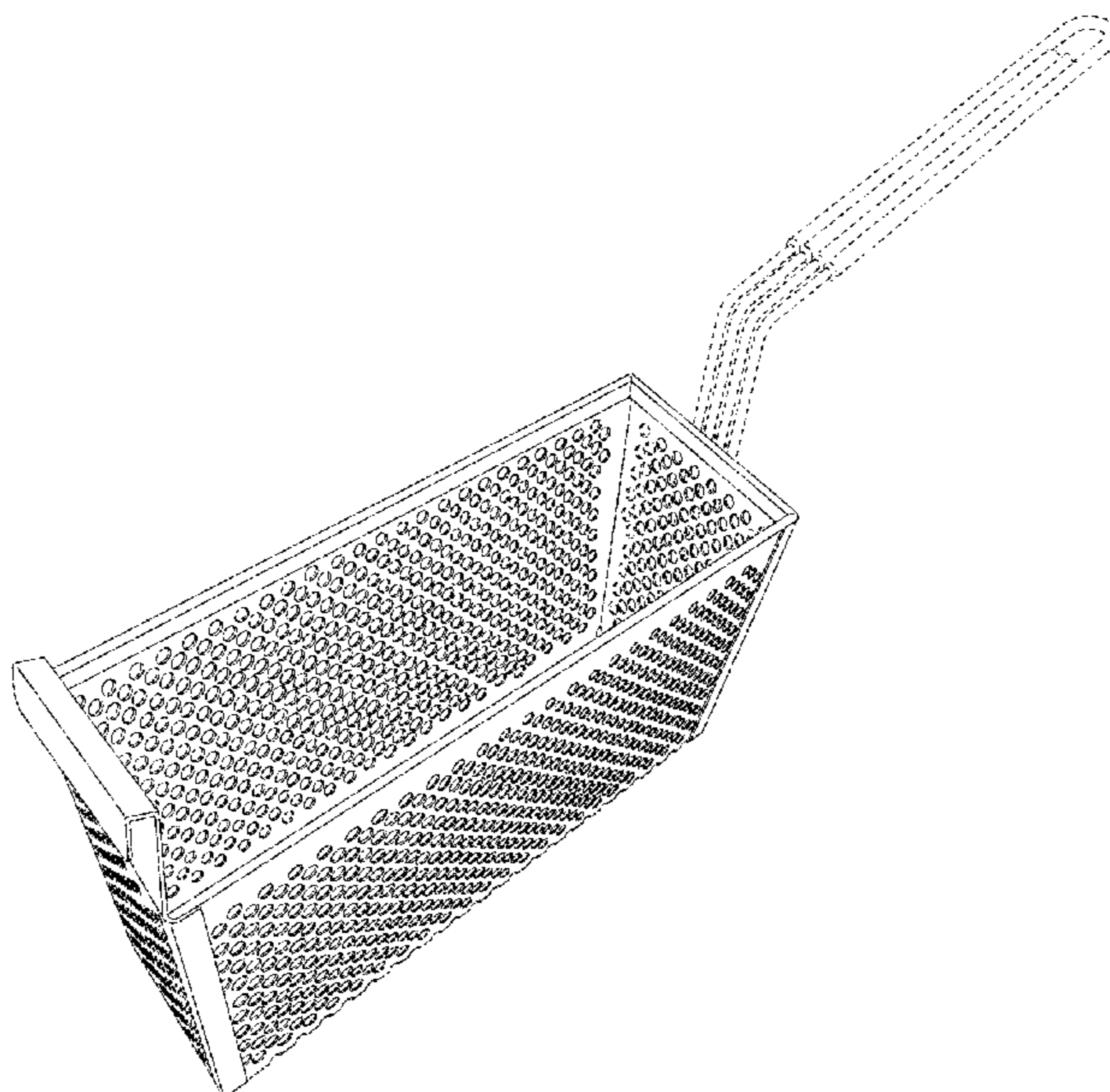
(57) **CLAIM**

The ornamental design for a fryer basket, as shown and
described.

DESCRIPTION

FIG. 1 is a front top perspective view of the fryer basket
showing our new design;
FIG. 2 is a rear perspective view thereof;
FIG. 3 is a front elevation view thereof;
FIG. 4 is a rear elevation view thereof;
FIG. 5 is a top plan view thereof;
FIG. 6 is a bottom plan view thereof; and,
FIG. 7 is a side elevation view thereof, it being understood
that the opposite side view is a mirror image thereof.
The broken lines shown in the drawings are for illustrative
purposes only and form no part of the claimed design.

1 Claim, 6 Drawing Sheets



(56)

References Cited

U.S. PATENT DOCUMENTS

2008/0124438 A1* 5/2008 Forte A47J 37/1295
426/389
2014/0263344 A1* 9/2014 Svabek A47J 37/1295
220/485
2015/0297031 A1* 10/2015 Hammac A47J 37/1295
99/403

* cited by examiner

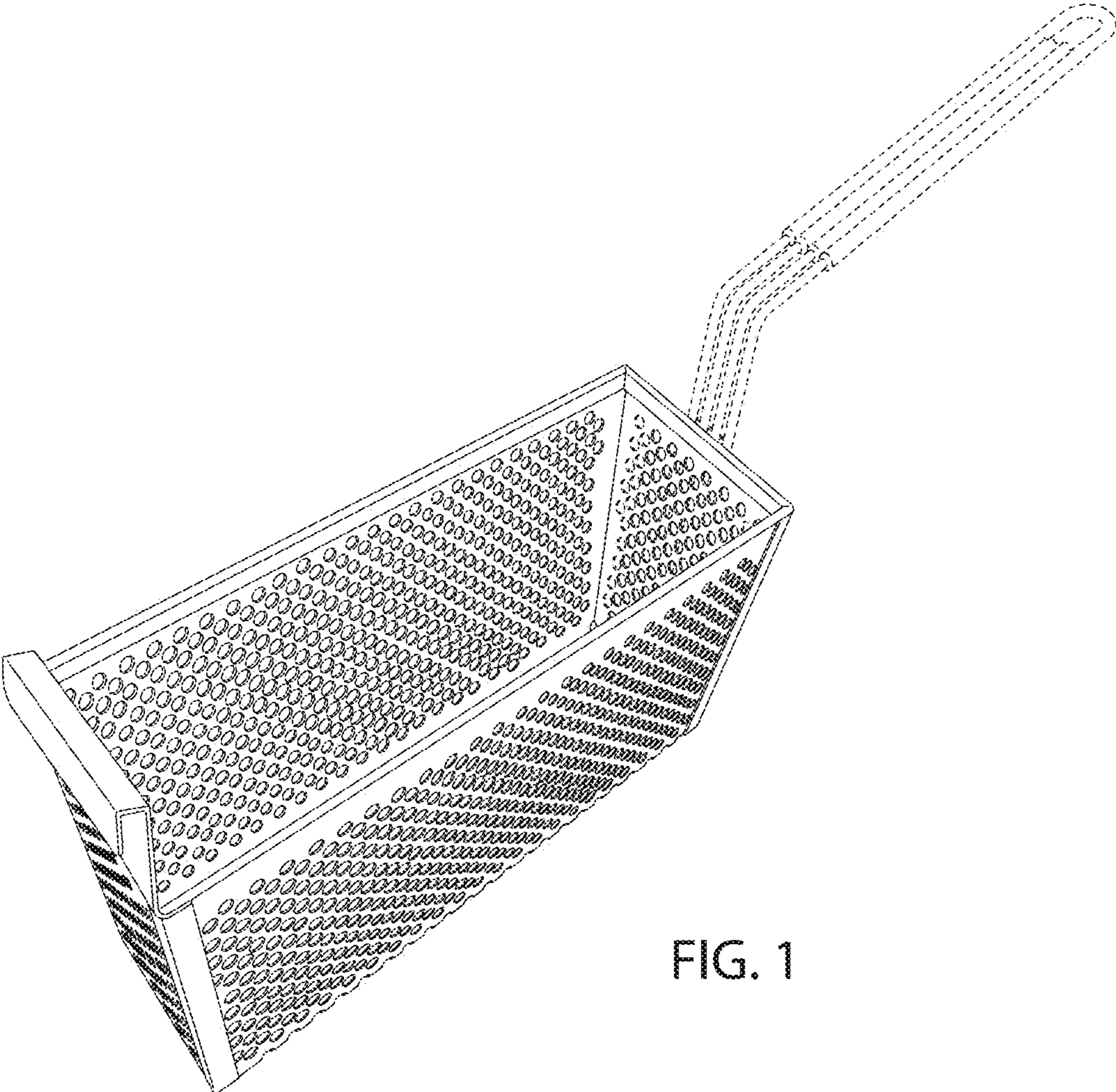


FIG. 1

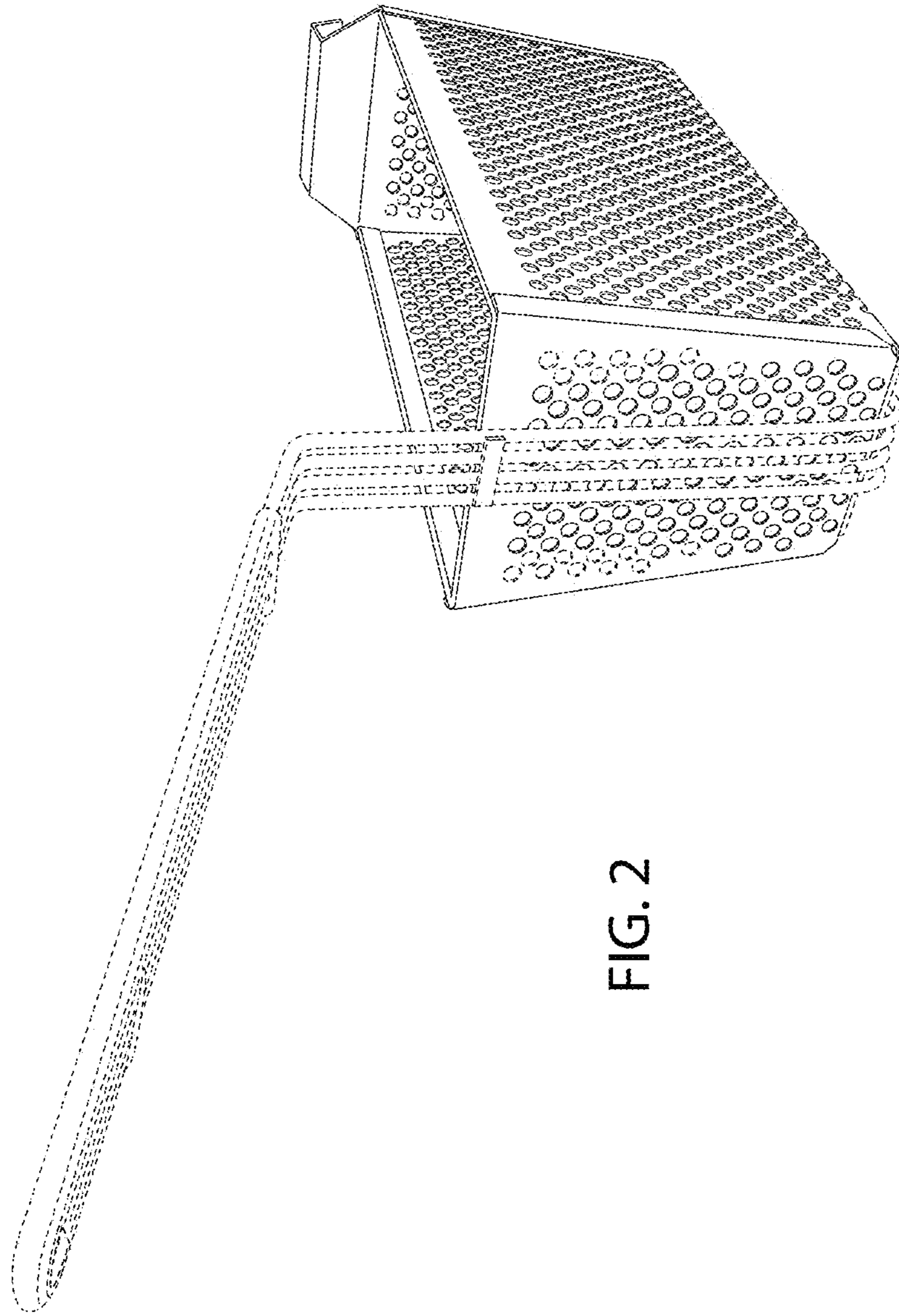


FIG. 2

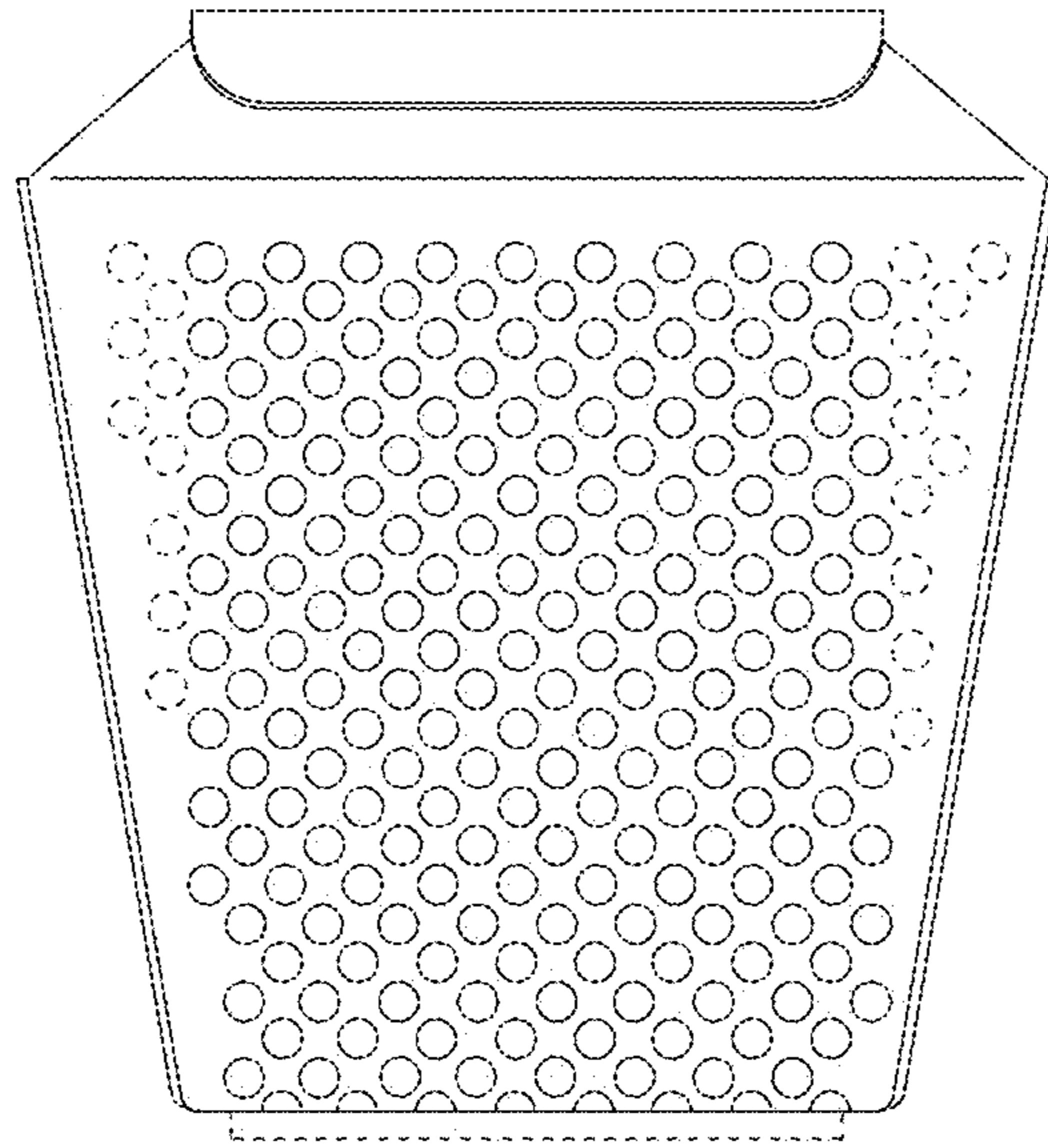


FIG. 3

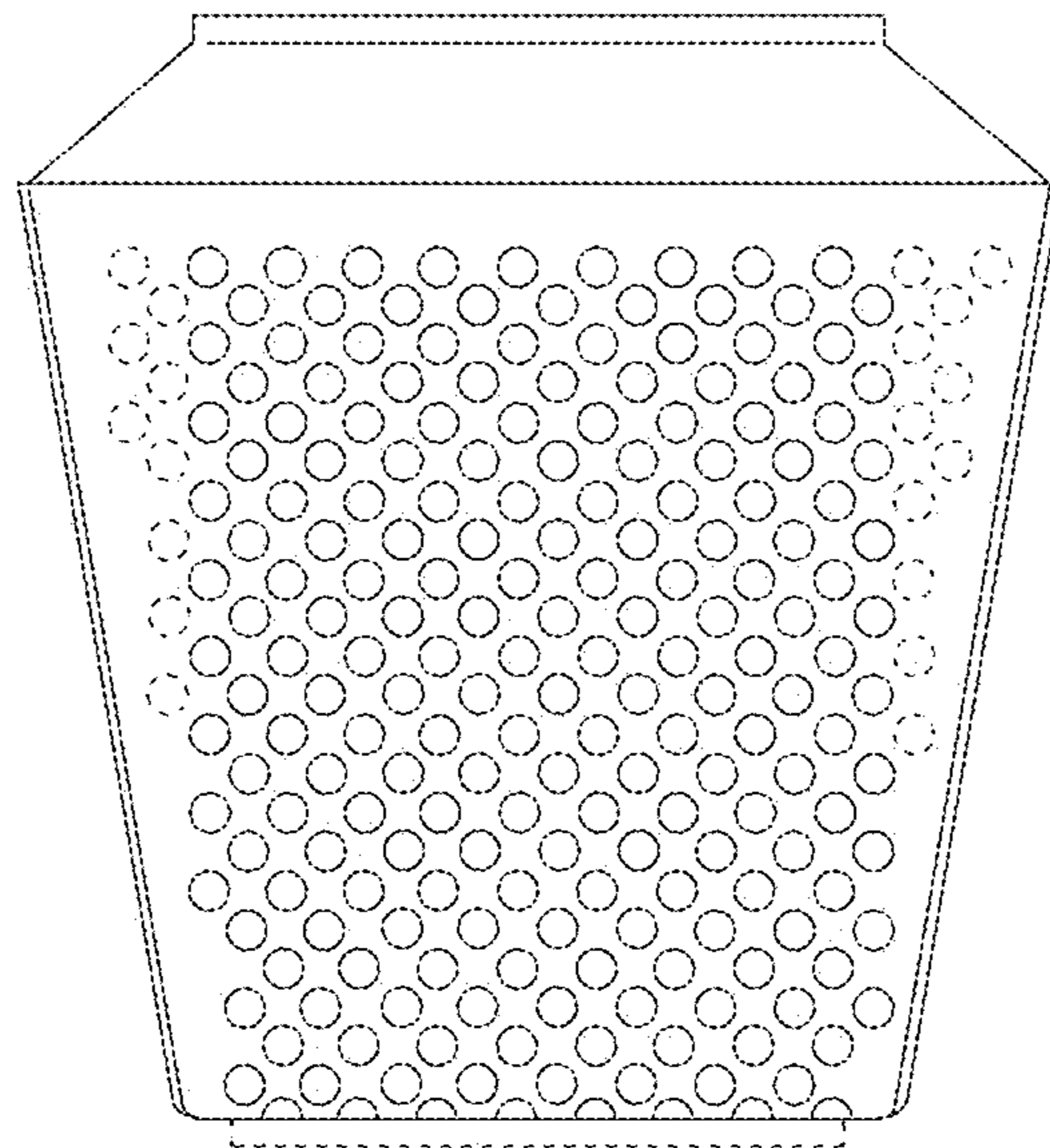


FIG. 4

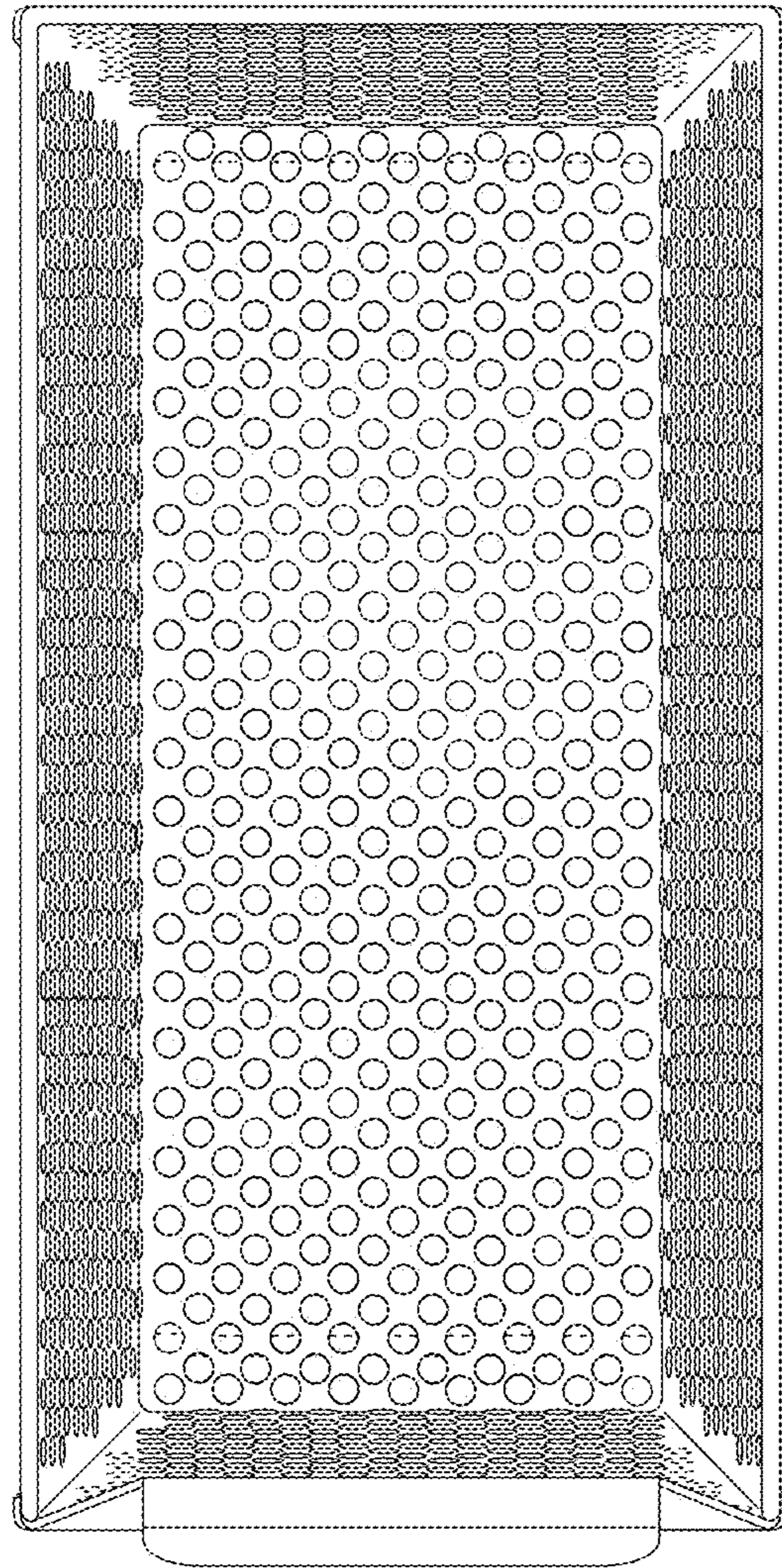


FIG. 5

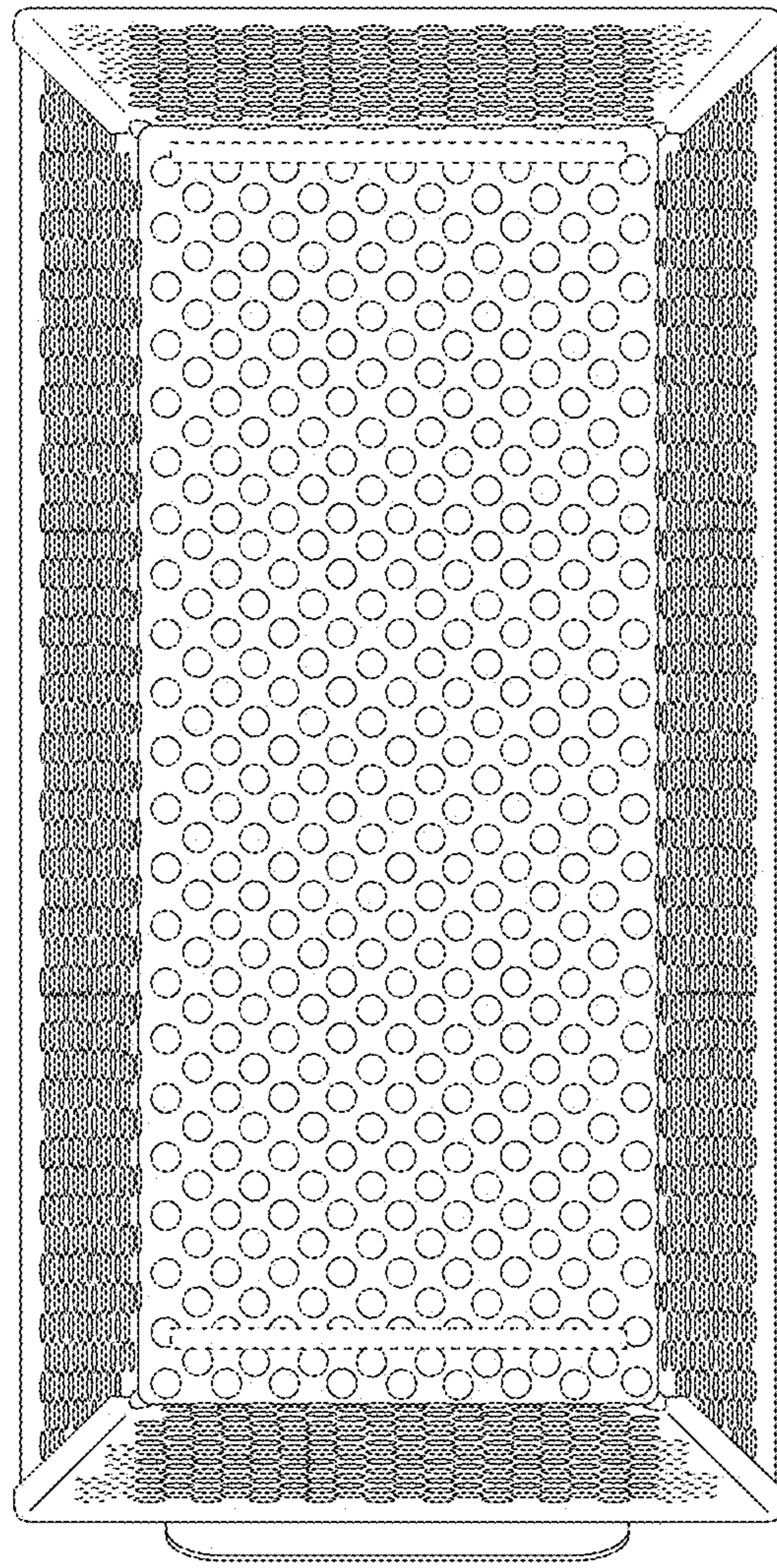


FIG. 6

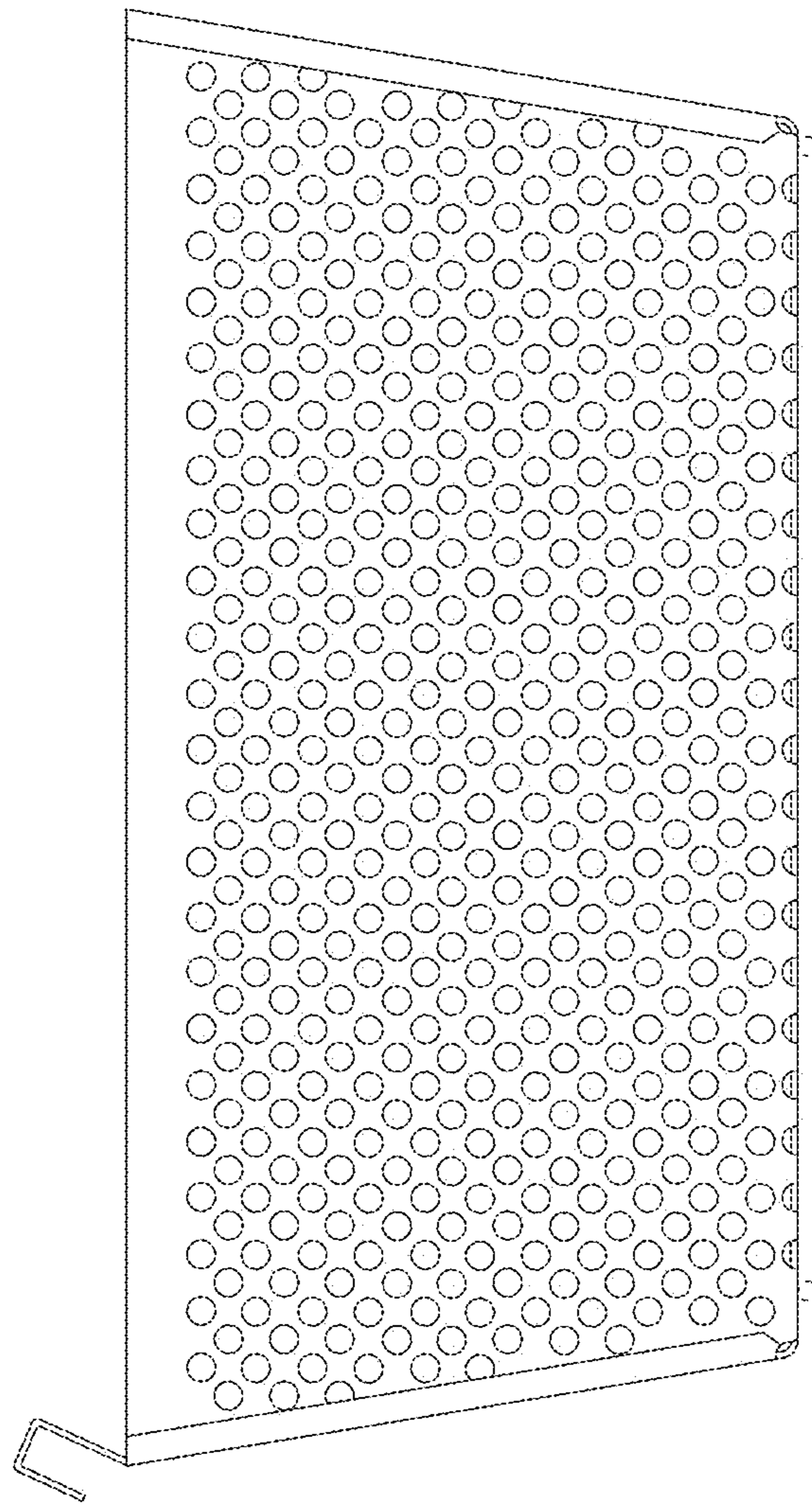


FIG. 7