



US00D876161S

(12) **United States Design Patent**  
**Covert et al.**

(10) **Patent No.:** **US D876,161 S**

(45) **Date of Patent:** **\*\* Feb. 25, 2020**

- (54) **FRYER BASKET** 6,591,741 B1 \* 7/2003 Martin ..... A47J 37/1271  
126/390.1
- (71) Applicants: **Earl H. Covert**, Coral Springs, FL 8,037,812 B1 \* 10/2011 Sumner, Sr. .... A47J 37/1295  
(US); **Misael Bonifaz**, Coral Springs, 220/494  
FL (US) 8,584,579 B1 \* 11/2013 Sumner, Sr. .... A47J 37/1295  
220/494
- (72) Inventors: **Earl H. Covert**, Coral Springs, FL D695,057 S \* 12/2013 DiFante ..... D7/354  
(US); **Misael Bonifaz**, Coral Springs, D825,268 S \* 8/2018 Iorio ..... D7/409  
FL (US) D853,787 S \* 7/2019 Moon ..... D7/409  
2005/0269332 A1 \* 12/2005 Svabeck ..... A47J 37/1295  
220/485
- (\*\*) Term: **15 Years** 2007/0251517 A1 \* 11/2007 Sus ..... A47J 37/1295  
126/20
- (21) Appl. No.: **29/665,711** 2008/0124438 A1 \* 5/2008 Forte ..... A47J 37/1295  
426/389
- (22) Filed: **Oct. 5, 2018** 2014/0263344 A1 \* 9/2014 Svabek ..... A47J 37/1295  
220/485
- (51) **LOC (12) Cl.** ..... **07-02** 2015/0297031 A1 \* 10/2015 Hammac ..... A47J 37/1295  
99/403
- (52) **U.S. Cl.**  
USPC ..... **D7/409**; D7/354; D7/361
- (58) **Field of Classification Search**  
USPC ..... D7/323, 332, 335-337, 354-355,  
D7/359-364, 387-388, 402, 407-409  
CPC .... A21B 2/00; A21B 3/00; A21B 3/13; A21B  
3/15; A21B 5/00; A21B 5/02; A23N  
12/06; A23N 12/08; A23N 12/10; A47J  
27/004; A47J 37/00; A47J 37/04; A47J  
37/041; A47J 37/042; A47J 37/06; A47J  
37/0688; A47J 37/0694; A47J 37/07;  
A47J 37/0704; A47J 37/10; A47J  
37/1271; A47J 37/1295; A47J 47/20;  
A47J 2037/00; A47J 2037/06; A47J  
2037/0611; A47J 2037/07; A47J  
2037/0786; A47J 2037/0795; F24C 15/08;  
F24C 15/10; F24C 15/12; F24C 15/14;  
F24C 15/16; F24C 15/164; F24C 15/18  
See application file for complete search history.

\* cited by examiner

*Primary Examiner* — Ricky Pham  
(74) *Attorney, Agent, or Firm* — Laurence A. Greenberg;  
Werner H. Stemer; Ralph E. Locher

(57) **CLAIM**

The ornamental design for a fryer basket, as shown and described.

**DESCRIPTION**

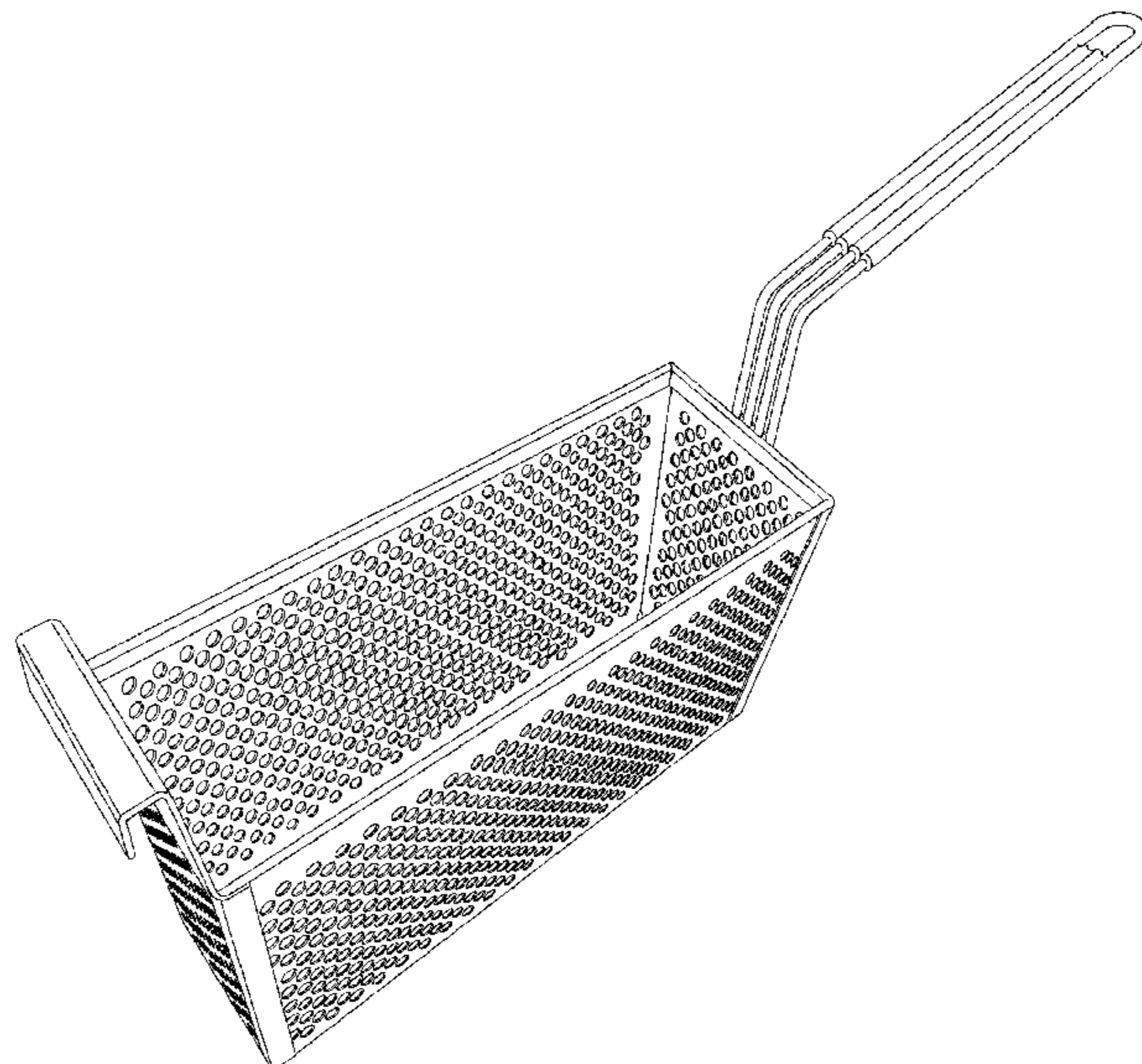
FIG. 1 is a front top perspective view of the fryer basket showing our new design;  
FIG. 2 is a rear perspective view thereof;  
FIG. 3 is a front elevation view thereof;  
FIG. 4 is a rear elevation view thereof;  
FIG. 5 is a top plan view thereof;  
FIG. 6 is a bottom view thereof; and,  
FIG. 7 is a side elevation view thereof, it being understood that the opposite side view is a mirror image thereof.

**1 Claim, 7 Drawing Sheets**

(56) **References Cited**

**U.S. PATENT DOCUMENTS**

- 573,045 A \* 12/1896 Snyder ..... F24C 15/08  
126/275 R
- 3,508,485 A \* 4/1970 Munsey ..... A47J 27/004  
99/331



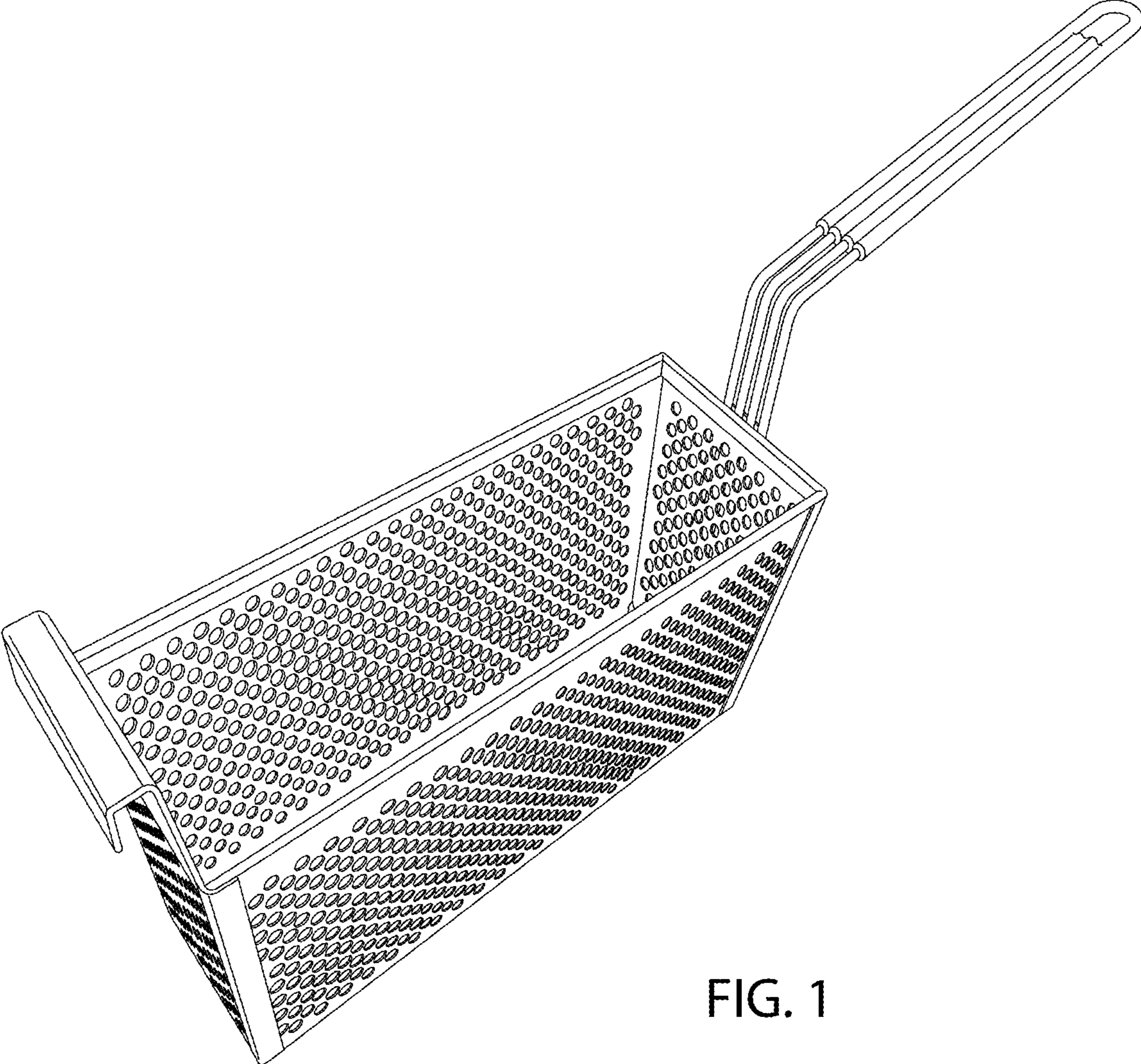


FIG. 1



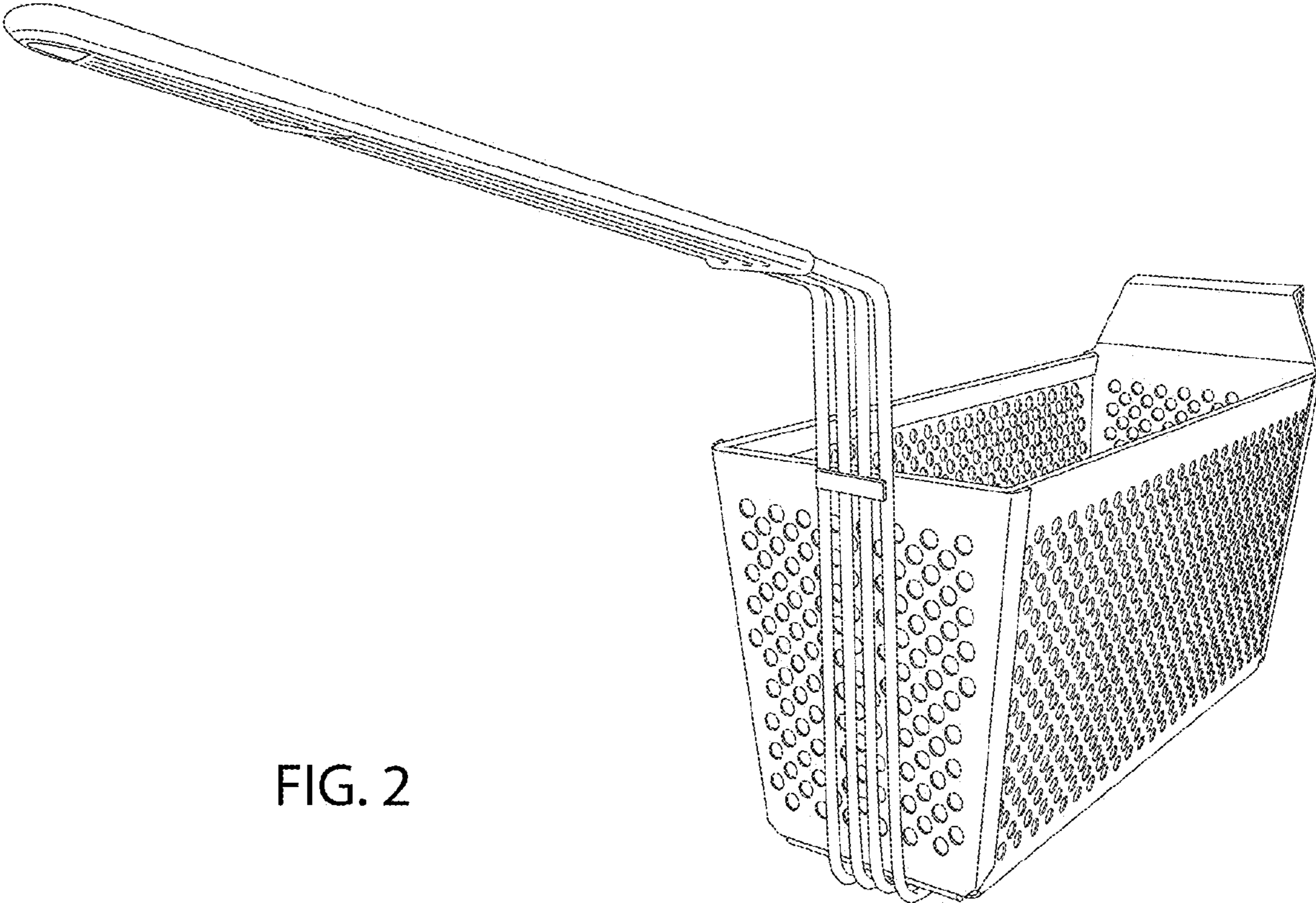


FIG. 2

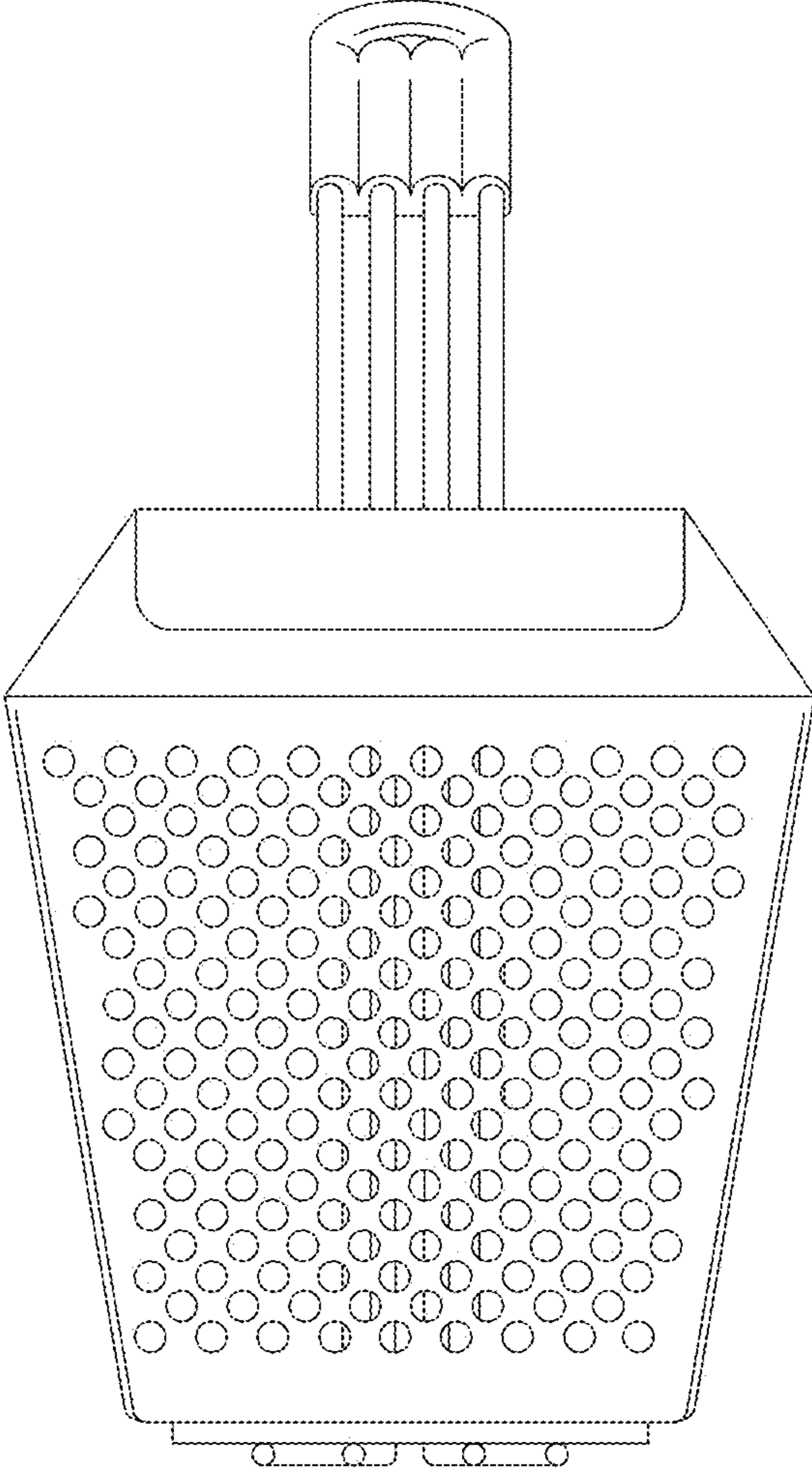


FIG. 3

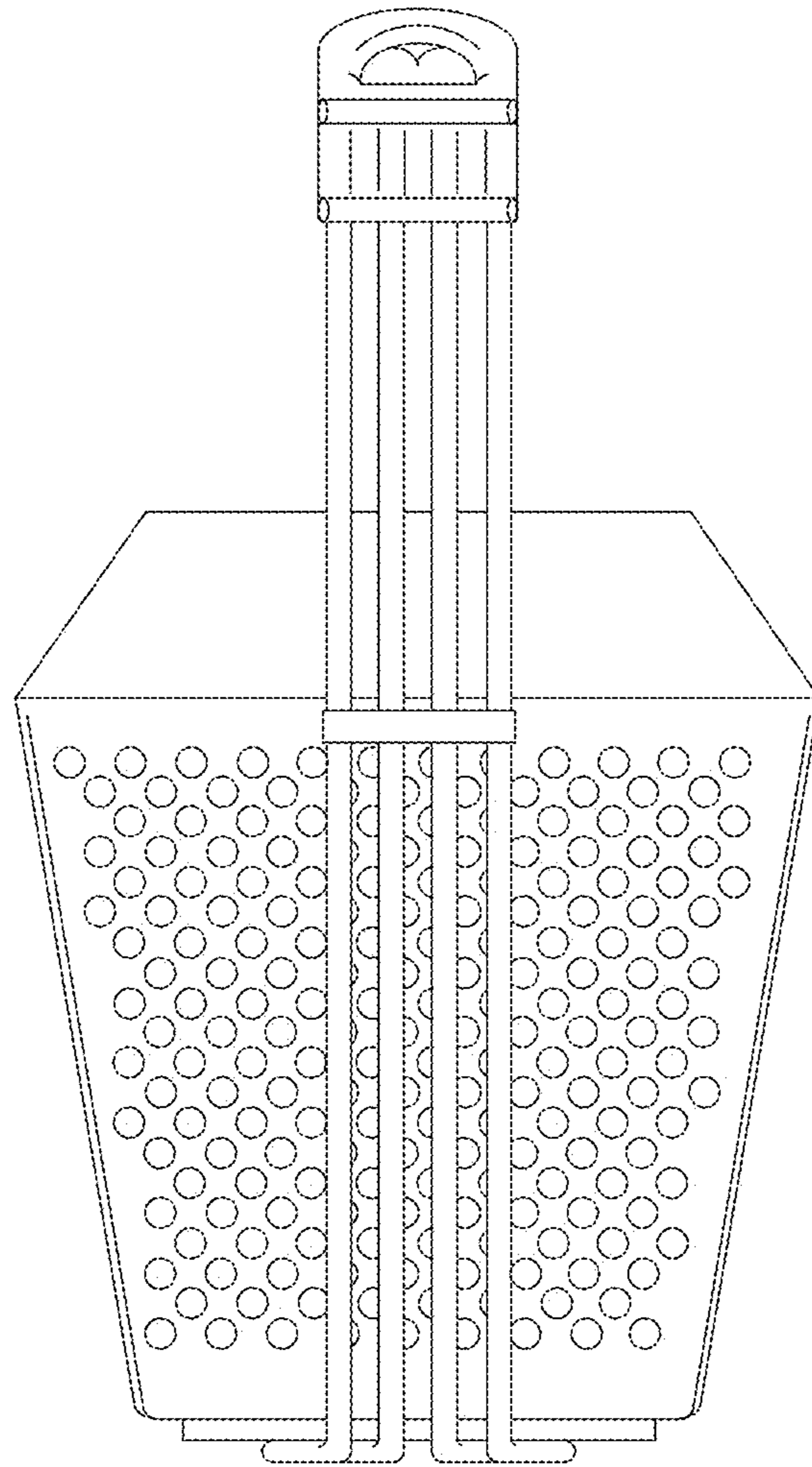


FIG. 4



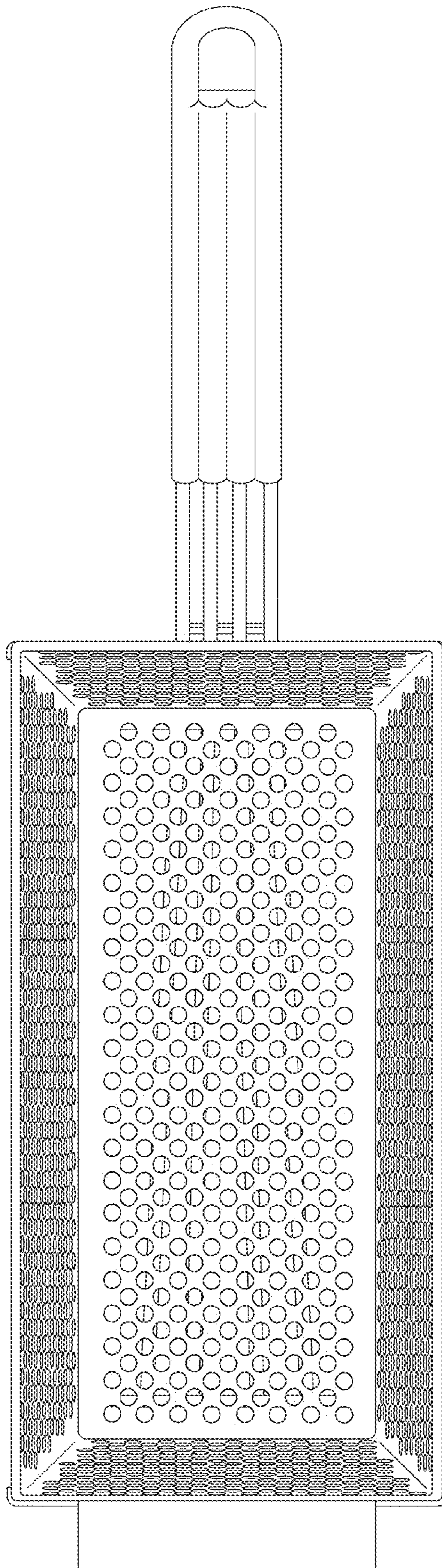


FIG. 5

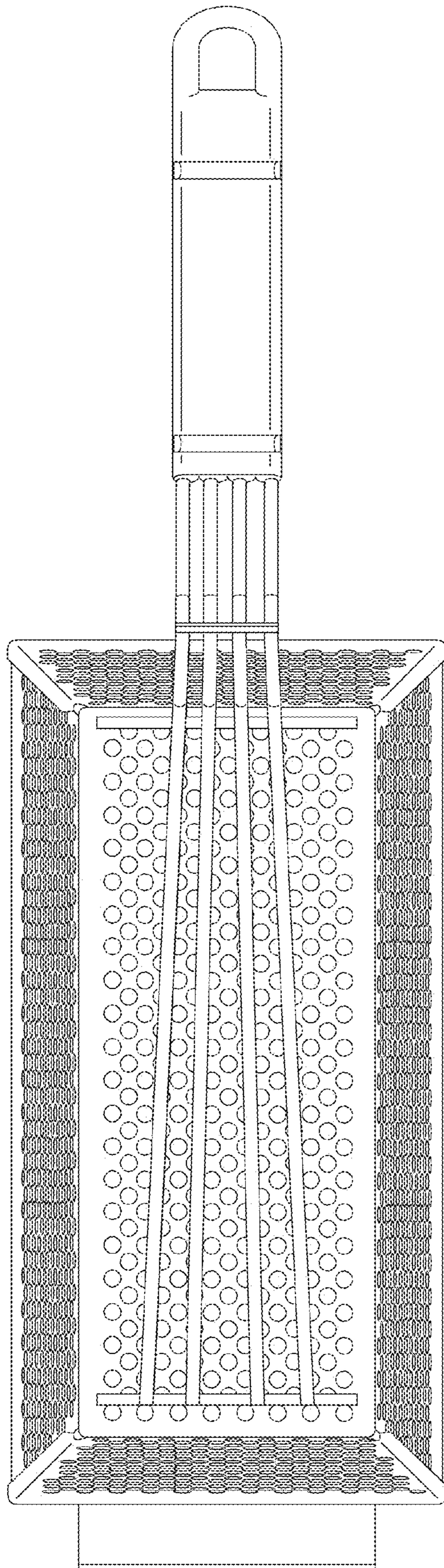


FIG. 6



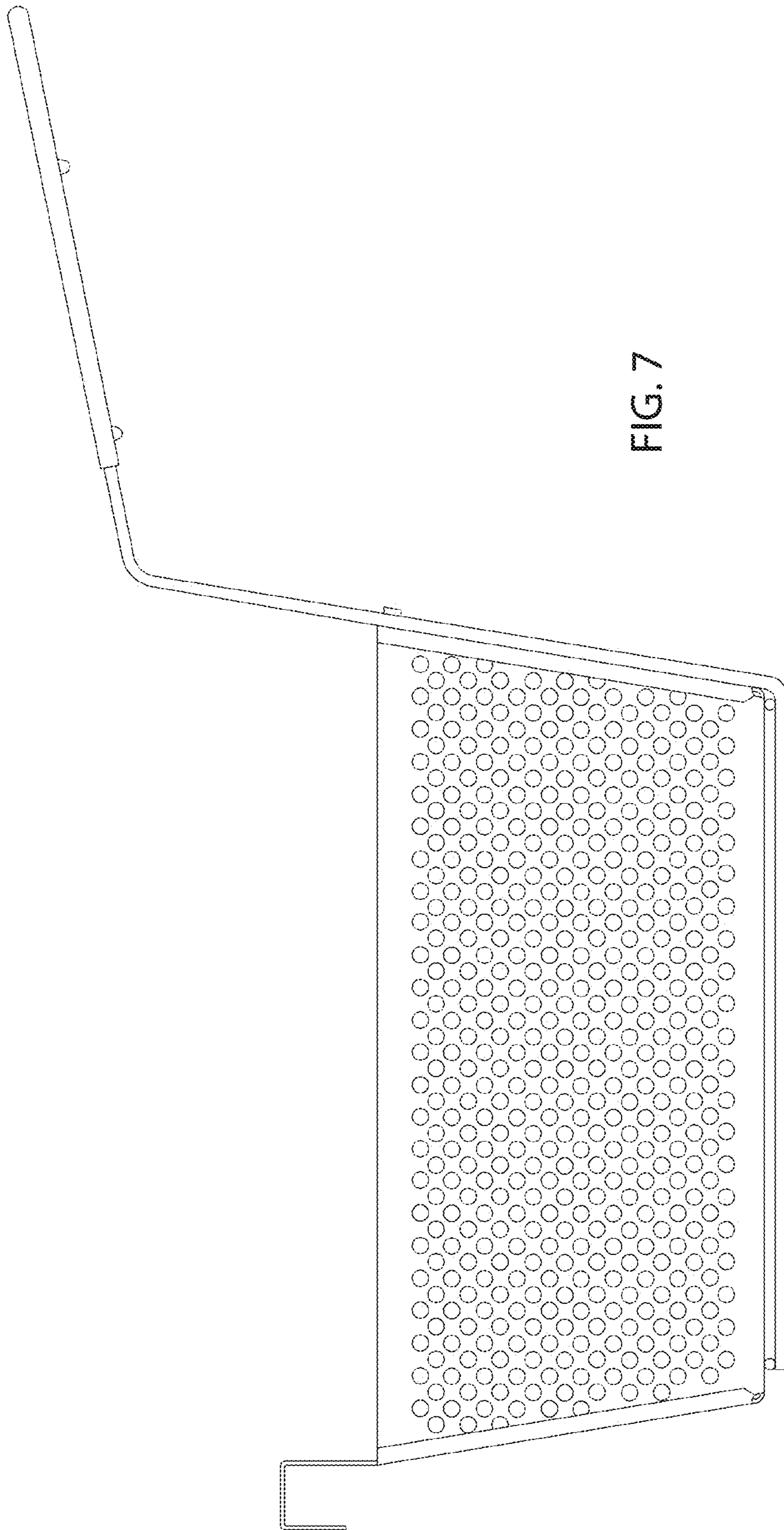


FIG. 7