



US00D876160S

(12) **United States Design Patent**
Deng et al.

(10) **Patent No.:** **US D876,160 S**

(45) **Date of Patent:** **** Feb. 25, 2020**

(54) **FOOD PREPARATION DEVICE AND PARTS THEREOF**

(71) Applicant: **SharkNinja Operating LLC**,
Needham, MA (US)

(72) Inventors: **Da Deng**, Newton, MA (US); **Dan Kestenbaum**, Brookline, MA (US)

(73) Assignee: **SHARKNINJA OPERATING LLC**,
Needham, MA (US)

(**) Term: **15 Years**

(21) Appl. No.: **29/660,495**

(22) Filed: **Aug. 21, 2018**

Related U.S. Application Data

(63) Continuation of application No. 29/659,577, filed on Aug. 9, 2018.

(51) **LOC (12) Cl.** **07-02**

(52) **U.S. Cl.**

USPC **D7/409; D7/354; D7/358**

(58) **Field of Classification Search**

USPC **D7/323, 354-362, 391, 409; D23/365**

(Continued)

(56) **References Cited**

U.S. PATENT DOCUMENTS

1,986,088 A 1/1935 Wild
3,076,405 A 2/1963 Lang

(Continued)

FOREIGN PATENT DOCUMENTS

CN 2253170 Y 4/1997
CN 1218653 A 6/1999

(Continued)

Primary Examiner — Ricky Pham

(74) *Attorney, Agent, or Firm* — Cantor Colburn LLP

(57) **CLAIM**

The ornamental design for a food preparation device and parts thereof, as shown and described.

DESCRIPTION

FIG. 1 is a perspective view of a part of a food preparation device, showing our new design in a first embodiment; FIG. 2 is a front view of the embodiment shown in FIG. 1; FIG. 3 is a rear view of the embodiment shown in FIG. 1; FIG. 4 is a side view of the embodiment shown in FIG. 1; FIG. 5 is another side view of the embodiment shown in FIG. 1;

FIG. 6 is a top view of the embodiment shown in FIG. 1; FIG. 7 is a bottom view of the embodiment shown in FIG. 1;

FIG. 8 is a perspective view of a food preparation device, showing our new design in a used environment;

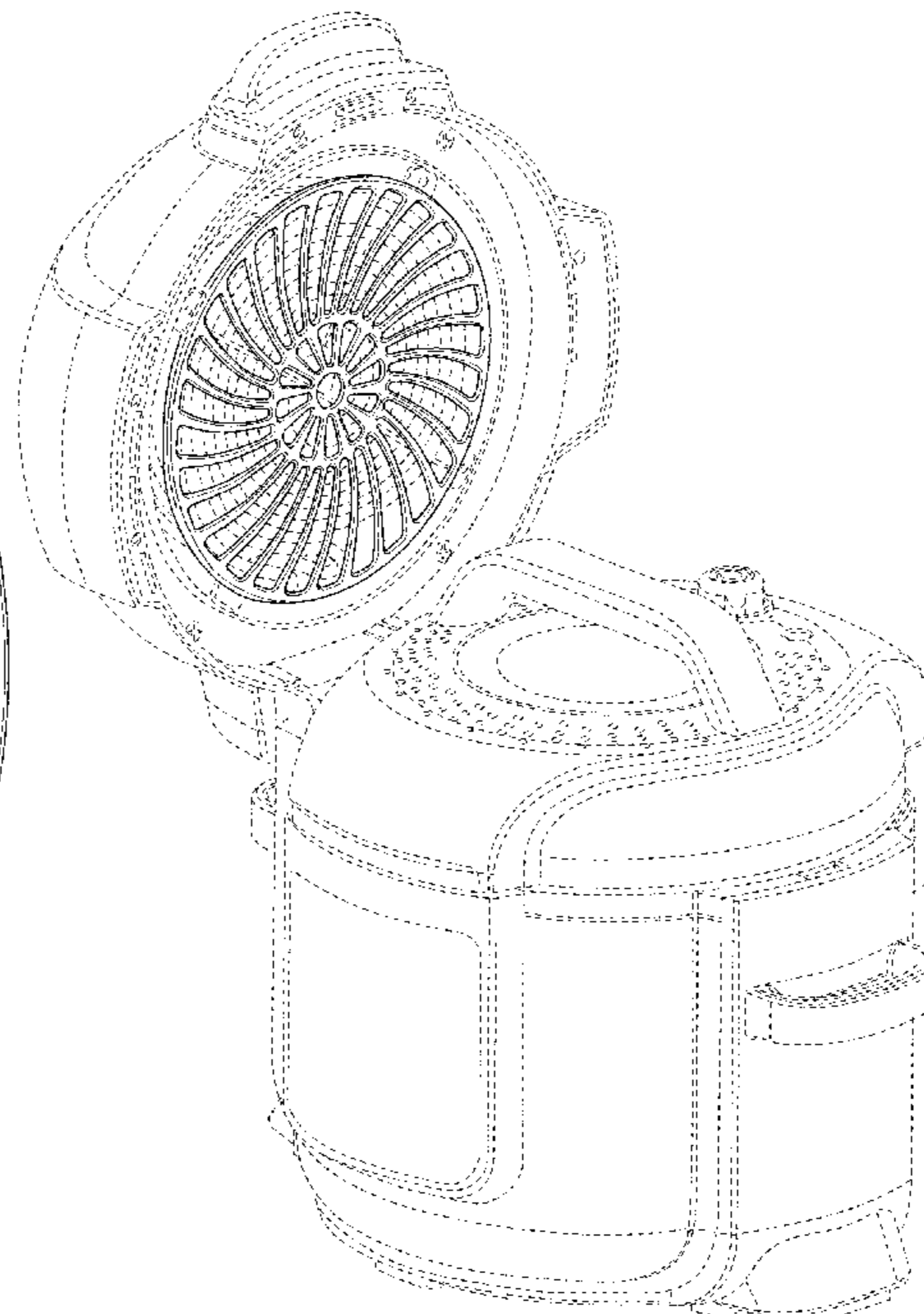
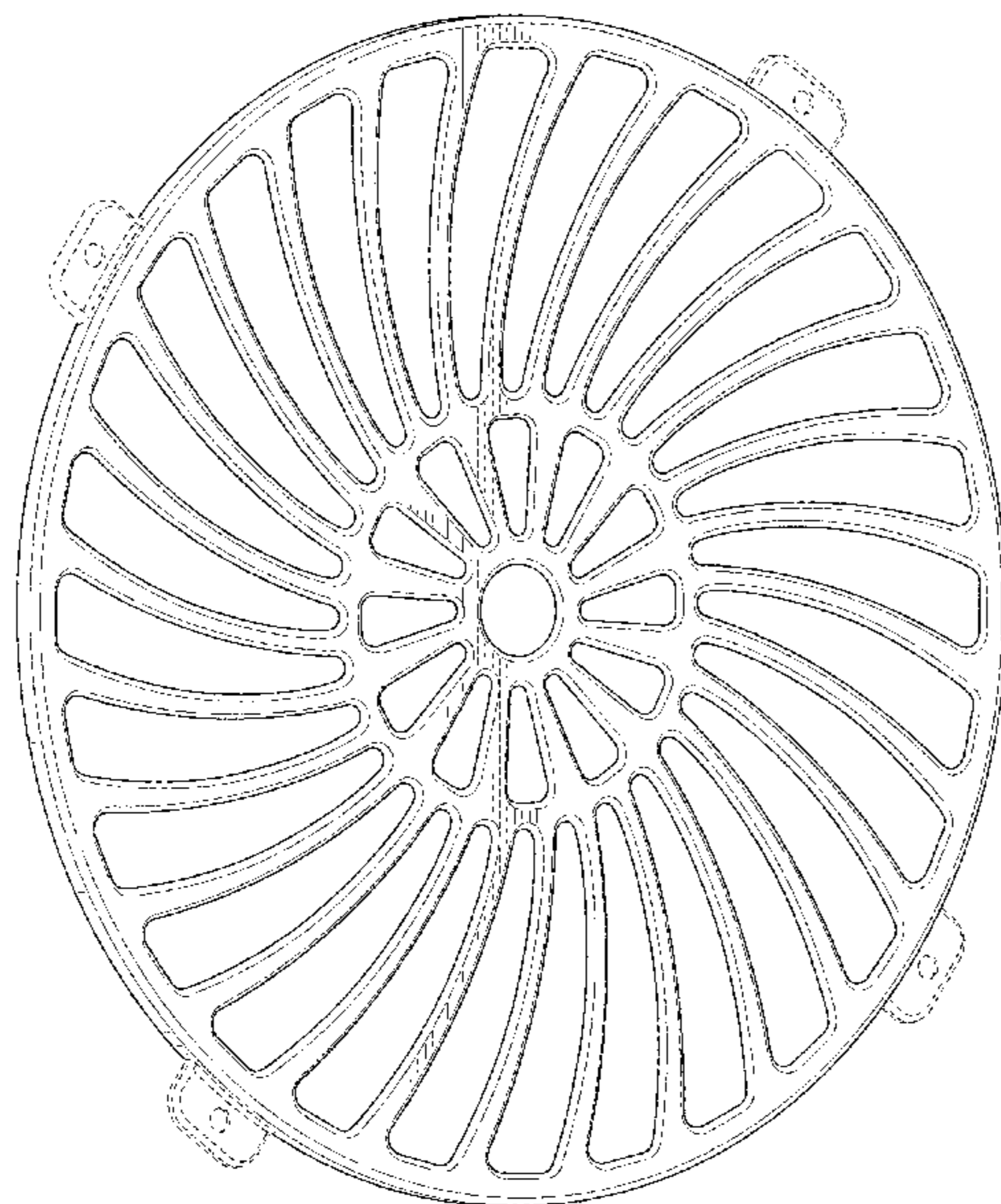
FIG. 9 is a front view of the embodiment shown in FIG. 8; FIG. 10 is a rear view of the embodiment shown in FIG. 8; FIG. 11 is a side view of the embodiment shown in FIG. 8; FIG. 12 is another side view of the embodiment shown in FIG. 8;

FIG. 13 is a top view of the embodiment shown in FIG. 8; and,

FIG. 14 is a bottom view of the embodiment shown in FIG. 8.

The broken lines in the figures are for environmental purposes only and form no part of the claimed design.

1 Claim, 12 Drawing Sheets



(58) **Field of Classification Search**

CPC A23L 1/01; A23L 1/0107; A23L 1/0114;
 A47J 27/00; A47J 27/08; A47J 27/09;
 A47J 27/092; A47J 36/025; A47J 36/06;
 A47J 36/08; A47J 36/10; A47J 36/12;
 A47J 36/165; A47J 36/18; A47J 36/20;
 A47J 36/22; A47J 37/00; A47J 37/12;
 A47J 37/1204; A47J 37/1209; A47J
 37/1214; A47J 37/1219; A47J 37/1266;
 A47J 37/1285; A47J 37/129; A47J
 37/1295; A47J 39/003; G07F 17/0064;
 G07F 17/0078; G07F 17/0085; H05B
 6/02; H05B 6/06; H05B 6/12

See application file for complete search history.

(56) **References Cited**

U.S. PATENT DOCUMENTS

3,529,582 A 9/1970 Hurko et al.
 3,821,454 A 6/1974 Lobel
 3,828,760 A 8/1974 Farber et al.
 4,106,486 A 8/1978 Lee
 4,148,250 A 4/1979 Miki et al.
 4,162,741 A 7/1979 Walker et al.
 4,210,072 A 7/1980 Pedrini
 4,241,288 A 12/1980 Aoshima et al.
 4,268,741 A 5/1981 O'Brien
 4,374,318 A 2/1983 Gilliom
 4,484,063 A 11/1984 Whittenburg et al.
 4,509,412 A 4/1985 Whittenburg et al.
 4,591,698 A 5/1986 Chang
 4,728,762 A 3/1988 Roth et al.
 4,771,162 A 9/1988 Schatz
 4,848,217 A 7/1989 Koziol
 5,000,085 A 3/1991 Archer
 5,029,519 A 7/1991 Boyen
 5,031,519 A 7/1991 Toida et al.
 5,048,400 A 9/1991 Ueda et al.
 5,092,229 A 3/1992 Chen
 5,105,725 A 4/1992 Haglund
 5,205,274 A 4/1993 Smith et al.
 5,251,542 A 10/1993 Itoh
 5,355,777 A 10/1994 Chen et al.
 5,416,950 A 5/1995 Dornbush et al.
 5,445,061 A 8/1995 Barradas
 5,485,780 A 1/1996 Koether et al.
 5,513,558 A 5/1996 Erickson et al.
 5,526,374 A 6/1996 Harrison
 5,526,734 A 6/1996 Harrison
 5,549,039 A 8/1996 Ito et al.
 5,567,458 A 10/1996 Wu
 5,588,352 A 12/1996 Harrison
 5,590,583 A 1/1997 Harrison
 5,615,607 A 4/1997 Delaquis et al.
 5,632,403 A 5/1997 Deng
 5,649,476 A 7/1997 Montagnino et al.
 5,699,722 A 12/1997 Erickson et al.
 5,740,721 A 4/1998 Bizard et al.
 5,768,976 A 6/1998 Suk
 5,839,357 A 11/1998 Ha et al.
 5,932,130 A 8/1999 Taino
 5,967,021 A 10/1999 Yung
 6,191,393 B1 2/2001 Park
 6,268,592 B1 7/2001 Hu et al.
 6,269,737 B1 8/2001 Rigney et al.
 6,455,085 B1 9/2002 Duta
 6,467,645 B2 10/2002 Park
 6,617,554 B2 12/2003 Moon et al.
 D487,212 S 3/2004 Park
 6,698,337 B1 3/2004 Park
 6,903,310 B1 6/2005 Lee
 6,936,795 B1 8/2005 Moon et al.
 7,012,220 B2 3/2006 Boyer et al.
 7,086,326 B2 8/2006 Yokoyama
 7,148,451 B2 12/2006 Miyake et al.

D555,777 S * 11/2007 Aveldson D23/365
 D592,445 S * 5/2009 Sorenson D7/359
 7,530,302 B2 5/2009 Stephanou
 7,605,349 B2 10/2009 Gaynor et al.
 7,619,186 B2 11/2009 Cavada et al.
 7,766,003 B2 8/2010 Kim
 7,800,022 B2 9/2010 Kim
 7,964,824 B2 6/2011 Moon
 7,968,824 B2 6/2011 Lee et al.
 D669,730 S * 10/2012 Mandil D7/354
 8,286,548 B2 10/2012 Krishnan et al.
 8,330,083 B2 12/2012 Moon et al.
 8,338,757 B2 12/2012 Isoda et al.
 8,461,488 B2 6/2013 Jeong et al.
 8,578,293 B2 11/2013 Breunig et al.
 8,581,137 B2 11/2013 Egenter
 8,640,908 B2 2/2014 Yang et al.
 8,709,905 B2 4/2014 Crayfourd
 8,766,144 B2 7/2014 McLoughlin et al.
 8,783,947 B2 7/2014 Ferron et al.
 8,808,772 B2 8/2014 Lubrina et al.
 9,035,223 B2 5/2015 Noguchi et al.
 D735,520 S * 8/2015 Mandil D7/354
 D738,676 S * 9/2015 Accoceberry D7/354
 9,191,998 B2 11/2015 Hegedis et al.
 D749,906 S * 2/2016 Lee D7/362
 D750,421 S * 3/2016 Ho D7/360
 9,414,713 B2 8/2016 Jinzhao
 9,433,036 B2 8/2016 Kurtimoto et al.
 D770,221 S * 11/2016 Lee D7/352
 D774,350 S * 12/2016 Mandil D7/354
 D774,356 S 12/2016 Maiorana et al.
 9,615,692 B2 4/2017 Hoffmann et al.
 9,648,985 B2 5/2017 Huang et al.
 9,706,871 B2 7/2017 Matthijs
 D809,340 S * 2/2018 Poon D7/409
 9,924,830 B1 3/2018 Glucksman et al.
 D817,697 S * 5/2018 Zhao D7/359
 10,021,889 B2 7/2018 Vinett
 10,057,946 B2 8/2018 Mills et al.
 10,076,206 B2 9/2018 Chameroy et al.
 D833,204 S * 11/2018 Lee D7/359
 10,123,656 B2 11/2018 Shanmugam
 D838,548 S 1/2019 Schutte
 10,231,565 B2 3/2019 Song et al.
 10,244,883 B2 4/2019 Chameroy et al.
 2002/0185012 A1 12/2002 Yokoyama
 2004/0045446 A1 3/2004 Park
 2004/0222208 A1 11/2004 Ko
 2005/0034716 A1 2/2005 Harbin
 2005/0223906 A1 10/2005 Xu
 2007/0095215 A1 5/2007 Ho et al.
 2008/0022861 A1 1/2008 Ferron
 2008/0105137 A1 5/2008 Genslak et al.
 2008/0142498 A1 6/2008 He et al.
 2008/0223224 A1 9/2008 Martin
 2009/0011101 A1 1/2009 Doherty et al.
 2009/0223380 A1 9/2009 Van Aken
 2009/0223386 A1 9/2009 Edwards
 2010/0136194 A1 6/2010 Schutte
 2010/0147159 A1 6/2010 Fossati
 2010/0206289 A1 8/2010 Larsen et al.
 2010/0282097 A1 11/2010 Schulte
 2011/0126719 A1 6/2011 Valance
 2011/0146653 A1 6/2011 Kitatani
 2011/0147376 A1 6/2011 Ueda et al.
 2011/0248020 A1 10/2011 Yuan
 2012/0003364 A1 1/2012 Kling et al.
 2012/0024164 A1 2/2012 Park et al.
 2012/0024169 A1 2/2012 Hsu
 2012/0217252 A1 8/2012 Jung
 2012/0222665 A1 9/2012 Ahmed
 2012/0318149 A1 12/2012 Ahmed
 2013/0074702 A1 3/2013 Difante
 2013/0092145 A1 4/2013 Murphy et al.
 2013/0276643 A1 10/2013 Krolick et al.
 2013/0333685 A1 12/2013 Jeong et al.
 2014/0102315 A1 4/2014 Park
 2014/0157994 A1 6/2014 Ryan et al.

(56)

References Cited

U.S. PATENT DOCUMENTS

2014/0199459 A1 7/2014 Jackson et al.
 2014/0220196 A1 8/2014 Veloo
 2014/0227411 A1 8/2014 Popeil et al.
 2014/0353316 A1 12/2014 Lin
 2015/0366402 A1 12/2015 Wu et al.
 2016/0037955 A1 2/2016 Kim
 2016/0123660 A1 5/2016 Peng
 2016/0374510 A1 12/2016 Albizuri Landazabal
 2017/0020334 A1 1/2017 Sorenson et al.
 2018/0263084 A1 9/2018 Yoshino et al.
 2018/0296019 A1 10/2018 Kim et al.
 2018/0325318 A1 11/2018 De Longhi et al.
 2018/0333004 A1 11/2018 DeLonghi
 2019/0008316 A1 1/2019 Kim et al.
 2019/0045973 A1* 2/2019 Gill A47J 39/003
 2019/0082876 A1 3/2019 Shi et al.

FOREIGN PATENT DOCUMENTS

CN 2389593 Y 8/2000
 CN 2450993 Y 10/2001
 CN 2469839 Y 1/2002
 CN 2479871 Y 3/2002
 CN 1139352 C 2/2004
 CN 1148142 C 5/2004
 CN 1158963 C 7/2004
 CN 2719176 y 8/2005
 CN 1883351 A 12/2006
 CN 2855256 Y 1/2007
 CN 2904903 Y 5/2007
 CN 1981682 A 6/2007
 CN 1985727 A 6/2007
 CN 1989884 A 7/2007
 CN 100998476 A 7/2007
 CN 101023842 A 8/2007
 CN 101053485 A 10/2007
 CN 200987595 y 12/2007
 CN 101099635 A 1/2008
 CN 101108064 A 1/2008
 CN 101112291 A 1/2008
 CN 101112292 A 1/2008
 CN 101112293 A 1/2008
 CN 101142448 A 3/2008
 CN 101185556 A 5/2008
 CN 100401957 C 7/2008
 CN 101209179 A 7/2008
 CN 101209180 A 7/2008
 CN 201079267 Y 7/2008
 CN 100425186 C 10/2008
 CN 100428906 C 10/2008
 CN 101273834 A 10/2008
 CN 201139427 y 10/2008
 CN 101322614 A 12/2008
 CN 201197609 Y 2/2009
 CN 100464682 C 3/2009
 CN 100469289 C 3/2009
 CN 201207144 Y 3/2009
 CN 101432608 A 5/2009
 CN 101438929 A 5/2009
 CN 100496350 C 6/2009
 CN 100522018 C 8/2009
 CN 100531628 C 8/2009
 CN 100534363 C 9/2009
 CN 101518409 A 9/2009
 CN 100559999 C 11/2009
 CN 201365839 Y 12/2009
 CN 100588351 C 2/2010
 CN 101669761 A 3/2010
 CN 101766443 A 7/2010
 CN 101791190 A 8/2010
 CN 101828856 A 9/2010
 CN 101856086 A 10/2010
 CN 201602600 U 10/2010
 CN 201624512 U 11/2010
 CN 101936550 A 1/2011

CN 101940273 A 1/2011
 CN 101420893 B 2/2011
 CN 101977536 A 2/2011
 CN 201888709 U 7/2011
 CN 201929758 U 8/2011
 CN 201948771 U 8/2011
 CN 102178445 A 9/2011
 CN 102178464 A 9/2011
 CN 201958652 U 9/2011
 CN 101305890 b 11/2011
 CN 102240164 A 11/2011
 CN 102307500 A 1/2012
 CN 102313306 A 2/2012
 CN 102349791 A 2/2012
 CN 202151310 U 2/2012
 CN 102368936 A 3/2012
 CN 202184614 U 4/2012
 CN 101692958 B 5/2012
 CN 202207075 U 5/2012
 CN 202234720 U 5/2012
 CN 202234761 U 5/2012
 CN 202312886 U 7/2012
 CN 102670079 A 9/2012
 CN 202408428 U 9/2012
 CN 202408455 U 9/2012
 CN 102755120 A 10/2012
 CN 102824120 A 12/2012
 CN 202619362 U 12/2012
 CN 102100481 B 1/2013
 CN 202636678 U 1/2013
 CN 103006092 A 4/2013
 CN 202858889 U 4/2013
 CN 103142128 A 6/2013
 CN 103142151 A 6/2013
 CN 103169371 A 6/2013
 CN 103179884 A 6/2013
 CN 202960194 U 6/2013
 CN 202981682 U 6/2013
 CN 203000535 U 6/2013
 CN 103188947 A 7/2013
 CN 103188970 A 7/2013
 CN 103220947 A 7/2013
 CN 103222807 A 7/2013
 CN 203041954 U 7/2013
 CN 203041955 U 7/2013
 CN 102342739 B 8/2013
 CN 203122175 U 8/2013
 CN 103299132 A 9/2013
 CN 203195497 U 9/2013
 CN 203195499 U 9/2013
 CN 103375826 A 10/2013
 CN 203234602 U 10/2013
 CN 203234613 U 10/2013
 CN 102319018 B 11/2013
 CN 203302862 U 11/2013
 CN 103445669 A 12/2013
 CN 102397005 B 1/2014
 CN 203407931 U 1/2014
 CN 103649643 A 3/2014
 CN 103750730 A 4/2014
 CN 203539138 U 4/2014
 CN 203597772 U 5/2014
 CN 203615383 U 5/2014
 CN 203634023 U 6/2014
 CN 203647141 U 6/2014
 CN 203662545 U 6/2014
 CN 103892696 A 7/2014
 CN 103948308 A 7/2014
 CN 203693372 U 7/2014
 CN 203723888 U 7/2014
 CN 104000478 A 8/2014
 CN 203762926 U 8/2014
 CN 203776718 U 8/2014
 CN 203776719 U 8/2014
 CN 203776729 U 8/2014
 CN 203828675 U 9/2014
 CN 203873602 U 10/2014
 CN 203885286 U 10/2014
 CN 203953373 U 11/2014

(56)

References Cited

FOREIGN PATENT DOCUMENTS

CN	203970073	U	12/2014	CN	105455664	A	4/2016
CN	203970160	U	12/2014	CN	105455671	A	4/2016
CN	203987492	U	12/2014	CN	105476461	A	4/2016
CN	203987520	U	12/2014	CN	105476464	A	4/2016
CN	203987550	U	12/2014	CN	105476472	A	4/2016
CN	203987551	U	12/2014	CN	105476491	A	4/2016
CN	204016055	U	12/2014	CN	105496184	A	4/2016
CN	204016056	U	12/2014	CN	105496185	A	4/2016
CN	204049362	U	12/2014	CN	105496224	A	4/2016
CN	204091768	U	1/2015	CN	205126014	U	4/2016
CN	104323708	A	2/2015	CN	105534269	A	5/2016
CN	104367182	A	2/2015	CN	105559571	A	5/2016
CN	204133165	U	2/2015	CN	105595792	A	5/2016
CN	204133291	U	2/2015	CN	105595803	A	5/2016
CN	204158183	U	2/2015	CN	205197727	U	5/2016
CN	104433841	A	3/2015	CN	205214967	U	5/2016
CN	204192406	U	3/2015	CN	205215045	U	5/2016
CN	104490294	A	4/2015	CN	102440681	B	6/2016
CN	104613515	A	5/2015	CN	102783908	B	6/2016
CN	104622274	A	5/2015	CN	103648337	B	6/2016
CN	104676681	A	6/2015	CN	105615638	A	6/2016
CN	104688019	A	6/2015	CN	105615639	A	6/2016
CN	104706212	A	6/2015	CN	105615686	A	6/2016
CN	104754992	A	7/2015	CN	105640299	A	6/2016
CN	104757872	A	7/2015	CN	105640302	A	6/2016
CN	104814665	A	8/2015	CN	105640309	A	6/2016
CN	104856561	A	8/2015	CN	105640351	A	6/2016
CN	104856563	A	8/2015	CN	105662112	A	6/2016
CN	204580991	U	8/2015	CN	105662125	A	6/2016
CN	104873098	A	9/2015	CN	105662126	A	6/2016
CN	104887063	A	9/2015	CN	105662127	A	6/2016
CN	204636063	U	9/2015	CN	105708312	A	6/2016
CN	104983318	A	10/2015	CN	205322075	U	6/2016
CN	104997394	A	10/2015	CN	104605727	B	7/2016
CN	204697804	U	10/2015	CN	105725730	A	7/2016
CN	105011741	A	11/2015	CN	105725829	A	7/2016
CN	105030035	A	11/2015	CN	105768859	A	7/2016
CN	105054772	B	11/2015	CN	105768860	A	7/2016
CN	105054773	B	11/2015	CN	103908166	B	8/2016
CN	204734374	U	11/2015	CN	105816023	A	8/2016
CN	204743846	U	11/2015	CN	105832176	A	8/2016
CN	204765197	U	11/2015	CN	105852667	A	8/2016
CN	204797615	U	11/2015	CN	105852668	A	8/2016
CN	204797616	U	11/2015	CN	105902144	A	8/2016
CN	103813738	B	12/2015	CN	105902150	A	8/2016
CN	105105624	A	12/2015	CN	205410811	U	8/2016
CN	105105626	A	12/2015	CN	205425108	U	8/2016
CN	105167591	B	12/2015	CN	205433281	U	8/2016
CN	105167592	A	12/2015	CN	205433317	U	8/2016
CN	105193301	A	12/2015	CN	205433320	U	8/2016
CN	204839219	U	12/2015	CN	105919411	A	9/2016
CN	204889693	U	12/2015	CN	105919417	A	9/2016
CN	105212693	B	1/2016	CN	105935244	A	9/2016
CN	105212730	A	1/2016	CN	105935258	A	9/2016
CN	105231811	A	1/2016	CN	105972653	A	9/2016
CN	105231812	A	1/2016	CN	205568641	U	9/2016
CN	105231813	A	1/2016	CN	205568772	U	9/2016
CN	105266565	A	1/2016	CN	205597052	U	9/2016
CN	105266577	A	1/2016	CN	105982529	A	10/2016
CN	204995259	U	1/2016	CN	105996737	A	10/2016
CN	105286496	A	2/2016	CN	105996752	A	10/2016
CN	105286498	A	2/2016	CN	105996753	A	10/2016
CN	105286627	A	2/2016	CN	106037448	A	10/2016
CN	105326332	A	2/2016	CN	106037457	A	10/2016
CN	105342454	A	2/2016	CN	106037458	A	10/2016
CN	205018878	U	2/2016	CN	106073481	A	11/2016
CN	105380512	A	3/2016	CN	106073517	A	11/2016
CN	105380513	A	3/2016	CN	106108627	A	11/2016
CN	105380514	A	3/2016	CN	106108631	A	11/2016
CN	105411378	A	3/2016	CN	106166030	A	11/2016
CN	105411379	A	3/2016	CN	205671926	U	11/2016
CN	105433778	A	3/2016	CN	205671927	U	11/2016
CN	105433779	A	3/2016	CN	106175412	A	12/2016
CN	105451610	A	3/2016	CN	106175476	A	12/2016
CN	105455628	A	4/2016	CN	106213979	A	12/2016
				CN	106235878	A	12/2016
				CN	205831665	U	12/2016
				CN	106264085	A	1/2017
				CN	106264095	A	1/2017

(56)

References Cited

FOREIGN PATENT DOCUMENTS

CN	106343895	A	1/2017	CN	107440490	A	12/2017
CN	205860134	U	1/2017	CN	107468052	A	12/2017
CN	106377158	A	2/2017	CN	107495849	A	12/2017
CN	106377159	A	2/2017	CN	107495856	A	12/2017
CN	106388565	A	2/2017	CN	107510356	A	12/2017
CN	106388572	A	2/2017	CN	107510379	A	12/2017
CN	106419486	A	2/2017	CN	206687606	U	12/2017
CN	106419521	A	2/2017	CN	106213986	B	1/2018
CN	106419524	A	2/2017	CN	107550258	A	1/2018
CN	102805554	B	3/2017	CN	107616686	A	1/2018
CN	106473623	A	3/2017	CN	107647763	A	2/2018
CN	106490967	A	3/2017	CN	107647769	A	2/2018
CN	106510449	A	3/2017	CN	107647771	A	2/2018
CN	206026100	U	3/2017	CN	107647772	A	2/2018
CN	206044349	U	3/2017	CN	107647777	A	2/2018
CN	106551617	A	4/2017	CN	107660996	A	2/2018
CN	106580074	A	4/2017	CN	107660997	A	2/2018
CN	206062888	U	4/2017	CN	107684336	A	2/2018
CN	206102391	U	4/2017	CN	107684337	A	2/2018
CN	206119969	U	4/2017	CN	107684338	A	2/2018
CN	106618154	A	5/2017	CN	107684339	A	2/2018
CN	106667244	A	5/2017	CN	107684340	A	2/2018
CN	106691171	A	5/2017	CN	107684341	A	2/2018
CN	206166726	U	5/2017	CN	107684342	A	2/2018
CN	106805744	A	6/2017	CN	107692806	A	2/2018
CN	106805746	A	6/2017	CN	107702838	A	2/2018
CN	106805747	A	6/2017	CN	107713732	A	2/2018
CN	106805749	A	6/2017	CN	107713733	A	2/2018
CN	106805750	A	6/2017	CN	107713734	A	2/2018
CN	106805752	A	6/2017	CN	107726388	A	2/2018
CN	106820951	A	6/2017	CN	106419522	B	3/2018
CN	106820954	A	6/2017	CN	107752726	A	3/2018
CN	106821017	A	6/2017	CN	107752748	A	3/2018
CN	106852641	A	6/2017	CN	107752751	A	3/2018
CN	106859298	A	6/2017	CN	107752788	A	3/2018
CN	106913201	A	7/2017	CN	107773021	A	3/2018
CN	106923655	A	7/2017	CN	107773026	A	3/2018
CN	106943000	A	7/2017	CN	107773029	A	3/2018
CN	106943002	A	7/2017	CN	107773090	A	3/2018
CN	106955017	A	7/2017	CN	107788820	A	3/2018
CN	106974548	A	7/2017	CN	107788827	A	3/2018
CN	106983360	A	7/2017	CN	107811499	A	3/2018
CN	107019418	A	8/2017	CN	107811517	A	3/2018
CN	107019419	A	8/2017	CN	107811518	A	3/2018
CN	107019420	A	8/2017	CN	107822492	A	3/2018
CN	107019423	A	8/2017	CN	107822494	A	3/2018
CN	107048976	A	8/2017	CN	107822496	A	3/2018
CN	107048991	A	8/2017	CN	107836986	A	3/2018
CN	107048993	A	8/2017	CN	107836988	A	3/2018
CN	107105914	A	8/2017	CN	207084680	U	3/2018
CN	104334066	B	9/2017	CN	107874584	A	4/2018
CN	107136910	A	9/2017	CN	107874599	A	4/2018
CN	107136911	A	9/2017	CN	107874601	A	4/2018
CN	107149395	A	9/2017	CN	107874602	A	4/2018
CN	107149398	A	9/2017	CN	107898351	A	4/2018
CN	105142473	B	10/2017	CN	107928388	A	4/2018
CN	107224188	A	10/2017	CN	107928395	A	4/2018
CN	107224197	A	10/2017	CN	107951376	A	4/2018
CN	107232962	A	10/2017	CN	107969907	A	5/2018
CN	107259978	A	10/2017	CN	107969908	A	5/2018
CN	107290094	A	10/2017	CN	107981713	A	5/2018
CN	107296485	A	10/2017	CN	107997571	A	5/2018
CN	107296486	A	10/2017	CN	108013742	A	5/2018
CN	107296487	A	10/2017	CN	108013743	A	5/2018
CN	107296488	A	10/2017	CN	108030404	A	5/2018
CN	107296489	A	10/2017	CN	108041976	A	5/2018
CN	107296490	A	10/2017	CN	108095570	A	6/2018
CN	107296493	A	10/2017	CN	108143256	A	6/2018
CN	107296494	A	10/2017	CN	108143259	A	6/2018
CN	104643954	B	11/2017	CN	108143260	A	6/2018
CN	107307729	A	11/2017	CN	108143261	A	6/2018
CN	107307730	A	11/2017	CN	108143262	A	6/2018
CN	107361637	A	11/2017	CN	108143263	A	6/2018
CN	107397431	A	11/2017	CN	108143264	A	6/2018
CN	107411540	A	12/2017	CN	108158429	A	6/2018
				CN	108209547	A	6/2018
				CN	104207651	B	7/2018
				CN	106175423	A	7/2018
				CN	108244994	A	7/2018

(56)

References Cited

FOREIGN PATENT DOCUMENTS

CN	108244995	A	7/2018	CN	108720577	A	11/2018
CN	108244997	A	7/2018	CN	108720581	A	11/2018
CN	108244998	A	7/2018	CN	108720584	A	11/2018
CN	108244999	A	7/2018	CN	108720585	A	11/2018
CN	108245000	A	7/2018	CN	108720586	A	11/2018
CN	108261055	A	7/2018	CN	108720633	A	11/2018
CN	108261056	A	7/2018	CN	108732958	A	11/2018
CN	108261061	A	7/2018	CN	108771466	A	11/2018
CN	108272336	A	7/2018	CN	108784323	A	11/2018
CN	108272338	A	7/2018	CN	108784324	A	11/2018
CN	108294616	A	7/2018	CN	108784330	A	11/2018
CN	108309035	A	7/2018	CN	108784401	A	11/2018
CN	108324096	A	7/2018	CN	108814274	A	11/2018
CN	106388570	B	8/2018	CN	108836104	A	11/2018
CN	106419517	B	8/2018	CN	108836105	A	11/2018
CN	108354444	A	8/2018	CN	108836107	A	11/2018
CN	108354466	A	8/2018	CN	108836108	A	11/2018
CN	108378678	A	8/2018	CN	108836131	A	11/2018
CN	108378690	A	8/2018	CN	108851966	A	11/2018
CN	108402888	A	8/2018	CN	108851969	A	11/2018
CN	108402889	A	8/2018	CN	108888087	A	11/2018
CN	108402920	A	8/2018	CN	108888099	A	11/2018
CN	108420304	A	8/2018	CN	108903620	A	11/2018
CN	108433529	A	8/2018	CN	108903621	A	11/2018
CN	108451351	A	8/2018	CN	106419520	B	12/2018
CN	108451388	A	8/2018	CN	106419526	B	12/2018
CN	108464732	A	8/2018	CN	108926239	A	12/2018
CN	207754989	U	8/2018	CN	108926249	A	12/2018
CN	207755036	U	8/2018	CN	108937520	A	12/2018
CN	106539491	B	9/2018	CN	108937525	A	12/2018
CN	107019415	B	9/2018	CN	108937556	A	12/2018
CN	107019416	B	9/2018	CN	108937558	A	12/2018
CN	108477987	A	9/2018	CN	108937559	A	12/2018
CN	108497908	A	9/2018	CN	108937560	A	12/2018
CN	108497914	A	9/2018	CN	108955959	A	12/2018
CN	108497918	A	9/2018	CN	108968659	A	12/2018
CN	108497942	A	9/2018	CN	108968660	A	12/2018
CN	108523647	A	9/2018	CN	108968662	A	12/2018
CN	108523649	A	9/2018	CN	108968663	A	12/2018
CN	108552969	A	9/2018	CN	108968667	A	12/2018
CN	108552989	A	9/2018	CN	108968668	A	12/2018
CN	108567309	A	9/2018	CN	108968669	A	12/2018
CN	108567321	A	9/2018	CN	108991918	A	12/2018
CN	108567322	A	9/2018	CN	108991919	A	12/2018
CN	108577514	A	9/2018	CN	109008595	A	12/2018
CN	106264094	B	10/2018	CN	109008598	A	12/2018
CN	108606627	A	10/2018	CN	208259529	U	12/2018
CN	108618592	A	10/2018	CN	106562666	B	1/2019
CN	108618593	A	10/2018	CN	106606293	B	1/2019
CN	108618594	A	10/2018	CN	106724784	B	1/2019
CN	108618595	A	10/2018	CN	106820956	B	1/2019
CN	108618597	A	10/2018	CN	106820957	B	1/2019
CN	108618651	A	10/2018	CN	107019417	B	1/2019
CN	108634771	A	10/2018	CN	109247837	A	1/2019
CN	108634777	A	10/2018	CN	106388566	B	3/2019
CN	108634807	A	10/2018	CN	107174116	B	3/2019
CN	108652431	A	10/2018	CN	107174117	B	3/2019
CN	108652432	A	10/2018	CN	105640308	A	6/2019
CN	108670021	A	10/2018	JP	2014200627	A	10/2014
CN	108670023	A	10/2018	JP	2014204770	A	10/2014
CN	108703644	A	10/2018	WO	9952328	A1	10/1999
CN	108703645	A	10/2018	WO	0044096		7/2000
CN	108703675	A	10/2018	WO	2006122643	A1	11/2006
CN	106580073	B	11/2018	WO	2016007002	A1	1/2016
CN	108720548	A	11/2018	WO	2017076797	A1	5/2017
				WO	2018007218	A1	1/2018

* cited by examiner

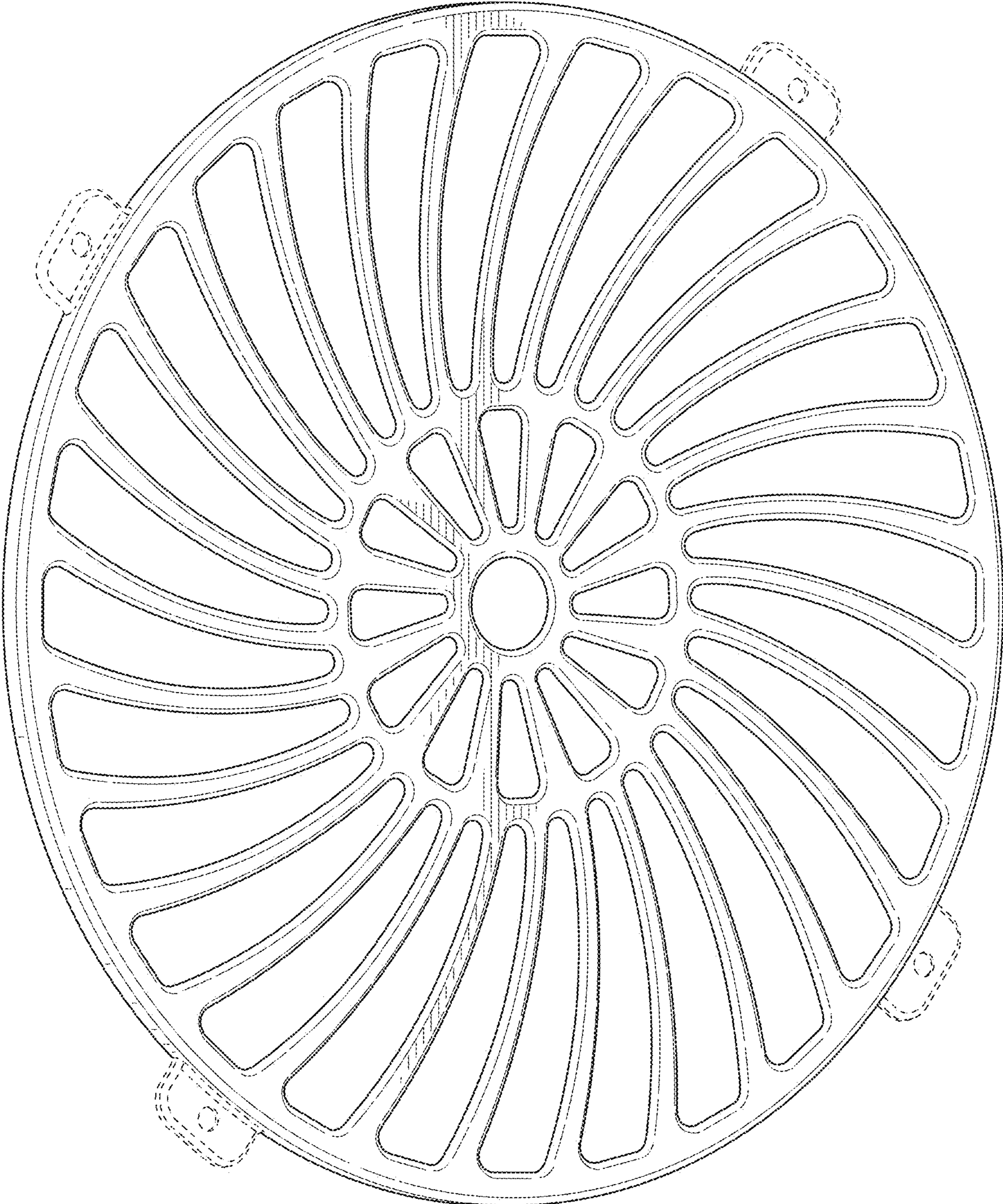


FIG. 1

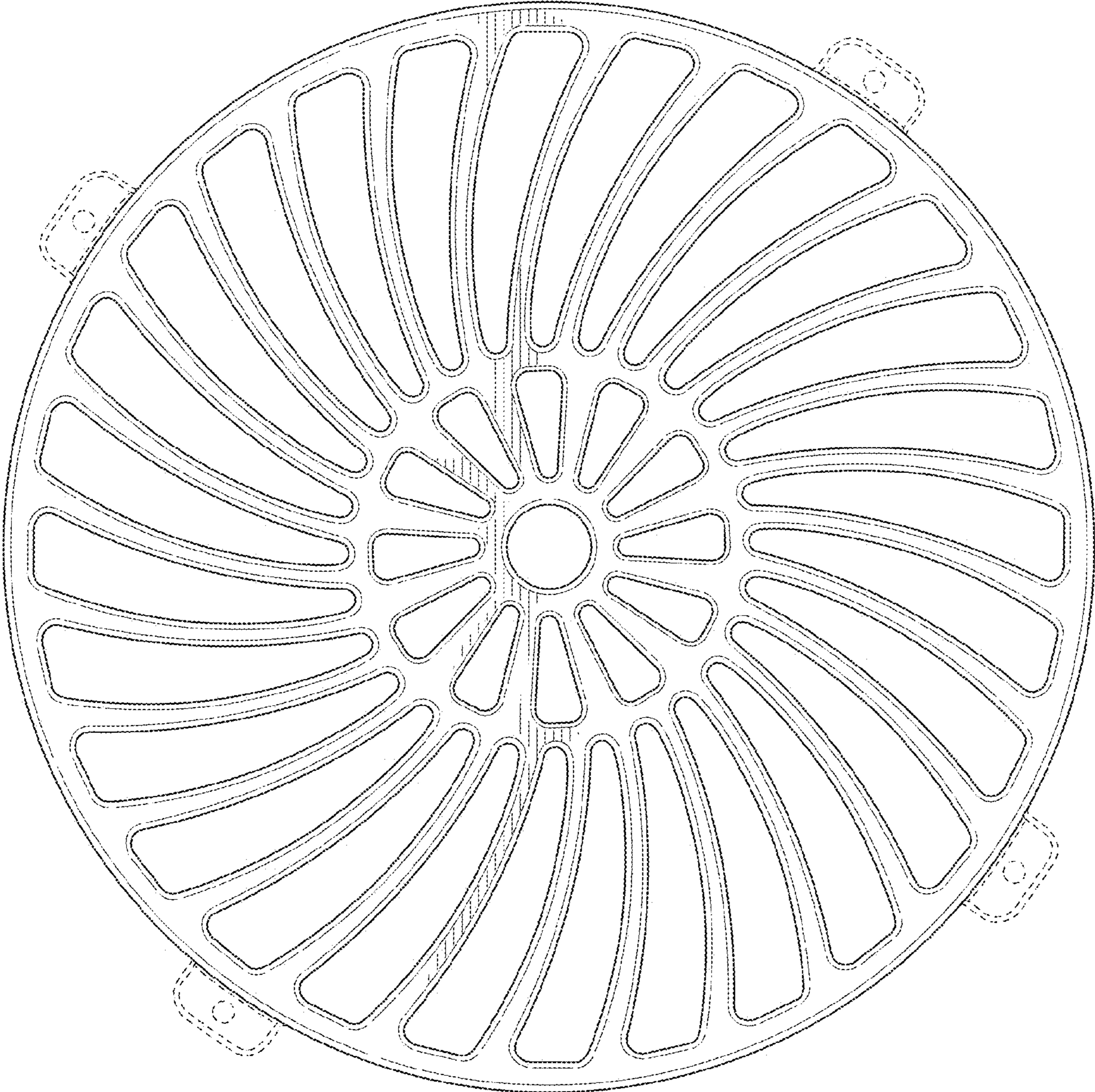


FIG. 2

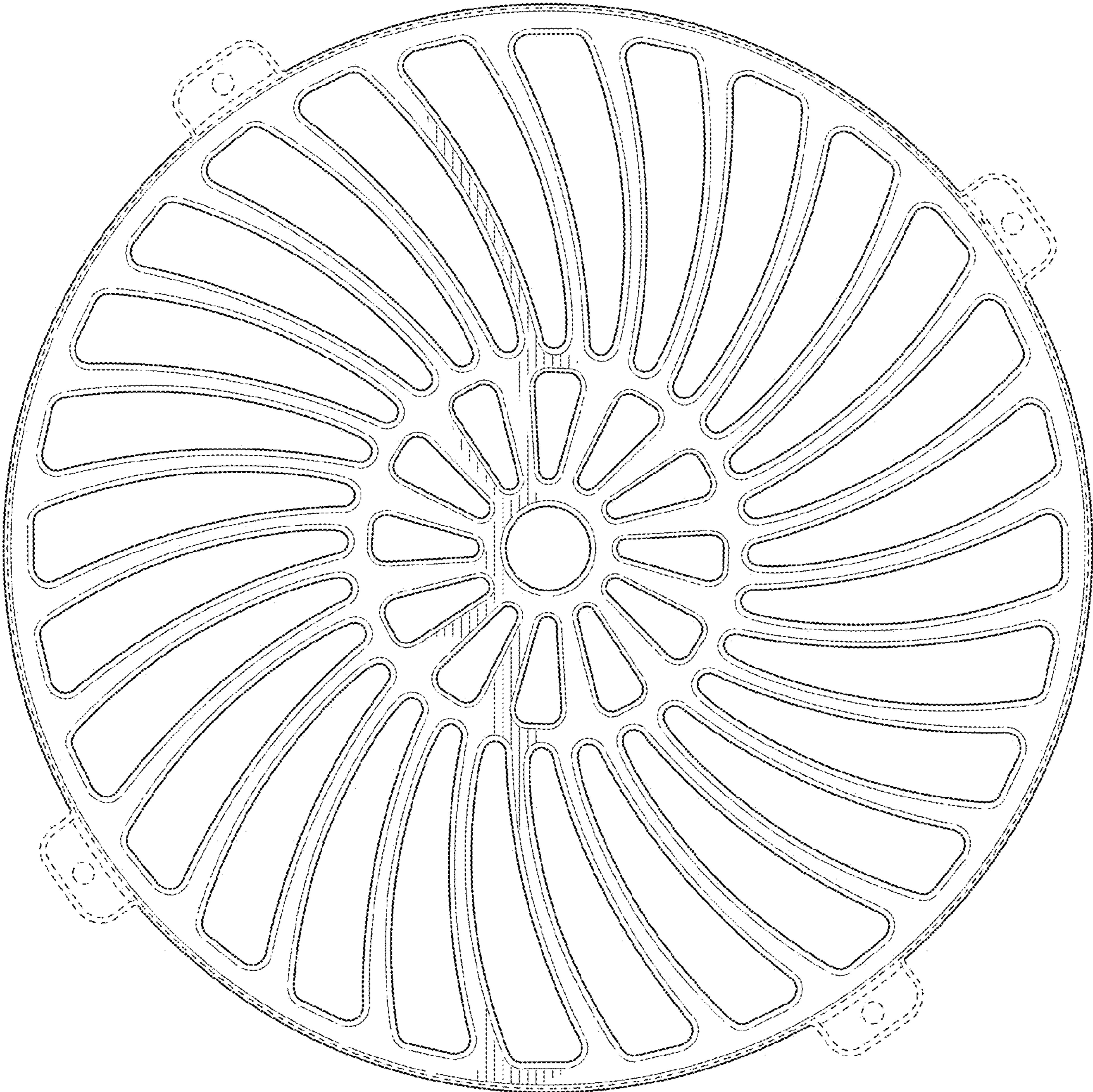


FIG. 3

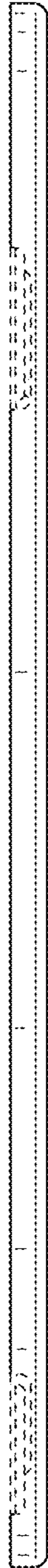


FIG. 4

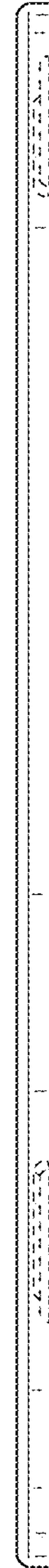


FIG. 5

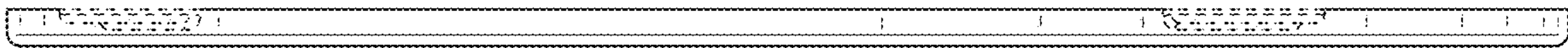


FIG. 6

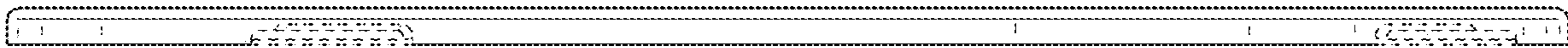


FIG. 7

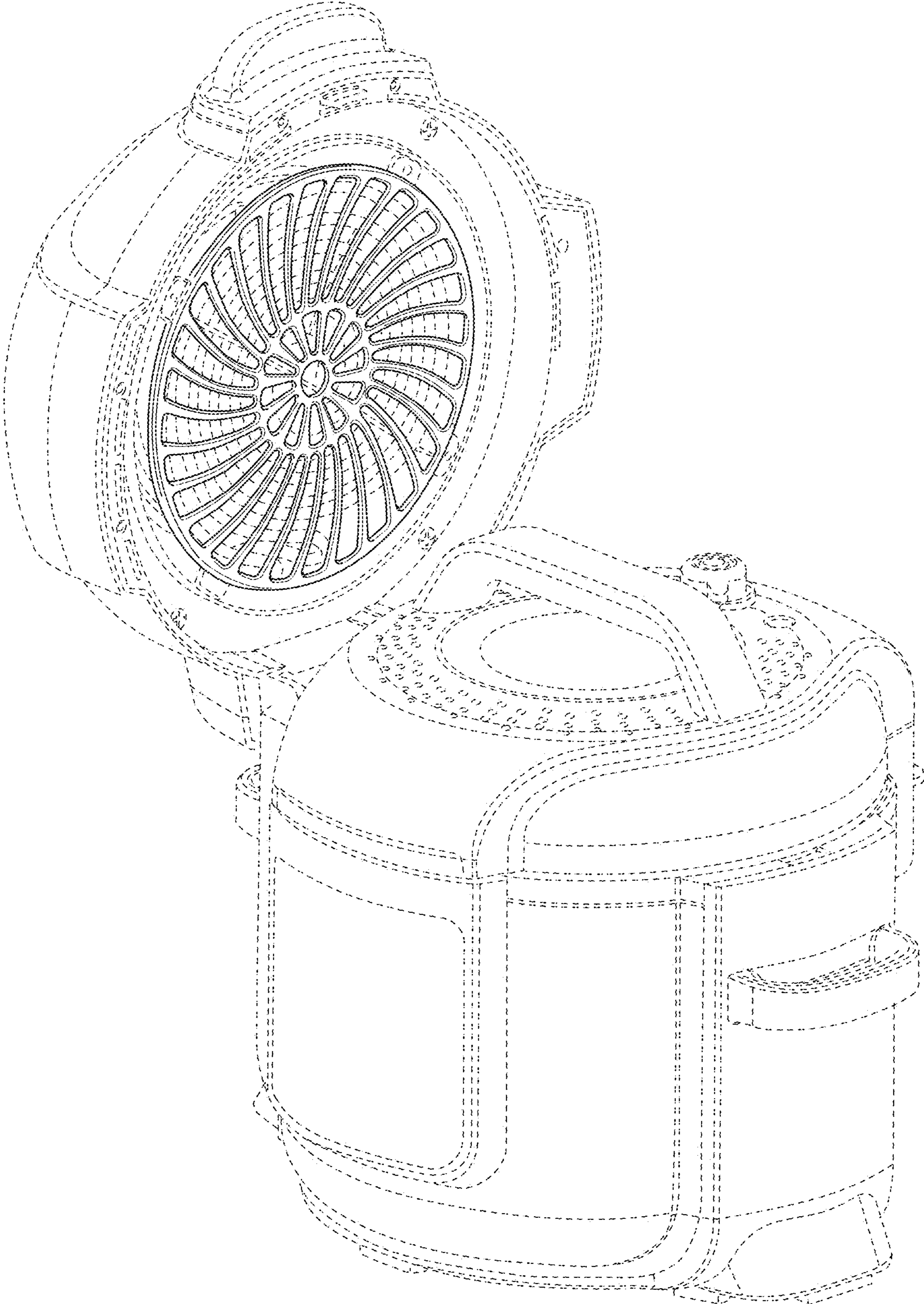


FIG. 8

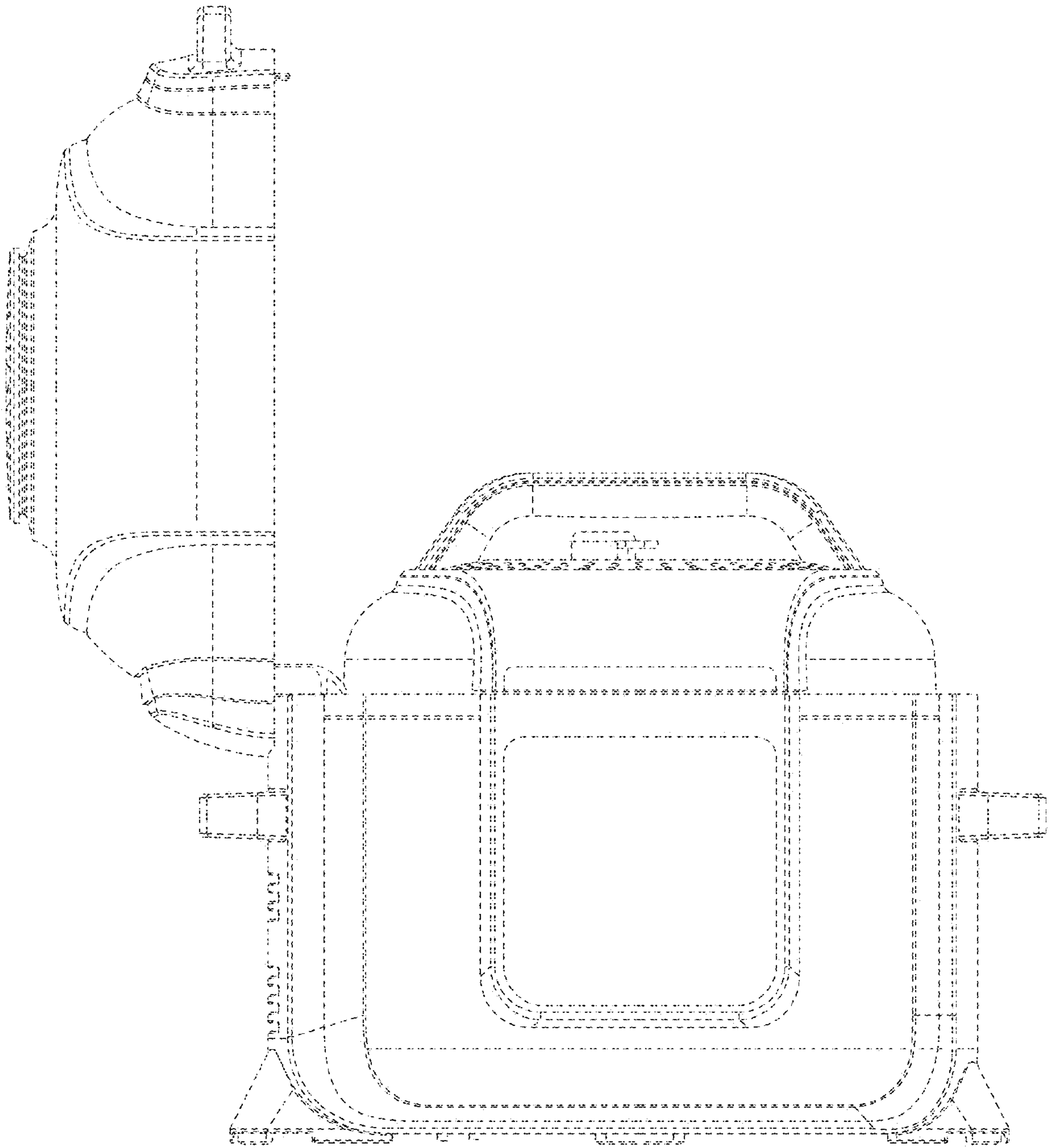


FIG. 9

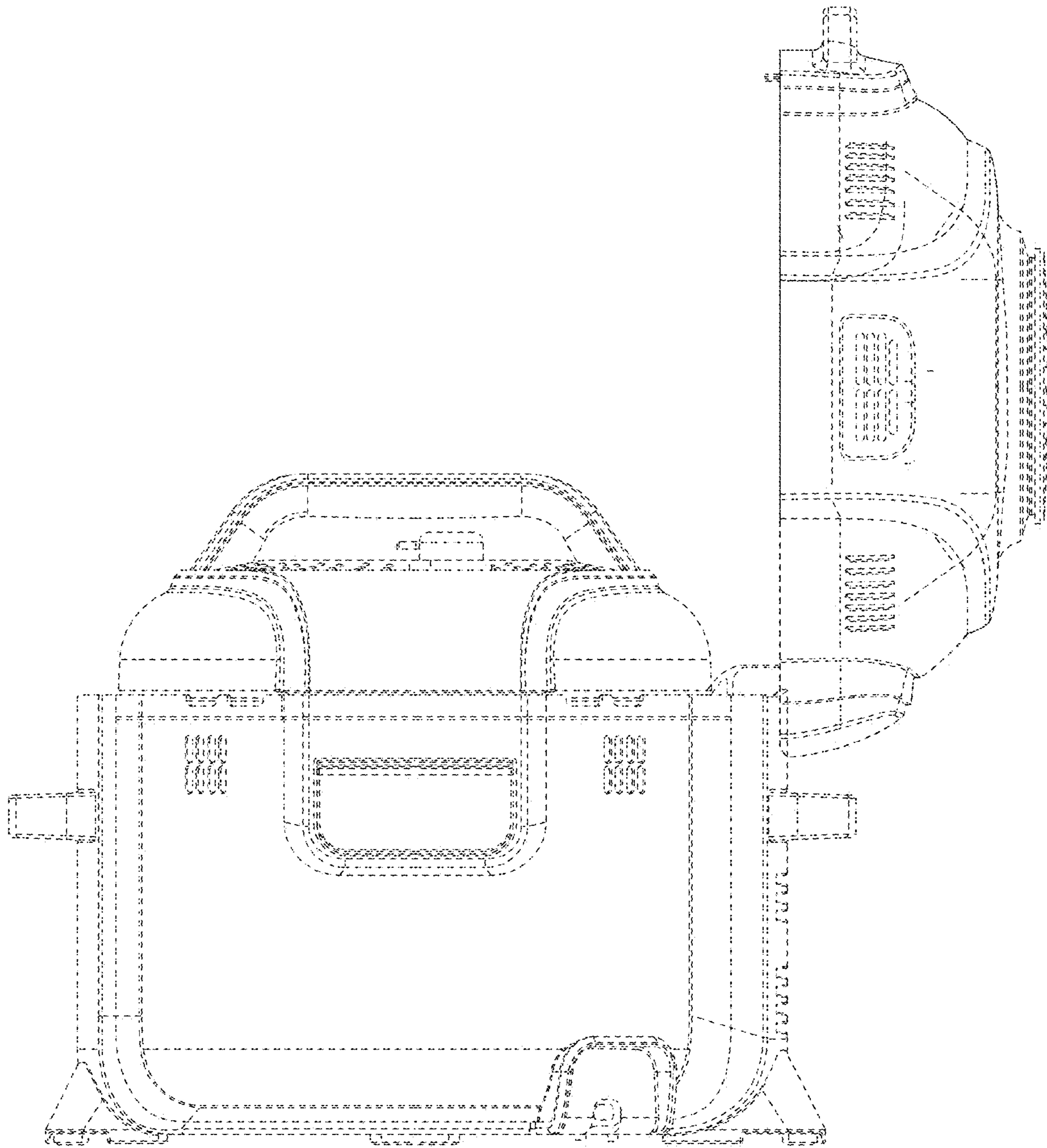


FIG. 10

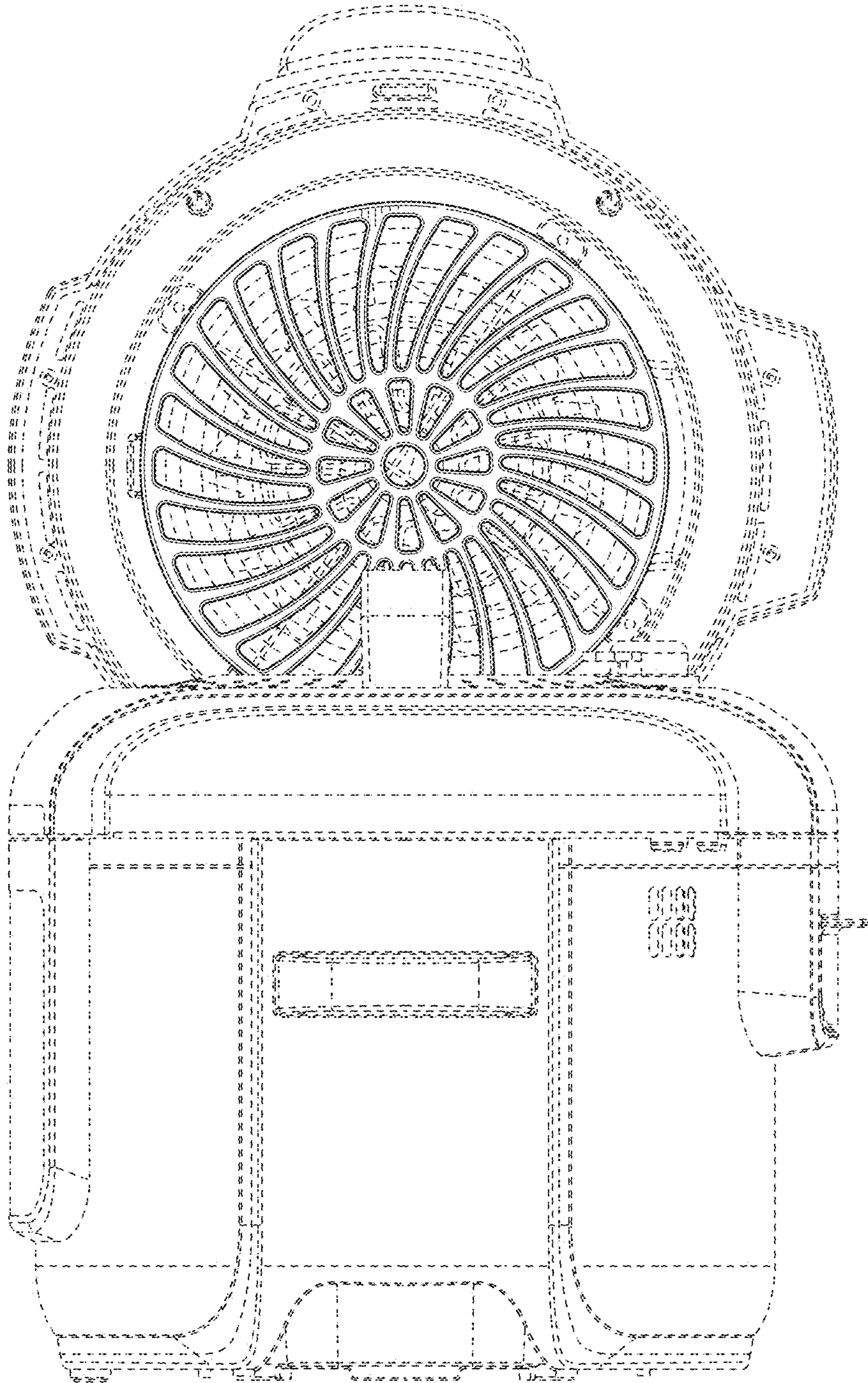


FIG. 11

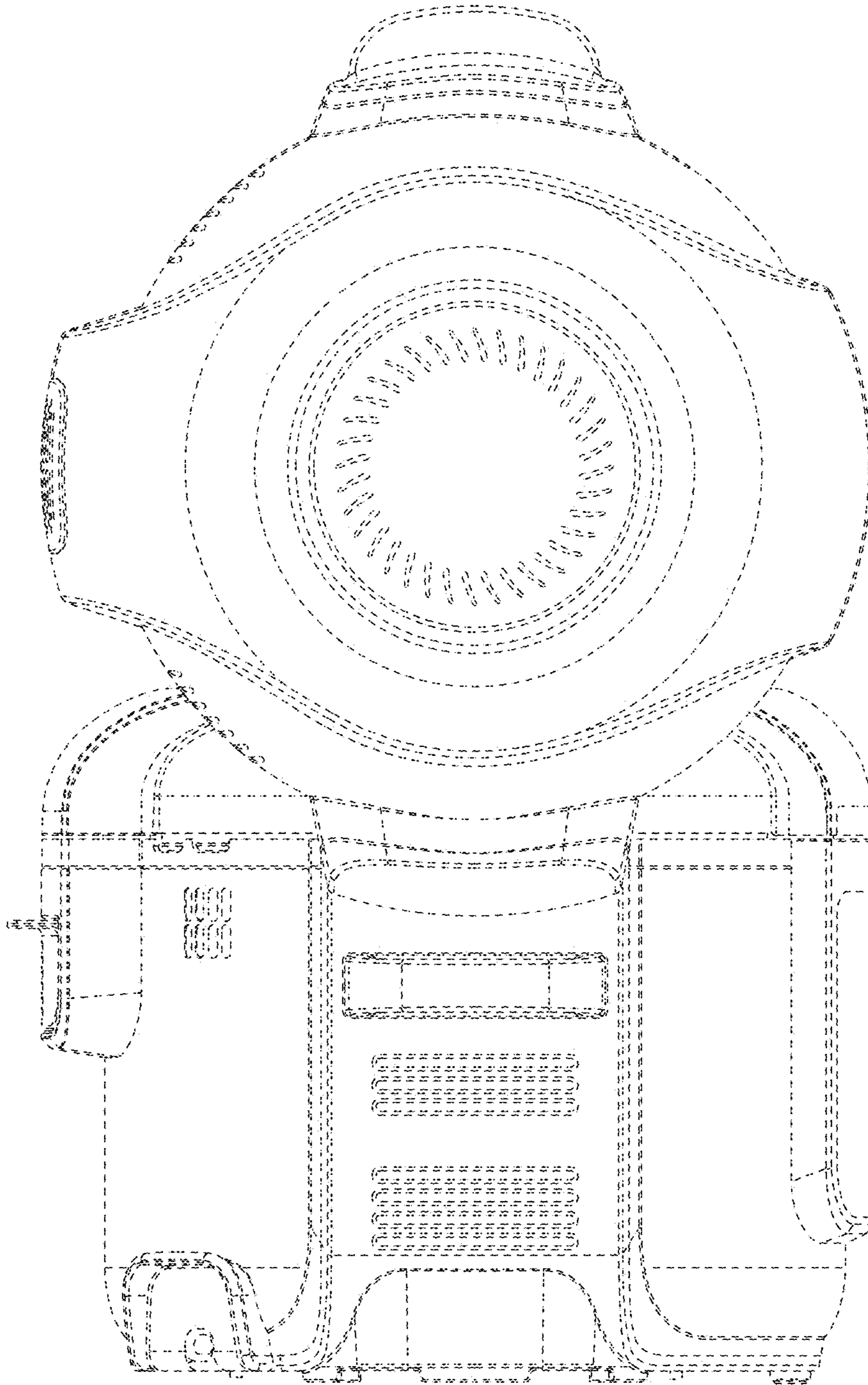


FIG. 12

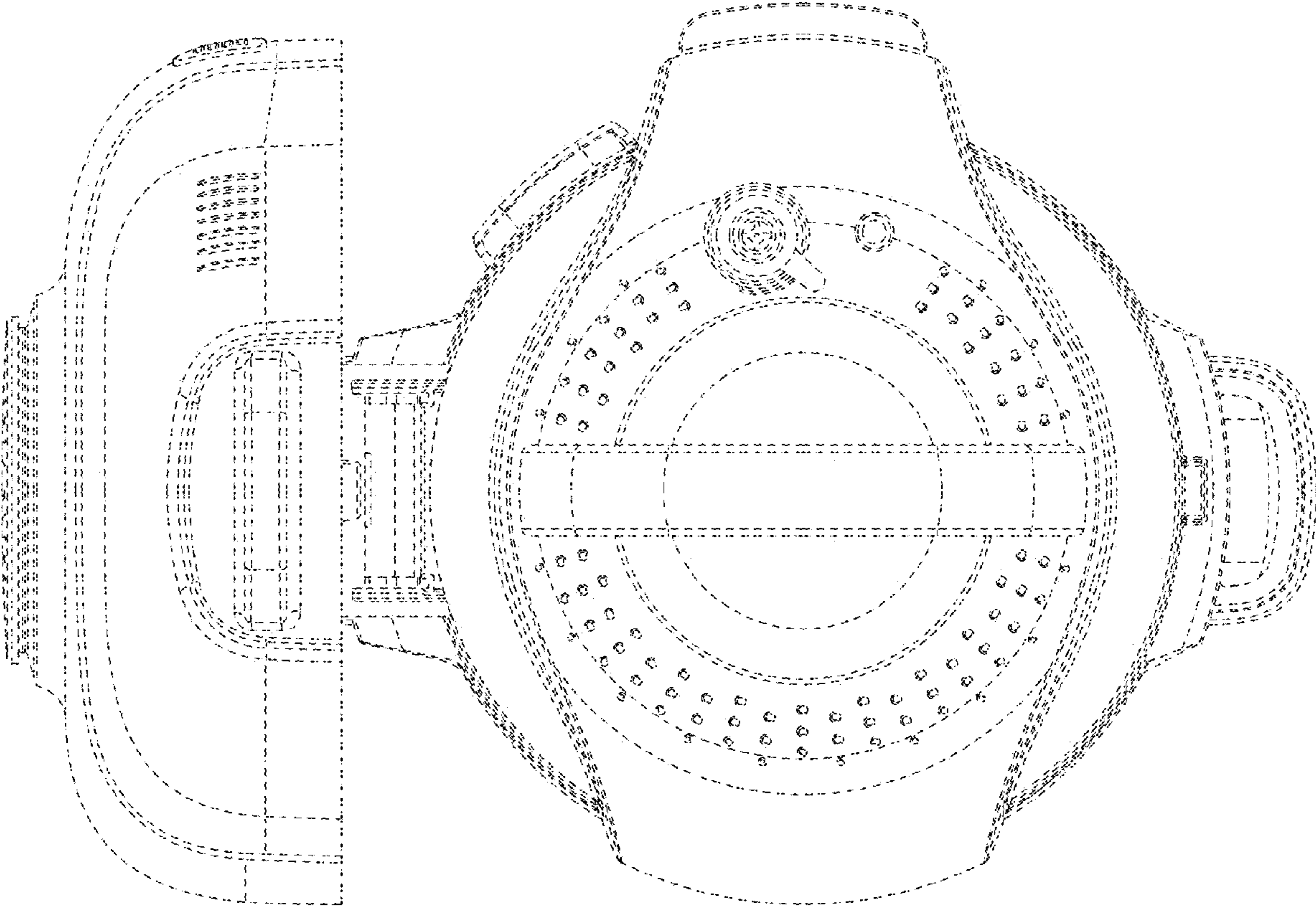


FIG. 13

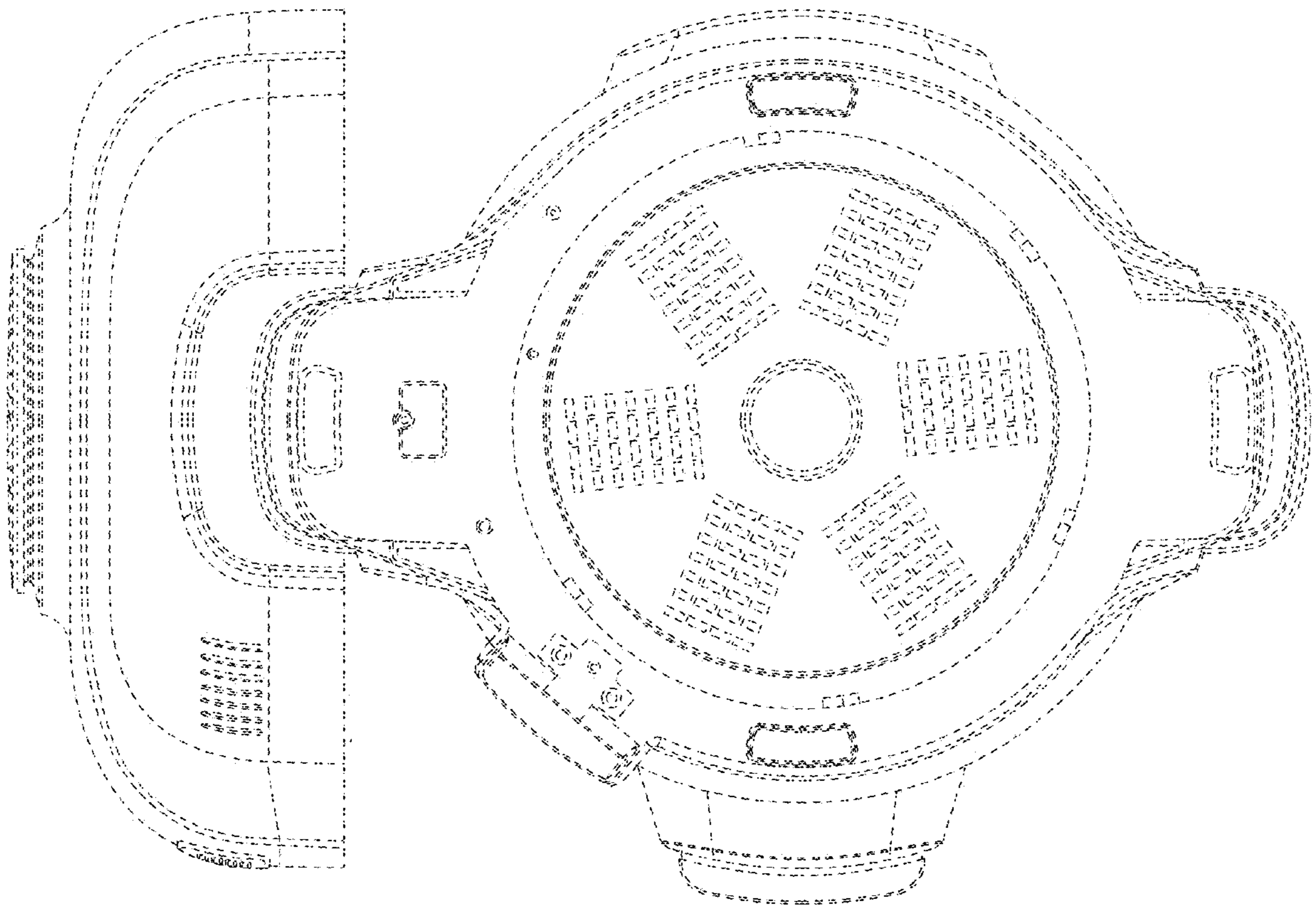


FIG. 14