



US00D876157S

(12) **United States Design Patent**
Gollnick

(10) **Patent No.: US D876,157 S**

(45) **Date of Patent: ** Feb. 25, 2020**

(54) **COFFEE GRINDER**

(71) Applicant: **HEMRO AG**, Bachenbulach (CH)

(72) Inventor: **Carsten Frank Gollnick**, Potsdam (DE)

(73) Assignee: **HEMRO AG**, Bachenbülach (CH)

(**) Term: **15 Years**

(21) Appl. No.: **35/506,208**

(22) Filed: **Jun. 14, 2018**

(80) **Hague Agreement Data**

Int. Filing Date: **Jun. 14, 2018**

Int. Reg. No.: **DM/101687**

Int. Reg. Date: **Jun. 14, 2018**

Int. Reg. Pub. Date: **Dec. 14, 2018**

(51) **LOC (12) Cl.** **31-00**

(52) **U.S. Cl.**

USPC **D7/373**

(58) **Field of Classification Search**

USPC **D7/373**

CPC .. **A47J 42/50; A47J 42/08; A47J 42/00; A47J 42/18; A47J 31/404; A47J 31/0663**

See application file for complete search history.

(56) **References Cited**

U.S. PATENT DOCUMENTS

D538,099 S *	3/2007	Fouquet	D7/373
D804,893 S *	12/2017	De' Longhi	D7/373
D839,659 S *	2/2019	Cometti	D7/373
D853,174 S *	7/2019	Zernhelt	D7/373

* cited by examiner

Primary Examiner — Michael A. Pratt

(57) **CLAIM**

The ornamental design for coffee grinder, as shown and described.

DESCRIPTION

2. Coffee grinder

2.1 : Perspective

2.2 : Front

2.3 : Right

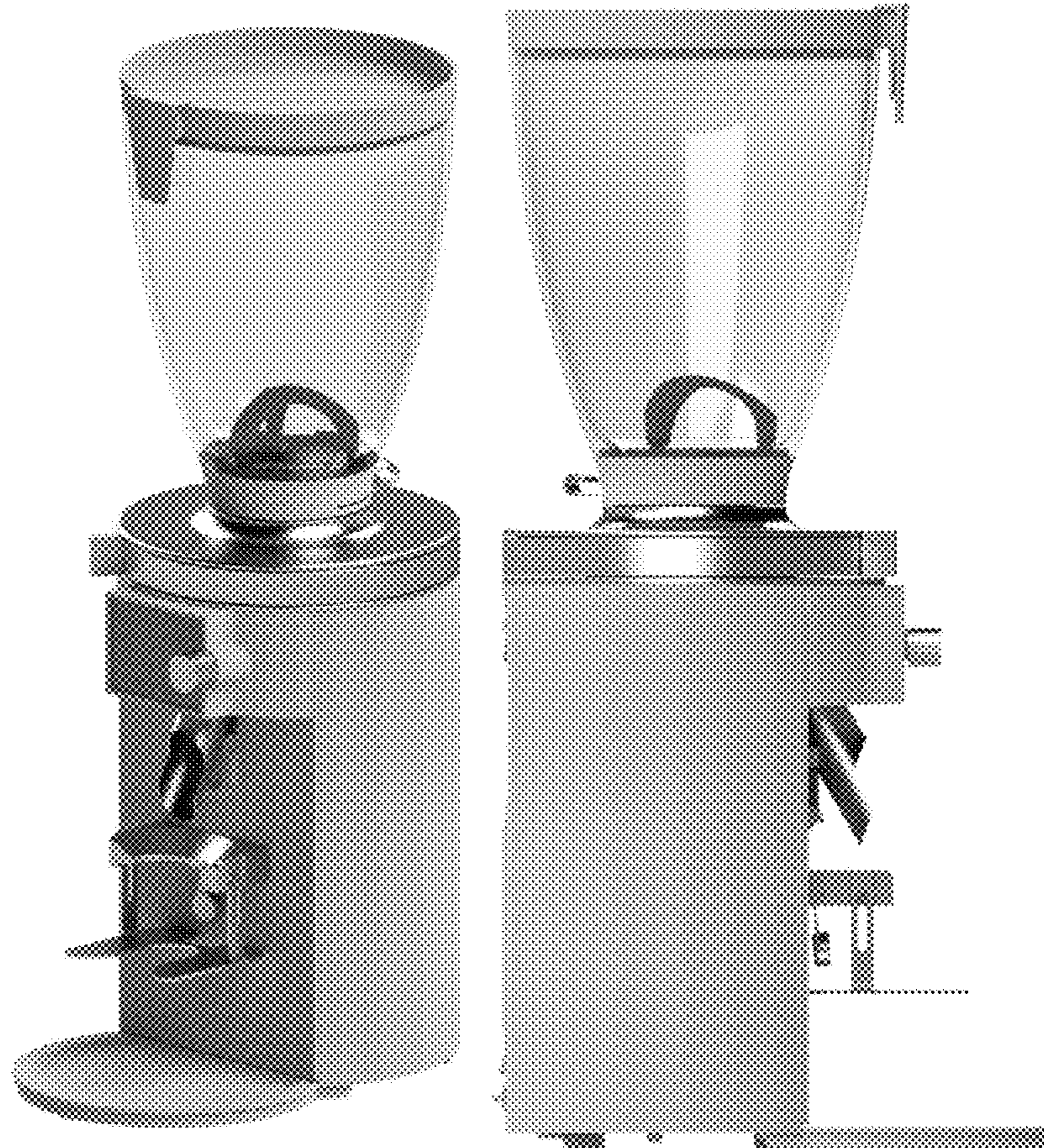
2.4 : Back

2.5 : Left

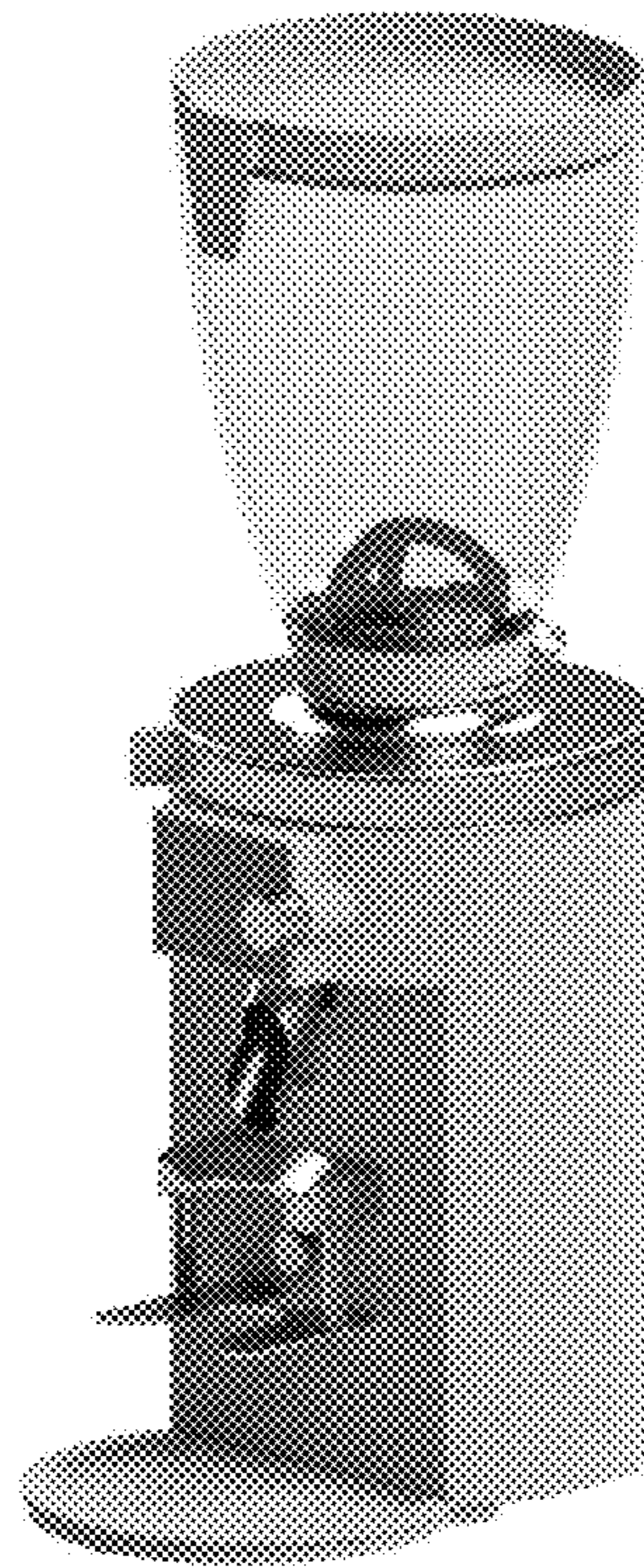
2.6 : Top

2.7 : Bottom

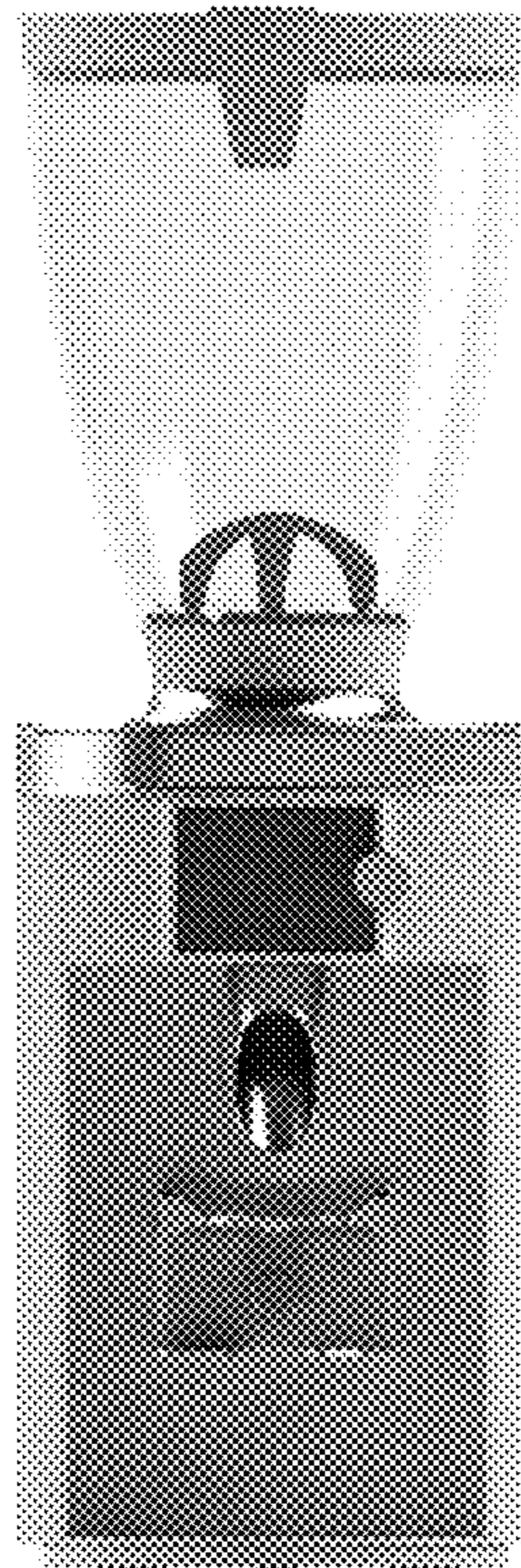
1 Claim, 7 Drawing Sheets



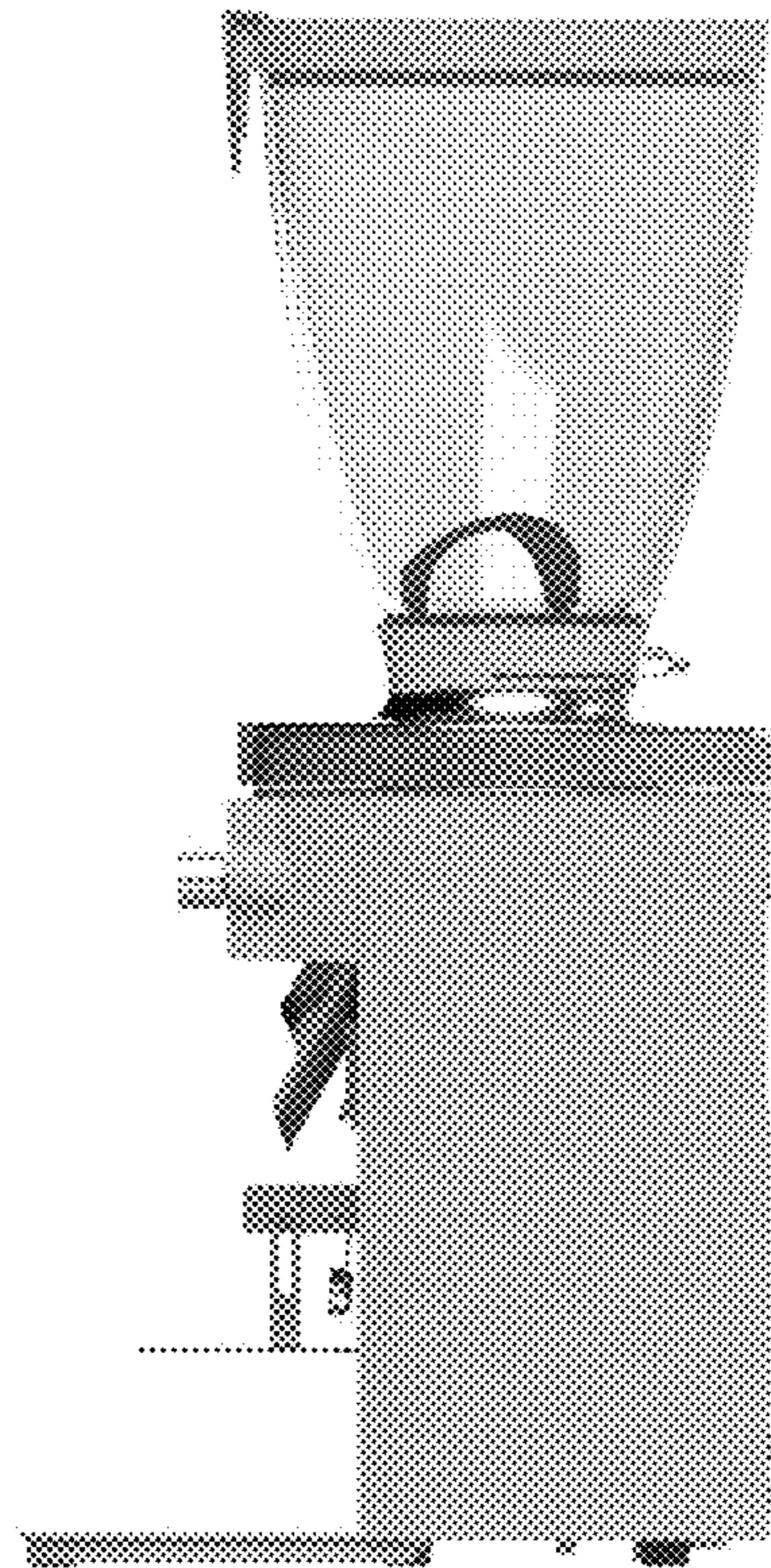
2.1



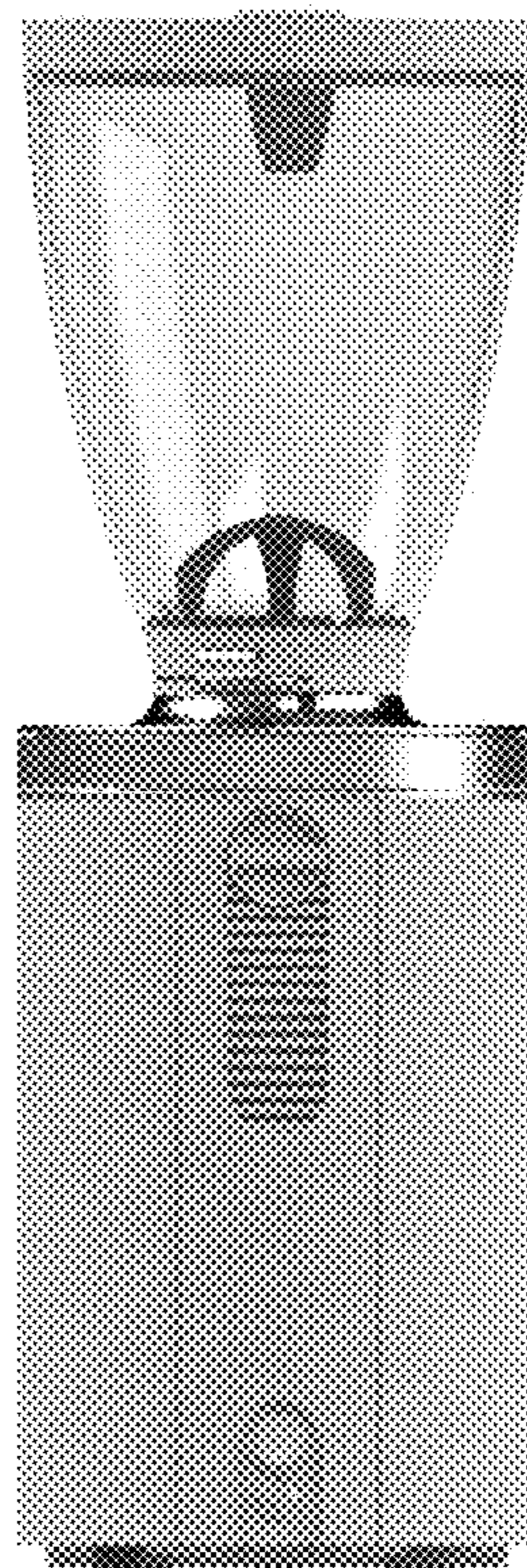
2.2



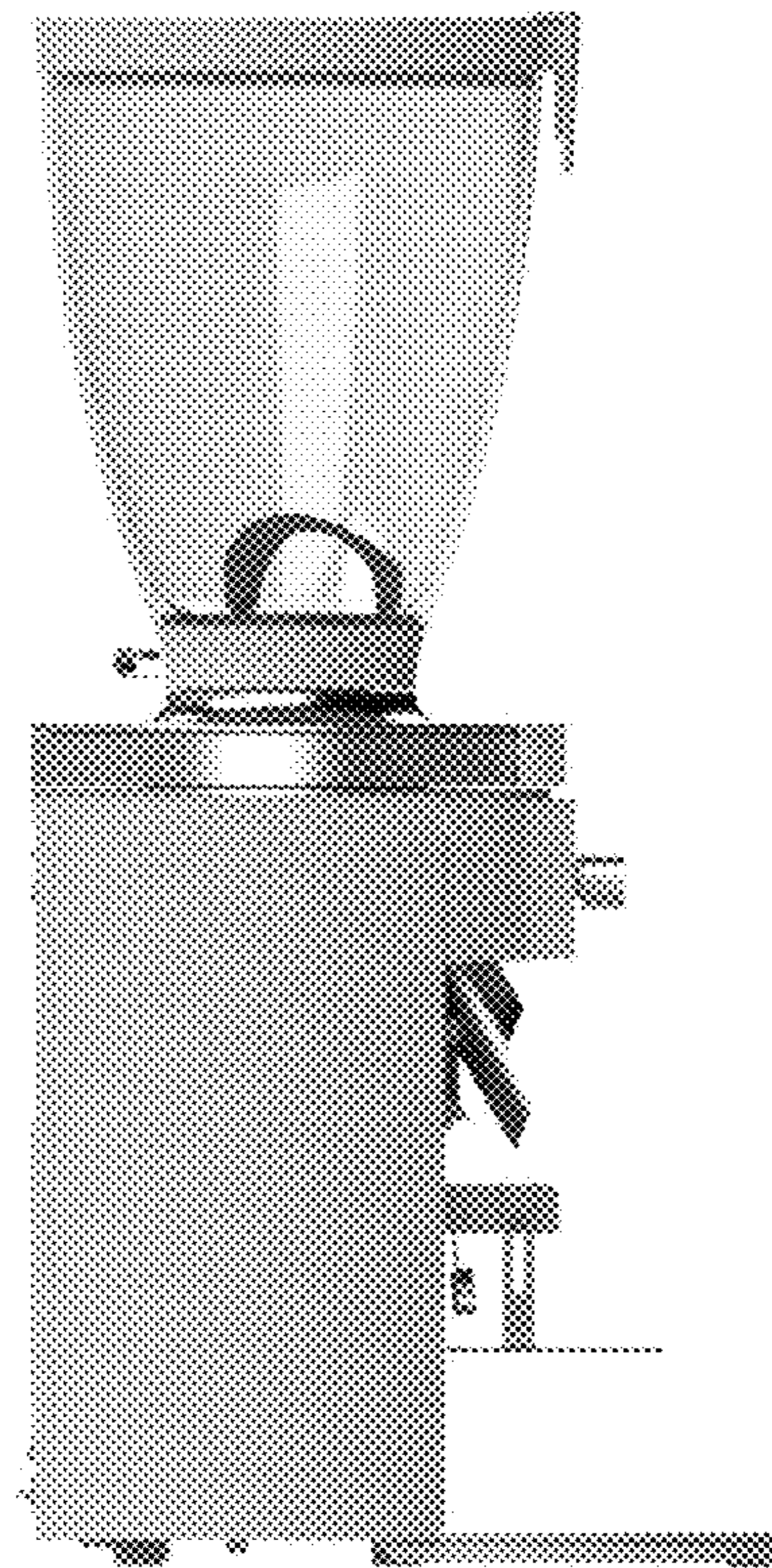
2.3



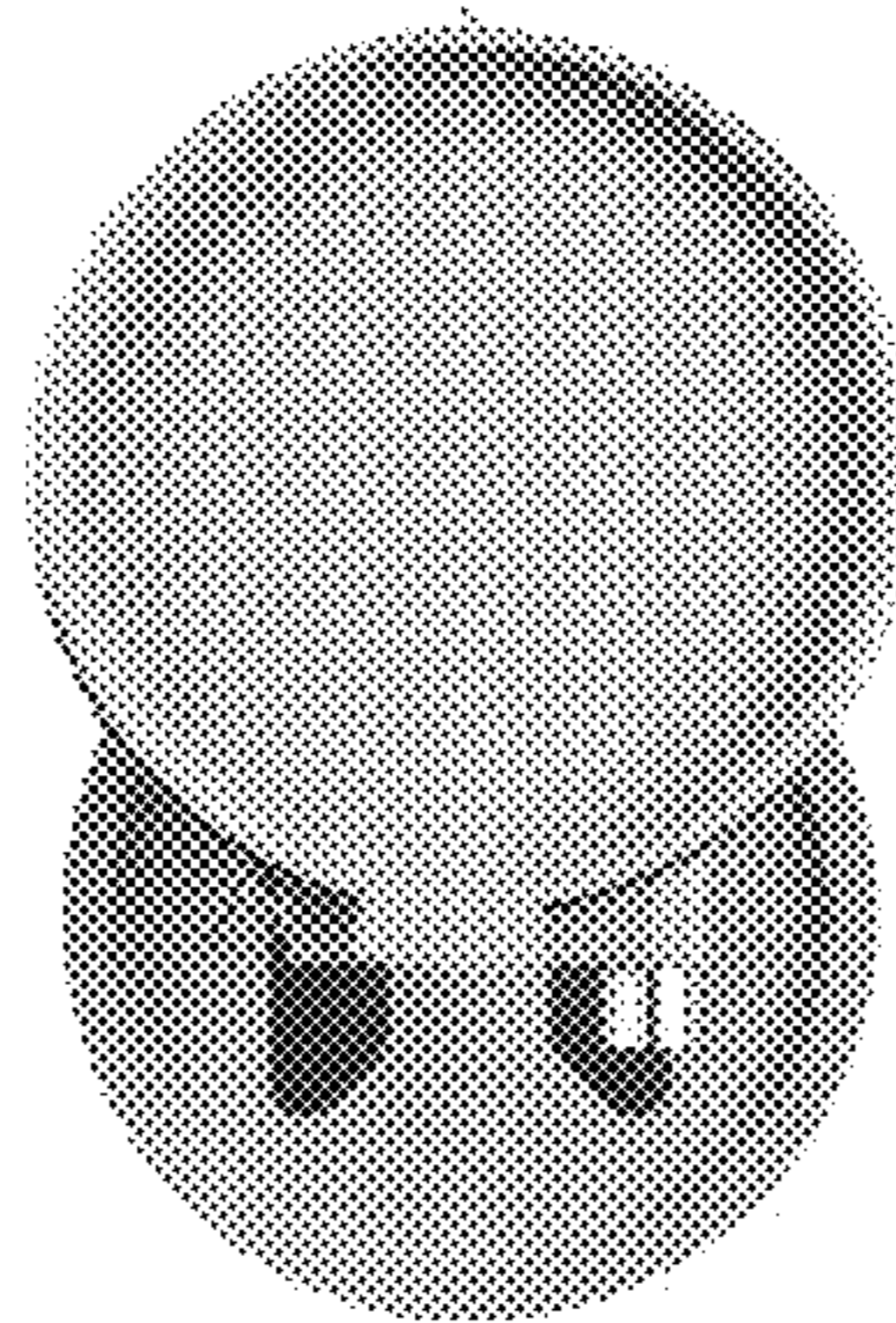
2.4



2.5



2.6



2.7

