



US00D876155S

(12) **United States Design Patent** (10) **Patent No.:** **US D876,155 S**  
**Berge et al.** (45) **Date of Patent:** **\*\* Feb. 25, 2020**

(54) **GRIDDLE**

(71) Applicant: **National Presto Industries, Inc.**, Eau Claire, WI (US)

(72) Inventors: **Michael R. Berge**, Eau Claire, WI (US); **Justun C. Seymour**, Eau Claire, WI (US)

(73) Assignee: **National Presto Industries, Inc.**, Eau Claire, WI (US)

(\*\*) Term: **15 Years**

(21) Appl. No.: **29/694,976**

(22) Filed: **Jun. 14, 2019**

**Related U.S. Application Data**

(62) Division of application No. 29/647,961, filed on May 17, 2018, now Pat. No. Des. 858,177.

(51) **LOC (12) Cl.** ..... **07-02**

(52) **U.S. Cl.**  
USPC ..... **D7/362; D7/409**

(58) **Field of Classification Search**  
USPC ..... D3/203.1; D7/323, 328–330, 337, 347, D7/352–364, 367, 402, 407, 409–411  
(Continued)

(56) **References Cited**

**U.S. PATENT DOCUMENTS**

345,530 A 7/1886 Paris  
2,274,285 A 2/1942 Walker  
(Continued)

**OTHER PUBLICATIONS**

Presto® 20-inch Cool Touch Electric Griddle, webpage, <http://www.gopresto.com/products/products.php?stock=07030>, Nov. 7, 2011, 2 pages.

(Continued)

*Primary Examiner* — Ricky Pham

(74) *Attorney, Agent, or Firm* — Patterson Thuente Pedersen, P.A.

(57) **CLAIM**

We claim the ornamental design for griddle, as shown and described.

**DESCRIPTION**

FIG. 1 is a top view of a design for griddle according to an embodiment of the invention.

FIG. 2 is a front view of the design for griddle depicted in FIG. 1.

FIG. 3 is a rear view of the design for griddle depicted in FIG. 1.

FIG. 4 is a left side view of the design for griddle depicted in FIG. 1.

FIG. 5 is a right side view of the design for griddle depicted in FIG. 1.

FIG. 6 is a bottom view of the design for griddle depicted in FIG. 1.

FIG. 7 is a top, front perspective view of the design for griddle depicted in FIG. 1.

FIG. 8 is a top view of a design for griddle according to another embodiment of the invention.

FIG. 9 is a front view of the design for griddle depicted in FIG. 8.

FIG. 10 is a rear view of the design for griddle depicted in FIG. 8.

FIG. 11 is a left side view of the design for griddle depicted in FIG. 8.

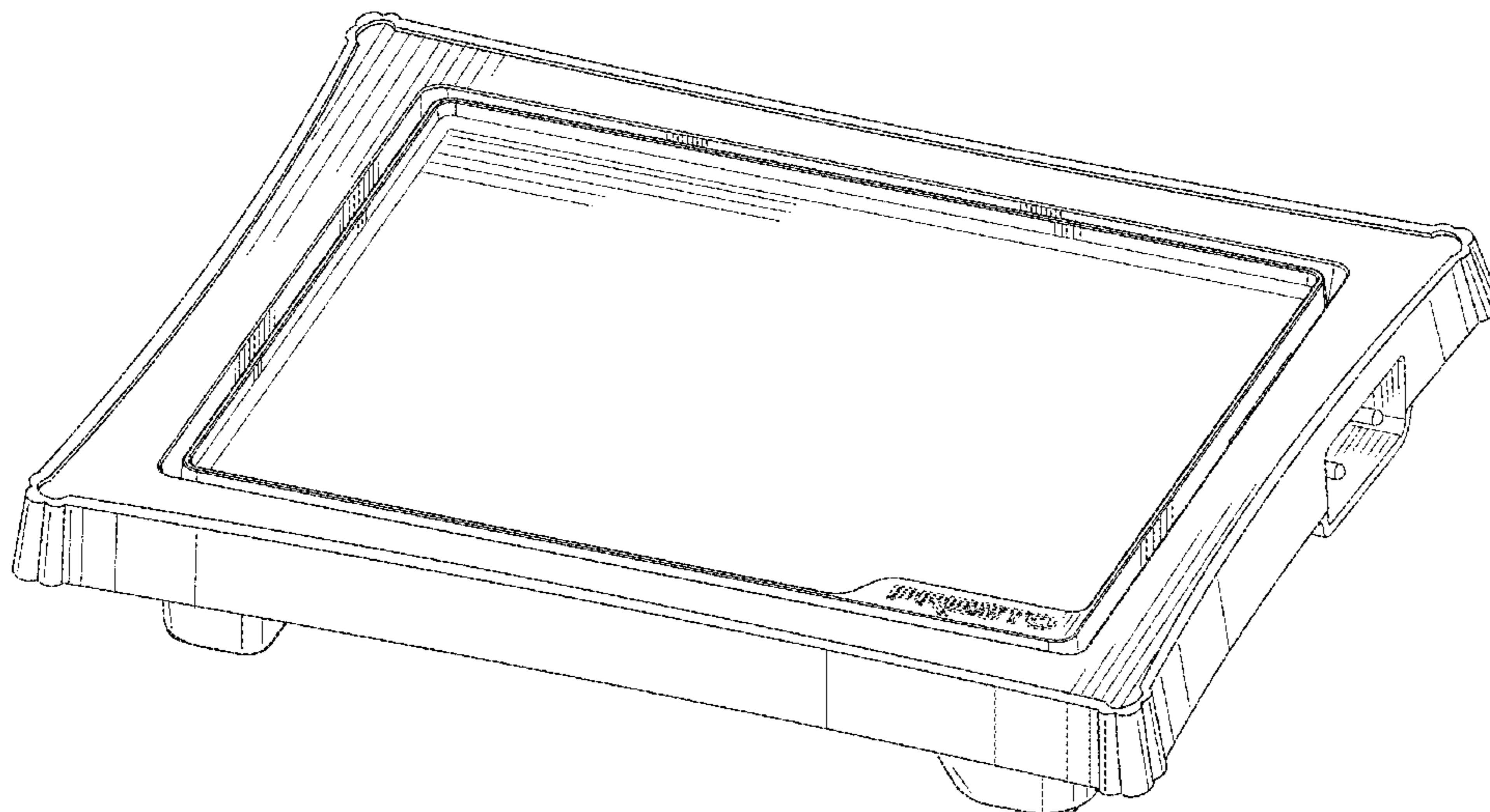
FIG. 12 is a right side view of the design for griddle depicted in FIG. 8.

FIG. 13 is a bottom view of the design for griddle depicted in FIG. 8; and,

FIG. 14 is a top, front perspective view of the design for griddle depicted in FIG. 8.

The broken lines in the drawings illustrate portions of the design for griddle that form no part of the claimed design and may depict environmental subject matter only.

**1 Claim, 14 Drawing Sheets**



(58) **Field of Classification Search**

CPC . A21B 5/023; A47J 27/60; A47J 27/62; A47J 37/04; A47J 37/06; A47J 37/067; A47J 37/0605; A47J 37/0611; A47J 37/0623; A47J 37/0629; A47J 37/0676; A47J 2037/06; A47J 2037/0611; F24C 15/10; F24C 15/102; H05B 6/02; H05B 6/062

See application file for complete search history.

(56) **References Cited**

U.S. PATENT DOCUMENTS

D139,751 S 12/1944 Springwell  
 2,547,982 A 4/1951 Sivley  
 D187,835 S 5/1960 Lee  
 D229,448 S 11/1973 Traclet  
 D281,215 S 11/1985 Lastuck  
 D285,523 S 9/1986 Ayukawa et al.  
 D286,494 S 11/1986 Lastuck  
 D289,847 S 5/1987 Okamoto  
 D296,509 S 7/1988 Fuke  
 D335,240 S 5/1993 Critchfield et al.  
 D366,390 S 1/1996 Vitantonio  
 D375,868 S 11/1996 Larson  
 5,740,723 A 4/1998 Lin  
 D409,041 S 5/1999 Barker  
 D412,808 S 8/1999 Hinton et al.  
 6,016,741 A 1/2000 Tsai et al.  
 6,064,042 A 5/2000 Glucksman et al.  
 D431,152 S 9/2000 Lee  
 D436,796 S 1/2001 Kalina et al.  
 6,186,055 B1 2/2001 DeMars et al.  
 D441,250 S 5/2001 Choi  
 6,472,644 B1 10/2002 Wu  
 D483,224 S \* 12/2003 Clark ..... D7/402  
 D484,737 S 1/2004 Bodum  
 D500,629 S 1/2005 Huggler  
 D505,044 S 5/2005 Hei  
 D514,876 S \* 2/2006 Simond ..... D7/363  
 D533,016 S 12/2006 Genslak et al.  
 D564,826 S 3/2008 Chin  
 D568,095 S \* 5/2008 De' Longhi ..... D7/362  
 D575,098 S 8/2008 Seymour  
 7,523,697 B2 4/2009 Hedrington  
 D602,597 S 10/2009 Nomi  
 D618,047 S 6/2010 Seymour  
 D644,867 S 9/2011 Janvier  
 D658,429 S 5/2012 Berge  
 8,211,029 B2 7/2012 Katsumoto  
 D674,656 S 1/2013 Berge et al.

D686,036 S \* 7/2013 Nelson ..... D7/407  
 D696,549 S 12/2013 Pennington  
 D710,148 S \* 8/2014 Mainville ..... D7/337  
 9,192,178 B2 11/2015 Berge et al.  
 D745,802 S 12/2015 Yao  
 D760,018 S 6/2016 Koszylko  
 D793,801 S 8/2017 Bassill  
 D801,624 S \* 11/2017 Zsolcsak ..... D3/203.1  
 D823,047 S 7/2018 Seymour  
 D831,410 S \* 10/2018 Bassill ..... D7/367  
 D851,440 S \* 6/2019 Berge ..... D7/362  
 D852,573 S \* 7/2019 Bassill ..... D7/363  
 D856,742 S \* 8/2019 Mano ..... D7/367  
 D858,177 S \* 9/2019 Berge ..... D7/362  
 D859,061 S \* 9/2019 Hollinger ..... D7/362  
 D859,062 S \* 9/2019 Berge ..... D7/363  
 2006/0163242 A1 7/2006 Ciancimino et al.  
 2014/0360383 A1 12/2014 Hamlin

OTHER PUBLICATIONS

Presto® 22-inch Electric Griddle, webpage, <http://www.gopresto.com/products/products.php?stock=07039>, Nov. 2, 2011, 2 pages.  
 Presto® 22-inch Electric Griddle with Removable Handles, webpage, <http://www.gopresto.com/products/products.php?stock=07061>, Nov. 7, 2011, 2 pages.  
 Presto® Cool Touch Electric Griddle, webpage, <http://www.gopresto.com/products/products.php?stock=07047>, Nov. 7, 2011, 2 pages.  
 Presto® Cool Touch Electric Foldaway™ Griddle, webpage, <http://www.gopresto.com/products/products.php?stock=07050>, Nov. 7, 2011, 2 pages.  
 Presto® Cool Touch Electric Tilt'nDrain™ Griddle, webpage, <http://www.gopresto.com/products/products.php?stock=07045>, Nov. 7, 2011, 2 pages.  
 Presto® Liddle Griddle® mini griddle, webpage, <http://www.gopresto.com/products/products.php?stock=07211>, Nov. 7, 2011, 2 pages.  
 Presto® Tilt'nDrain™ BigGriddle cool touch electric griddle, webpage, <http://www.gopresto.com/products/products.php?stock=07046>, Nov. 7, 2011, 3 pages.  
 APW Wyott 23780 7 Qt. Notched/Hinged Stainless Steel Inset Cover, webpage, <http://www.webstaurantstore.com/apw-wyott-23780-7-qt-notched-hinged-stainless-steel-inset-cover/13523780.html>, printed Feb. 2, 2012, 2 pages.  
 Oster 12-inch Skillet with Hinged Lid, webpage, <http://www.oster.com/ProductDetails.aspx?pid=1625>, printed Feb. 7, 2012, 1 page.  
 Application and File History for U.S. Appl. No. 29/647,961, filed May 17, 2018. Inventors: Berge et al.

\* cited by examiner

FIG. 1

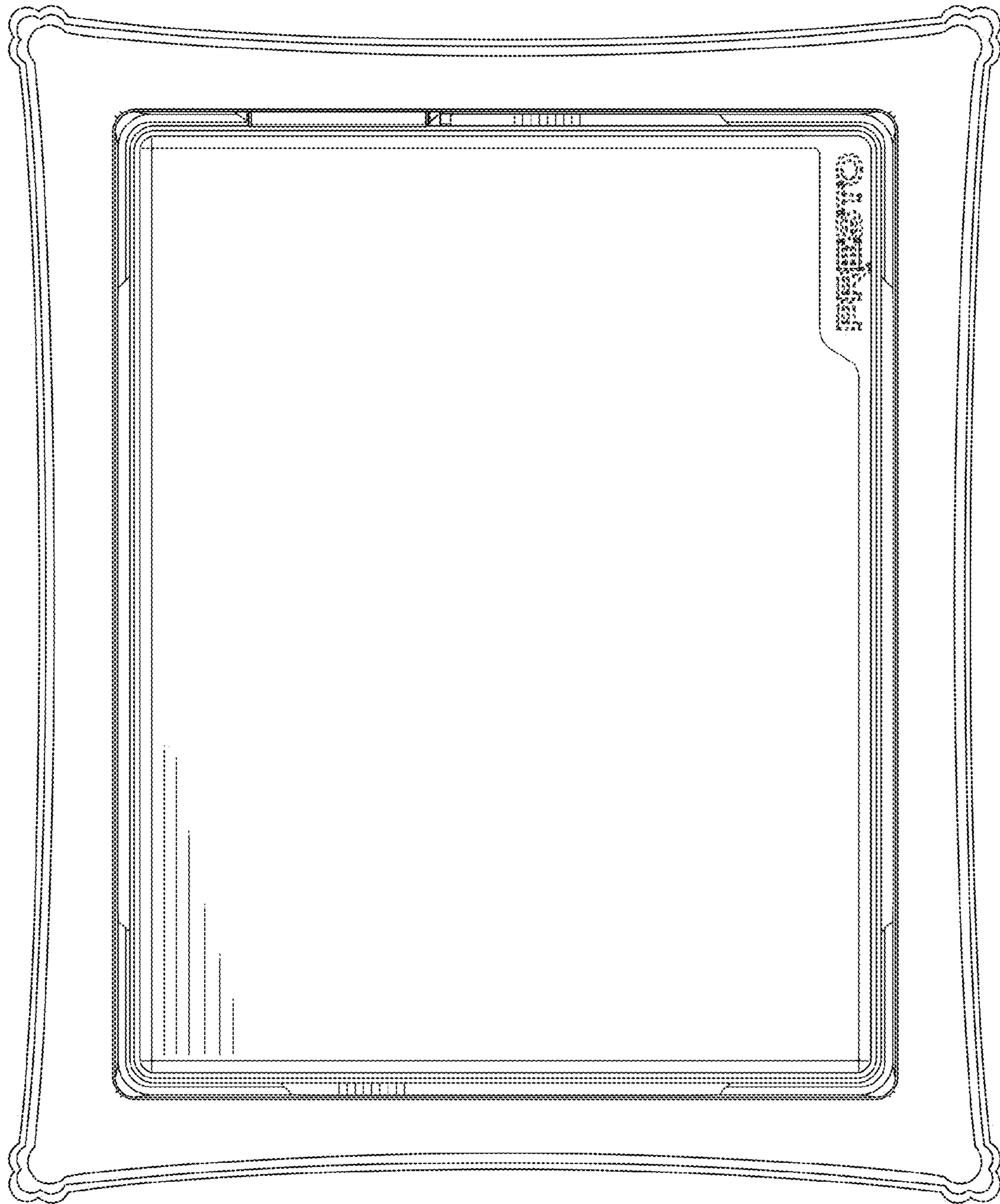


FIG. 2

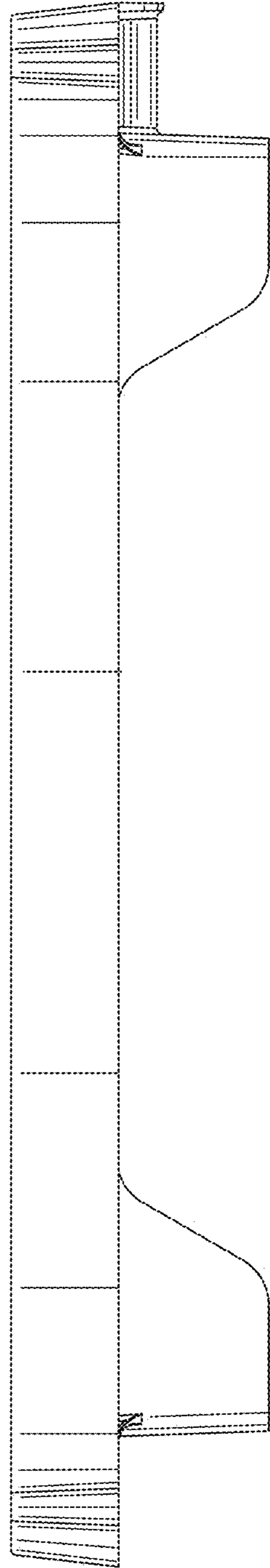


FIG. 3

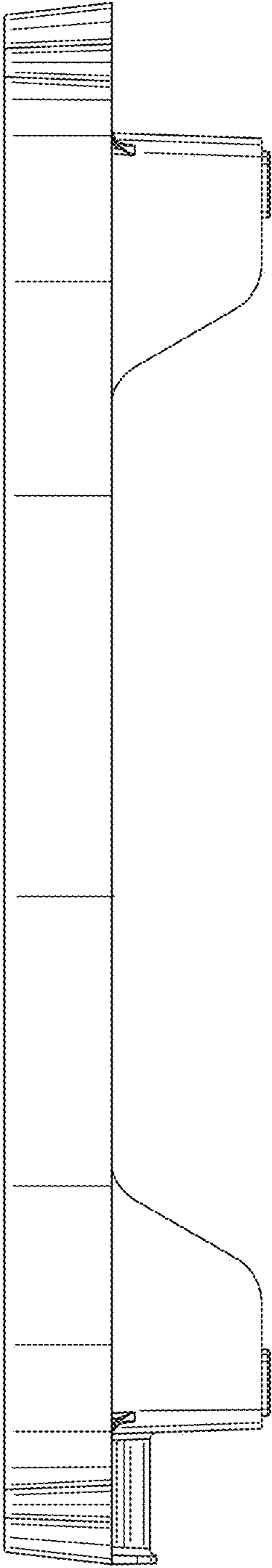


FIG. 4

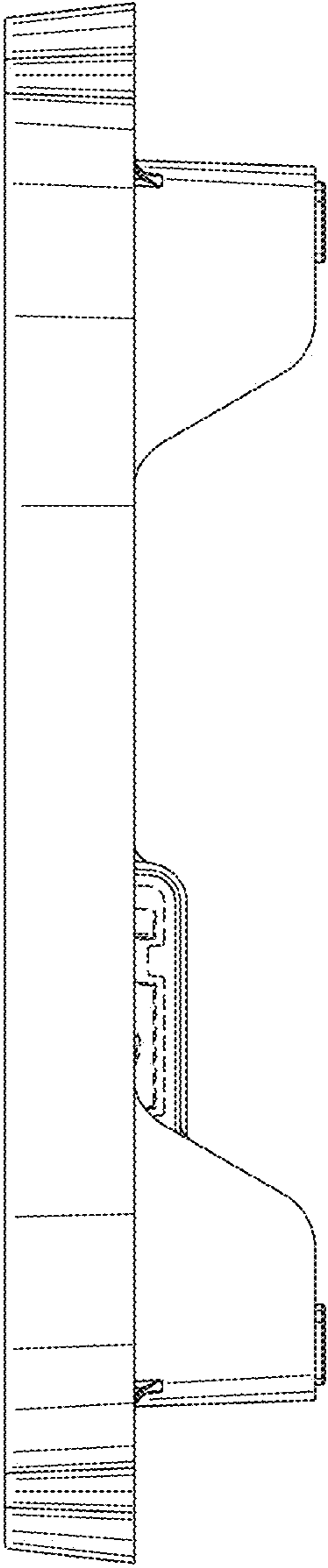


FIG. 5

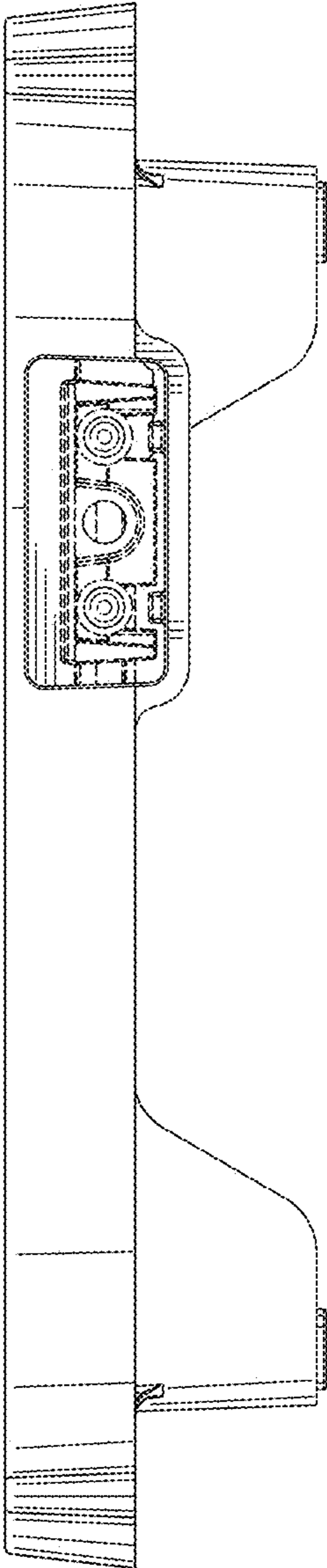


FIG. 6

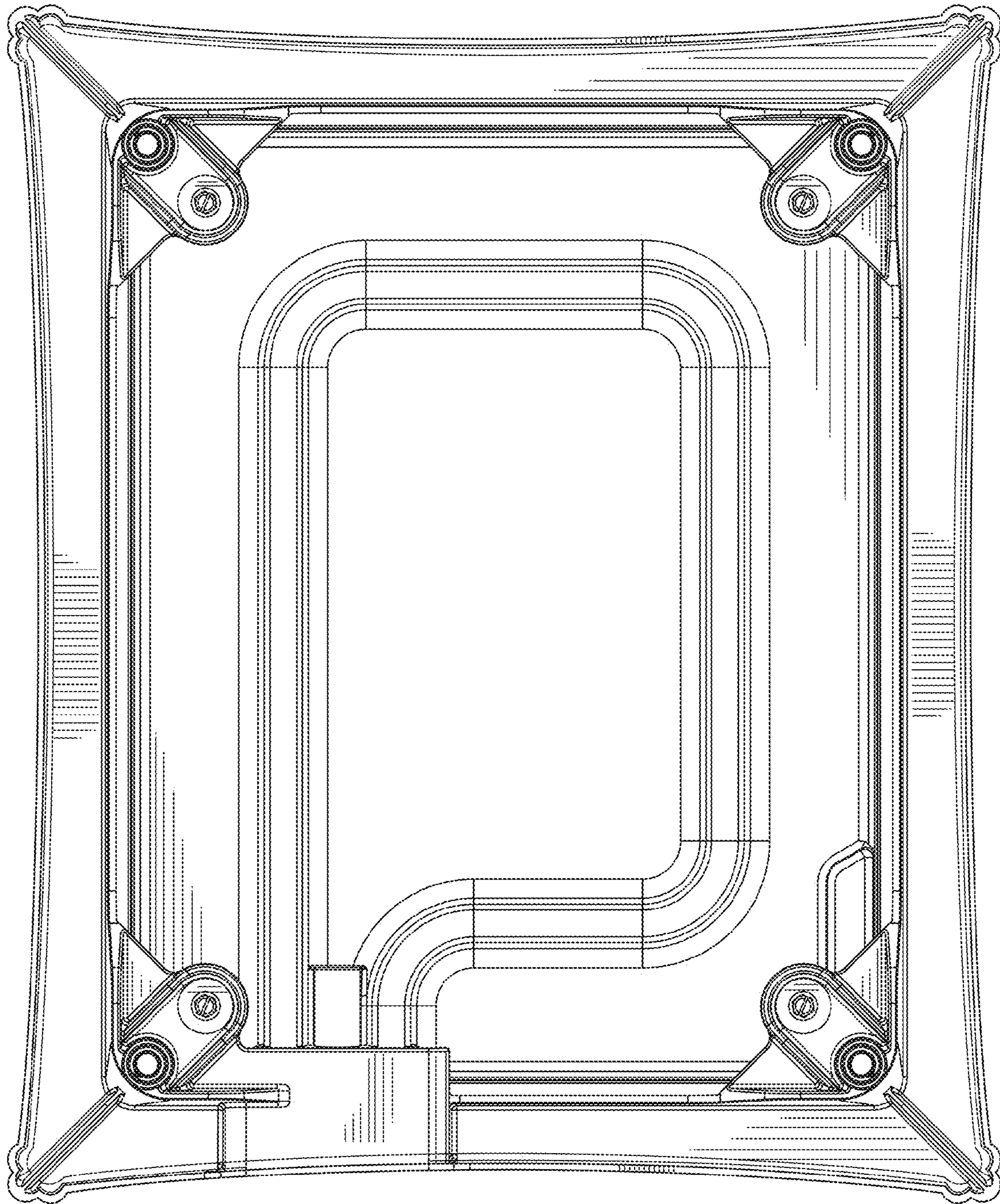




FIG. 7

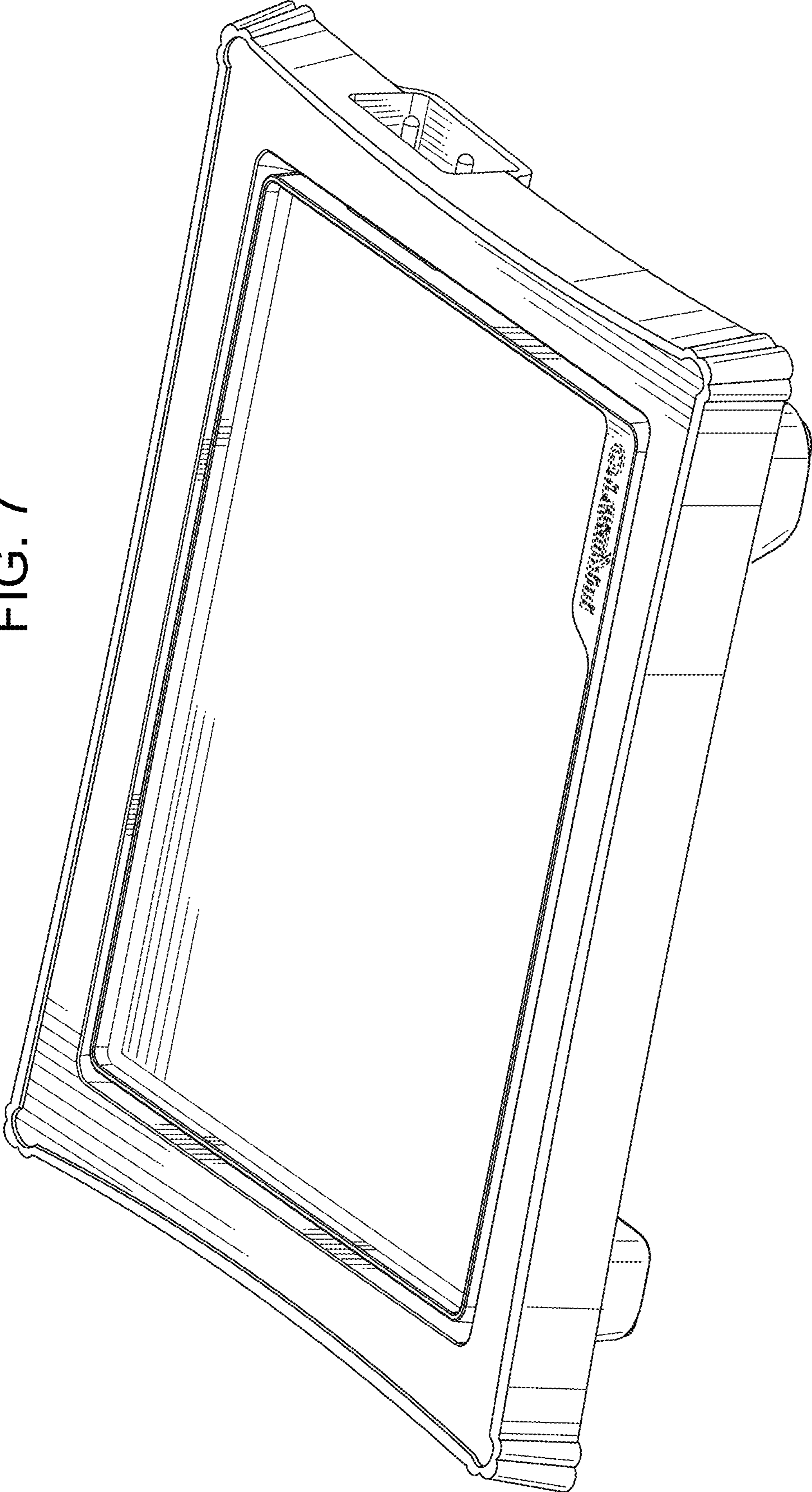


FIG. 8

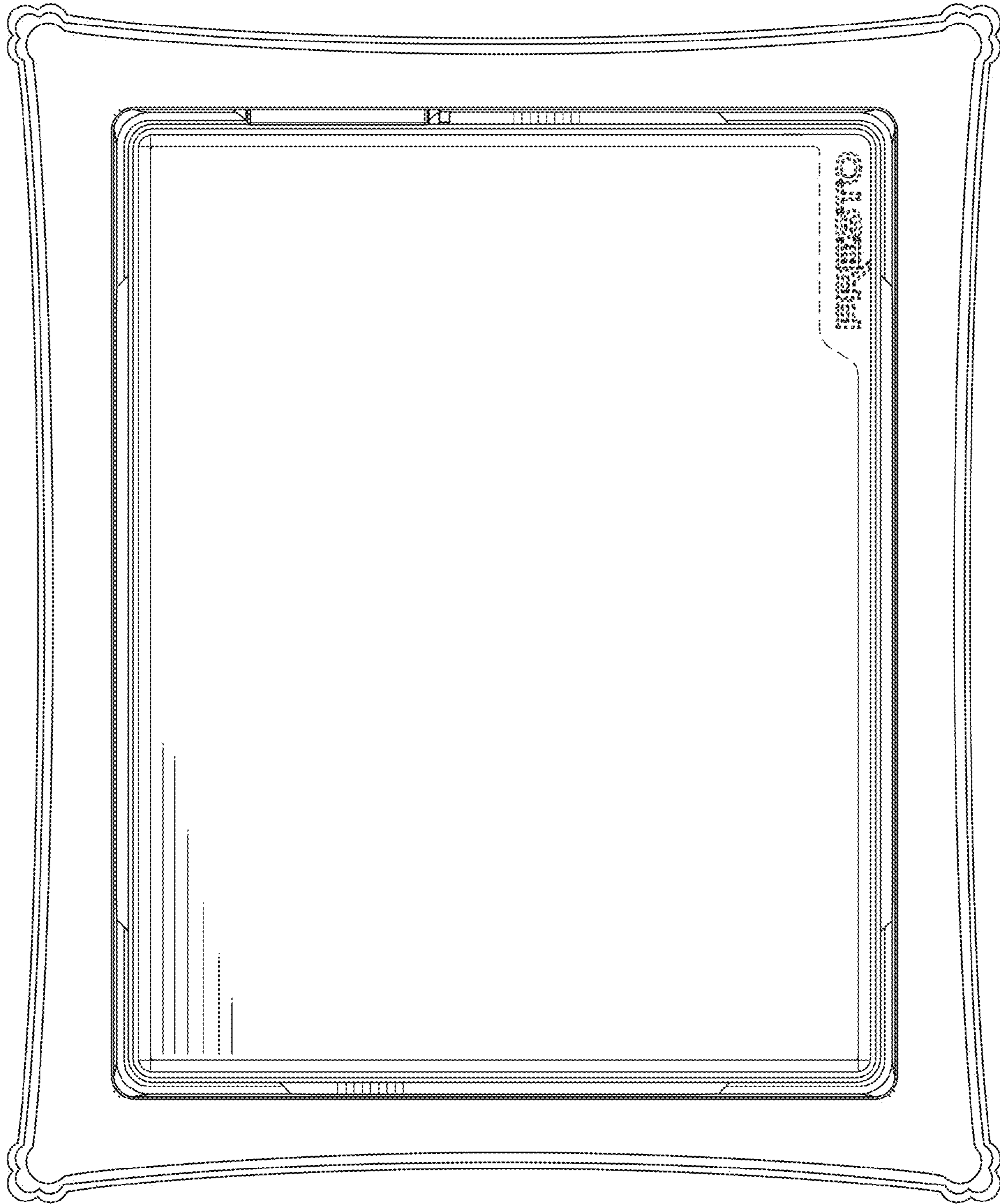


FIG. 9

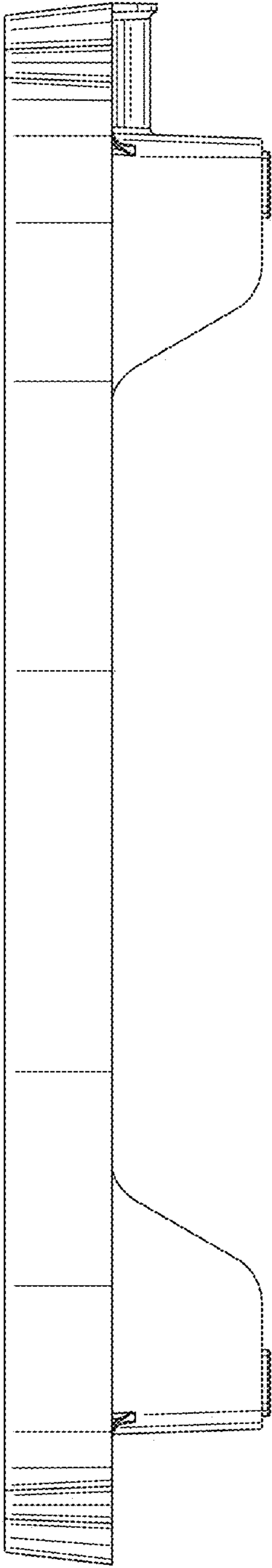


FIG. 10

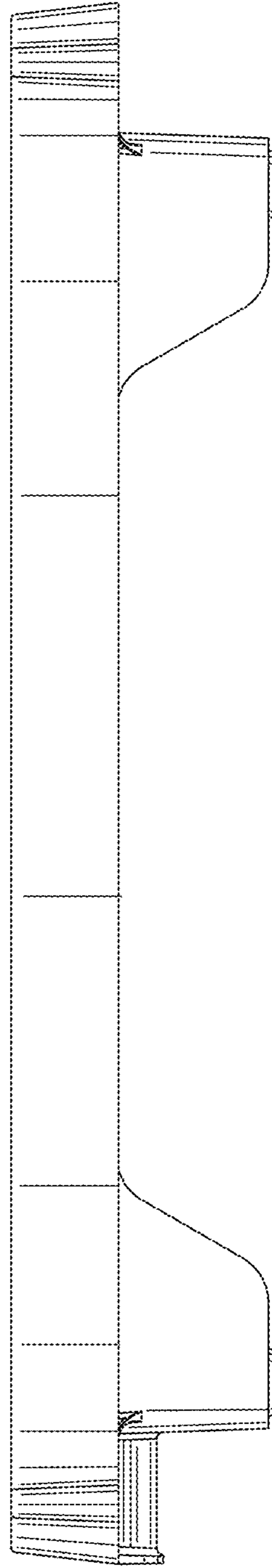


FIG. 11

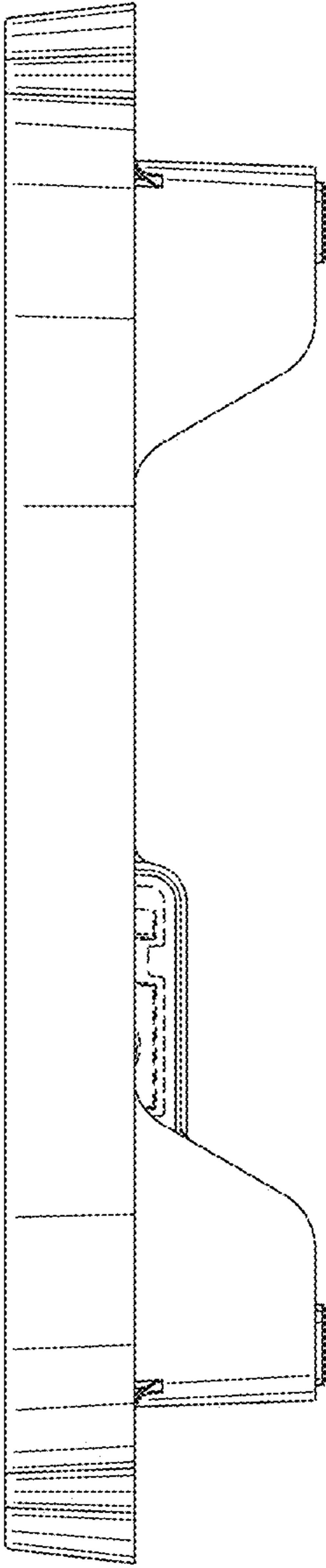


FIG. 12

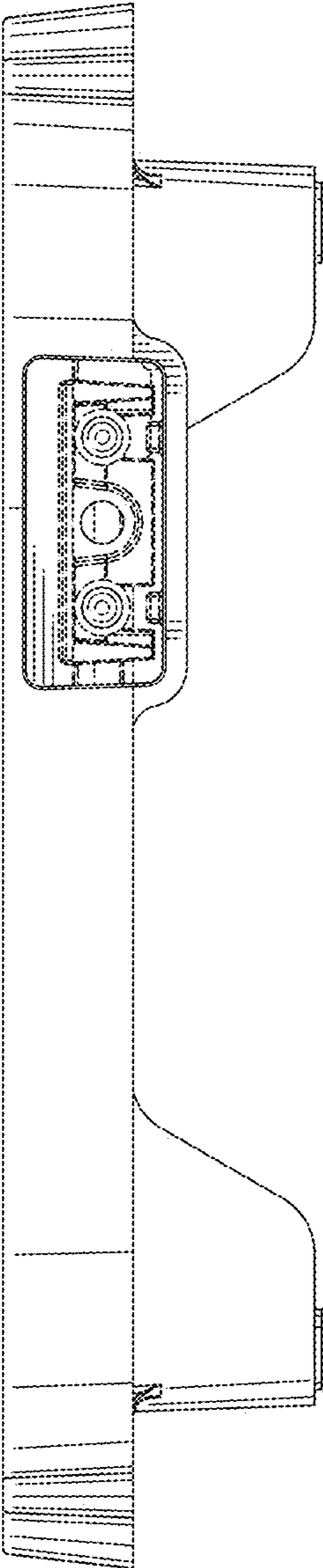


FIG. 13

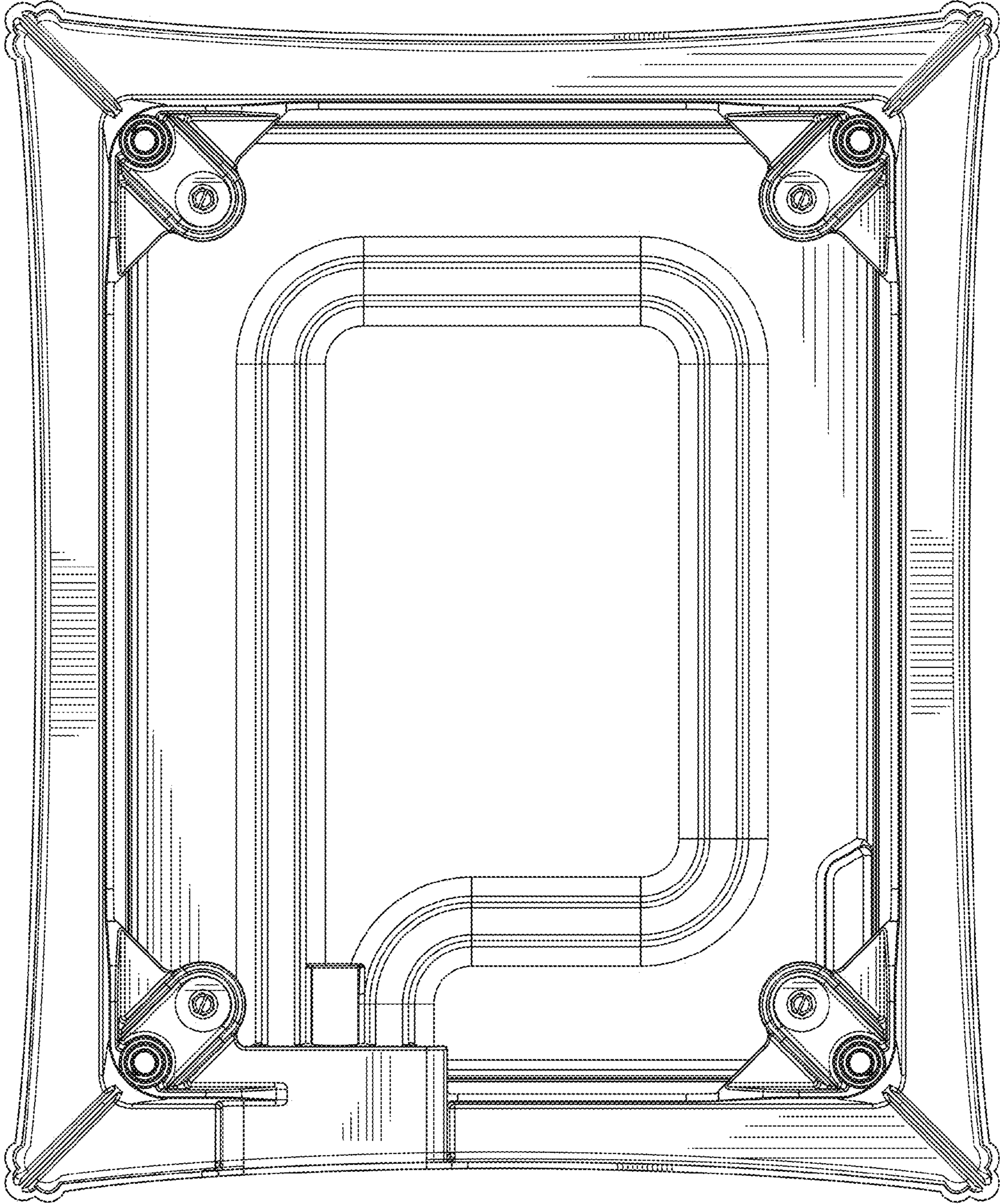


FIG. 14

