



US00D876153S

(12) **United States Design Patent** (10) **Patent No.:** **US D876,153 S**
Stevenson et al. (45) **Date of Patent:** **** Feb. 25, 2020**

(54) **PRESSURE COOKER**

(56) **References Cited**

(71) Applicant: **HY CITE ENTERPRISES LLC**,
Madison, WI (US)

(72) Inventors: **Craig Stevenson**, Fitchburg, WI (US);
Aric Dichraff, Madison, WI (US); **Lu**
Shen, Johnson Creek, WI (US); **Ana E**
Pineiro, Madison, WI (US); **Julio**
Angel Salva Alvarez, Madison, WI
(US); **Morad Ghassemian**, Oak Park,
IL (US); **William Cesare Cesaroni**,
Glenview, IL (US); **Guangping Ling**,
Zhejiang (CN); **Yuefeng Tang**, Zhejiang
(CN)

U.S. PATENT DOCUMENTS

D256,759 S	*	9/1980	Johnson	D7/358
D413,483 S	*	9/1999	Roussard	D7/358
D476,191 S	*	6/2003	Josancy	D7/358
D486,352 S	*	2/2004	Park	D7/358
D532,250 S	*	11/2006	Roussard	D7/358
D641,203 S	*	7/2011	Josancy	D7/354
D711,182 S	*	8/2014	Roussard	D7/354
D830,108 S	*	10/2018	Azumi	D7/358
D838,546 S	*	1/2019	Wang	A47J 27/0802
					D7/406
D846,336 S	*	4/2019	Hoenderdos	D7/358
2013/0019759 A1	*	1/2013	Tumenbatur	A47J 27/0802
					99/337

* cited by examiner

Primary Examiner — Ricky Pham

(74) *Attorney, Agent, or Firm* — Michael Best & Friedrich LLP

(73) Assignee: **HY CITE ENTERPRISES, LLC**,
Madison, WI (US)

(**) Term: **15 Years**

(57) **CLAIM**

We claim the ornamental design for a pressure cooker, as shown and described.

(21) Appl. No.: **29/666,336**

(22) Filed: **Oct. 11, 2018**

DESCRIPTION

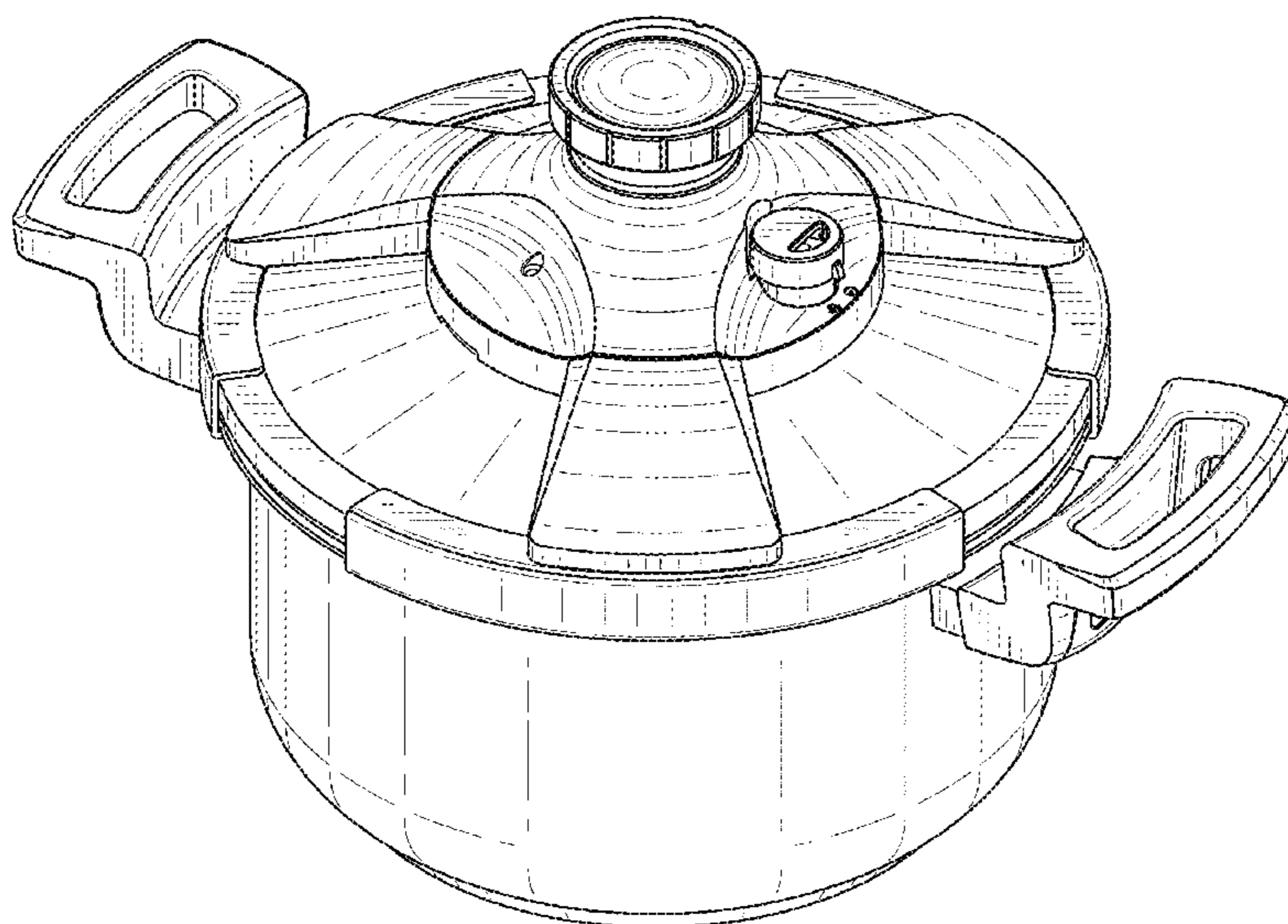
(51) **LOC (12) Cl.** **07-02**

(52) **U.S. Cl.**
USPC **D7/358**; D7/354; D7/360

(58) **Field of Classification Search**
USPC D7/323, 354–361, 391, 393, 406
CPC A47J 27/00; A47J 27/004; A47J 27/04;
A47J 27/08; A47J 27/0802; A47J
27/0804; A47J 27/0811; A47J 27/0813;
A47J 27/0815; A47J 27/0817; A47J
27/084; A47J 27/09; A47J 27/092; A47J
36/025; A47J 36/06; A47J 37/0641; A47J
37/12; A47J 37/1204; A47J 37/1209;
A47J 45/07; A47J 45/071; A47J 45/074;
A47J 45/08; B01D 2201/345; B01J 3/03;
B01J 3/04; F01P 2011/0247; F01P
2011/0252; H05B 6/00; H05B 6/02;
H05B 6/06

See application file for complete search history.

1 Claim, 7 Drawing Sheets



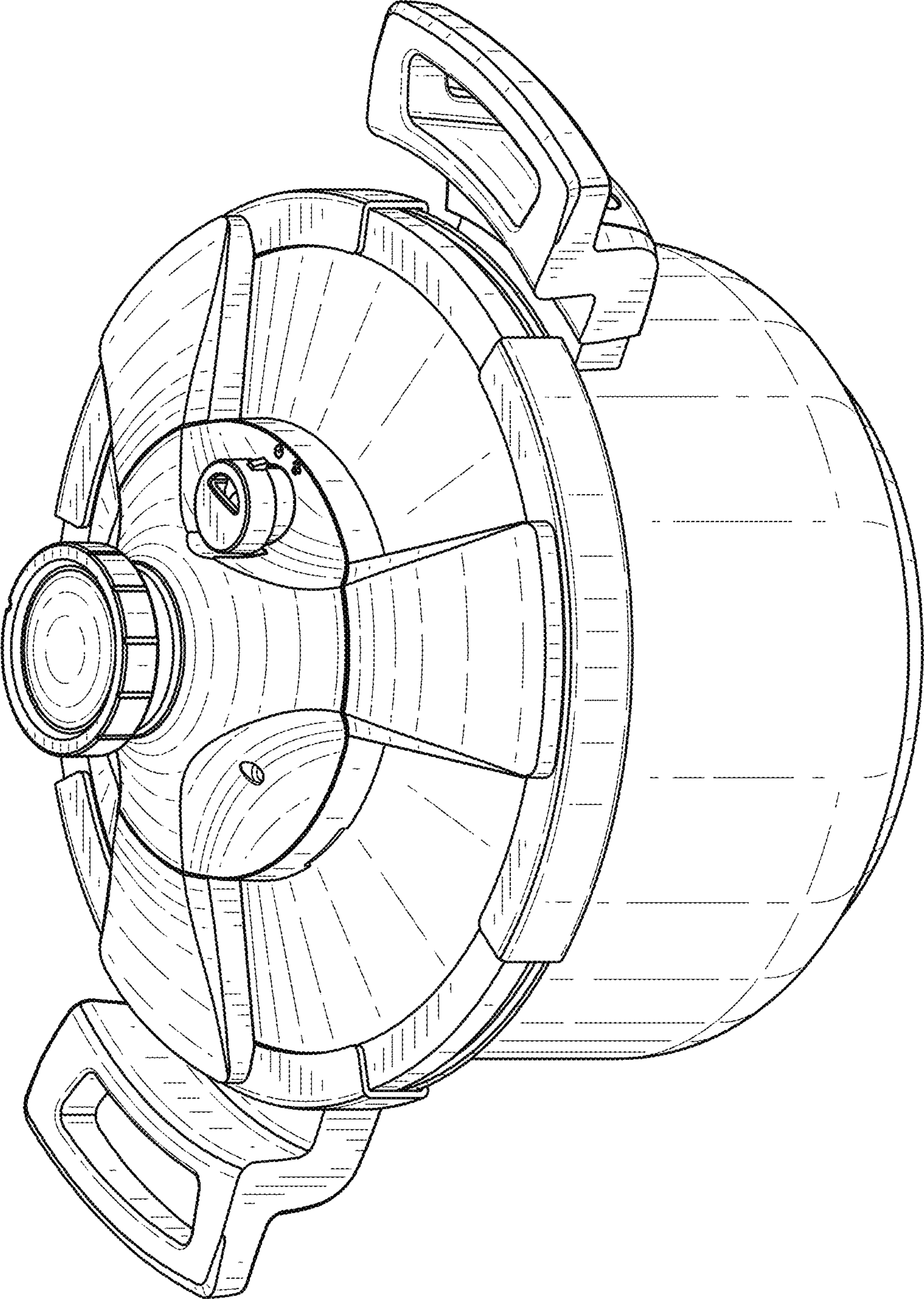


FIG. 1

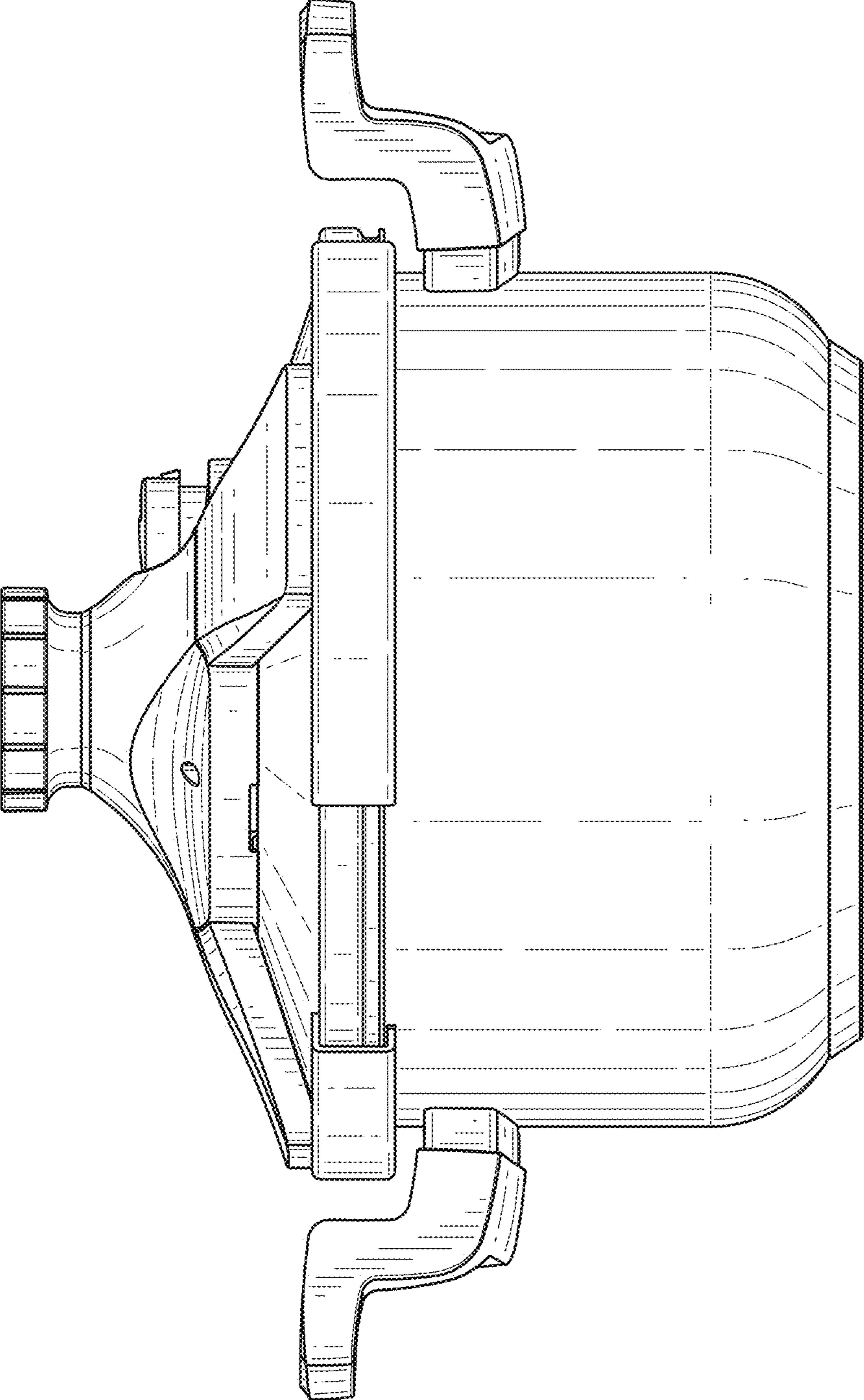


FIG. 2

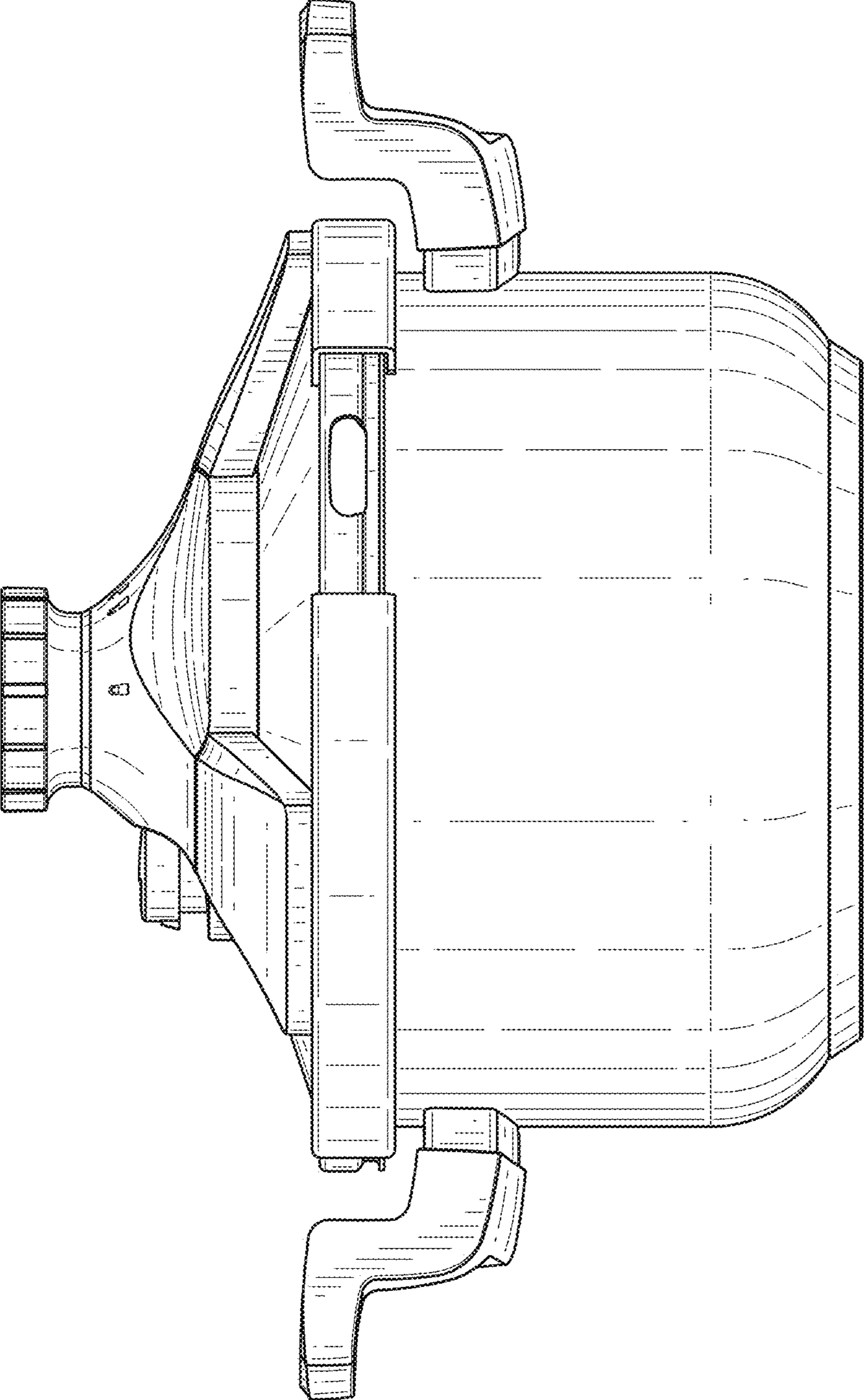


FIG. 3

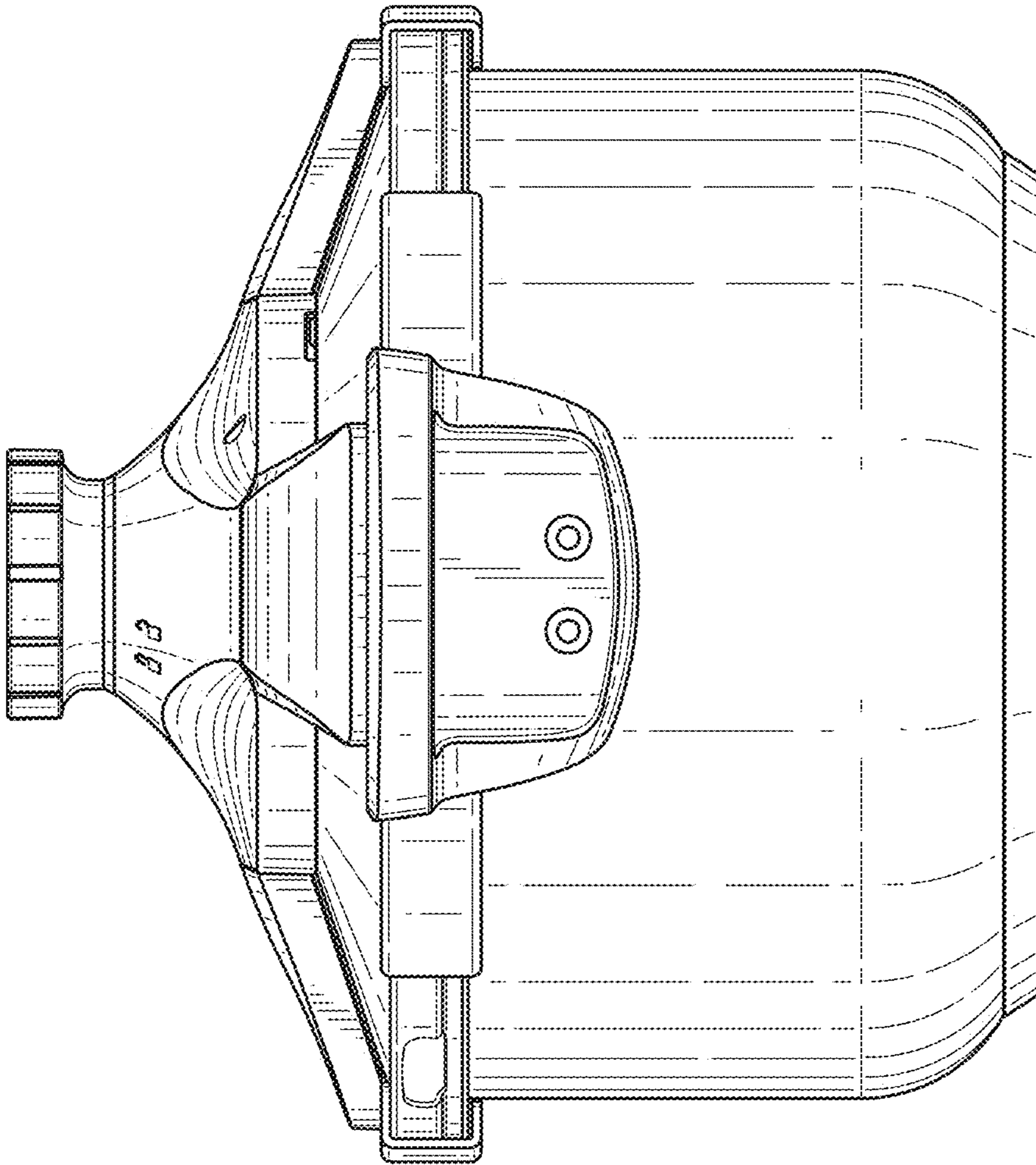


FIG. 4

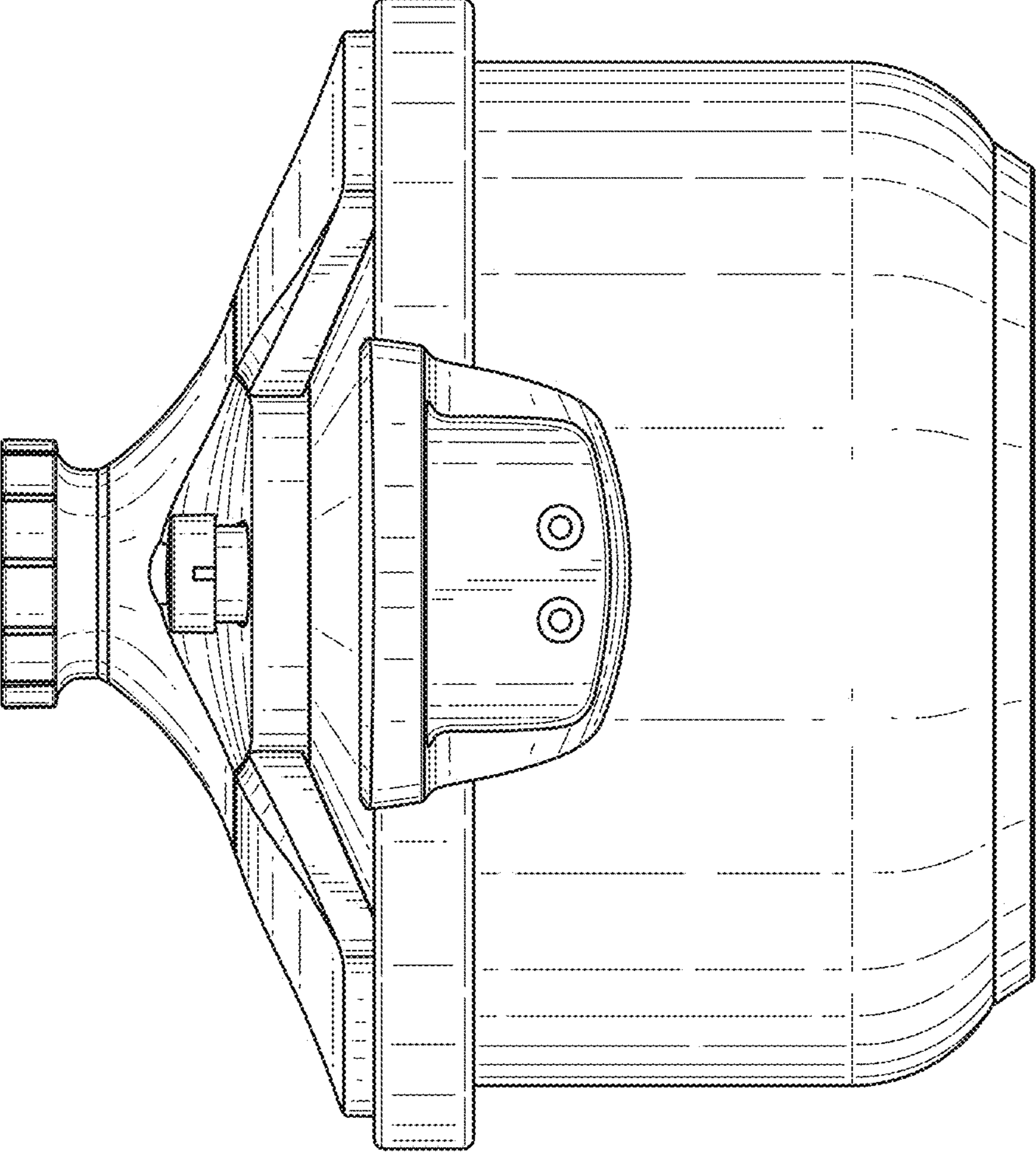


FIG. 5

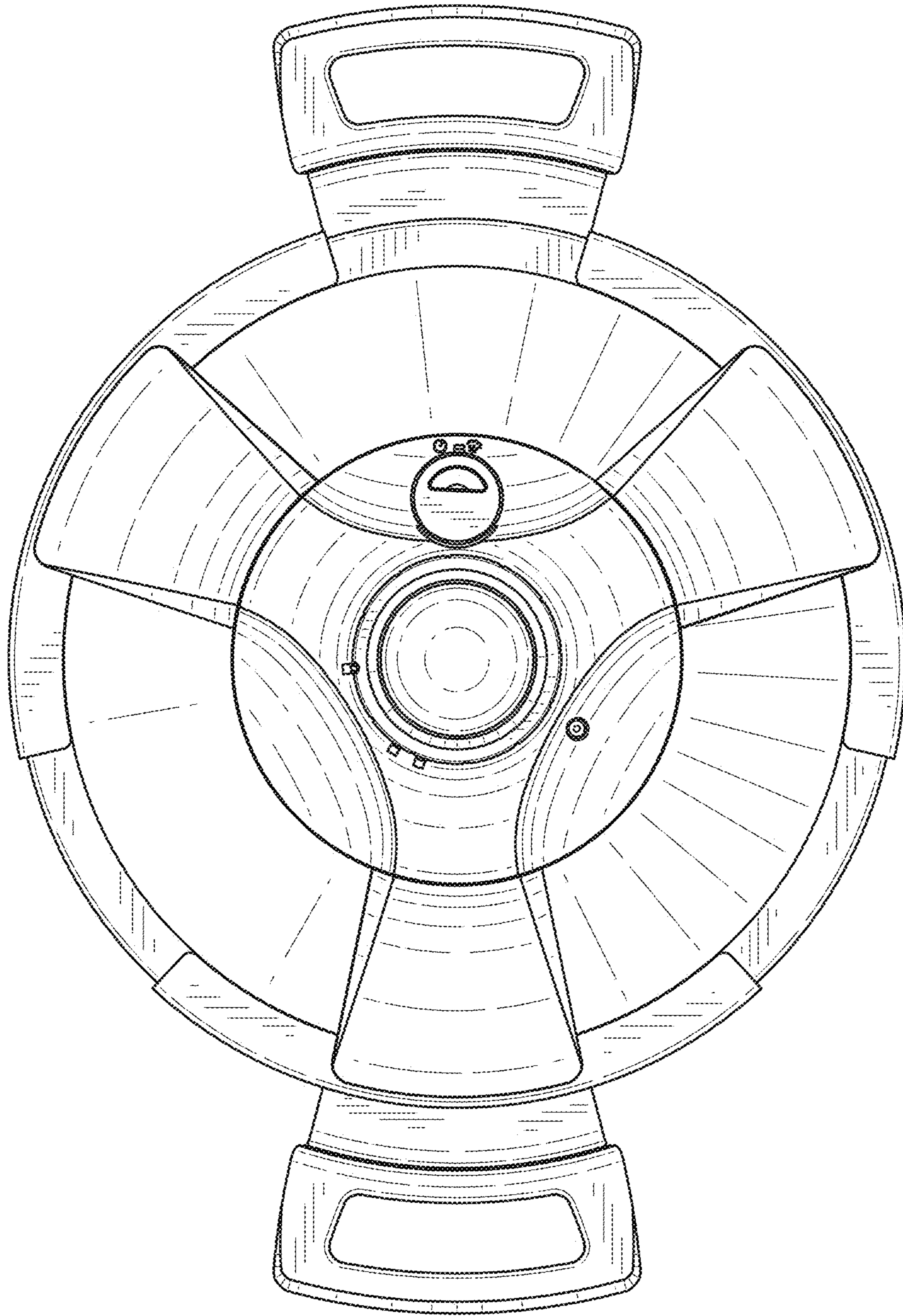


FIG. 6

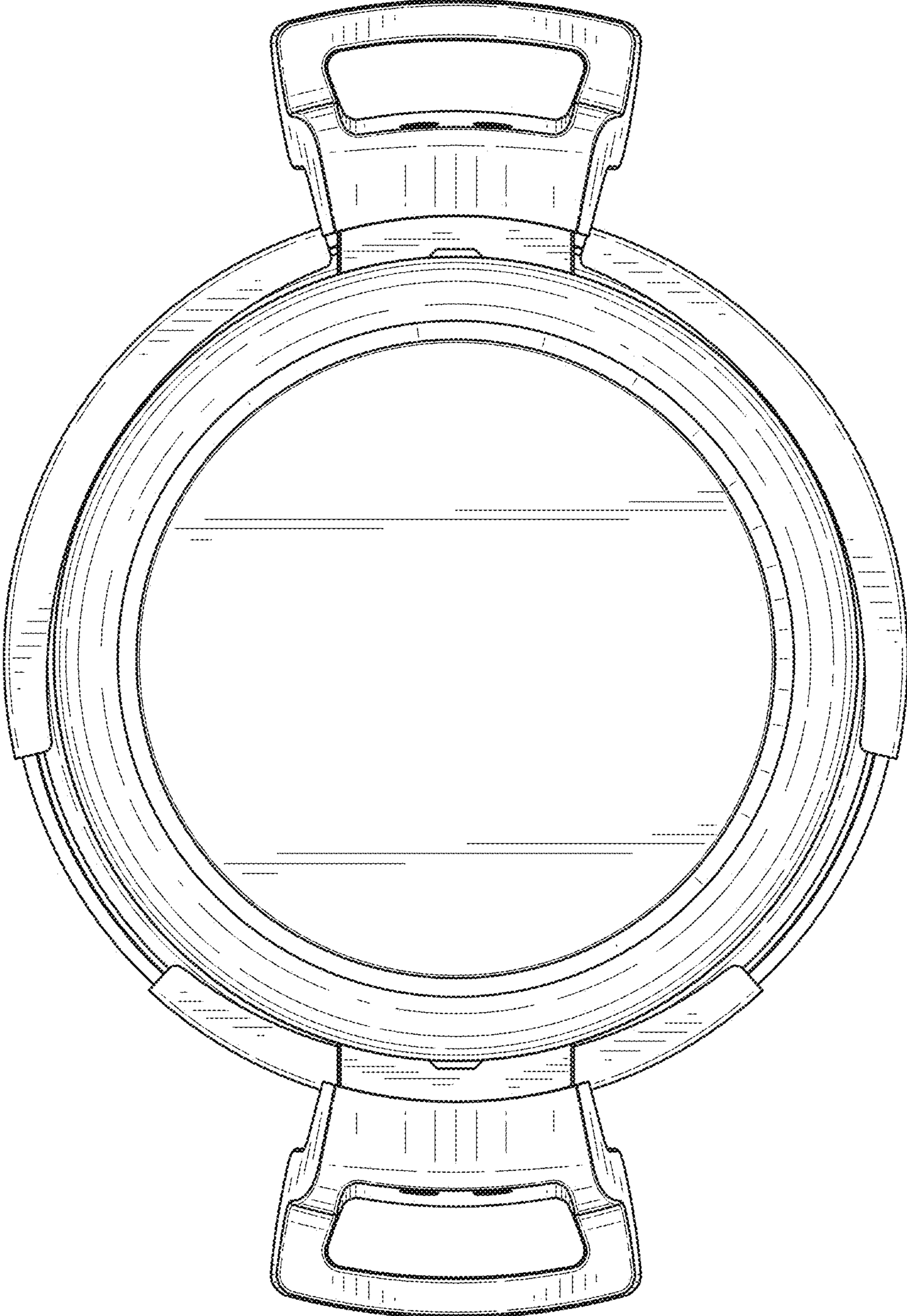


FIG. 7