



US00D876151S

(12) **United States Design Patent**
Lim et al.

(10) **Patent No.:** **US D876,151 S**

(45) **Date of Patent:** **** Feb. 25, 2020**

(54) **BUILT-IN INDUCTION RANGE**

F24C 3/002; F24C 5/00; F24C 7/00;
F24C 15/02

(71) Applicant: **LG ELECTRONICS INC.**, Seoul
(KR)

See application file for complete search history.

(72) Inventors: **Jaemyung Lim**, Seoul (KR); **Sangwoo Kim**, Seoul (KR); **Sooyeon Kim**, Seoul (KR); **Yoonji Lee**, Seoul (KR); **Hangbok Lee**, Seoul (KR); **Hanjin Jung**, Seoul (KR); **Sangwoog Cho**, Seoul (KR); **Yuna Jo**, Seoul (KR)

(56) **References Cited**

U.S. PATENT DOCUMENTS

D568,674 S *	5/2008	Tanaka	D7/346
D609,960 S *	2/2010	Cutino	D7/346
D621,654 S *	8/2010	Carlini	D7/405
D622,100 S *	8/2010	Carlini	D7/405
D625,148 S *	10/2010	Murphy	D7/406
D668,109 S *	10/2012	Borjesson	D7/406
D696,894 S *	1/2014	Meda	D7/346
D702,989 S *	4/2014	Nordwall	D7/349
D704,980 S *	5/2014	Nordwall	D7/346
D705,009 S *	5/2014	Kwack	D7/346
D733,484 S *	7/2015	Roberson	D7/346

(Continued)

(73) Assignee: **LG ELECTRONICS INC.**, Seoul
(KR)

Primary Examiner — Nicole C Shiflet

(**) Term: **15 Years**

(74) *Attorney, Agent, or Firm* — Birch, Stewart, Kolasch & Birch, LLP

(21) Appl. No.: **35/505,314**

(22) Filed: **Jan. 19, 2018**

(57) **CLAIM**

(80) **Hague Agreement Data**

Int. Filing Date: **Jan. 19, 2018**

Int. Reg. No.: **DM/100343**

Int. Reg. Date: **Jan. 19, 2018**

Int. Reg. Pub. Date: **Jul. 20, 2018**

The ornamental design for a built-in induction range, as shown and described.

DESCRIPTION

(30) **Foreign Application Priority Data**

Jul. 21, 2017 (KR) 30-2017-0033809

(51) **LOC (12) Cl.** **07-02**

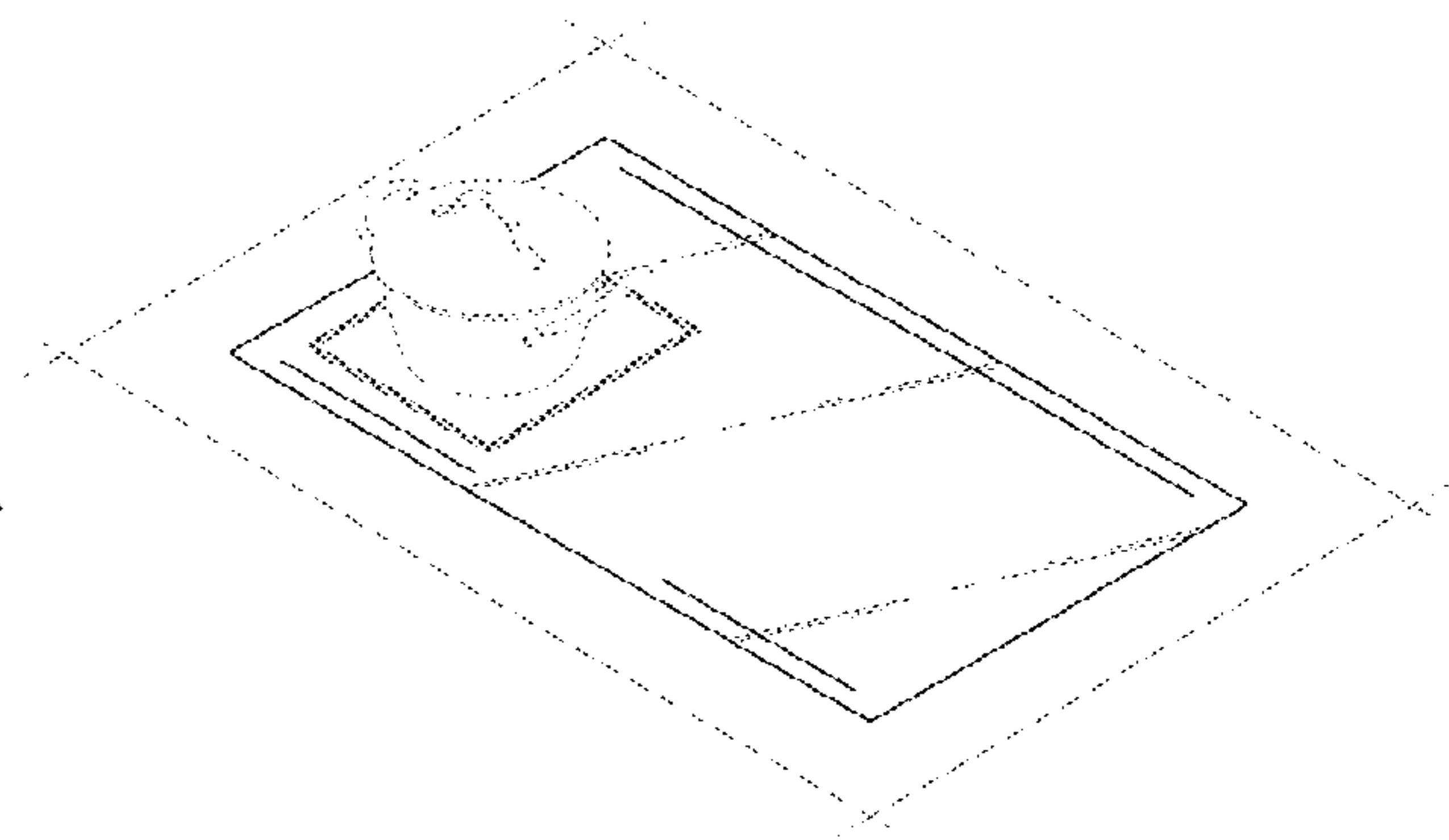
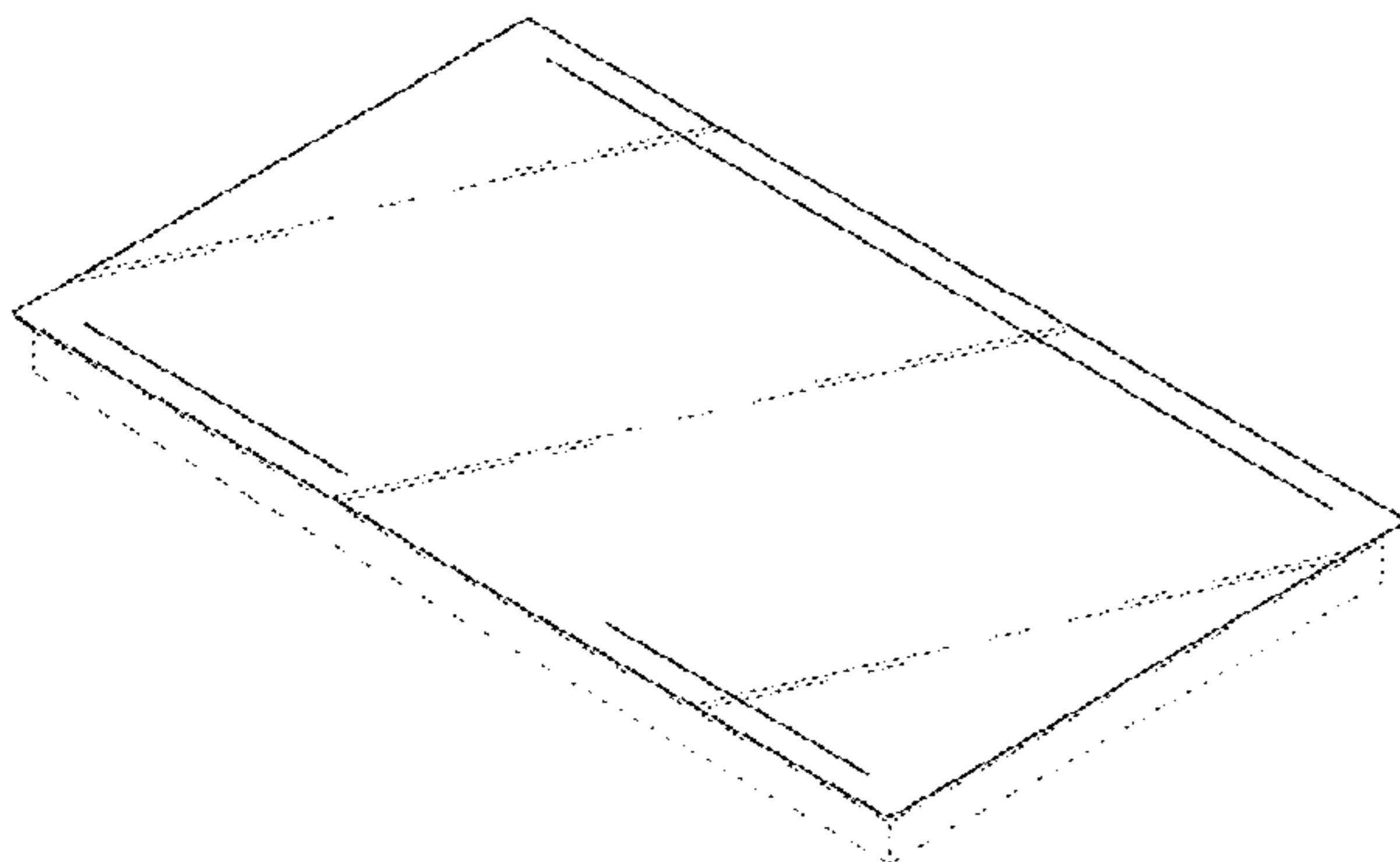
(52) **U.S. Cl.**
USPC **D7/346**

(58) **Field of Classification Search**
USPC D7/402–407, 346–349, 323, 339–340,
D7/350.1–350.4, 351, 332
CPC H05B 1/0261; H05B 1/0263; F24C 3/00;

1. Built-in induction range
- 1.1 is a front perspective view of a built-in induction range;
- 1.2 is a front view thereof where the back view is a mirror image;
- 1.3 is a left view thereof where the right view is a mirror image;
- 1.4 is a top view thereof;
- 1.5 is a bottom view thereof;
- 1.6 is a front perspective view of the built-in induction range shown with environment; and
- 1.7 is a front perspective view of the built-in induction range shown with environment in a state of use.

The dash-dash broken lines depict portions of the built-in induction range and a pot that form no part of the claimed design. The dash-dot broken lines define the boundary of the

(Continued)



claimed design and form no part thereof. The environment shown in 1.6 and 1.7 forms no part of the claimed design.

1 Claim, 7 Drawing Sheets

(56)

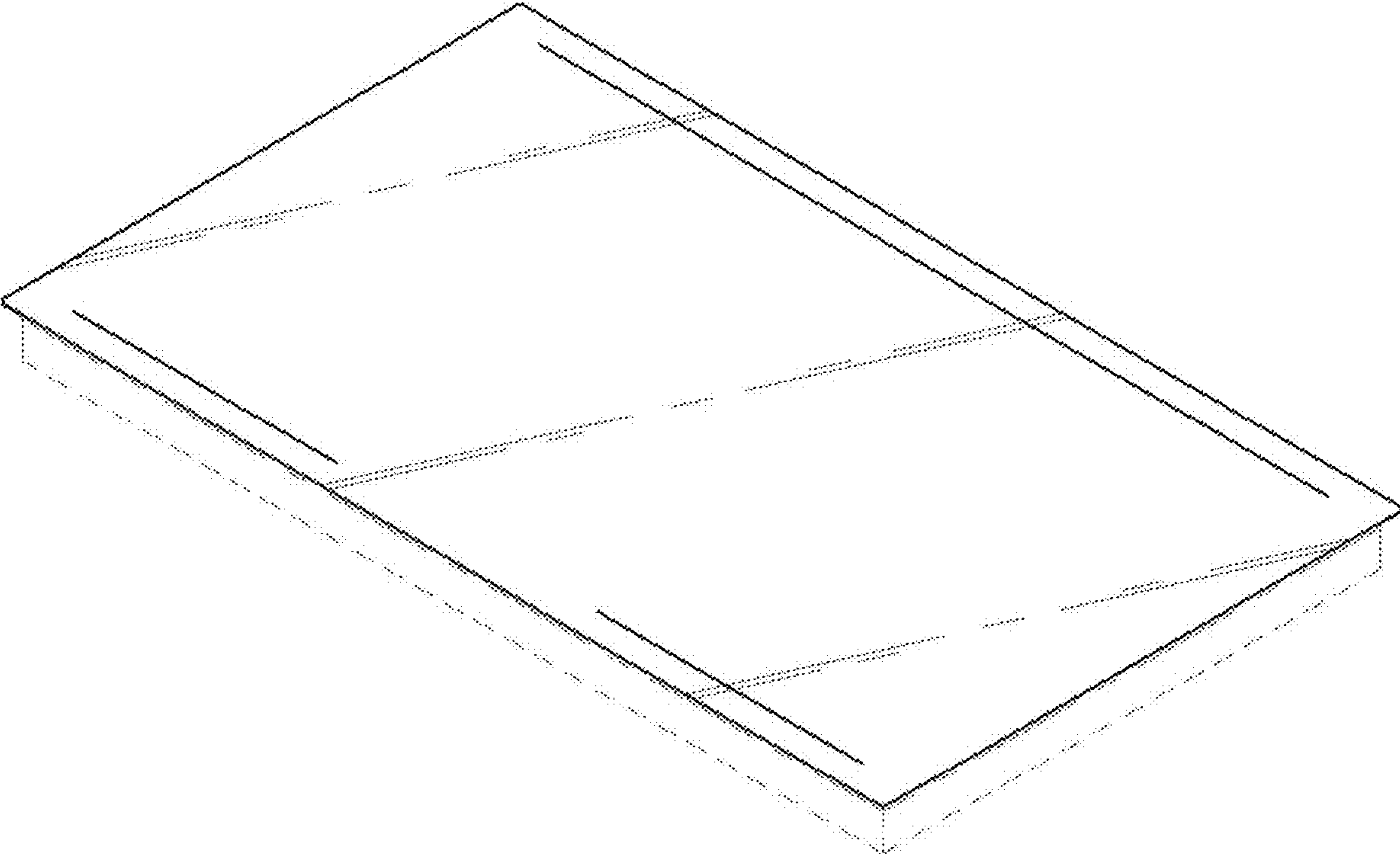
References Cited

U.S. PATENT DOCUMENTS

D740,065	S	*	10/2015	Dumont	D7/346
D777,503	S	*	1/2017	Kim	D7/346
D778,100	S	*	2/2017	Kim	D7/346
D778,101	S	*	2/2017	Spurrier	D7/346
D807,106	S	*	1/2018	Roberson	D7/346
D833,797	S	*	11/2018	Chung	D7/346
D833,798	S	*	11/2018	Chung	D7/346
D833,800	S	*	11/2018	Chung	D7/346
D834,364	S	*	11/2018	Chung	D7/346
D836,375	S	*	12/2018	Chung	D7/346

* cited by examiner

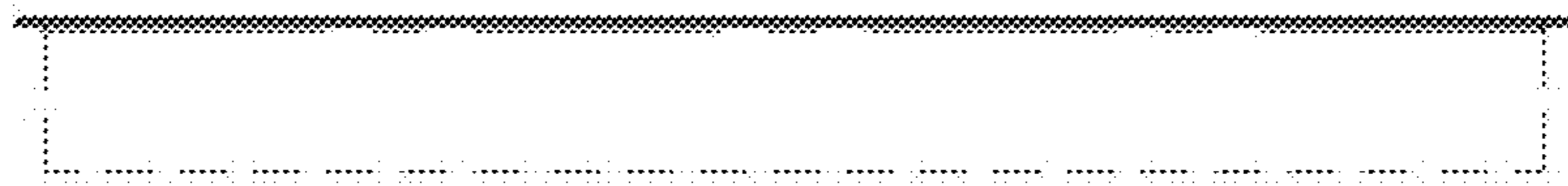
1.1



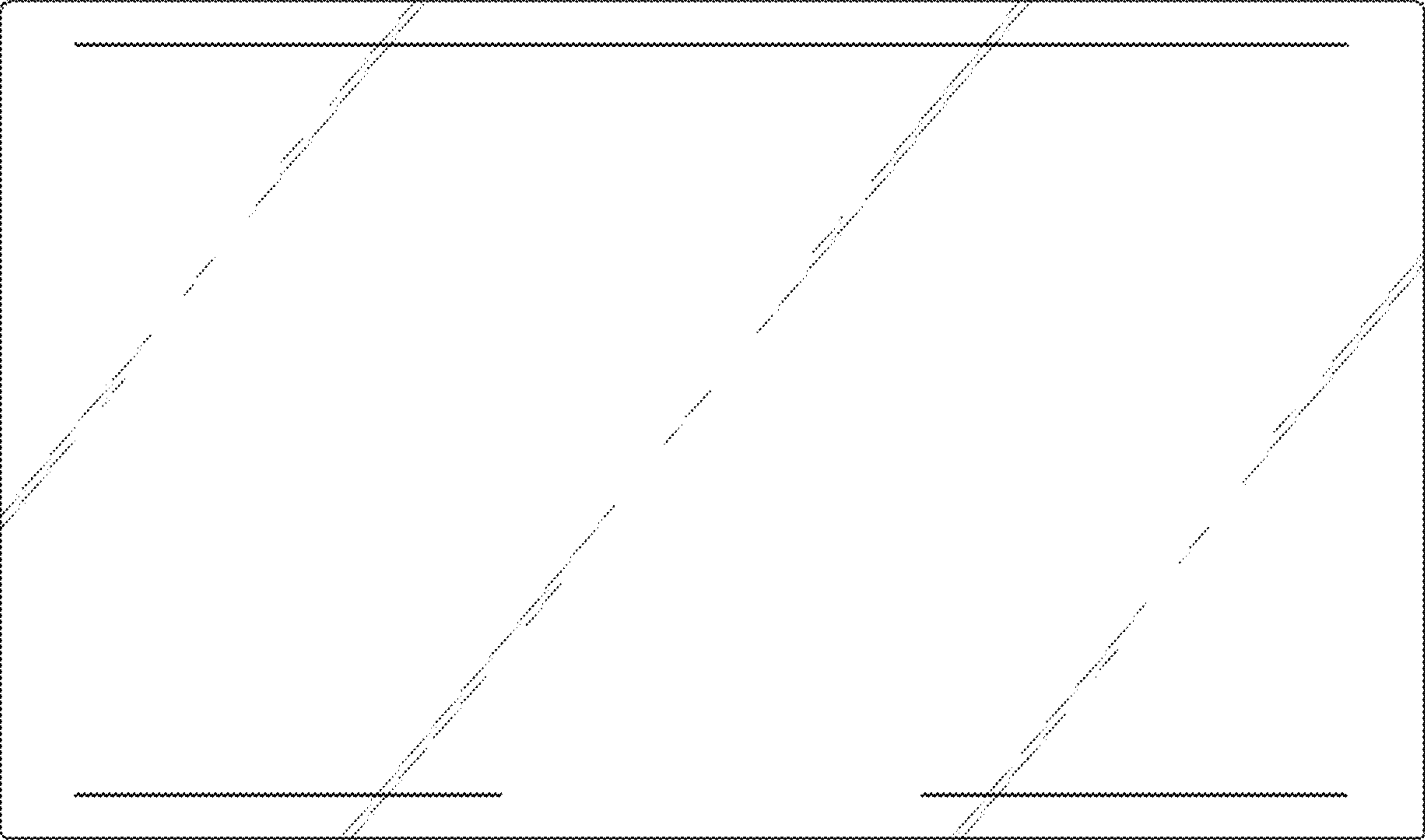
1.2



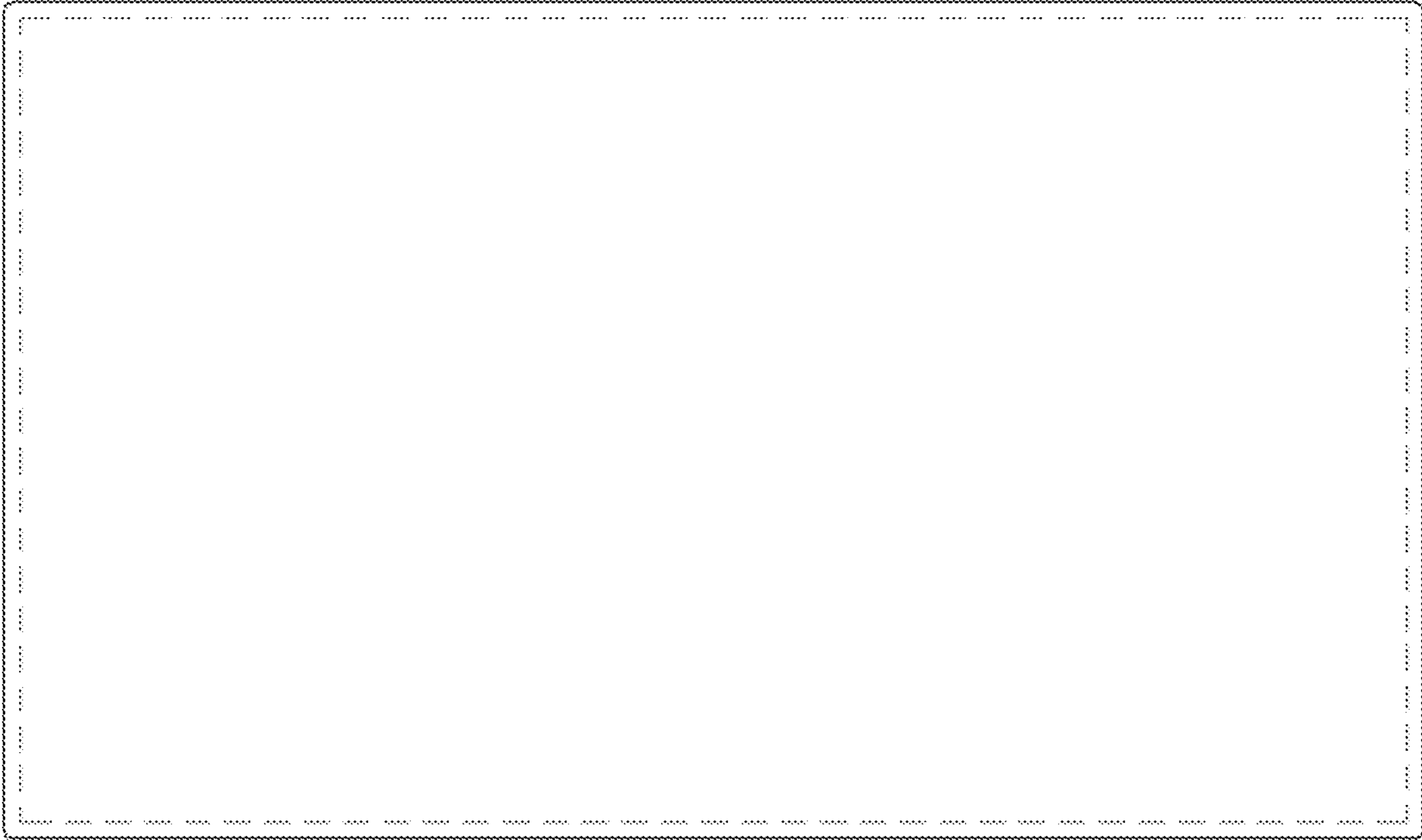
1.3



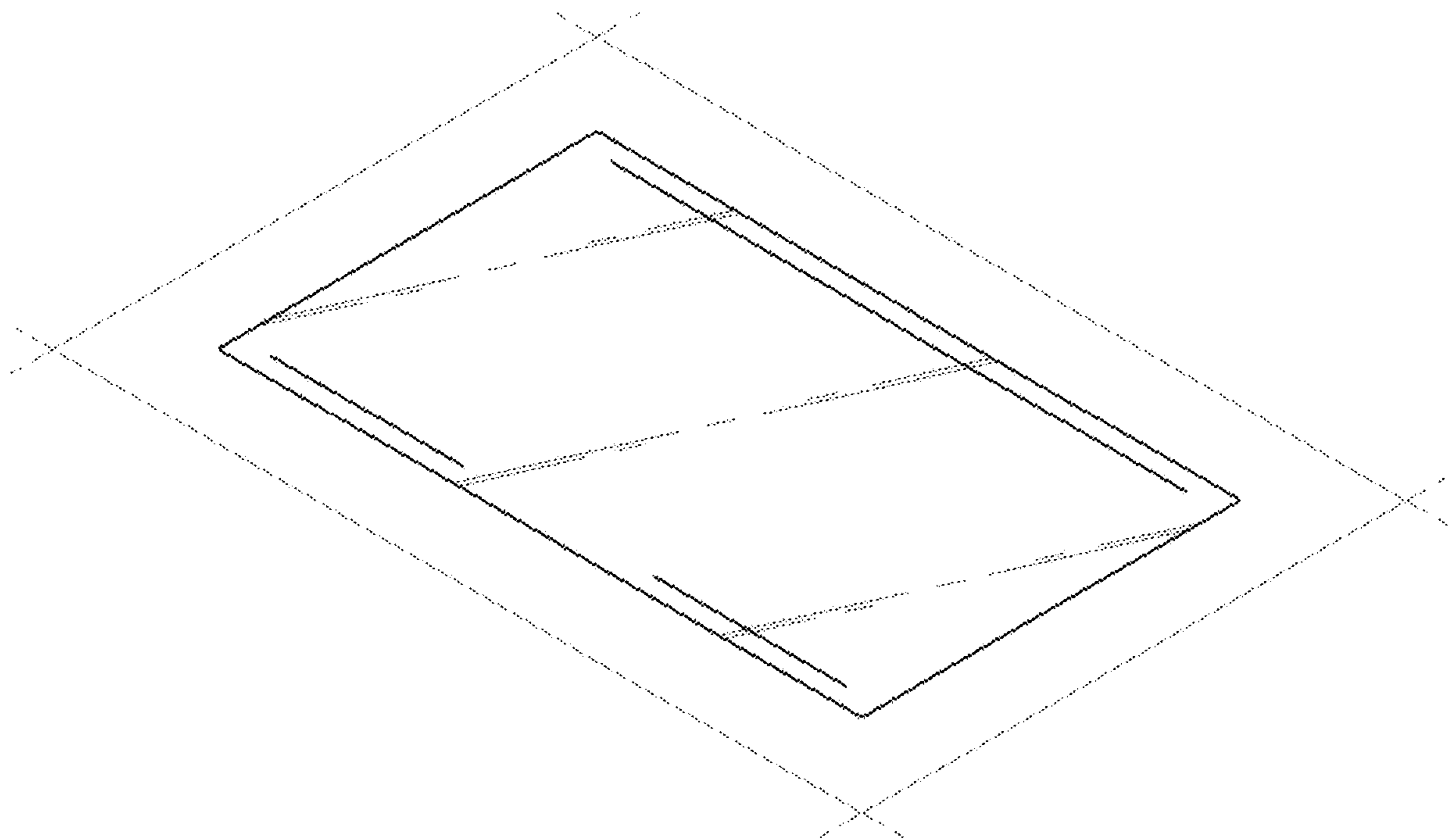
1.4



1.5



1.6



1.7

