



US00D876150S

(12) **United States Design Patent**  
**Goldberg**

(10) **Patent No.:** **US D876,150 S**

(45) **Date of Patent:** **\*\* Feb. 25, 2020**

- (54) **HOT DOG GRILLER**
- (71) Applicant: **PS Gems LLC**, Brooklyn, NY (US)
- (72) Inventor: **Tzvi Goldberg**, Lakewood, NJ (US)
- (73) Assignee: **PS Gems LLC**, Brooklyn, NY (US)

7,591,220 B2 \* 9/2009 Sheridan, Jr. .... A47J 37/048  
126/181  
7,658,143 B2 \* 2/2010 Cretors ..... A47J 37/048  
99/331  
9,408,496 B2 \* 8/2016 Cretors ..... A47J 37/048  
9,439,535 B1 \* 9/2016 Huegerich ..... A47J 37/048  
2010/0170885 A1 \* 7/2010 Cretors ..... H05B 3/02  
219/469

(\*\*) Term: **15 Years**

(Continued)

(21) Appl. No.: **29/667,257**

*Primary Examiner* — Ricky Pham

(22) Filed: **Oct. 19, 2018**

(74) *Attorney, Agent, or Firm* — Amster, Rothstein & Ebenstein LLP

(51) **LOC (12) Cl.** ..... **07-02**

(52) **U.S. Cl.**

USPC ..... **D7/338**

(58) **Field of Classification Search**

USPC ..... D7/323, 328–330, 337–338, 347,  
D7/352–364, 367, 402, 409–411  
CPC . A21B 5/023; A47J 27/60; A47J 27/62; A47J  
36/06; A47J 37/04; A47J 37/048; A47J  
37/049; A47J 37/06; A47J 37/067; A47J  
37/0605; A47J 37/0611; A47J 37/0623;  
A47J 37/0629; A47J 37/0676; A47J  
2037/06; A47J 2037/0611; F24C 15/10;  
F24C 15/102; H05B 3/02; H05B 6/02;  
H05B 6/062

See application file for complete search history.

(56) **References Cited**

**U.S. PATENT DOCUMENTS**

- 2,697,395 A \* 12/1954 Steriss ..... A47J 37/048  
99/423
- 4,516,485 A \* 5/1985 Miller ..... A47J 37/067  
99/339
- 6,393,971 B1 \* 5/2002 Hunot ..... A47J 36/06  
219/214
- 6,800,314 B2 \* 10/2004 Evans ..... A47J 37/048  
219/214
- D515,864 S \* 2/2006 Elnekaveh ..... D7/338
- 7,367,261 B2 \* 5/2008 Gaskill ..... A47J 37/048  
99/339

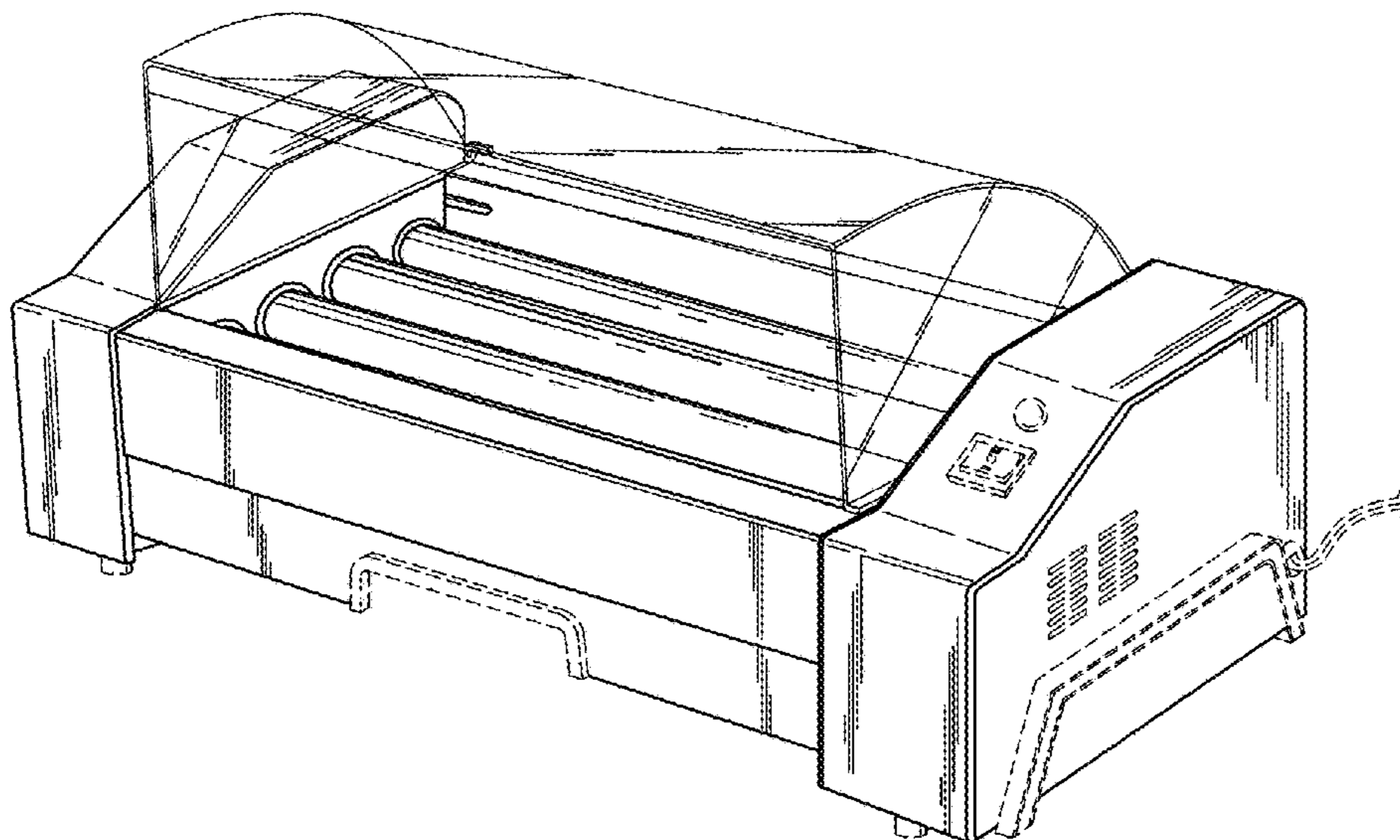
(57) **CLAIM**

The ornamental design for a hot dog griller, as shown and described.

**DESCRIPTION**

FIG. 1 is a front perspective view of the hot dog griller showing the present design.  
FIG. 2 is a top plan view thereof.  
FIG. 3 is a front view thereof.  
FIG. 4 is a rear view thereof.  
FIG. 5 is a left side view thereof.  
FIG. 6 is a right side view thereof.  
FIG. 7 is a bottom plan view thereof.  
FIG. 8 is a perspective view of the hot dog griller, shown without the cover for clarity and completeness of illustration.  
FIG. 9 is a top plan view thereof.  
FIG. 10 is a front view thereof.  
FIG. 11 is a rear view thereof.  
FIG. 12 is a left side view thereof.  
FIG. 13 is a right side view thereof; and,  
FIG. 14 is a bottom plan view thereof.  
The portions of the design shown in broken lines being for the purpose of illustrating environment only and form no part of the claimed design.

**1 Claim, 12 Drawing Sheets**



(56)

**References Cited**

U.S. PATENT DOCUMENTS

2013/0224359 A1\* 8/2013 Cretors ..... A47J 37/049  
426/523  
2014/0033929 A1\* 2/2014 Humphrey ..... A47J 37/048  
99/332

\* cited by examiner

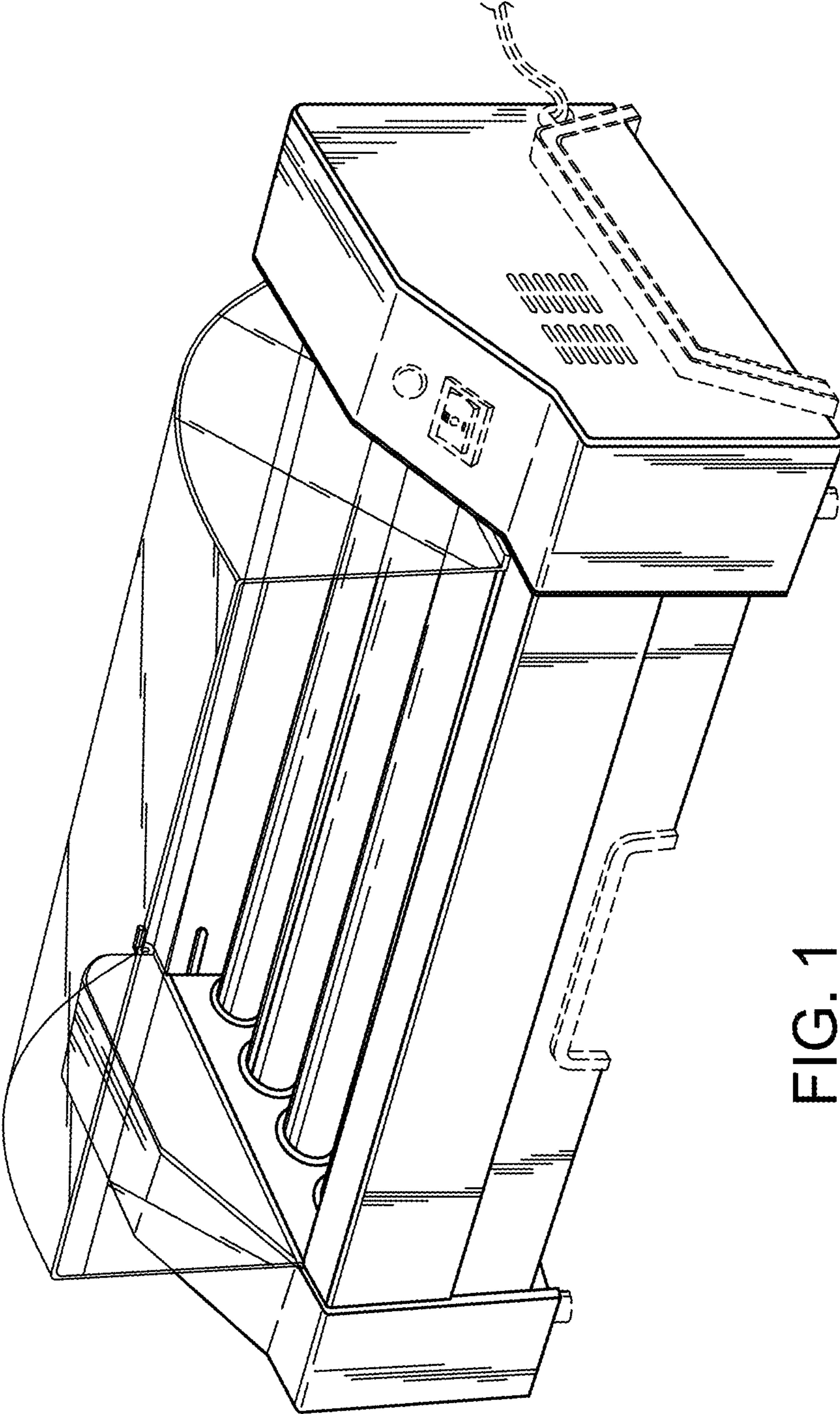


FIG. 1

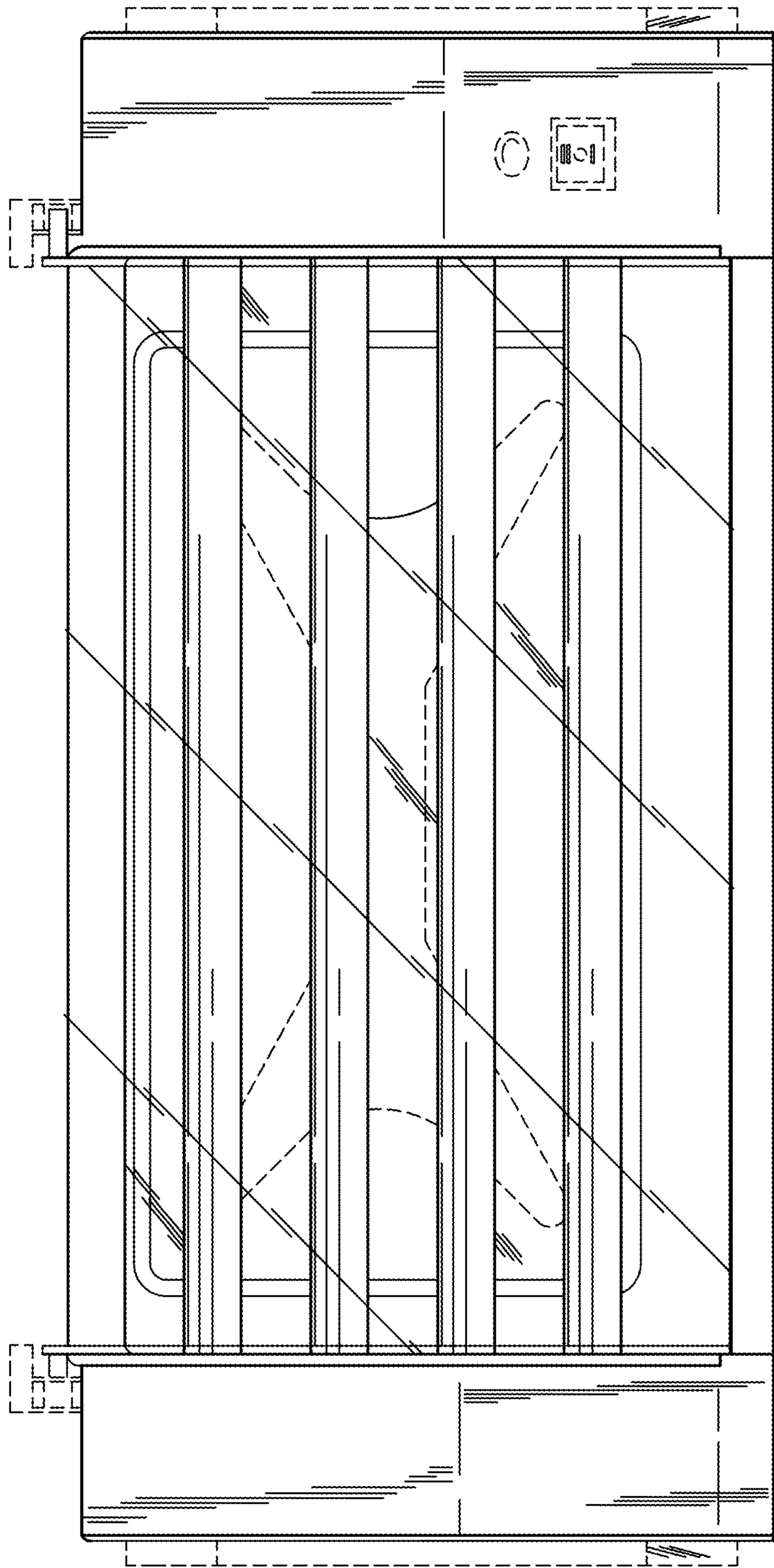


FIG. 2

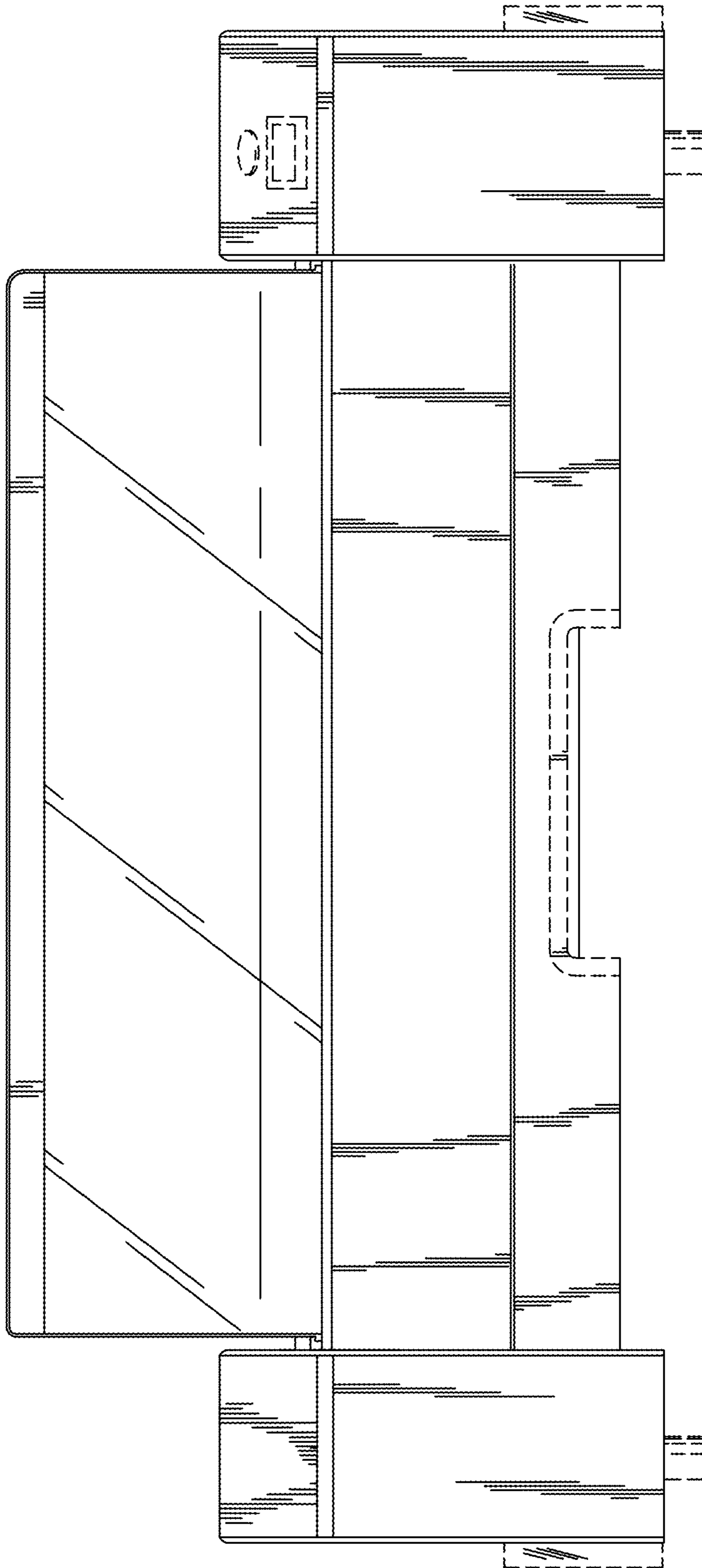


FIG. 3

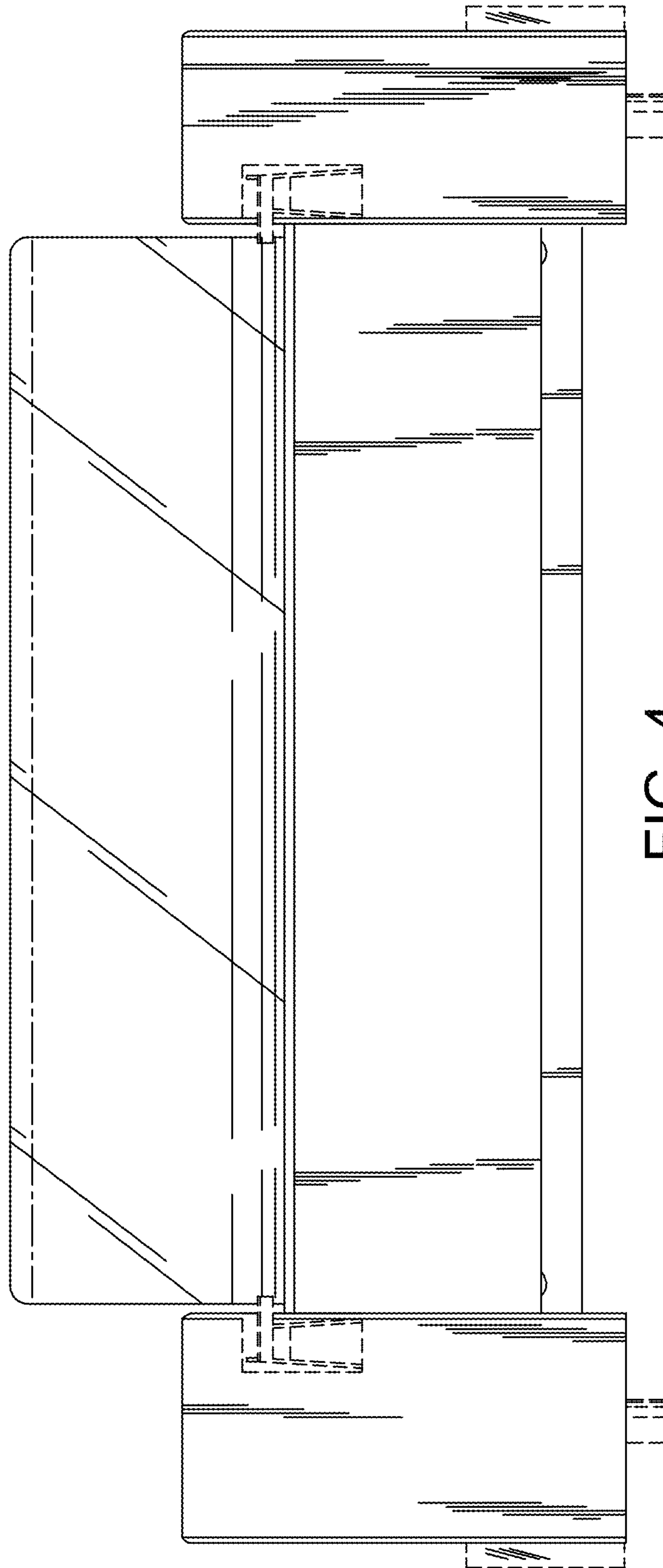


FIG. 4

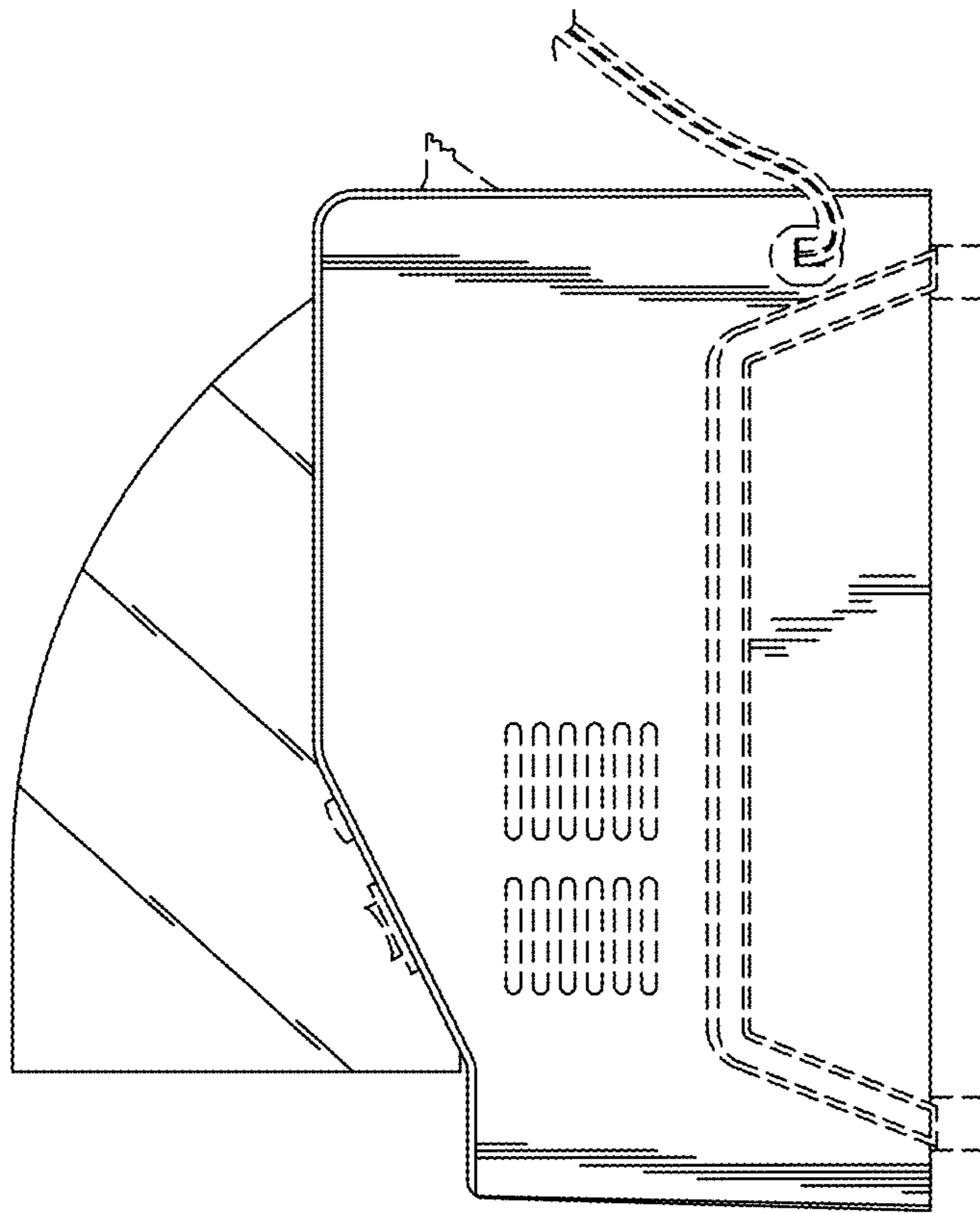


FIG. 6

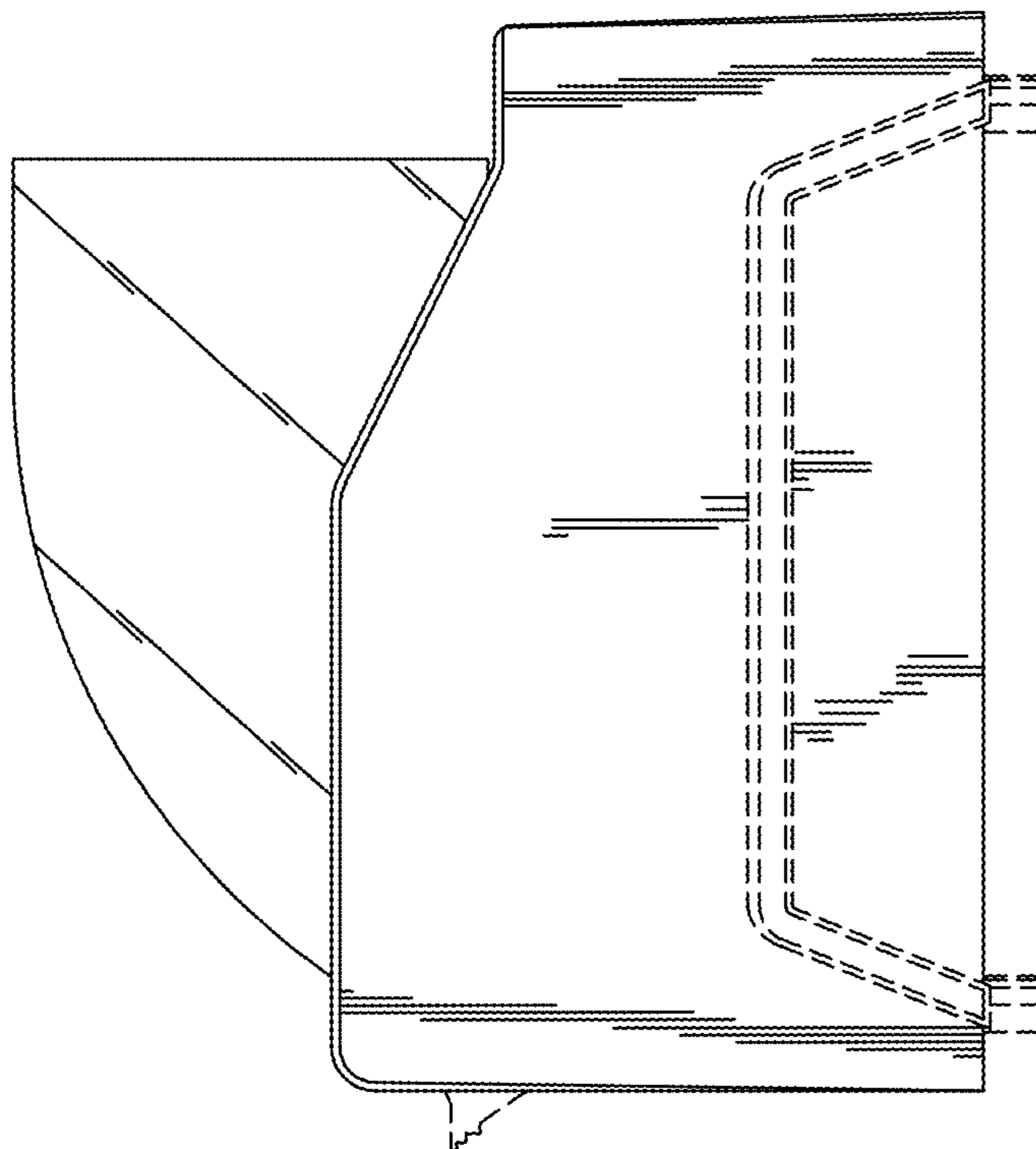


FIG. 5

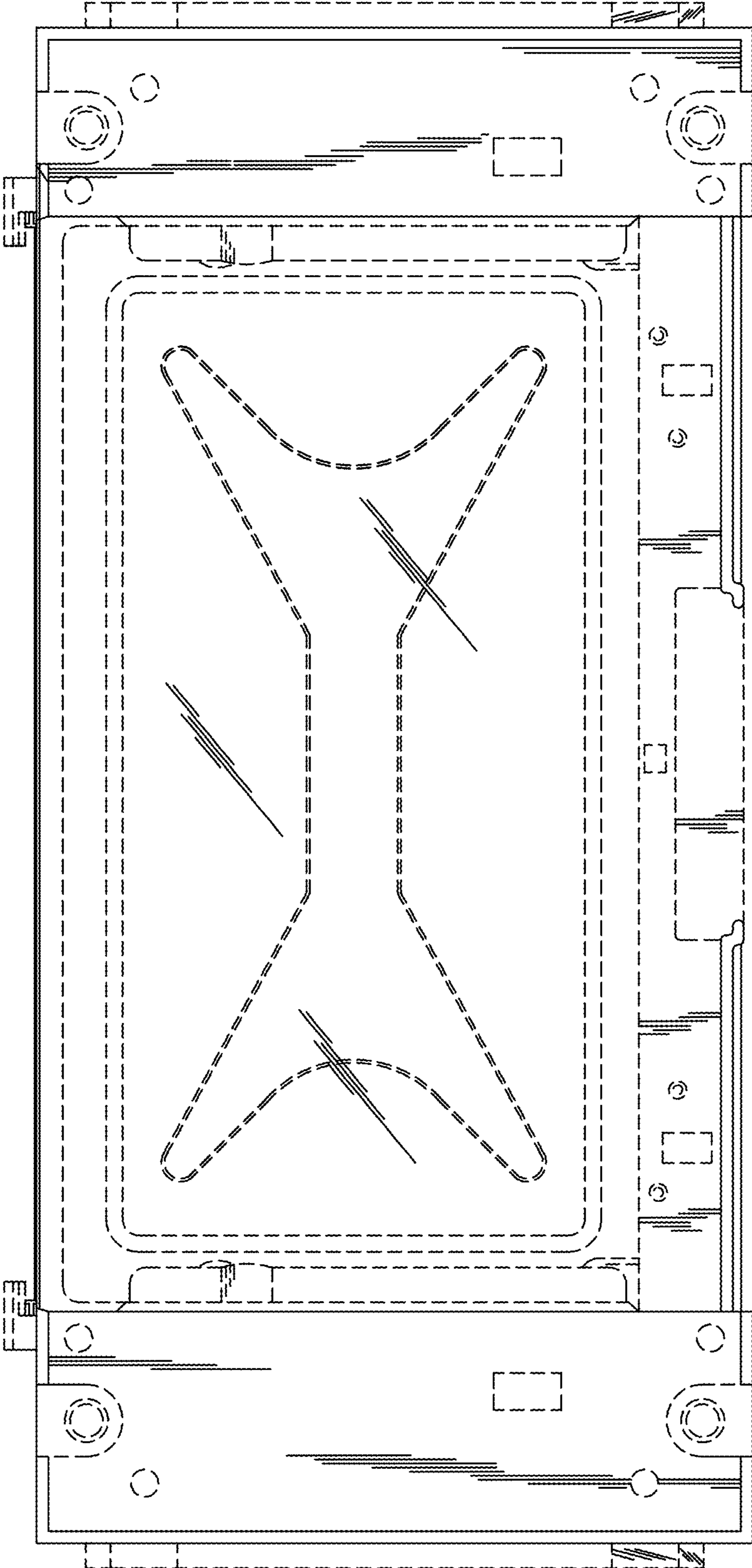


FIG. 7



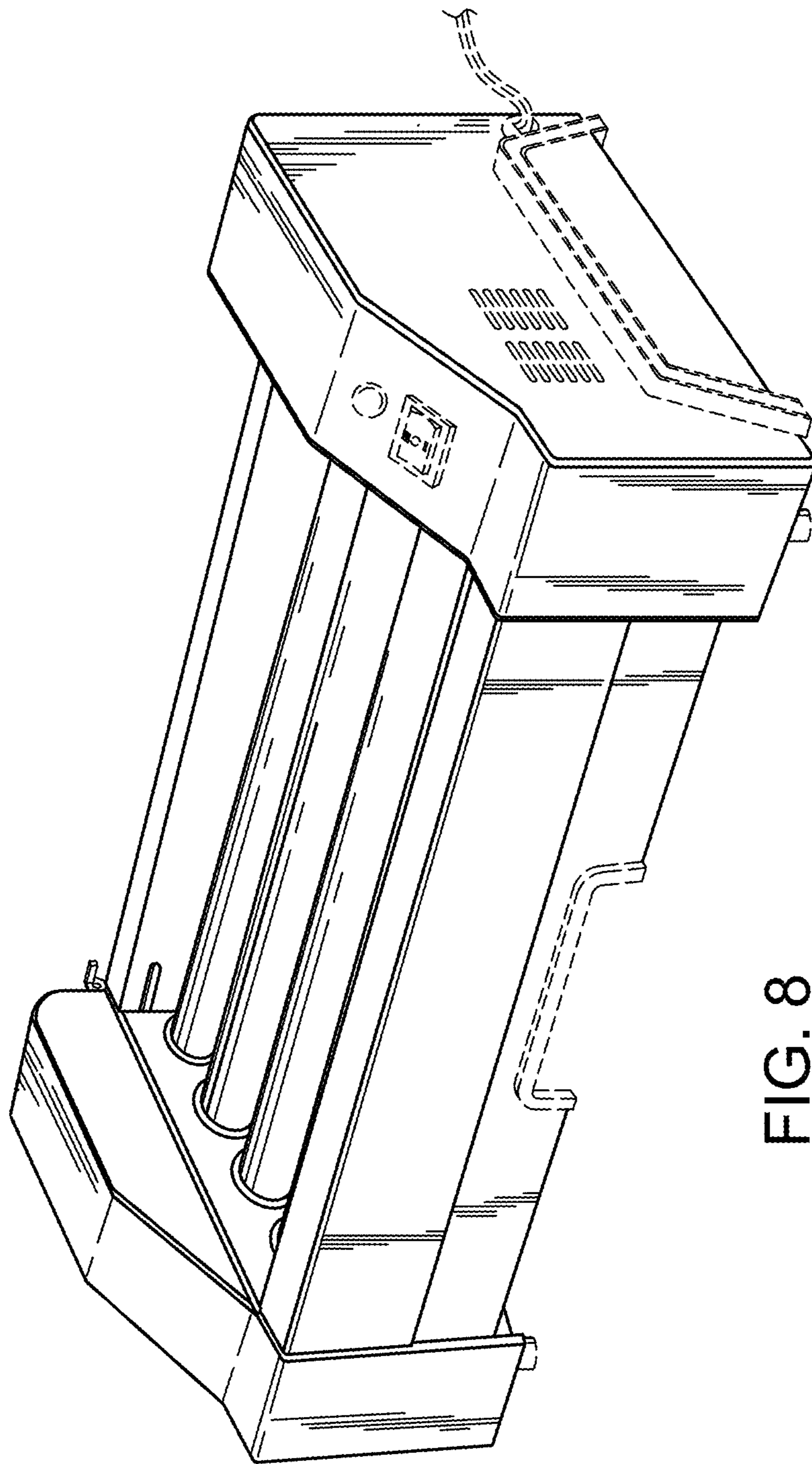


FIG. 8

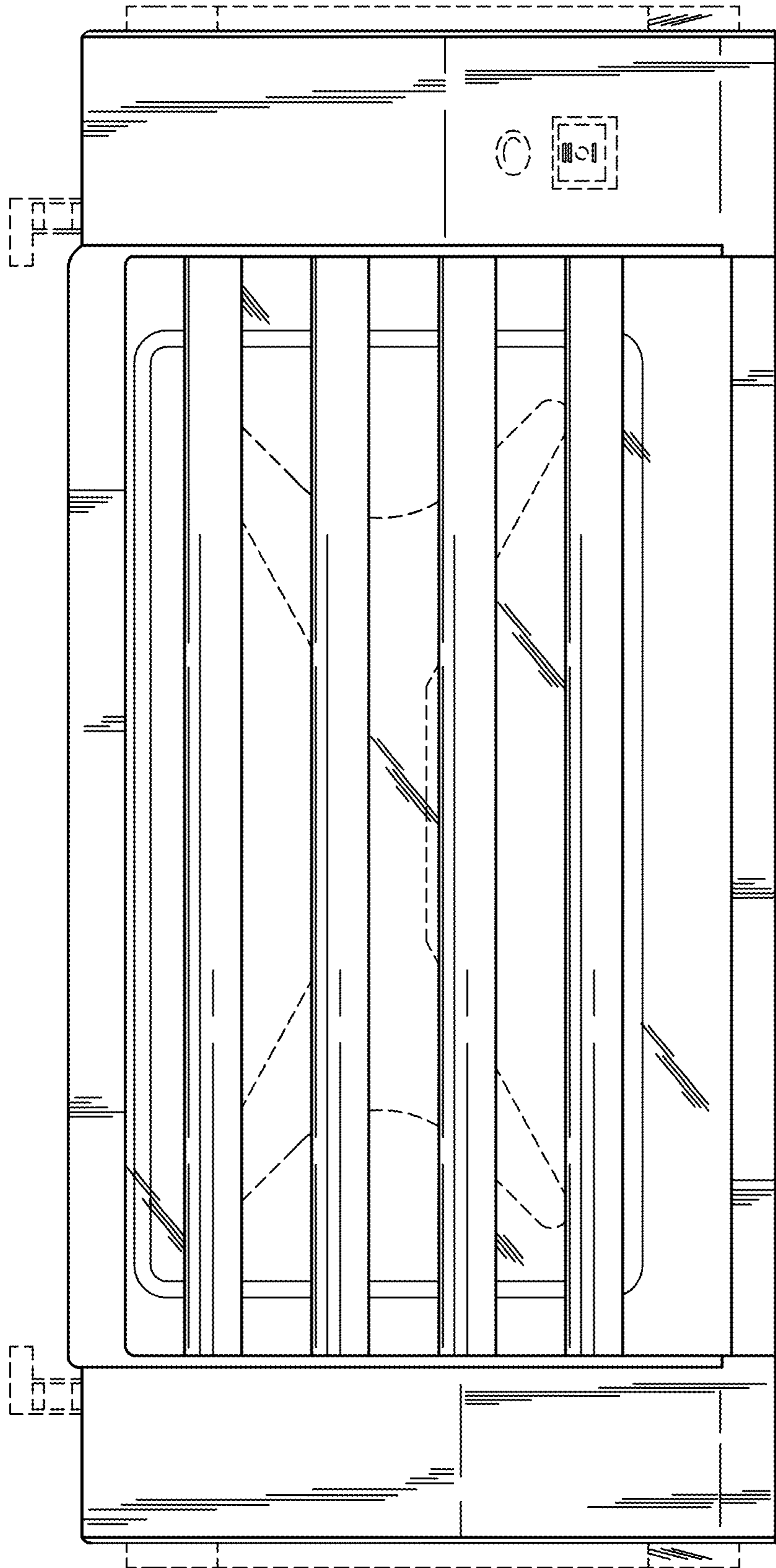


FIG. 9

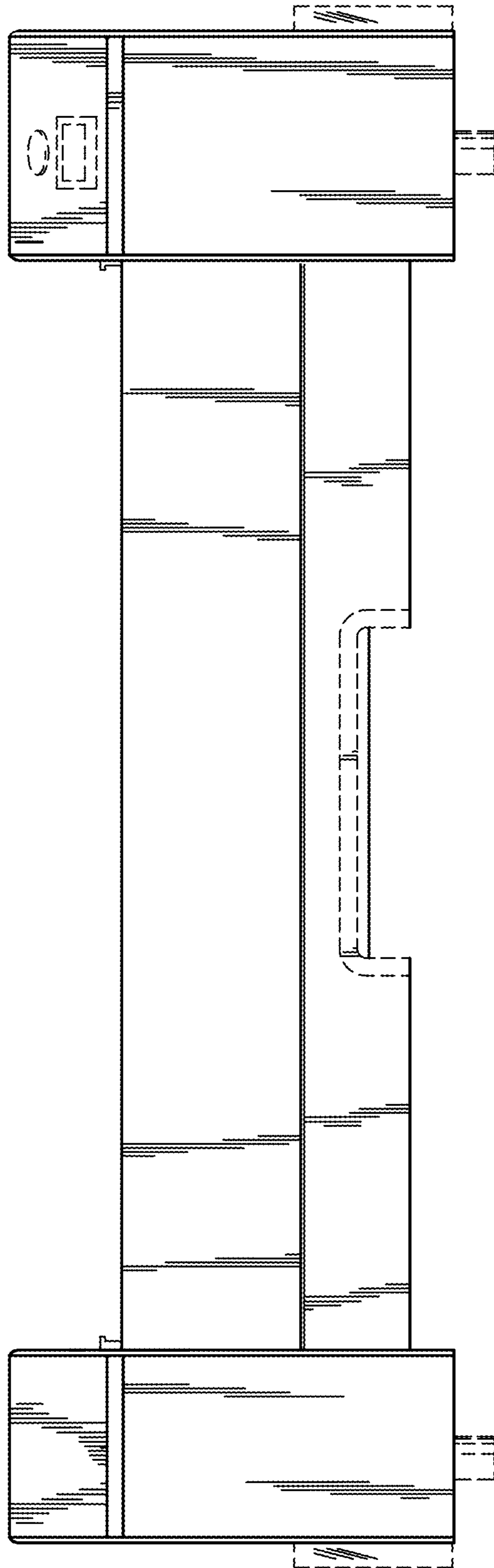


FIG. 10

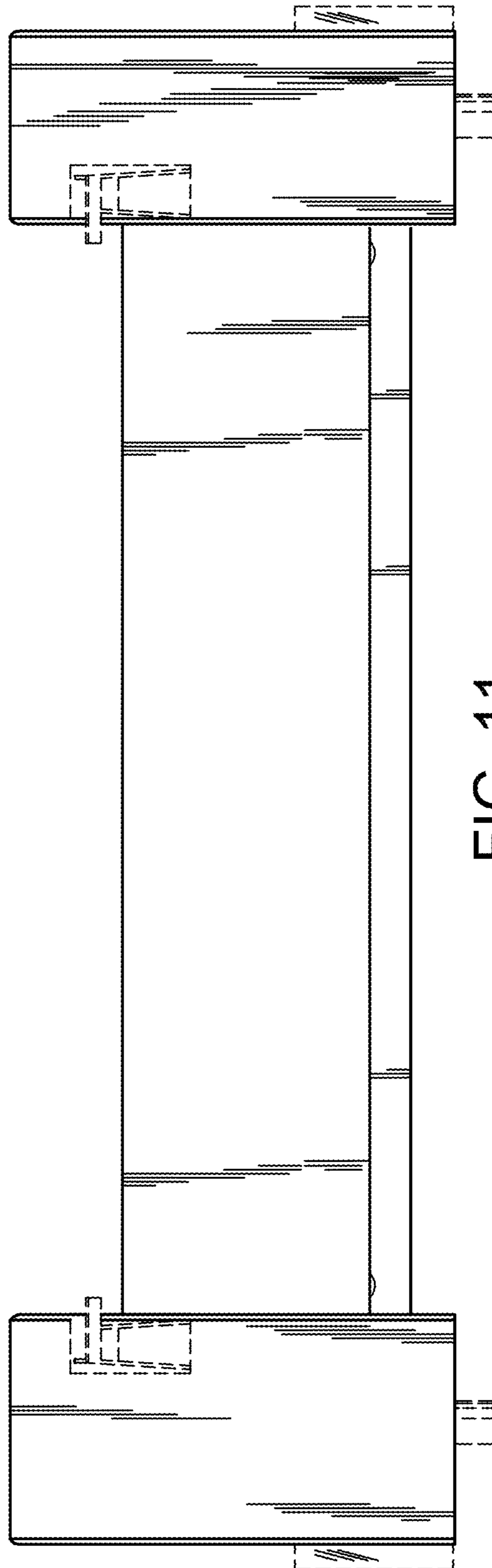


FIG. 11

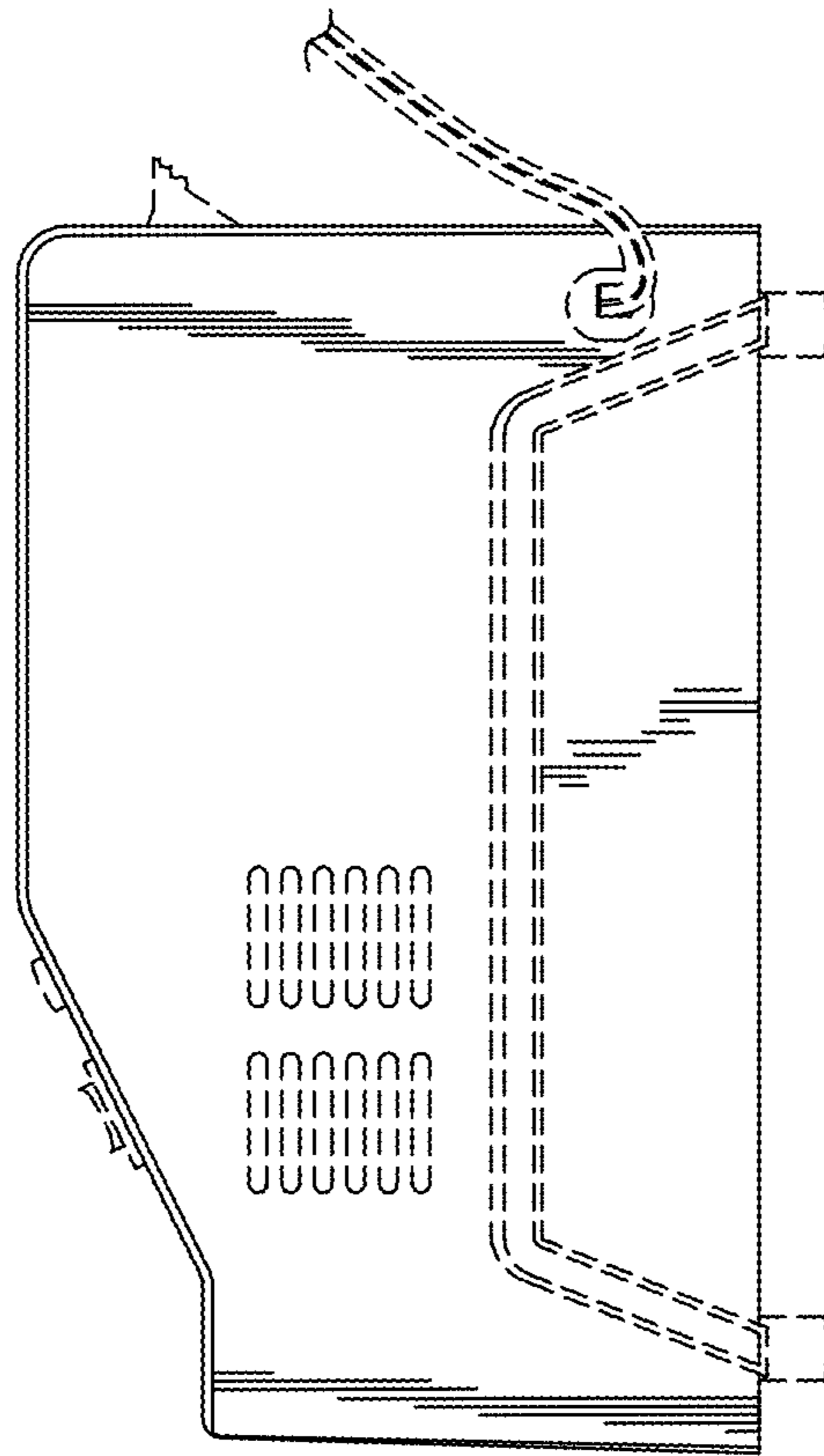


FIG. 13

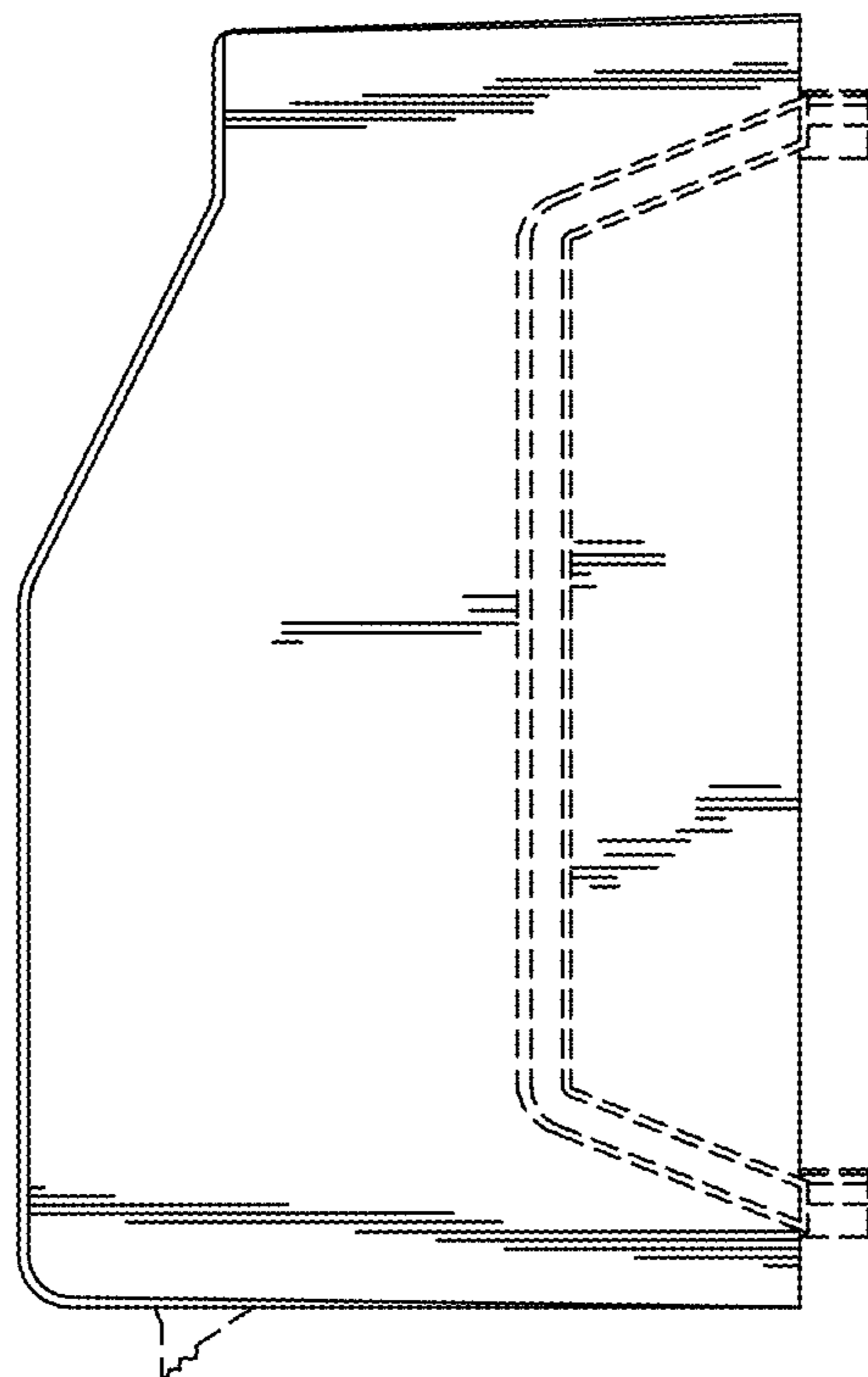


FIG. 12

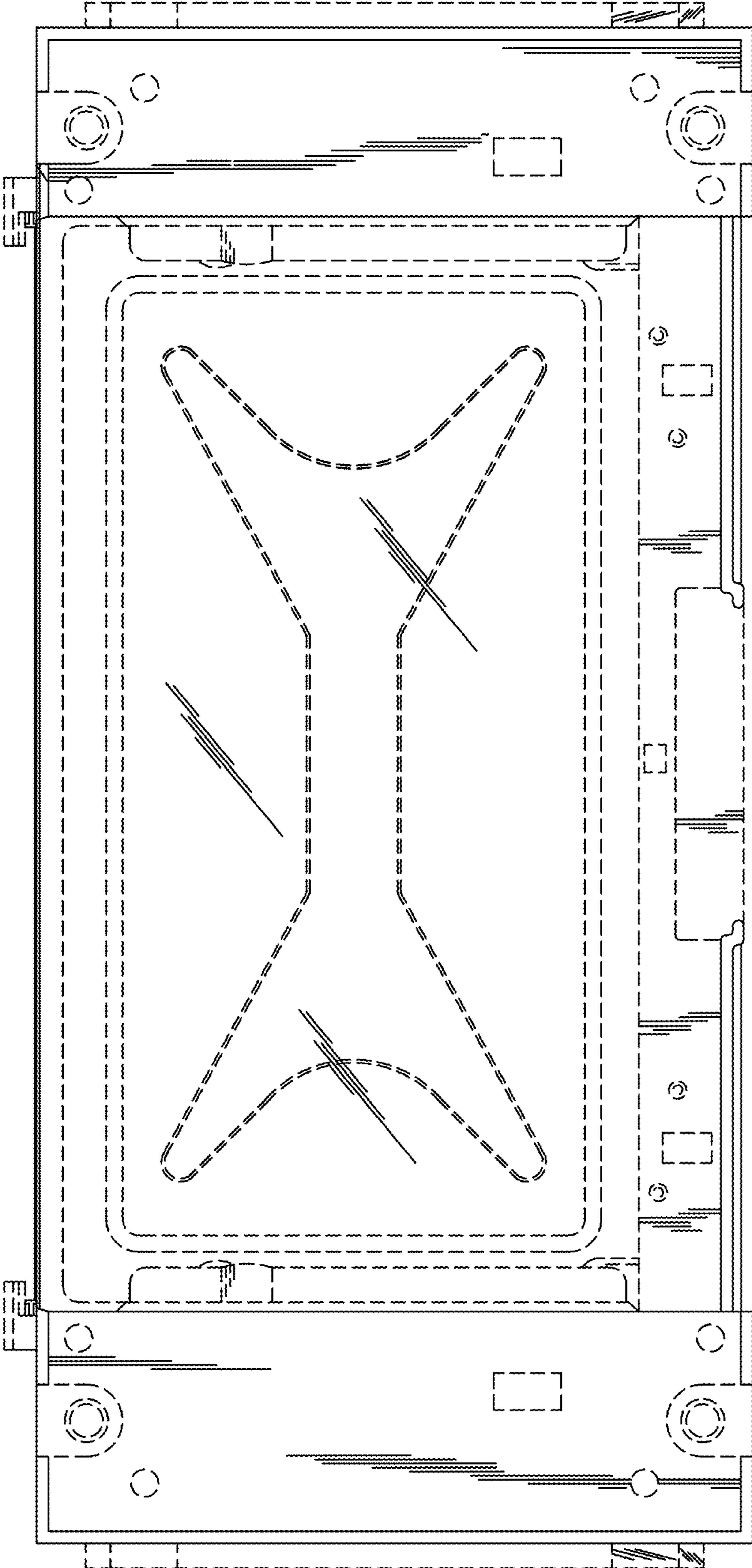


FIG. 14