



US00D876149S

(12) **United States Design Patent** (10) **Patent No.:** **US D876,149 S**  
**Bodum** (45) **Date of Patent:** **\*\* \*Feb. 25, 2020**

(54) **JUG**  
(71) Applicant: **PI-Design AG**, Triengen (CH)  
(72) Inventor: **Jorgen Bodum**, Meggen (CH)  
(73) Assignee: **PI-Design AG**, Triengen (CH)  
(\* ) Notice: This patent is subject to a terminal disclaimer.  
(\*\*) Term: **15 Years**

D553,910 S 10/2007 Bodum  
D553,911 S 10/2007 Bodum  
D565,902 S 4/2008 Bodum  
D584,557 S 1/2009 Bodum  
D587,513 S 3/2009 Bodum  
D730,675 S 6/2015 Williams et al.  
D752,375 S \* 3/2016 Maitland ..... D7/317  
D786,003 S 5/2017 Bodum  
D807,676 S 1/2018 Bodum  
D828,068 S \* 9/2018 Tsui ..... D7/313  
D832,055 S \* 10/2018 Rose ..... D7/598  
2013/0284753 A1\* 10/2013 Kellmann ..... B65F 1/02  
220/666  
2015/0291309 A1\* 10/2015 McGregor ..... A45C 7/0036  
220/573.1

(21) Appl. No.: **29/656,144**  
(22) Filed: **Jul. 10, 2018**  
(30) **Foreign Application Priority Data**  
Feb. 19, 2018 (WO) ..... DM/099919  
(51) **LOC (12) Cl.** ..... **07-01**  
(52) **U.S. Cl.**  
USPC ..... **D7/318**  
(58) **Field of Classification Search**  
USPC ..... D7/316-321, 378, 384, 598, 600, 619.1,  
D7/622; D9/516, 544, 545, 549  
CPC ..... A47J 31/00; A47J 27/21; A47J 27/21008;  
A47G 19/22; A47G 23/0241; A47G  
2016/2277; A47G 19/14  
See application file for complete search history.

(56) **References Cited**  
U.S. PATENT DOCUMENTS  
2,747,387 A 5/1956 Sweern  
D227,134 S 6/1973 Gulotta  
D347,763 S 6/1994 Kleckauskas et al.  
5,384,138 A \* 1/1995 Robbins, III ..... B29C 53/08  
426/111  
D479,090 S 9/2003 Backes et al.

**OTHER PUBLICATIONS**

PI-Design AG, U.S. Appl. No. 29/656,142, filed Jul. 10, 2018.

\* cited by examiner

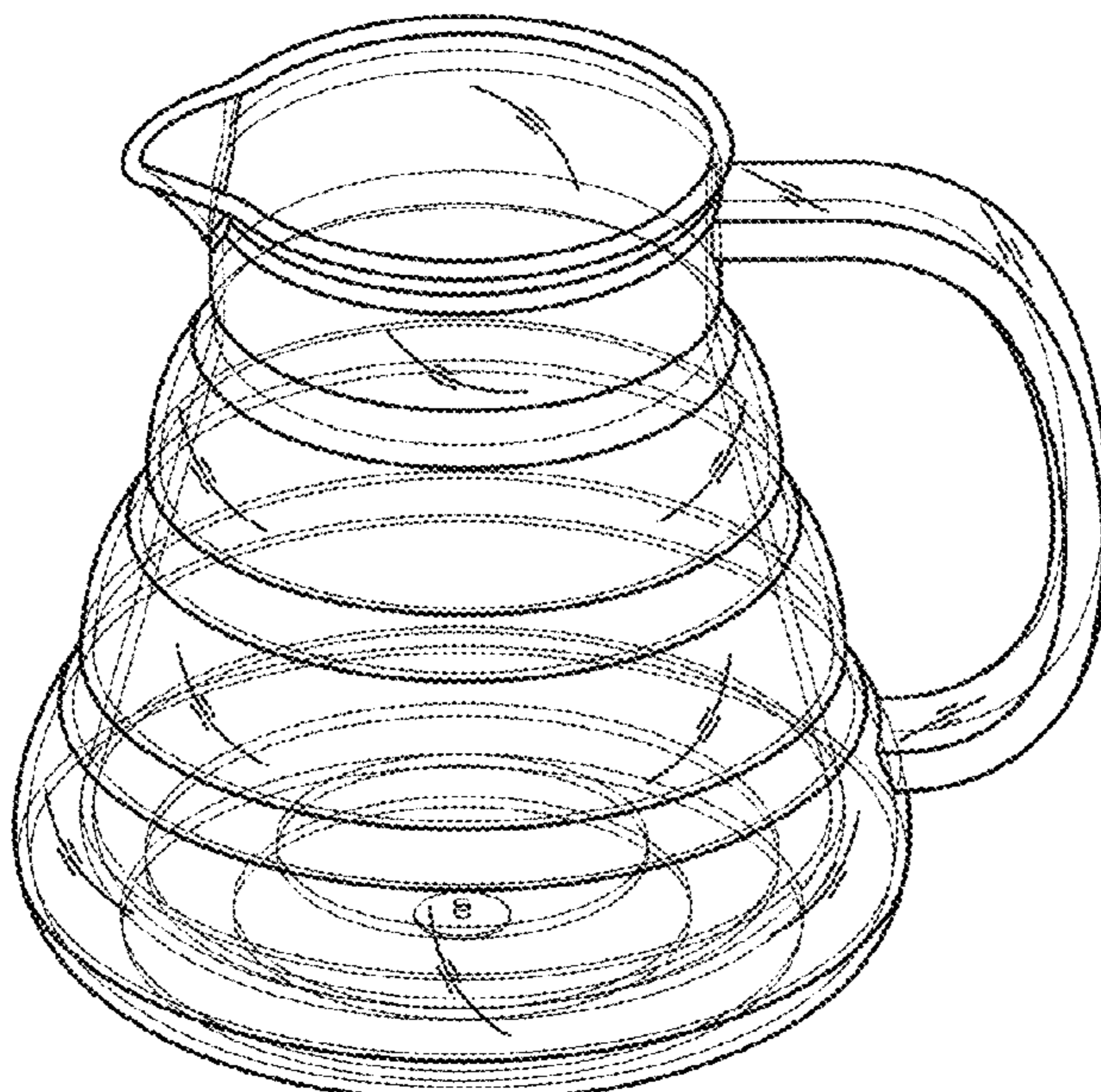
*Primary Examiner* — Derrick E Holland  
*Assistant Examiner* — Andrew Kerr  
(74) *Attorney, Agent, or Firm* — McDonnell Boehnen  
Hulbert & Berghoff LLP

(57) **CLAIM**  
The ornamental design for a jug, as shown and described.

**DESCRIPTION**

FIG. 1 is a perspective view of a jug showing my new design;  
FIG. 2 is a front view thereof;  
FIG. 3 is a rear view thereof;  
FIG. 4 is a left side view thereof;  
FIG. 5 is a right side view thereof;  
FIG. 6 is a top view thereof; and,  
FIG. 7 is a bottom view thereof.

**1 Claim, 7 Drawing Sheets**



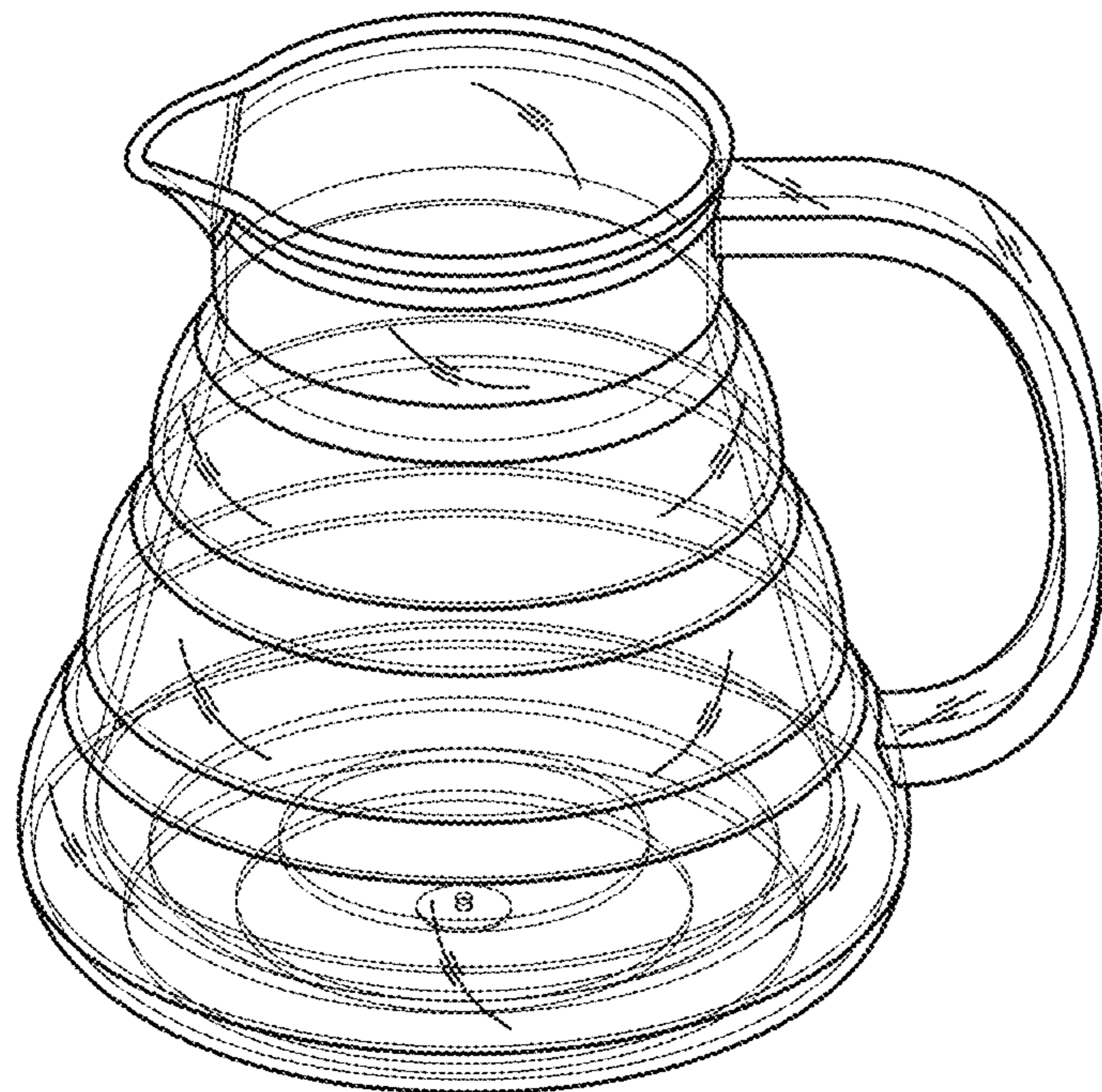


FIG. 1

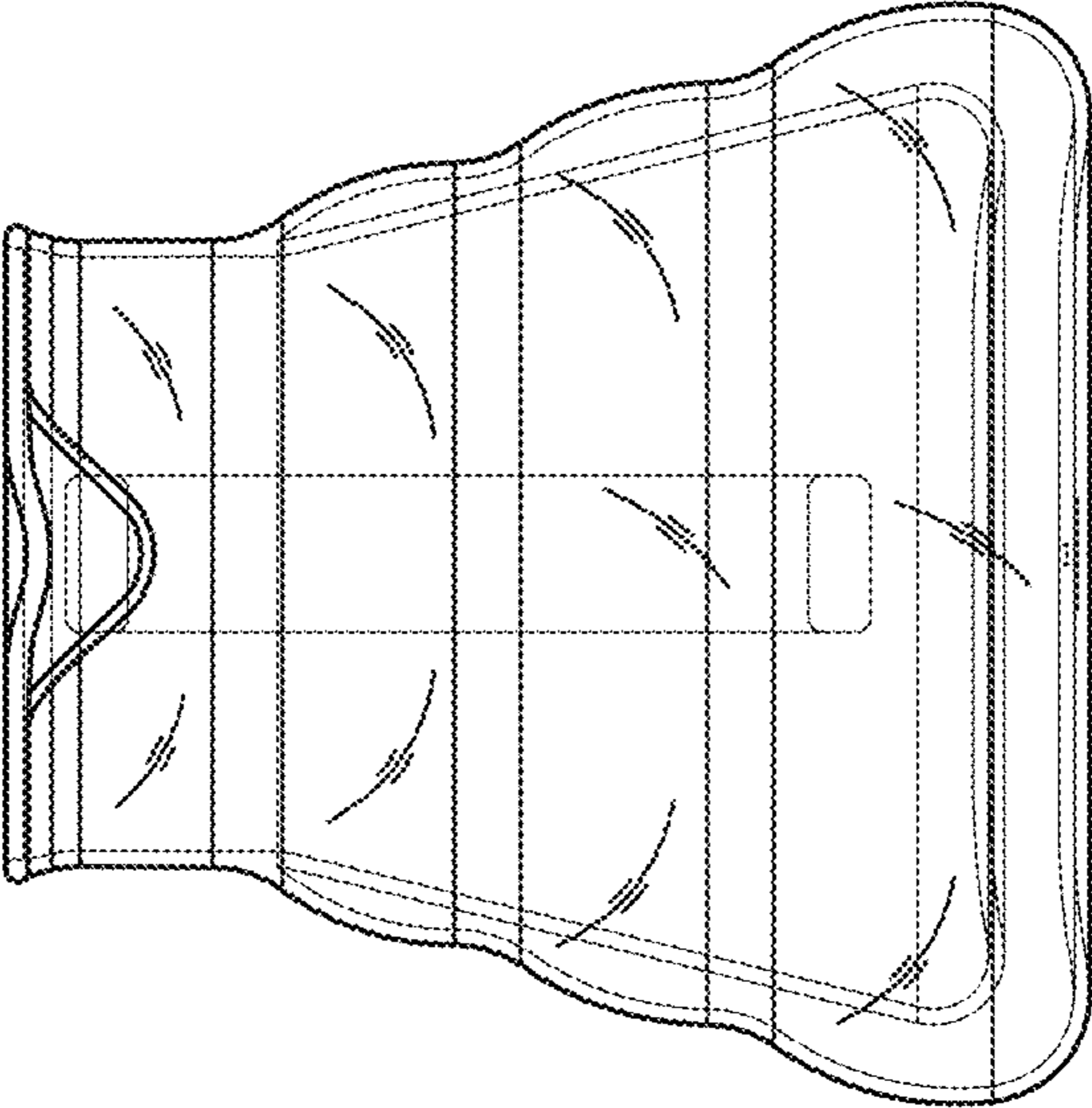


FIG. 2

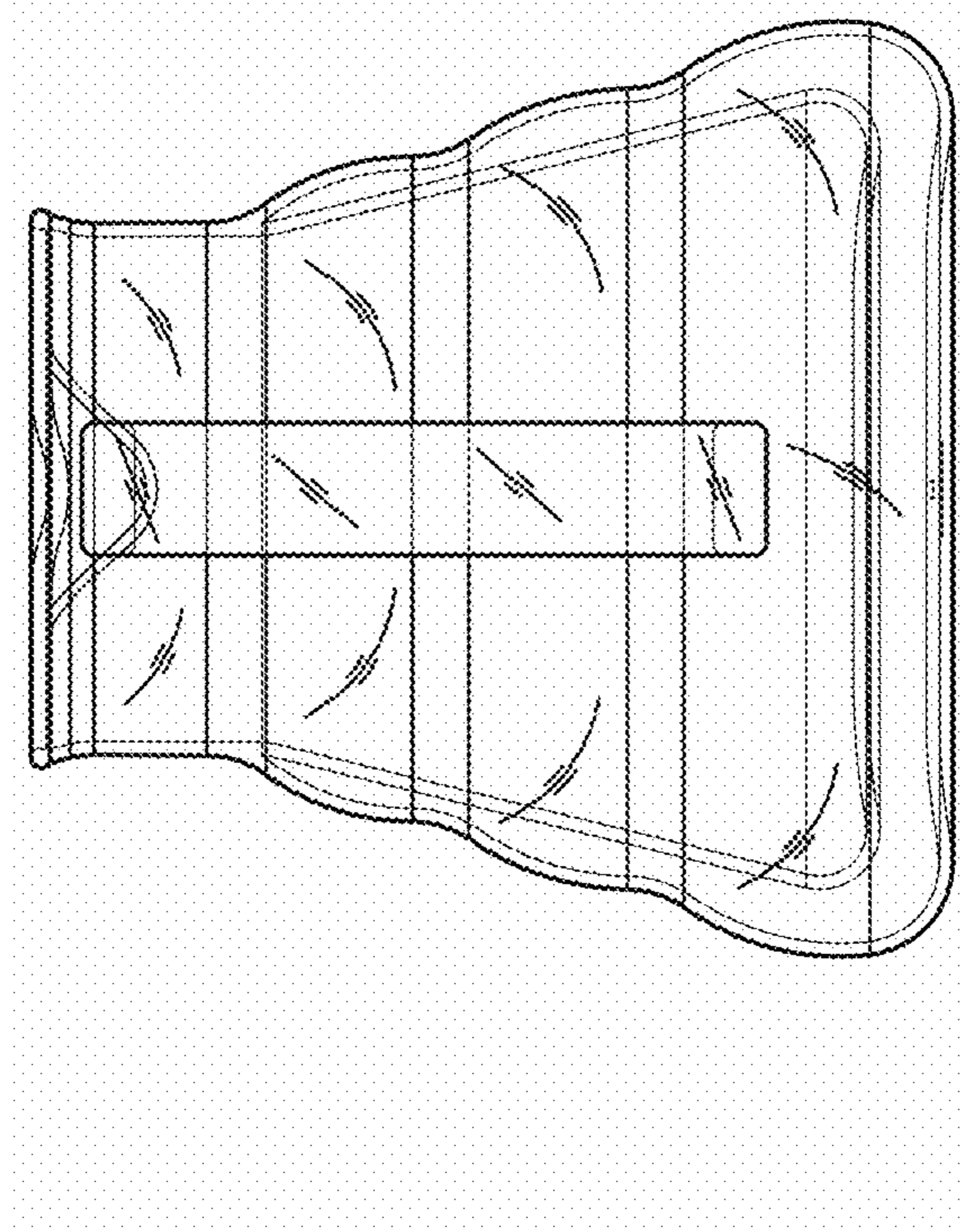


FIG. 3

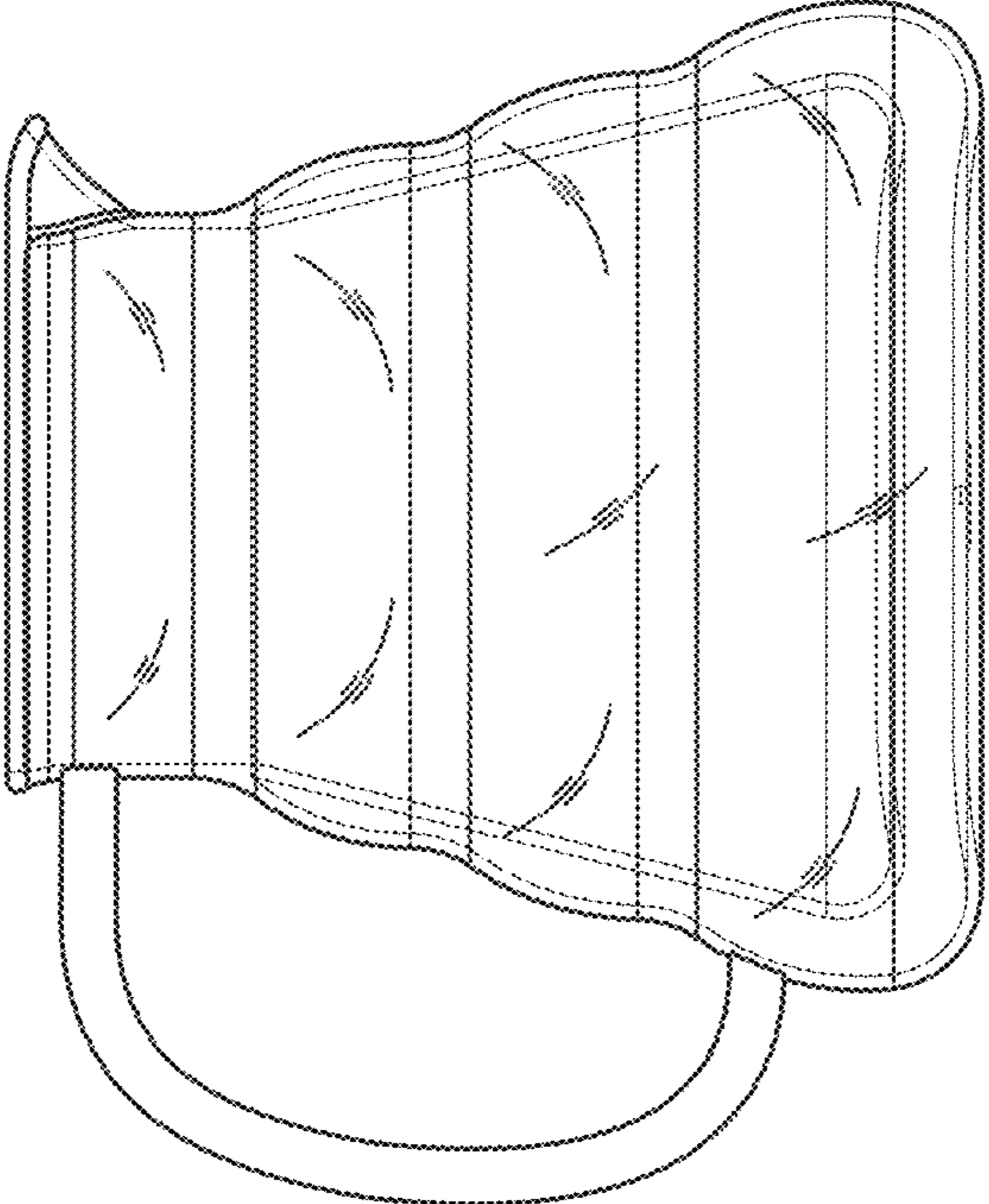


FIG. 4

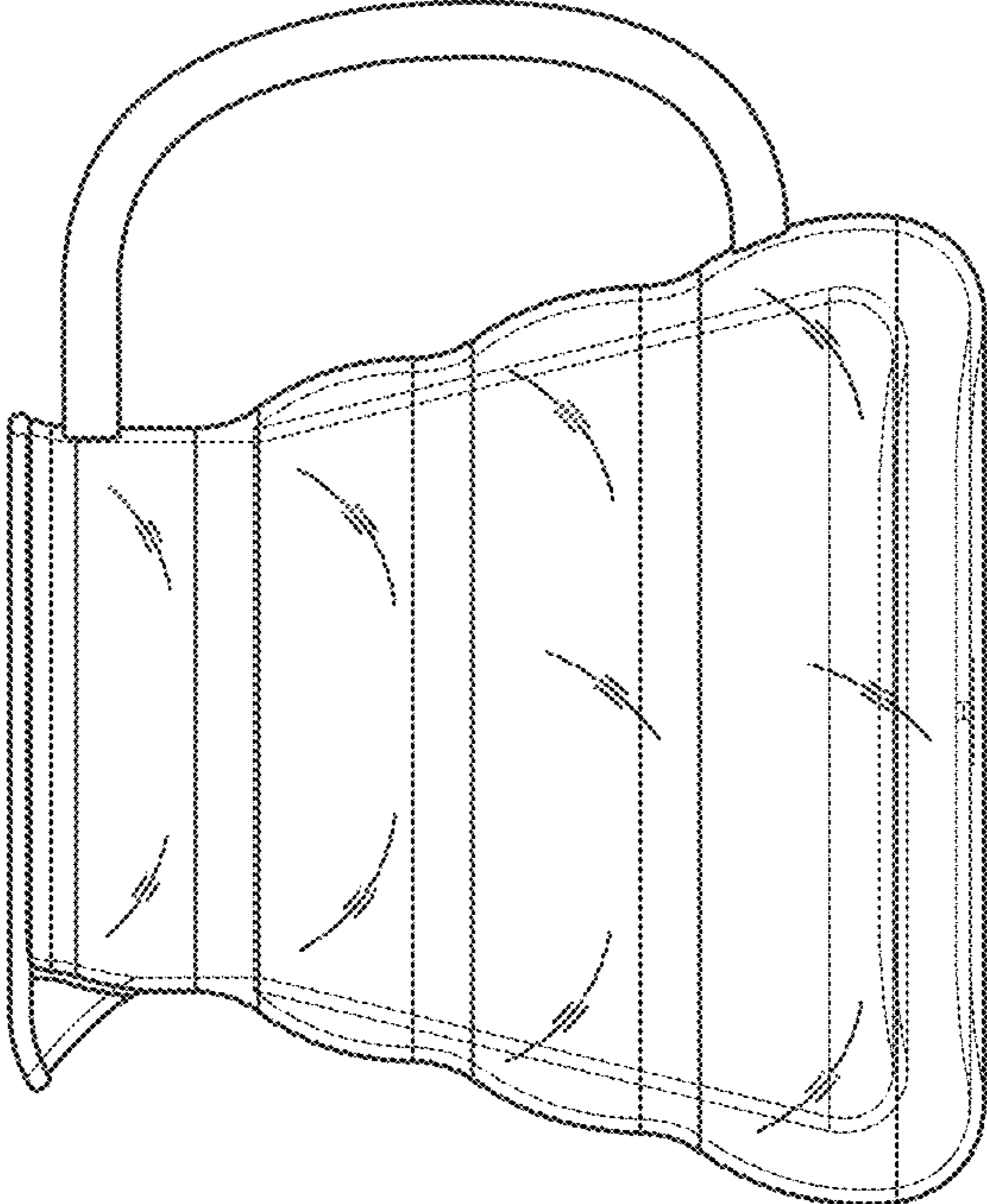


FIG. 5

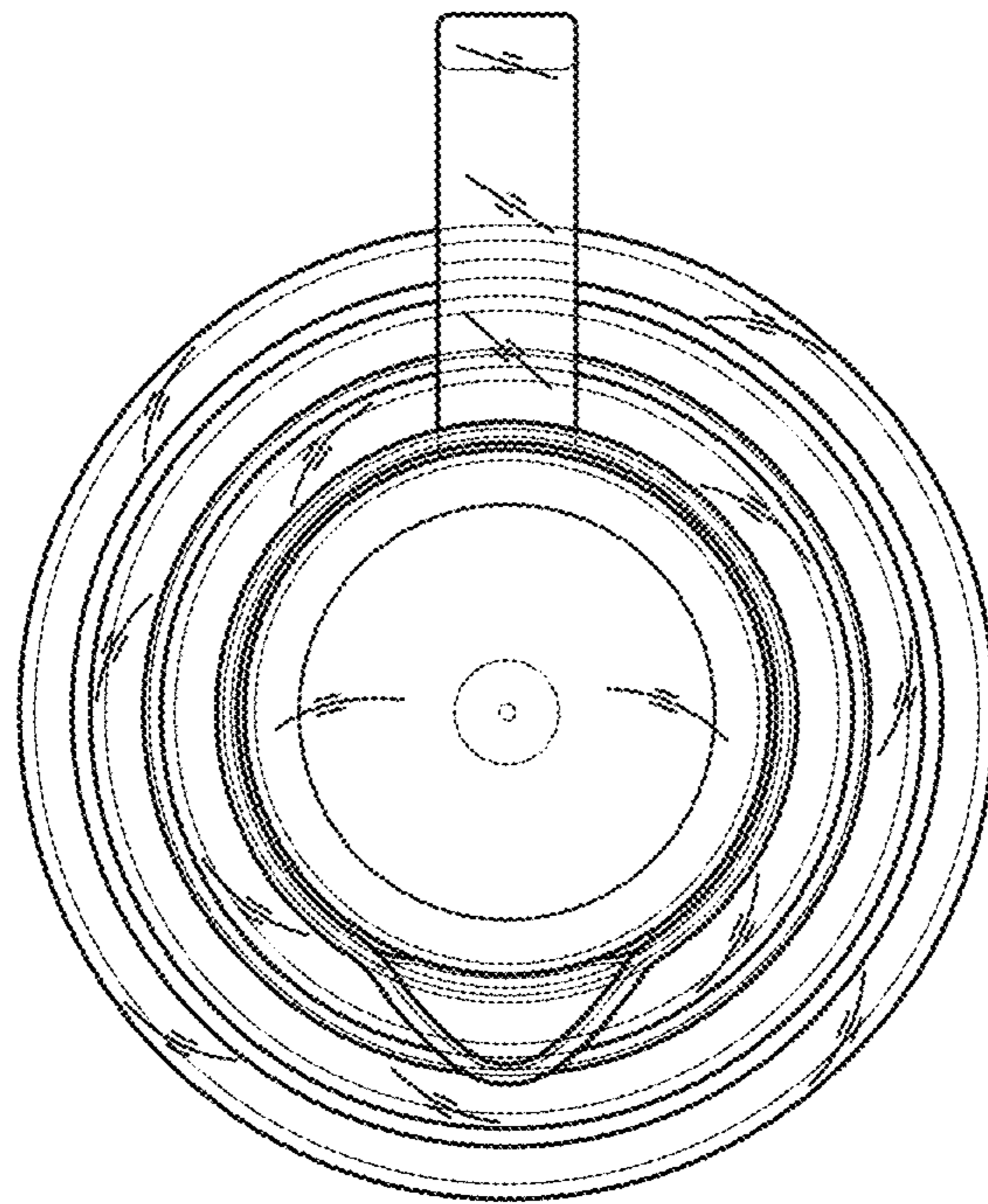


FIG. 6

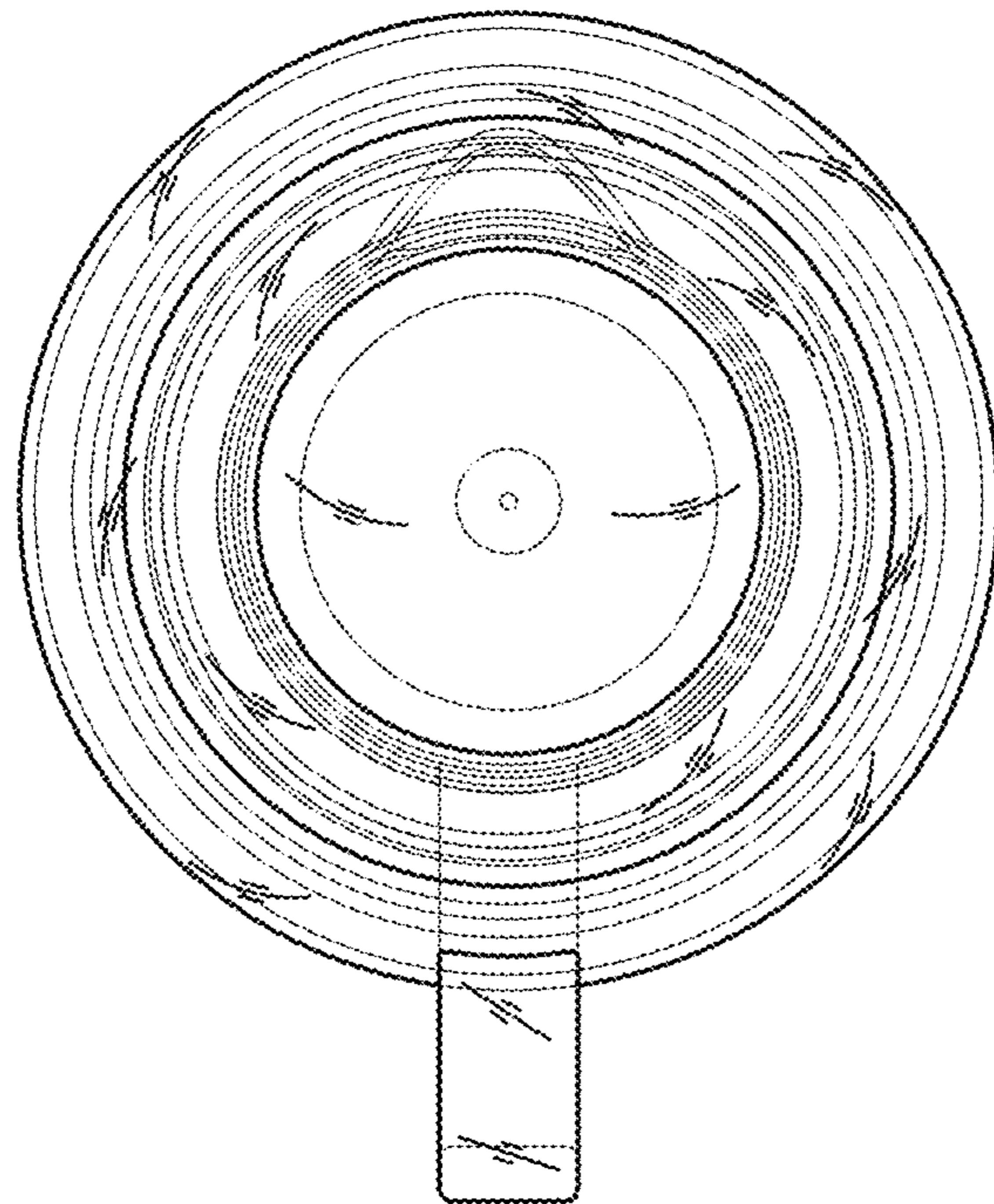


FIG. 7