



US00D876147S

(12) **United States Design Patent** (10) **Patent No.:** **US D876,147 S**
Rubin (45) **Date of Patent:** **** Feb. 25, 2020**

(54) **BEVERAGE DISPENSER**
(71) Applicant: **BHRS GROUP**, Lakewood, NJ (US)
(72) Inventor: **Jonathan Rubin**, Lakewood, NJ (US)
(73) Assignee: **BHRS GROUP**, Lakewood, NJ (US)
(**) Term: **15 Years**
(21) Appl. No.: **29/654,567**
(22) Filed: **Jun. 26, 2018**
(51) **LOC (12) Cl.** **07-01**
(52) **U.S. Cl.**
USPC **D7/308**; D7/311; D7/307; D23/207
(58) **Field of Classification Search**
USPC D7/305-311, 313, 300; D15/82;
222/129.1, 146.6; 99/295; D23/207
CPC B67D 1/0054; B67D 1/36; B67D
2210/0065; B67D 1/0864; B67D 1/0009;
B67D 3/0061; A47J 31/46; A47J 31/4482;
A47J 31/369; A47J 31/407; A47J 31/10;
A47J 31/467; A47J 31/0615; A47J 31/32
See application file for complete search history.

(56) **References Cited**
U.S. PATENT DOCUMENTS
D206,519 S * 12/1966 Wolfe D7/308
D233,271 S * 10/1974 Holcomb D7/308
D250,536 S * 12/1978 Bourke D7/308
D261,390 S * 10/1981 Harvill D7/307
D272,975 S * 3/1984 Miller D7/309
D304,989 S * 12/1989 Fossella D7/308
5,564,601 A * 10/1996 Cleland B67D 1/0054
165/164
D391,971 S * 3/1998 Dorsey D15/79

D395,960 S * 7/1998 Smith D6/360
D486,687 S * 2/2004 Strandell D7/307
D553,416 S * 10/2007 Lin D7/306
D557,970 S * 12/2007 Asbridge D7/307
D649,393 S * 11/2011 Cohlma D7/307
D717,911 S * 11/2014 Moon D23/207
D728,985 S * 5/2015 Brunner F25C 1/147
D751,849 S * 3/2016 Dunham D7/307
D822,154 S * 7/2018 Lee D23/207
D825,243 S * 8/2018 Yoon D7/308
D853,772 S * 7/2019 Park D7/307
2017/0057802 A1 * 3/2017 Lee B67D 1/0085

* cited by examiner

Primary Examiner — Marianne N Pandozzi
(74) *Attorney, Agent, or Firm* — Epstein Drangel LLP;
Robert L. Epstein

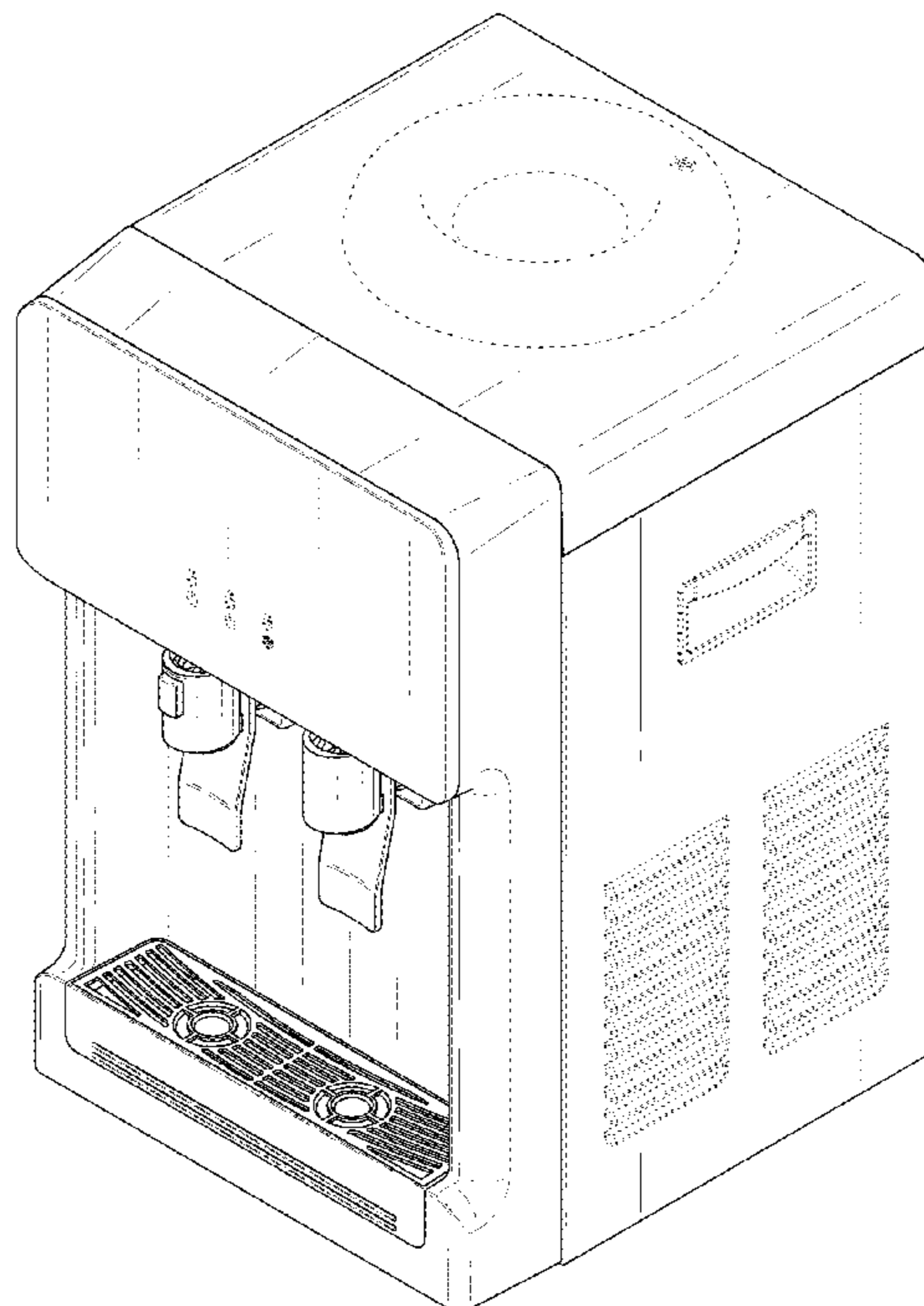
(57) **CLAIM**

The ornamental design for a beverage dispenser, substantially as shown and described.

DESCRIPTION

FIG. 1 is a top front perspective view of a beverage dispenser showing my new design;
FIG. 2 is a bottom rear perspective view thereof;
FIG. 3 is a front elevation view thereof;
FIG. 4 is a rear elevation view thereof;
FIG. 5 is a left side elevation view thereof;
FIG. 6 is a right side elevation view thereof;
FIG. 7 is a top plan view thereof; and,
FIG. 8 is a bottom plan view thereof.
The broken lines in the figures indicate parts of the beverage dispenser which are not part of the claimed design.

1 Claim, 8 Drawing Sheets



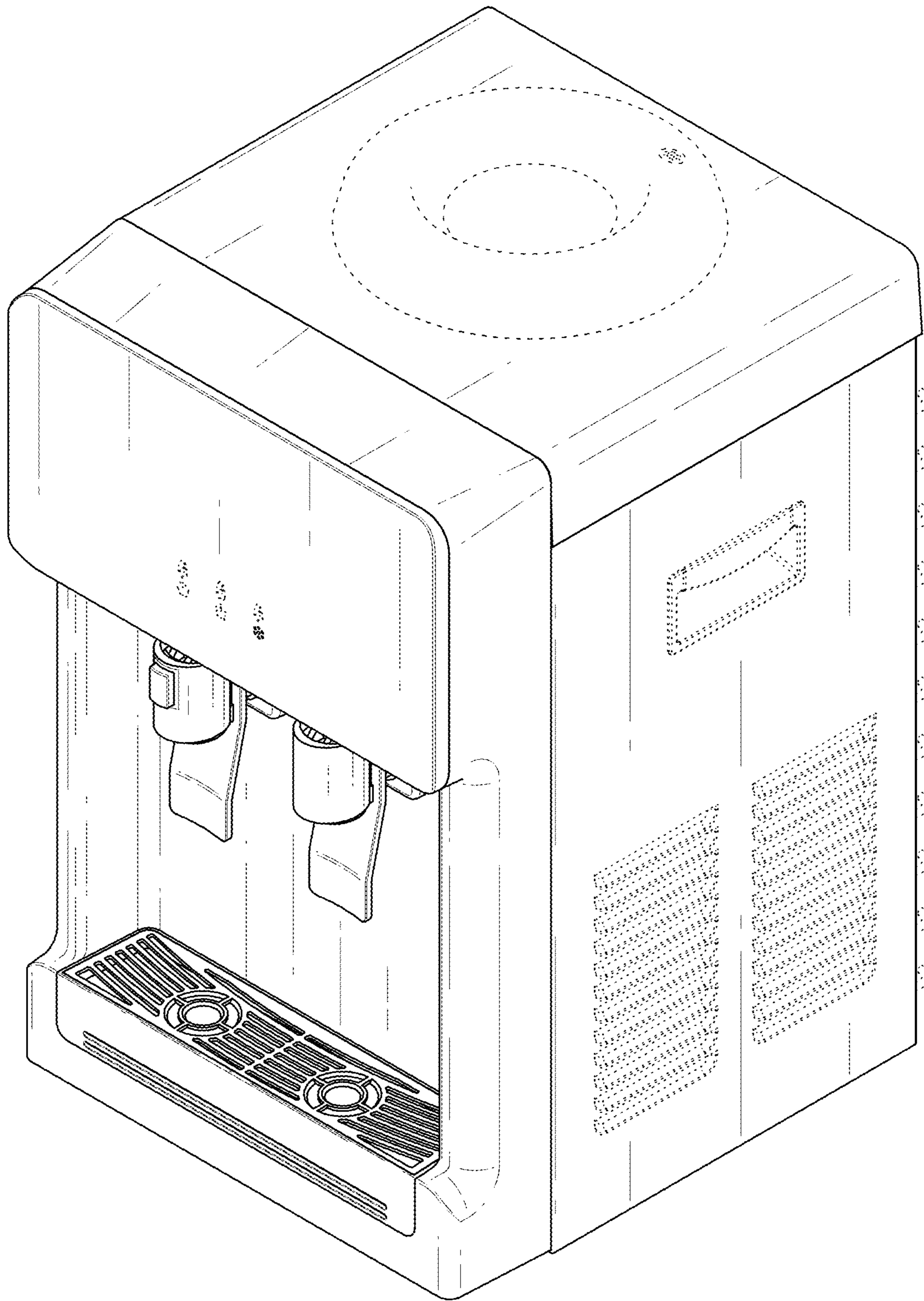


FIG. 1

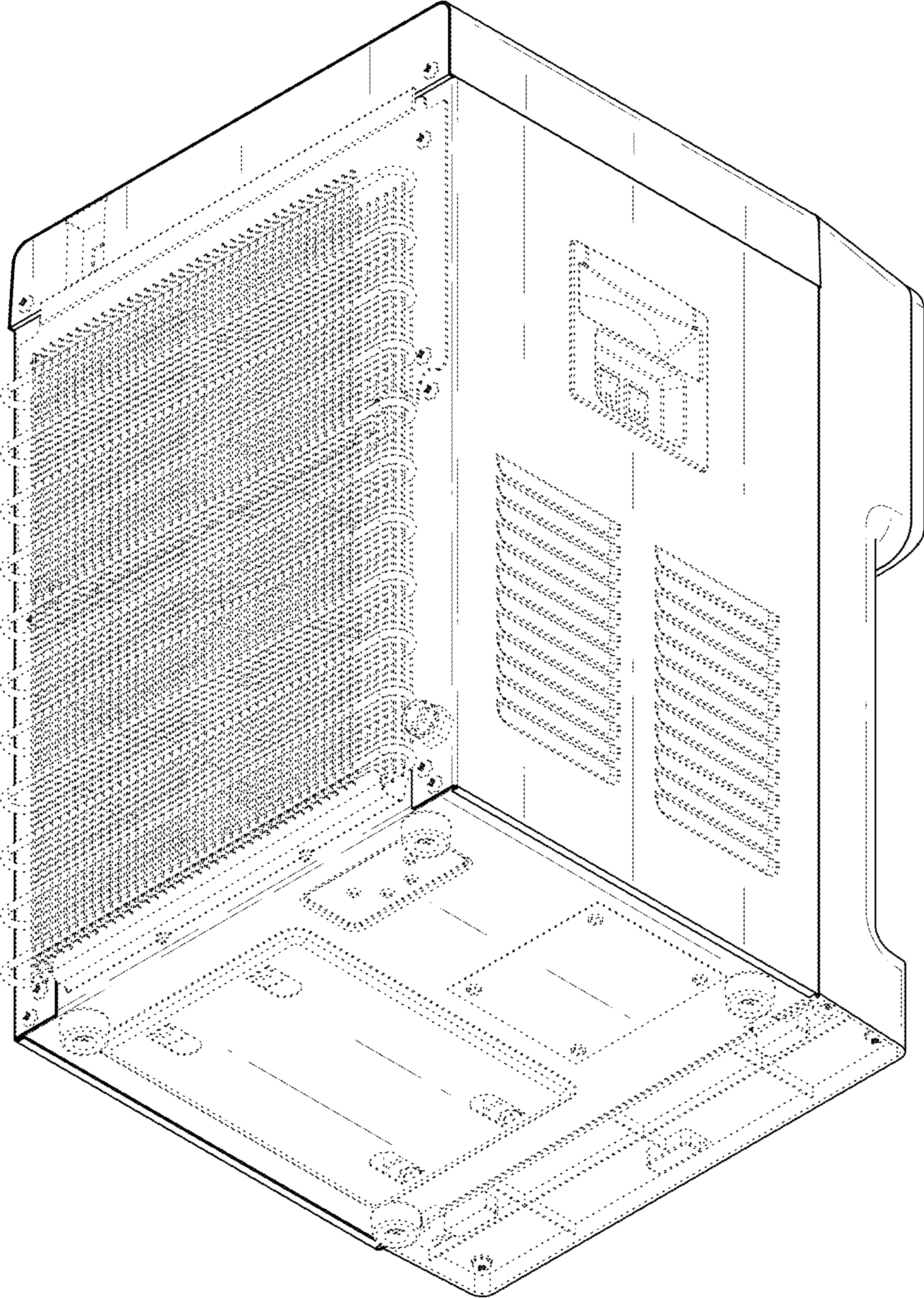


FIG. 2

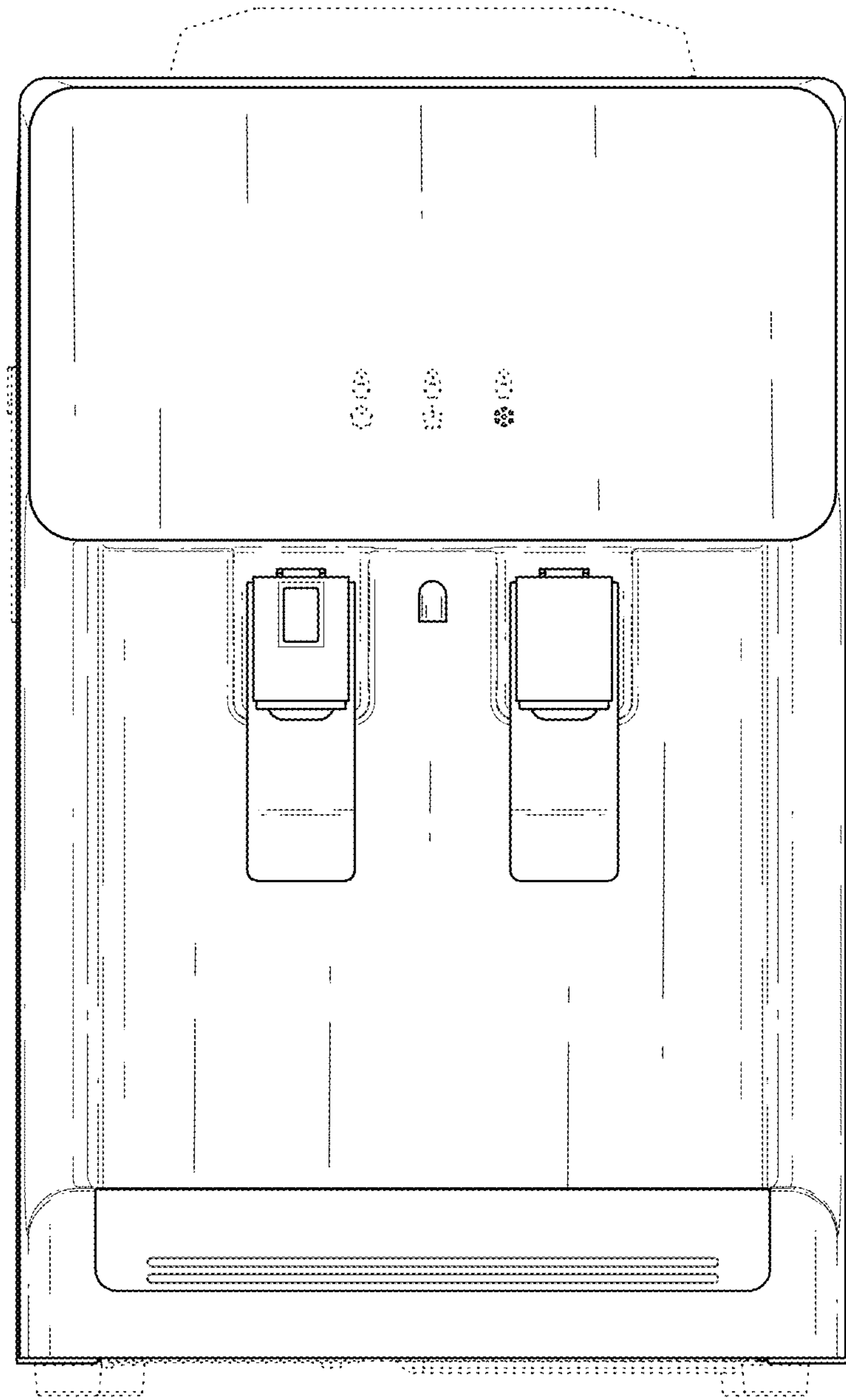


FIG. 3

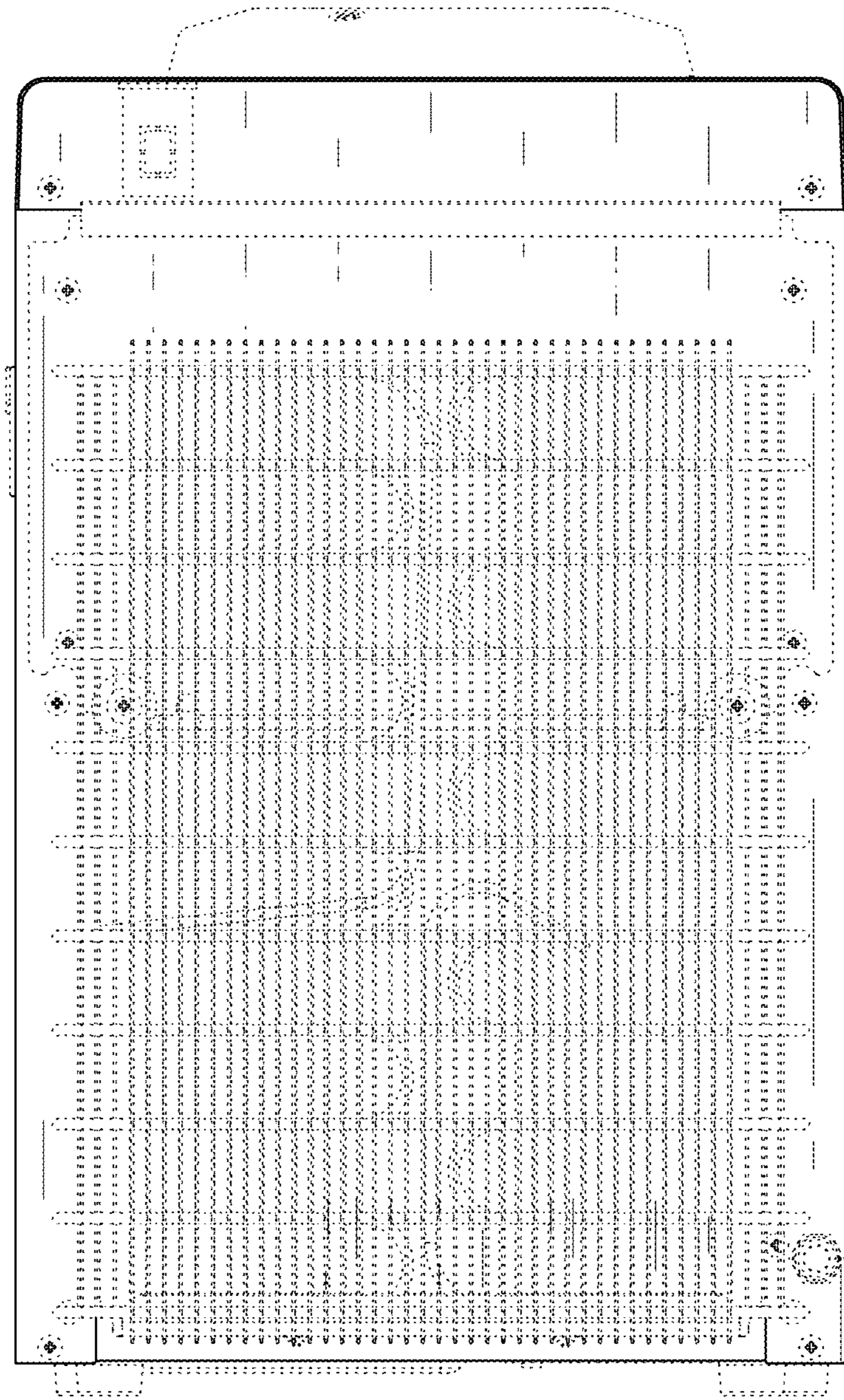


FIG. 4

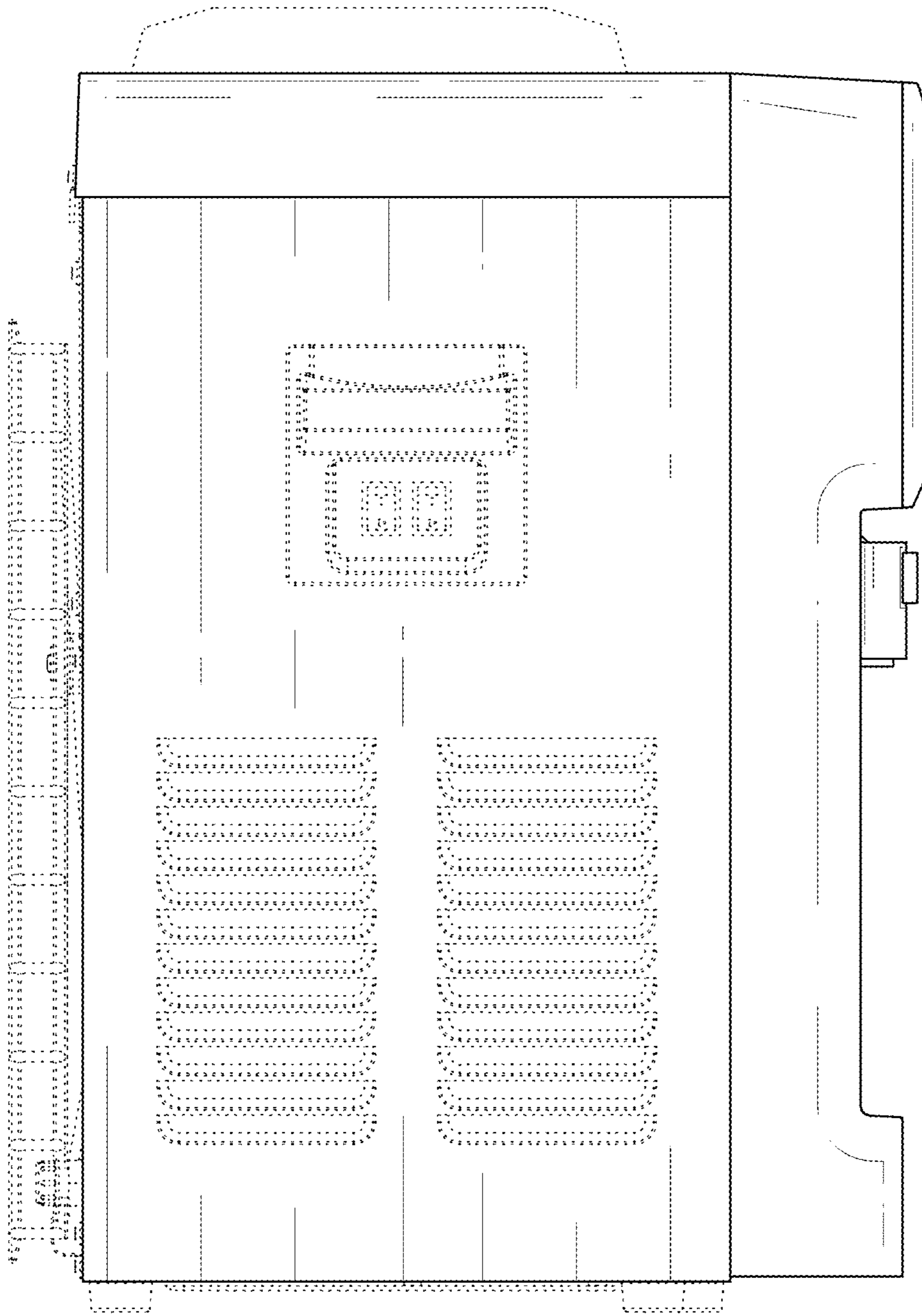


FIG. 5

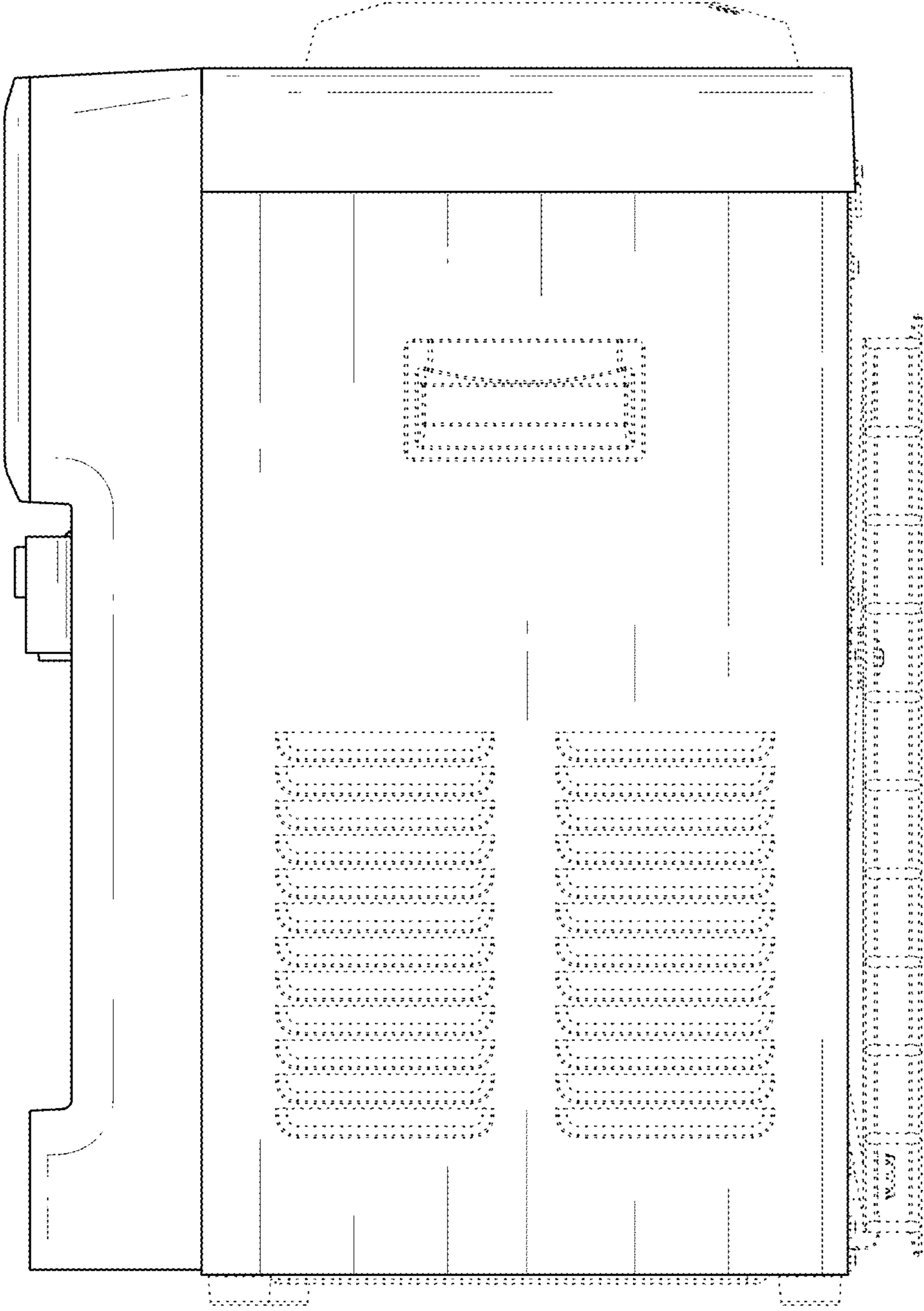


FIG. 6

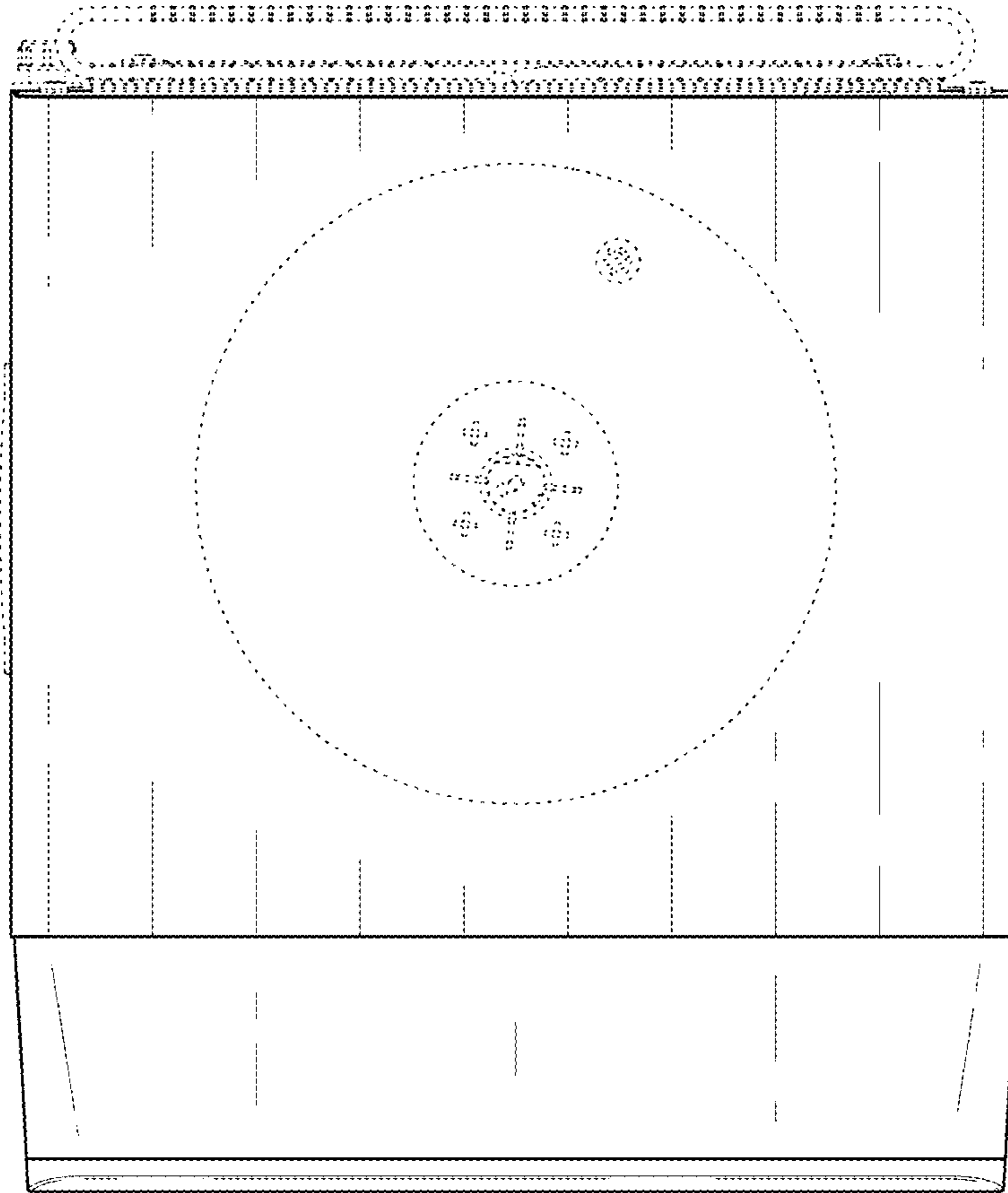


FIG. 7

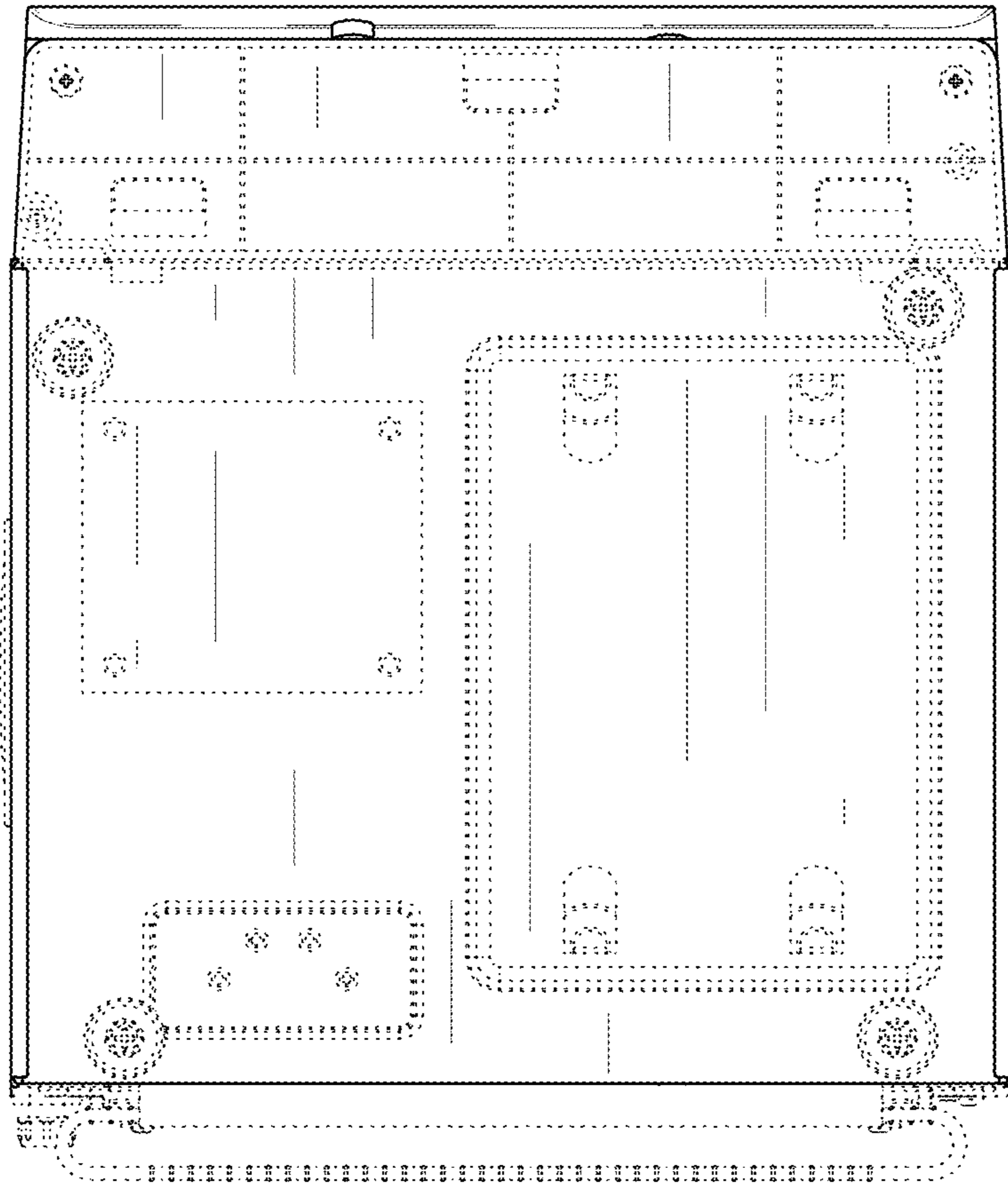


FIG. 8