



US00D876142S

(12) **United States Design Patent**
Cassaday

(10) **Patent No.:** **US D876,142 S**
(45) **Date of Patent:** **** Feb. 25, 2020**

(54) **CHAIR**
(71) Applicant: **Ergo-Industrial Seating Systems Inc.**,
Mississauga (CA)
(72) Inventor: **Terry Cassaday**, Mississauga (CA)
(73) Assignee: **Ergo-Industrial Seating Systems Inc.**,
Mississauga (CA)

8,573,697 B1 * 11/2013 Su A47C 7/462
297/284.7
D779,251 S * 2/2017 Beyer D6/716.4
D784,749 S * 4/2017 Welsh D6/716.4
D804,881 S * 12/2017 Guelfo D6/716.4
D845,050 S * 4/2019 Chadwick D6/716.4
D851,973 S * 6/2019 Cassaday D6/716

(**) Term: **15 Years**

(21) Appl. No.: **29/686,024**

(22) Filed: **Apr. 2, 2019**

Related U.S. Application Data

(62) Division of application No. 29/590,851, filed on Jan. 13, 2017, now Pat. No. Des. 851,973.

(51) **LOC (12) Cl.** **06-01**

(52) **U.S. Cl.**
USPC **D6/716.4**

(58) **Field of Classification Search**

USPC D6/334-336, 364, 365, 366, 374, 379,
D6/380, 716, 716.1, 716.2, 716.4

CPC A47C 7/002; A47C 7/004; A47C 7/02;
A47C 7/282; A47C 7/285; A47C 7/40;
A47C 7/44; A47C 7/46; A47C 7/462;
B60N 2/66

See application file for complete search history.

(56) **References Cited**

U.S. PATENT DOCUMENTS

D557,915 S * 12/2007 Ong D6/366
8,308,240 B1 * 11/2012 Chou A47C 7/462
297/284.4

FOREIGN PATENT DOCUMENTS

CA 2319884 12/1993

* cited by examiner

Primary Examiner — Mimoso De

(74) *Attorney, Agent, or Firm* — Thomas E. Ciesco;
DeLio Peterson & Curcio LLC

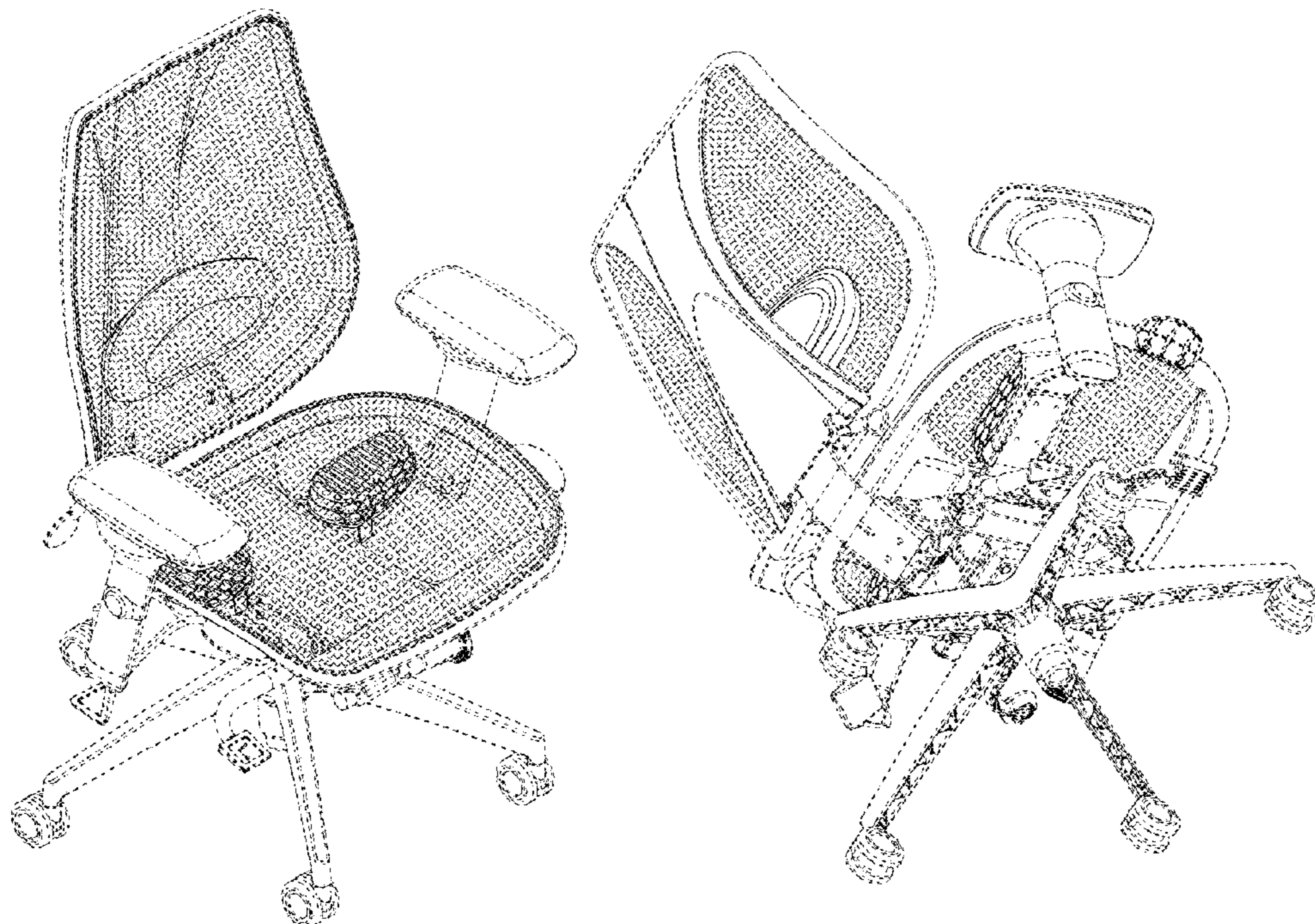
(57) **CLAIM**

The ornamental design for a “chair”, as shown and described.

DESCRIPTION

FIG. 1 is a front, right, top perspective view of the chair;
FIG. 2 is a rear, bottom, right view of the chair;
FIG. 3 is a front view of the chair;
FIG. 4 is a rear view of the chair;
FIG. 5 is a right side view of the chair;
FIG. 6 is a left side view of the chair;
FIG. 7 is a top view of the chair; and,
FIG. 8 is a bottom view of the chair.
The portions of the article shown in stippled lines do not form part of the design.

1 Claim, 8 Drawing Sheets



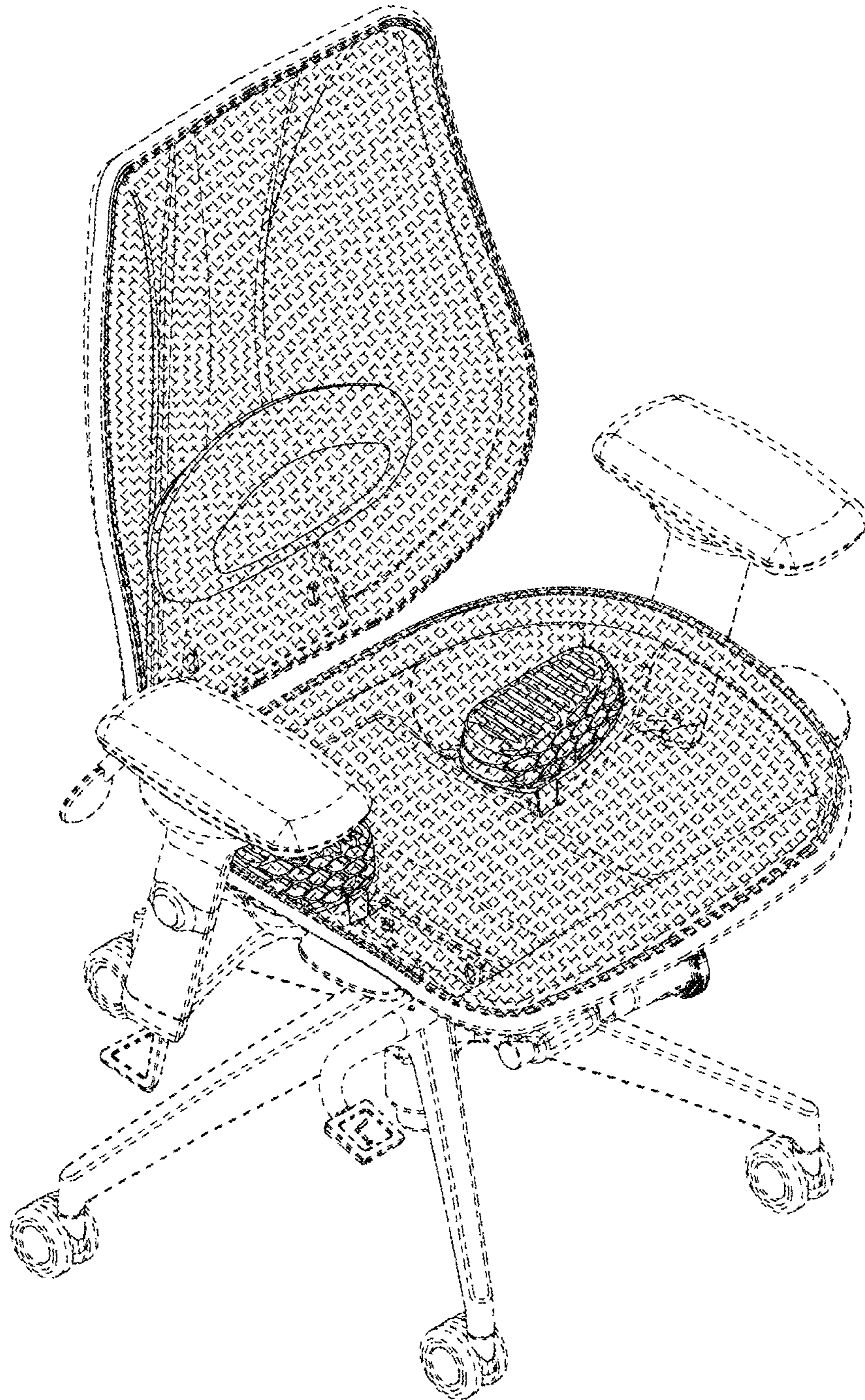


FIG.1

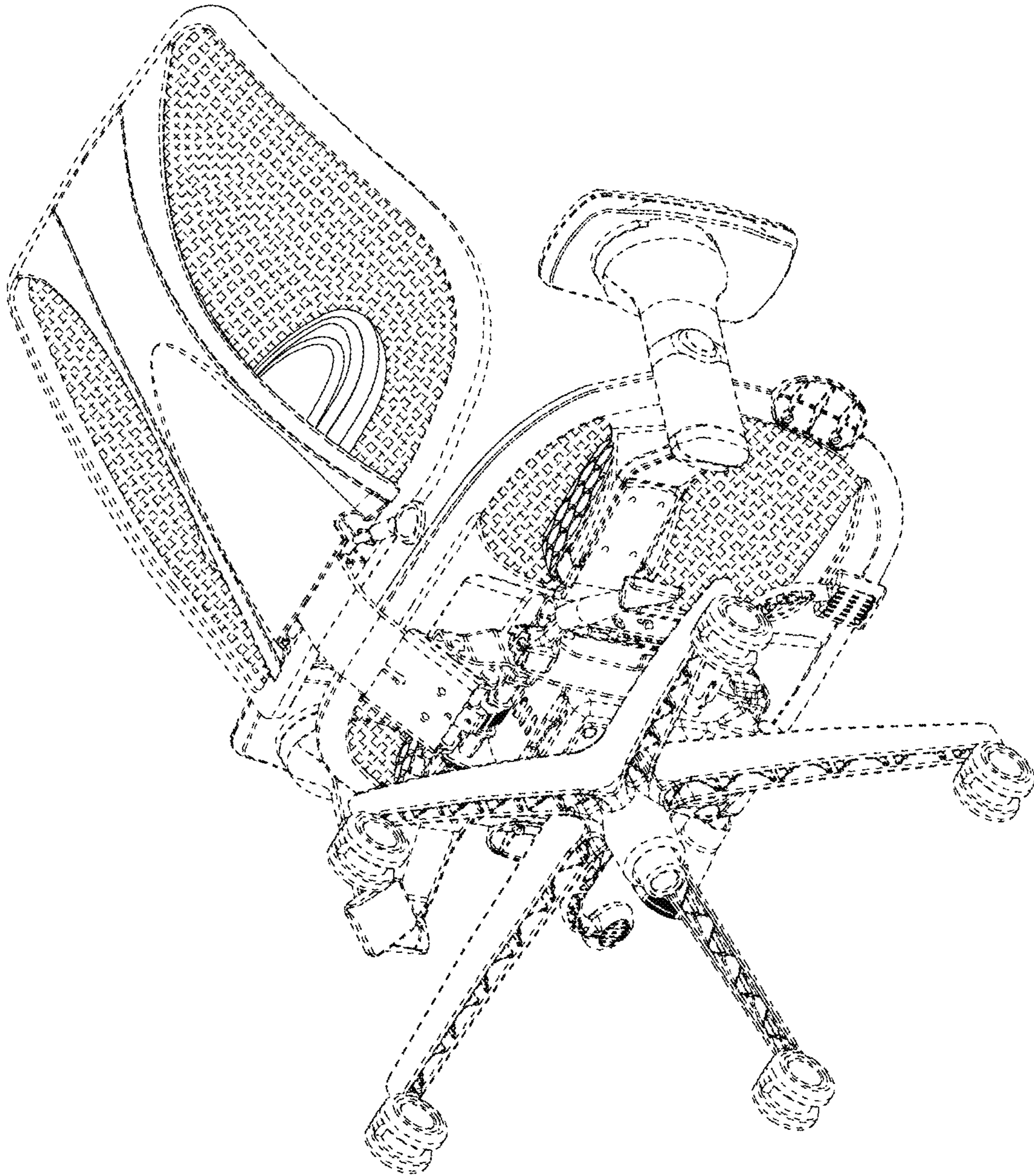


FIG. 2

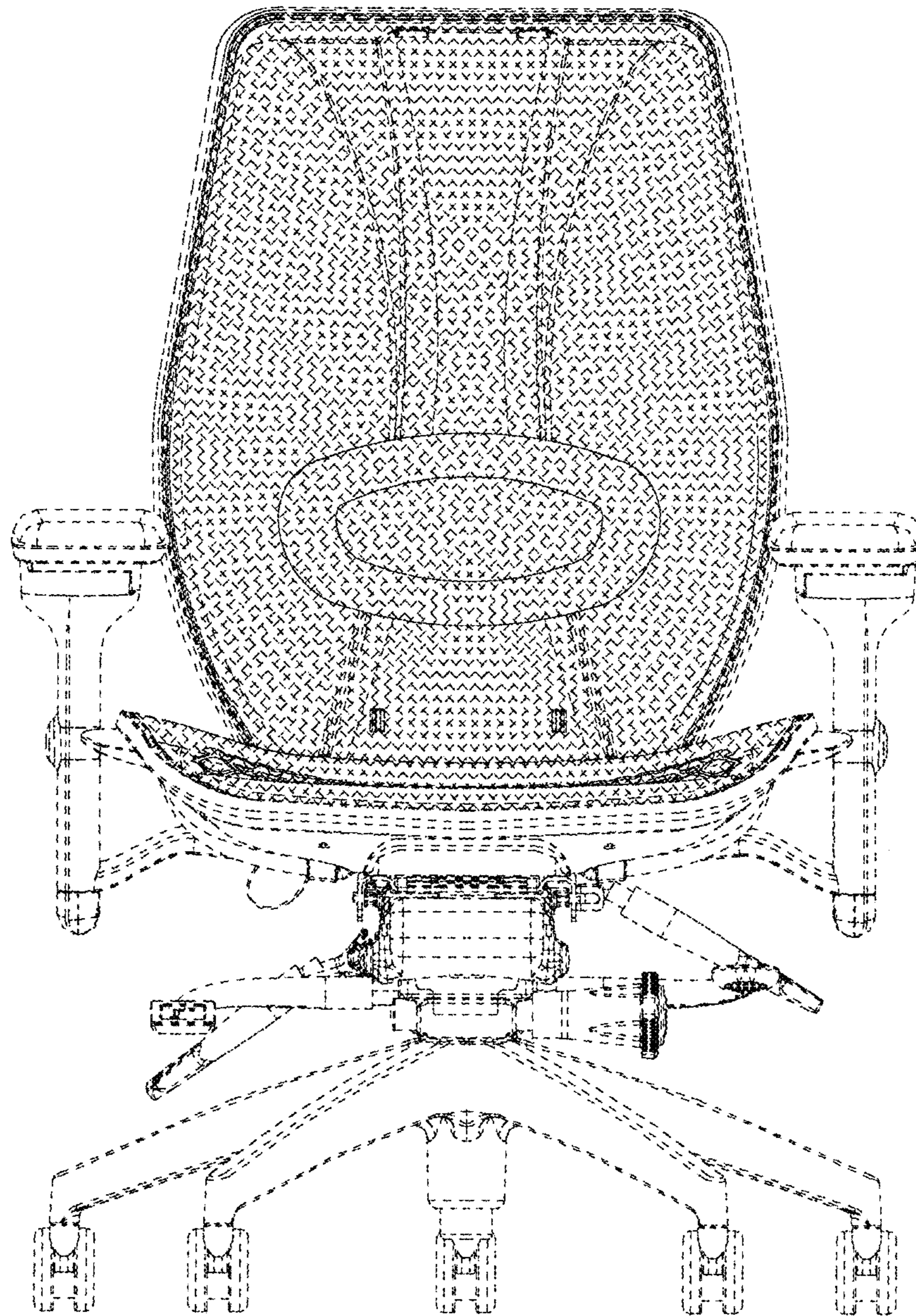


FIG. 3

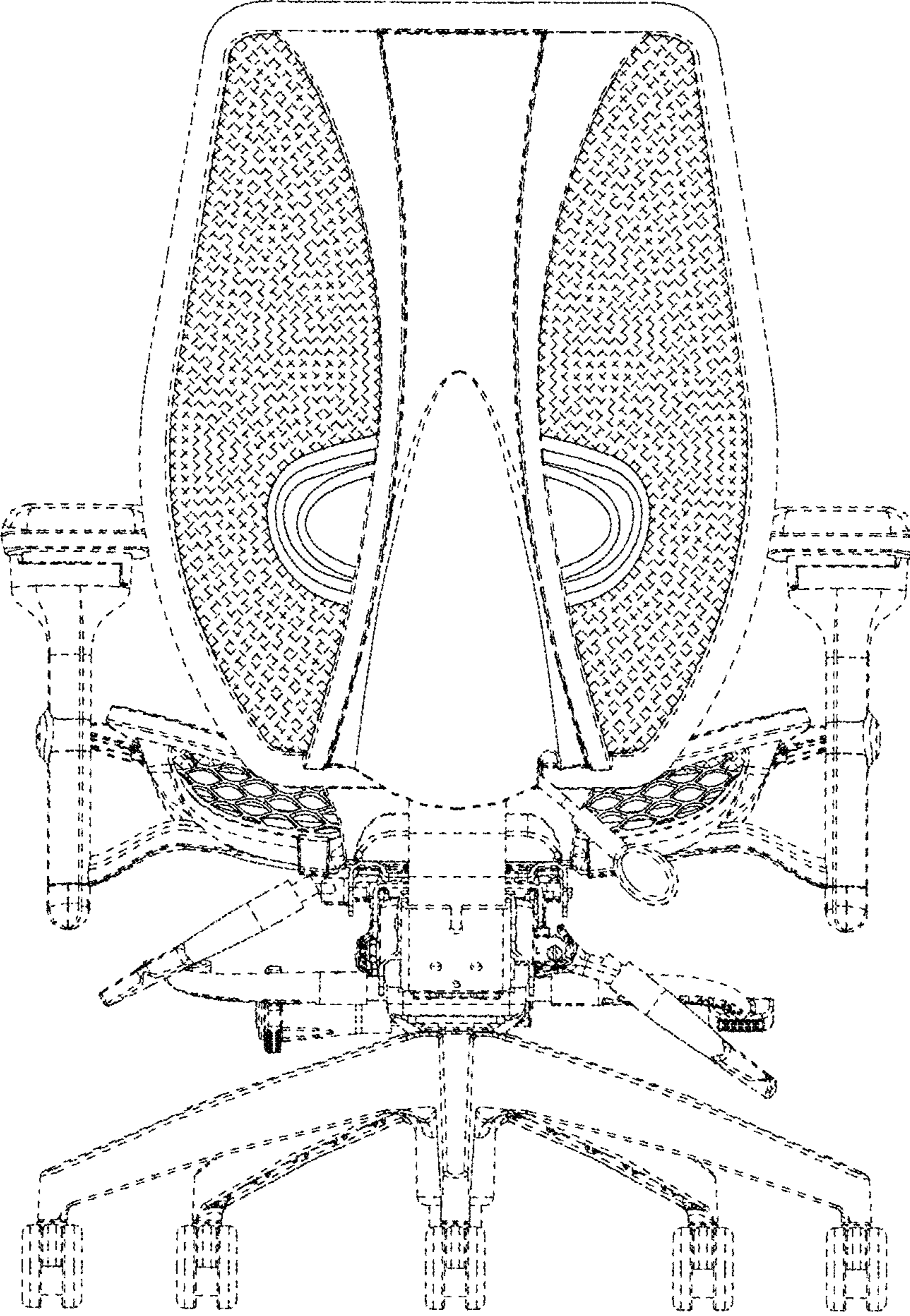


FIG. 4

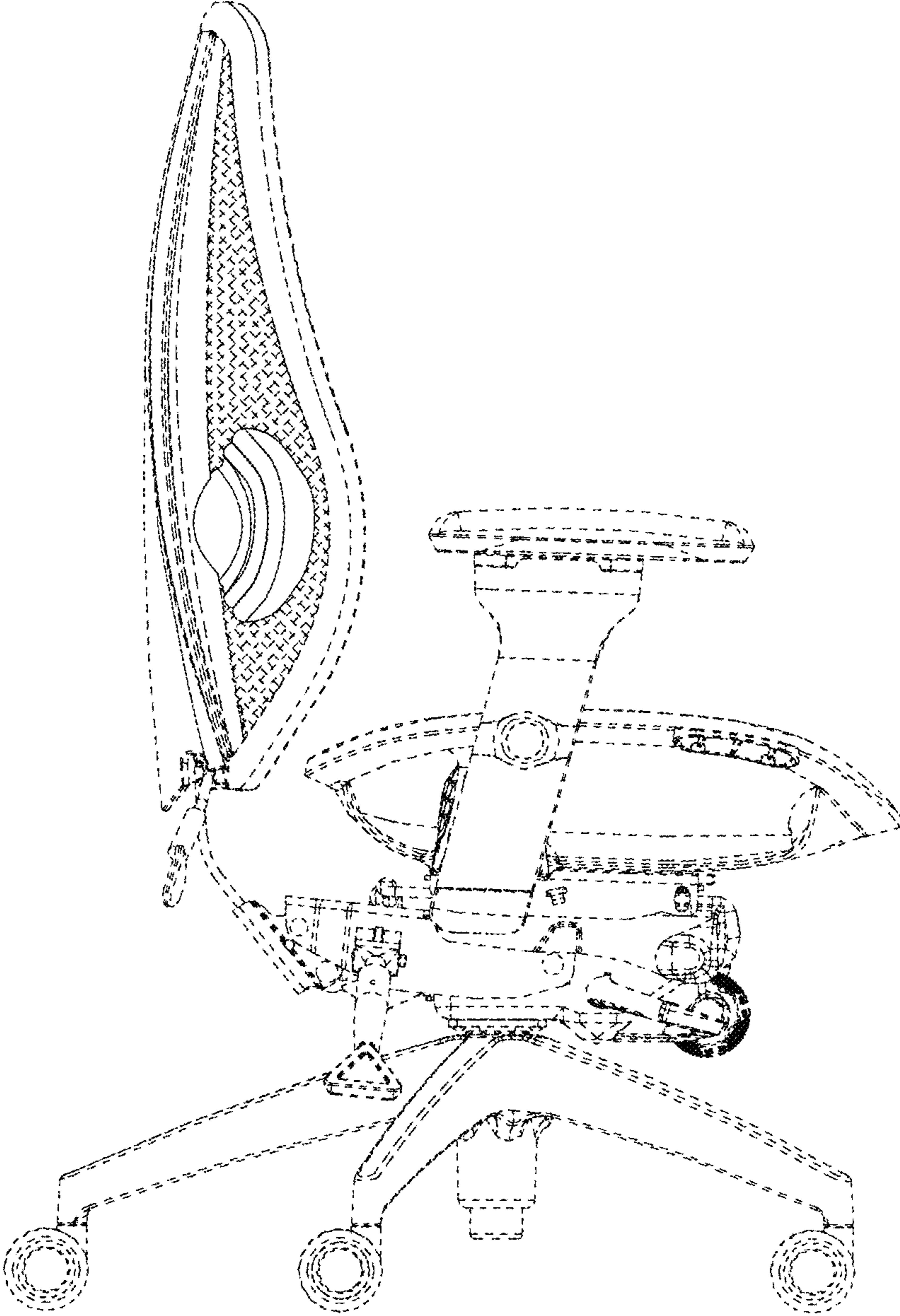


FIG. 5

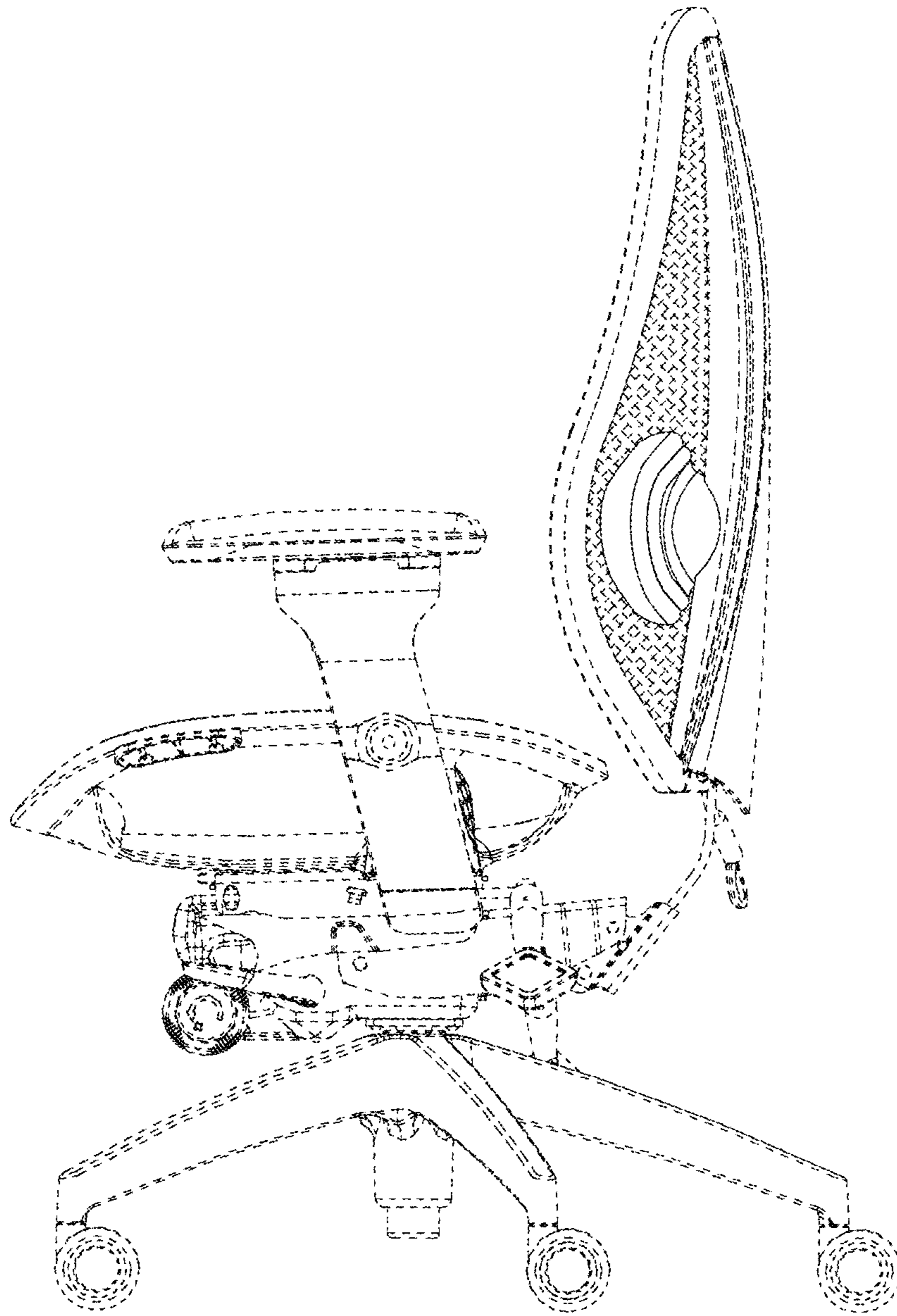


FIG. 6

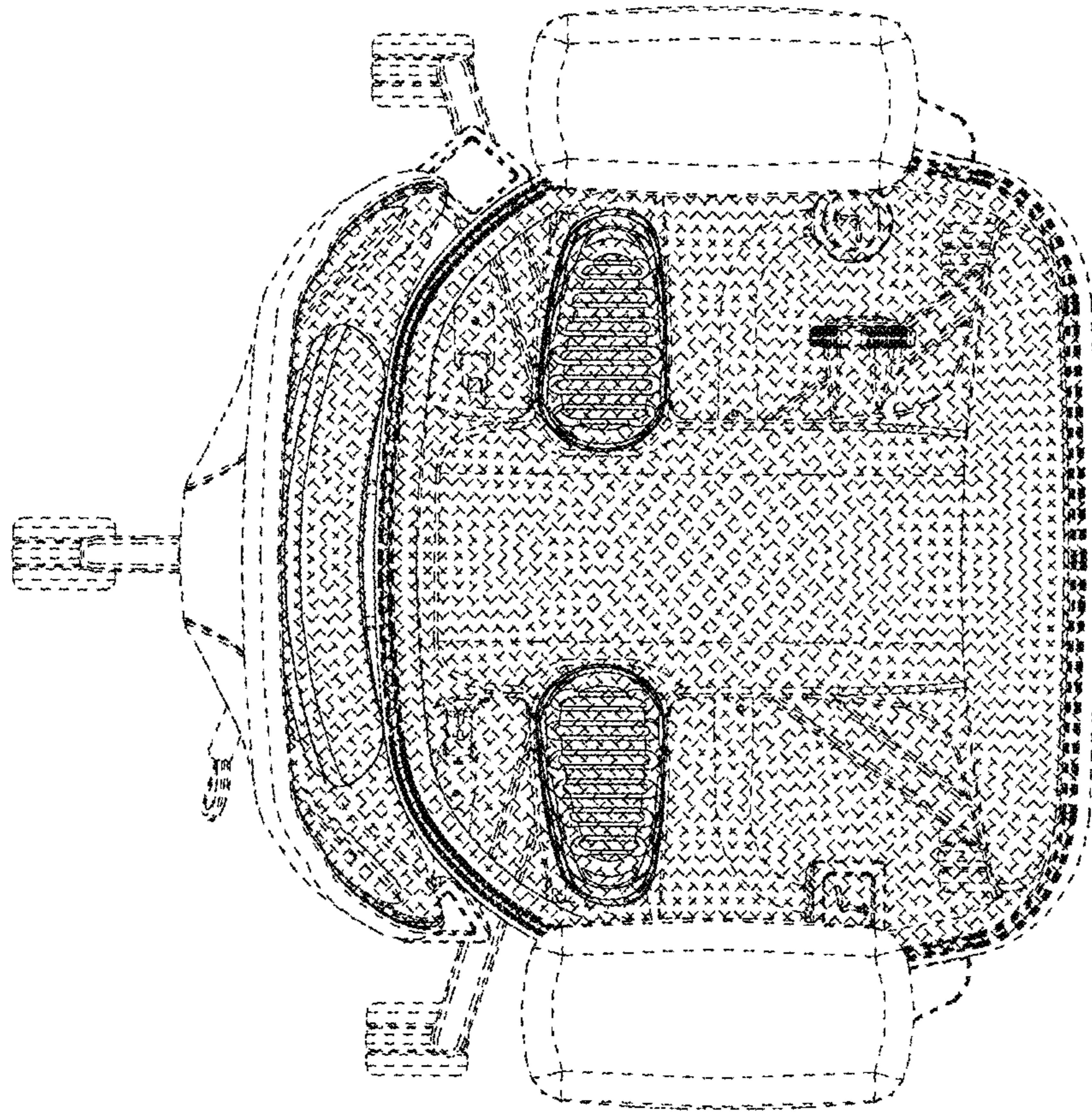


FIG. 7

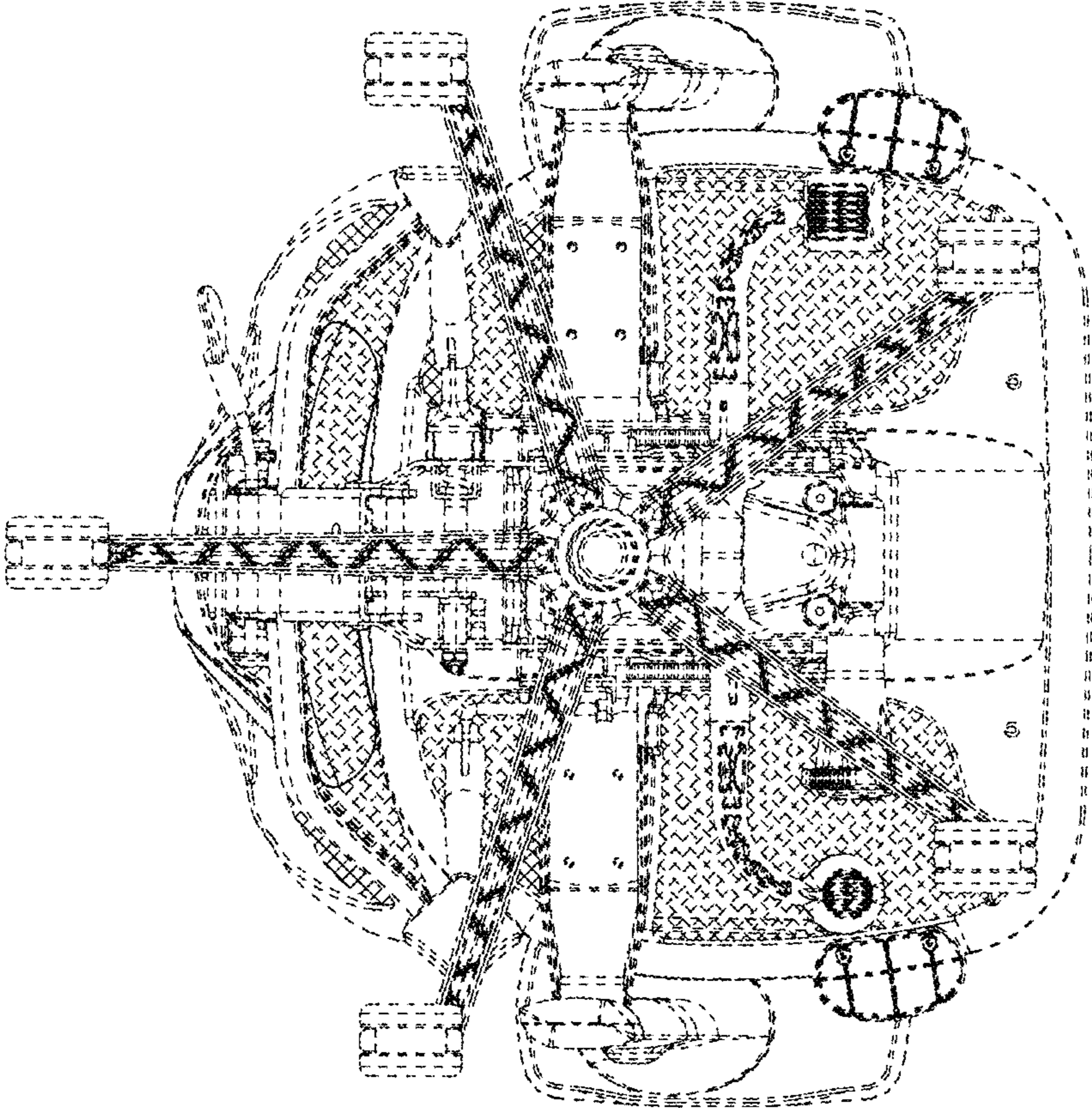


FIG. 8