



US00D876139S

(12) **United States Design Patent**  
**Peterson et al.**

(10) **Patent No.:** **US D876,139 S**  
(45) **Date of Patent:** **\*\* Feb. 25, 2020**

(54) **SEATING ARRANGEMENT**

(71) Applicant: **Steelcase Inc.**, Grand Rapids, MI (US)

(72) Inventors: **Gordon J. Peterson**, Rockford, MI (US); **Robert J. Battey**, Middleville, MI (US); **Gary Lee Karsten**, Wyoming, MI (US); **Mark Vander Veen**, Hudsonville, MI (US); **Nickolaus William Charles Deevers**, Holland, MI (US); **Peter A. Boeckel**, Hong Kong (HK)

(73) Assignee: **Steelcase Inc.**, Grand Rapids, MI (US)

(\*\*) Term: **15 Years**

(21) Appl. No.: **29/680,710**

(22) Filed: **Feb. 19, 2019**

**Related U.S. Application Data**

(63) Continuation of application No. 29/605,423, filed on May 25, 2017, now Pat. No. Des. 846,294.

(51) **LOC (12) Cl.** ..... **06-01**

(52) **U.S. Cl.**

USPC ..... **D6/716**; D6/366

(58) **Field of Classification Search**

USPC ..... D6/334-336, 364, 365, 366, 374, 379, D6/380, 716, 716.1, 716.2, 716.4

CPC .... A47C 7/38; A47C 7/40; A47C 7/18; A47C 7/004; A47C 4/028; A47C 7/46; A47C 7/54; B60N 2/66

See application file for complete search history.

(56) **References Cited**

**U.S. PATENT DOCUMENTS**

590,045 A 9/1897 Mauchain  
D276,575 S 12/1984 Helmholdt

D276,576 S 12/1984 Helmholdt  
4,889,384 A 12/1989 Sulzer  
D345,867 S 4/1994 Narita  
5,447,357 A 9/1995 Dauphin  
D408,161 S 4/1999 Caruso  
5,975,634 A 11/1999 Knoblock et al.  
6,079,785 A 6/2000 Peterson et al.  
D446,954 S 8/2001 Sottsass  
D449,172 S 10/2001 Van De Riet et al.  
D449,938 S 11/2001 Vanderiet et al.  
6,361,110 B2 3/2002 Roslund, Jr. et al.  
D455,571 S 4/2002 Van De Riet et al.  
D456,160 S 4/2002 Van De Riet et al.  
D456,164 S 4/2002 Vanderiet et al.

(Continued)

**FOREIGN PATENT DOCUMENTS**

JP 2009106421 A 5/2009  
JP 2011136039 A 7/2011

(Continued)

*Primary Examiner* — Mimosa De

(74) *Attorney, Agent, or Firm* — Price Heneveld LLP

(57) **CLAIM**

The ornamental design for seating arrangement, as shown.

**DESCRIPTION**

FIG. 1 is a perspective view of a seating arrangement embodying the present invention;

FIG. 2 is a front elevational view of the seating arrangement;

FIG. 3 is a first side elevational view of the seating arrangement;

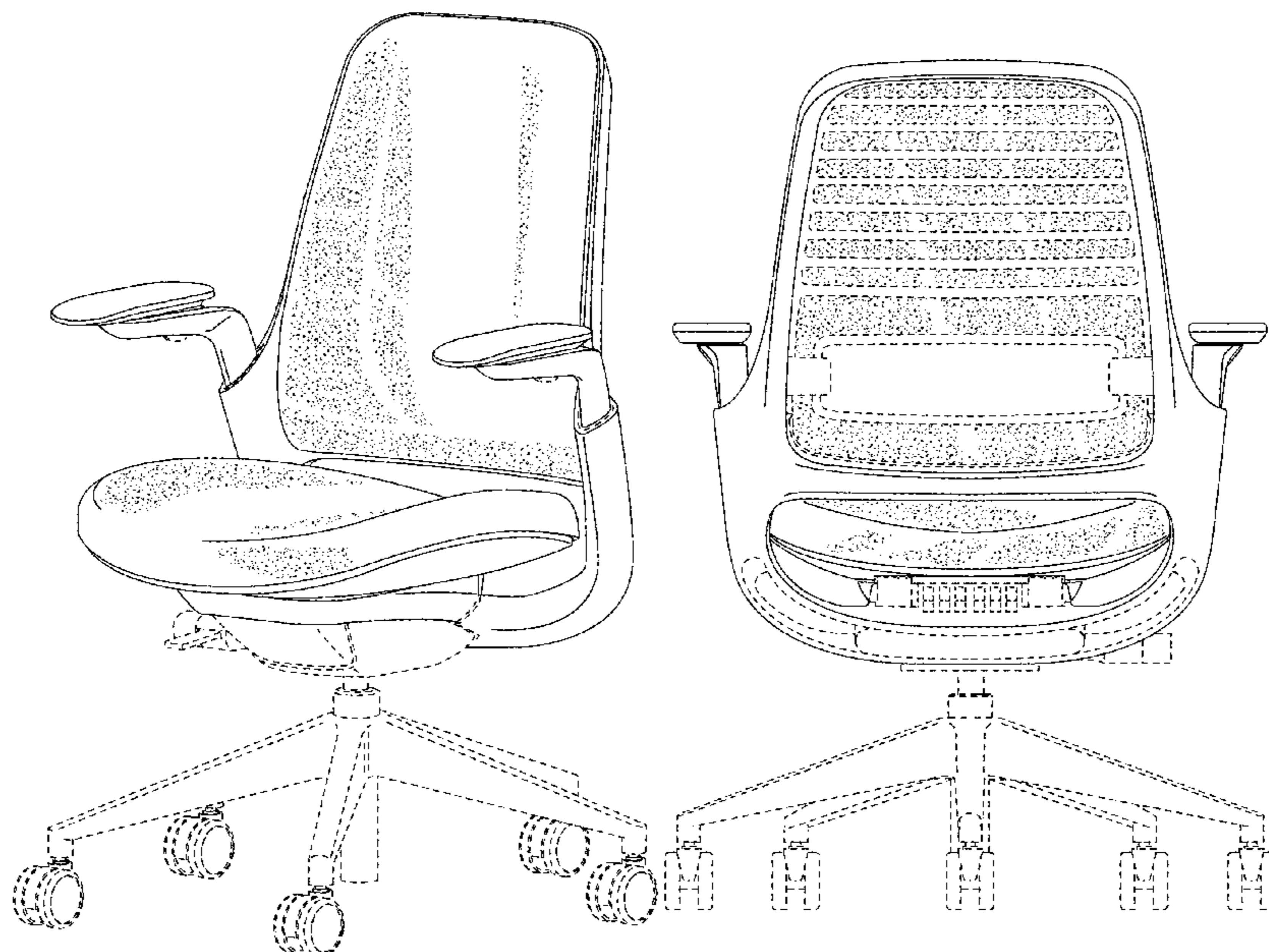
FIG. 4 is a rear elevational view of the seating arrangement;

FIG. 5 is a second side elevational view of the seating arrangement;

FIG. 6 is a top plan view of the seating arrangement; and,

FIG. 7 is a bottom plan view of the seating arrangement.

**1 Claim, 7 Drawing Sheets**



(56)

References Cited

U.S. PATENT DOCUMENTS

D456,627 S 5/2002 Pearce et al.  
 D457,739 S 5/2002 Pearce et al.  
 D460,870 S 7/2002 Van De Riet et al.  
 D463,174 S 9/2002 Chu  
 6,598,937 B2 7/2003 Caruso et al.  
 6,688,698 B1 2/2004 Chou et al.  
 D487,197 S 3/2004 Edwards et al.  
 D499,564 S 12/2004 Meda  
 D500,211 S 12/2004 Koch et al.  
 6,837,546 B2 1/2005 Vandeiret et al.  
 6,966,604 B2 11/2005 Stumpf et al.  
 6,974,189 B2 12/2005 Machael et al.  
 7,004,543 B2 2/2006 Caruso et al.  
 7,097,247 B2 8/2006 Battey et al.  
 7,281,764 B2 10/2007 Thole  
 7,293,833 B2 11/2007 Takeuchi et al.  
 D564,264 S 3/2008 Smith et al.  
 7,344,194 B2 3/2008 Maier et al.  
 7,568,768 B1 8/2009 Tsai  
 D600,052 S 9/2009 Smith et al.  
 7,594,700 B2 9/2009 Stumpf et al.  
 7,604,298 B2 10/2009 Peterson et al.  
 D604,527 S 11/2009 Ooki et al.  
 D609,021 S \* 2/2010 Ooki ..... D6/366  
 D609,482 S 2/2010 Englisch et al.  
 7,866,750 B2 1/2011 Bock  
 D637,423 S 5/2011 Behar et al.  
 D637,838 S 5/2011 Piretti  
 D639,091 S 6/2011 Behar et al.  
 7,997,652 B2 8/2011 Roslund et al.  
 D647,738 S 11/2011 Chen  
 D650,206 S 12/2011 Behar et al.  
 D652,657 S 1/2012 Behar et al.  
 D653,061 S 1/2012 Behar et al.  
 D654,291 S 2/2012 Pearson et al.  
 8,128,175 B2 3/2012 Groelsma et al.  
 D657,166 S 4/2012 Behar et al.  
 D660,056 S 5/2012 Diffrient  
 8,172,332 B2 5/2012 Masunaga et al.  
 8,210,611 B2 7/2012 Aldrich et al.  
 8,246,117 B2 8/2012 Melhuish et al.  
 D673,385 S 1/2013 Lu  
 D680,345 S 4/2013 Xingchang  
 D683,150 S 5/2013 Smith et al.  
 8,602,494 B2 12/2013 Cvek  
 D703,458 S 4/2014 Nakamura et al.  
 D703,459 S 4/2014 Nakamura et al.

D704,488 S 5/2014 Massaud  
 D704,945 S 5/2014 Massaud  
 D705,561 S 5/2014 Massaud  
 D706,547 S 6/2014 Smith et al.  
 8,752,896 B2 6/2014 Takeuchi et al.  
 D708,466 S 7/2014 Massaud  
 D717,555 S 11/2014 Massaud  
 8,926,016 B2 1/2015 Behar et al.  
 D724,367 S 3/2015 Sander  
 8,967,724 B2 3/2015 Battey et al.  
 D728,292 S 5/2015 Ooki  
 9,095,217 B2 8/2015 Oda  
 9,155,393 B2 10/2015 Hurford et al.  
 D742,674 S 11/2015 Wilkinson et al.  
 9,332,851 B2 5/2016 Machael et al.  
 D763,612 S 8/2016 Goetz  
 D767,318 S 9/2016 Kubryk  
 D773,872 S 12/2016 Kim  
 D785,353 S 5/2017 Zhou  
 D789,129 S 6/2017 Fromme-Ruthmann  
 D827,352 S \* 9/2018 Peterson ..... D6/716.4  
 D846,294 S \* 4/2019 Peterson ..... D6/366  
 D851,417 S \* 6/2019 Peterson ..... D6/366  
 D851,418 S \* 6/2019 Peterson ..... D6/366  
 D851,952 S \* 6/2019 Peterson ..... D6/366  
 D852,524 S \* 7/2019 Peterson ..... D6/366  
 D852,525 S \* 7/2019 Peterson ..... D6/366  
 D852,526 S \* 7/2019 Peterson ..... D6/366  
 2005/0099055 A1 5/2005 Koepke et al.  
 2008/0258531 A1 10/2008 Lu  
 2009/0021065 A1 1/2009 Brauning  
 2009/0085388 A1 4/2009 Parker et al.  
 2010/0078975 A1 4/2010 Kang  
 2011/0062758 A1 3/2011 Wiese  
 2011/0181086 A1 7/2011 Pfeifer et al.  
 2012/0161483 A1 6/2012 Hayashi  
 2014/0084652 A1 3/2014 Norman et al.  
 2014/0265493 A1 9/2014 Machael et al.  
 2015/0108809 A1 4/2015 Romero  
 2015/0123441 A1 5/2015 Duke  
 2015/0296989 A1 10/2015 Machael et al.  
 2015/0298587 A1 10/2015 Machael et al.  
 2016/0135603 A1 5/2016 Chan et al.

FOREIGN PATENT DOCUMENTS

JP 5386728 B2 1/2014  
 JP 2016152997 A 8/2016  
 WO 2003099071 A1 12/2003

\* cited by examiner

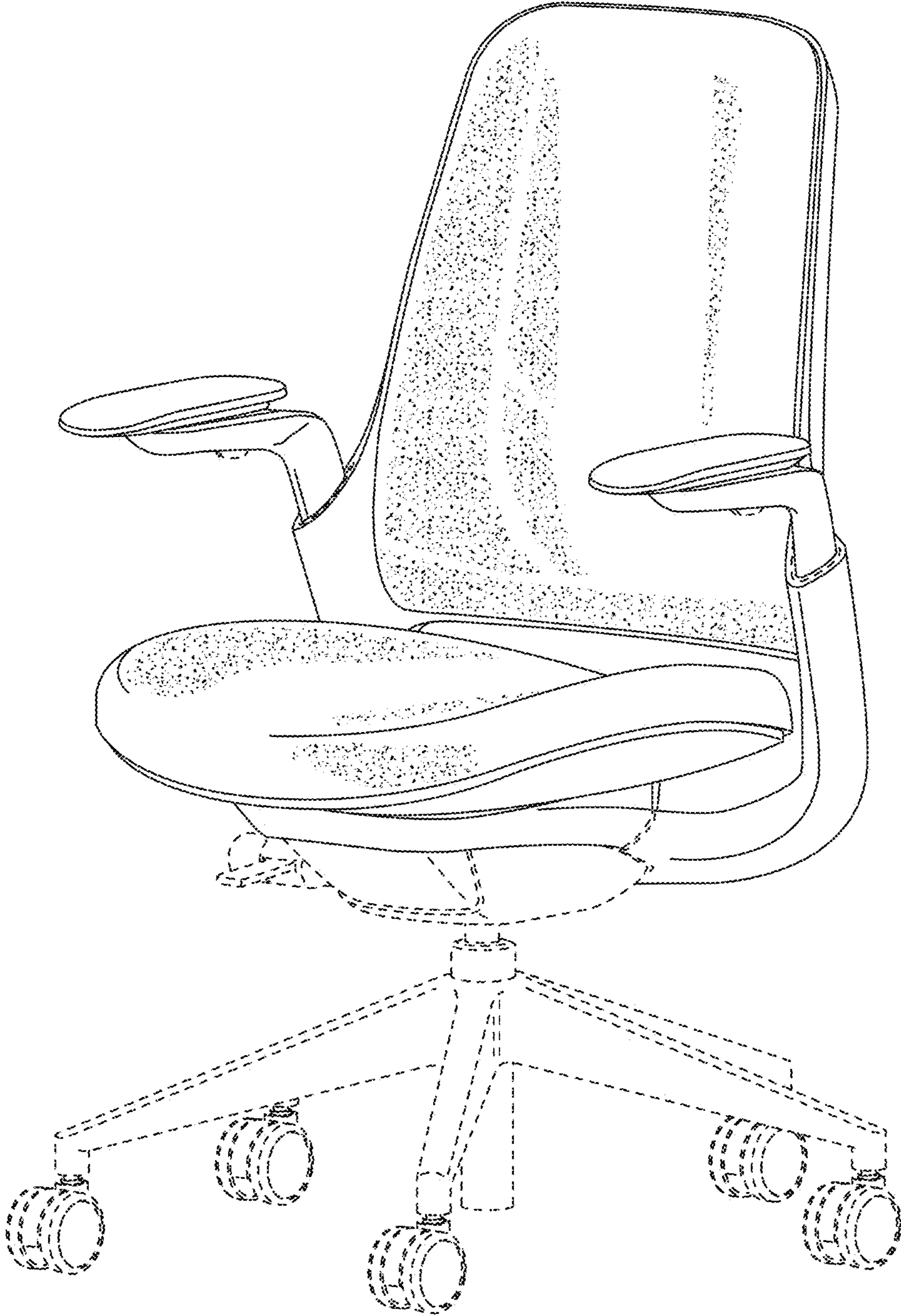


FIG. 1

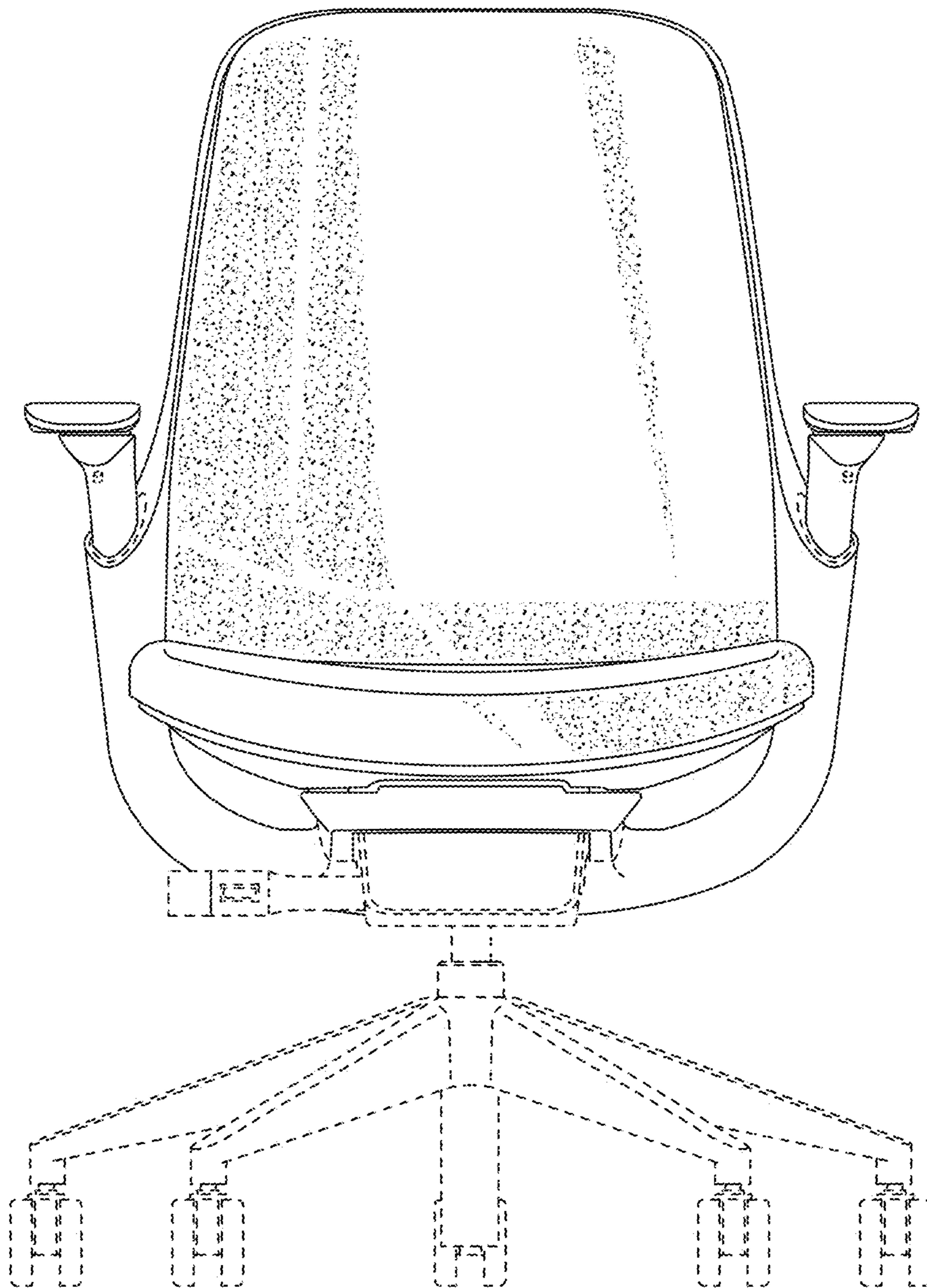


FIG. 2

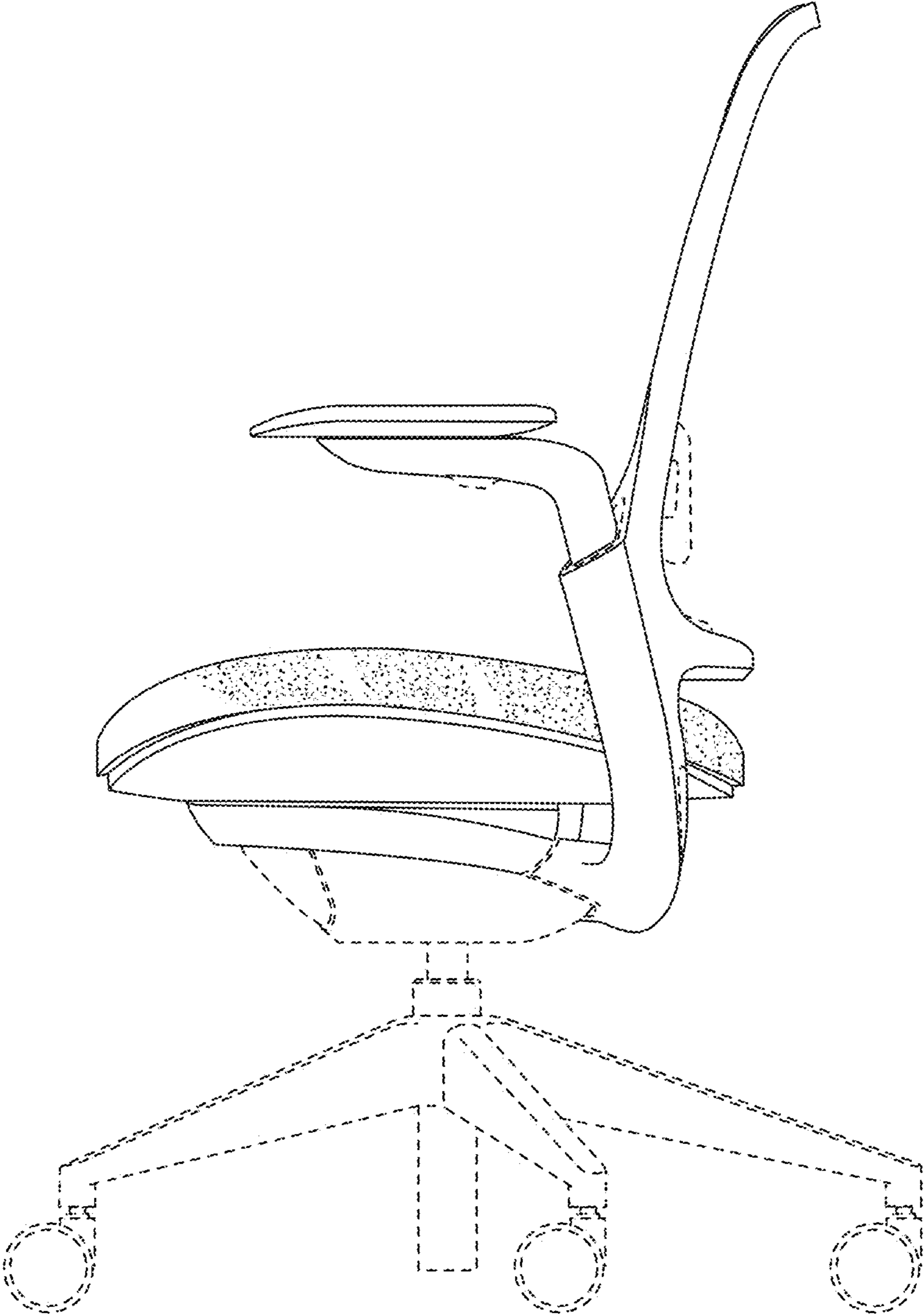


FIG. 3

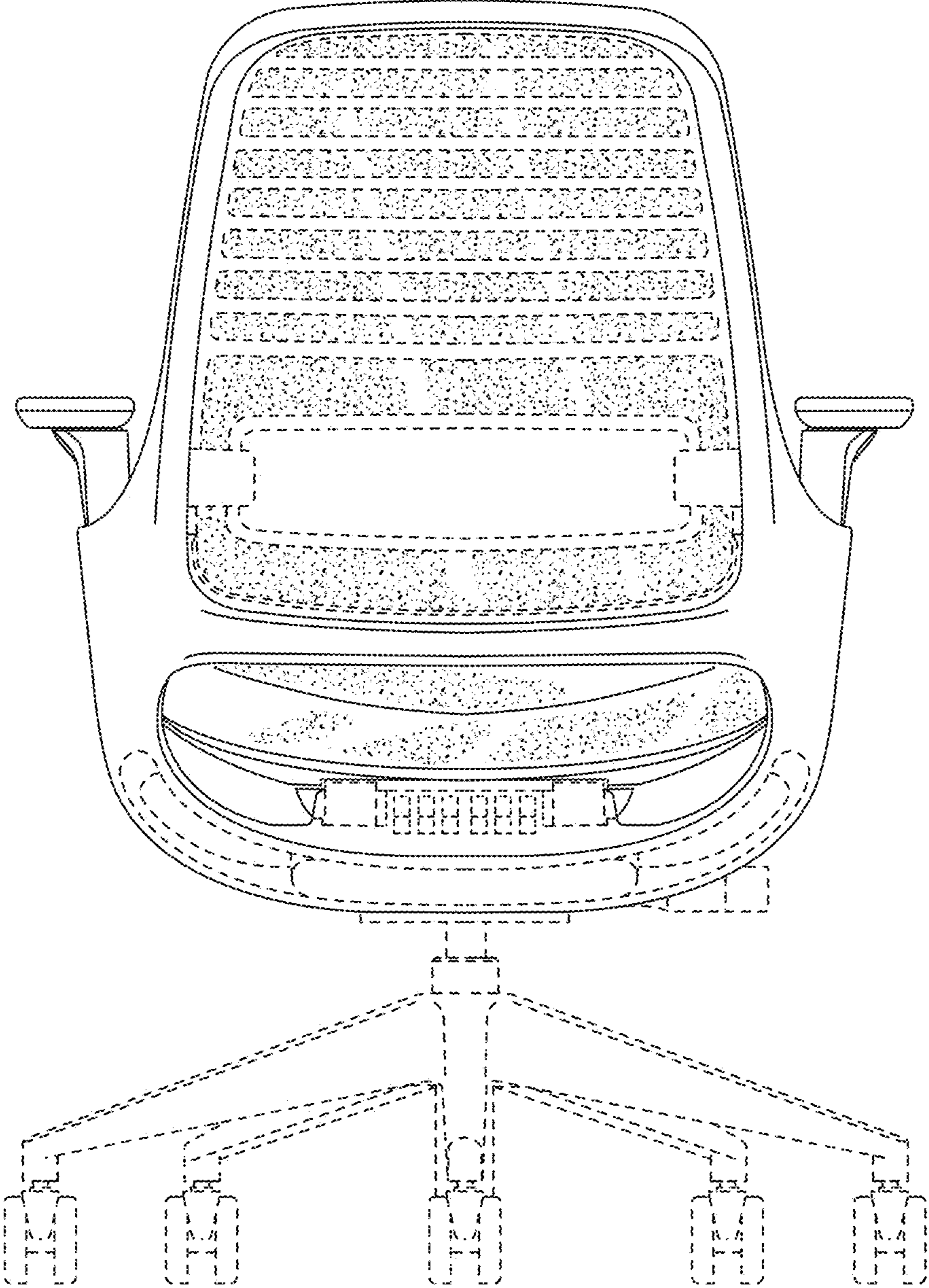


FIG. 4

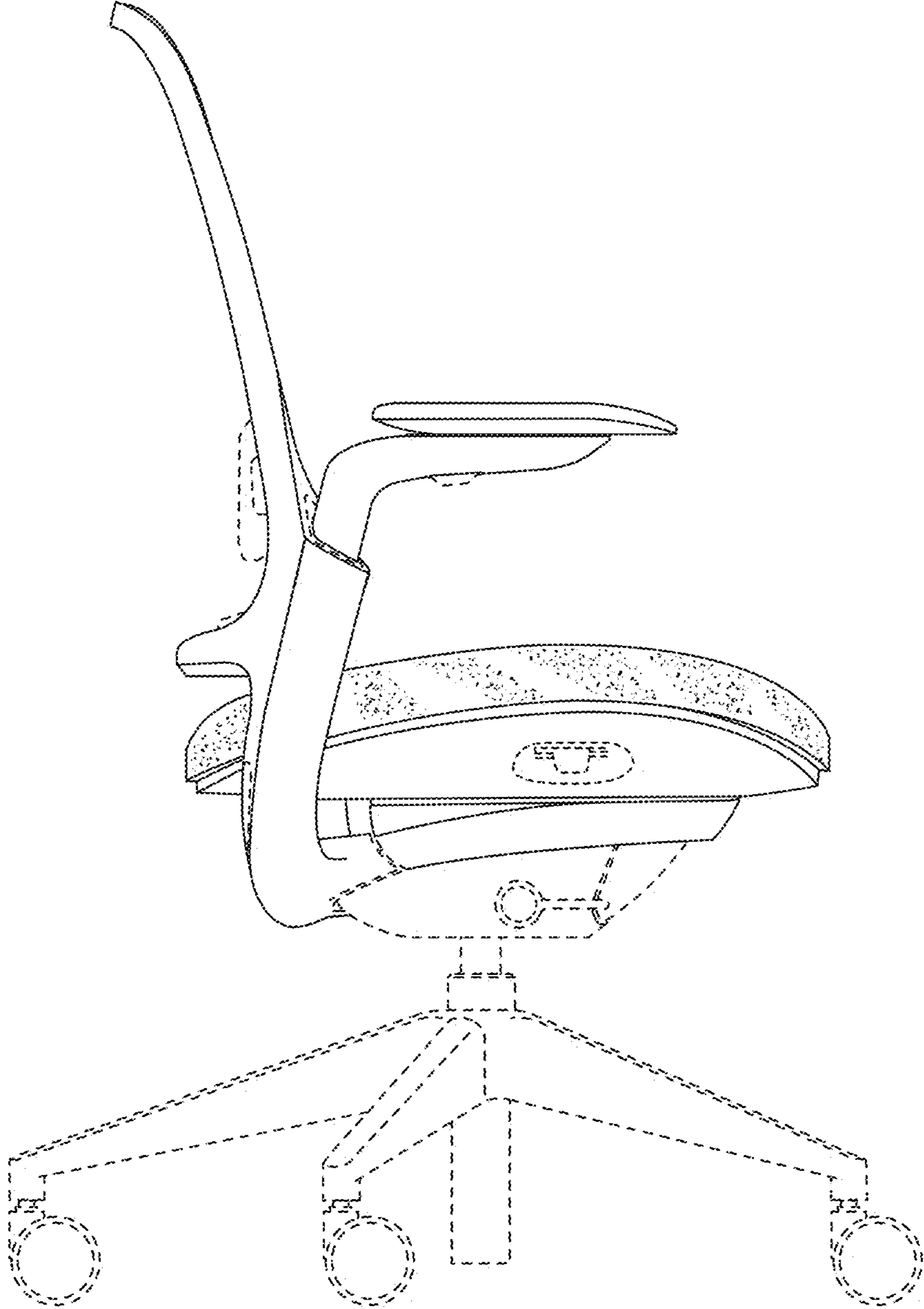


FIG. 5

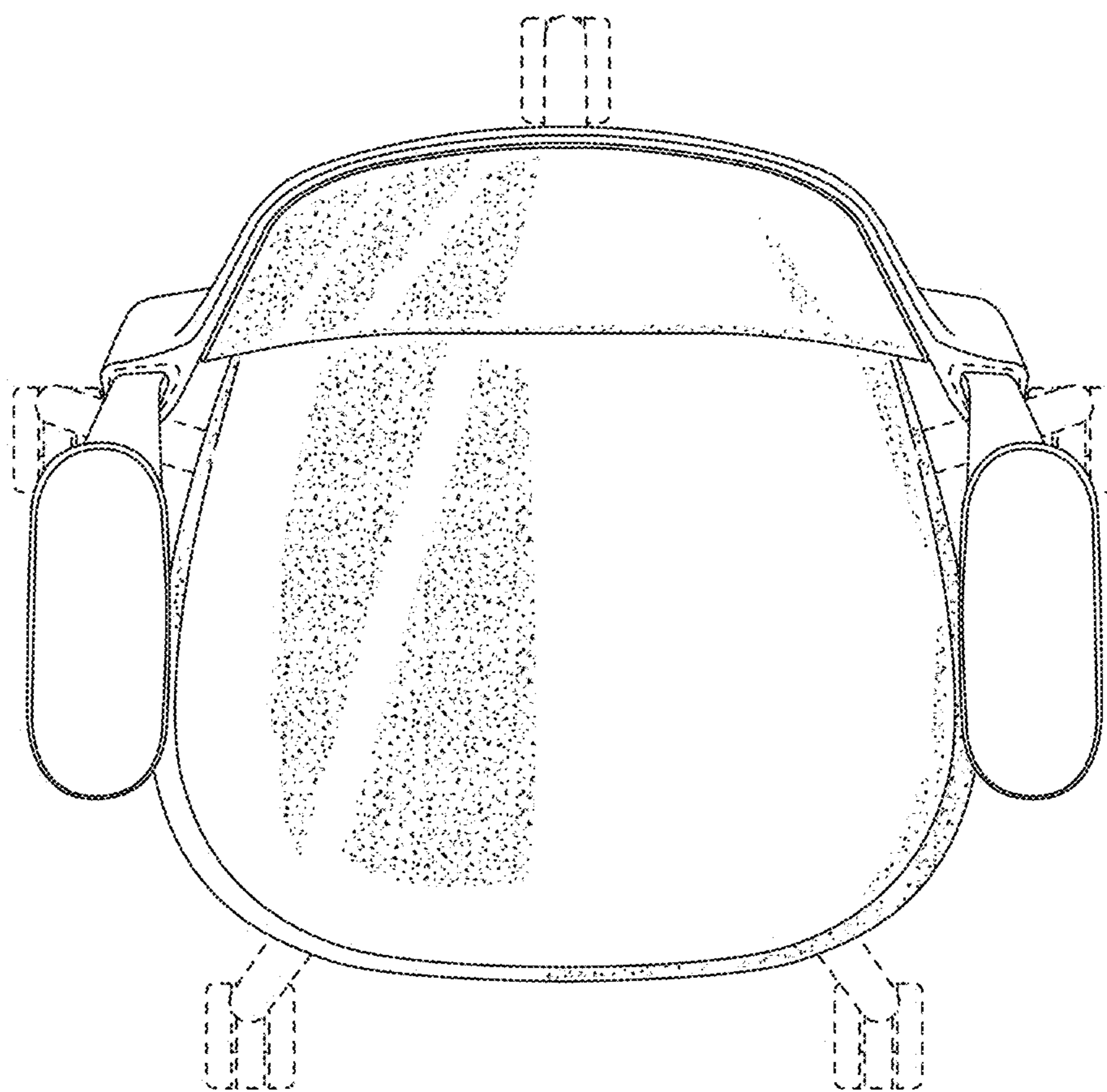


FIG. 6



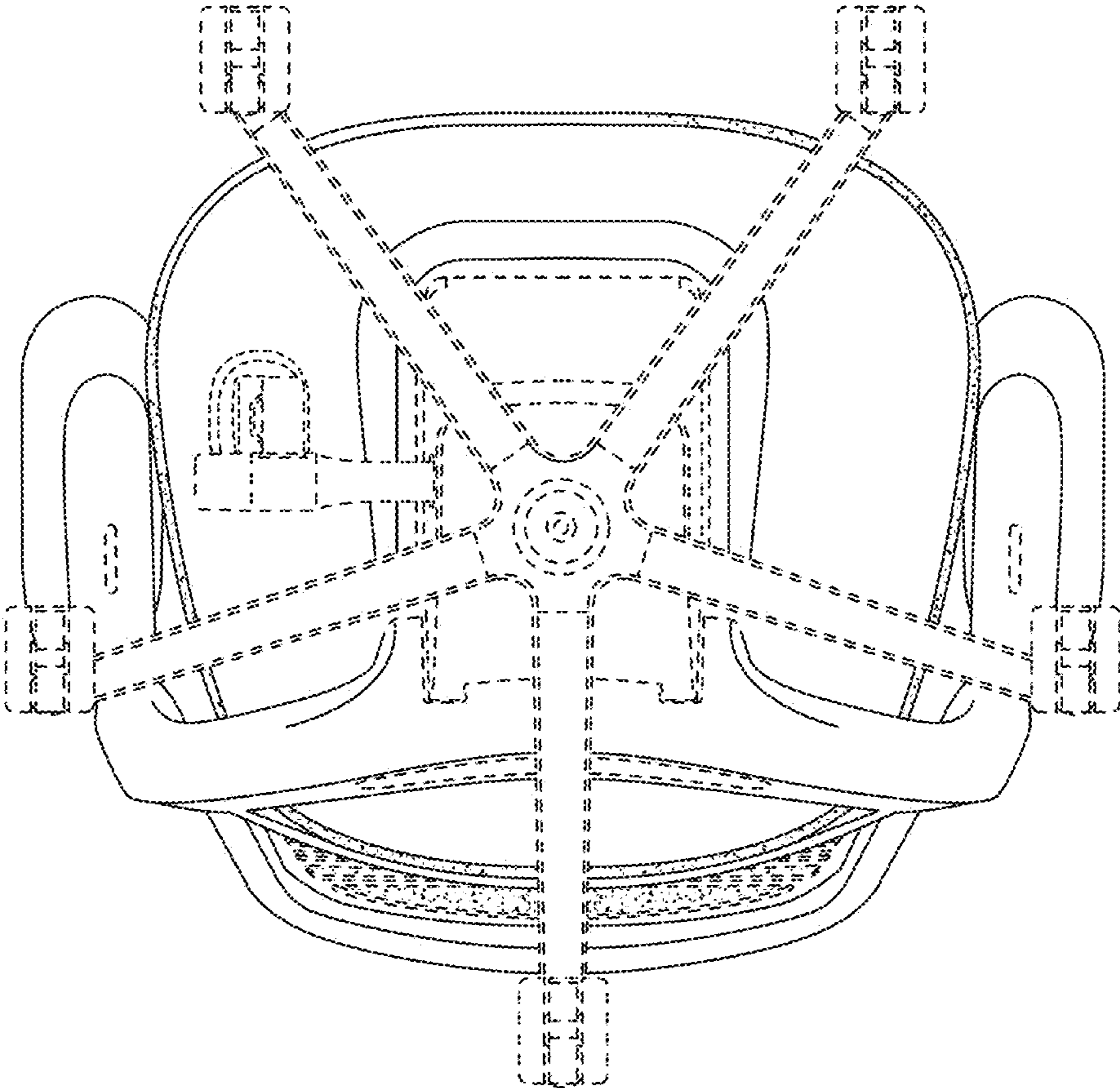


FIG. 7