



US00D876138S

(12) **United States Design Patent** (10) **Patent No.:** **US D876,138 S**
Rollins et al. (45) **Date of Patent:** **** Feb. 25, 2020**

(54) **SHELF STOP WALL**

FOREIGN PATENT DOCUMENTS

(71) Applicant: **Nashville Wire Products Manufacturing Company, LLC**,
Nashville, TN (US)

EP 761134 A1 3/1997
WO 2008029019 A1 3/2008

(72) Inventors: **Phillip Kent Rollins**, Nashville, TN (US); **Randall Louis Berg**,
Murfreesboro, TN (US)

OTHER PUBLICATIONS

Nashville Wire Products—Perforated Decking—brochure (1 page) (2015).
DACS Punch Desk—brochure (4 pages) (2006).

(73) Assignee: **Nashville Wire Products Manufacturing Company, LLC**,
Nashville, TN (US)

Primary Examiner — Kelley A Donnelly

(74) *Attorney, Agent, or Firm* — Lucian Wayne Beavers;
Alex H. Huffstutter; Patterson Intellectual Property Law,
PC

(**) Term: **15 Years**

(21) Appl. No.: **29/692,168**

(57) **CLAIM**

(22) Filed: **May 23, 2019**

What is claimed is the ornamental design for a shelf stop wall, as shown and described.

Related U.S. Application Data

(63) Continuation of application No. 15/939,370, filed on Mar. 29, 2018, now Pat. No. 10,377,569.

DESCRIPTION

(51) **LOC (12) Cl.** **06-06**

(52) **U.S. Cl.**
USPC **D6/706**

(58) **Field of Classification Search**
USPC D6/672–673, 678, 680.2, 680.3, 682.1,
D6/705, 705.2, 706
CPC A47B 57/583; A47F 5/005; A47F 5/0018;
A47F 5/0025; A47F 5/0068
See application file for complete search history.

FIG. 1 is a front top perspective view showing the shelf stop wall of Applicants' invention.

FIG. 2 is a rear bottom perspective view of the shelf stop wall of FIG. 1.

FIG. 3 is a front elevation of the shelf stop wall of FIG. 1.

FIG. 4 is a top plan view of the shelf stop wall of FIG. 1.

FIG. 5 is a bottom plan view of the shelf stop wall of FIG. 1.

FIG. 6 is a right side elevation of the shelf stop wall of FIG. 1, the left side elevation view being an identical mirror image thereto; and,

FIG. 7 is a rear elevation of the shelf stop wall of FIG. 1. The broken lines in the figures are used to represent subject matter that forms no part of the claimed design.

Where the figures show the article broken away, the break lines are understood to indicate unclaimed length, and any portion of the article between the break lines forms no part of the claimed design.

(56) **References Cited**

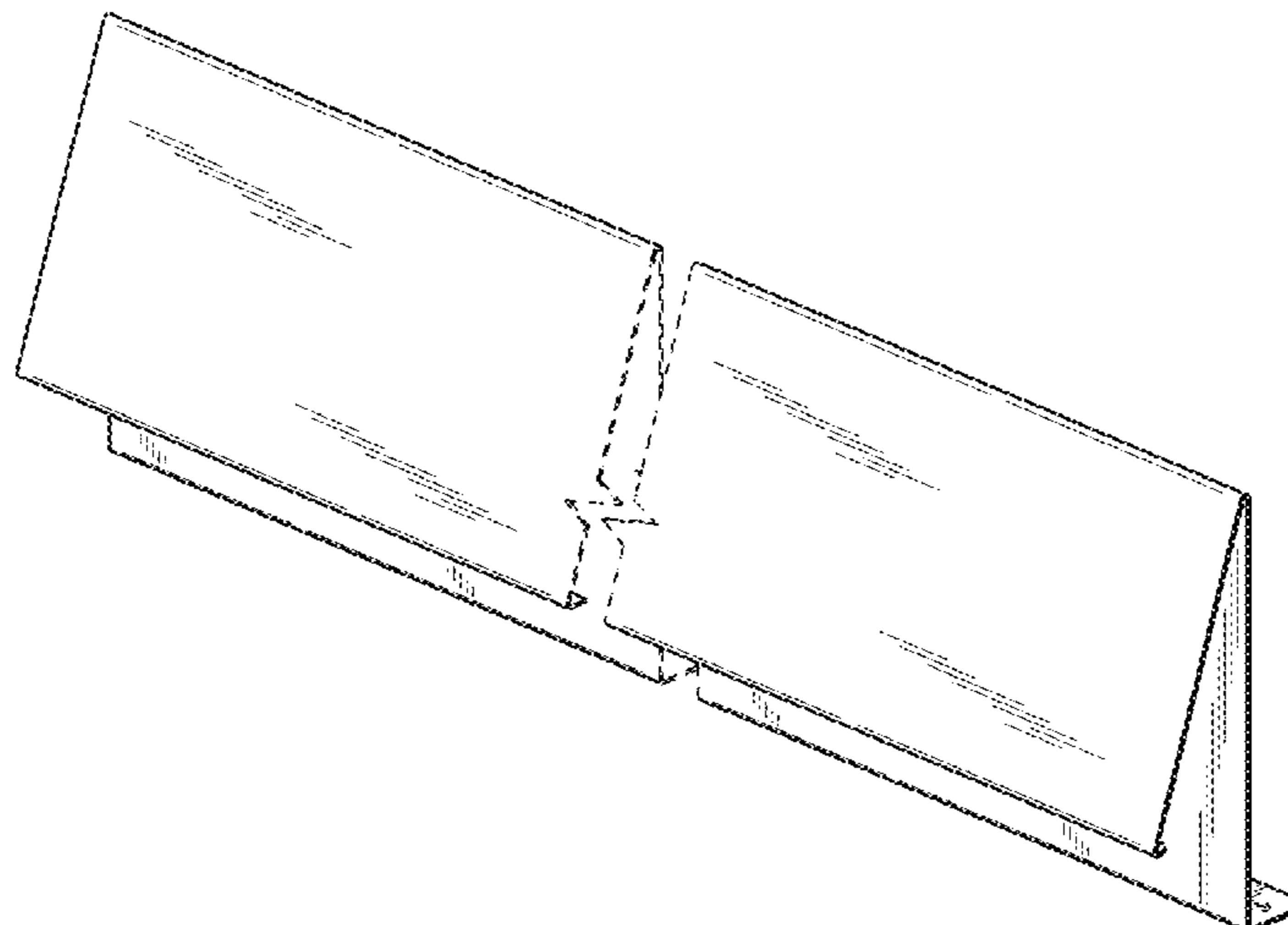
U.S. PATENT DOCUMENTS

1,409,092 A 3/1922 Goldfield
1,750,576 A * 3/1930 Cubberley A47B 65/20
211/11

2,381,608 A 8/1945 Leyerle
2,872,046 A * 2/1959 Polay A47B 65/00
211/42

3,196,812 A 7/1965 Jacques
(Continued)

1 Claim, 3 Drawing Sheets



(56)

References Cited

U.S. PATENT DOCUMENTS

3,323,656 A 6/1967 Weiss et al.
 3,814,034 A 6/1974 Seiz
 3,900,112 A 8/1975 Azzi
 3,986,616 A 10/1976 Gray
 4,078,664 A 3/1978 McConnell
 D262,336 S * 12/1981 Barnstone D19/34.1
 4,372,451 A 2/1983 Rasmussen et al.
 4,496,037 A 1/1985 Spamer
 4,519,508 A 5/1985 Gullett et al.
 4,575,037 A * 3/1986 Hammar A47B 23/042
 248/174
 4,600,183 A * 7/1986 Ogden B25B 11/00
 269/43
 D285,152 S * 8/1986 Smith D19/34.1
 4,923,070 A 5/1990 Jackle et al.
 D308,394 S * 6/1990 Smith D19/34.1
 5,121,681 A 6/1992 Chang
 5,160,051 A 11/1992 Bustos
 5,181,623 A 1/1993 Linden et al.
 5,383,409 A 1/1995 Hayakawa
 5,489,031 A 2/1996 Carroll
 5,577,623 A 11/1996 Bustos
 5,718,441 A 2/1998 Kern et al.
 5,769,249 A 6/1998 Lascara
 5,816,173 A 10/1998 Warneford
 6,039,192 A 3/2000 Hollander
 6,050,428 A 4/2000 Hollander
 6,132,158 A 10/2000 Pfeiffer et al.
 6,173,658 B1 1/2001 Moberg

6,290,077 B2 9/2001 Sosso
 D457,405 S * 5/2002 White D8/16
 6,401,944 B1 6/2002 Kircher et al.
 6,799,689 B2 10/2004 Langtry
 6,871,747 B2 3/2005 Bustos
 7,156,243 B2 1/2007 Henning et al.
 D540,859 S * 4/2007 Weiler D19/34.1
 D566,760 S * 4/2008 Cristofaro D19/32
 7,815,060 B2 10/2010 Iellimo
 8,443,992 B2 5/2013 Lawson et al.
 8,869,441 B1 * 10/2014 Raimondi G09F 7/18
 40/611.06
 8,919,585 B2 12/2014 Trover
 D726,463 S * 4/2015 Andersson D6/706
 9,027,767 B2 5/2015 Buckley et al.
 9,375,102 B2 6/2016 Troyner et al.
 9,386,855 B2 7/2016 Sabounjian
 D809,375 S * 2/2018 Wyser D8/395
 D825,969 S * 8/2018 Collette D6/706
 D839,647 S * 2/2019 Hernandez D6/706
 D847,548 S * 5/2019 Carzola D6/706
 D864,636 S * 10/2019 Rollins A47F 5/0018
 D6/706
 D867,094 S * 11/2019 Rowley D8/88
 2007/0034583 A1 2/2007 Henning et al.
 2010/0077781 A1 4/2010 Decker et al.
 2012/0000871 A1 1/2012 Troyner et al.
 2012/0067838 A1 3/2012 Lawson et al.
 2014/0116973 A1 5/2014 Buckley et al.
 2015/0090683 A1 4/2015 Sabounjian
 2016/0220018 A1 8/2016 Hanlon
 2017/0042329 A1 2/2017 Rollins et al.

* cited by examiner

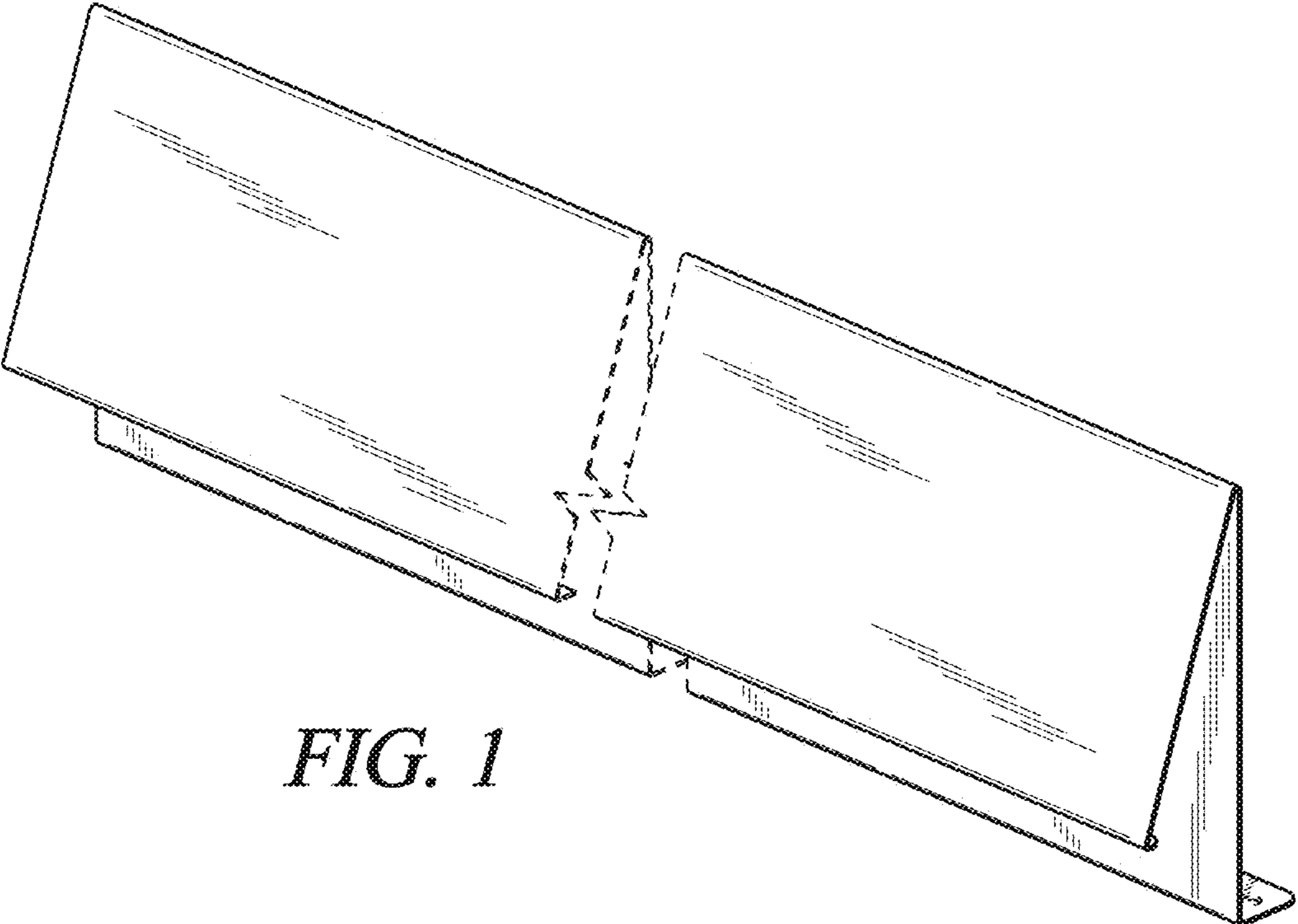


FIG. 1

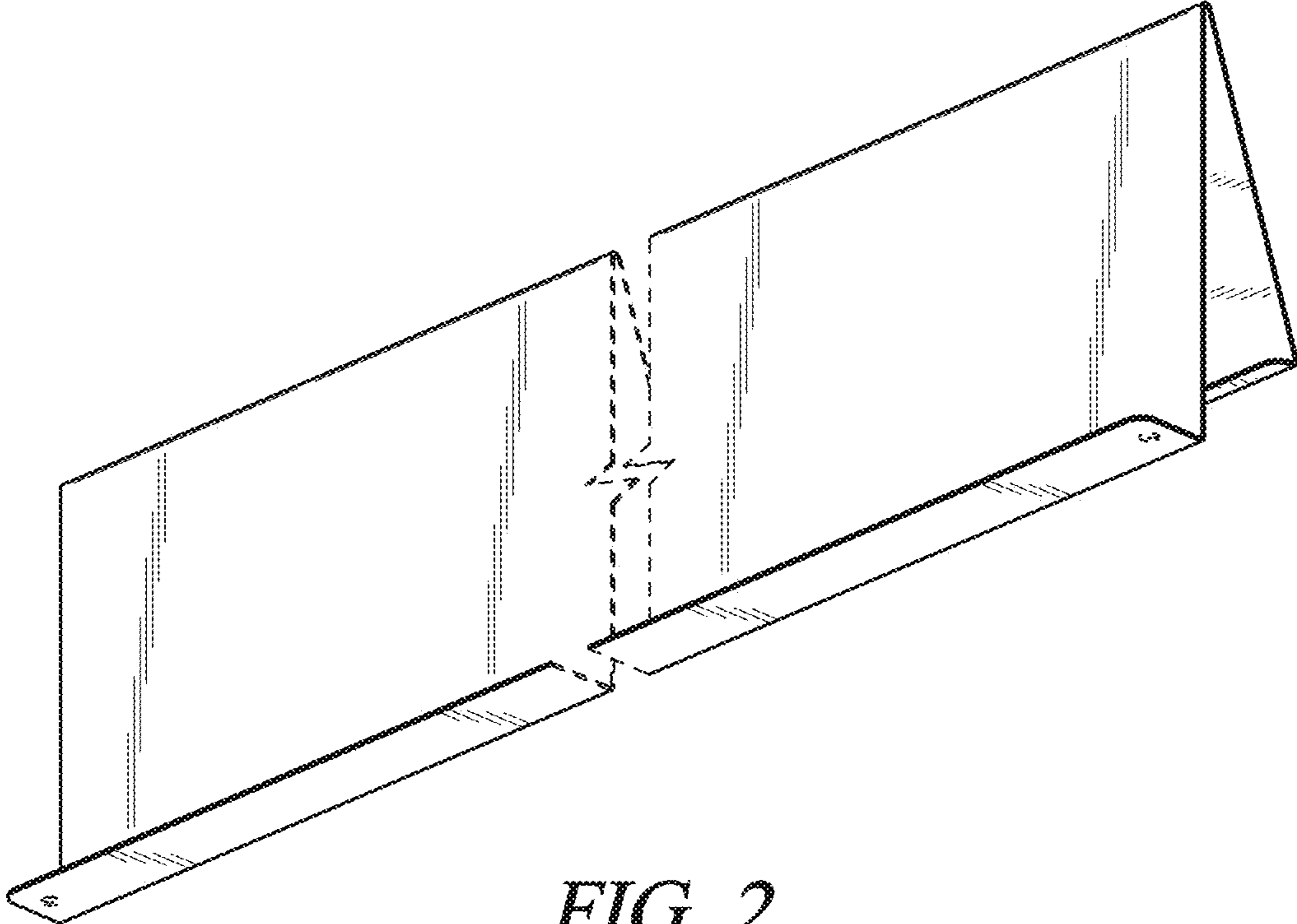


FIG. 2

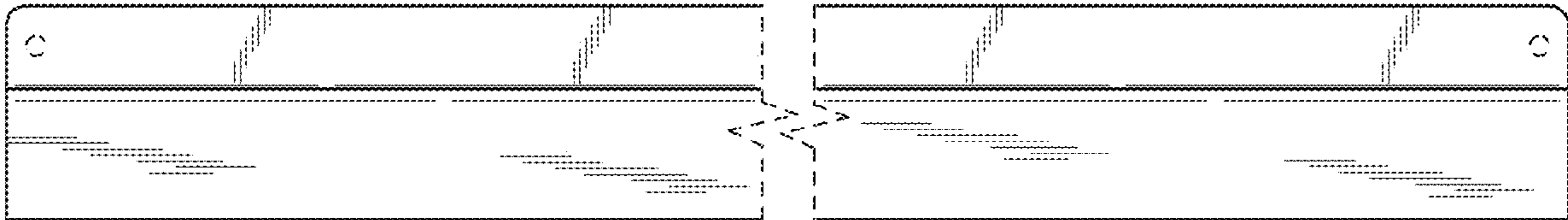


FIG. 4

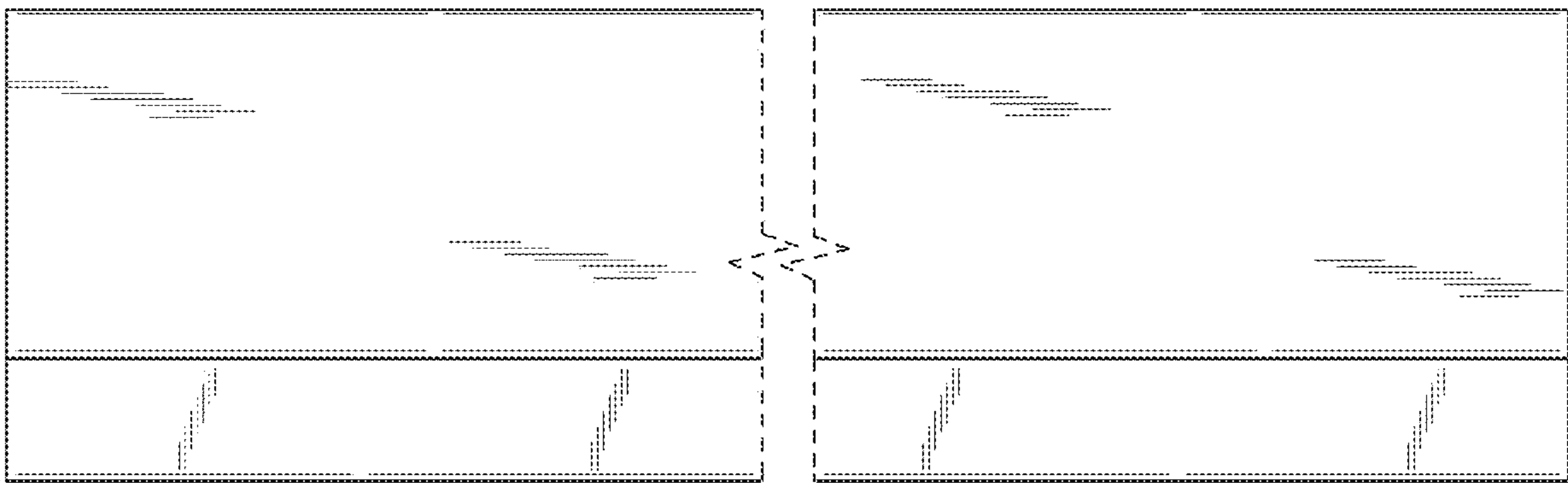


FIG. 3

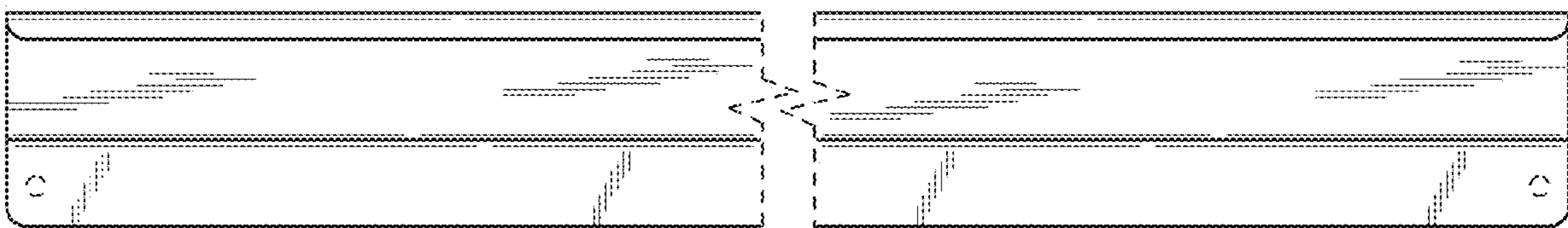


FIG. 5

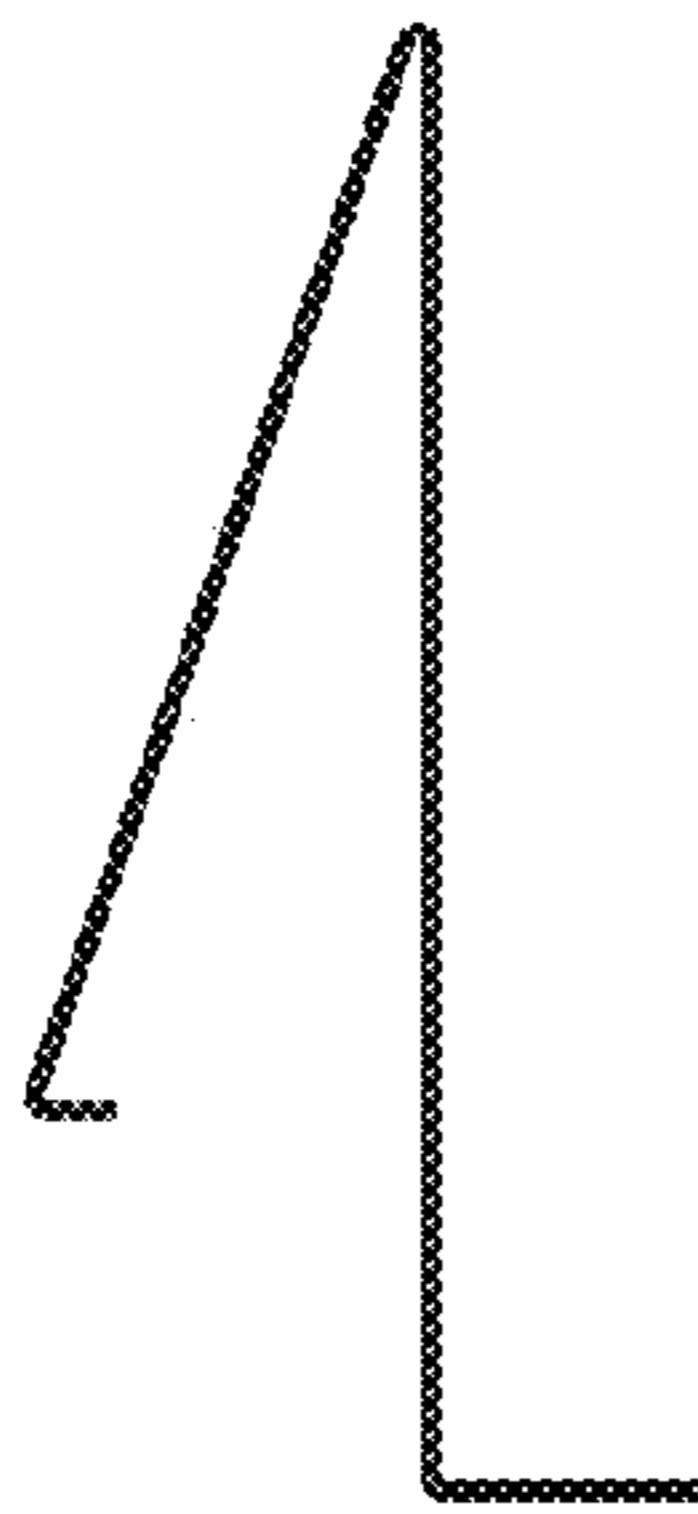


FIG. 6

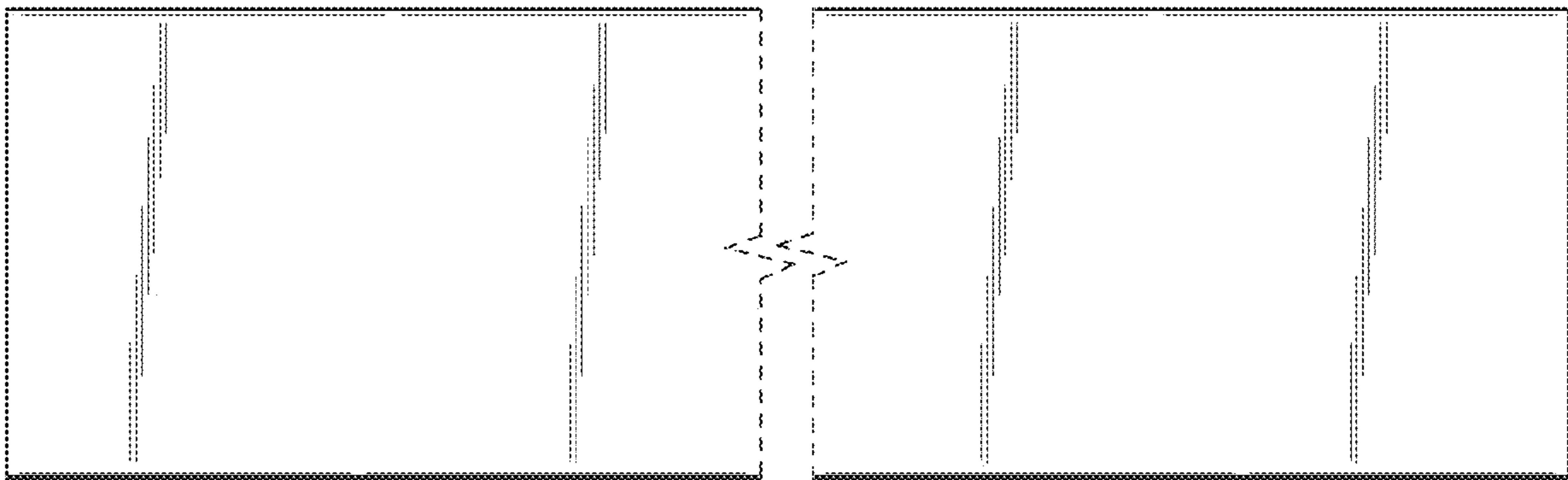


FIG. 7