



US00D876134S

(12) **United States Design Patent** (10) **Patent No.:** **US D876,134 S**  
**Moore** (45) **Date of Patent:** **\*\* Feb. 25, 2020**

(54) **TABLE**

- (71) Applicant: **Emmett Moore**, Coral Gables, FL (US)
- (72) Inventor: **Emmett Moore**, Coral Gables, FL (US)
- (\*\*) Term: **15 Years**
- (21) Appl. No.: **29/636,373**
- (22) Filed: **Feb. 8, 2018**

**Related U.S. Application Data**

- (62) Division of application No. 35/001,116, filed on Nov. 24, 2015 (U.S. filing date under 35 U.S.C. 384), and having an international filing date of Nov. 24, 2015, now Pat. No. Des. 812,938.
- (51) **LOC (12) Cl.** ..... **06-03**
- (52) **U.S. Cl.**  
USPC ..... **D6/688.1**
- (58) **Field of Classification Search**  
USPC .... D6/685, 686, 688, 688.1, 688.15, 688.16,  
D6/688.27, 690, 691, 691.1-691.9  
CPC ..... A47B 7/00; A47B 13/00; A47B 13/02;  
A47B 13/04; A47B 13/06; A47B 13/08;  
A47B 13/12; A47B 17/00; A47B 21/00;  
A47B 2200/0001; A47B 2200/0011;  
A47B 2200/002

See application file for complete search history.

(56) **References Cited**

U.S. PATENT DOCUMENTS

- D693,159 S \* 11/2013 Lidwell ..... D21/425
- D812,938 S \* 3/2018 Moore ..... A63B 41/08  
D6/675.1
- 2016/0107046 A1 \* 4/2016 Krysiak ..... A63B 41/08  
473/605

OTHER PUBLICATIONS

Basketball treat table—Pinterest—Mar. 2019 <https://www.pinterest.com/pin/542120873883685406/?nic=1> retrieved from the internet on Oct. 1, 2019.\*

\* cited by examiner

*Primary Examiner* — Mary Ann Calabrese  
(74) *Attorney, Agent, or Firm* — Lott & Fischer, PL

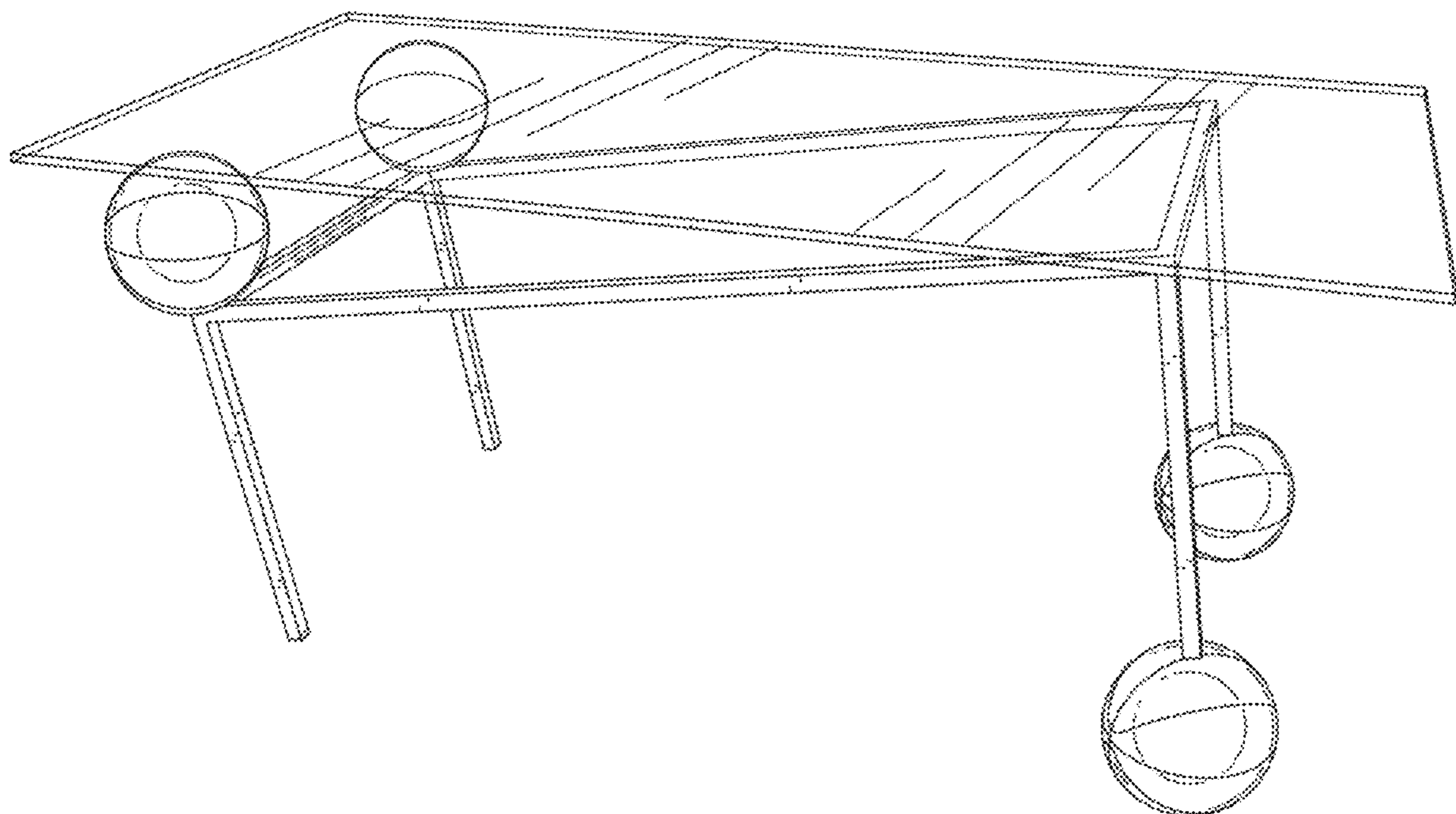
(57) **CLAIM**

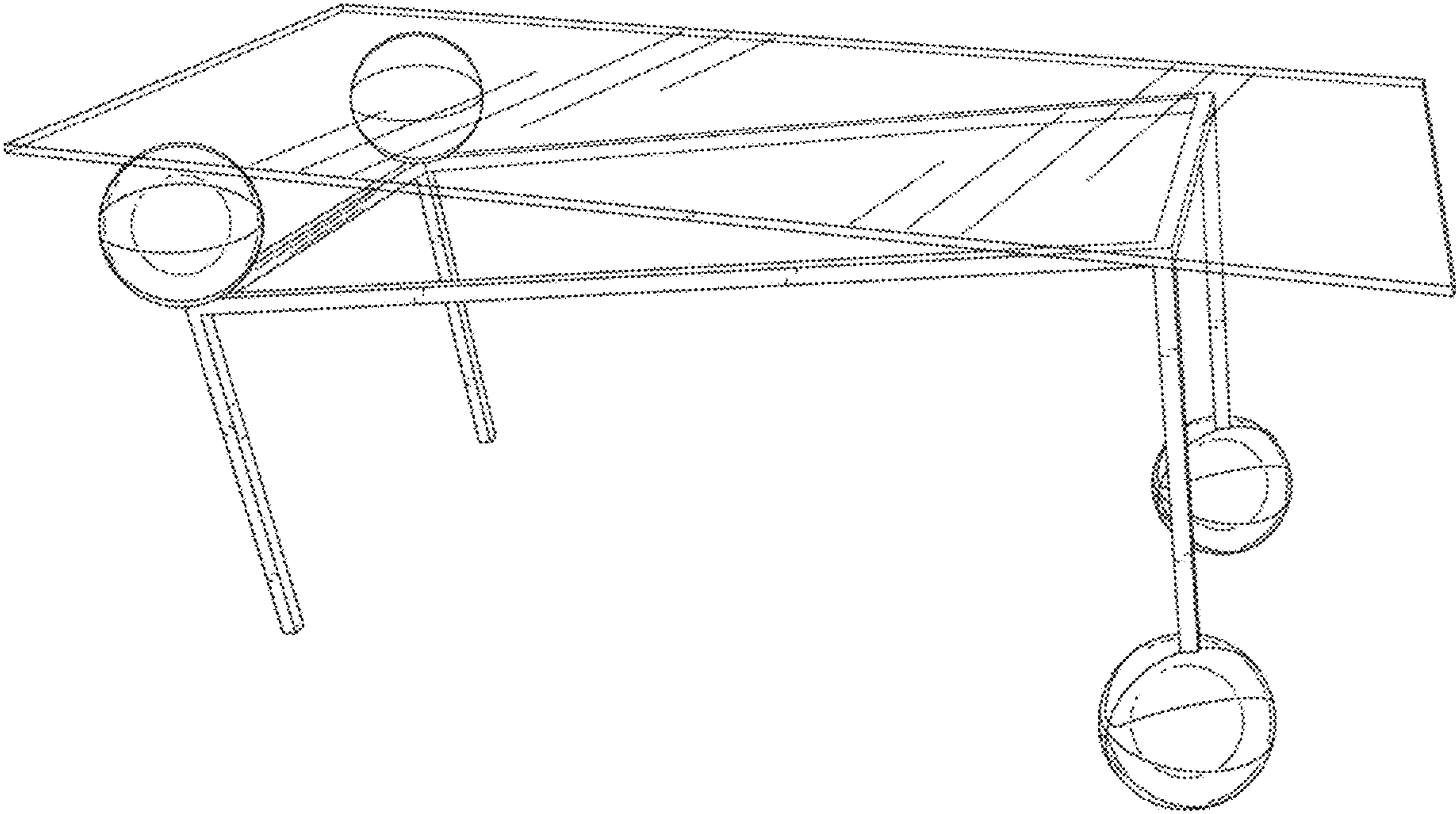
The ornamental design for a table, as shown and described.

**DESCRIPTION**

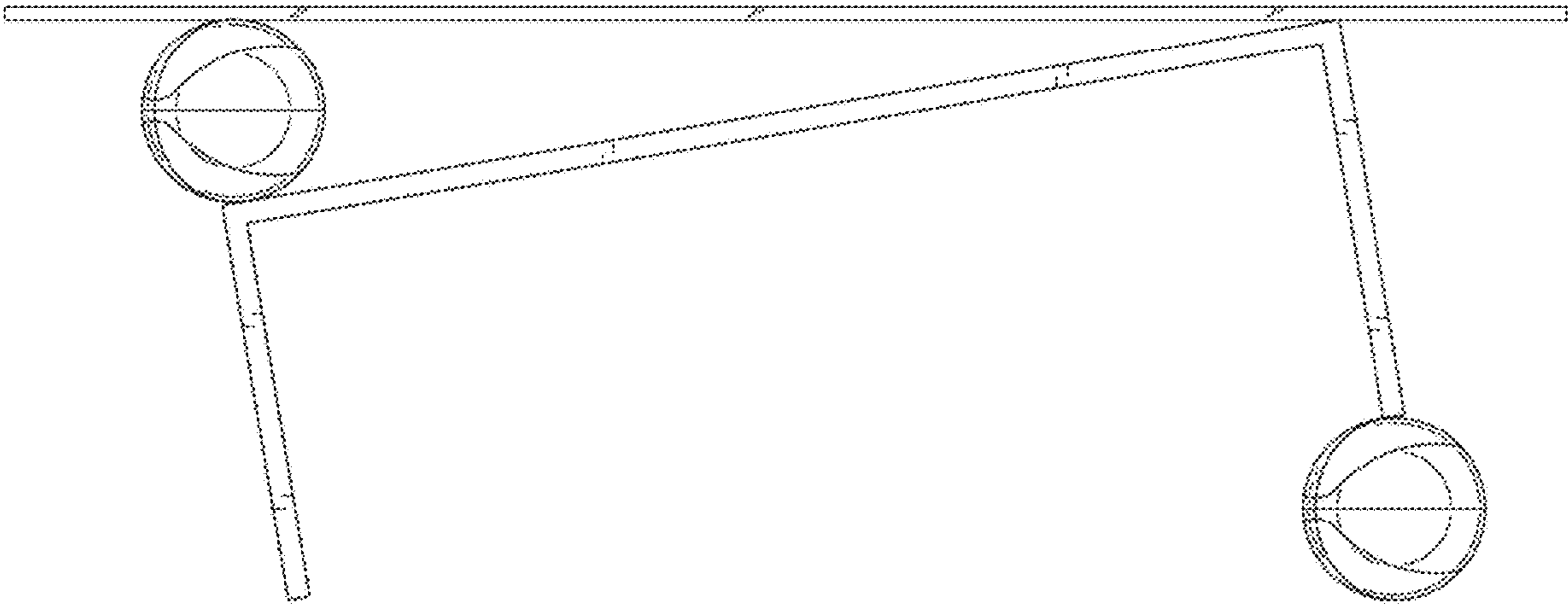
FIG. 1 is a perspective view of my new design;  
FIG. 2 is a left side elevational view of the design of FIG. 1;  
FIG. 3 is a right side elevational view of the design of FIG. 1;  
FIG. 4 is a rear elevational view of the design of FIG. 1;  
FIG. 5 is a front elevational view of the design of FIG. 1;  
FIG. 6 is a top plan view of the design of FIG. 1; and  
FIG. 7 is a bottom plan view of the design of FIG. 1.

**1 Claim, 7 Drawing Sheets**

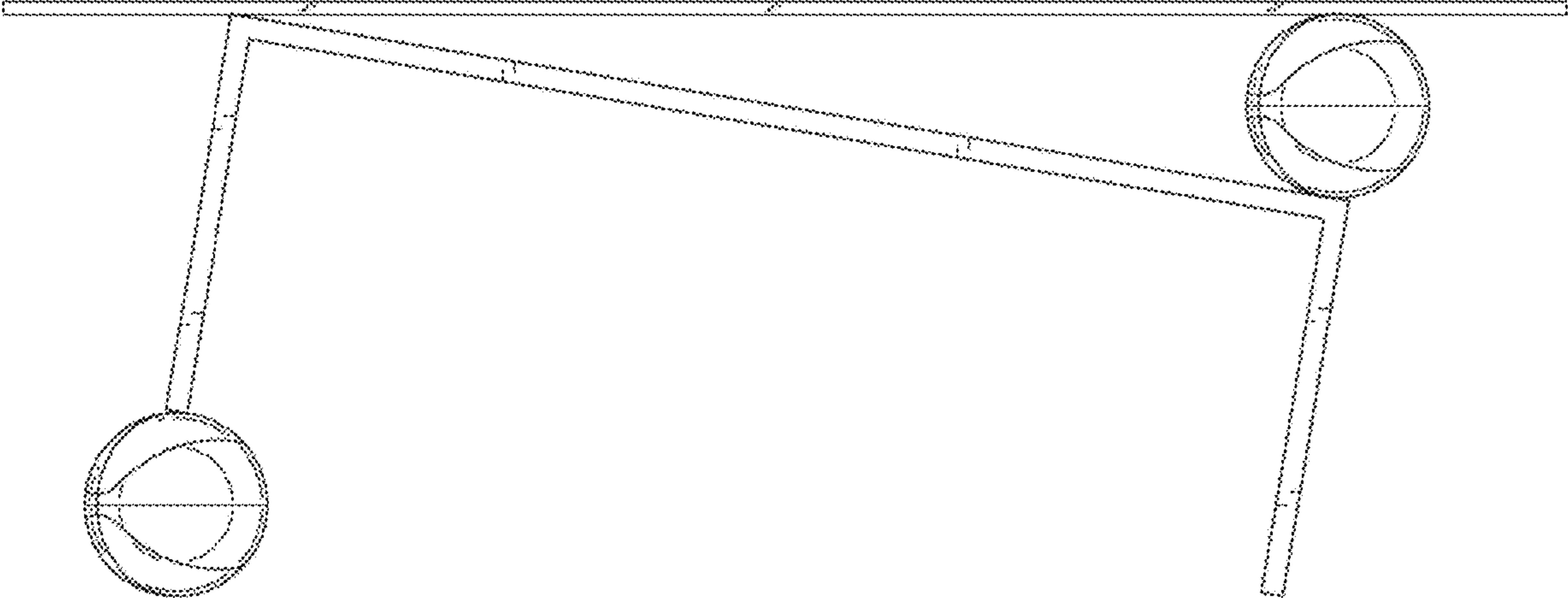




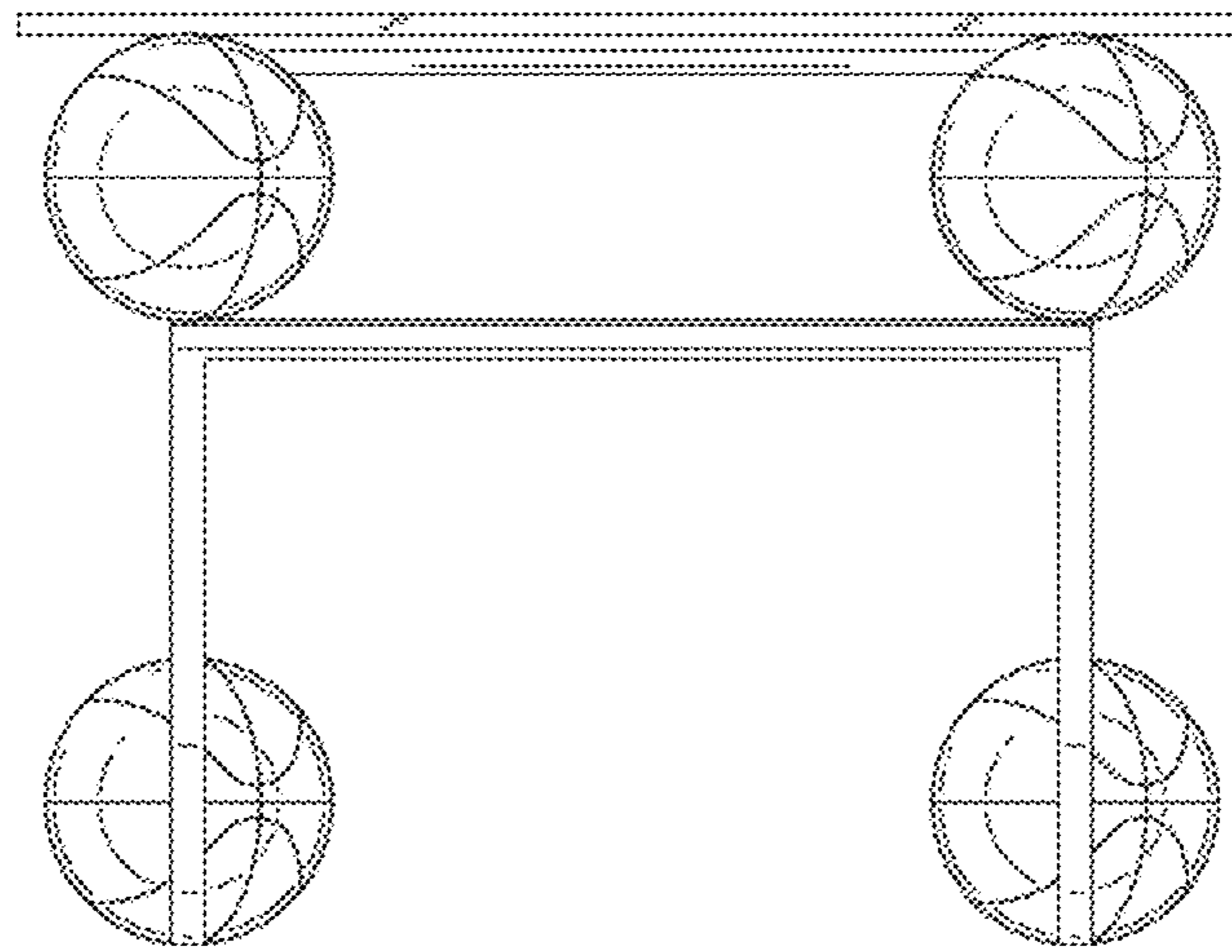
**FIG. 1**



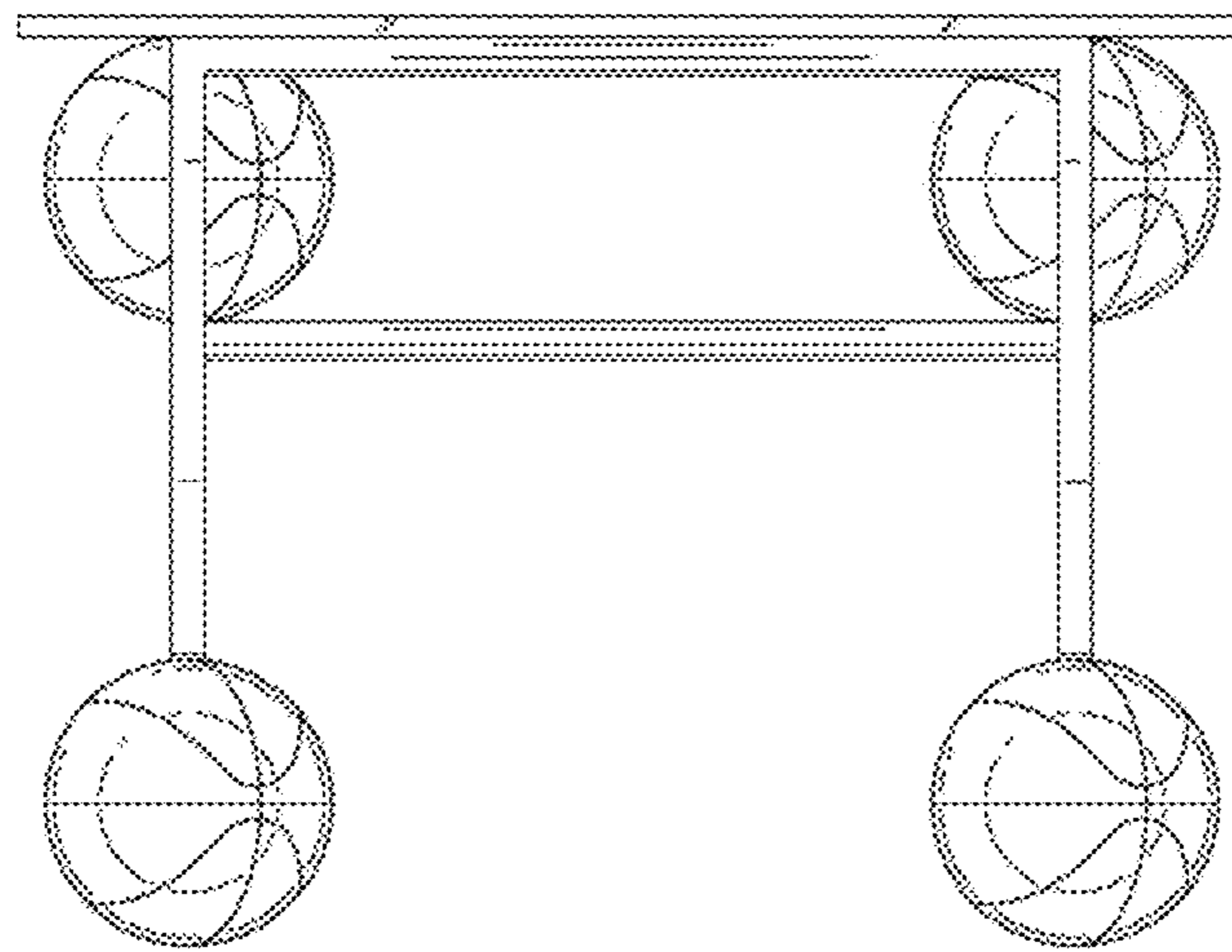
**FIG. 2**



**FIG. 3**



**FIG. 4**



**FIG. 5**

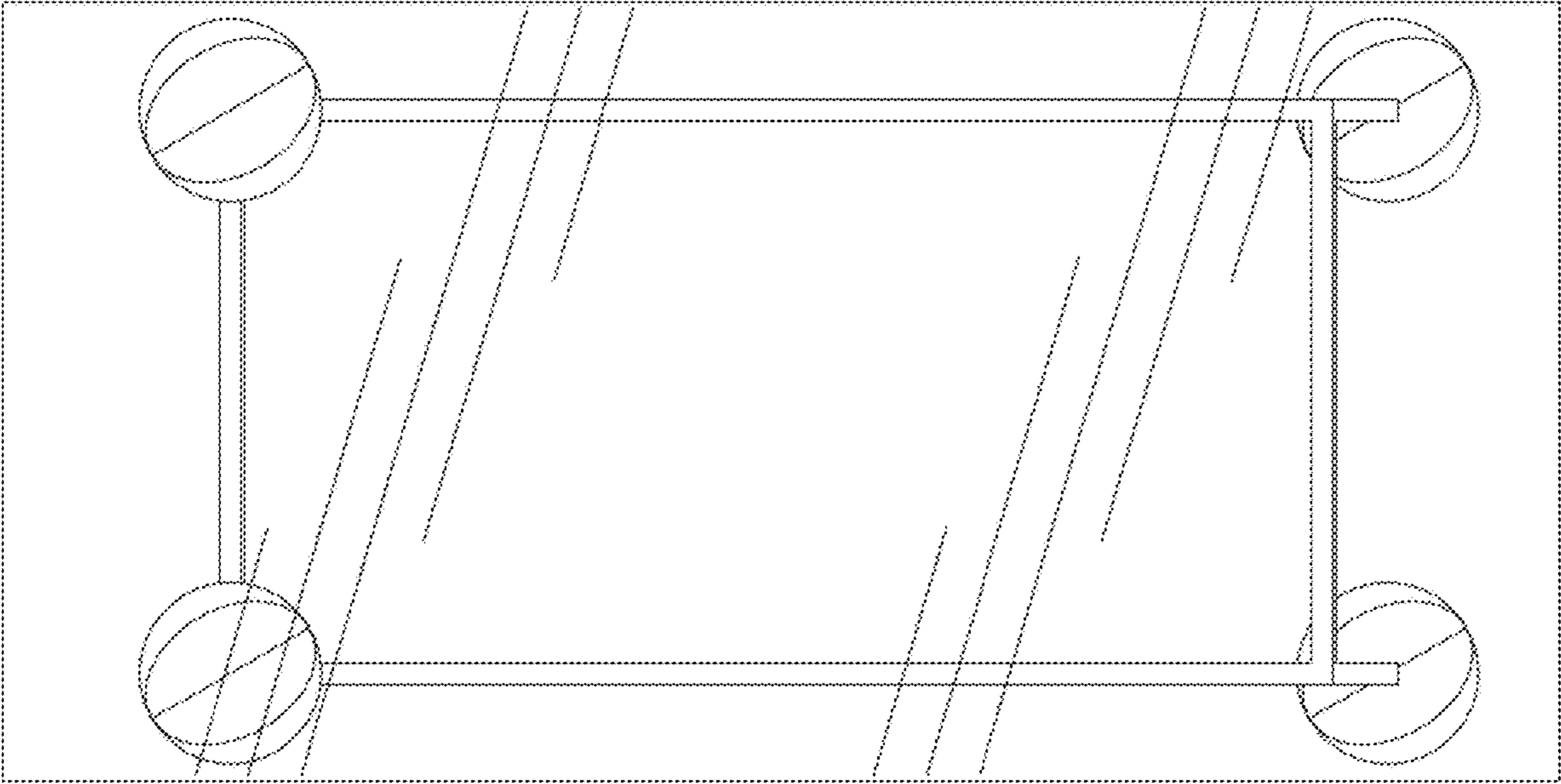


FIG. 6

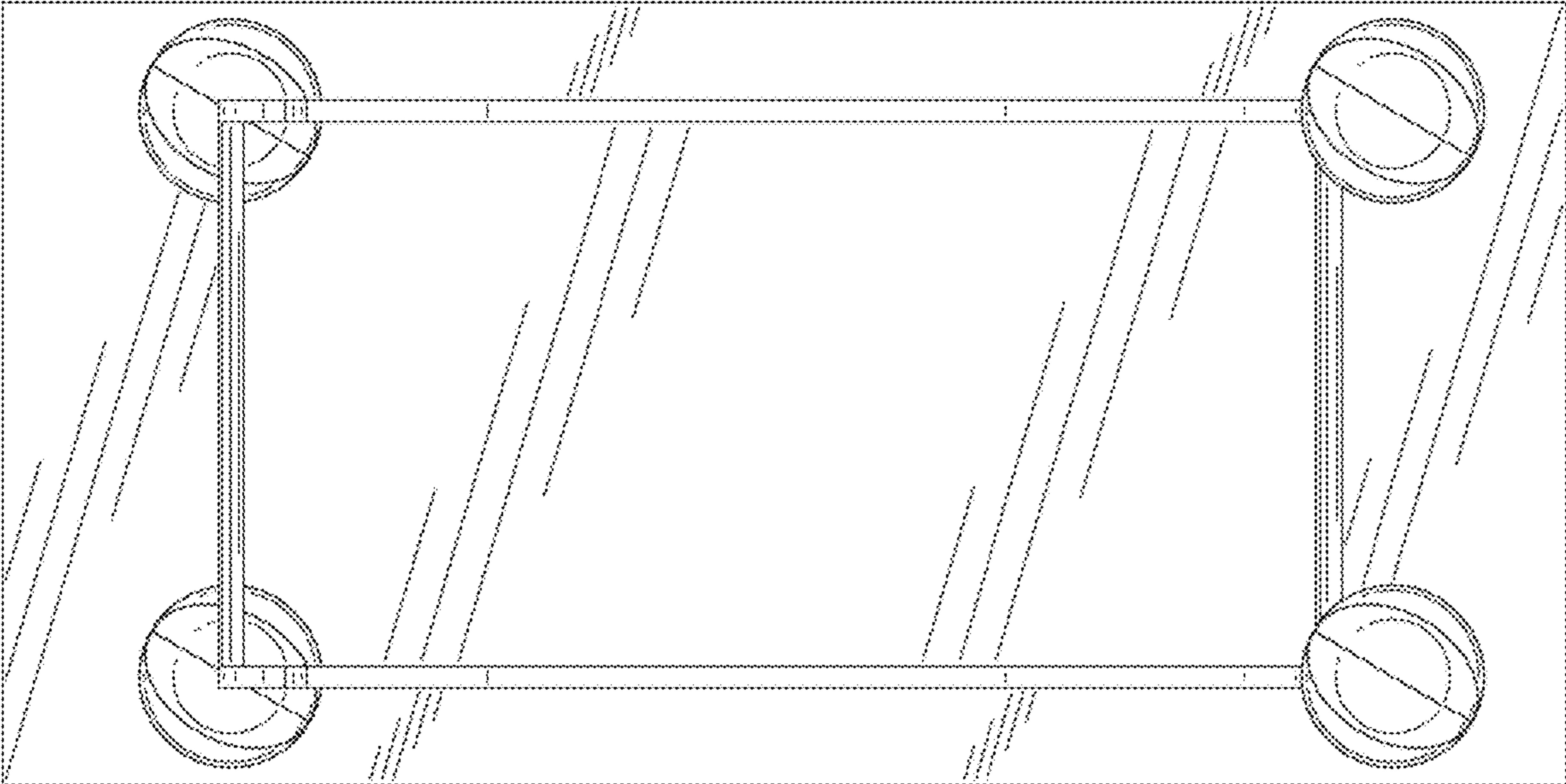


FIG. 7