



US00D876133S

(12) **United States Design Patent** (10) **Patent No.:** **US D876,133 S**
Moore (45) **Date of Patent:** **** Feb. 25, 2020**

(54) **TABLE**

(71) Applicant: **Emmett Moore**, Coral Gables, FL (US)

(72) Inventor: **Emmett Moore**, Coral Gables, FL (US)

(**) Term: **15 Years**

(21) Appl. No.: **29/636,372**

(22) Filed: **Feb. 8, 2018**

Related U.S. Application Data

(62) Division of application No. 35/001,116, filed on Nov. 24, 2015 (U.S. filing date under 35 U.S.C. 384), and having an international filing date of Nov. 24, 2015, now Pat. No. Des. 812,938.

(51) **LOC (12) Cl.** **06-03**

(52) **U.S. Cl.**
USPC **D6/688**

(58) **Field of Classification Search**
USPC D6/685, 686, 688, 688.13, 688.16,
D6/688.27, 690, 691, 691.1–691.9
CPC A47B 7/00; A47B 13/00; A47B 13/02;
A47B 13/04; A47B 13/06; A47B 13/08;
A47B 13/12; A47B 17/00; A47B 21/00;
A47B 2200/0001; A47B 2200/0011;
A47B 2200/002

See application file for complete search history.

(56) **References Cited**

U.S. PATENT DOCUMENTS

D223,499 S * 4/1972 Merritt D6/691.4
D261,840 S * 11/1981 Kvasnicka D6/689
D812,292 S * 3/2018 Moore D27/183

OTHER PUBLICATIONS

1970s Folk Art Beer Can Table Base—Etsy.com <https://www.etsy.com/listing/470111357/1970s-folk-art-beer-can-table-base-free> retrieved from the internet on Sep. 18, 2019.*

* cited by examiner

Primary Examiner — Mary Ann Calabrese

(74) *Attorney, Agent, or Firm* — Lott & Fischer, PL

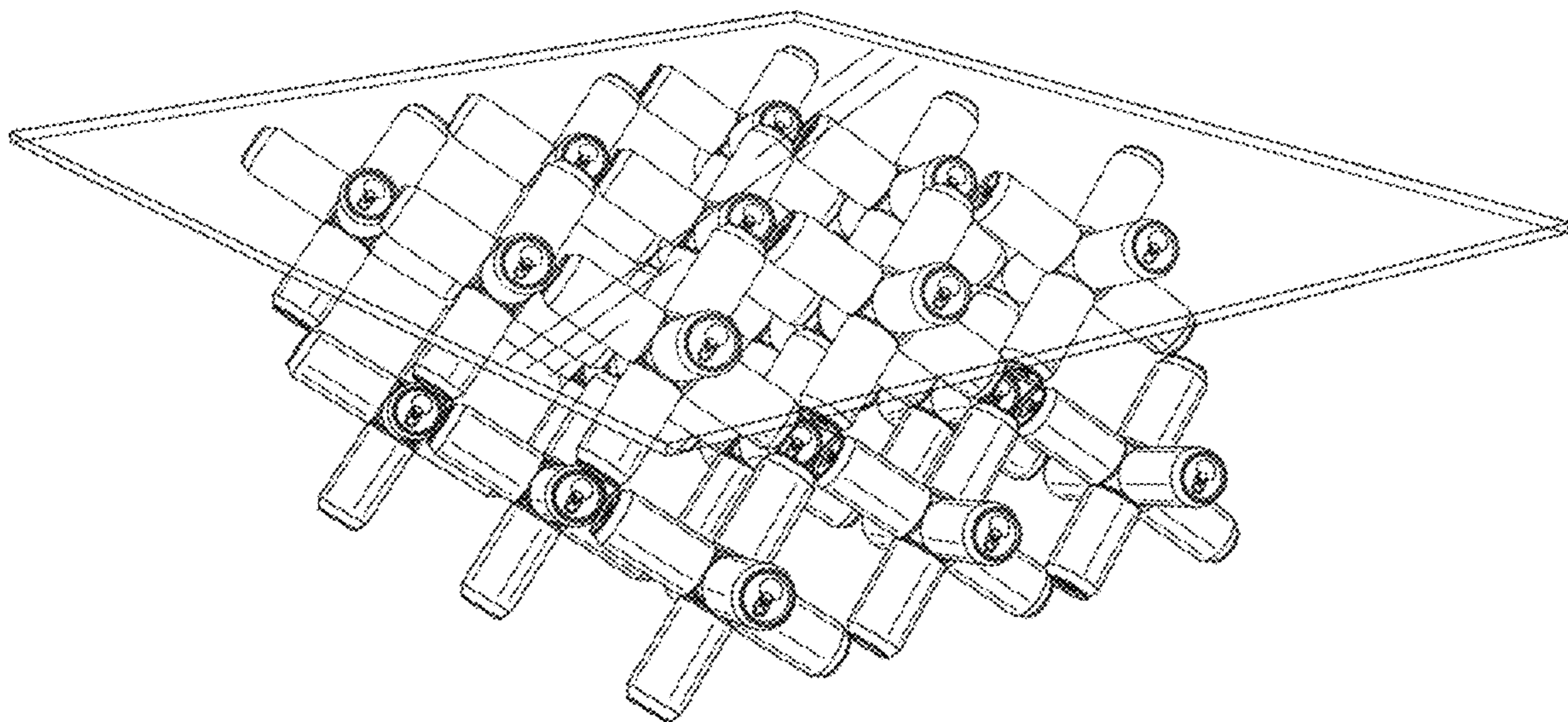
(57) **CLAIM**

The ornamental design for a table, as shown and described.

DESCRIPTION

FIG. 1 is a perspective view of my new design;
FIG. 2 is a left side elevational view of the design of FIG. 1;
FIG. 3 is a right side elevational view of the design of FIG. 1;
FIG. 4 is a rear elevational view of the design of FIG. 1;
FIG. 5 is a front elevational view of the design of FIG. 1;
FIG. 6 is a top plan view of the design of FIG. 1; and,
FIG. 7 is a bottom plan view of the design of FIG. 1.

1 Claim, 7 Drawing Sheets



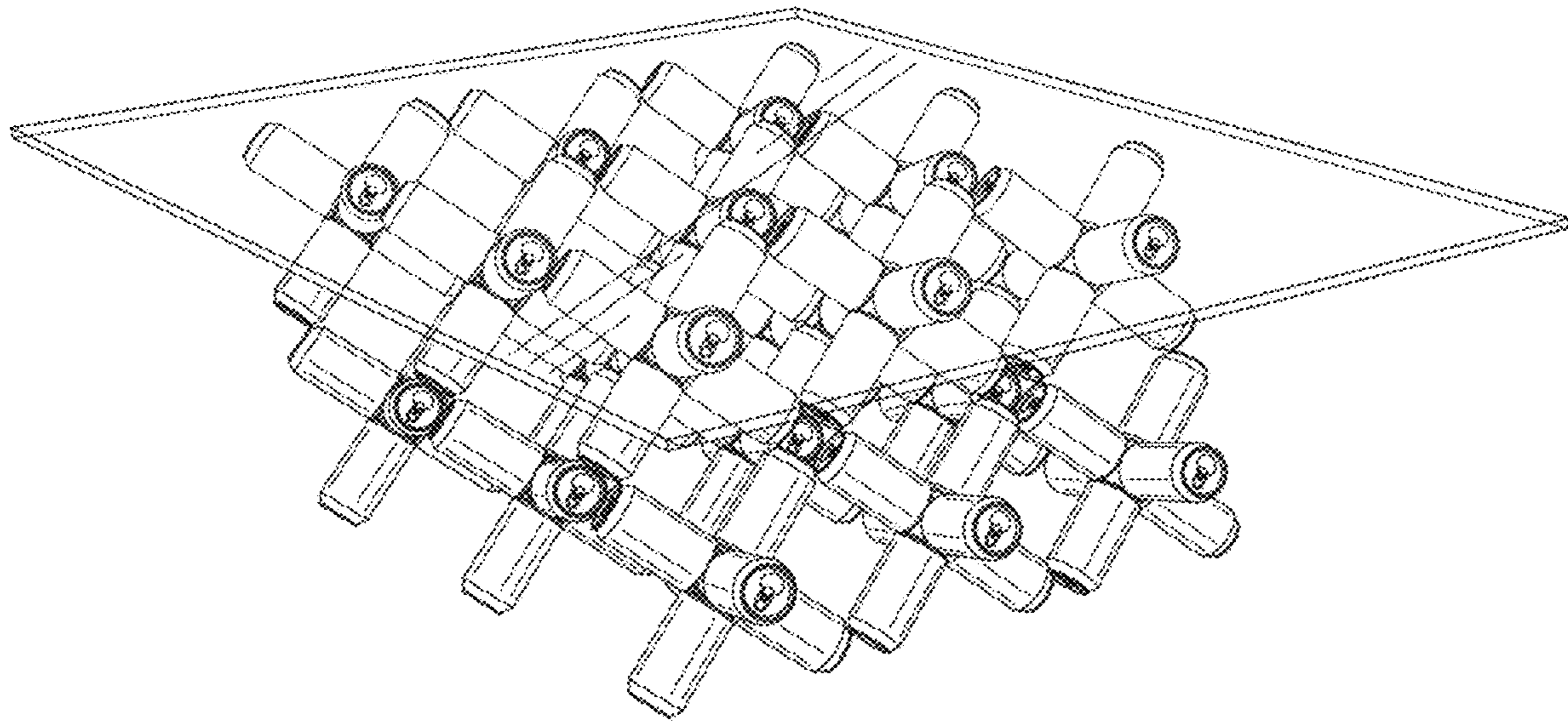


FIG. 1

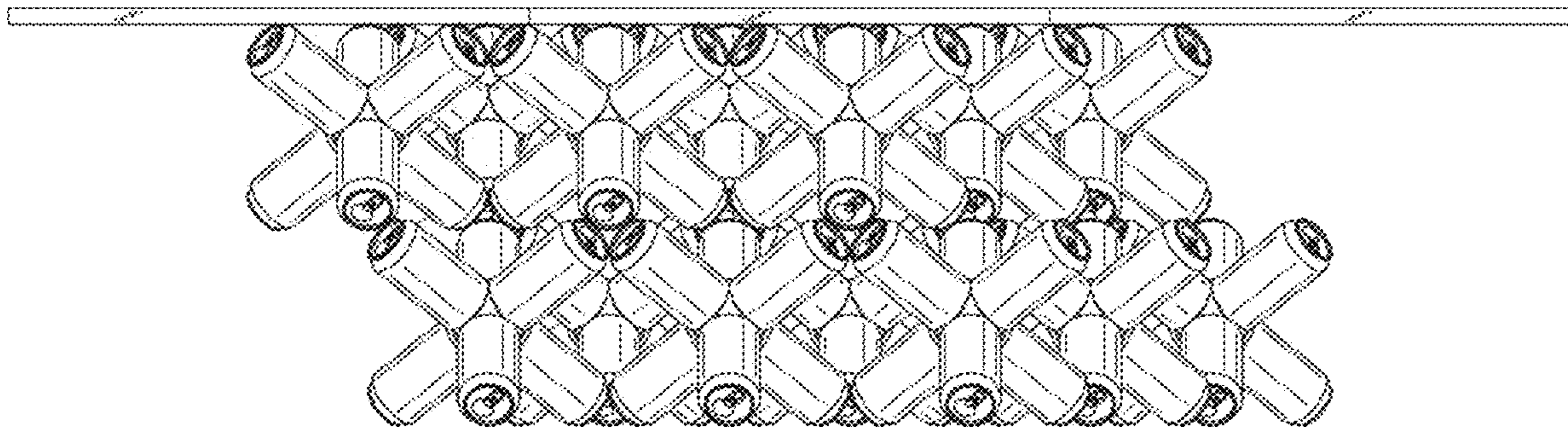


FIG. 2

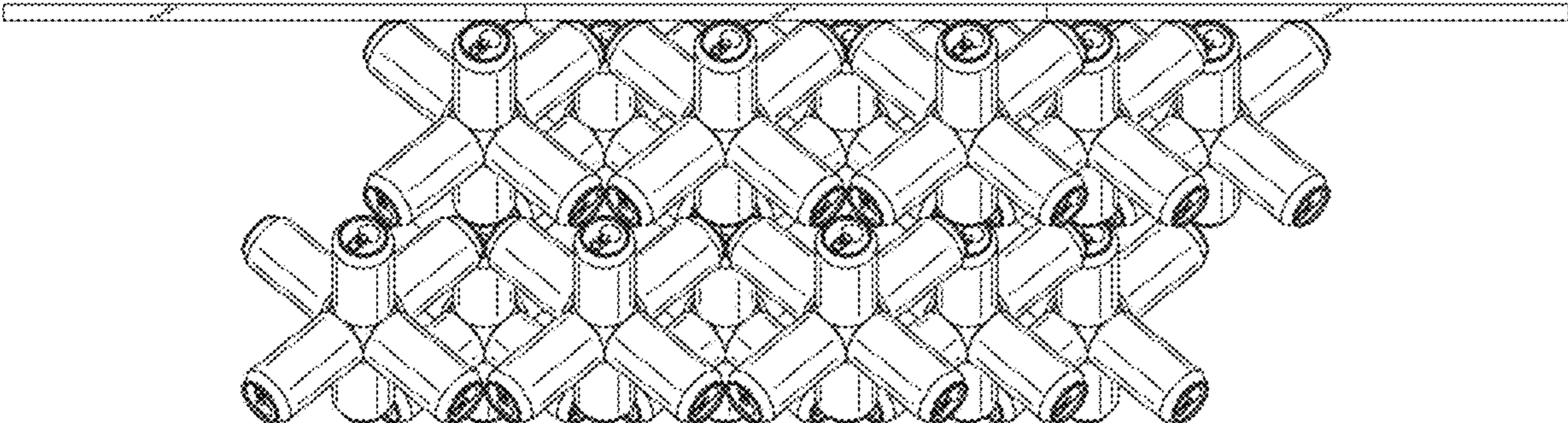


FIG. 3

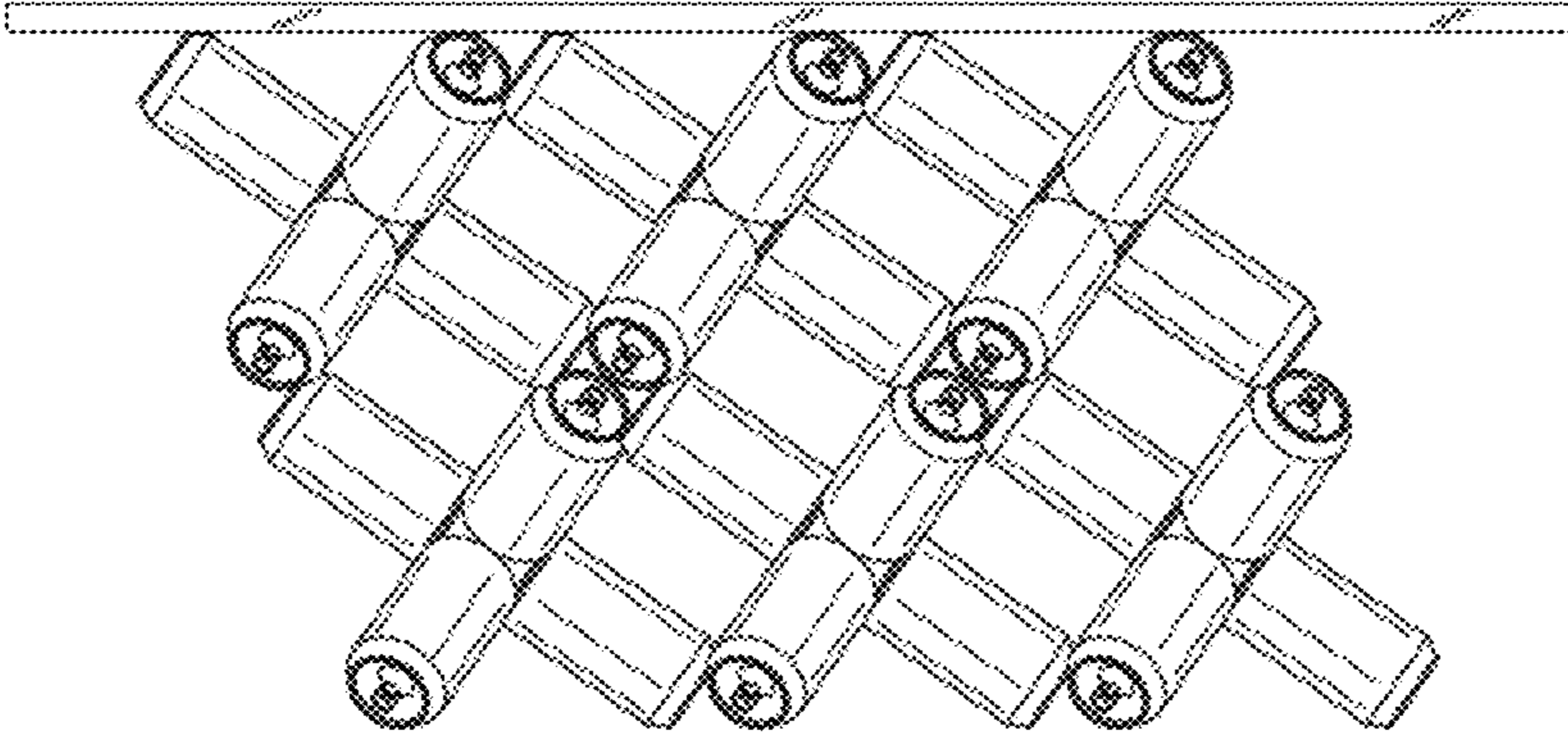


FIG. 4

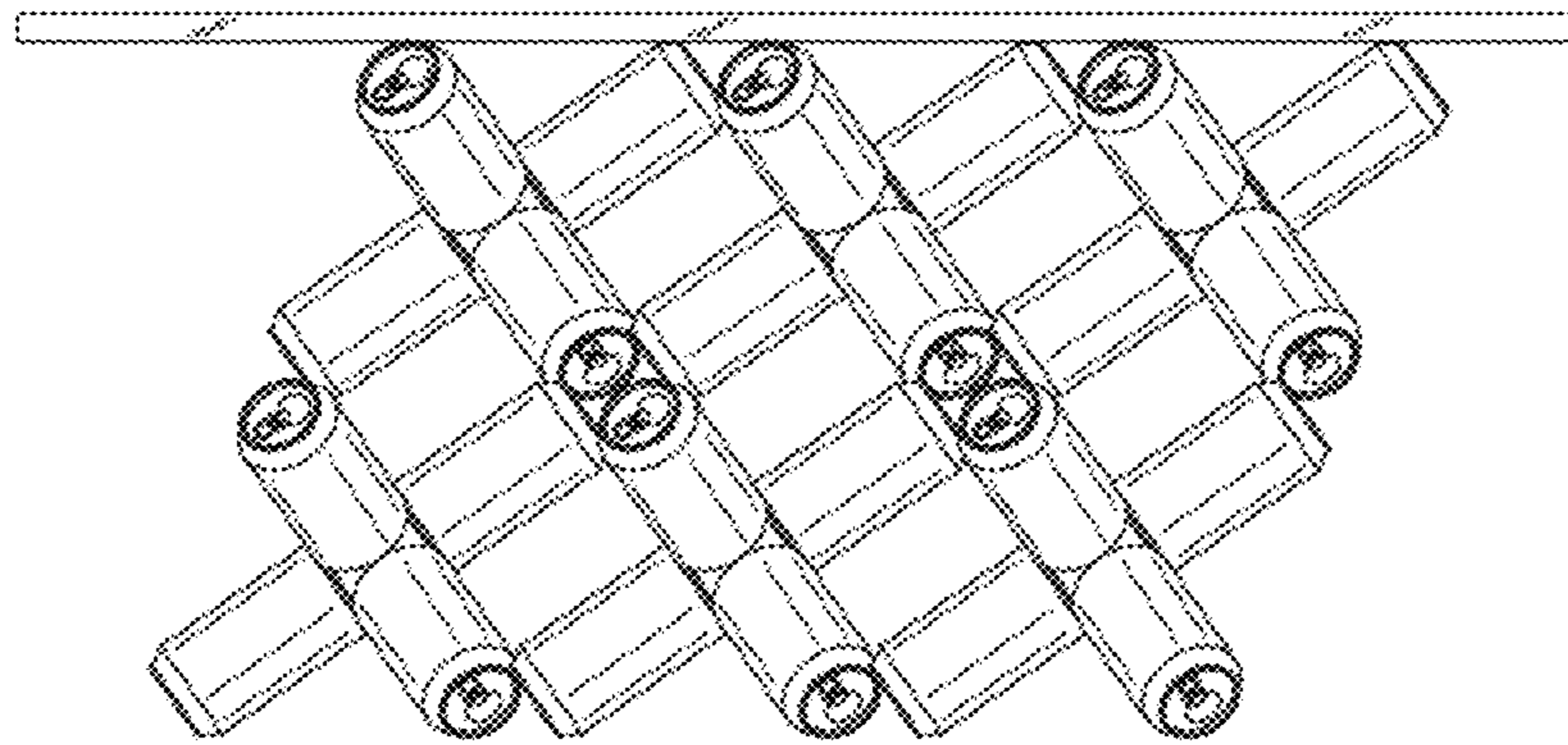


FIG. 5

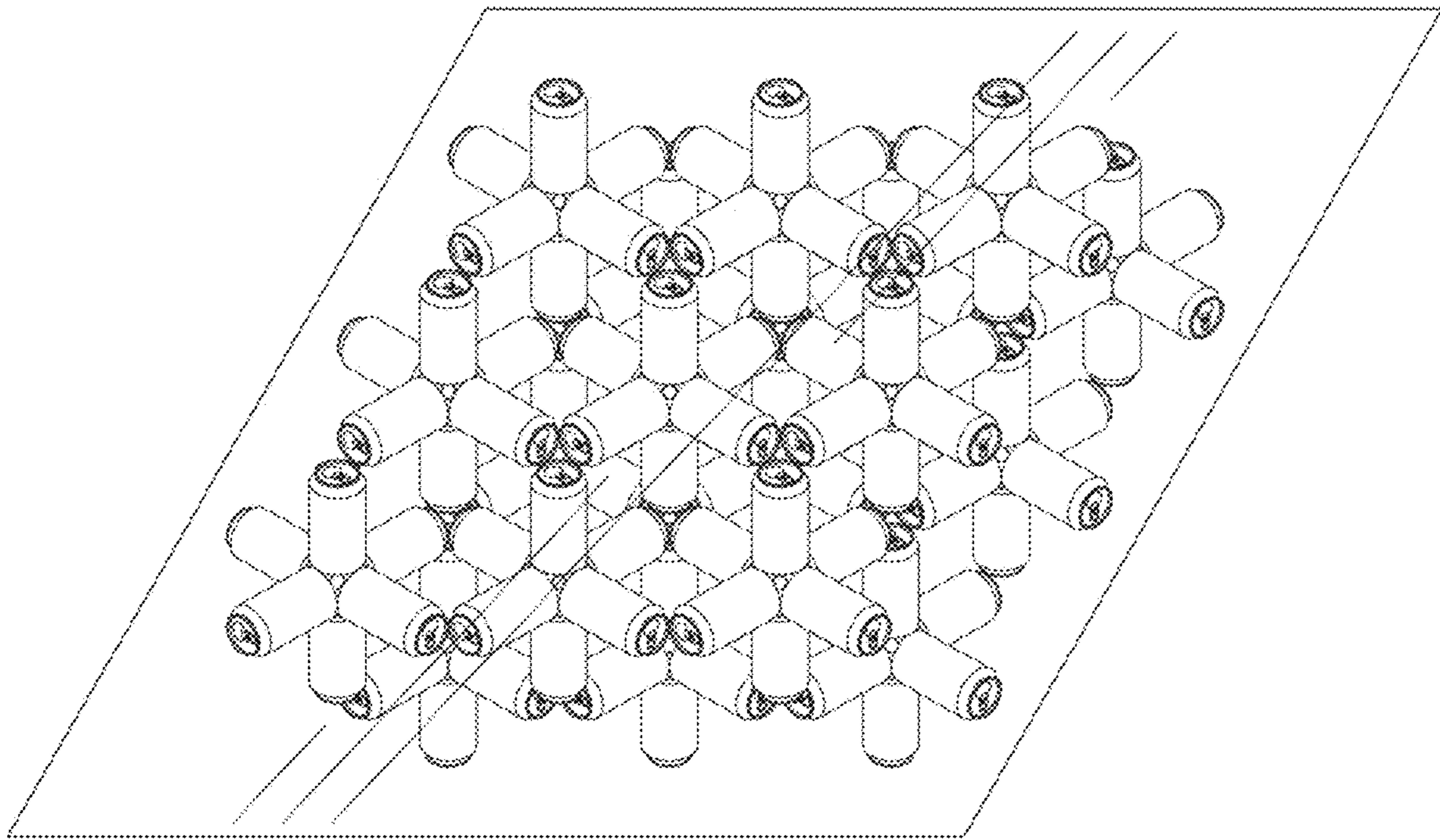


FIG. 6

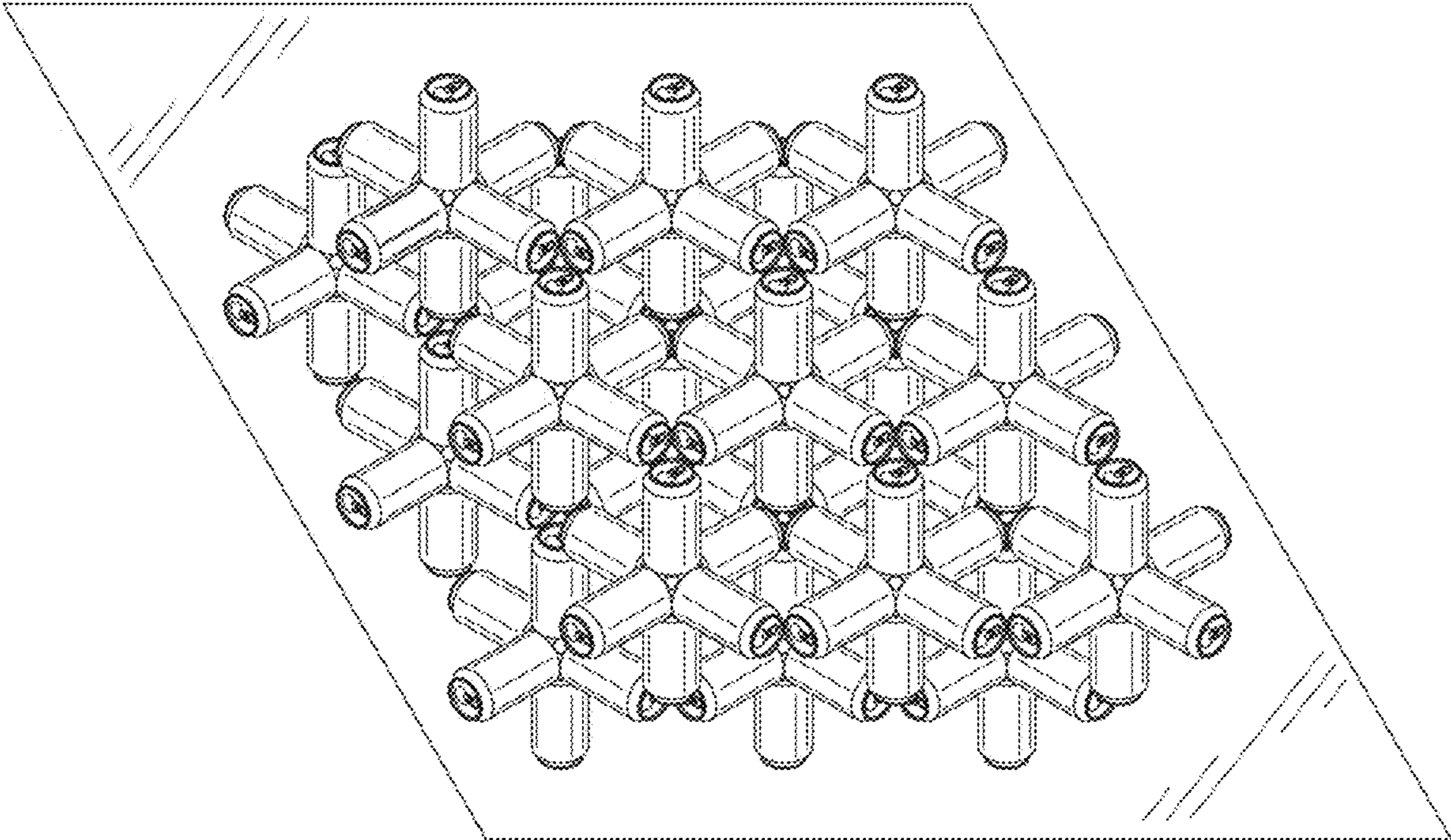


FIG. 7