



US00D876131S

(12) **United States Design Patent** (10) **Patent No.:** **US D876,131 S**
Dittrich et al. (45) **Date of Patent:** **** Feb. 25, 2020**

- (54) **RING BOWL**
- (71) Applicant: **Spectrum Diversified Designs, LLC**,
Streetsboro, OH (US)
- (72) Inventors: **Megan Dittrich**, Twinsburg, OH (US);
Aaron D. Goodman, Beachwood, OH (US)
- (73) Assignee: **Spectrum Diversified Designs, LLC**,
Streetsboro, OH (US)
- (**) Term: **15 Years**
- (21) Appl. No.: **29/628,936**
- (22) Filed: **Dec. 8, 2017**
- (51) **LOC (12) Cl.** **20-02**
- (52) **U.S. Cl.**
USPC **D6/682**
- (58) **Field of Classification Search**
USPC D6/682, 675, 672, 673, 674, 677, 680,
D6/680.1, 680.2, 680.3, 682.5, 683
CPC ... A45C 11/16; A47F 7/02; A47F 7/00; A47F
5/04; B65D 85/02; A44C 9/0092; A44C
15/003
See application file for complete search history.

(56) **References Cited**

U.S. PATENT DOCUMENTS

D115,710 S *	7/1939	Hammonds	132/333
2,410,018 A *	10/1946	D Arcy	D04B 3/06 242/139
D220,230 S *	3/1971	Friedman	D28/93
D354,869 S *	1/1995	Salyer	D6/680
D394,918 S *	6/1998	Gillmore	D28/73
6,854,609 B1 *	2/2005	Hettinger	A47F 7/0071 211/85.4
D610,370 S *	2/2010	Quan	D6/681.3
2009/0072680 A1 *	3/2009	Hofherr	A45C 11/16 312/135
2010/0277893 A1 *	11/2010	MacAlister	A47F 7/00 362/101

2010/0300900 A1 *	12/2010	Quan	A45C 11/16 206/6.1
2013/0168342 A1 *	7/2013	Yatscoff	A47F 7/02 211/85.2
2018/0199685 A1 *	7/2018	Schafer	A45C 11/16

OTHER PUBLICATIONS

Cora Ring Holder, posted © 1999-2019 [online], retrieved May 9, 2019, retrieved from internet, <https://morestorage.com/cora-ring-holder-p-3917.html>.*
Cora Ring Holder, posted © 2019 [online], retrieved May 9, 2019, retrieved from internet, <https://www.spectrumdiversified.com/products/cora-ring-holder>.*
Lenox Bridal Adorn Ring Holder, [online], [retrieved on Nov. 1, 2017]. Retrieved from Internet, <URL: https://www.amazon.com/Lenox-Bridal-Adorn-Ring-Holder/dp/B00BTFFCC6/ref=sr_1_1?ie=UTF8&qid=1509717141&sr=8-1&keywords=LENOX+BRIDAL+RING&dpID=41XD-ni5WWL&preST=_SX300_QL70_&dpSrc=srch>.

* cited by examiner

Primary Examiner — Barbara Fox
Assistant Examiner — Messina L Smith
(74) *Attorney, Agent, or Firm* — Renner, Otto, Boisselle and Sklar, LLP

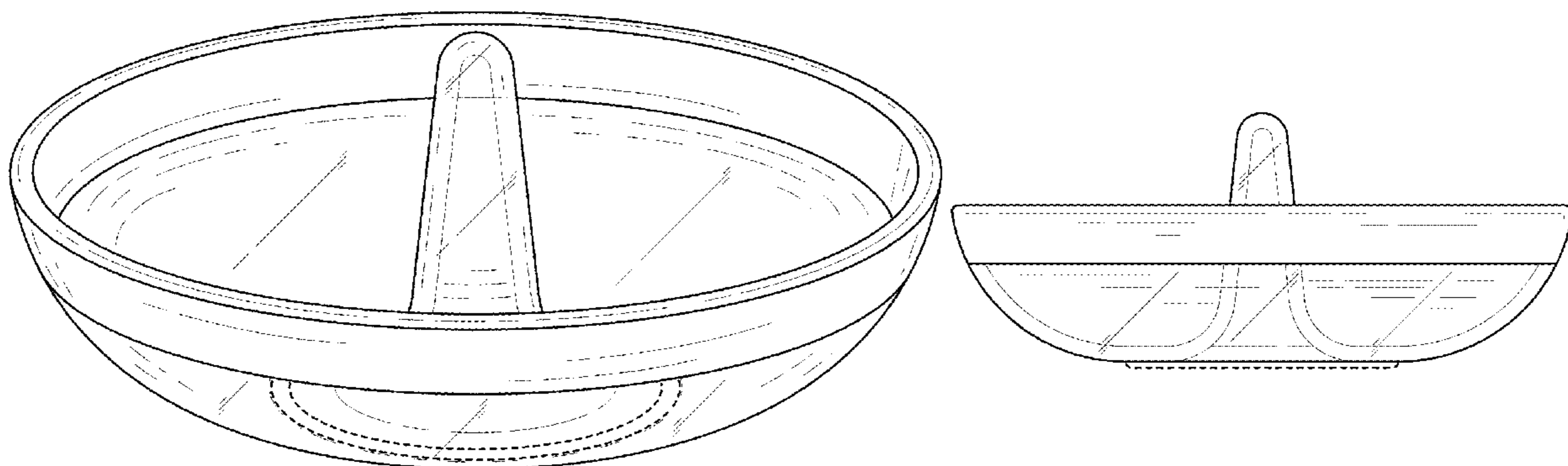
(57) **CLAIM**

The ornamental design for a ring bowl, as shown and described.

DESCRIPTION

FIG. 1 is a top, front perspective view of a ring bowl showing our new design;
FIG. 2 is a front elevation view thereof, the rear elevation view being identical;
FIG. 3 is a left side elevation view thereof, the right side elevation view being identical;
FIG. 4 is a top plan view thereof; and,
FIG. 5 is a bottom plan view thereof.
The broken lines shown in the drawings depict portions of the ring bowl that form no part of the claimed design.

1 Claim, 3 Drawing Sheets



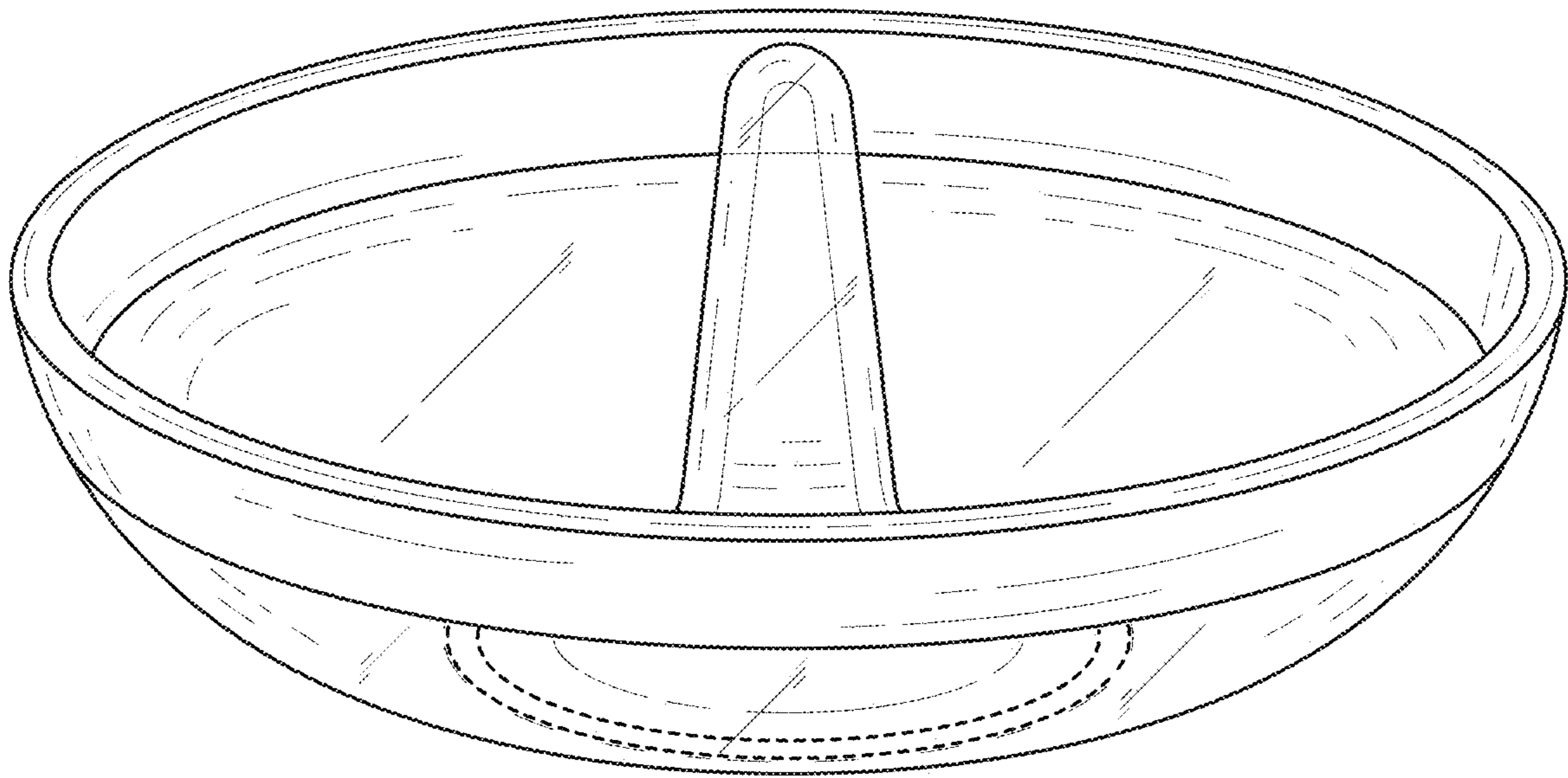


FIG. 1

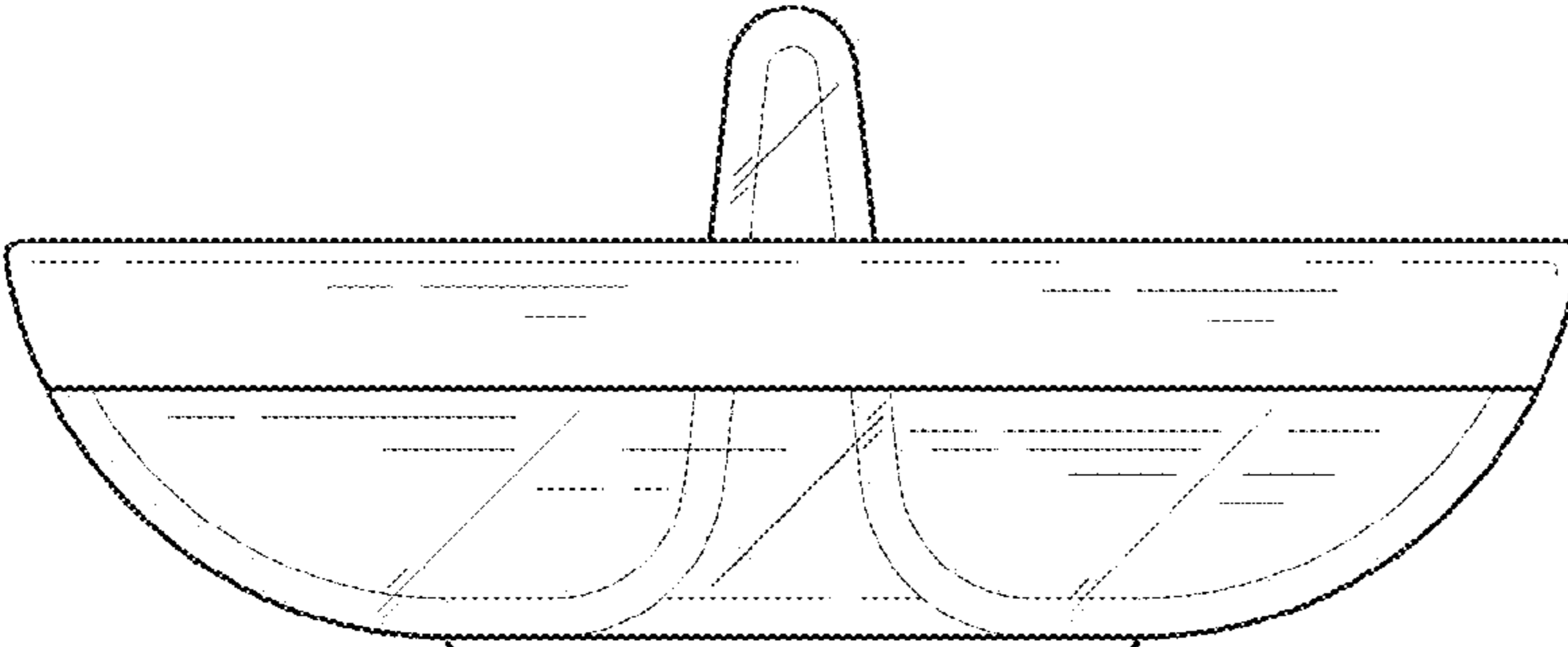


FIG. 2

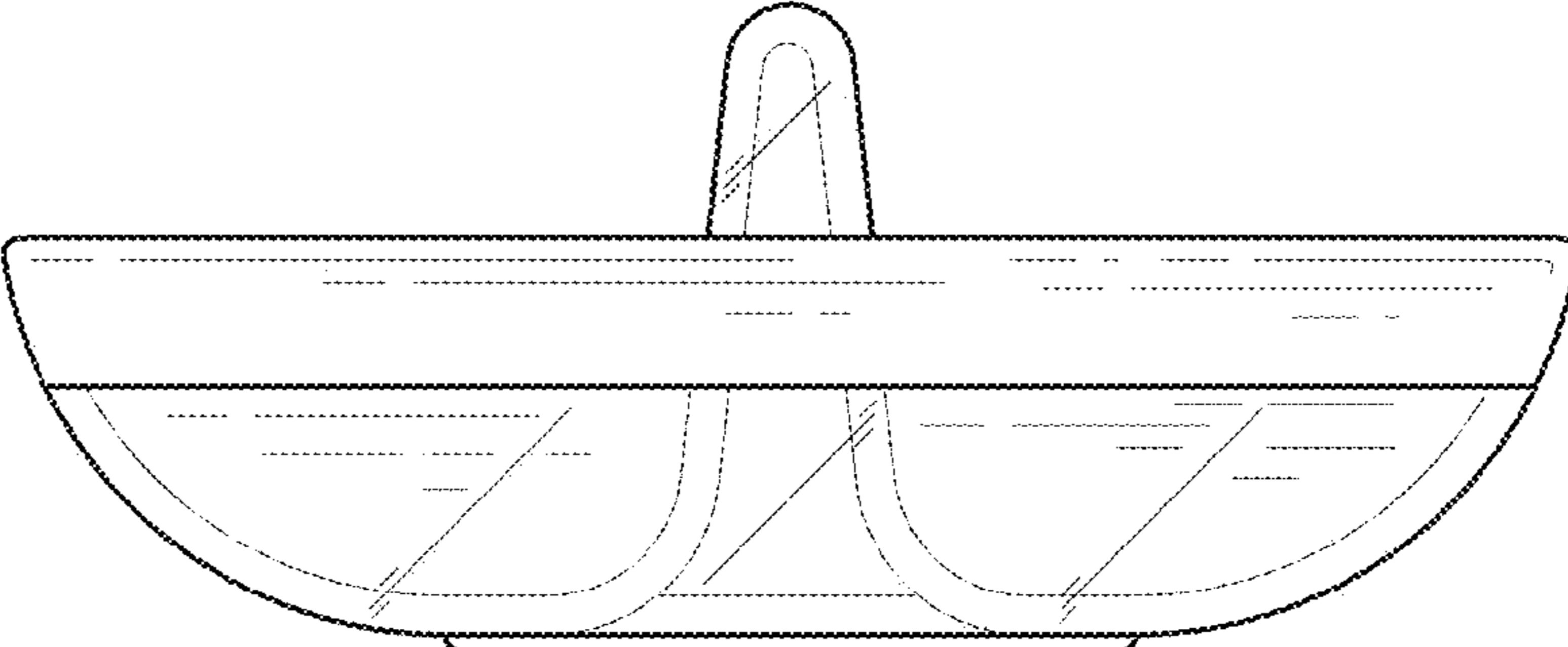


FIG. 3

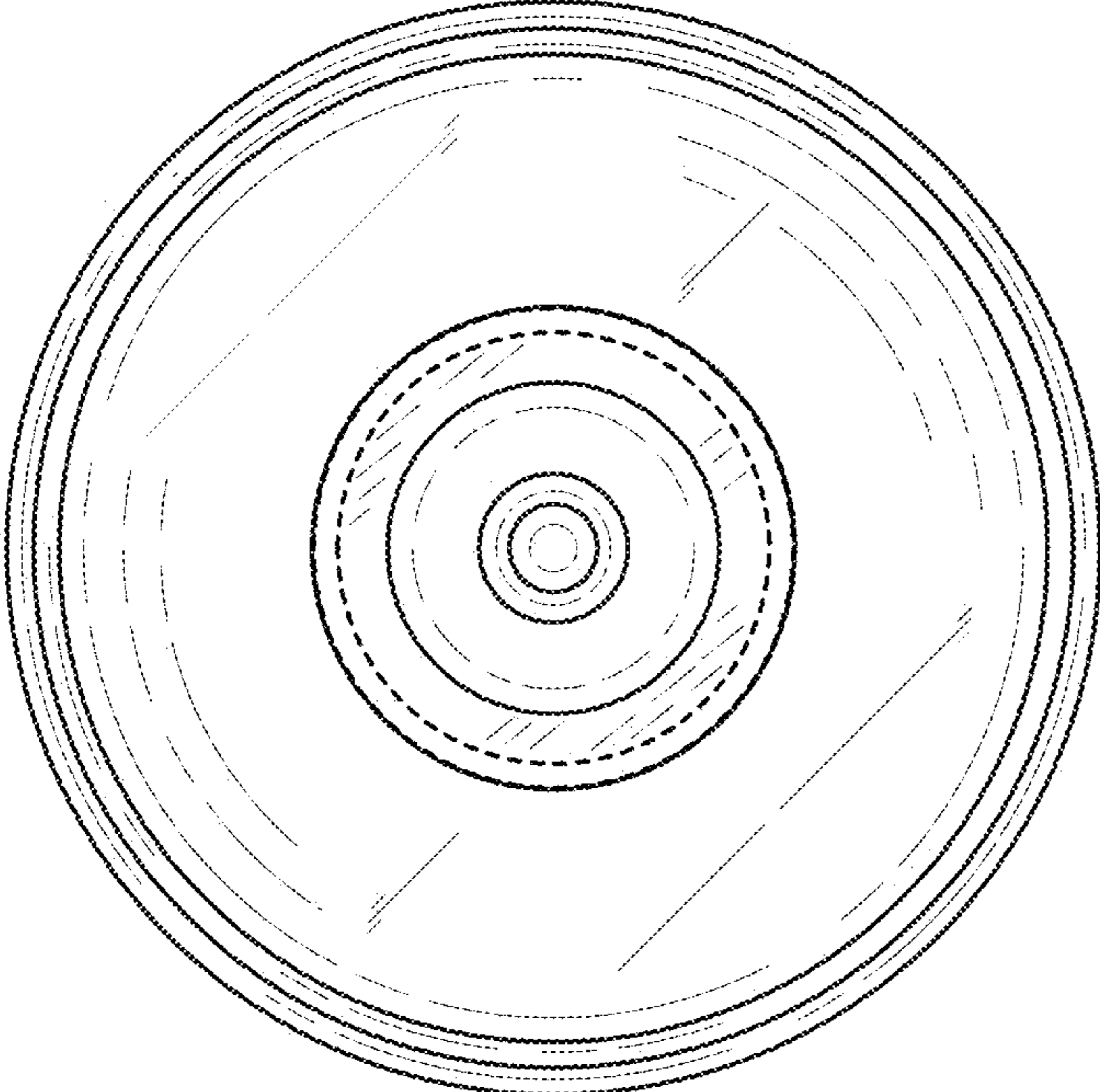


FIG. 4

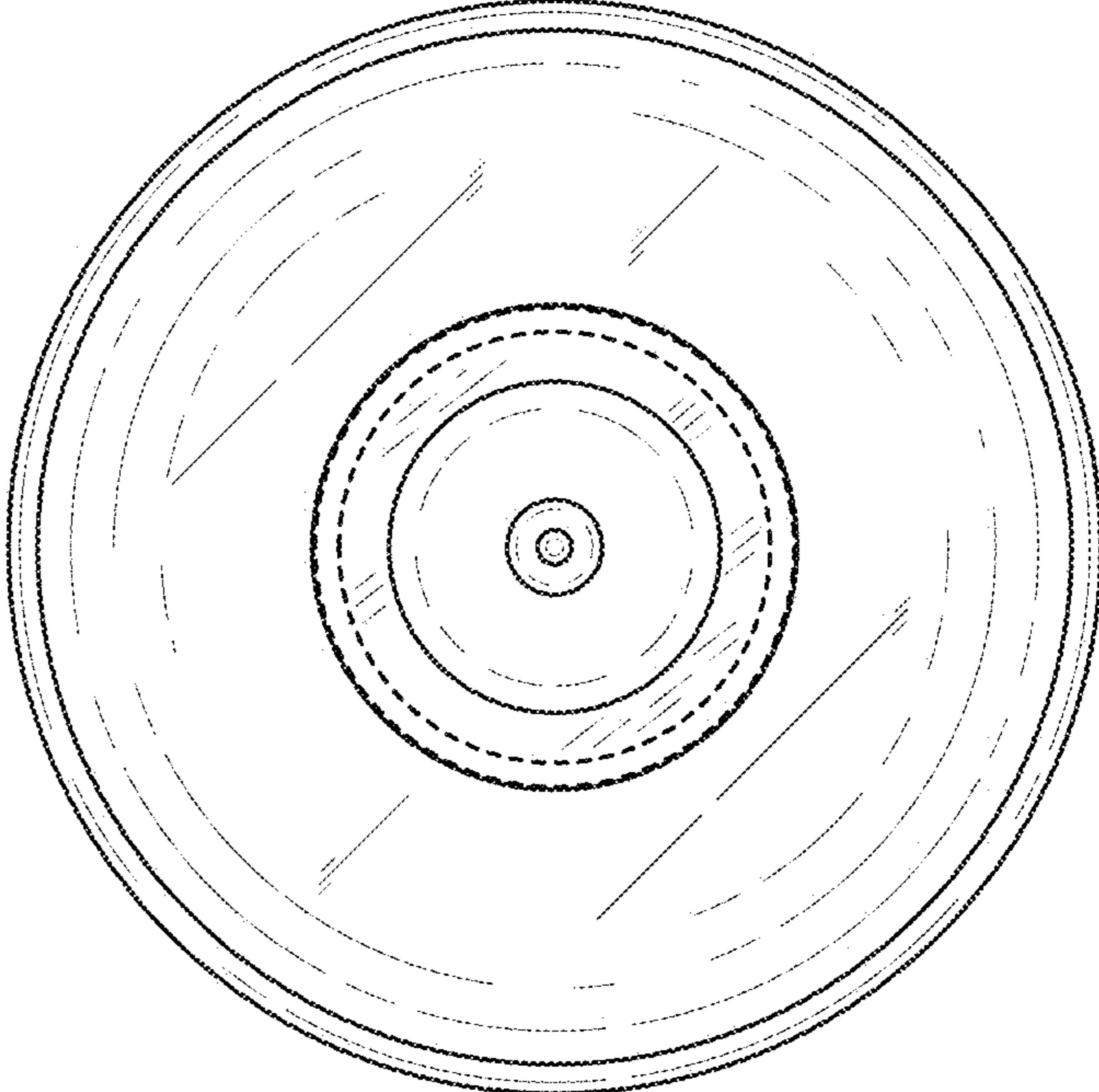


FIG. 5