

US00D876130S

(12) **United States Design Patent**  
**Dash et al.**

(10) **Patent No.:** **US D876,130 S**  
(45) **Date of Patent:** **\*\* Feb. 25, 2020**

(54) **TABLE**

(71) Applicant: **StoreBound LLC**, New York, NY (US)

(72) Inventors: **Evan Dash**, Port Washington, NY (US);  
**Yiyang Zhang**, Tainan (TW); **Defang Chen**, Shenzhen (CN); **Xiqing Zhong**, Dongguan (CN); **Yijun Wang**, Dongguan (CN)

(73) Assignee: **STOREBOUND LLC**, New York, NY (US)

(\*\*) Term: **15 Years**

(21) Appl. No.: **29/639,383**

(22) Filed: **Mar. 6, 2018**

(51) **LOC (12) Cl.** ..... **06-04**

(52) **U.S. Cl.**  
USPC ..... **D6/671**

(58) **Field of Classification Search**  
USPC ..... D6/512, 553, 559, 657, 659, 660, 661, D6/662, 663, 667, 669, 671, 671.1, 672, D6/673, 675, 682, 682.3, 683.1, 694  
CPC ..... A47B 46/00; A47B 47/00; A47B 47/02; A47B 47/021; A47B 47/022; A47B 47/04; A47B 55/00; A47B 67/00; A47B 67/02; A47B 67/04; A47B 83/04; A47B 7/00; A47B 81/00; A47B 81/007; A47B 81/02; A47F 3/00; A47F 3/005  
See application file for complete search history.

(56) **References Cited**

**U.S. PATENT DOCUMENTS**

3,572,873 A 3/1971 Harting, Jr.  
3,732,702 A 5/1973 Desch  
D233,292 S \* 10/1974 Davis ..... D6/671.1  
D237,415 S \* 10/1975 Rosen ..... D14/184  
D267,532 S \* 1/1983 Platner ..... D6/671.1  
4,571,740 A 2/1986 Kirby et al.

4,939,912 A 7/1990 Leonovich, Jr.  
5,235,822 A 8/1993 Leonovich, Jr.  
D364,064 S \* 11/1995 Lorenz ..... D6/559  
6,484,512 B1 11/2002 Anderson et al.  
6,715,299 B2 4/2004 Kim et al.  
6,769,260 B2 8/2004 Lee et al.  
7,418,747 B1 9/2008 Myers  
7,519,195 B2 4/2009 Hesketh  
7,744,252 B2 6/2010 Maxik  
D622,976 S \* 9/2010 Lovegrove ..... D6/671.1  
D669,704 S 10/2012 Zambelli  
8,506,023 B2 8/2013 Goldie  
8,517,478 B2 8/2013 Diemel et al.  
D701,404 S 3/2014 Thompson

(Continued)

**OTHER PUBLICATIONS**

References cited in corresponding U.S. Appl. No. 15/951,852 in Non-Final Office Action dated Sep. 27, 2018. US.

(Continued)

*Primary Examiner* — R. Johnson  
(74) *Attorney, Agent, or Firm* — Belles Katz LLC

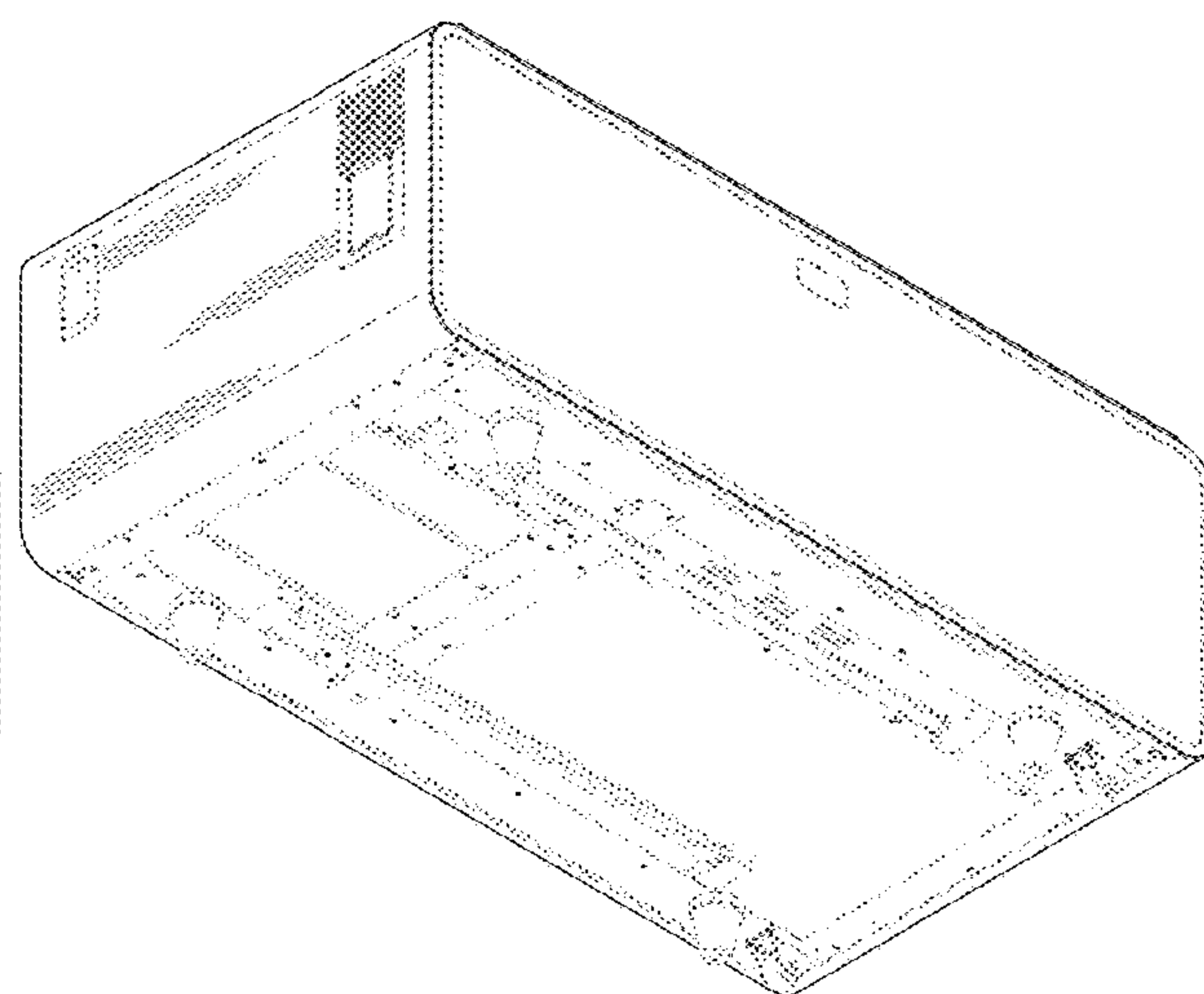
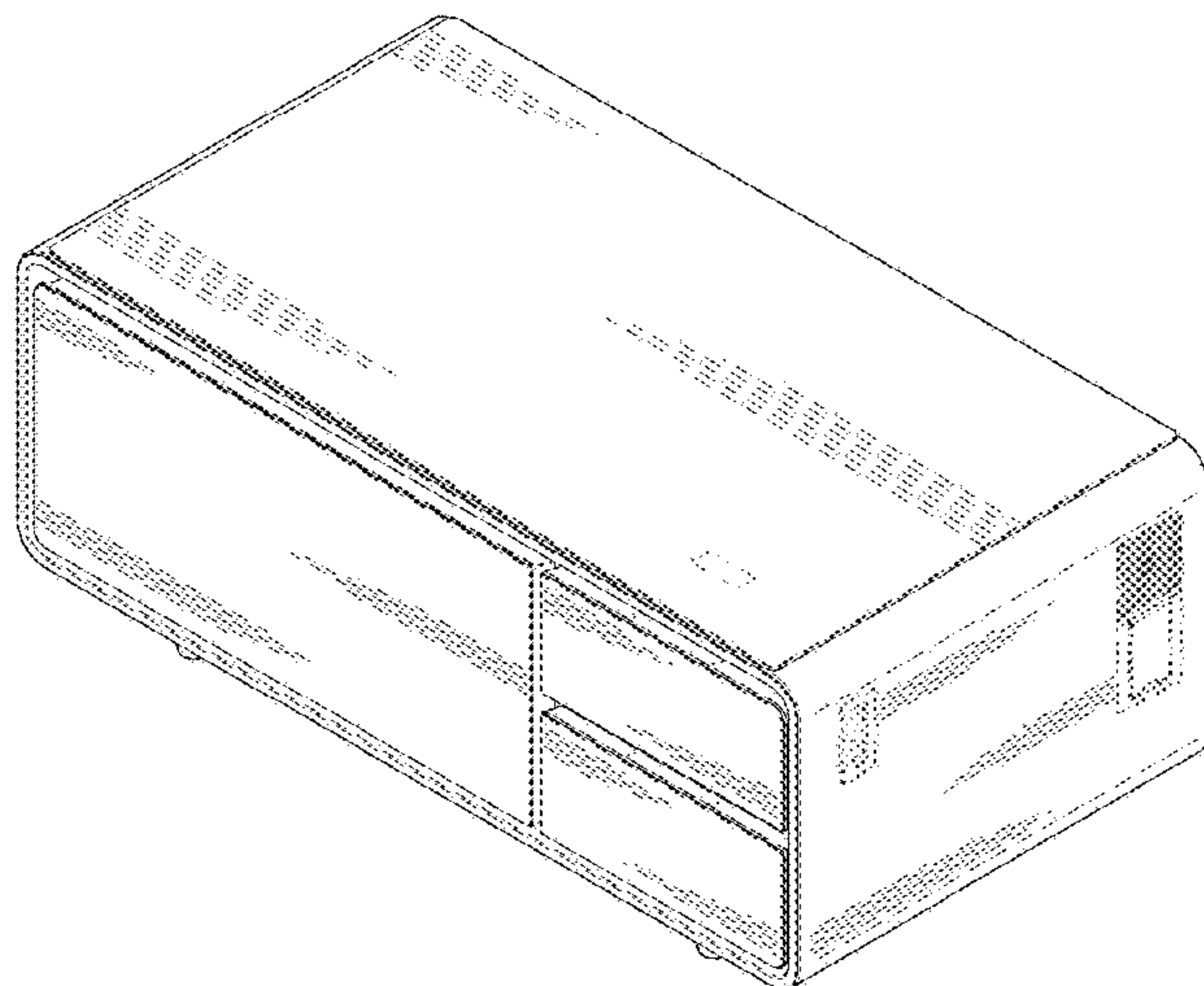
(57) **CLAIM**

We claim the ornamental design for a table, as shown and described.

**DESCRIPTION**

FIG. 1 is a front top perspective view of a table showing our new design;  
FIG. 2 is a rear bottom perspective view thereof;  
FIG. 3 is a front view thereof;  
FIG. 4 is a rear view thereof;  
FIG. 5 is a right-side view thereof;  
FIG. 6 is a left-side view thereof;  
FIG. 7 is a top view thereof; and,  
FIG. 8 is a bottom view thereof.  
The broken lines in the figures illustrate portions of the article that form no part of the claimed design.

**1 Claim, 7 Drawing Sheets**



(56)

**References Cited**

U.S. PATENT DOCUMENTS

D728,975 S \* 5/2015 Park ..... D6/657  
9,124,308 B2 9/2015 Metcalf  
D752,905 S 4/2016 Healy et al.  
D772,588 S 11/2016 Kim  
D781,620 S \* 3/2017 Curthelet ..... D6/671  
D785,983 S 5/2017 Denby et al.  
D787,238 S \* 5/2017 Miller ..... D6/657  
9,722,449 B2 8/2017 Jung  
9,970,651 B2 5/2018 Wang et al.  
10,037,673 B1 7/2018 Gray et al.  
10,212,519 B2 2/2019 Nelson et al.  
2008/0203868 A1 8/2008 LeClear et al.  
2012/0091797 A1 4/2012 Kesler et al.  
2015/0320203 A1 11/2015 Mandon et al.  
2016/0049034 A1 2/2016 Stradiota  
2017/0258223 A1 9/2017 Stamper  
2018/0014097 A1 1/2018 Lin  
2018/0191178 A1 7/2018 Byrne et al.  
2018/0295986 A1 \* 10/2018 Dash ..... A47B 31/02

OTHER PUBLICATIONS

Website: <https://www.overstock.com/Home-Garden/Furniture-of-America-Knox-Espresso-Wood-Storage-Box-Coffee-Table/6237346/product.html>. Printed May 21, 2018. US.

Website: <https://designbuzz.com/thunder-table-a-mighty-speaker-masked-as-a-coffee-table/>. Printed May 21, 2018. US.

\* cited by examiner

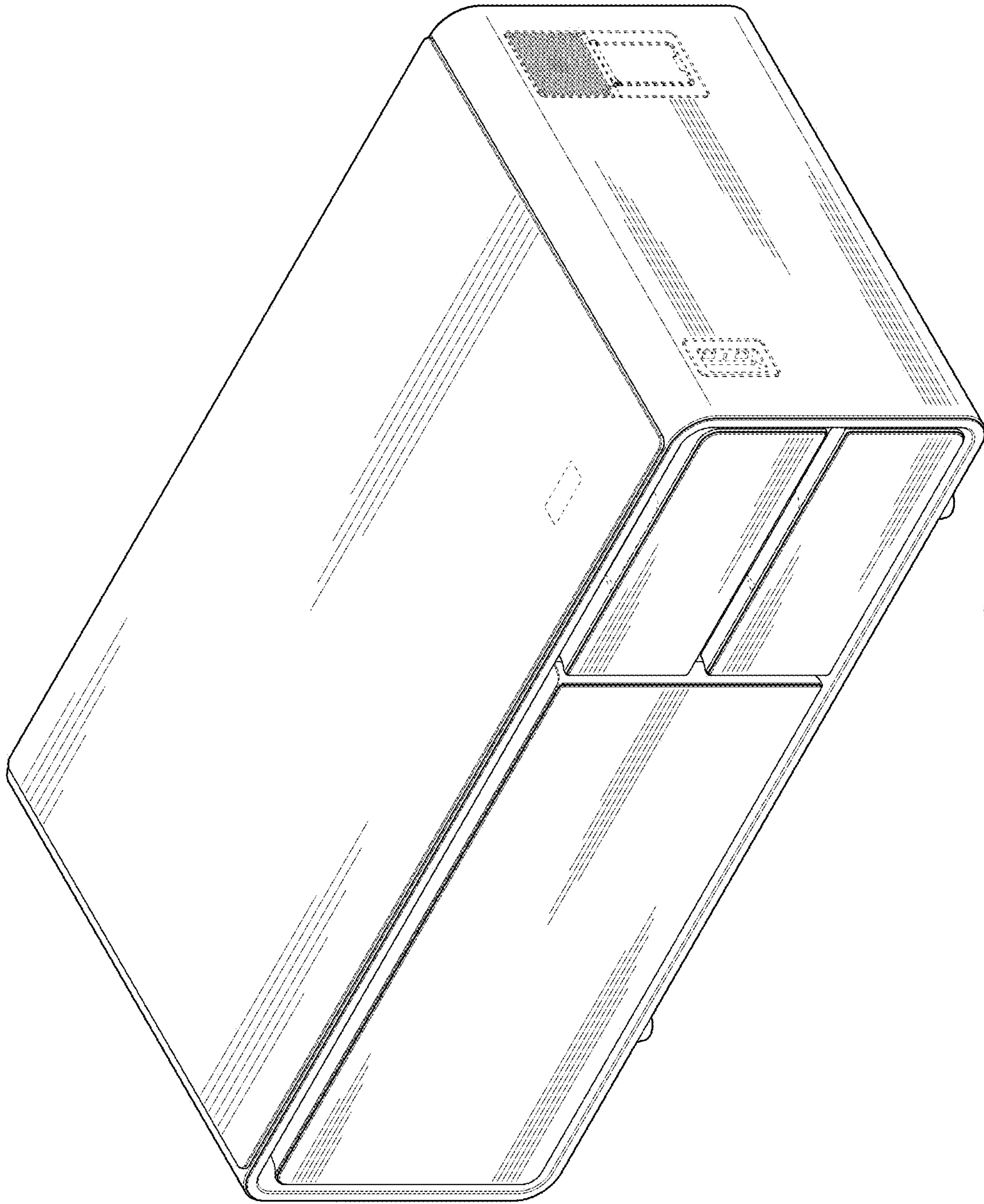


FIG. 1



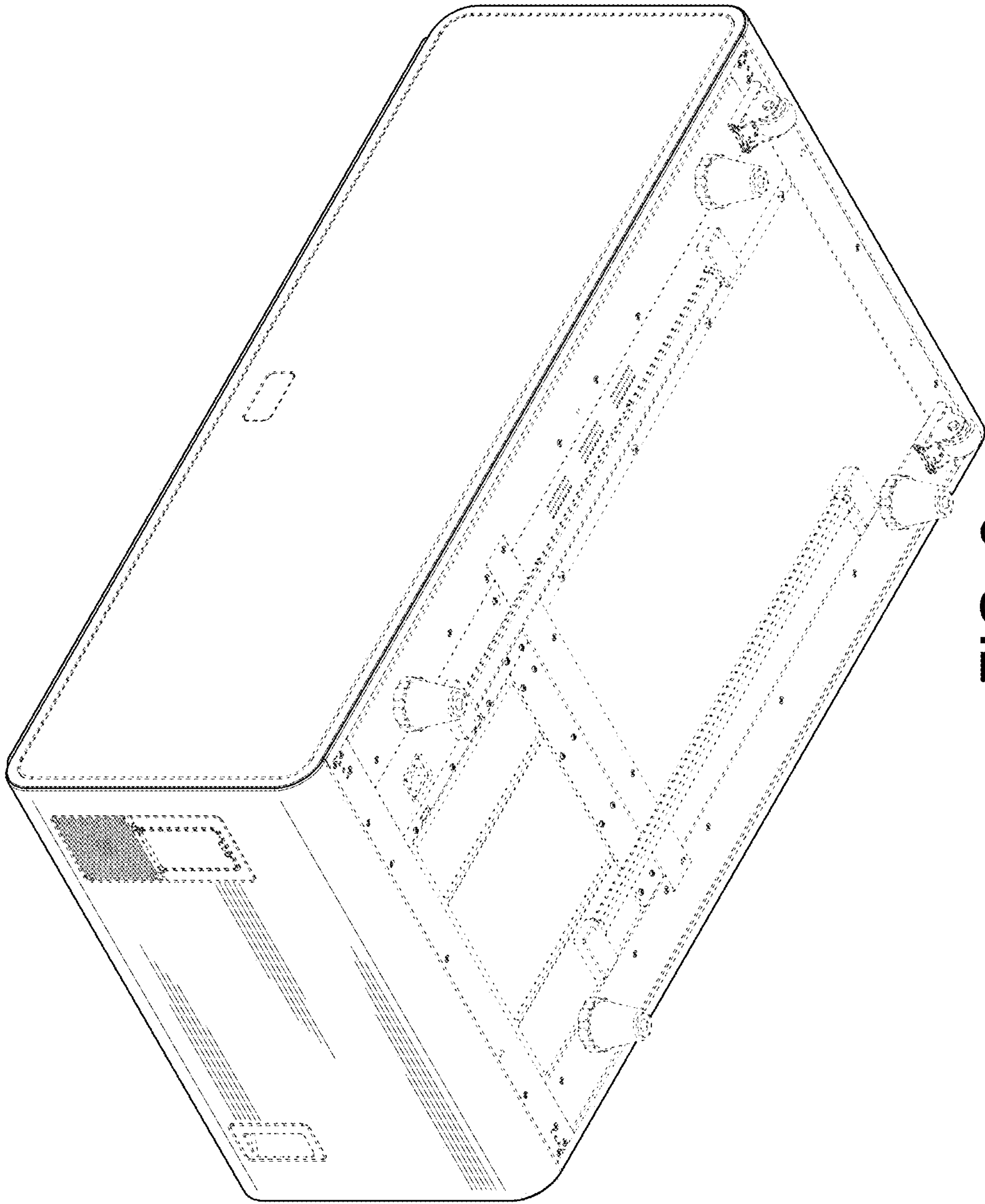


FIG. 2

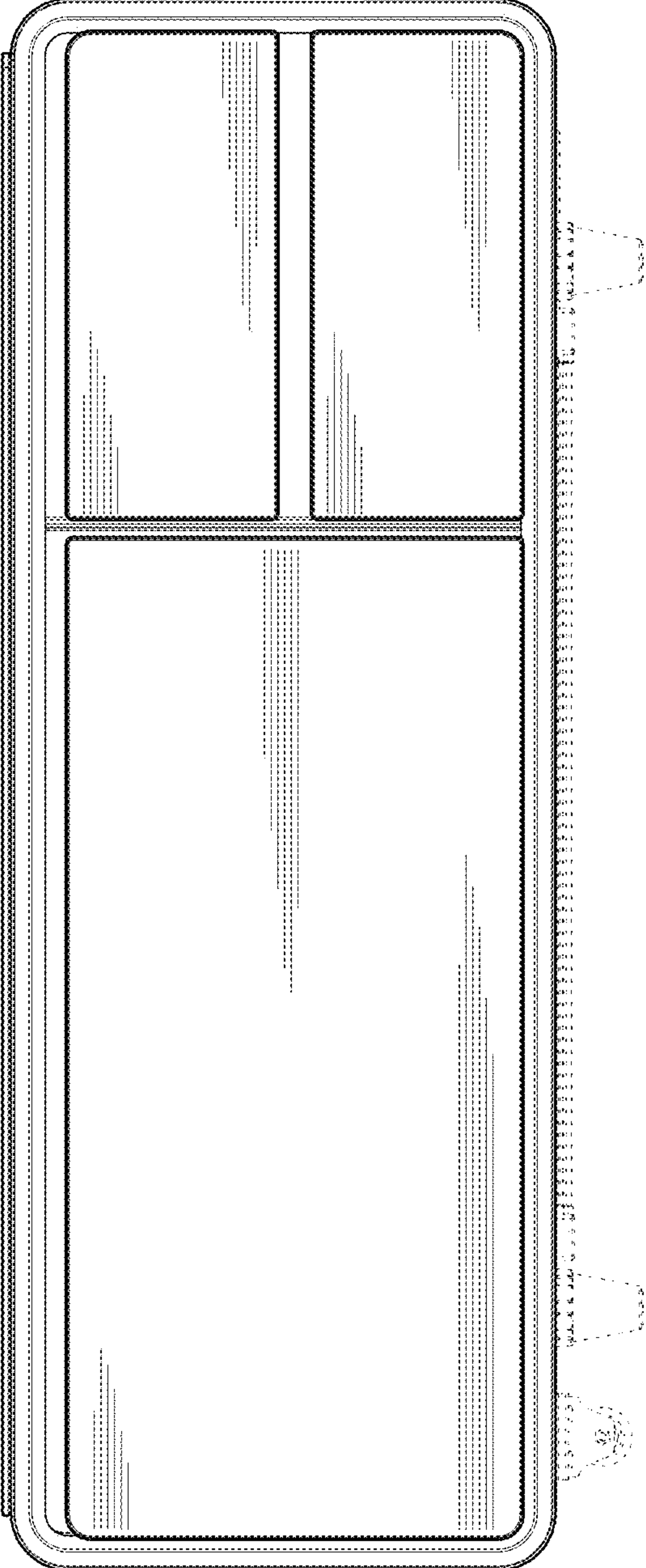


FIG. 3

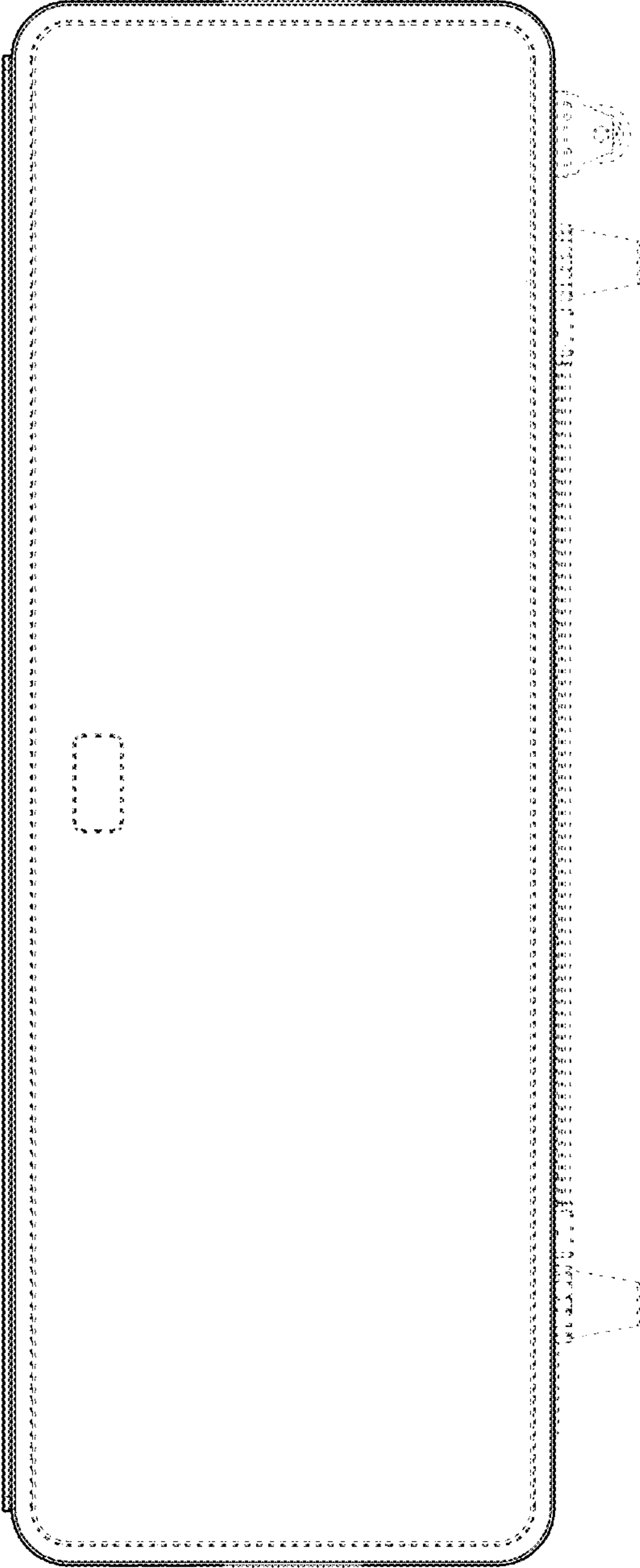


FIG. 4

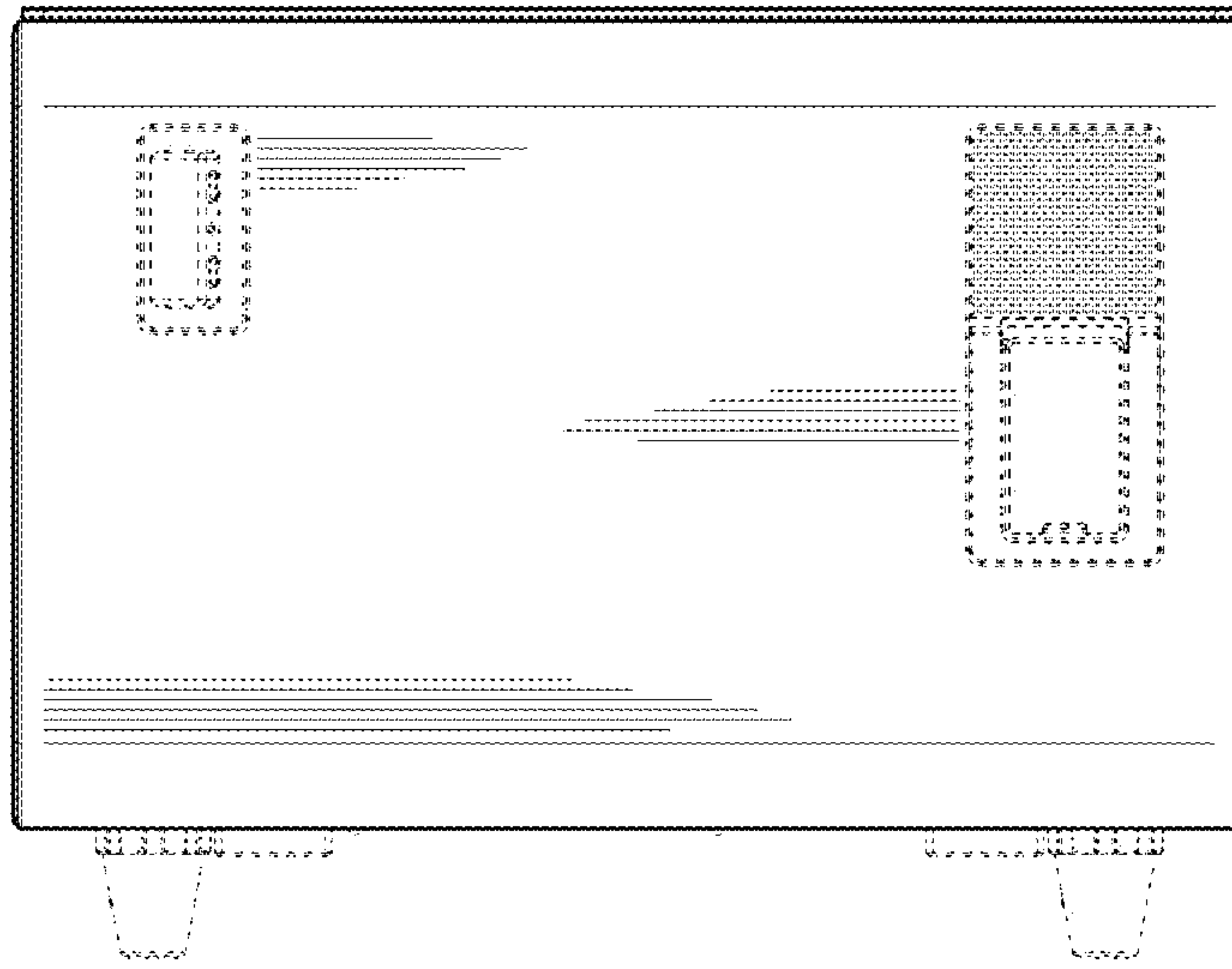


FIG. 5

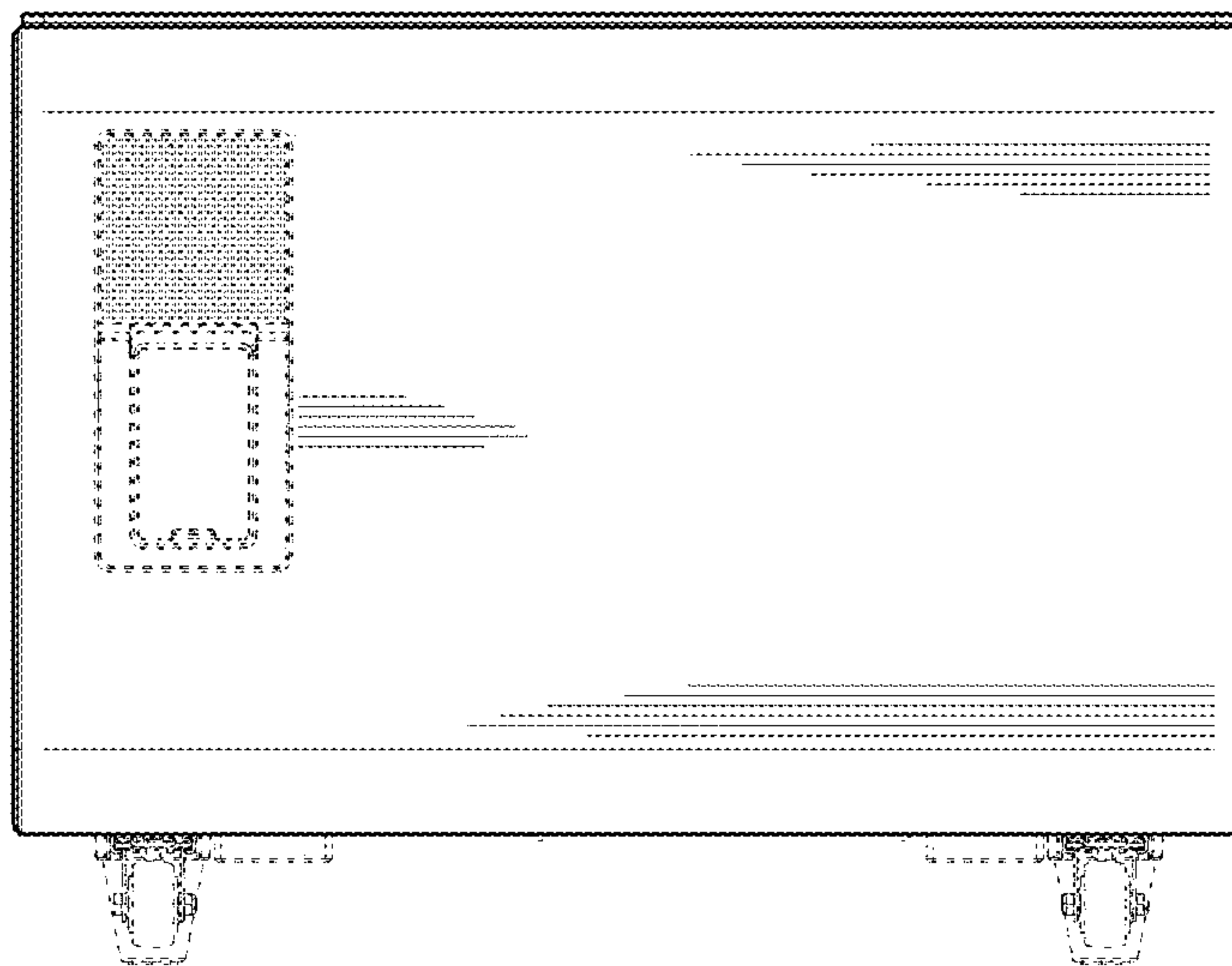


FIG. 6

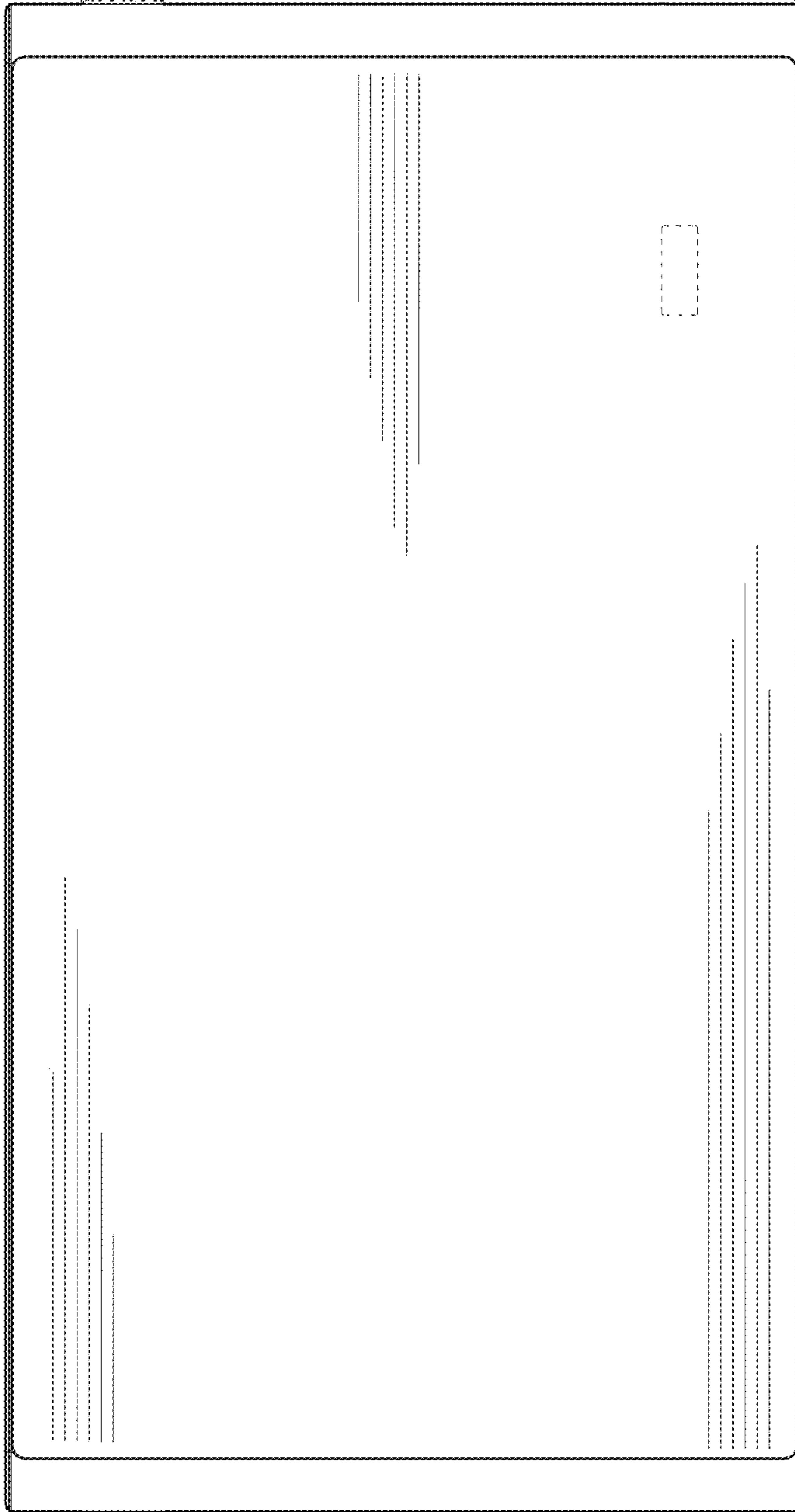


FIG. 7



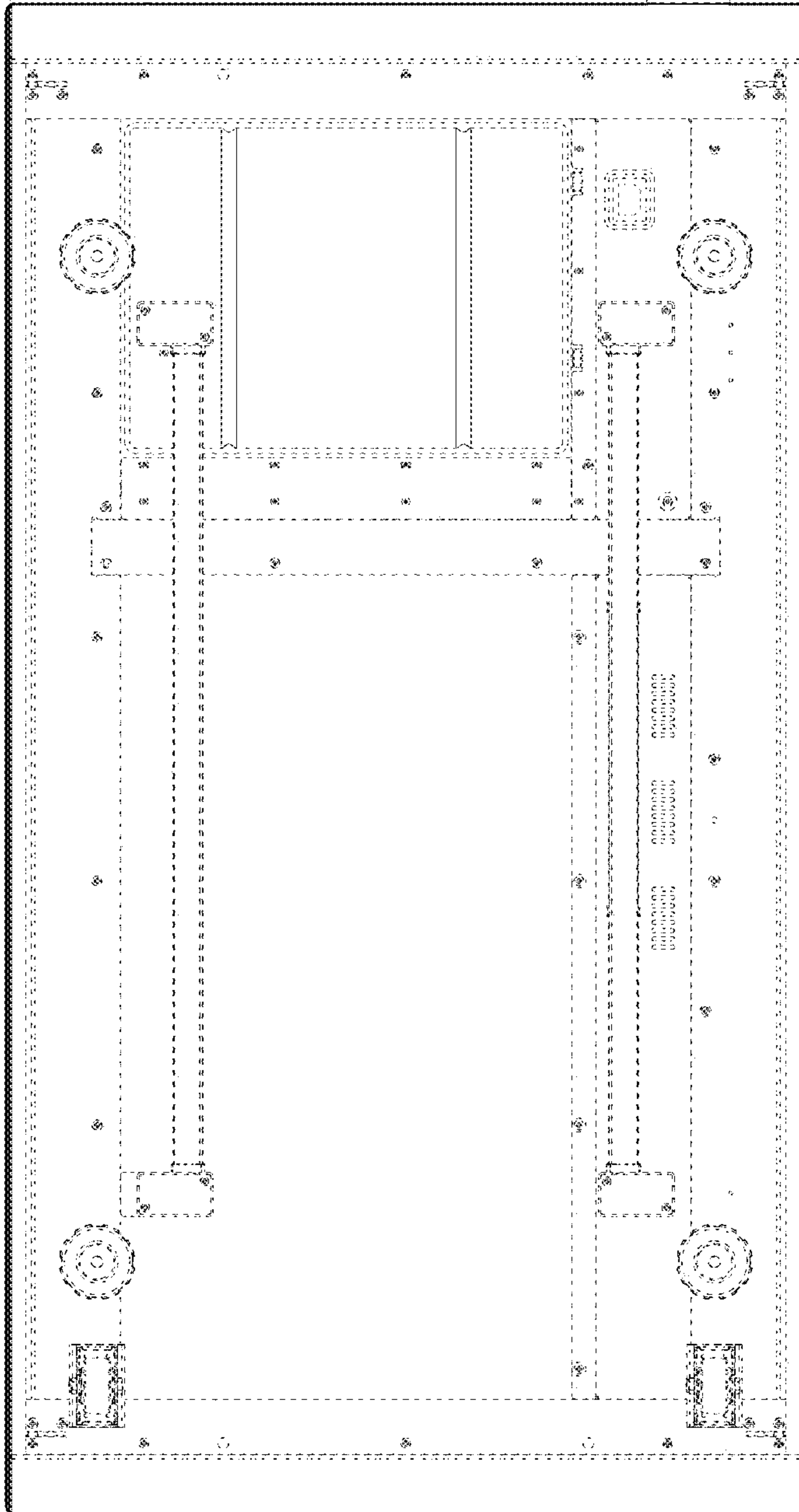


FIG. 8