



US00D876128S

(12) **United States Design Patent** (10) **Patent No.:** **US D876,128 S**
Anchors, Jr. (45) **Date of Patent:** **** Feb. 25, 2020**

(54) **TOWEL SEAT COVER**

(71) Applicant: **Run's Done, LLC**, Cumming, GA (US)

(72) Inventor: **Jerry K. Anchors, Jr.**, Cumming, GA (US)

(73) Assignee: **Run's Done, LLC**, Cumming, GA (US)

(**) Term: **15 Years**

(21) Appl. No.: **29/636,566**

(22) Filed: **Feb. 9, 2018**

(51) **LOC (12) Cl.** **06-13**

(52) **U.S. Cl.**
USPC **D6/611; D6/608**

(58) **Field of Classification Search**

USPC D6/333, 601-603, 608-616, 715, 715.1, D6/715.2, 716.1; D12/202, 203, 401, D12/416, 425; D14/239, 450; D3/304; D19/10; D7/388, 550.1; D25/138, 157, D25/158; D30/161; D32/55, 57; D24/213

CPC A47C 31/10; A47C 31/11; A47C 7/386; A47C 7/42; B60N 2/58; B60N 2/60; B60N 2/6009; B60N 2/6036; B60N 2/663

See application file for complete search history.

(56) **References Cited**

U.S. PATENT DOCUMENTS

348,782 A * 9/1886 Sawyer E04F 15/10 52/177
1,444,014 A 2/1923 Truesdell
(Continued)

FOREIGN PATENT DOCUMENTS

DE 202010004666 8/2010
DE 102011087172 5/2012

(Continued)

OTHER PUBLICATIONS

alibaba.com; Article entitled: "New Microfiber Suede Non-Slip Gym Sports Fitness Exercise Yoga Towel" located at <https://yourweavers.en.alibaba.com/product/60576710693-220315306/New_Microfiber_Suede_Non_Slip_Gym_Sports_Fitness_Excercise_Yoga_Tow>, accessed on Aug. 22, 2017, 7 pgs.

(Continued)

Primary Examiner — Kevin R Rudzinski

Assistant Examiner — Clare Ann Gannon

(74) *Attorney, Agent, or Firm* — Taylor English Duma LLP

(57) **CLAIM**

I claim the ornamental design for a towel seat cover, as shown and described.

DESCRIPTION

FIG. 1 is a top plan view of a towel seat cover, showing the new design in a flat position.

FIG. 2 is a bottom plan view thereof.

FIG. 3 is an enlarged detail view thereof, taken from area 3 of FIG. 1.

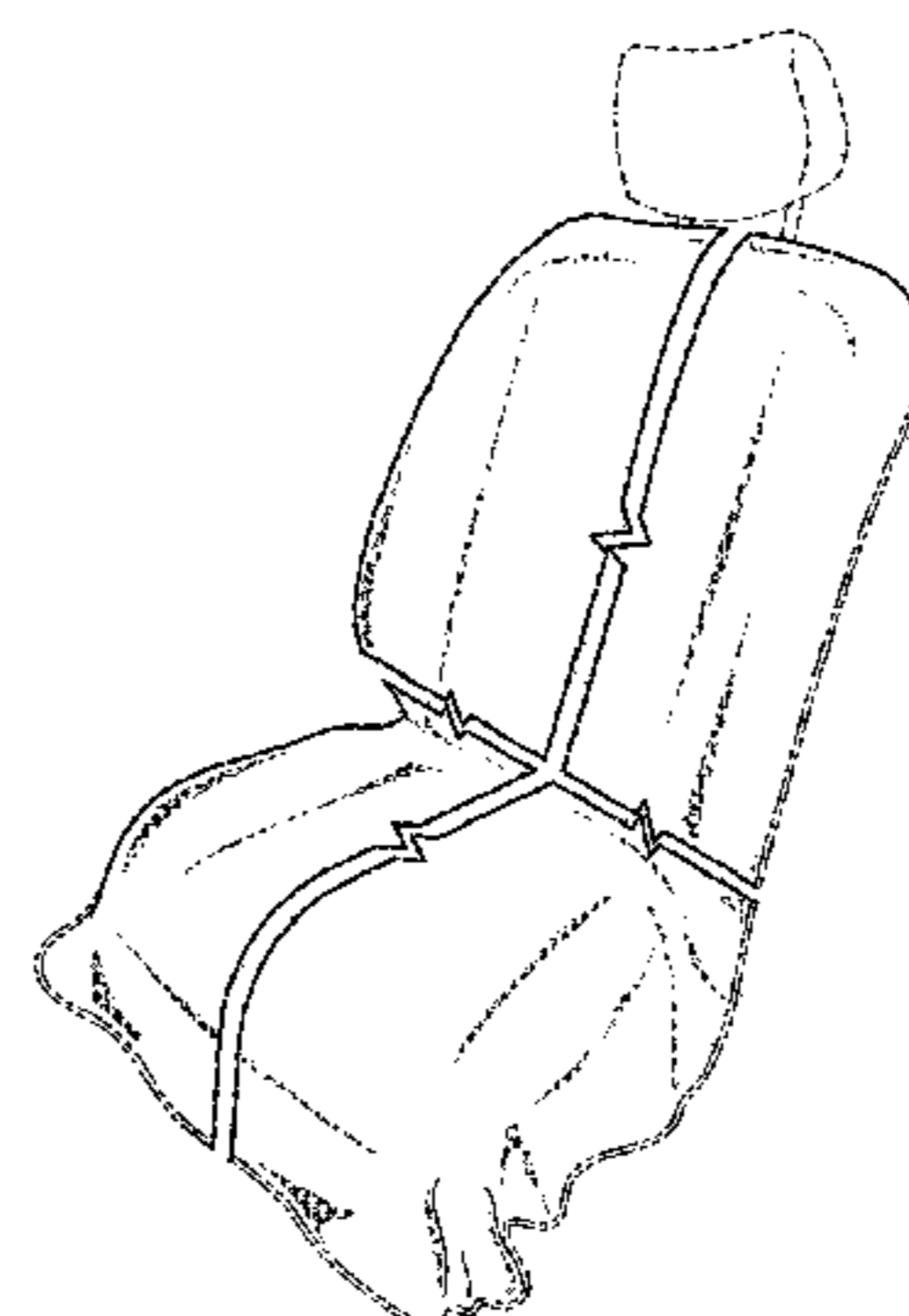
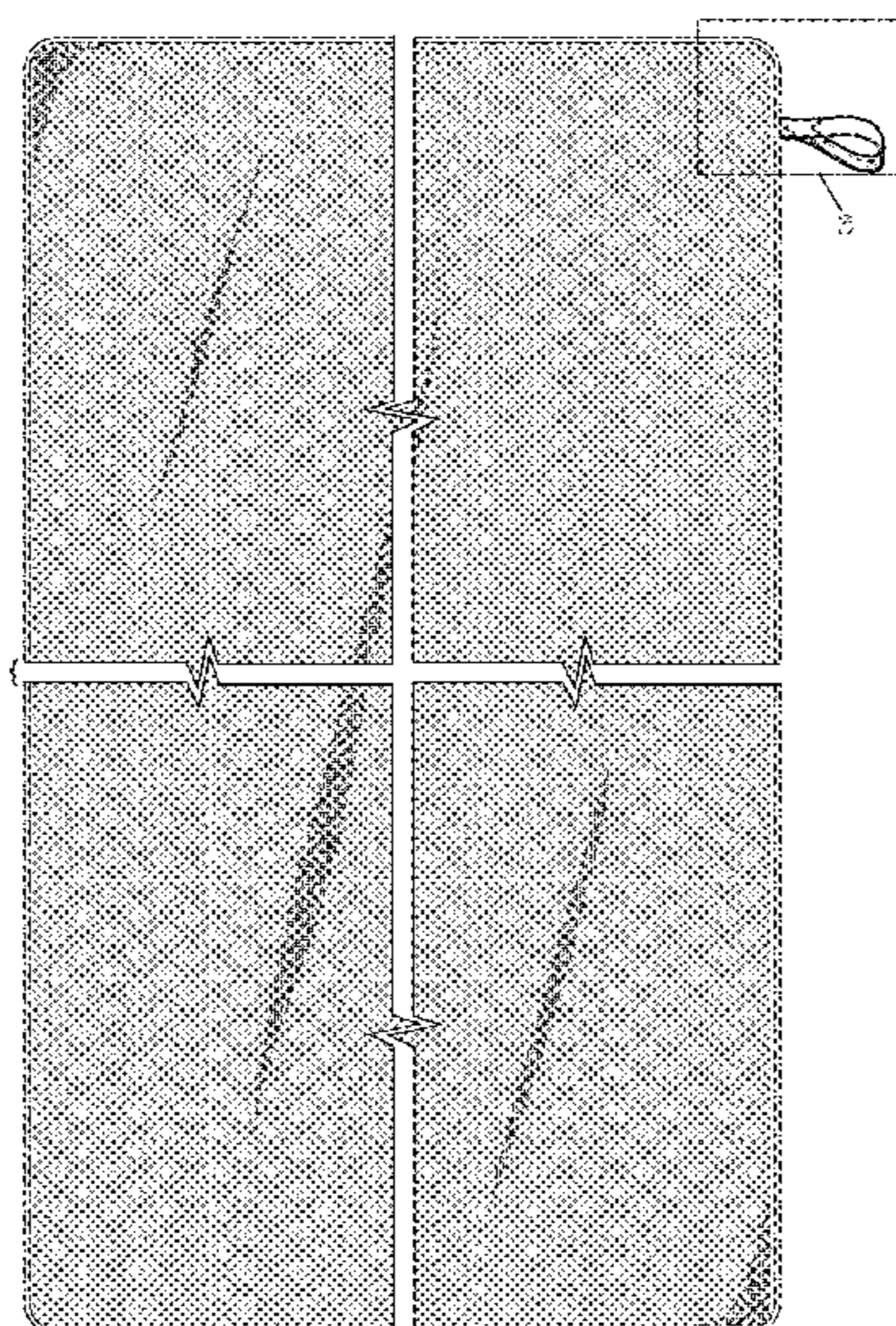
FIG. 4 is a sectional view thereof, taken from line 4-4 in FIG. 3.

FIG. 5 is a perspective view thereof, showing the towel seat cover in a position of use with a vehicle seat; and,

FIG. 6 is a perspective view of the claimed design of FIG. 1 thereof, showing the towel seat cover in a rolled position with a strap of the towel seat cover wrapped around the remainder of the towel seat cover.

The dot-dash lines depict portions of the towel seat cover that form no part of the claimed design. All other broken lines depict environment that form no part of the claimed design. The break lines shown in FIGS. 1, 2, and 5 symbolize breaks in the length of the article in which the claimed design is embodied. The appearance of any portion of the article between the break lines forms no part of the claimed design.

1 Claim, 4 Drawing Sheets



(56)

References Cited

U.S. PATENT DOCUMENTS

1,607,366 A * 11/1926 Reitzes A47L 23/10
15/222

1,882,485 A 10/1932 Clements

2,754,532 A * 7/1956 Kanehl A41B 15/00
15/209.1

3,199,916 A 8/1965 Chiarenza

3,967,668 A * 7/1976 Franco A45C 3/00
383/4

D274,108 S 6/1984 Trotman et al.

4,529,248 A 7/1985 Trotman et al.

4,621,003 A * 11/1986 O’Kane B32B 3/06
428/71

D294,319 S 2/1988 Troup et al.

4,969,683 A 11/1990 Wallace et al.

D316,483 S 4/1991 Haack

D339,951 S * 10/1993 Parkison G02C 13/006
D6/608

D342,405 S 12/1993 Hazel

5,448,938 A 9/1995 Fernandez et al.

5,494,330 A 2/1996 Fotsch

5,687,445 A * 11/1997 Hocking G02C 13/006
15/104.93

D394,924 S * 6/1998 Julien D30/101

D416,741 S * 11/1999 Denney D6/596

6,089,659 A 7/2000 Toyota

6,338,527 B1 1/2002 Toyota et al.

6,648,410 B2 11/2003 Sparks

D498,107 S * 11/2004 Sheppard A45C 3/00
D6/608

D538,725 S * 3/2007 Eskandry D12/203

7,374,240 B2 5/2008 Gold et al.

D581,726 S * 12/2008 Shamoon D7/387

7,607,732 B2 10/2009 Beroth et al.

D611,751 S 3/2010 Siklosi

7,878,588 B2 2/2011 Snedeker

7,931,335 B1 4/2011 Siklosi et al.

D646,102 S * 10/2011 Margalit A47L 23/10
D6/608

D680,360 S * 4/2013 Ogawa D6/611

D707,063 S 6/2014 Daley

D713,176 S * 9/2014 Shiheiber D6/608

D713,654 S * 9/2014 Robbins, III D6/582

8,870,283 B2 10/2014 Daley

D716,585 S 11/2014 Peterson

D728,973 S 5/2015 Daley

D729,546 S 5/2015 Daley

9,045,067 B2 6/2015 Long et al.

D734,562 S * 7/2015 Steidle D29/118

D766,018 S * 9/2016 Coward D6/608

D768,412 S 10/2016 Ngo

9,610,876 B2 4/2017 Allos

D807,667 S * 1/2018 Cooper A41B 15/00
D6/608

D807,668 S 1/2018 Moore

D821,784 S * 7/2018 Can E04F 15/10
D6/608

10,434,909 B2 10/2019 Anchors, Jr.

2002/0096919 A1 7/2002 Sparks

2005/0225135 A1 * 10/2005 Moses B60N 2/60
297/228.1

2007/0170757 A1 7/2007 Lanham et al.

2007/0262624 A1 11/2007 Snedeker

2008/0179926 A1 * 7/2008 Kushner A47C 31/11
297/220

2011/0272982 A1 11/2011 McDonald

2012/0210517 A1 * 8/2012 Patel A47G 9/062
8/137

2013/0269112 A1 * 10/2013 Legare A47G 9/062
5/648

2014/0322490 A1 * 10/2014 Vreys A47G 27/0206
428/156

2015/0097402 A1 4/2015 Bee

2015/0291071 A1 10/2015 Thompson

2016/0317897 A1 * 11/2016 Mariano A63B 26/003

2017/0189742 A1 * 7/2017 Mangum A63B 21/4037

2018/0027987 A1 2/2018 Calhoun et al.

2019/0263300 A1 8/2019 Anchors, Jr.

2019/0263301 A1 8/2019 Anchors

FOREIGN PATENT DOCUMENTS

FR 2999125 6/2014

FR 3028160 6/2017

OTHER PUBLICATIONS

aliexpress.com; Article entitled: “Non-Slip Car Seat Cover”, located at (<<http://www.aliexpress.com/item-img/Quality-3pcs-Non-slip-universal-car-seat-cover-set-car-seat-cushion-car-accessories-interior-auto/2020411643.html#>>, accessed on Aug. 17, 2017, 3 pgs.

amazon.com; Article entitled: “Poppypet PT16051103 Heavy Duty Waterproof Seat Covers, Black”, located at <https://www.amazon.co.uk/Poppypet-Protector-Waterproof-Hammock-Travel/dp/B01FJQQ8HI/ref=sr_1_19?ie=UTF8&qid=1469444664&sr=8-19&keywords=pet+car+seat+protector>, accessed on Aug. 17, 2017, 6 pgs.

Happegear, article entitled: “How it works”, located at <<https://happegear.com/pages/how-it-works>>, accessed on Aug. 22, 2017, 2 pgs.

Happegear; article entitled: “Happeseat® Moisture Wicking Microfiber Car Seat Cover”, located at <<https://happegear.com/collections/happegear/products/happeseat-moisture-wicking-microfiber-car-seat-cover#.WZyKNj594-W/>>, accessed on Aug. 22, 2017, 3 pgs.

Anchors, Jr., Jerry K.; Non-Final Office Action for U.S. Appl. No. 15/906,854, filed Feb. 27, 2018, dated Apr. 2, 2019, 12 pgs.

Anchors, Jr., Jerry K.; Notice of Allowance for U.S. Appl. No. 15/906,854, filed Feb. 27, 2018, dated May 31, 2019, 5 pgs.

Anchors, Jr., Jerry K.; Corrected Notice of Allowance for U.S. Appl. No. 15/906,854, filed Feb. 27, 2018, dated Aug. 19, 2019, 9 pgs.

Anchors, Jr., Jerry K.; Non-Final Office Action for U.S. Appl. No. 16/404,051, filed May 5, 2019, dated Aug. 20, 2019, 14 pgs.

Anchors, Jr., Jerry K.; Non-Final Office Action for U.S. Appl. No. 29/636,567, filed Feb. 9, 2018, dated Jun. 25, 2019, 18 pgs.

Anchors, Jr., Jerry K.; Corrected Notice of Allowance for U.S. Appl. No. 29/636,567, filed Feb. 9, 2018, dated Oct. 28, 2019, 10 pgs.

Anchors, Jr., Jerry K.; Notice of Allowance for Design Patent U.S. Appl. No. 29/636,567, filed Feb. 9, 2018, dated Oct. 3, 2019, 5 pgs.

* cited by examiner

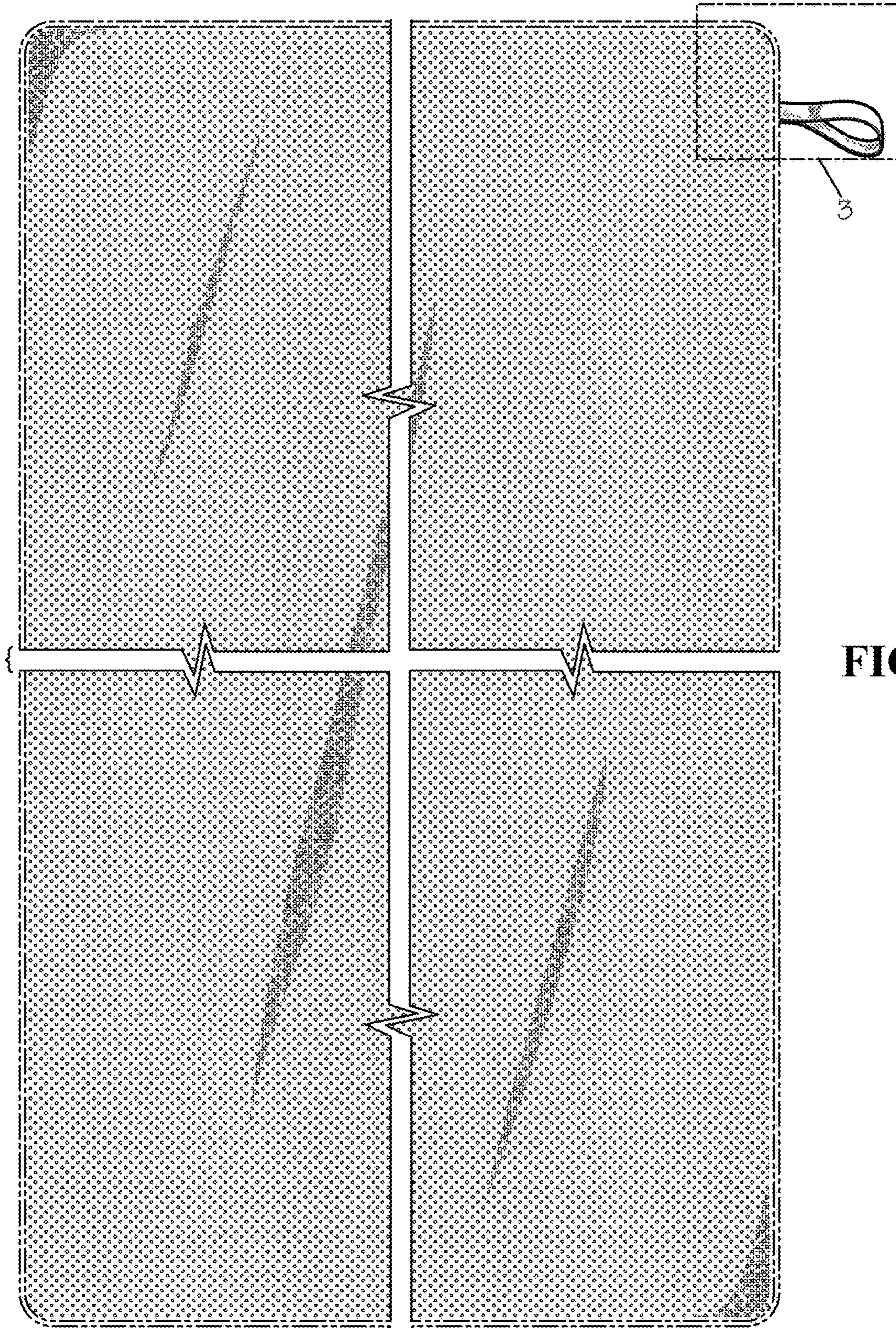
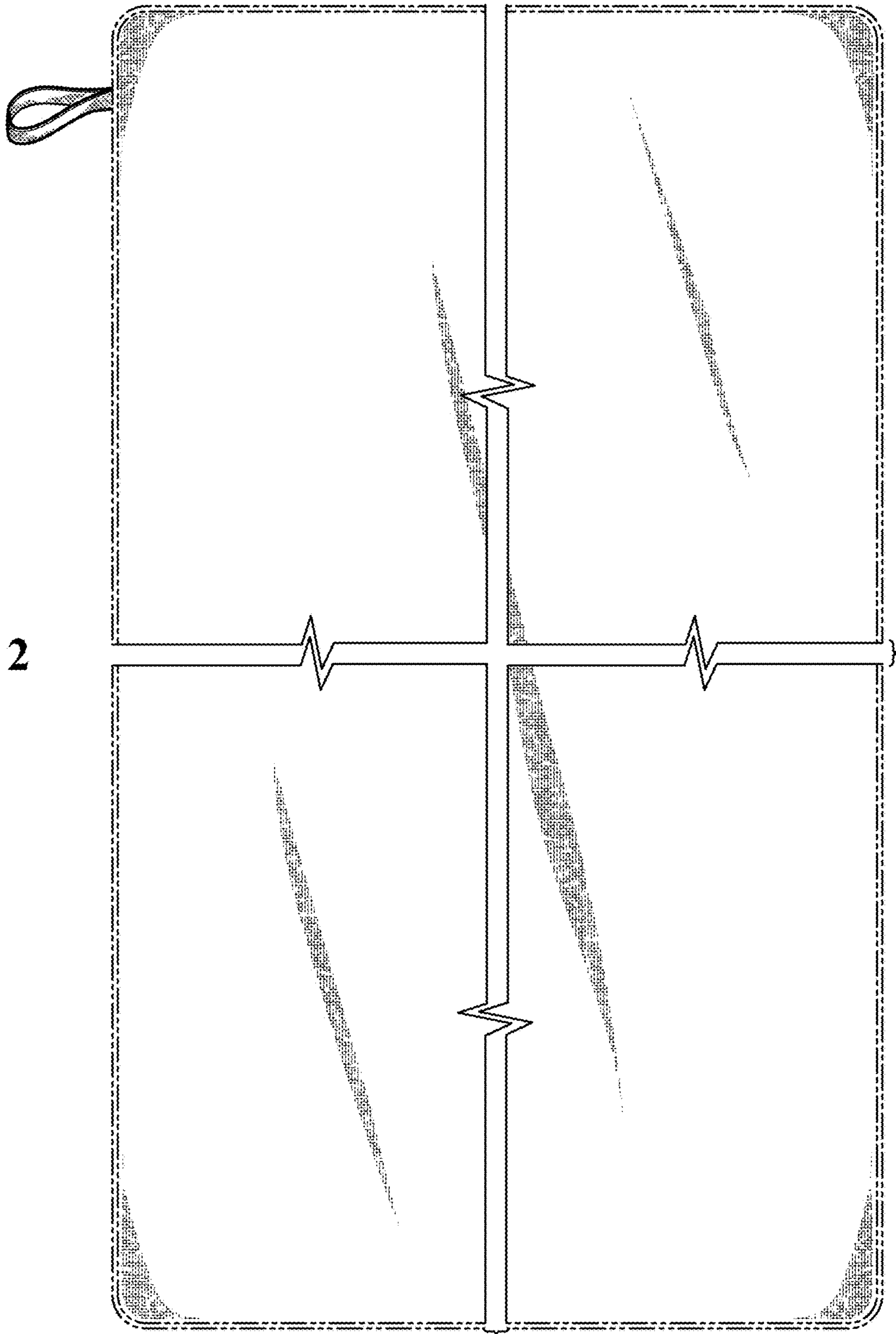


FIG. 1

FIG. 2



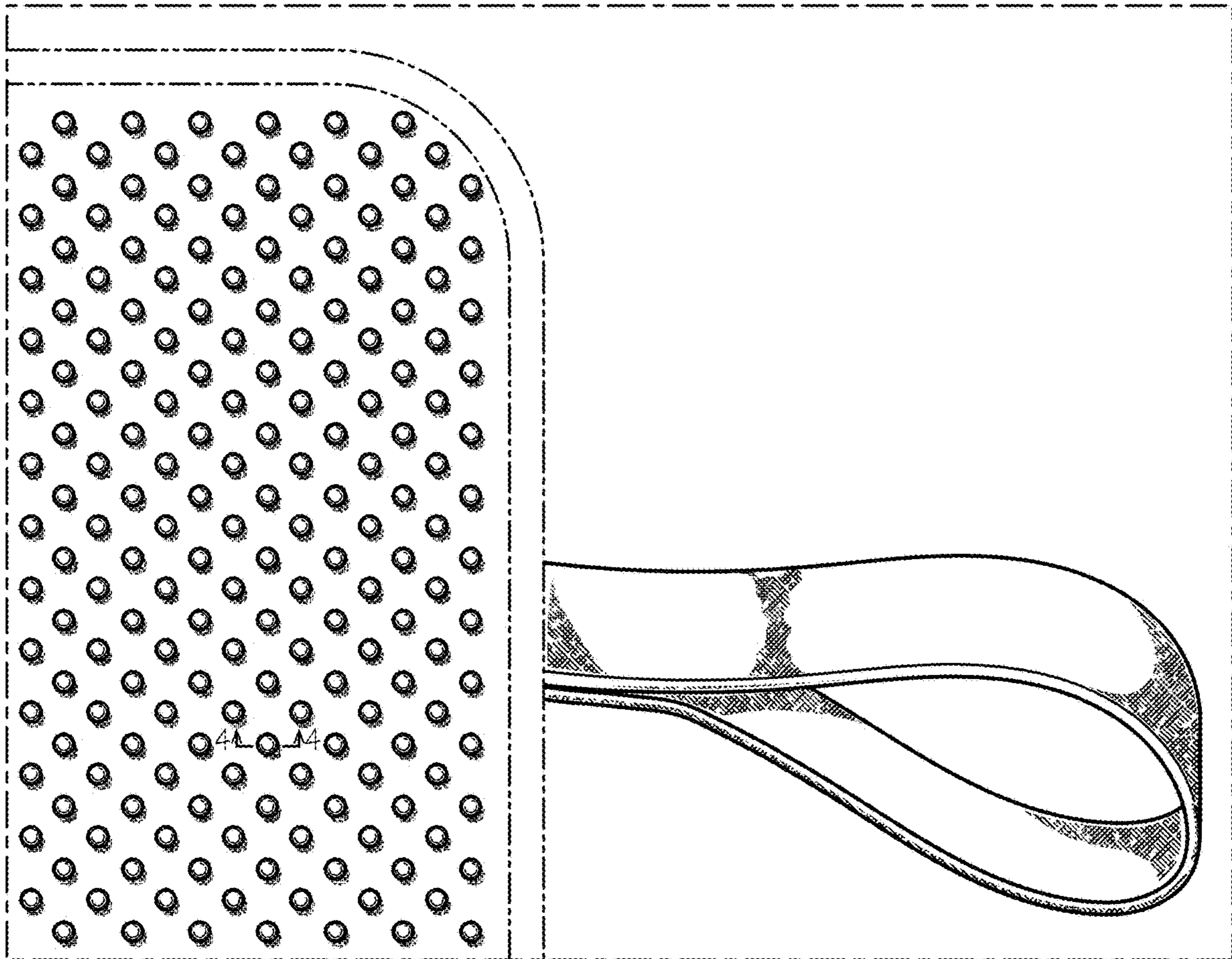


FIG. 3

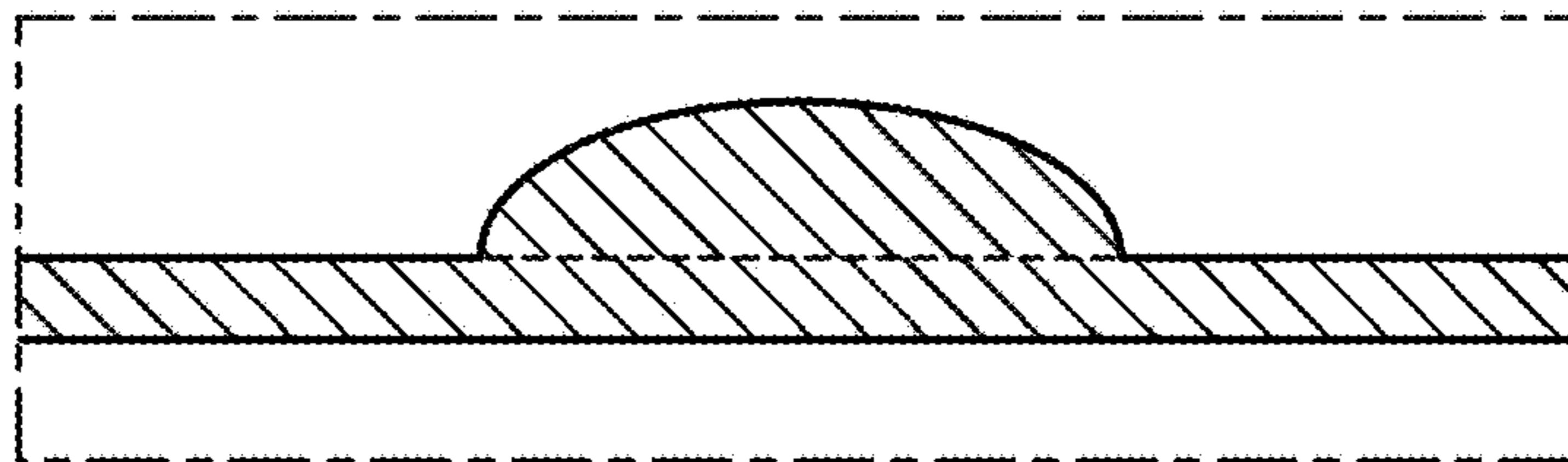


FIG. 4

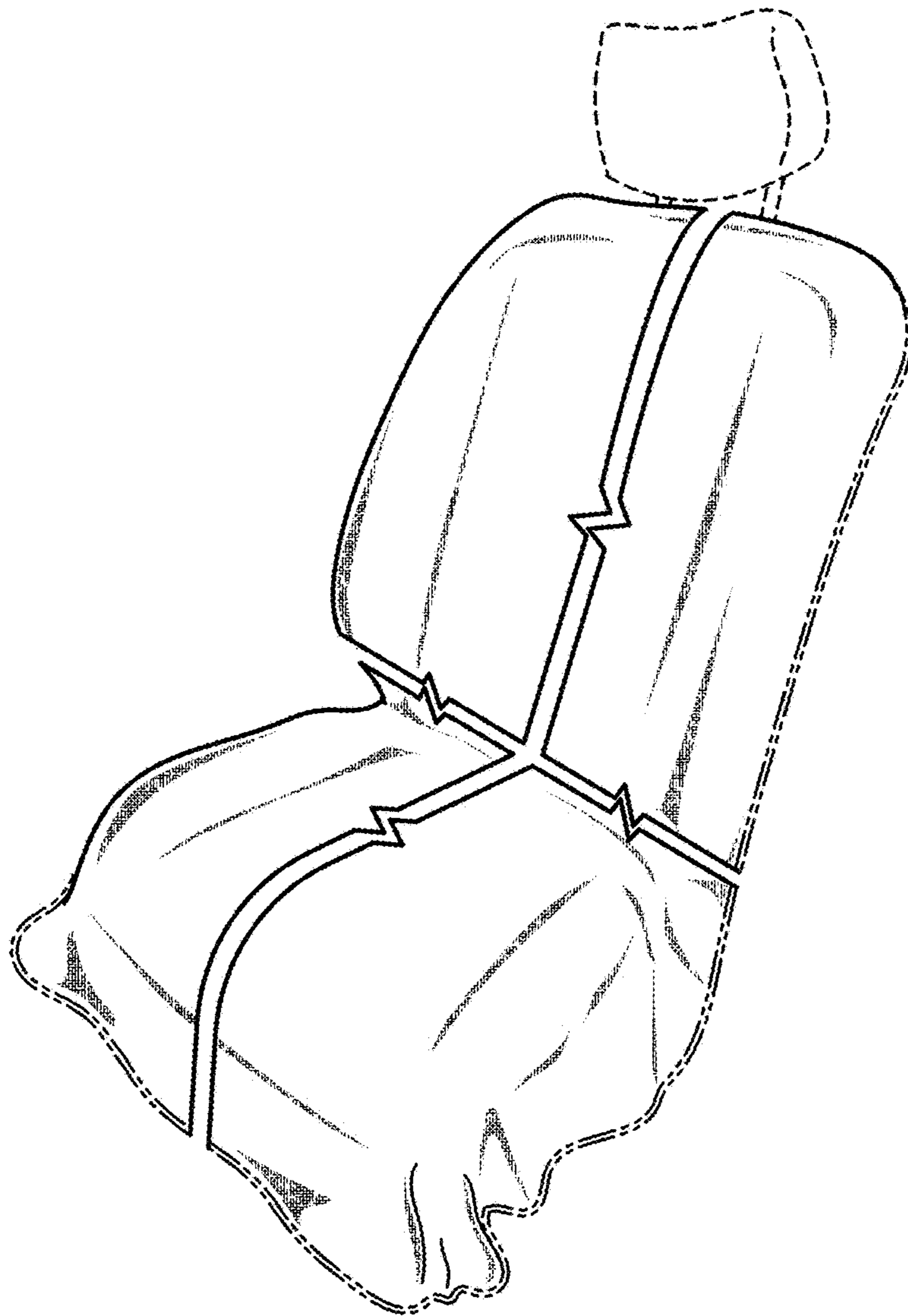


FIG. 5

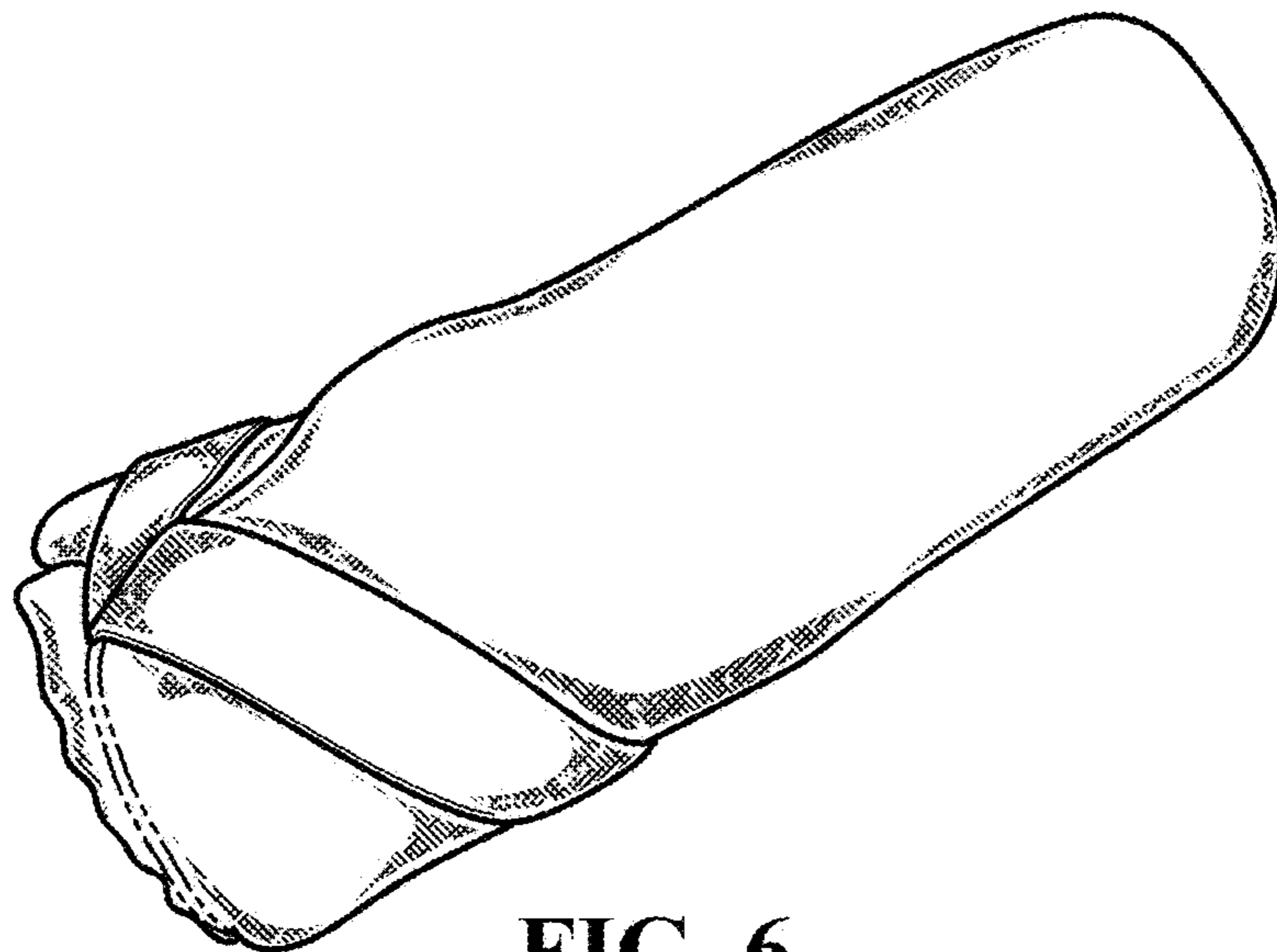


FIG. 6