



US00D876112S

(12) **United States Design Patent** (10) **Patent No.:** **US D876,112 S**  
**McLellan et al.** (45) **Date of Patent:** **\*\* Feb. 25, 2020**

(54) **CHAIR**

(56) **References Cited**

(71) Applicants: **Jamie McLellan**, San Francisco, CA (US); **Timothy Brown**, San Francisco, CA (US); **Lisa Hopey**, San Francisco, CA (US); **Ted Galperin**, San Francisco, CA (US); **Fernando Music**, San Francisco, CA (US)

U.S. PATENT DOCUMENTS

D82,161	S	*	9/1930	Kolker	.....	D6/364
D181,669	S	*	12/1957	Paul	.....	D6/364
D203,041	S	*	11/1965	Regan	.....	D6/334
D212,009	S	*	8/1968	Madlem	.....	D30/118
3,604,749	A	*	9/1971	Parmett	.....	A47C 3/04 297/239
D223,535	S	*	5/1972	Ghyezy	.....	D6/364
D224,867	S	*	10/1972	Burke	.....	D6/364
D226,793	S	*	5/1973	Watamura	.....	D6/364
D234,933	S	*	4/1975	Burke	.....	D6/349
D242,310	S	*	11/1976	Fister	.....	D6/373
D244,569	S	*	6/1977	Laroye	.....	D6/334
D264,898	S	*	6/1982	Baker	.....	D6/364
D286,587	S	*	11/1986	Culler	.....	D6/334
D286,588	S	*	11/1986	Culler	.....	D6/334
D550,464	S	*	9/2007	Bauchet	.....	D6/334
D610,365	S	*	2/2010	Young-il	.....	D6/364
D628,824	S	*	12/2010	Vignelli	.....	D6/364
D655,927	S	*	3/2012	Orlandini	.....	D6/334
D670,508	S	*	11/2012	Barber	.....	D6/364
D746,075	S	*	12/2015	Lievore	.....	D6/364

(72) Inventors: **Jamie McLellan**, San Francisco, CA (US); **Timothy Brown**, San Francisco, CA (US); **Lisa Hopey**, San Francisco, CA (US); **Ted Galperin**, San Francisco, CA (US); **Fernando Music**, San Francisco, CA (US)

(73) Assignee: **Allbirds, Inc.**, San Francisco, CA (US)

(\*\*) Term: **15 Years**

(21) Appl. No.: **29/668,723**

(22) Filed: **Nov. 1, 2018**

(51) **LOC (12) Cl.** ..... **06-01**

(52) **U.S. Cl.**  
USPC ..... **D6/334**

(58) **Field of Classification Search**  
USPC ..... D6/334, 336, 358, 360, 361, 362, 364, D6/368, 369, 370, 371, 373, 375, 376, D6/377, 379, 380, 381; D5/47; D30/118  
CPC ..... A47C 1/026; A47C 1/032; A47C 1/143; A47C 1/146; A47C 3/04; A47C 4/02; A47C 4/12; A47C 4/46; A47C 5/06; A47C 5/10; A47C 5/12; A47C 5/125; A47C 7/40; A47C 15/006; A47C 17/162; A47C 17/1753; A47C 20/04; A47C 20/08; A47C 23/24; A47C 31/11; Y10S 297/02; Y10S 297/90

See application file for complete search history.

(Continued)

*Primary Examiner* — Kevin K Rudzinski

*Assistant Examiner* — Paul D Bohannon

(74) *Attorney, Agent, or Firm* — Schwabe, Williamson & Wyatt, P.C.

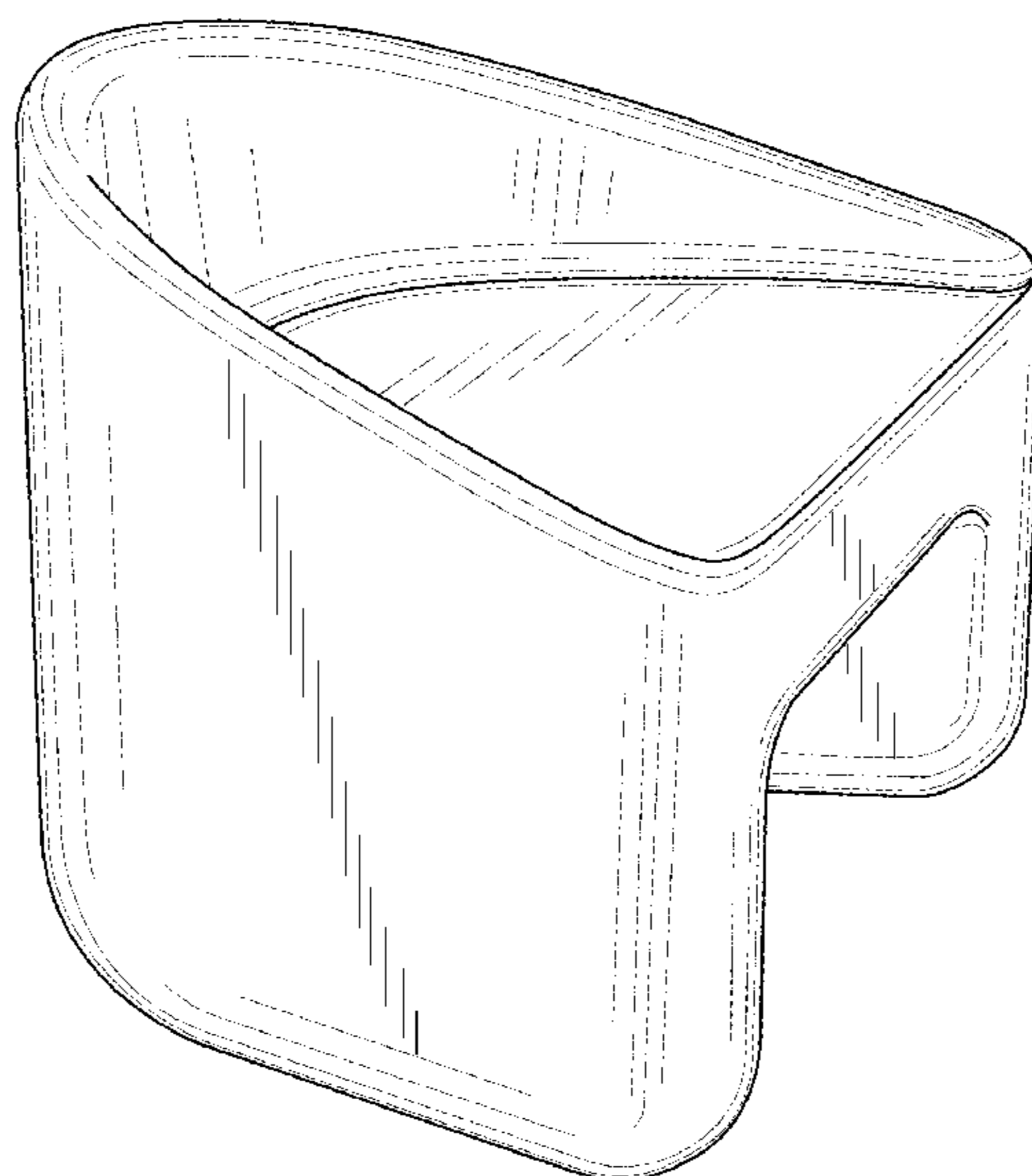
(57) **CLAIM**

We claim the ornamental design for a chair, as shown and described.

**DESCRIPTION**

FIG. 1 is a perspective view of a chair, showing our new design;  
FIG. 2 is a left side view thereof;  
FIG. 3 is a right side view thereof;  
FIG. 4 is a front view thereof;  
FIG. 5 is a back view thereof;  
FIG. 6 is a top view thereof; and,  
FIG. 7 is a bottom view thereof.

**1 Claim, 4 Drawing Sheets**



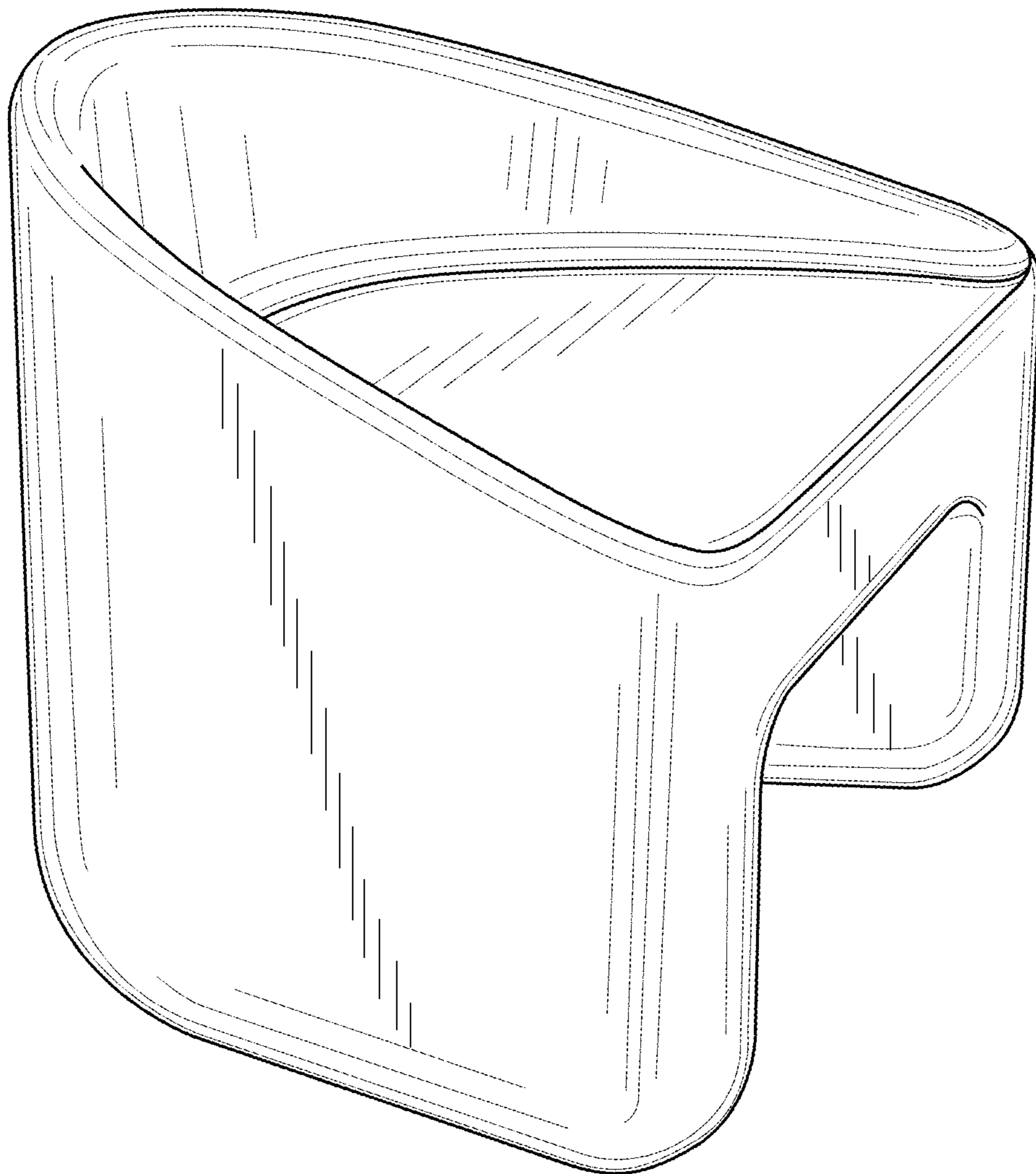
(56)

**References Cited**

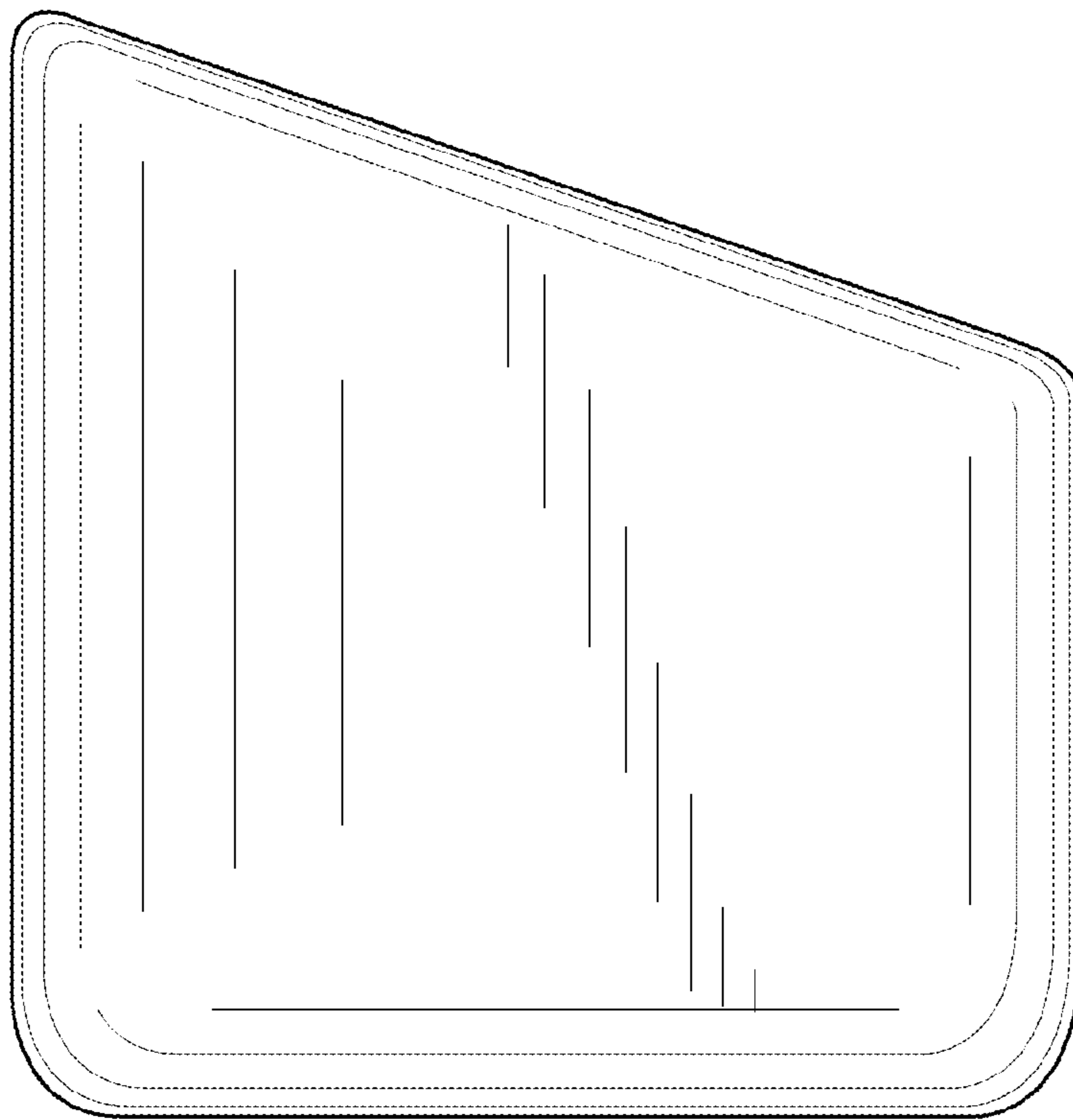
U.S. PATENT DOCUMENTS

D859,864 S \* 9/2019 Lievore ..... D6/364  
D859,868 S \* 9/2019 Lievore ..... D6/375  
D859,869 S \* 9/2019 Lievore ..... D6/375

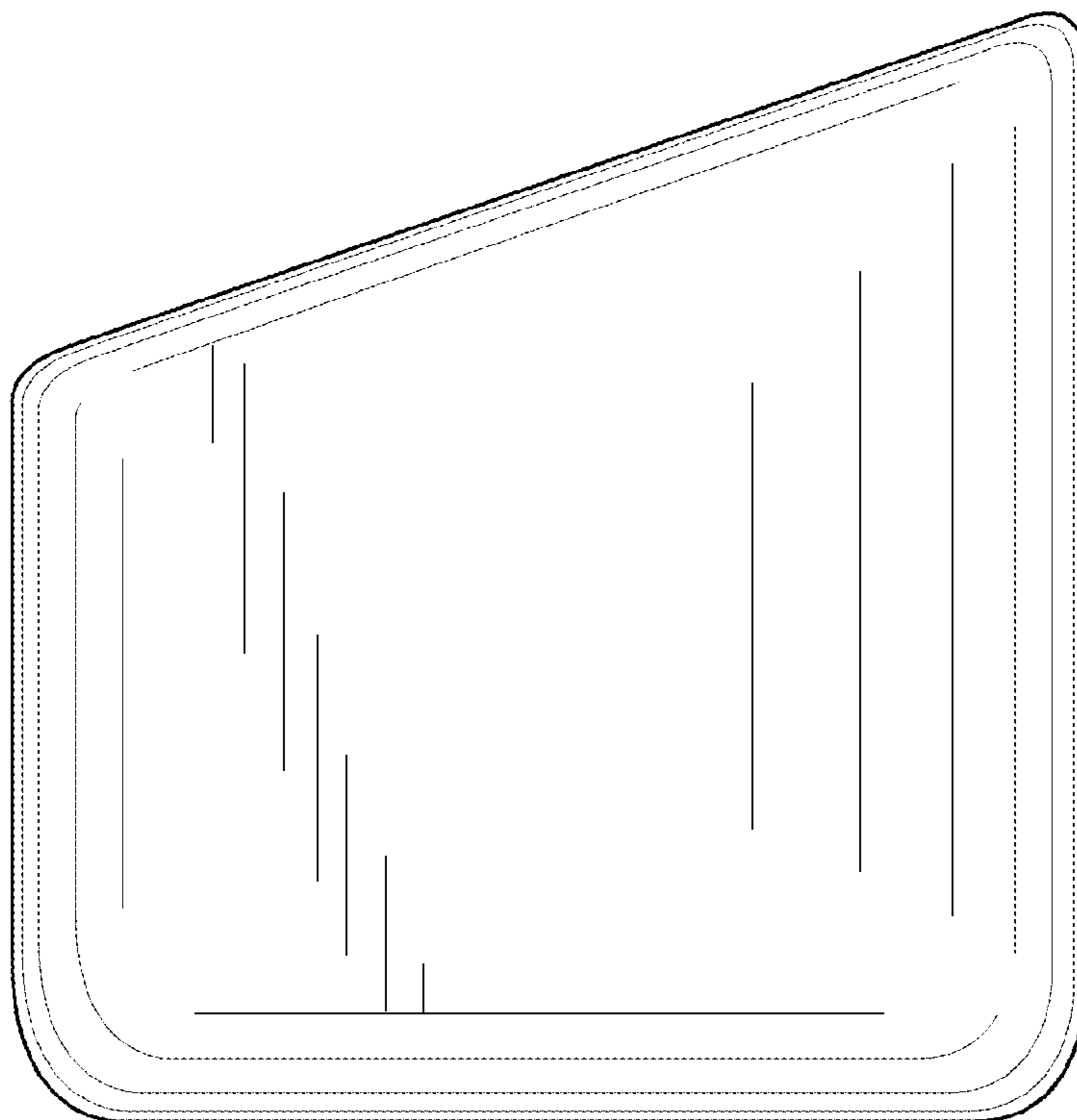
\* cited by examiner



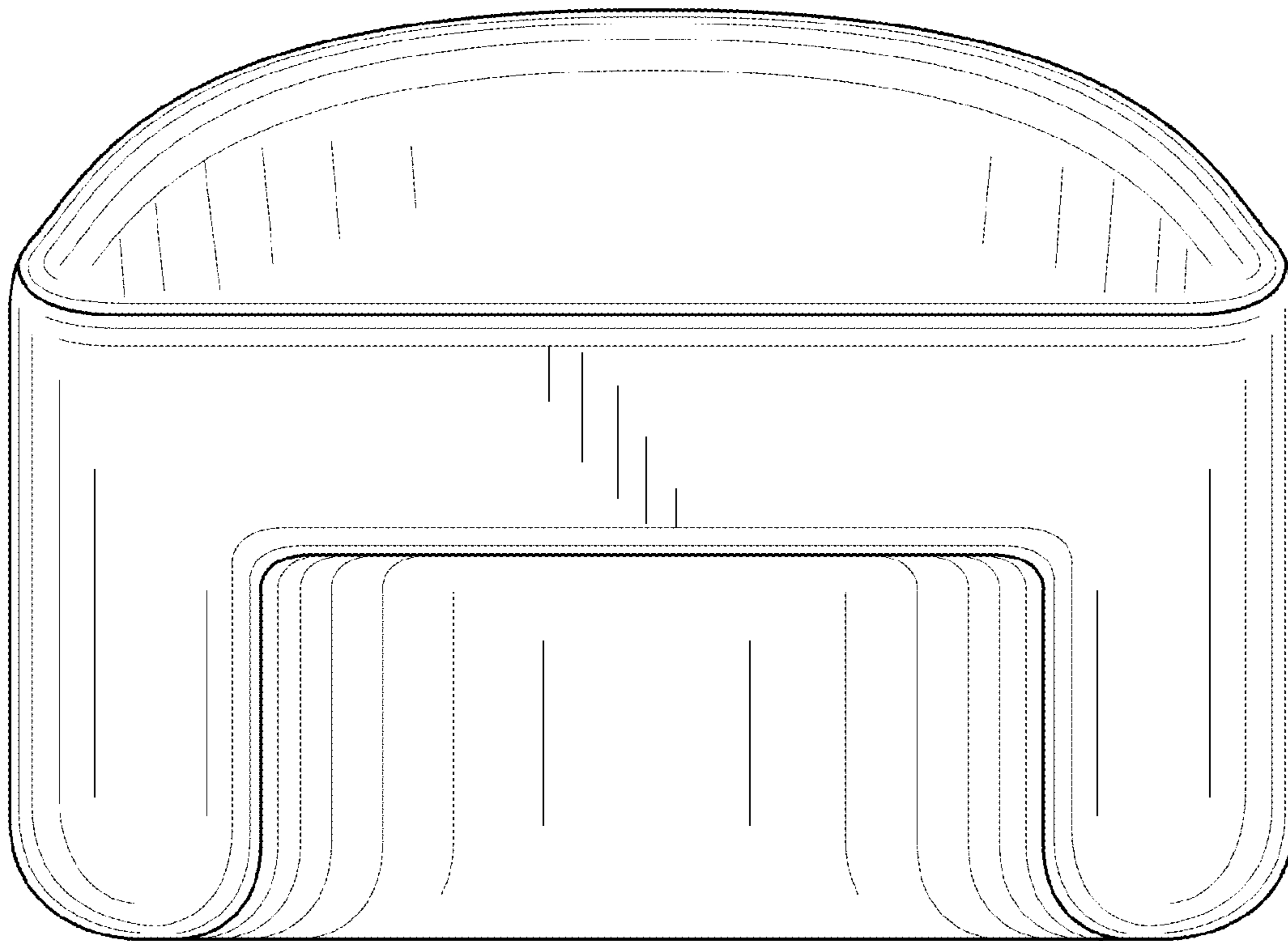
**FIG. 1**



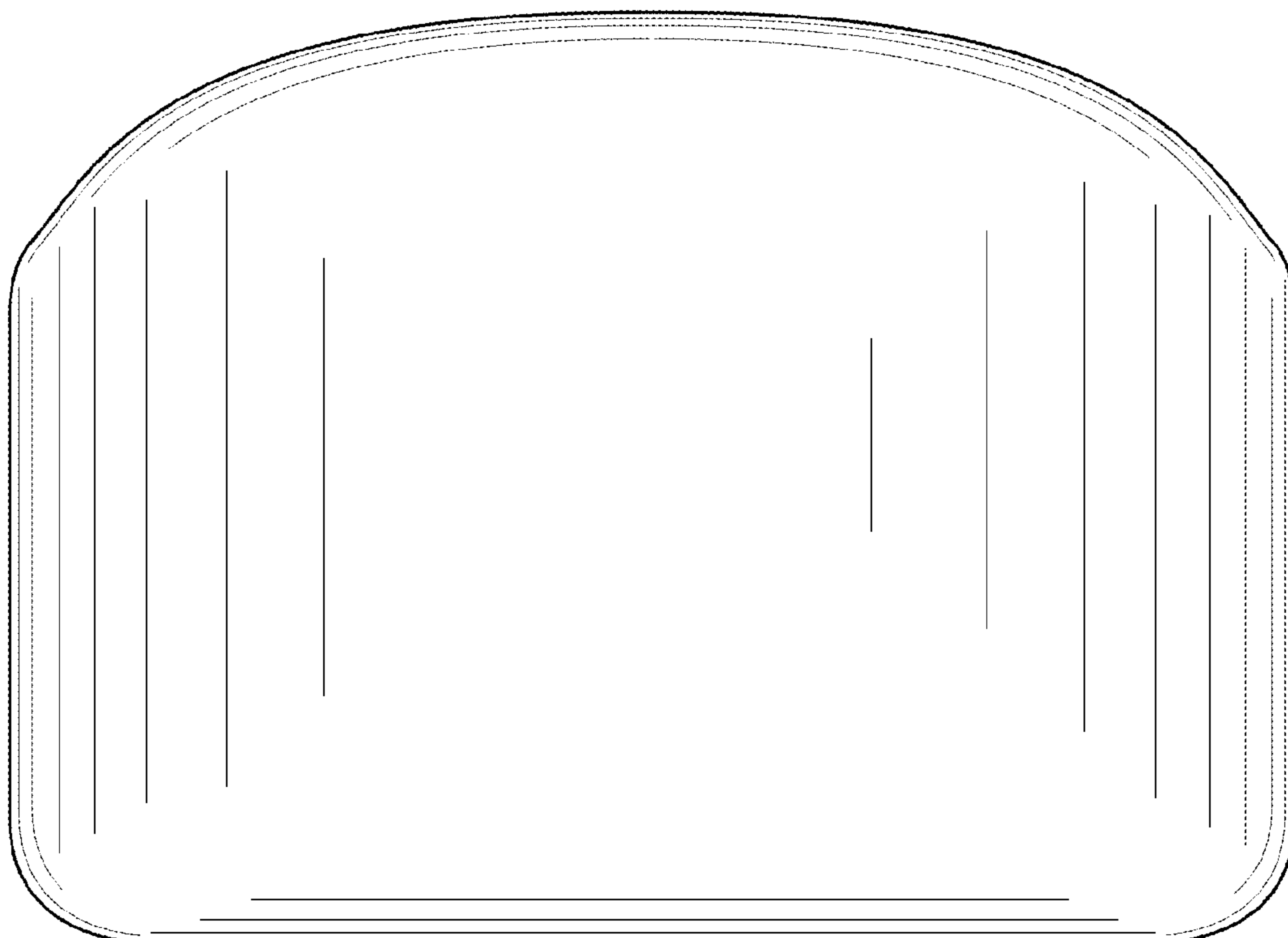
**FIG. 2**



**FIG. 3**

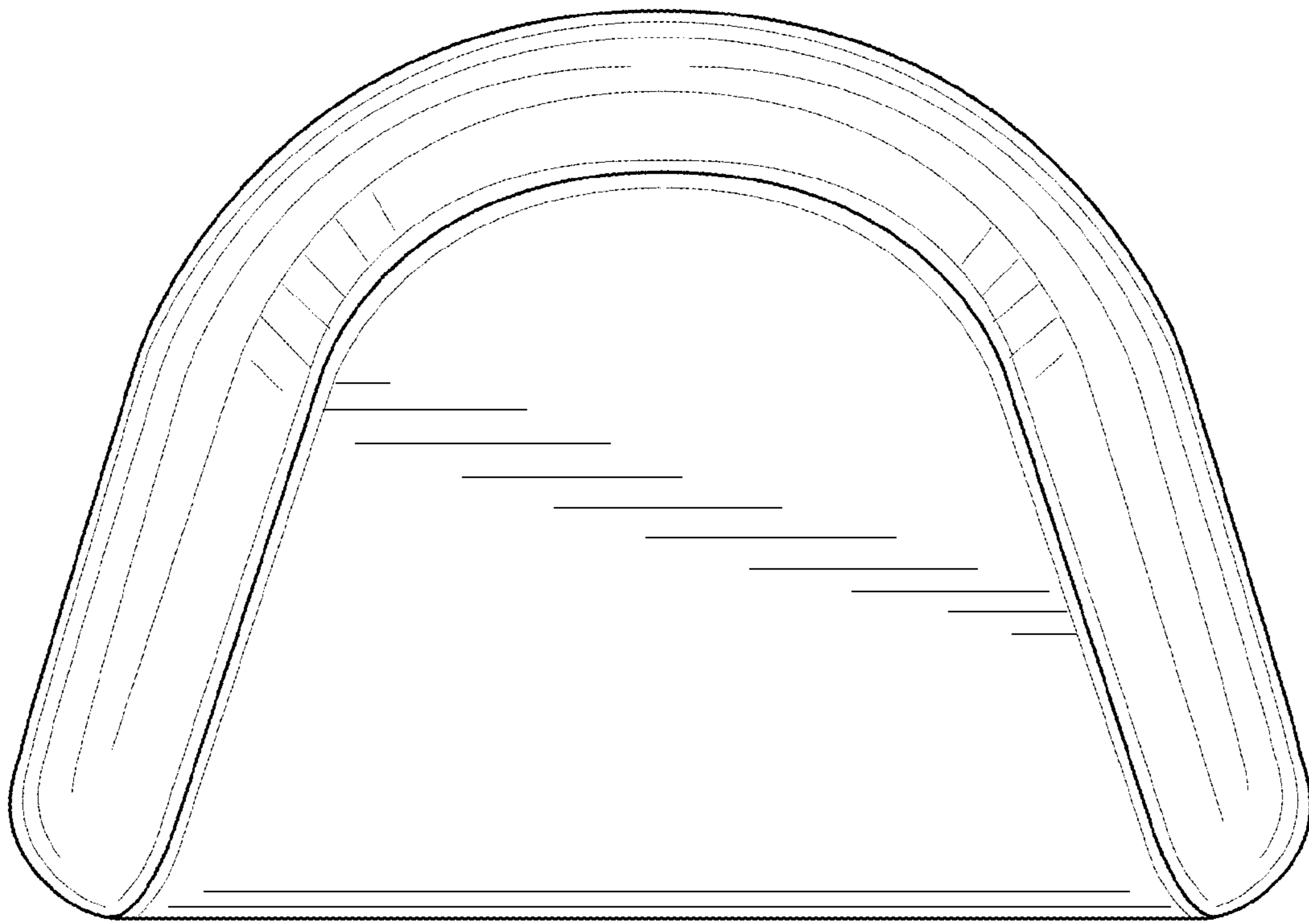


**FIG. 4**

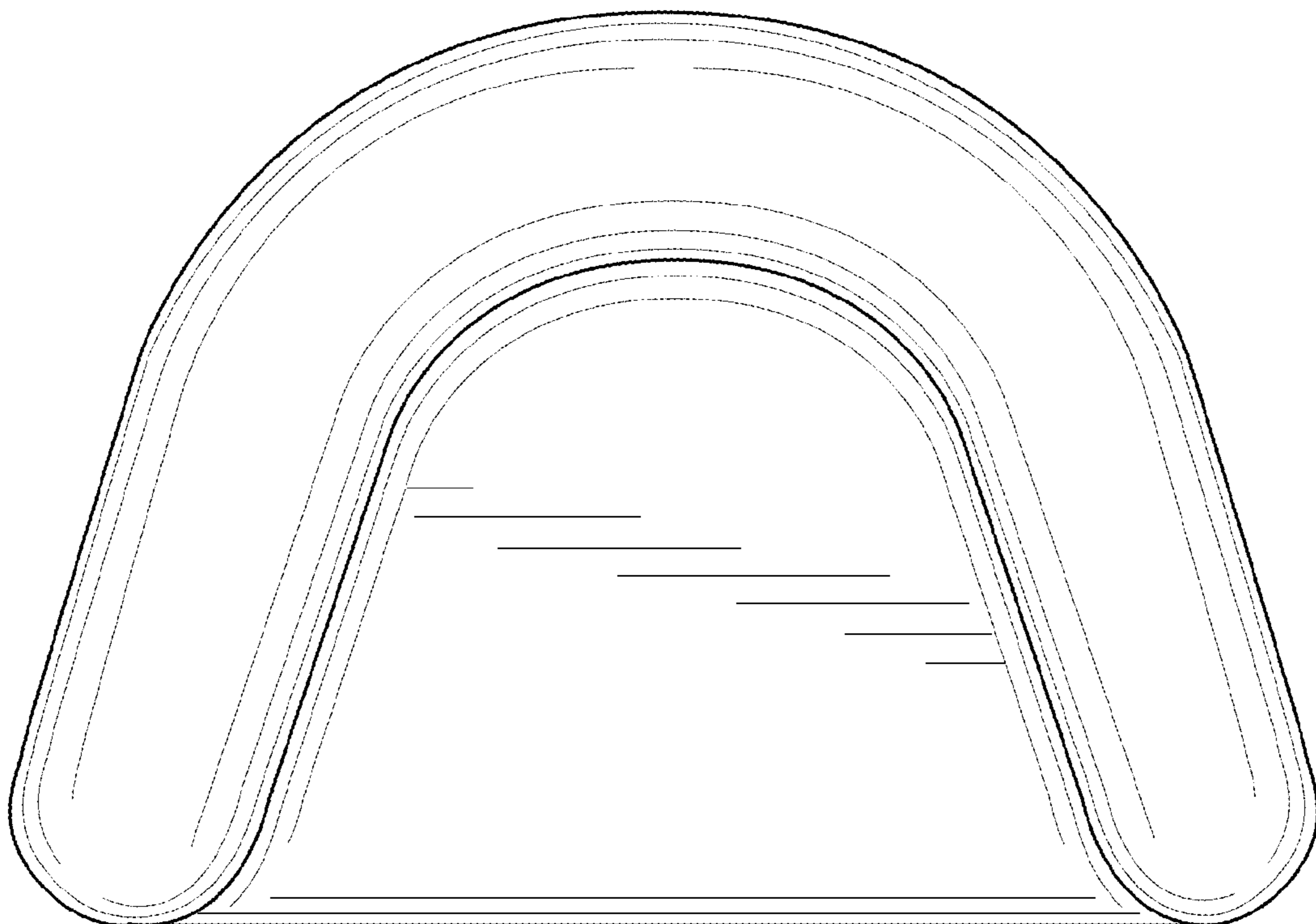


**FIG. 5**





**FIG. 6**



**FIG. 7**